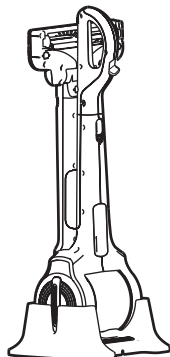




PIVOT CORDLESS VAC

INSTRUCTION MANUAL

Catalog Number PSV1800



THANK YOU FOR CHOOSING BLACK & DECKER!
GO TO WWW.BLACKANDDECKER.COM/NEWOWNER
TO REGISTER YOUR NEW PRODUCT.

**BEFORE RETURNING THIS PRODUCT
FOR ANY REASON PLEASE CALL**

1-800-544-6986

BEFORE YOU CALL, HAVE THE CATALOG No. AND DATE CODE AVAILABLE. IN MOST CASES, A **BLACK & DECKER** REPRESENTATIVE CAN RESOLVE THE PROBLEM OVER THE PHONE. IF YOU HAVE A SUGGESTION OR COMMENT, GIVE US A CALL. YOUR FEEDBACK IS VITAL TO BLACK & DECKER.

**To purchase replacement filters
call 1-888-678-7278.**

**SAVE THIS MANUAL FOR FUTURE REFERENCE.
FOR HOUSEHOLD USE ONLY.**

VEA EL ESPAÑOL EN LA CONTRAPORTADA.

INSTRUCTIVO DE OPERACIÓN, CENTROS DE SERVICIO Y PÓLIZA DE GARANTÍA.
ADVERTENCIA: LEÁSE ESTE INSTRUCTIVO ANTES DE USAR EL PRODUCTO.

IMPORTANT SAFEGUARDS

When using electrical appliances, basic safety precautions should always be followed, including the following:

PLEASE READ AND UNDERSTAND ALL INSTRUCTIONS BEFORE USING THE UNIT.

SAFETY GUIDELINES - DEFINITIONS

It is important for you to read and understand this manual. The information it contains relates to protecting YOUR SAFETY and PREVENTING PROBLEMS. The symbols below are used to help you recognize this information.

⚠ DANGER: Indicates an imminently hazardous situation which, if not avoided, will result in death or serious injury.

⚠ WARNING: Indicates a potentially hazardous situation which, if not avoided, could result in death or serious injury.

⚠ CAUTION: Indicates a potentially hazardous situation which, if not avoided, may result in minor or moderate injury.

CAUTION: Used without the safety alert symbol indicates a potentially hazardous situation which, if not avoided, may result in property damage.

⚠ WARNING: Some household dust contains chemicals known to the State of California to cause cancer, birth defects or other reproductive harm such as asbestos and lead in lead based paint.

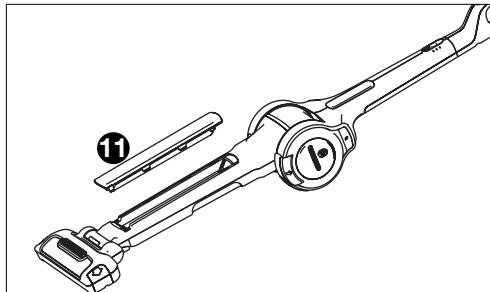
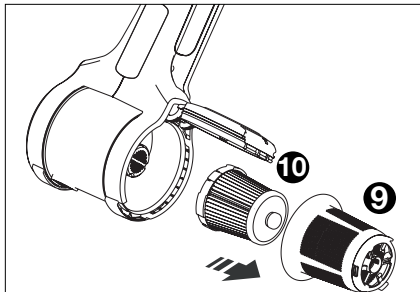
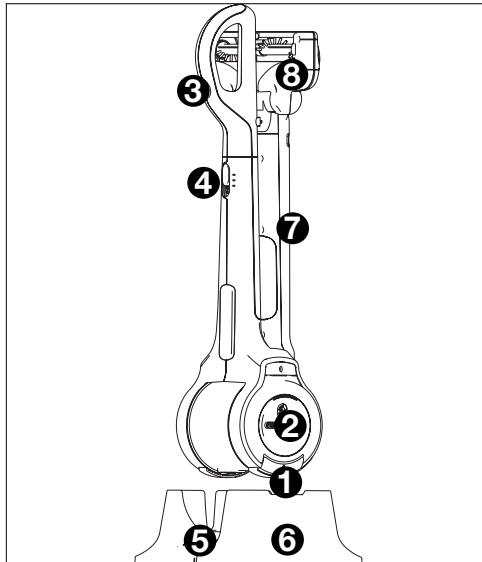
- ⚠ WARNING:** To reduce the risk of fire, electrical shock or injury:
- Close supervision is necessary when any appliance is used by or near children. Do not allow to be used as a toy.
 - **Shock Hazard.** To protect against risk of electrical shock, do not put unit or charging base in water or other liquid.
 - Do not use dry vacs to pick up liquids, toxic substances, flammable or combustible liquids such as gasoline or use in areas where they may be present.
 - Do not operate in the presence of explosives and/or flammable fumes or liquids.
 - **Shock Hazard.** Do not operate any appliance with a damaged cord or charger or after the appliance malfunctions, is left outdoors, dropped into water or is damaged in any manner. Return the appliance to any authorized service facility.
 - Do not abuse the cord. Never carry the charger or base by the cord or yank to disconnect from an outlet; instead grasp the charger and pull to disconnect. Keep cord away from heated surfaces. Do not pull cord around sharp edges or corners.
 - Do not allow the cord to hang over the edge of a table or counter or touch hot surfaces. The unit should be placed on the floor away from sinks and hot surfaces.
 - Do not use an extension cord. Plug the charger directly into an electrical outlet.
 - Use the charger only in a standard electrical outlet (120V/60Hz).
 - Do not attempt to use the charger with any other product; do not attempt to charge this product with any other charger. Use only the charger supplied by the manufacturer to recharge.
 - Keep hair, loose clothing, and all parts of body away from openings and moving parts.
 - **Shock Hazard.** Do not handle plug or appliance with wet hands.
 - Do not put any object into unit openings. Do not use with any openings blocked; keep free of dust, lint, hair, and anything that may reduce air flow.
 - **Fire Hazard.** Do not vacuum burning or smoking materials, such as lit cigarette butts, matches or hot ashes.

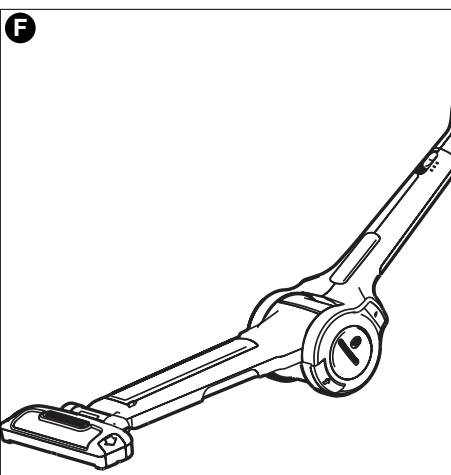
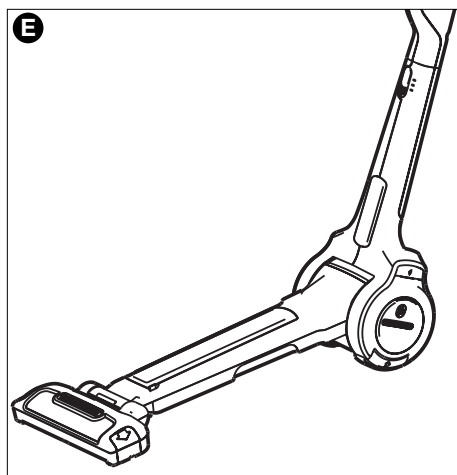
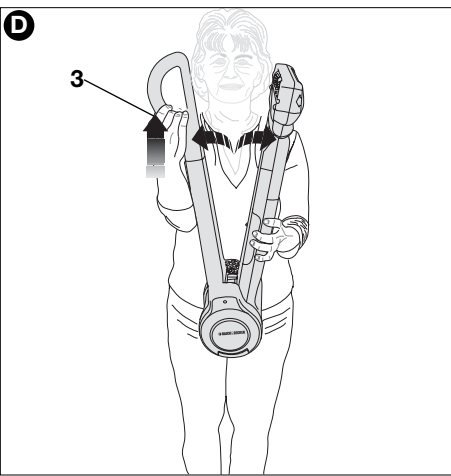
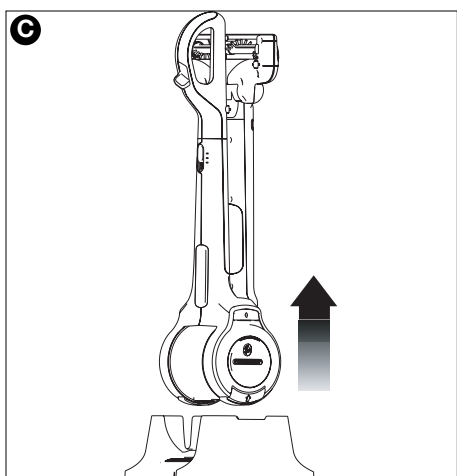
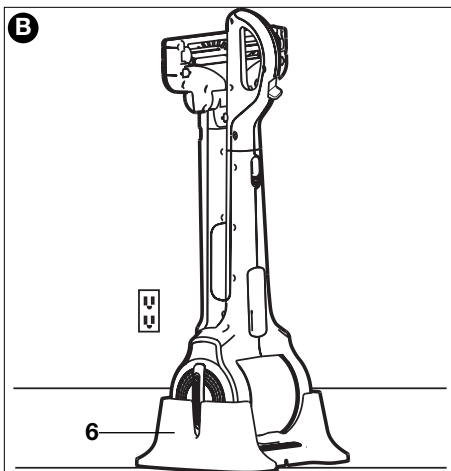
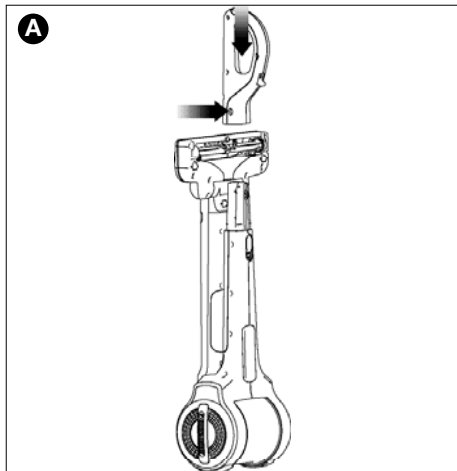
- Do not use on or near hot surfaces.
- Use extra caution when cleaning on stairs.
- This appliance is intended for household use only and not for commercial or industrial use.
- Use only as described in this manual. Use only manufacturer's recommended attachments.
- Unplug the charger from outlet before any routine cleaning or maintenance.
- This product includes rechargeable nickel cadmium batteries. Do not incinerate batteries as they will explode at high temperatures.
- Leaks from battery cells can occur under extreme conditions. If the liquid, which is a 20-35% solution of potassium hydroxide, gets on the skin (1) wash quickly with soap and water or (2) neutralize with a mild acid such as lemon juice or vinegar. If the liquid gets into the eyes, flush them immediately with clean water for a minimum of 10 minutes. Seek medical attention.
- Do not look into the air vents when the unit is switched on, as sometimes there is a possibility of small debris being discharged from the air vents, especially after cleaning / replacement of the filters as debris inside the unit can be disturbed.
- To prevent tripping accidents, store vacuum after each use.
- Do not pick up any sharp objects that may damage vacuum or filters.
- Do not operate the unit without both filters in place. Replace a damaged filter promptly.

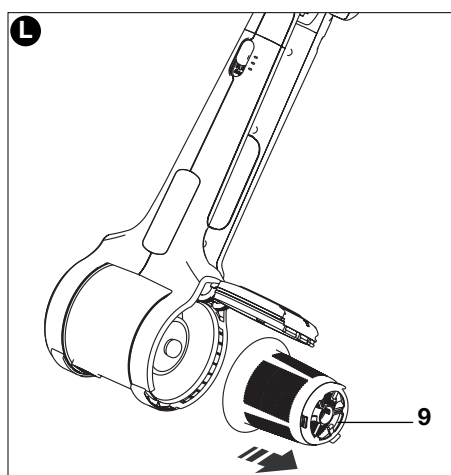
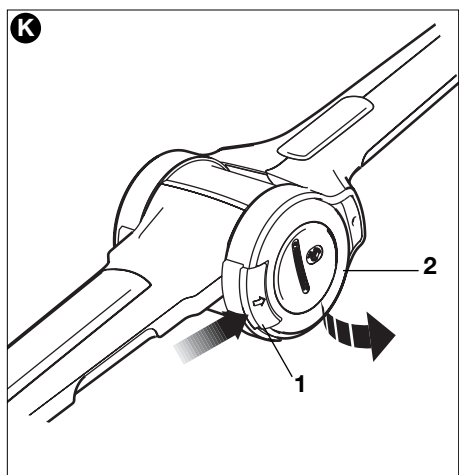
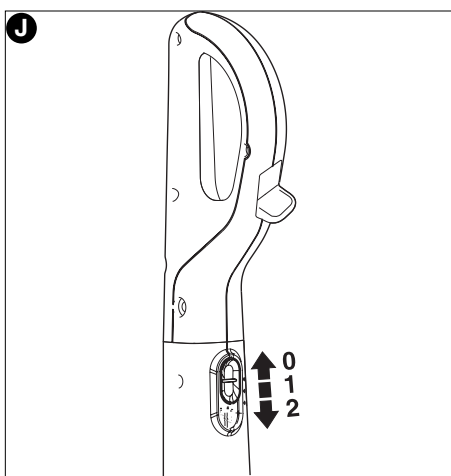
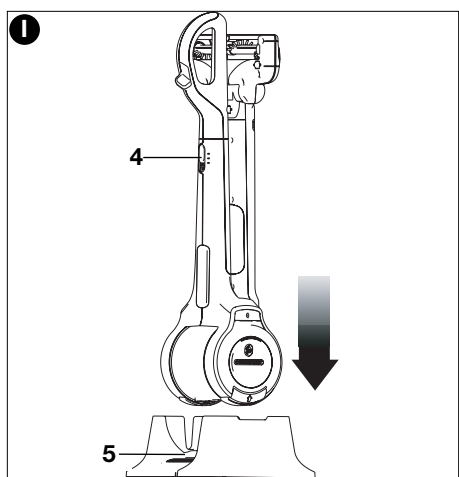
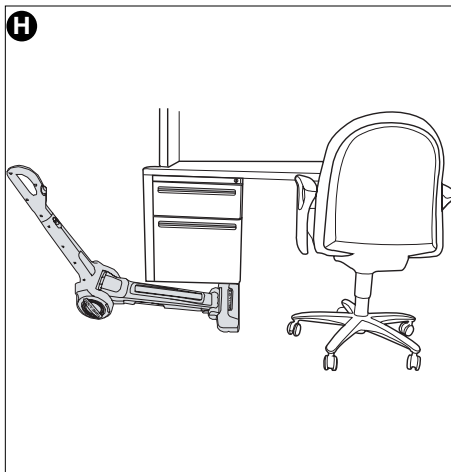
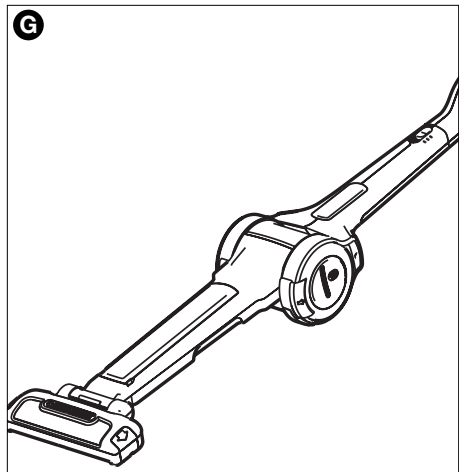
SAVE THESE INSTRUCTIONS

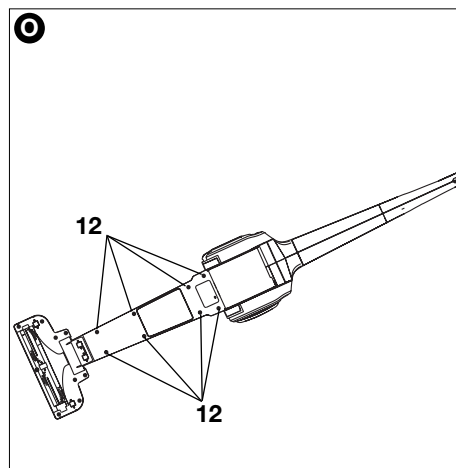
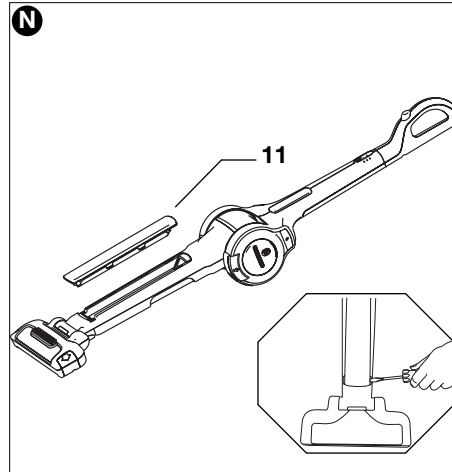
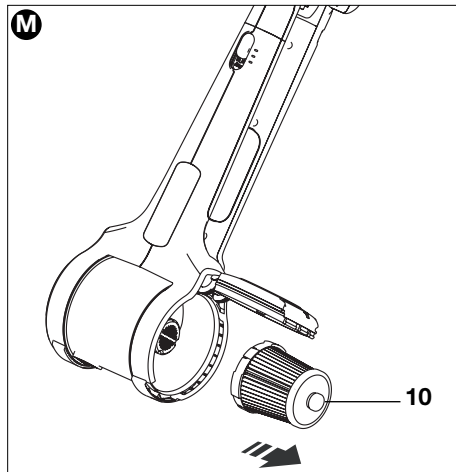
PRODUCT FEATURES

1. Release latch for container door
2. Container door
3. Pivot lock release button
4. Beater Bar/Vac On/Off switch
5. Charging indicator
6. Charging base
7. Pivoting arm
8. Beater bar/vac head
9. Pre-filter
10. Inner filter
11. Maintenance access









ASSEMBLY

Assembly tools required (not supplied)

- Phillips screwdriver

ATTACHING HANDLE TO UNIT (FIGURE A)

- Align the D-handle with the main body of the unit and push it down until it is fully seated as shown in **figure A**.
- Remove the phillips head screw from the plastic bag.
- Insert the screw into the hole indicated by the arrow in **figure A**.
- Tighten screw securely using a phillips screwdriver.

CHARGING BASE (FIGURE B)

- Place the charging base (6) on the floor, convenient to an electrical outlet. The PSV1800 stores and charges in the base whenever it is not in use.

⚠ **WARNING: Falling/Tripping Hazard.** Do not place charging base on any elevated surface. The product is designed to be placed into and removed from the charging base when it is sitting on the floor convenient to an electrical outlet.

OPENING THE VACUUM (FIGURES C - H)

- To open the vac for use, lift it from the charging base (6) (**figure C**).
- Push back the pivot lock trigger (3) on the handle and rotate the vacuum head (**figure D**).

- Release the pivot lock trigger (3) to lock the vac in any of the three different working positions (**figures E,F & G**).
- **Figure H** illustrates a typical application of vacuuming under furniture and other hard to reach places.

OPERATION

- Before first use, the battery must be charged for at least 21 hours.
- Place the appliance on the charging base (6) whenever it is not in use.

CHARGING THE BATTERY (FIGURE I)

- Make sure that the appliance is switched off.
- The battery will not be charged with the on/off switch (4) in the on position.
- Place the appliance on the charging base as shown.
- Plug in the charger.
- The charging indicator (5) will be lit.
- Leave the appliance to charge for at least 21 hours.

SAFETY WARNINGS AND INSTRUCTIONS: CHARGING

- While charging, the charger may become warm. This is normal and does not indicate a problem.
- The appliance can be left connected to the charger indefinitely. The charging indicator (5) will be lit as long as the appliance is connected to the plugged-in charger.
- Do not charge the battery at ambient temperatures below 39° F (4 °C) or above 104° (40 °C).

SWITCHING ON AND OFF (FIGURE J)

- To switch the appliance on, slide the on/off switch (4) forward to the 1st position (vacuum only).
- For vacuuming with beater bar operation slide the on/off switch forward to the 2nd position.
- To switch the appliance off, slide the on/off switch back.

CLEANING AND MAINTENANCE

CAUTION: Regularly clean the filters (9 & 10).

CLEANING THE DUST CONTAINER AND FILTERS (FIGURES K - N)

The filters are re-usable and should be cleaned regularly.

- Press the release latch (1) and open the container door (2) (**figure K**).
- Remove the filters (9 & 10) (**figures L & M**).
- Empty the dust container.
- Brush any loose dust off the filters.
- Wash the filters in warm, soapy water.
- Make sure that the filters are dry.

A section (11) of the unit can be removed to aid cleaning should the product become blocked resulting in a loss of suction (**figure N**).

- Remove the section using a flat bladed screwdriver (**figure N inset**) to release the front clip features.

Once released, the section will pivot free of the main assembly to give access for cleaning.

- Never immerse the product in water. A damp cloth and soapy water should be used to clean the exterior of the motor section. Always ensure the product is completely dry before re-use or storing.

ACCESSORIES

To purchase replacement filters call 1-888-678-7278.

ECONOMIC USAGE

- Your product is very economical to charge. While it is charging it uses less than half the amount of electricity used by a common night light.
- When fully charged, the average effective usage times are between 10-12 minutes with brush on (carpet), 12-14 minutes with brush on (hard floor) and 14-16 minutes with vac only.
- It may take several chargings before these times can be achieved.

TROUBLESHOOTING

If the product does not work, check the following:

- The charger was correctly plugged in for recharge. (It feels slightly warm to the touch.)
- The charger cord is not damaged and is correctly attached to the base.
- The charger is plugged into a working electrical outlet.
- The appliance was switched to the off position to charge. The battery will not be charged with the on/off switch in the on position.
- The filter is clogged. Press the release latch and open the container door. Remove the plastic pre-filter and the paper filter. Brush any loose dust off the filters and wash them in warm, soapy water. Make sure the filters are dry before placing back in the vacuum.

BATTERY REMOVAL AND DISPOSAL

This product uses nickel-cadmium (Ni-Cd) rechargeable and recyclable batteries. When the batteries no longer hold a charge, they should be removed from the Vac and recycled. They must not be incinerated or composted.

The batteries can be taken for disposal to a Black & Decker, Company-Owned or Authorized Service Center. Some local retailers are also participating in a national recycling program (see "RBRC™ Seal"). Call your local retailer for details. If you bring the batteries to a Black & Decker Company-Owned or Authorized Service Center, the Center will arrange to recycle old batteries. Or, contact your local municipality for proper disposal instructions in your city/town.

To remove the battery pack for disposal:

- 1.) First, before attempting to disassemble the product, turn it on and leave it on until the motor completely stops insuring a complete discharge of the batteries.
- 2.) Ensure nozzle is rotated out of storage position.
- 3.) Using a screwdriver, remove the eight screws (12) securing the two housing halves. (**figure O**)
- 4.) Lift the housing cover away from the assembly.
- 5.) Detach the wire connections to the battery pack.
- 6.) Remove battery pack from the unit.
- 7.) Dispose of batteries as per recommended guidelines.

MAINTENANCE

Use only mild soap and damp cloth to clean the vac. Never let any liquid get inside the vac; never immerse any part of the vac into a liquid.

NOTE: Make sure the vacuum is completely dry before using it.

IMPORTANT: To assure product SAFETY and RELIABILITY, repairs, maintenance and adjustment (other than those listed in this manual) should be performed by authorized service centers or other qualified service organizations, always using identical replacement parts.

THE RBRC™ SEAL

The RBRC™ (Rechargeable Battery Recycling Corporation)

Seal on the nickel-cadmium battery (or battery pack) indicates that the costs to recycle the battery (or battery pack) at the end of its useful life have already been paid by Black & Decker. In some areas, it is illegal to place spent nickel-cadmium batteries in the trash or municipal solid waste stream and the RBRC program provides an environmentally conscious alternative.

RBRC in cooperation with Black & Decker and other battery users, has established programs in the United States and Canada to facilitate the collection of spent nickel-cadmium batteries. Help protect our environment and conserve natural resources by returning the spent nickel-cadmium battery to an authorized Black & Decker service center or to your local retailer for recycling. You may also contact your local recycling center for information on where to drop off the spent battery, or call **1-800-8-BATTERY**.



SERVICE INFORMATION

Black & Decker offers a full network of company-owned and authorized service locations throughout North America. All Black & Decker Service Centers are staffed with trained personnel to provide customers with efficient and reliable power tool service.

Whether you need technical advice, repair, or genuine factory replacement parts, contact the Black & Decker location nearest you. To find your local service location, refer to the yellow page directory under "Tools—Electric" or call: **1-800-54-HOW TO (544-6986)**.

FULL TWO-YEAR HOME USE WARRANTY

Black & Decker (U.S.) Inc. warrants this product for two years against any defects in material or workmanship. The defective product will be replaced or repaired at no charge in either of two ways.

The first, which will result in exchanges only, is to return the product to the retailer from whom it was purchased (provided that the store is a participating retailer). Returns should be made within the time period of the retailer's policy for exchanges (usually 30 to 90 days after the sale). Proof of purchase may be required. Please check with the retailer for their specific return policy regarding returns that are beyond the time set for exchanges.

The second option is to take or send the product (prepaid) to a Black & Decker owned or authorized Service Center for repair or replacement at our option. Proof of purchase may be required.

Black & Decker owned and authorized Service Centers are listed under "Tools-Electric" in the yellow pages of the phone directory.

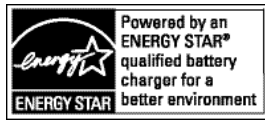
This warranty does not apply to accessories. This warranty gives you specific legal rights and you may have other rights which vary from state to state. Should you have any questions, contact the manager of your nearest Black & Decker Service Center.

This product is not intended for commercial use.

FREE WARNING LABEL REPLACEMENT: If your warning labels become illegible or are missing, call **1-800-544-6986** for a free replacement.

Imported by
Black & Decker (U.S.)
Inc.,
701 E. Joppa Rd.
Towson, MD 21286
U.S.A.

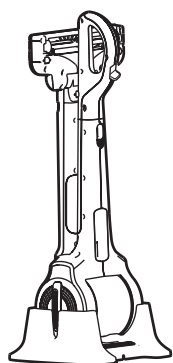
See 'Tools-Electric'
– Yellow Pages –
for Service & Sales



ASPIRATEUR SANS FIL À TÊTE PIVOTANTE

MODE D'EMPLOI

N° de catalogue PSV1800



MERCI D'AVOIR CHOISI BLACK & DECKER !
VISITEZ WWW.BLACKANDDECKER.COM/NEWOWNER
POUR ENREGISTRER VOTRE NOUVEAU PRODUIT.

**AVANT DE RETOURNER CE PRODUIT POUR
QUELQUE RAISON QUE CE SOIT, COMPOSER LE
1-800-544-6986**

AVANT D'APPELER, AYEZ EN MAIN LE N° DE CATALOGUE ET LE CODE DE DATE. DANS LA PLUPART
DES CAS, UN REPRÉSENTANT DE BLACK & DECKER PEUT RÉSOUDRE LE PROBLÈME PAR
TÉLÉPHONE. SI VOUS AVEZ UNE SUGGESTION OU UN COMMENTAIRE, APPELÉZ-NOUS. VOS
IMPRESSIONS SONT CRUCIALES POUR BLACK & DECKER.

**Pour l'achat d'un filtres de rechange
composer le 1-888-678-7278.**

**CONSERVER CE MODE D'EMPLOI POUR UN USAGE
ULTÉRIEUR.
POUR UN USAGE DOMESTIQUE UNIQUEMENT.**

IMPORTANTES MISES EN GARDE

Lorsqu'on utilise un appareil électrique, il faut toujours respecter certaines règles de sécurité fondamentales, notamment les suivantes.

LIRE ET COMPRENDRE TOUTES LES DIRECTIVES AVANT D'UTILISER L'APPAREIL.

LIGNES DIRECTRICES EN MATIÈRE DE SÉCURITÉ - DÉFINITIONS

Il est important que vous lisiez et compreniez ce mode d'emploi. Les informations qu'il contient concernent VOTRE SÉCURITÉ et visent à ÉVITER TOUT PROBLÈME. Les symboles ci-dessous servent à vous aider à reconnaître cette information.

⚠ DANGER : Indique une situation dangereuse imminente qui, si elle n'est pas évitée, causera la mort ou des graves blessures.

⚠ AVERTISSEMENT : Indique une situation potentiellement dangereuse qui, si elle n'est pas évitée, pourrait causer la mort ou de graves blessures.

⚠ MISE EN GARDE : Indique une situation potentiellement dangereuse qui, si elle n'est pas évitée, pourrait causer des blessures mineures ou modérées.

MISE EN GARDE : Utilisé sans le symbole d'alerte à la sécurité, indique une situation potentiellement dangereuse qui, si elle n'est pas évitée, peut résulter en des dommages à la propriété.

⚠ AVERTISSEMENT : Certaines poussières domestiques contiennent des produits chimiques reconnus par l'État de la Californie comme étant cancérigènes et pouvant entraîner des anomalies congénitales et d'autres risques pour la reproduction tels que l'amiante et le plomb contenu dans les peintures au plomb.

⚠ AVERTISSEMENT : pour réduire les risques d'incendie, de chocs électriques ou de blessures :

- Exercer une étroite surveillance pour l'utilisation de tout appareil électrique par des enfants ou à proximité de ceux-ci. Interdire l'utilisation de l'appareil comme jouet.
- **Risque d'électrocution.** Afin de se protéger contre les risques de choc électrique, ne pas immerger l'appareil ni la base de charge dans quelque liquide que ce soit.
- Ne pas se servir d'un aspirateur portatif destiné à des déchets secs pour aspirer des liquides, des substances toxiques, des liquides inflammables ou combustibles comme de l'essence, ni s'en servir dans un endroit renfermant de tels produits.
- Ne pas utiliser l'appareil en présence de vapeurs ou de liquides explosifs ou inflammables.
- **Risque d'électrocution.** Ne pas utiliser d'appareil présentant un chargeur ou un cordon endommagé, en mauvais état de fonctionnement, ou ayant été laissé à l'extérieur, immergé dans de l'eau ou endommagé de quelque façon que ce soit. Retourner l'appareil dans un centre de réparation autorisé.
- Ne pas utiliser abusivement le cordon d'alimentation. Ne jamais transporter le chargeur ou la base en les tenant par le cordon, ni tirer dessus pour les débrancher; tenir le chargeur et tirer sur la fiche pour le débrancher. Tenir le cordon éloigné des surfaces chauffées. Ne pas faire passer le cordon sur des arêtes ou des angles vifs.
- Ne pas laisser le cordon pendre sur le bord d'une table ou d'un comptoir, ni toucher des surfaces chaudes. L'appareil doit être placé sur le plancher, loin de tout évier et de toute surface chaude.
- Ne pas utiliser de rallonge. Brancher le chargeur directement dans une prise électrique.
- Brancher le chargeur seulement dans une prise électrique standard (120 V, 60 Hz).
- Ne pas utiliser le chargeur avec un autre produit, ni tenter de charger l'appareil avec un autre chargeur. Utiliser uniquement le chargeur fourni par le fabricant.

- Tenir les cheveux, les vêtements amples et toutes les parties du corps à l'écart des ouvertures et des pièces mobiles.
- **Risque d'électrocution.** Ne pas manipuler la fiche ni l'appareil avec les mains mouillées.
- Ne pas insérer d'objet dans les ouvertures de l'appareil. Ne pas utiliser l'appareil si ses ouvertures sont bouchées; les tenir exemptes de poussière, de peluche, de cheveux et de toute chose pouvant réduire la circulation d'air.
- **Risque d'incendie.** Ne pas passer l'aspirateur sur des matières qui brûlent ou fument comme des mégots de cigarette, des allumettes ou des cendres chaudes.
- Ne pas utiliser l'appareil sur des surfaces chaudes ni près de celles-ci.
- Être très prudent pour nettoyer les escaliers.
- L'appareil électrique est conçu pour une utilisation domestique seulement et non commerciale ou industrielle.
- Utiliser l'appareil uniquement selon les indications données dans le présent manuel. Utiliser uniquement les accessoires recommandés par le fabricant.
- Débrancher le chargeur avant tout nettoyage ou entretien de routine.
- Ce produit contient des piles rechargeables au nickel-cadmium. Ne pas incinérer les piles car la chaleur des flammes les fera exploser.
- Les cellules des piles peuvent fuir dans des conditions extrêmes. Si le liquide, qui est constitué d'une solution de 20 à 35 % d'hydroxyde de potassium entre en contact avec la peau : (1) se laver rapidement avec de l'eau et du savon ou (2) neutraliser le produit avec un acide doux comme du jus de citron ou du vinaigre. Si le liquide atteint les yeux, les rincer immédiatement à l'eau claire pendant au moins 10 minutes. Consulter un médecin.
- Ne pas regarder dans les événements lorsque l'appareil est en marche, car il arrive parfois que de petits débris s'en échappent, surtout après un nettoyage ou un remplacement de filtre qui aurait tendance à les libérer.
- Afin de prévenir les risques de trébuchement, ranger l'appareil après chaque utilisation.
- Ne pas aspirer des objets pointus qui pourraient endommager l'aspirateur ou le filtre.
- Ne pas utiliser l'appareil sans que les deux filtres soient en place. Remplacer rapidement tout filtre endommagé.

CONSERVER CES DIRECTIVES.

CARACTÉRISTIQUES DU PRODUIT

1. Loquet d'ouverture de la trappe du contenant
2. Trappe du contenant
3. Bouton de déblocage de pivot
4. Interrupteur marche/arrêt de l'élément vibro-batteur/aspirateur
5. Indicateur de charge
6. Base de charge
7. Bras pivotant
8. Tête de l'élément vibro-batteur/de l'aspirateur
9. Préfiltre
10. Filtre interne
11. Ouverture d'accès pour l'entretien

ASSEMBLAGE

Outils nécessaires pour l'assemblage (non fournis)

- Tournevis cruciforme

FIXATION DE LA POIGNÉE À L'APPAREIL (FIGURE A)

- Aligner la poignée fermée avec le corps de l'appareil et l'insérer jusqu'à ce qu'elle soit complètement enfoncée comme montré à la **figure A**.
- Retirer la vis à tête cruciforme du sac de plastique.
- Insérer la vis dans le trou indiqué par la flèche de la **figure A**.
- Au moyen d'un tournevis cruciforme, visser solidement la vis.

BASE DE CHARGE (FIGURE B)

- Déposer la base de charge (6) sur le plancher près d'une prise électrique. Le modèle PSV1800 se range et se charge sur la base lorsqu'il est inutilisé.

⚠ AVERTISSEMENT : RISQUE DE CHUTE OU DE TRÉBUCHEMENT. Ne pas placer la base de charge sur une surface élevée. Le produit est conçu pour se ranger sur sa base de charge et être repris à partir de celle-ci lorsqu'elle est déposée au sol près d'une prise électrique.

DÉPLOIEMENT DE L'ASPIRATEUR (FIGURES C à H)

- Pour déployer l'aspirateur afin de l'utiliser, le soulever de la base de charge (6) (**figure C**).
- Sur la poignée, pousser le déclencheur de blocage du pivot (3) vers l'arrière et déployer la tête de l'aspirateur (**figure D**).
- Relâcher le déclencheur de blocage du pivot (3) pour bloquer l'aspirateur à l'une des trois différentes positions de fonctionnement (**figures E, F et G**).
- La **figure H** illustre une utilisation typique de l'aspirateur sous un meuble et dans d'autres endroits difficiles à atteindre.

FONCTIONNEMENT

- Avant la première utilisation, la pile doit être chargée pendant au moins 21 heures.
- Placer l'appareil sur la base de charge (6) quand il n'est pas utilisé.

CHARGE DE LA PILE (FIGURE I)

- S'assurer que l'appareil est éteint.
- La pile ne se chargera pas si l'interrupteur marche/arrêt (4) est en position de marche.
- Placer l'appareil sur la base de charge comme illustré.
 - Brancher le chargeur.
- L'indicateur de charge (5) s'allumera.
- Laisser l'appareil en charge pendant au moins 21 heures.

AVERTISSEMENTS DE SÉCURITÉ ET DIRECTIVES : CHARGE

- Pendant la charge, le chargeur peut chauffer. C'est une situation normale qui n'indique pas de problème.
- On peut laisser l'appareil branché indéfiniment au chargeur. L'indicateur de charge (5) demeurera allumé aussi longtemps que l'appareil est relié au chargeur branché.
- Ne pas charger la pile à des températures ambiantes inférieures à 4 °C (39 °F) ou supérieures à 40 °C (104 °F).

MISE EN MARCHÉ ET ARRÊT (FIGURE J)

- Pour mettre l'appareil en marche, coulisser l'interrupteur marche/arrêt (4) vers l'avant à la première position (aspiration seulement).
- Pour la fonction d'aspiration avec le vibro-batteur, coulisser l'interrupteur marche/arrêt vers l'avant à la deuxième position.
- Pour arrêter l'appareil, coulisser l'interrupteur marche/arrêt vers l'arrière.

NETTOYAGE ET ENTRETIEN

MISE EN GARDE : nettoyer régulièrement les filtres (9 et 10).

NETTOYAGE DU CONTENANT À POUSSIÈRE ET DES FILTRES (FIGURES K À N)

Les filtres sont réutilisables et doivent être nettoyés régulièrement.

- Appuyer sur le loquet d'ouverture (1) et ouvrir la trappe du contenant (2) (**figure K**).
- Retirer les filtres (9 et 10) (**figures L et M**).
- Vider le contenant à poussière.
- Nettoyer avec une brosse la poussière hors des filtres.
- Laver les filtres dans de l'eau chaude savonneuse.
- S'assurer que les filtres sont secs.

Il est possible de retirer une section (11) de l'appareil pour aider au nettoyage si le produit se bloque avec une perte de succion (**figure N**).

- Au moyen d'un tournevis à lame plate (**vignette de la figure N**), dégager l'attache avant pour retirer la section.

Une fois dégagée, la section pivotera librement sur le corps de l'appareil afin de permettre le nettoyage.

- Ne jamais immerger le produit dans l'eau. Pour nettoyer la surface externe de la section du moteur, utiliser un chiffon humide et de l'eau savonneuse. S'assurer que le produit est complètement sec avant de l'utiliser à nouveau ou de le ranger.

ACCESSOIRES

Pour l'achat d'un filtres de rechange composer le 1-888-678-7278.

UTILISATION ÉCONOMIQUE

- La recharge de votre produit est très économique. En cours de charge, il utilise moins de la moitié de l'électricité utilisée par une veilleuse courante.
- À pleine charge, l'appareil fonctionne en moyenne de 10 à 12 minutes avec la brosse (sur du tapis), de 12 à 14 minutes avec la brosse (sur un plancher de bois franc) et de 14 à 16 minutes en mode aspiration seulement.
- Ce rendement pourrait prendre plusieurs charges avant d'être atteint.

DÉPANNAGE

Si le produit ne fonctionne pas, vérifier les éléments suivants :

- Le chargeur était correctement branché lors de la charge (il est légèrement chaud au toucher).
- Le cordon d'alimentation du chargeur n'est pas endommagé et il est bien fixé à la base.
- Le chargeur est branché dans une prise électrique qui fonctionne.
- Le commutateur de l'appareil a été mis en position d'arrêt en vue de la charge. La pile ne se charge pas si le commutateur marche/arrêt est en position de marche.
- Le filtre est obstrué. Appuyer sur le loquet d'ouverture et ouvrir la trappe du contenant. Retirer le préfiltre de plastique et le filtre de papier. Brosser les filtres pour enlever toute poussière en surface et laver dans de l'eau chaude savonneuse. S'assurer que les filtres sont secs avant de les remettre dans l'aspirateur.

RETRAIT ET ÉLIMINATION DES PILES

Ce produit utilise des piles nickel-cadmium (Ni-Cd) rechargeables et recyclables. Quand les piles ne tiennent plus la charge, elles doivent être retirées de l'aspirateur et recyclées. Elles ne doivent jamais être incinérées ni compostées.

On peut apporter les piles à un centre de réparation Black & Decker ou un centre autorisé. Certains détaillants locaux participent également à un programme national de recyclage (voir la section « Le sceau RBRCTM »). Communiquer avec le détaillant local pour en connaître les détails. Le centre de réparation de Black & Decker ou un centre autorisé prendra les dispositions nécessaires pour recycler les piles épuisées si on les rapporte à un tel centre. On peut aussi contacter la municipalité pour obtenir des directives de mise au rebut appropriées selon la ville.

Retrait du bloc-piles pour élimination :

- 1.) D'abord, avant de démonter le produit, le mettre en marche et le laisser fonctionner jusqu'à ce que le moteur s'arrête complètement, ce qui assure une décharge complète des piles.
- 2.) Vérifier que la buse est tournée en position de rangement.
- 3.) Avec un tournevis, retirer les huit vis (12) fixant les deux moitiés du boîtier. **(figure O)**
- 4.) Soulever le couvercle du boîtier de l'ensemble.
- 5.) Détacher les fils du bloc-piles.
- 6.) Retirer le bloc-piles de l'appareil.
- 7.) Éliminer les piles conformément aux lignes directrices recommandées.

ENTRETIEN

Ne nettoyer l'appareil qu'à l'eau savonneuse au moyen d'un linge humide. Ne jamais laisser de liquide s'infiltrer à l'intérieur de l'appareil; ne jamais immerger ce dernier dans quelque liquide que ce soit.

REMARQUE : S'assurer que l'appareil soit complètement sec avant de l'utiliser.

IMPORTANT : Pour assurer la SÉCURITÉ et la FIABILITÉ de l'appareil, tous les travaux de réparation, d'entretien et de réglage autres que ceux décrits aux présentes doivent être effectués par le personnel d'un centre de service autorisé ou qualifié; seules des pièces de rechange identiques doivent être utilisées.

**Le SCEAU SRPRC™**

Le sceau SRPRC™ apposé sur le bloc-piles au nickel cadmium indique que son coût de recyclage à la fin de sa vie utile sera payé par Black & Decker. Il est illégal de jeter les piles au nickel cadmium épuisées dans les poubelles ou dans le système municipal d'élimination des résidus solides. Le programme RBRC représente donc une alternative sensibilisée à l'environnement. La SRPRC™, en collaboration avec Black & Decker, ont établi aux États-Unis et au Canada des programmes facilitant la cueillette des piles au nickel cadmium épuisés. Black & Decker encourage ses utilisateurs à participer à son programme de protection de l'environnement en retournant les piles usagées à un centre de réparation autorisé Black & Decker. On peut également communiquer avec le centre de recyclage de la région pour savoir où déposer les piles usées ou composer le **1-800-8-BATTERY**.

INFORMATION SUR LES RÉPARATIONS

Tous les centres de réparation Black & Decker sont dotés de personnel qualifié en matière d'outillage électrique; ils sont donc en mesure d'offrir à leur clientèle un service efficace et fiable. Que ce soit pour un avis technique, une réparation ou des pièces de rechange authentiques installées en usine, communiquer avec l'établissement Black & Decker le plus près de chez vous. Pour trouver l'établissement de réparation de votre région, consulter le répertoire des Pages jaunes à la rubrique « Outils électriques » ou composer le numéro suivant : **1-800-544-6986** ou consulter le site www.blackanddecker.com

GARANTIE COMPLÈTE DE DEUX ANS POUR UNE UTILISATION DOMESTIQUE

Black & Decker (É.-U.) Inc. garantit ce produit pour une durée de deux ans contre tout défaut de matériau ou de fabrication. Le produit défectueux sera remplacé ou réparé sans frais de l'une des deux façons suivantes :

La première façon consiste en un simple échange chez le détaillant qui l'a vendu (pourvu qu'il s'agisse d'un détaillant participant). Tout retour doit se faire durant la période correspondant à la politique d'échange du détaillant (habituellement, de 30 à 90 jours après l'achat). Une preuve d'achat peut être requise. Vérifier auprès du détaillant pour connaître sa politique concernant les retours hors de la période définie pour les échanges.

La deuxième option est d'apporter ou d'envoyer le produit (transport payé d'avance) à un centre de réparation autorisé ou à un centre de réparation de Black & Decker pour faire réparer ou échanger le produit, à notre discrétion. Une preuve d'achat peut être requise. Les centres Black & Decker et les centres de service autorisés sont répertoriés dans les pages jaunes, sous la rubrique « Outils électriques ».

Cette garantie ne s'applique pas aux accessoires. Cette garantie vous accorde des droits légaux spécifiques et vous pourriez avoir d'autres droits qui varient d'un État ou d'une province à l'autre. Pour toute question, communiquer avec le directeur du centre de réparation Black & Decker le plus près de chez vous.

Ce produit n'est pas destiné à un usage commercial.

REMPLACEMENT GRATUIT DES ÉTIQUETTES D'AVERTISSEMENT : si les étiquettes d'avertissement deviennent illisibles ou sont manquantes, composer le **1-800-544-6986** pour en obtenir le remplacement gratuit.

Imported by / Importé par
Black & Decker Canada Inc.
100 Central Ave.
Brockville (Ontario)
K6V 5W6

Voir la rubrique
"Outils électriques"
des Pages Jaunes
pour le service et les
ventes.



ASPIRADORA INALÁMBRICA GIRATORIA

MANUAL DE INSTRUCCIONES

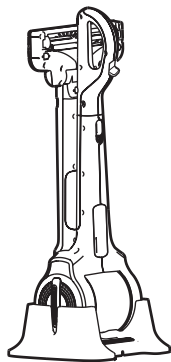
Catálogo N° PSV1800

¡GRACIAS POR ELEGIR BLACK & DECKER!
VAYA A WWW.BLACKANDDECKER.COM/NEWOWNER
PARA REGISTRAR SU NUEVO PRODUCTO.

**ANTES DE DEVOLVER ESTE PRODUCTO POR
CUALQUIER MOTIVO, LLAME AL**

(55)5326-7100

ANTES DE LLAMAR, TENGA EL NÚMERO DE CATÁLOGO Y EL CÓDIGO DE FECHA PREPARADOS. EN LA MAYORÍA DE LOS CASOS, UN REPRESENTANTE DE BLACK & DECKER PUEDE RESOLVER EL PROBLEMA POR TELÉFONO. SI DESEA REALIZAR UNA SUGERENCIA O COMENTARIO, LLÁMENOS. SU OPINIÓN ES FUNDAMENTAL PARA BLACK & DECKER.



**Para comprar un filtros de repuesto
llame al 1-888-678-7278.**

**CONSERVE ESTE MANUAL PARA FUTURAS CONSULTAS.
SÓLO PARA USO DOMÉSTICO.**

MEDIDAS DE SEGURIDAD IMPORTANTES

Cuando se usen aparatos eléctricos, deben tomarse ciertas precauciones básicas de seguridad, entre las que se incluyen las siguientes:

POR FAVOR LEA Y COMPRENDA TODAS LAS INSTRUCCIONES ANTES DE OPERAR LA UNIDAD

PAUTAS DE SEGURIDAD/DEFINICIONES

Es importante que lea y comprenda este manual. La información que contiene se relaciona con la protección de SU SEGURIDAD y la PREVENCIÓN DE PROBLEMAS. Los símbolos que siguen se utilizan para ayudarlo a reconocer esta información.

⚠ PELIGRO: indica una situación de peligro inminente que, si no se evita, provocará la muerte o lesiones graves.

⚠ ADVERTENCIA: indica una situación de peligro potencial que, si no se evita, provocará la muerte o lesiones graves.

⚠ PRECAUCIÓN: indica una situación de peligro potencial que, si no se evita, provocará lesiones leves o moderadas.

PRECAUCIÓN: utilizado sin el símbolo de alerta de seguridad indica una situación de peligro potencial que, si no se evita, puede provocar daños en la propiedad.

⚠ ADVERTENCIA: Ciertas partículas de polvo doméstico contienen químicos, como el asbesto y la pintura a base de plomo, reconocidos por el estado de California como causantes de cáncer, defectos congénitos u otros problemas reproductivos.

⚠ ADVERTENCIA: Para disminuir el riesgo de incendio, descarga eléctrica o lesión:

- Debe supervisar detenidamente el uso de cualquier aparato por parte de niños o cerca de ellos. No permita que se utilice como juguete.
- **Riesgo de descarga eléctrica.** Para evitar el riesgo de descarga eléctrica, no sumerja la unidad o la base cargadora en el agua o cualquier otro líquido.
- No utilice las aspiradoras para seco con el fin de recoger líquidos, sustancias tóxicas, líquidos inflamables o combustibles como gasolina, ni las use en áreas en las que estas sustancias puedan estar presentes.
- No la opere en presencia de vapores o líquidos explosivos o inflamables.
- **Riesgo de descarga eléctrica.** No opere aparatos que posean un cable o cargador dañados, o después de un mal funcionamiento, aparatos que se dejan a la intemperie, se dejaron caer en el agua o que están dañados de alguna forma. Devuelva el aparato a cualquier instalación de mantenimiento autorizada.
- No maltrate el cable. Nunca transporte el cargador o la base por el cable ni lo jale para desconectarlos de un tomacorriente; en cambio, tome el cargador y tire para desconectarlo. Mantenga el cable alejado de superficies calientes. No tire del cable cerca de bordes o esquinas afilados.
- No permita que el cable cuelgue sobre el borde de una mesa o un mostrador, o toque superficies calientes. La unidad debe colocarse sobre el piso, lejos de fregaderos y superficies calientes.
- No utilice un cable prolongador. Enchufe el cargador directamente en un tomacorriente.
- Utilice el cargador solamente en un tomacorriente estándar (120V/60Hz).
- No intente utilizar el cargador con cualquier otro producto; no intente cargar este producto con ningún otro cargador. Para realizar una recarga utilice sólo el cargador provisto por el fabricante.
- Mantenga el cabello, las ropas holgadas y todas las partes del cuerpo alejados de los orificios y de las piezas en movimiento.
- **Riesgo de descarga eléctrica.** No toque el enchufe ni el aparato con las manos mojadas.

- No coloque objetos en los orificios de la unidad. No use la unidad con orificios bloqueados, manténgalos libres de polvo, pelusas, pelos y cualquier objeto que pueda reducir el flujo de aire.
- **Riesgo de incendio.** No utilice la aspiradora sobre materiales encendidos o humeantes como colillas de cigarrillos encendidas, fósforos o cenizas calientes.
- No utilice en o cerca de superficies calientes.
- Tenga especial precaución al limpiar las escaleras.
- Este aparato está diseñado para uso doméstico solamente y no para uso comercial o industrial.
- Úsela solamente de la manera que se describe en este manual. Utilice únicamente accesorios recomendados por el fabricante.
- Desconecte el cargador del tomacorriente antes de realizar una limpieza o mantenimiento de rutina.
- Este producto incluye baterías recargables de níquel-cadmio. No incinere las baterías porque explotan a temperaturas altas.
- Se pueden producir pérdidas de las celdas de la batería en condiciones extremas. Si el líquido, que es una solución de hidróxido de potasio del 20% al 35%, entra en contacto con la piel (1) lave rápidamente con agua y jabón o (2) neutralice con un ácido suave como jugo de limón o vinagre. Si el líquido de la batería entra en contacto con los ojos, lávelos con agua limpia durante al menos 10 minutos. Busque atención médica.
- No mire por los orificios de ventilación mientras la unidad está encendida, ya que a veces pueden expulsar pequeños desechos. Esto se debe tener en cuenta sobre todo después de la limpieza o el reemplazo de los filtros, porque se pueden remover los desechos dentro de la unidad.
- Para evitar tropezarse con la aspiradora, guárdela después de cada uso.
- No recoja ningún objeto afilado que pudiese dañar la aspiradora o los filtros.
- No opere la unidad sin que ambos filtros estén en su lugar. Reemplace de inmediato los filtros dañados.

CONSERVE ESTE MANUAL

CARACTERÍSTICAS DEL PRODUCTO

1. Release latch for container door
2. Container door
3. Pivot lock release button
4. Beater Bar/Vac On/Off switch
5. Charging indicator
6. Charging base
7. Pivoting arm
8. Beater bar/vac head
9. Prefiltro
10. Filtro interior
11. Acceso para mantenimiento

ENSAMBLAJE

Herramientas necesarias para el montaje (no suministradas)

- Destornillador Phillips

COLOCACIÓN DEL MANGO EN LA UNIDAD (FIGURA A)

- Alinee el mango en "D" con el cuerpo principal de la unidad y empújelo hacia abajo hasta que quede en la posición correcta, como se muestra en la **figura A**.
- Retire el tornillo Phillips de la bolsa plástica.
- Inserte el tornillo en el orificio que indica la flecha en la **figura A**.
- Ajuste bien el tornillo con un destornillador Phillips.

Base cargadora (Figura B)

- Coloque la base cargadora (6) sobre el piso, cerca de un tomacorriente eléctrico. La unidad PSV1800 se almacena y carga en la base cuando no está en uso.

⚠ ADVERTENCIA: **Riesgo de caídas o tropezones.** No coloque la base cargadora sobre superficies elevadas. El producto está diseñado para colocarse y retirarse de la base cargadora cuando está sobre el piso, cerca de un tomacorriente eléctrico.

APERTURA DE LA ASPIRADORA (FIGURAS C - H)

- Si desea abrir la aspiradora para su uso, levántela de la base cargadora (6) (**figura C**).
- Empuje hacia atrás el gatillo de bloqueo de rotación (3) ubicado en el mango y gire el cabezal de la aspiradora (**figura D**).
- Libere el gatillo de bloqueo de rotación (3) para bloquear la aspiradora en alguna de las tres posiciones de trabajo (**figuras E, F y G**).
- La **figura H** ilustra una aplicación típica de aspiración debajo de muebles y otros lugares de difícil acceso.

FUNCIONAMIENTO

- Antes del primer uso, cargue la batería por lo menos durante 21 horas.
- Coloque el aparato en la base cargadora (6) cuando no esté en uso.

CARGA DE LA BATERÍA (FIGURA I)

- Asegúrese de que el aparato esté apagado.
- La batería no se cargará si el interruptor de encendido/apagado (4) está en la posición de encendido.
- Coloque el aparato en la base cargadora como se muestra.
 - Enchufe el cargador.
- Se encenderá el indicador de carga (5).
- Deje que el aparato cargue por lo menos durante 21 horas.

INSTRUCCIONES Y ADVERTENCIAS DE SEGURIDAD: CARGA

- Durante la carga, el cargador puede calentarse. Esto es normal y no indica un problema.
- El aparato se puede dejar conectado al cargador indefinidamente. El indicador de carga (5) permanecerá encendido mientras el aparato esté conectado al cargador enchufado.
- No cargue la batería a temperaturas ambientes inferiores a 4 °C (39 °F) o superiores a 40 °C (104 °F).

ENCENDIDO Y APAGADO (FIGURA J)

- Para encender el aparato, deslice el interruptor de encendido/apagado (4) hacia adelante hasta la primera posición (aspiración solamente).
- Para aspirar con la función de barra sacudidora, deslice el interruptor de encendido/apagado hasta la segunda posición.
- Para apagar el aparato, deslice el interruptor de encendido/apagado hacia atrás.

LIMPIEZA Y MANTENIMIENTO

PRECAUCIÓN: Limpie los filtros periódicamente (9 y 10).

LIMPIEZA DEL DEPÓSITO DE POLVO Y LOS FILTROS (FIGURAS K - N)

- Los filtros son reutilizables y deben limpiarse periódicamente.
- Presione el cerrojo de liberación (1) y abra la tapa del depósito (2) (**figura K**).
 - Retire los filtros (9 y 10) (**figuras L y M**).
 - Vacíe el depósito de polvo.
 - Cepille los filtros para quitar el polvo restante.
 - Lave los filtros con agua jabonosa tibia.
 - Asegúrese que los filtros estén secos.
- Se puede retirar una sección (11) de la unidad para facilitar su limpieza si el producto se atasca y se produce una pérdida de succión (**figura N**).
- Retire la sección con un destornillador de cabeza plana (**recuadro de la figura N**), para liberar los sujetadores delanteros.
- Una vez liberada, la sección se desprenderá del conjunto principal para permitir la limpieza.
- Nunca sumerja el producto en agua. Utilice un paño húmedo y agua jabonosa para limpiar la parte externa de la sección del motor. Siempre asegúrese de que el producto esté completamente seco antes de volver a usarlo o almacenarlo.

ACCESORIOS

Para comprar un filtro de repuesto llame al 1-888-678-7278.

USO ECONÓMICO

- El producto tiene una carga muy económica. Durante la carga, utiliza menos de la mitad de la cantidad de electricidad que utiliza un velador común.
- Con carga completa, el tiempo de uso efectivo promedio oscila entre 10 y 12 minutos con el cepillo activado (alfombras), 12 y 14 minutos con el cepillo activado (pisos duros) y 14 y 16 minutos con aspiración solamente.
- Alcanzar estos tiempos puede tomar varias cargas.

DETECCIÓN DE PROBLEMAS

Si el producto no funciona, verifique lo siguiente:

- Que el cargador se haya enchufado correctamente para realizar la recarga. (Se siente ligeramente caliente al tacto).
- Que el cable del cargador no esté dañado y que esté bien sujeto a la base.
- Que el cargador esté enchufado en un tomacorriente eléctrico en funcionamiento.
- El aparato fue apagado con la posición APAGADO para la carga. La batería no se cargará si el interruptor de encendido/apagado está en la posición de encendido.
- El filtro está obstruido. Presione el cerrojo de liberación y abra la puerta del contenedor. Retire el prefiltro de plástico y el filtro de papel. Cepille los filtros para quitar el polvo restante y lávelos con agua jabonosa tibia. Asegúrese de que los filtros estén secos antes de volver a colocarlos en la aspiradora.

REMOCIÓN Y ELIMINACIÓN DE LA BATERÍA

Este producto utiliza baterías de níquel-cadmio (Ni-Cd) recargables y reciclables. Cuando las baterías ya no mantengan la carga, es necesario retirarlas de la aspiradora y reciclarlas. No se deben incinerar ni someter a un proceso de compostaje.

Para eliminar la batería, puede llevarla a un Centro de mantenimiento Black & Decker propio o autorizado. Algunos comercios minoristas locales participan de un programa nacional de reciclado (ver "Sello RBRCTM"). Llame a su comercio minorista local para obtener más información. Si trae las baterías a un Centro de mantenimiento Black & Decker propio o autorizado, el Centro se ocupará de reciclarlas. O bien, consulte en la municipalidad de su localidad para conocer las instrucciones de desecho adecuadas de su ciudad o localidad.

Remoción y desecho de baterías:

- 1.) Primero, antes de intentar desarmar el producto, enciéndalo y póngalo en funcionamiento hasta que el motor se haya detenido completamente, asegurándose de que las baterías se descarguen completamente.
- 2.) Asegúrese de que la boquilla esté fuera de la posición de almacenamiento.
- 3.) Con un destornillador, retire los ocho tornillos (12) que fijan las dos mitades de la caja. **(figura O)**
- 4.) Levante la cubierta de la batería del montaje.
- 5.) Retire las conexiones de cable que van al paquete de baterías.
- 6.) Retire el paquete de baterías de la unidad.
- 7.) Deseche las baterías según las pautas recomendadas.

MANTENIMIENTO

Utilice únicamente jabón suave y un trapo húmedo para limpiar la aspiradora. Nunca permita que se introduzcan líquidos en ella; nunca sumerja ninguna parte de la aspiradora en un líquido.

NOTA: Asegúrese que la aspiradora esté completamente seca antes de usarla.

IMPORTANTE: Para garantizar la SEGURIDAD y la CONFIABILIDAD del producto, las reparaciones, el mantenimiento y los ajustes (diferentes a los mencionados en este manual) deberán llevarse a cabo en centros de servicio autorizado u otras organizaciones de servicio calificado, que siempre utilicen refacciones idénticas.

EL SELLO RBRC™

El sello RBRC™ (Rechargeable Battery Recycling Corporation) en las baterías de níquel-cadmio, indica que Black & Decker ha pagado los costos de reciclado de las baterías al término de su vida útil. En algunas zonas, es ilegal deshacerse de las baterías usadas de níquel-cadmio por los medios de recolección de basura usuales, y el programa RBRC proporciona una alternativa protectora del ambiente.



RBRC en cooperación con el fabricante y otros usuarios de baterías, ha establecido una serie de programas en los Estados Unidos y en Canadá para facilitar la recolección de las baterías de níquel-cadmio desgastadas. Ayude a cuidar el medio ambiente y a proteger los recursos naturales devolviendo las baterías de níquel-cadmio usadas a un centro de servicio Black & Decker o al distribuidor de su localidad para que las reciclen. Puede usted comunicarse al centro de reciclado de su localidad para que le proporcionen mayor información acerca de los sitios en los que puede desechar su batería usada, o llame al **1-800-8-BATTERY**.

INFORMACIÓN DE MANTENIMIENTO

Todos los Centros de mantenimiento de Black & Decker cuentan con personal altamente capacitado dispuesto a brindar a todos los clientes un servicio eficiente y confiable en la reparación de herramientas eléctricas. Si necesita consejo técnico, reparaciones o piezas de repuesto originales de fábrica, póngase en contacto con el centro de mantenimiento de Black & Decker más cercano a su domicilio. Para ubicar su centro de servicio local, consulte la sección "Herramientas eléctricas" (Tools-Electric) de las páginas amarillas, llame al **(55)5326-7100** o visite nuestro sitio **www.blackanddecker.com**.

GARANTÍA COMPLETA DE DOS AÑOS PARA USO EN EL HOGAR

Black & Decker (Estados Unidos) Inc. ofrece una garantía de dos años por cualquier defecto del material o de fabricación de este producto. El producto defectuoso se reparará o reemplazará sin costo alguno de dos maneras.

La primera opción, el reemplazo, es devolver el producto al comercio donde se lo adquirió (siempre y cuando se trate de un comercio participante). Las devoluciones deben realizarse conforme a la política de devolución del comercio (generalmente, entre 30 y 90 días posteriores a la venta). Le pueden solicitar comprobante de compra. Consulte en el comercio acerca de la política especial sobre devoluciones una vez excedido el plazo establecido.

La segunda opción es llevar o enviar el producto (con flete pago) a un Centro de mantenimiento propio o autorizado de Black & Decker para su reparación o reemplazo según nuestro criterio. Le pueden solicitar el comprobante de compra. Los Centros de mantenimiento autorizados y de propiedad de Black & Decker se detallan en la sección "Herramientas eléctricas" (Tools-Electric) de las páginas amarillas de la guía telefónica. Esta garantía no se extiende a los accesorios. Esta garantía le concede derechos legales específicos; usted puede tener otros derechos que pueden variar según el estado o la provincia. Si tiene alguna pregunta, comuníquese con el gerente del Centro de mantenimiento de Black & Decker de su zona. Este producto no está diseñado para uso comercial.

Para reparación y servicio de sus herramientas eléctricas, favor de dirigirse al Centro de Servicio más cercano:

CULIACAN, SIN

Av. Nicolás Bravo #1063 Sur
(667) 7 12 42 11
Col. Industrial Bravo

GUADALAJARA, JAL

Av. La Paz #1779
(33) 3825 6978
Col. Americana Sector Juarez

MEXICO, D.F.

Eje Central Lázaro Cardenas
No. 18
(55) 5588 9377
Local D, Col. Obrera

MERIDA, YUC

Calle 63 #459-A
(999) 928 5038
Col. Centro

MONTERREY, N.L.

Av. Francisco I. Madero
No.831
(81) 8375 2313
Col. Centro

PUEBLA, PUE

17 Norte #205
(222) 246 3714
Col. Centro

QUERETARO, QRO

Av. Madero 139 Pte.
(442) 214 1660
Col. Centro

SAN LUIS POTOSI, SLP

Av. Universidad 1525
(444) 814 2383
Col. San Luis

TORREON, COAH

Blvd. Independencia, 96 Pte.
(871) 716 5265
Col. Centro

VERACRUZ, VER

Prolongación Díaz Mirón #4280
(229)921 7016
Col. Remes

VILLAHERMOSA, TAB

Constitución 516-A
(993) 312 5111
Col. Centro

PARA OTRAS LOCALIDADES LLAME AL: (55) 5326 7100

Vea "Herramientas eléctricas (Tools-Electric)" - Páginas amarillas - para Servicio y ventas



**BLACK & DECKER S.A. DE C.V.
BOSQUES DE CIDROS ACCESO
RADIATAS NO. 42
COL. BOSQUES DE LAS LOMAS.
05120 MEXICO, D.F
TEL. 55-5326-7100**

**Black & Decker, S.A. de C.V.
ESPECIFICACIONES
Cargador: 120V AC, (5W) 60Hz
Salida: 18V, AC @ 100mA**

Free Manuals Download Website

<http://myh66.com>

<http://usermanuals.us>

<http://www.somanuals.com>

<http://www.4manuals.cc>

<http://www.manual-lib.com>

<http://www.404manual.com>

<http://www.luxmanual.com>

<http://aubethermostatmanual.com>

Golf course search by state

<http://golfingnear.com>

Email search by domain

<http://emailbydomain.com>

Auto manuals search

<http://auto.somanuals.com>

TV manuals search

<http://tv.somanuals.com>