

Please Read and Save this Use and Care Book

Por favor lea este instructivo antes de usar el producto

Veillez lire et conserver ce guide d'entretien et d'utilisation

 **BLACK & DECKER** Home

6-Cup Rice Cooker and Steamer

Olla de vaporizar y arrocera de 6 tazas

Cuiseur à riz et cuiseur-vapeur de 6 tasses



Register your product online at www.prodprotect.com/applica,
for a chance to WIN \$100,000!

Registre su producto en la Internet en el sitio Web www.prodprotect.com/applica
y tendrá la oportunidad de GANAR \$100,000!

Inscrivez votre produit en ligne à l'adresse www.prodprotect.com/applica
et courez la chance de GAGNER 100 000 \$!



USA/Canada
Mexico

1-800-231-9786
01-800-714-2503

www.applicaconsumerproductsinc.com

Model
Modelo
Modèle

RC3406

Accesorios/Partes (EE.UU./Canadá)
Accessories/Parts (USA/Canada)
1-800-738-0245

IMPORTANT SAFEGUARDS

When using electrical appliances basic safety precautions should always be followed including the following:

- Read all instructions.
- Do not touch hot surfaces. Use handles or knobs.
- To protect against electrical shock, do not immerse cord, plug or base unit in water or other liquid.
- Close supervision is necessary when any appliance is used by or near children.
- Unplug from outlet when not in use and before cleaning. Allow to cool before putting on or taking off parts.
- Do not operate appliance with a damaged cord or plug, or after the appliance malfunctions or has been damaged in any manner. Return appliance to an authorized service facility for examination, repair or adjustment.
- The use of accessory attachments not recommended by this appliance manufacturer may cause injuries.
- Do not use outdoors.
- Do not let cord hang over edge of table or counter, or touch hot surfaces.
- Do not place on or near a hot gas or electric burner, or in a heated oven.
- Extreme caution must be used when moving an appliance containing hot food, water or other hot liquids.
- To disconnect, turn any control to OFF, then remove plug from wall outlet.
- Do not use appliance for other than intended use.
- To reduce the risk of electric shock, cook only in removable container.

SAVE THESE INSTRUCTIONS.

POLARIZED PLUG (120V Models Only)

This appliance has a polarized plug (one blade is wider than the other). To reduce the risk of electric shock, this plug is intended to fit into a polarized outlet only one way. If the plug does not fit fully into the outlet, reverse the plug. If it still does not fit, contact a qualified electrician. Do not attempt to modify the plug in any way.

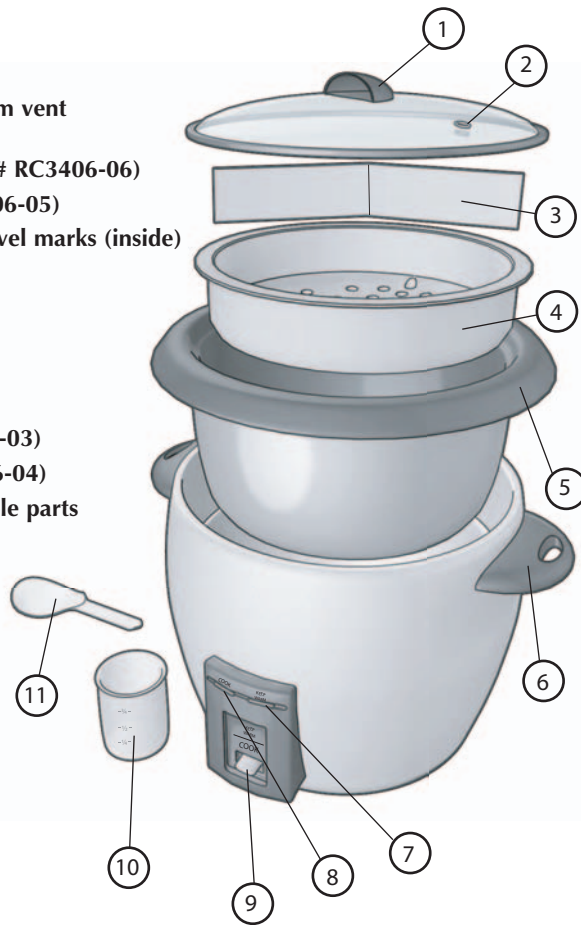
ELECTRICAL CORD

- a) A short power-supply cord (or detachable power-supply cord) is to be provided to reduce the risk resulting from becoming entangled in or tripping over a longer cord.
- b) Longer detachable power-supply cords or extension cords are available and may be used if care is exercised in their use.
- c) If a long detachable power-supply cord or extension cord is used,
 - 1) The marked electrical rating of the detachable power-supply cord or extension cord should be at least as great as the electrical rating of the appliance,
 - 2) If the appliance is of the grounded type, the extension cord should be a grounding-type 3-wire cord, and
 - 3) The longer cord should be arranged so that it will not drape over the countertop or tabletop where it can be pulled on by children or tripped over.

Note: If the power supply cord is damaged, it should be replaced by qualified personnel or in Latin America by an authorized service center.

Product may vary slightly from what is illustrated.

1. Lid handle
- † 2. Tempered glass lid with steam vent (Part# RC3406-01)
- † 3. Steamer basket divider (Part# RC3406-06)
- † 4. Steamer basket (Part# RC3406-05)
- † 5. Cooking bowl with water level marks (inside) (Part# RC3406-02)
6. Cool-touch side handles
7. COOK indicator light
8. KEEP WARM Indicator light
9. ON switch
- †10. Rice measure (Part# RC3406-03)
- †11. Serving scoop (Part# RC3406-04)
- † Consumer replaceable/removable parts



How to Use

This appliance is for household use only.

GETTING STARTED

- Remove all packing material and stickers from the product.
- Remove and save literature.
- Wash and dry all removable parts as instructed in **CARE AND CLEANING** section of this manual.
- Place appliance on a flat, stable surface.

COOKING RICE

1. Measure desired amount of rice to be cooked using rice measure provided; do not use 1-cup measuring cup. (The rice measure provided holds 2/3 cup uncooked rice – about 5 oz. or 150 grams.) This rice cooker can cook up to 3 measures of uncooked rice and yield a maximum of about 6 cups of cooked rice.
2. Place rice in the cooking bowl.

Note: Use only the cooking bowl provided with this appliance to cook rice.

3. Using the water level markings on the inside of the cooking bowl as a guide, add amount of water that matches the amount of rice to be cooked. For example, if preparing 1 measure of rice, add water to the 1-cup water level mark. Adding too much water may make the appliance boil over.
4. Add butter, oil and desired seasonings.

Note: The first time you prepare rice, use the handy rice guide on page 6. For softer, fluffy rice add a little more water; for rice that is more firm and has a firmer texture add a little less water.

5. Before placing cooking bowl into rice cooker, be sure the heating plate and outside surface of the cooking bowl are clean and dry. Avoid having rice kernels or other ingredients fall into the rice cooker.
6. Insert cooking bowl into rice cooker.
7. Place glass lid on the cooking bowl. For best results always keep glass lid on while cooking.

NOTE: As rice cooks, steam will escape through vent in lid. Place glass lid on rice cooker so steam vent is facing away from cabinets and walls. Do not place hand over steam vent while rice is cooking; the hot steam may burn.

8. Uncoil cord and plug into standard electrical outlet. The KEEP WARM indicator light comes on.
9. Press down the ON switch. The COOK indicator light comes on and cooking begins.
10. When rice is cooked, the COOK indicator light shuts off and the switch pops up and the rice cooker automatically switches to the KEEP WARM function. The KEEP WARM indicator light will stay on until the appliance is unplugged.

Note: Do not try to stop the rice cooker from switching to the Warm mode. Do not try to press the ON switch once the KEEP WARM cycle has begun.

11. For best results, let the cooked rice rest for 15 minutes, covered, to further steam the rice. If holding cooked rice longer than 30 minutes, stir rice occasionally to prevent browning of rice on the bottom of the cook bowl.
12. Just before serving, remove lid and fluff rice. Use serving scoop provided with appliance to prevent damage to nonstick surface of the cooking bowl.

CAUTION: When removing the lid, always lift it away from the body to prevent getting burned from the hot steam.

STEAMER BASKET

Refer to cooking chart on page 7 for suggestions on cooking time and seasonings.

1. Pour about 3/4 cup cold tap water into cooking bowl using standard liquid measuring cup. Add seasoning, if desired.
2. Place vegetables or other food in the steaming basket.
3. Place basket on top of cooking bowl. Before placing cooking bowl into rice cooker, be sure the heating plate and outside surface of the cooking bowl are clean and dry. Avoid having any food fall into the rice cooker.
4. Cover with glass lid. Always keep glass lid on while steaming.

NOTE: As food cooks, steam will escape through vent in lid. Place lid on rice cooker so vent is facing away from cabinets and walls. Do not place hand over steam vent while food is cooking; the hot steam may burn.

5. Plug cord into standard electrical outlet. The KEEP WARM indicator light comes on.
6. Press down the ON switch. The COOK indicator light comes on and cooking begins. When heating prepared foods the ON switch and COOK indicator light are not intended to be an indicator of cooking time. Always use a kitchen timer and do leave these foods unattended.
7. Steaming time will vary depending upon type of food and amount to be cooked.
8. Begin checking vegetables after about 8 minutes. (Cooking time will vary depending upon type and amount of food to be cooked.)
9. When cooking is completed remove food and serve. Unplug appliance.
10. The steamer basket has a removable divider that allows you to cook two different foods at one time.

HEATING PACKAGED FOODS

Packaged foods, such as condensed and ready-to-serve soups, pasta products and stews may be heated in the rice cooker following these directions:

1. Place food to be heated into cooking bowl.

CAUTION: Do not fill the cooking bowl higher than the maximum 1.5 cups marking on the cooking bowl.

2. Before placing cooking bowl into rice cooker, be sure the heating plate and outside surface of the cooking bowl are clean and dry. Avoid having any food fall into the rice cooker.
3. Insert cooking bowl into rice cooker.
4. Place glass lid on the cooking bowl.

Note: For best results always keep glass lid on while cooking.

5. Uncoil cord and plug into standard electrical outlet. The KEEP WARM indicator light comes on.
6. Press down the ON switch. The COOK indicator light comes on and cooking begins. As the soup or stew heats, steam may come out through the vent on the glass lid.

CAUTION: Do not place hand over steam vent while rice is cooking; the hot steam may burn.

7. For even heating, stir mixture occasionally during cooking. Replace lid when stirring is completed.
8. Bring mixture to a boil. When heating prepared foods, the ON switch and the COOK indicator light are not intended to be an indicator of cooking time. Always use a kitchen timer and do not leave these foods unattended.
9. When cooking is completed, unplug unit. Do not keep cooked soups and stews in the KEEP WARM cycle.

RICE COOKING CHART

If desired add butter, oil and seasonings after water has been added and before cooking begins. Allow rice to rest 15 minutes on warm before serving.

RICE COOKING GUIDE

FOR WHITE LONG GRAIN, CONVERTED, JASMINE, BASMATI, TEXMATI, YELLOW AND MEDIUM GRAIN RICE

AMOUNT OF RICE	AMOUNT OF WATER	APPROX. COOKING TIME	AMOUNT OF COOKED RICE IN 8-OUNCE CUPS
1 rice measure	to the 1 cup mark	16 to 19 minutes	1½ to 2 cups
2 rice measure	to the 2 cup mark	26 to 28 minutes	3½ to 4 cups
3 rice measures	to the 3 cup mark	26 to 28 minutes	5 to 6 cups

FOR SMALL GRAIN AND PEARL RICE

1 rice measure	to the 1 cup mark	26 to 28 minutes	1½ to 2 cups
2 rice measure	to the 2 cup mark	22 to 24 minutes	2½ to 3 cups
3 rice measures	to the 3 cup mark	26 to 28 minutes	5 to 5½ cups

FOR CONVERTED OR PAR-BOILED RICE

1 rice measure	to the 1 cup mark	25 to 27 minutes	1¾ to 2¼ cups
2 rice measure	to the 2 cup mark	23 to 25 minutes	3¾ to 4¼ cups
3 rice measures	to the 3 cup mark	27 to 29 minutes	2¾ to 5½ cups

FOR BROWN RICE

1 rice measure	to the 1 cup mark	59 to 60 minutes	1½ to 2¼ cups
2 rice measure	to the 2 cup mark	46 to 48 minutes	4 to 4¾ cups
3 rice measures	to the 3 cup mark	61 to 63 minutes	5¾ to 6¾ cups

FOR WILD RICE

1 rice measure	to the 1 cup mark	73 to 76 minutes	1½ to 1¾ cups
----------------	-------------------	------------------	---------------

FOR PACKAGED WHITE AND WILD RICE COMBINATION

1 pkg. (5 oz.)	1¾ cups water	45 to 47 minutes	2 to 2½ cups
----------------	---------------	------------------	--------------

VEGETABLE AND FISH COOKING CHART

All steamed using 3/4 cup cold tap water or room temperature broth or stock.

VEGETABLE	AMOUNT	PREPARATION	TIME	SUGGESTIONS
Fresh Asparagus	5 oz.	2 -inch pieces	13 to 15 minutes	Season with lemon slices, salt and pepper
Fresh Green Beans	7 oz.	2-inch pieces	17 to 19 minutes	Season with dill, salt and garlic pepper
Fresh beets	7 oz.	Peeled and sliced	22 to 24 minutes	Add orange peel, salt and pepper
Fresh Broccoli	5 oz.	Broken into florets	15 to 17 minutes	Add fresh thyme or marjoram leaves
Fresh carrots	9 oz.	Peeled and sliced	19 to 21 minutes	Season with fresh dill and parsley
Fresh cauliflower	9 oz.	Cut into florets	21 to 23 minutes	Serve garnished with buttered bread crumbs
Fresh celery	8 oz.	Cut into 1/2 inch slices	17 to 19 minutes	Season with chives or parsley
Sugar snap or snow peas	8 oz.	Trimmed and left whole	12 to 14 minutes	Serve drizzled with soy sauce and chopped green onions
Peppers	1 large	Cut in strips	13 to 15 minutes	Season with chopped garlic and cilantro
Potatoes	8 oz.	Cut in wedges	21 to 23 minutes	Season with chopped rosemary, salt and garlic pepper
Yellow squash and Zucchini	8 oz.	Sliced	17 to 19 minutes	Serve with diced tomatoes and shredded Parmesan cheese

FISH

Add lemon slices to 3/4 cup water in cooking bowl

Salmon	6 oz.	Fillet	24 to 26 minutes	Season with fresh dill and chives
Shrimp	6 oz.	Peeled and deveined	14 to 16 minutes	Serve with tartar or cocktail sauce

HELPFUL HINTS

- Although the rice measure holds about 5 ounces of uncooked rice; the cooked rice is given in 8-ounce cup measures.
- Kosher salt has no impurities and dissolves faster than table salt. If using kosher salt, you may find you want to add a little more than if using table salt. Use about 3/4 tsp. kosher salt to each cup of uncooked rice.
- White rice should be stored in an airtight container in a cool dark place.
- Brown rice has a limited shelf life; store it for no more than a month before using.
- Try using broth, stock or reconstituted bouillon in place of water for additional flavor. If you do no additional salt may be necessary.

TROUBLESHOOTING

PROBLEM	POSSIBLE CAUSE	SOLUTION
Some kernels of rice do not seem fully cooked	The rice was not allowed to finish cooking.	Once switch on rice cooker changes to KEEP WARM, allow rice to rest for 15 minutes before serving.
Rice cooking bowl not as clean as I would like.	Starch builds up on sides and bottom of bowl.	Fill bowl with hot soapy water and let stand several minutes; then use a nylon scrubber along sides and bottom. Rinse.
Rice boils over.	Too much rice is being cooked.	Make sure to cook no more than the maximum amount suggested in the Use and Care Manual. The amount of rice to be cooked should match the water markings on the bowl.
Rice is too dry.	Too much rice or not enough water.	Use the rice measure cup that comes with the appliance. The rice measure provided holds 2/3 cup uncooked rice – about 5 oz. or 150 grams
Rice is gummy.	Too much water or not enough rice.	Add water to match markings on the rice bowl. Do not use a liquid measuring cup.

Care and Cleaning

This product contains no user serviceable parts. Refer service to qualified service personnel.

- Unplug the unit before cleaning and let it cool completely.
- Never immerse the unit in water or other liquid.
- Wash the cooking bowl, lid, serving scoop and rice measure in warm, soapy water or in the dishwasher. Do not use abrasive cleaners or metal scouring pads – they may scratch the nonstick surface or could result in poor contact with the heating plate.

Helpful Tip: Since the rice cooking bowl has a nonstick coating, try this method: add warm, soapy water and allow the bowl to stand for several minutes. This releases any food particles and with just a wipe of a sponge or plastic scrubber the bowl is perfectly clean.

- Wipe the interior of the unit with a dry cloth. Clean the outside surface with a damp cloth and dry thoroughly.
- If water accidentally gets into the switch area or onto the heating plate, allow to dry thoroughly before using the rice cooker.

INSTRUCCIONES IMPORTANTES DE SEGURIDAD

Cuando se utilizan aparatos eléctricos, se debe respetar ciertas medidas de seguridad, incluyendo las siguientes:

- Por favor lea detenidamente todas las instrucciones antes de utilizar el producto.
- No toque las superficies calientes. Utilice las asas o las perillas.
- A fin de protegerse contra un choque eléctrico, no sumerja el cable, el enchufe ni la base del aparato en agua ni en ningún otro líquido.
- Se debe tomar mucha precaución cuando el producto se utilice por o en la presencia de los menores de edad.
- Desconecte el aparato de la toma de corriente cuando no esté en uso y antes de limpiarlo. Espere que el aparato se enfríe antes de instalar o retirar los accesorios.
- No utilice ningún aparato que tenga el cable o el enchufe estropeado, que presente problema de funcionamiento o que esté dañado. Devuelva el producto a un centro de servicio autorizado para que lo revisen, reparen o ajusten debidamente.
- El uso de accesorios no recomendados por el fabricante de este aparato presenta el riesgo de lesiones.
- No utilice este producto a la intemperie.
- No permita que el cable cuelgue del borde de la mesa o del mostrador ni que entre en contacto con las superficies calientes.
- No coloque el aparato sobre ni cerca de una hornilla de gas o eléctrica, ni adentro de un horno caliente.
- Se debe tener mucho cuidado al pasar el aparato de un lugar a otro si éste contiene alimentos, agua u otros líquidos calientes.
- Para desconectar el aparato, ajuste todo control a la posición de apagado (off) y luego, desconecte el aparato de la toma de corriente.
- Este aparato se deberá utilizar únicamente con el fin provisto.
- A fin de reducir el riesgo de un choque eléctrico, al cocinar, utilice únicamente en el recipiente removible.

CONSERVE ESTAS INSTRUCCIONES.

ENCHUFE POLARIZADO (Solamente para los modelos de 120V)

Este aparato cuenta con un enchufe polarizado (un contacto es más ancho que el otro). A fin de reducir el riesgo de un choque eléctrico, este enchufe encaja en una toma de corriente polarizada en un solo sentido. Si el enchufe no entra en la toma de corriente, inviértalo y si aun así no encaja, consulte con un electricista. Por favor no trate de alterar esta medida de seguridad.

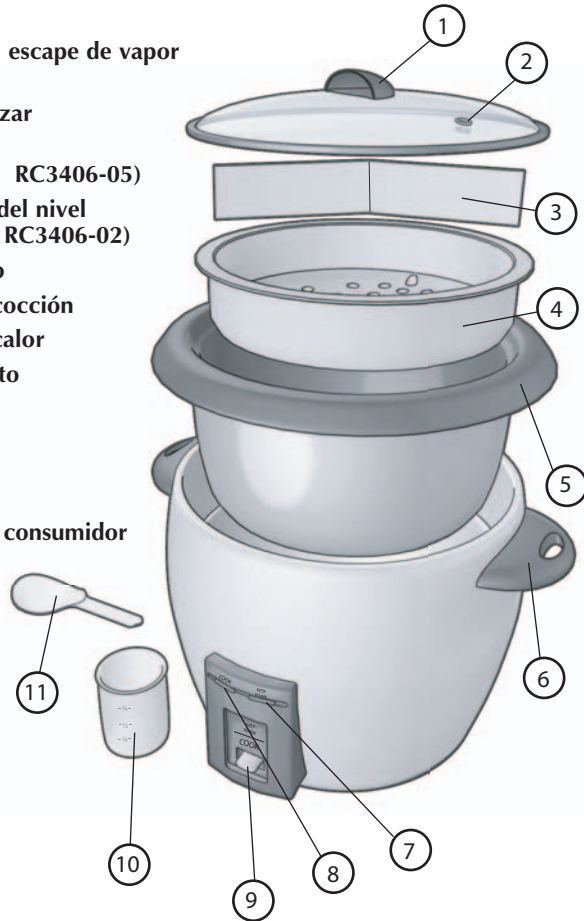
CABLE ELÉCTRICO

- a) El producto se debe proporcionar con un cable eléctrico corto (o uno separable), a fin de reducir el riesgo de tropezar o de enredarse en un cable más largo.
- b) Existen cables eléctricos más largos y separables o cables de extensión que uno puede utilizar si toma el cuidado debido.
- c) Si se utiliza un cable separable o de extensión,
 - 1) El régimen nominal del cable separable o del cable de extensión debe ser, como mínimo, igual al del régimen nominal del aparato.
 - 2) Si el aparato es de conexión a tierra, el cable de extensión debe ser un cable de tres alambres de conexión a tierra.
 - 3) Uno debe acomodar el cable más largo de manera que no cuelgue del mostrador o de la mesa, para evitar que un niño tire del mismo o que alguien se tropiece.

Nota: Si el cordón de alimentación es dañado, en América Latina debe sustituirse por personal calificado o por el centro de servicio autorizado.

Este producto puede variar ligeramente del que aparece ilustrado.

1. Mango de la tapa
- † 2. Tapa de vidrio templado con escape de vapor (Pieza N° RC3406-01)
- † 3. Divisor de la cesta de vaporizar (Pieza N° RC3406-06)
- † 4. Cesta de vaporizar (Pieza N° RC3406-05)
- † 5. Olla de cocinar con marcas del nivel de agua (adentro) (Pieza N° RC3406-02)
6. Asas laterales frescas al tacto
7. Luz indicadora del ciclo de cocción
8. Luz indicadora del ciclo de calor
9. Interruptor de funcionamiento
- † 10. Medidor de arroz (Pieza N° RC3406-03)
- † 11. Cuchara de servir (Pieza N° RC3406-04)
- † Reemplazable/removible por el consumidor



Como usar

Este aparato es solamente para uso doméstico.

PASOS PRELIMINARES

- Retire el material de empaque y toda calcomanía adherida al producto.
- Retire y conserve toda literatura incluida con el producto.
- Lave y seque todas las piezas removibles, según las instrucciones de **CUIDADO Y LIMPIEZA** de este manual.
- Coloque el aparato sobre una superficie plana y estable.

COMO COCINAR EL ARROZ

1. Use el medidor de arroz provisto, para añadir la cantidad de arroz que desea preparar; no use una taza corriente de medir. El medidor provisto acepta 2/3 taza de arroz crudo, aproximadamente 150 g (5 oz). Esta olla arrocera acepta un máximo de 3 medidas de arroz crudo, proporcionando 6 tazas de arroz cocido.

2. Vierta el arroz en la olla de cocinar.

Nota: Para cocer el arroz, use solamente la olla de cocinar provista con este aparato.

3. Use las marcas del nivel de llenado en el interior de la olla como guías para medir el agua necesaria, según la cantidad de arroz que desea preparar. Por ejemplo, para 1 medida de arroz crudo, vierta agua hasta la marca que indica 1 taza. Para evitar que el contenido de la olla se desborde, asegúrese de no exceder la cantidad de agua.
4. Agregue mantequilla o aceite y sazone al gusto.

Nota: La primera vez que prepare arroz, consulte la guía en la página 14. Para un arroz más suave y suelto, agregue más agua; para arroz de consistencia más firme, agregue menos agua.

5. Antes de colocar la olla de cocinar adentro de la arrocera, asegúrese que la placa de calentamiento y la superficie exterior de la olla de cocinar estén limpias y secas. No permita que caigan granos de arroz ni demás alimentos adentro de la arrocera.
6. Inserte la olla de cocinar adentro de la arrocera.
7. Coloque la tapa de vidrio sobre la olla de cocinar. Para mejores resultados, la olla debe permanecer cubierta con la tapa de vidrio mientras el aparato está en funcionamiento.

Nota: Mientras el aparato está en funcionamiento, el escape de la tapa emite vapor. Coloque la tapa sobre la olla de cocinar, de manera que el escape permanezca alejado de los gabinetes y las paredes. Para evitar quemaduras, nunca acerque las manos al escape de vapor.

8. Desenrolle el cable y enchúfelo a una toma de corriente normal. La luz indicadora del ciclo de calor (KEEP WARM) se enciende.
9. Presione el interruptor de funcionamiento (ON). La luz indicadora del ciclo de cocción (COOK) se enciende y el aparato empieza a cocer el arroz.
10. Cuando el arroz está cocido, la luz indicadora del ciclo de cocción se apaga, el interruptor regresa a la posición normal, y la arrocera pasa automáticamente al ciclo de calor. La luz indicadora del ciclo de calor (KEEP WARM) permanece encendida hasta que uno desconecta el aparato.

Nota: No trate de impedir que el aparato pase al ciclo de calor. No presione el interruptor (ON) después de que el aparato entre en funcionamiento.

11. Para mejor resultado, deje reposar el arroz por 15 minutos si desea cocerlo más tiempo. Si conserva el arroz por más de 30 minutos, revuélvalo de vez en cuando para evitar que el arroz del fondo de la olla se dore.
12. Antes de servir, retire la tapa para mezclar el arroz. Use la cuchara provista con el aparato para evitar daño a la superficie antiadherente de la olla de cocinar.

ADVERTENCIA: Para evitar quemaduras de vapor, asegúrese de alejar la tapa de su cuerpo cuando destape la olla arrocera.

13. Desconecte el aparato cuando no esté en uso.

CESTA DE VAPORIZAR

Para sugerencias sobre el tiempo de cocción y condimentos, consulte la guía de cocinar en la página 15

1. Con una taza corriente para medir líquido, vierta aproximadamente 3/4 taza de agua en la olla de cocinar. Sazone los alimentos al gusto.
2. Coloque las legumbres o demás alimentos en la cesta de vaporizar.
3. Coloque la cesta encima de la olla de cocinar. Antes de colocar la olla de cocinar adentro de la arrocera, asegúrese que la placa de calentamiento y la superficie exterior de la olla de cocinar estén limpias y secas. Evite que los alimentos caigan adentro de la olla arrocera.
4. Cubra la olla con la tapa de vidrio. Para vaporizar los alimentos, siempre mantenga cubierta la olla.

Nota: Mientras el aparato está en funcionamiento, el escape de la tapa emite vapor.

Coloque la tapa sobre la olla de cocinar de manera que el escape permanezca alejado de los gabinetes y las paredes. Para evitar quemaduras, nunca acerque las manos al escape de vapor.

5. Enchufe el cable a una toma de corriente normal. La luz indicadora del ciclo de calor (KEEP WARM) se enciende.
6. Presione el interruptor de funcionamiento (ON). La luz indicadora del ciclo de cocción (COOK) se enciende y el aparato empieza a vaporizar los alimentos. Cuando uno calienta alimentos ya preparados, el interruptor de funcionamiento (ON) y la luz indicadora del ciclo de cocción (COOK), no deben ser confundidos por un cronómetro. Siempre utilice un cronómetro de cocina, y no desatienda los alimentos.
7. El tiempo de vaporización varía según el tipo y la cantidad de alimentos.
8. Supervise las legumbres 8 minutos después de iniciar el proceso de vaporización. (El tiempo de cocción varía según el tipo y la cantidad de alimentos a cocinar).
9. Cuando finalice el ciclo de cocción, desconecte el aparato. Retire y sirva los alimentos.
10. La cesta de vaporizar tiene un divisor removible que permite cocinar dos alimentos simultáneamente.

COMO CALENTAR ALIMENTOS ENVASADOS

Los alimentos envasados, como las sopas condensadas listas para servir, las habichuelas, pastas y estofados, pueden ser calentados en la olla arrocera de la siguiente manera:

1. Vierta los alimentos que desea calentar adentro de la olla de cocinar.

ADVERTENCIA: No exceda el nivel de llenado máximo indicado con la marca para 1.5 tazas en la olla de cocinar.

2. Antes de colocar la olla de cocinar adentro de la arrocera, asegúrese que la placa de calentamiento y la superficie exterior de la olla de cocinar estén limpias y secas. No permita que caiga ningún alimento adentro de la olla arrocera.
3. Inserte la olla de cocinar adentro de la arrocera.
4. Coloque la tapa de vidrio sobre la olla de cocinar.

NOTA: Para mejores resultados, siempre mantenga cubierta la olla con la tapa de vidrio cuando el aparato esté en funcionamiento.

5. Desenrolle el cable y enchúfelo a una toma de corriente normal. La luz indicadora del ciclo de calor (KEEP WARM) se enciende.
6. Presione el interruptor de funcionamiento (ON). La luz indicadora del ciclo de cocción (COOK) se enciende y el aparato empieza a calentar los alimentos. Mientras los alimentos se calientan, el escape de la tapa de vidrio puede emitir vapor.

ADVERTENCIA: Para evitar quemaduras, nunca acerque las manos al escape de vapor mientras el aparato está en funcionamiento.

7. Para calentar los alimentos uniformemente, revuélvalos de vez en cuando durante el ciclo de cocción. Cubra la olla nuevamente con la tapa de vidrio después de revolver los alimentos.
8. Lleve los alimentos a un hervor. Cuando uno calienta alimentos ya preparados, el interruptor de funcionamiento (ON) y la luz indicadora del ciclo de cocción (COOK), no deben ser confundidos por un cronómetro. Siempre utilice un cronómetro de cocina, y no desatienda los alimentos.
9. Al finalizar el ciclo de cocción, desconecte el aparato y sirva los alimentos de inmediato.

GUÍA PARA COCINAR EL ARROZ

Antes de dar inicio al ciclo de cocción, y después de agregar el agua, uno puede añadir sazón y aceite o mantequilla al arroz. Permita que el arroz repose a temperatura tibia por lo menos 15 minutos antes de servirlo

GUÍA PARA COCINAR EL ARROZ

PARA EL ARROZ BLANCO DE GRANO LARGO, EL ARROZ PROCESADO, JAZMÍN, BASMATI, AMARILLO Y DE GRANO MEDIANO

CANTIDAD DE ARROZ	CANTIDAD DE AGUA	TIEMPO DE COCCIÓN APROX.	RENDIMIENTO DE ARROZ COCIDO EN MEDIDA DE 8 OZ
1 medida	Hasta la marca 1	De 16 a 19 minutos	De 1½ a 2 tazas
2 medidas	Hasta la marca 2	De 26 a 28 minutos	De 3½ a 4 tazas
3 medidas	Hasta la marca 3	De 26 a 28 minutos	De 5 a 6 tazas

ARROZ PERLA Y DE GRANO PEQUEÑO

1 medida	Hasta la marca 1	De 26 a 28 minutos	De 1½ a 2 tazas
2 medidas	Hasta la marca 2	De 22 a 24 minutos	De 2½ a 3 tazas
3 medidas	Hasta la marca 3	De 26 a 28 minutos	De 5 a 5½ tazas

ARROZ PROCESADO O PRECOCIDO

1 medida	Hasta la marca 1	De 25 a 27 minutos	De 1¾ a 2¼ tazas
2 medidas	Hasta la marca 2	De 23 a 25 minutos	De 3¾ a 4¼ tazas
3 medidas	Hasta la marca 3	De 27 a 29 minutos	De 2¾ a 5¼ tazas

ARROZ INTEGRAL

1 medida	Hasta la marca 1	De 59 a 60 minutos	De 1¾ a 2¼ tazas
2 medidas	Hasta la marca 2	De 46 a 48 minutos	De 4 a 4½ tazas
3 medidas	Hasta la marca 3	De 61 a 63 minutos	De 5¾ a 6¾ tazas

ARROZ SILVESTRE

1 medida	Hasta la marca 1	De 73 a 76 minutos	De 1½ a 1¾ tazas
----------	------------------	--------------------	------------------

COMBINACIÓN DE ARROZ BLANCO Y SILVESTRE ENVASADO

1 paquete (5 oz)	1¾ taza de agua	De 45 a 47 minutos	De 2 a 2¼ tazas
------------------	-----------------	--------------------	-----------------

GUÍA PARA COCINAR LEGUMBRES Y PESCADO

Todos cocidos al vapor con 2/3 taza de agua fría de la llave o con caldos o extractos a temperatura ambiental.

LEGUMBRE	CANTIDAD	PREPARACIÓN	TIEMPO	SUGERENCIAS
Espárragos frescos	5 oz.	Cortados en trozos de 2 pulgadas	De 13 a 15 minutos	Sazonar con rebanadas de limón, sal y pimienta
Habichuelas verdes frescas	7 oz.	Cortar en trozos de 2 pulgadas	De 17 a 19 minutos	Sazonar con eneldo, sal y pimienta de ajo
Remolachas frescas	7 oz.	Pelados y rebanados	De 22 a 24 minutos	Agregar piel de naranja, sal y pimienta
Brócoli fresco	5 oz.	Cortado en floretes	De 15 a 17 minutos	Agregar tomillo fresco y hojas de mejorana
Zanahorias frescas	9 oz.	Pelados y rebanados	De 19 a 21 minutos	Sazonar con perejil y eneldo fresco
Coliflor fresca	9 oz.	Cortada en floretes	De 21 a 23 minutos	Aliñar con migajas de pan pasadas por mantequilla
Apio fresco	8 oz.	Cortado en rebanadas de 1/2 pulgada	De 17 a 19 minutos	Sazonar con cebollinos o perejil
Habichuelas chinas	8 oz.	Recortadas de las puntas y enteras	De 12 a 14 minutos	Aliñar con salsa soya y cebollinos picados
Pimientos	1 grande	Cortados en tiras	De 13 a 15 minutos	Sazonar con ajo picado y cilantro
Patatas	8 oz.	Cortadas en pedazos	21 to 23 minutos	Sazonar con romero picado, sal y pimienta de ajo
Ayote amarillo y calabacines	8 oz.	Rebanados	De 17 a 19 minutos	Servir con tomates en cuadritos y queso Parmesano desmenuzado

PESCADO

Agregar 3/4 taza de agua con rebanadas de limón en la olla de cocinar

Salmón	6 oz.	Fileteado	De 24 a 26 minutos	Sazonar con eneldo fresco y cebollinos
Camarones	6 oz.	Pelados y sin vena	De 14 a 16 minutos	Servir con salsa tártara o de cóctel

CONSEJOS PRÁCTICOS

- Aunque el medidor de arroz provisto con esta olla arrocera acepta 5 onzas de arroz crudo, el arroz ya cocido equivale a una taza de 8 onzas.
- La sal "Kosher" (sal autorizada por la religión judía) no contiene impurezas y se disuelve más rápido. Si usa este tipo de sal, agregue un poco más que de costumbre con sal de mesa. Agregue 3/4 cda de sal "Kosher" por cada taza de arroz crudo.
- El arroz blanco debe ser almacenado en un recipiente hermético en un lugar oscuro y fresco.
- El arroz integral tiene una vida útil limitada; no se debe guardar por más de un mes sin consumirlo.
- Para más sabor, use caldos, extractos, o esencias en vez de agua. El hacerlo podría eliminar el uso de la sal.

DETECCIÓN DE FALLAS

PROBLEMA	POSIBLE CAUSA	SOLUCIÓN
Ciertos granos de arroz no se cocinan bien.	No se permitió que el arroz se terminara de cocer.	Una vez que el interruptor del aparato pase al ciclo de calor (KEEP WARM), espere que el arroz repose por 15 minutos antes de servirlo.
La olla de cocinar no luce tan limpia como gustaría.	El almidón se acumula a los costados y en fondo de la olla.	Llene la olla con agua caliente jabonada y deje reposar por unos minutos. Después, limpie los costados y el fondo de la olla con una almohadilla de nailon y enjuáguela bien.
El arroz se desborda de la olla.	Se ha cocinado demasiado arroz.	Asegúrese de no cocinar más de la cantidad máxima sugerida en el manual de Uso y Cuidado. La cantidad de arroz a prepararse, debe coincidir con las marcas del nivel de agua en la olla.
El arroz resulta muy seco.	Exceso de arroz o falta de agua	Use el medidor de arroz provisto con el aparato. El medidor provisto acepta taza, o 150 g (5 oz) de arroz crudo.
El arroz resulta pegajoso	Exceso de agua o falta de arroz.	Agregue agua hasta coincidir con las marcas en la olla arrocera. No use una taza para medir líquidos.

Cuidado y limpieza

El aparato no contiene piezas reemplazables por el consumidor. Para servicio, acuda a personal de asistencia calificado.

- Desconecte la olla y espere que se enfríe bien antes de limpiarla.
- Nunca sumerja la olla en agua ni en ningún otro líquido.
- Lave la olla de cocinar, la tapa, la cuchara de servir y el medidor de arroz, con agua tibia jabonada o en la máquina lavaplatos. No utilice limpiadores abrasivos ni almohadillas de fibra metálica; estos pueden rayar el recubrimiento antiadherente de la olla o perjudicar el contacto con la placa de calentamiento.

Consejo práctico: En vista de que la olla de cocinar tiene un recubrimiento antiadherente, se recomienda agregarle agua tibia jabonada y dejarla reposar por varios minutos. Esto desprende las partículas de comida y con solo pasarle una esponja o una almohadilla de fibras plásticas, la olla queda perfectamente limpia.

- Limpie el interior del aparato con un paño seco. Limpie la superficie exterior con un paño humedecido y séquela bien.
- Si llegase a caer agua en el área del interruptor o sobre la placa de calentamiento, espere que el aparato se seque completamente antes de usarlo nuevamente.

IMPORTANTES MISES EN GARDE

Lorsqu'on utilise un appareil électrique, il faut toujours respecter certaines règles de sécurité fondamentales, notamment les suivantes.

- Lire toutes les directives.
- Ne pas toucher aux surfaces chaudes; utiliser les poignées et les boutons.
- Afin d'éviter de secousses électriques, ne pas immerger le cordon, la fiche ni le socle de l'appareil.
- Exercer une étroite surveillance lorsqu'on utilise l'appareil près d'un enfant ou que ce dernier s'en sert.
- Débrancher l'appareil lorsqu'on ne s'en sert pas et avant de le nettoyer. Laisser l'appareil refroidir avant d'en remplacer des composantes.
- Ne pas utiliser un appareil dont la fiche ou le cordon est abîmé, qui présente un problème de fonctionnement ou qui est endommagé. Confier l'examen, la réparation ou le réglage de l'appareil au personnel du centre de service autorisé de la région.
- L'utilisation d'accessoires non recommandés par le fabricant de l'appareil présente des risques de blessures.
- Ne pas utiliser à l'extérieur.
- Ne pas laisser pendre le cordon d'une table ou d'un comptoir, ni le laisser entrer en contact avec une surface chaude.
- Ne pas placer sur ni près d'une cuisinière au gaz ou à l'électricité chaude, ni dans un four réchauffé.
- Faire preuve d'une extrême prudence lorsqu'on déplace l'appareil renfermant des aliments, de l'eau ou des liquides chauds.
- Pour le débrancher, il faut d'abord mettre toutes les commandes en position hors tension (off), puis il faut débrancher le cordon de la prise.
- Utiliser l'appareil uniquement aux fins auxquelles il a été prévu.
- Pour réduire le risque de choc électrique, cuire uniquement dans le conteneur amovible.

CONSERVER CES INSTRUCTIONS.

FICHE POLARISÉE (Modèles de 120 V seulement)

L'appareil est muni d'une fiche polarisée (une lame plus large que l'autre). Afin de minimiser les risques de secousses électriques, ce genre de fiche n'entre que d'une façon dans une prise polarisée. Lorsqu'on ne peut insérer la fiche à fond dans la prise, il faut tenter de le faire après avoir inversé les lames de côté. Si la fiche n'entre toujours pas dans la prise, il faut communiquer avec un électricien certifié. Il ne faut pas tenter de modifier la fiche.

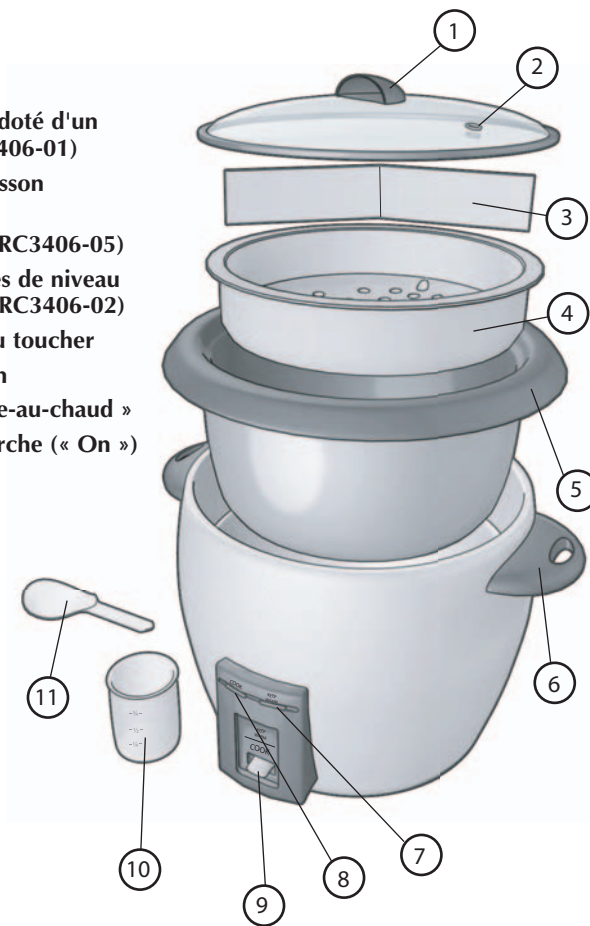
CORDON

- Le cordon d'alimentation de l'appareil est court (ou amovible) afin de minimiser les risques d'enchevêtrement ou de trébuchement.
- Il existe des cordons d'alimentation amovible ou de rallonge plus longs et il faut s'en servir avec prudence.
- Lorsqu'on utilise un cordon d'alimentation amovible de rallonge plus long, il faut s'assurer que :
 - la tension nominale du cordon d'alimentation amovible ou de rallonge soit au moins égale à celle de l'appareil, et que;
 - lorsque l'appareil est de type mis à la terre, il faut utiliser un cordon de rallonge mis à la terre à trois broche; and
 - le cordon plus long soit placé de sorte qu'il ne soit pas étalé sur le comptoir ou la table d'où des enfants pourraient le tirer, ni placé de manière à provoquer un trébuchement.

Note : Lorsque le cordon d'alimentation est endommagé, il faut le faire remplacer par du personnel qualifié ou, en Amérique latine, par le personnel d'un centre de service autorisé.

Le produit peut différer légèrement de celui illustré.

- Poignée du couvercle
- † Couvercle en verre trempé doté d'un évent à vapeur (pièce n° RC3406-01)
- † Séparateur de panier de cuisson (pièce n° RC3406-06)
- † Panier de cuisson (pièce n° RC3406-05)
- † Bol de cuisson avec marques de niveau d'eau (l'intérieur) (pièce n° RC3406-02)
- Poignées latérales froides au toucher
- Témoin lumineux de cuisson
- Témoin lumineux de « garde-au-chaud »
- Interrupteur de mise en marche (« On »)
- † Tasse à mesurer (pièce n° RC3406-03)
- † Cuillère de service (pièce n° RC3406-04)
- † Pièce amovible e remplaçable par le consommateur



Utilisation

L'appareil est conçu pour une utilisation domestique seulement.

POUR COMMENCER

- Retirer le matériau d'emballage et les autocollants de l'appareil.
- Retirer et mettre de côté les instructions.
- Laver et sécher toutes les pièces amovibles en suivant les recommandations de la section **ENTRETIEN ET NETTOYAGE** du présent guide.
- Déposer le récipient sur une surface plane et stable.

CUISSON DU RIZ

1. À l'aide de la tasse à mesurer comprise, mesurer la quantité de riz que vous souhaitez faire cuire; ne pas utiliser de tasse à mesurer d'une tasse. (La tasse à mesurer comprise contient 2/3 de tasse riz non cuit, soit environ 5 oz ou 150 grammes). Ce cuiseur à riz peut cuire jusqu'à 3 mesures de riz, pour un maximum d'environ 1,5 litres (soit 6 tasses) de riz cuit.
2. Placer le riz dans le bol de cuisson.

Remarque : Utiliser seulement le bol de cuisson fourni pour cuire du riz.

3. En vous guidant à l'aide des marques de niveau d'eau situées à l'intérieur du bol de cuisson, ajouter la quantité d'eau qui correspond au nombre de tasses de riz à cuire. Par exemple, pour préparer deux mesures de riz, ajouter de l'eau jusqu'à la marque de une tasse d'eau. Éviter d'ajouter trop d'eau car le contenu risque de déborder.
4. Ajouter le beurre ou l'huile et, au besoin, les assaisonnements.

Remarque : La première fois que vous préparez du riz, référez-vous au guide pratique de cuisson du riz à la pages 24 et 25. Pour obtenir un riz duveteux et moelleux, ajouter un peu plus d'eau; pour un riz à la texture plus ferme, utiliser un peu moins d'eau.

5. Avant de placer le bol de cuisson dans le cuiseur à riz, s'assurer que la plaque chauffante et la surface extérieure du bol de cuisson sont propres et sèches. Éviter de laisser tomber des grains de riz ou tout autre aliment dans le cuiseur.
6. Placer le bol de cuisson à l'intérieur du cuiseur à riz.
7. Placer le couvercle en verre sur le bol de cuisson. Pour de meilleurs résultats, toujours laisser le couvercle en verre sur le bol pendant la cuisson.

Remarque : Pendant la cuisson du riz, de la vapeur s'échappera par l'évent du couvercle. Placer le couvercle en verre sur le cuiseur à riz de façon que l'évent à vapeur soit dirigé loin des armoires et des murs. Ne pas placer les mains au-dessus de l'évent pendant la cuisson du riz puisque la vapeur chaude peut causer des brûlures.

8. Dérouler le cordon d'alimentation et le brancher dans une prise de courant standard. Le témoin lumineux de GARDE-AU-CHAUD (« KEEP WARM ») s'allumera.
9. Appuyer sur l'interrupteur de mise en marche (« ON »). Le témoin lumineux de CUISSON s'allume et la cuisson commence.
10. Une fois le riz cuit, le témoin lumineux de CUISSON (« COOK ») s'éteint, l'interrupteur reprend sa position initiale et le cuiseur à riz passe automatiquement en mode « Garde-au-chaud ». Le témoin lumineux de GARDE-AU-CHAUD restera allumé jusqu'à ce que l'appareil soit débranché.

Remarque : Ne pas tenter d'empêcher le cuiseur à riz de passer en mode « Garde-au-chaud ». Ne pas tenter d'appuyer sur l'interrupteur de mise en marche (« ON ») après l'entrée en fonction du mode « Garde-au-chaud ».

11. Pour obtenir de meilleurs résultats, placer le couvercle sur le bol et laisser le riz reposer pendant 15 minutes, afin de poursuivre la cuisson par la vapeur. Si le riz doit attendre plus de 30 minutes, s'assurer de le remuer de temps à autre pour empêcher que le riz situé au fond du bol de cuisson ne brunisse.

12. Juste avant de servir, retirer le couvercle et remuer le riz délicatement. Utiliser la cuillère de service fournie avec l'appareil pour éviter d'endommager la surface antiadhésive du bol de cuisson.

MISE EN GARDE : En retirant le couvercle, s'assurer de le soulever en l'éloignant du corps ou du visage pour éviter de se brûler par la vapeur qui s'échappe.

13. Débrancher le cuiseur à riz quand il ne sert pas.

PANIER DE CUISSON À LA VAPEUR

Consulter le tableau de cuisson du riz à la page 26 et 27 pour connaître le temps de cuisson recommandé et obtenir des suggestions d'assaisonnement.

1. Verser environ 3/4 tasse d'eau froide du robinet dans le bol de cuisson en mesurant à l'aide d'une tasse à mesurer les liquides ordinaire. Ajouter des assaisonnements, si désiré.
2. Placer les légumes ou d'autres aliments dans le panier de cuisson.
3. Placer le panier de cuisson sur le bol de cuisson. Avant de placer le bol de cuisson dans le cuiseur à riz, s'assurer que la plaque chauffante et la surface extérieure du bol de cuisson sont propres et sèches. Éviter de laisser tomber des grains de riz ou tout autre aliment dans le cuiseur.
4. Placer le couvercle en verre sur le bol de cuisson. Toujours laisser le couvercle en verre sur le bol pendant la cuisson à la vapeur.

Remarque : Pendant la cuisson des aliments, de la vapeur s'échappera par l'évent du couvercle. Placer le couvercle en verre sur le cuiseur à riz de façon que l'évent à vapeur soit dirigé loin des armoires et des murs. Ne pas placer les mains au-dessus de l'évent pendant la cuisson des aliments puisque la vapeur chaude peut causer des brûlures.

5. Brancher le cordon d'alimentation dans une prise de courant standard. Le témoin lumineux de GARDE-AU-CHAUD (« KEEP WARM ») s'allumera.
6. Appuyer sur l'interrupteur de mise en marche (« ON »). Le témoin lumineux de CUISSON (« COOK ») s'allume et la cuisson commence. L'interrupteur de mise en marche (« ON ») et le témoin lumineux de CUISSON (« COOK ») ne sont pas conçus pour indiquer le temps de cuisson pour le réchauffement d'aliments préparés. Toujours utiliser une minuterie de cuisine et ne jamais laisser ces aliments sans surveillance.
7. Le temps de cuisson à la vapeur variera en fonction du type d'aliment à cuire et de sa quantité.
8. Commencer à vérifier la cuisson des légumes après 8 minutes. (Le temps de cuisson variera en fonction du type d'aliment à cuire et de sa quantité).
9. Une fois la cuisson terminée, retirer les aliments et servir. Débrancher l'appareil.
10. Le panier de cuisson est doté d'un séparateur amovible qui permet de faire cuire deux types d'aliment différents en même temps.

RÉCHAUFFER DES ALIMENTS PRÉPARÉS

Les aliments préparés, tels que les soupes condensées ou prêtes à servir, les haricots, les pâtes et les ragoûts peuvent être réchauffés dans le cuiseur à riz en suivant les étapes suivantes :

1. Placer l'aliment à réchauffer dans le bol de cuisson.

MISE EN GARDE : Ne pas remplir le bol de cuisson au-delà de la marque maximale de 1.5 tasses indiquée sur le bol de cuisson.

2. Avant de placer le bol de cuisson dans le cuiseur à riz, s'assurer que la plaque chauffante et la surface extérieure du bol de cuisson sont propres et sèches. Éviter de laisser tomber des grains de riz ou tout autre aliment dans le cuiseur.
3. Placer le bol de cuisson à l'intérieur du cuiseur à riz.
4. Placer le couvercle en verre sur le bol de cuisson.

REMARQUE : Pour obtenir de meilleurs résultats, toujours laisser le couvercle en verre sur le bol pendant la cuisson.

5. Dérouler le cordon d'alimentation et le brancher dans une prise de courant standard. Le témoin lumineux de GARDE-AU-CHAUD (« KEEP WARM ») s'allumera.
 6. Appuyer sur l'interrupteur de mise en marche (« ON »). Le témoin lumineux de CUISSON (« COOK ») s'allume et la cuisson commence. Pendant la cuisson des aliments, de la vapeur s'échappera par l'évent du couvercle de verre.
- MISE EN GARDE : Ne pas placer les mains au-dessus de l'évent pendant la cuisson des aliments puisque la vapeur chaude peut causer des brûlures.**
7. Pour réchauffer les aliments uniformément, les remuer de temps à autre pendant la cuisson. Remettre le couvercle en place après avoir remué les aliments.
 8. Amener le mélange à ébullition. L'interrupteur de mise en marche (« ON ») et le témoin lumineux de CUISSON (« COOK ») ne sont pas conçus pour indiquer le temps de cuisson pour le réchauffement d'aliments préparés. Toujours utiliser une minuterie de cuisine et ne jamais laisser ces aliments sans surveillance.
 9. Une fois la cuisson terminée, débrancher l'appareil et servir immédiatement.

TABLEAU POUR LA CUISSON DU RIZ

Si désiré, ajouter du beurre, de l'huile et des assaisonnements après avoir versé l'eau dans l'appareil et avant de débiter la cuisson. Laisser le riz reposer environ 15 minutes en mode « Garde-au-chaud » (« KEEP WARM ») avant de servir.

TABLEAU POUR LA CUISSON DU RIZ

POUR LE RIZ BLANC À LONG GRAIN, ÉTUVÉ, JASMINE, BASMATI, TEXMATI, JAUNE ET À GRAIN MOYEN

QUANTITÉ DE RIZ	QUANTITÉ D'EAU	TEMPS DE CUISSON APPROXIMATIF	QUANTITÉ DE RIZ CUIT OBTENU (TASSES DE 8 ONCES (250 ML / 225 G / 1 TASSE))
1 mesure de riz	Remplir jusqu'à la marque 1 tasse (250 ml)	16 à 19 minutes	1½ à 2 tasses (375 à 500 ml)
2 mesures de riz	Remplir jusqu'à la marque de 2 tasses (500 ml)	26 à 28 minutes	3½ à 4 tasses (875 ml à 1 l)
3 mesures de riz	Remplir jusqu'à la marque de de 3 tasses (750 ml)	26 à 28 minutes	5 à 6 tasses (1,3 à 1,5 l)

POUR LE RIZ À GRAIN COURT OU À GRAIN ROND

1 mesure de riz	Remplir jusqu'à la marque de 1 tasse (250 ml)	26 à 28 minutes	1½ à 2 tasses (375 à 500 ml)
2 mesures de riz	Remplir jusqu'à la marque de 2 tasses (500 ml)	22 à 24 minutes	2½ à 3 tasses (625 ml à 750 ml)
3 mesures de riz	Remplir jusqu'à la marque de 3 tasses (750 ml)	26 à 28 minutes	5 à 5½ tasses (1,25 l à 1,37 l)

POUR LE RIZ ÉTUVÉ OU PRÉCUIT

1 mesure de riz	Remplir jusqu'à la marque de 1 tasse (250 ml)	25 à 27 minutes	1¾ à 2¼ tasses (438 ml à 563 ml)
2 mesures de riz	Remplir jusqu'à la marque de 2 tasses (500 ml)	23 à 25 minutes	3¾ à 4¾ tasses (938 ml à 1,06 l)
3 mesures de riz	Remplir jusqu'à la marque de 3 tasses (750 ml)	27 to 29 minutes	2¾ à 5¼ tasses (687 ml à 1,31 l)

QUANTITÉ DE RIZ	QUANTITÉ D'EAU	TEMPS DE CUISSON APPROXIMATIF	QUANTITÉ DE RIZ CUIT OBTENU (TASSES DE 8 ONCES (250 ML / 225 G / 1 TASSE))
POUR LE RIZ COMPLET OU BRUN			
1 mesure de riz	Remplir jusqu'à la marque de 1 tasse (250 ml)	59 à 60 minutes	1 ¾ à 2 ¼ tasses (438 ml à 563 ml)
2 mesures de riz	Remplir jusqu'à la marque de 2 tasses (500 ml)	46 à 48 minutes	4 à 4 ½ tasses (1 l à 1,13 l)
3 mesures de riz	Remplir jusqu'à la marque de 3 tasses (750 ml)	61 à 63 minutes	5 ¾ à 6 ¼ tasses (1,48 l à 1,56 l)
POUR LE RIZ SAUVAGE			
1 mesure de riz	Remplir jusqu'à la marque de 1 tasse	73 à 76 minutes	1 ½ à 1 ¾ tasses (375 ml à 438 ml)
POUR UN PAQUET DE MÉLANGE AU RIZ BLANC ET AU RIZ SAUVAGE			
1 paquet (5 oz/142 g)	1 ½ tasses d'eau (415 ml)	45 à 47 minutes	2 à 2 ¼ tasses (500 ml à 563 ml)

TABLEAU POUR LA CUISSON À LA VAPEUR DES LÉGUMES ET DU POISSON

Tous les aliments peuvent être cuits à la vapeur à l'aide de 3/4 tasses (180 ml) d'eau froide du robinet, de fond de sauce ou de bouillon de légumes à la température ambiante

LÉGUME	QUANTITÉ	PRÉPARATION	TEMPS DE CUISSON	SUGGESTIONS
Asperges fraîches	5 oz (140 g)	Couper en morceaux de 2 po (5 cm)	13 à 15 minutes	Assaisonner avec du sel, du poivre et des tranches de citron
Haricots verts frais	7 oz (200 g)	Couper en morceaux de 2 po (5 cm)	17 à 19 minutes	Assaisonner avec du sel, du poivre d'ail et de l'aneth
Betteraves fraîches	7 oz (200 g)	Peler et couper en tranches	22 à 24 minutes	Assaisonner avec du sel, du poivre et du zeste d'orange râpé
Brocoli frais	5 oz (140 g)	Séparer en fleurons	15 à 17 minutes	Assaisonner avec du thym frais ou des feuilles de marjolaine
Carottes fraîches	9 oz (255 g)	Peler et couper en tranches	19 à 21 minutes	Assaisonner avec de l'aneth et du persil frais
Carottes fraîches	9 oz (255 g)	Peler et couper en tranches	19 à 21 minutes	Assaisonner avec de l'aneth et du persil frais
Chou-fleur frais	8 oz (225 g)	Couper en fleurons	21 à 23 minutes	Garnir avec des croûtons de pain au beurre
Céleri frais	8 oz (225 g)	Couper en tranches de 1/2 po (1,25 cm)	17 à 19 minutes	Assaisonner avec de la ciboulette ou du persil
Pois « Sugar Snap » ou pois mange-tout	8 oz (225 g)	Couper les extrémités et garder les pois entiers	12 à 14 minutes	Servir avec un filet de sauce soya et des oignons verts hachés
Poivron	1 gros	Couper en lanières	13 à 15 minutes	Assaisonner avec de l'ail haché et de la coriandre
Pommes de terre	8 oz (225 g)	Couper en quartiers	21 à 23 minutes	Assaisonner avec du rosemary, salt and garlic pepperset, du poivre d'ail et du romarin haché
Courge jaune et courgette (zucchini)	8 oz (225 g)	Peler	17 à 19 minutes	Garnir avec des tomates en dés et du fromage parmesan râpé

LÉGUME	QUANTITÉ	PRÉPARATION	TEMPS DE CUISSON	SUGGESTIONS
POISSON				
Placer des tranches de citron et 3/4 tasses d'eau dans le bol de cuisson				
Saumon	6 oz (170 g)	Filets	24 à 26 minutes	Assaisonner avec de l'aneth frais et de la ciboulette
Crevettes	6 oz (170 g)	Décortiquer et déveiner	14 à 16 minutes	Servir avec de la sauce tartare ou de la sauce cocktail

CONSEILS PRATIQUES

- Bien que la tasse à mesurer le riz contienne environ 5 onces (155 ml / 150 g) de riz non cuit, la quantité de riz cuit obtenu est indiquée en fonction d'une tasse de 8 onces (250 ml).
- Le sel kasher n'a pas d'impuretés et se dissout plus rapidement que le sel de table. Au moment de l'utilisation du sel kasher, vous préférerez peut-être en ajouter une quantité un peu plus grande que s'il s'agissait de sel de table.
- Le riz blanc doit être conservé dans un contenant hermétique et gardé dans un endroit frais et sombre.
- Le riz complet ne se conserve pas longtemps. Éviter de le garder plus d'un mois avant de l'utiliser.
- Pour rehausser la saveur, utiliser du bouillon, un fond de sauce ou du bouillon reconstitué au lieu de l'eau. Il est possible qu'il ne soit pas nécessaire d'ajouter du sel dans ce cas.

DÉPANNAGE

PROBLÈME	CAUSE POSSIBLE	SOLUTION
Certains grains de riz ne sont pas parfaitement cuits.	La cuisson du riz n'a pas eu le temps de se terminer.	Après que le cuiseur à riz est passé en mode GARDE-AU-CHAUD , laisser le riz reposer 15 minutes avant de servir.
Le bol de cuisson du riz n'est pas aussi propre que souhaité.	Il y a une accumulation d'amidon sur les côtés et le fond du bol.	Remplir le bol d'eau chaude savonneuse et laisser tremper plusieurs minutes. Utiliser ensuite un tampon à récurer en nylon pour frotter les côtés et le fond du bol. Rincer.
Le riz déborde.	Il y a trop de riz dans le bol de cuisson.	S'assurer de ne pas faire cuire plus que la quantité maximale de riz suggérée dans le Guide d'entretien et d'utilisation. La quantité de riz à cuire doit correspondre aux marques de quantité d'eau inscrites sur le bol.
Le riz est trop sec.	Il y a trop de riz ou pas assez d'eau.	Utiliser la tasse à mesurer fournie avec l'appareil. La tasse contient 2/3 de tasse de riz non cuit, soit environ 5 oz ou 150 g.
Le riz est collant.	Il y a trop d'eau ou pas assez de riz.	Ajouter de l'eau jusqu'aux marques sur le bol à cuisson. Ne pas utiliser de tasse à mesurer pour les liquides.

Entretien et nettoyage

L'utilisateur ne peut effectuer lui-même l'entretien d'aucune pièce de cet appareil. En confier l'entretien à du personnel qualifié.

- Avant de nettoyer l'appareil, le débrancher et le laisser refroidir complètement.
- Ne jamais immerger l'appareil dans l'eau ou tout autre liquide.
- Laver le bol de cuisson, le couvercle, la cuillère de service et la tasse à mesurer dans l'eau tiède savonneuse ou dans le lave-vaisselle. Ne pas utiliser de nettoyants abrasifs ni de tampon à récurer métallique puisque ceux-ci risquent d'égratigner la surface antiadhésive ou d'entraîner un mauvais contact avec la plaque chauffante

Conseil pratique : Puisque le bol de cuisson comporte un revêtement antiadhésif, la solution suivante peut s'avérer utile : remplir le bol d'eau tiède savonneuse et laisser tremper pendant plusieurs minutes. Ainsi, les particules de nourriture seront délogées et, si vous essuyez le bol d'un coup d'éponge ou de tampon à récurer, le bol de cuisson deviendra parfaitement propre.

- Essuyer les parois intérieures de l'appareil à l'aide d'un chiffon sec. Nettoyer les surfaces extérieures à l'aide d'un chiffon humide et sécher complètement.
- Si de l'eau pénètre accidentellement dans la zone de l'interrupteur ou sur la plaque chauffante, laisser le cuiseur à riz sécher complètement avant de l'utiliser.

NEED HELP?

For service, repair or any questions regarding your appliance, call the appropriate "800" number on the cover of this book. Do not return the product to the place of purchase. Do not mail the product back to the manufacturer nor bring it to a service center. You may also want to consult the website listed on the cover of this manual.

One-Year Limited Warranty (Applies only in the United States and Canada)

What does it cover?

- Any defect in material or workmanship; provided; however, Applica's liability will not exceed the purchase price of the product.

For how long?

- One year after the date of original purchase.

What will we do to help you?

- Provide you with a reasonably similar replacement product that is either new or factory refurbished.

How do you get service?

- Save your receipt as proof of the date of sale.
- Check our on-line service site at www.prodprotect.com/applica, or call our toll-free number, 1-800-231-9786, for general warranty service.
- If you need parts or accessories, please call 1-800-738-0245.

What does your warranty not cover?

- Damage from commercial use
- Damage from misuse, abuse or neglect
- Products that have been modified in any way
- Products used or serviced outside the country of purchase
- Glass parts and other accessory items that are packed with the unit
- Shipping and handling costs associated with the replacement of the unit
- Consequential or incidental damages (Please note, however, that some states do not allow the exclusion or limitation of consequential or incidental damages, so this limitation may not apply to you.)

How does state law relate to this warranty?

- This warranty gives you specific legal rights, and you may also have other rights that vary from state to state or province to province.

¿NECESITA AYUDA?

Para servicio, reparaciones o preguntas relacionadas al producto, por favor llame al número del centro de servicio en el país donde usted compró su producto.

NO devuelva el producto al fabricante. Llame o lleve el producto a un centro de servicio autorizado.

DOS AÑOS DE GARANTÍA LIMITADA

(No aplica en México, Estados Unidos o Canadá)

¿Qué cubre la garantía?

- La garantía cubre cualquier defecto de materiales o de mano de obra. Aplica no se responsabiliza por ningún costo que exceda el valor de compra del producto.

¿Por cuánto tiempo es válida la garantía?

- Por dos años a partir de la fecha original de compra.

¿Cómo se puede obtener servicio?

- Conserve el recibo original de compra.
- Por favor llame al número del centro de servicio autorizado.

Esta garantía no cubre:

- Los productos que han sido utilizados en condiciones distintas a las normales
- Los daños ocasionados por el mal uso, el abuso o negligencia.
- Los productos que han sido alterados de alguna manera
- Los daños ocasionados por el uso comercial del producto
- Los productos utilizados o reparados fuera del país original de compra
- Las piezas de vidrio y demás accesorios empacados con el aparato
- Los gastos de tramitación y embarque asociados al reemplazo del producto
- Los daños y perjuicios indirectos o incidentales

BESOIN D'AIDE?

Pour communiquer avec les services d'entretien ou de réparation, ou pour adresser toute question relative au produit, composer le numéro sans frais approprié indiqué sur la page couverture. Ne pas retourner le produit où il a été acheté. Ne pas poster le produit au fabricant ni le porter dans un centre de service. On peut également consulter le site web indiqué sur la page couverture.

Garantie limitée de un an

(Valable seulement aux États-Unis et au Canada)

Quelle est la couverture?

- Tout défaut de main-d'oeuvre ou de matériau; toutefois, la responsabilité de la société Aplica se limite au prix d'achat du produit.

Quelle est la durée?

- Un an après l'achat original.

Quelle aide offrons nous?

- Remplacement par un produit raisonnablement semblable nouveau ou réusiné.

Comment se prévaut-on du service?

- Conserver son reçu de caisse comme preuve de la date d'achat.
- Visiter notre site web au www.prodprotect.com/aplica, ou composer sans frais le 1 800 231-9786, pour obtenir des renseignements généraux relatifs à la garantie.
- On peut également communiquer avec le service des pièces et des accessoires au 1 800 738-0245.

Qu'est-ce que la garantie ne couvre pas?

- Des dommages dus à une utilisation commerciale.
- Des dommages causés par une mauvaise utilisation ou de la négligence.
- Des produits qui ont été modifiés.
- Des produits utilisés ou entretenus hors du pays où ils ont été achetés.
- Des pièces en verre et tout autre accessoire emballés avec le produit.
- Les frais de transport et de manutention reliés au remplacement du produit.
- Des dommages indirects (il faut toutefois prendre note que certains états ne permettent pas l'exclusion ni la limitation des dommages indirects).

Quelles lois régissent la garantie?

- Les modalités de la présente garantie donnent des droits légaux spécifiques. L'utilisateur peut également se prévaloir d'autres droits selon l'état ou la province qu'il habite.

Póliza de Garantía
(Válida sólo para México)

Duración

Applica de México, S. de R. L. de C.V. garantiza este producto por 2 años a partir de la fecha original de compra.

¿Qué cubre esta garantía?

Esta Garantía cubre cualquier defecto que presenten las piezas, componentes y la mano de obra contenidas en este producto.

Requisitos para hacer válida la garantía

Para reclamar su Garantía deberá presentar al Centro de Servicio Autorizado la póliza sellada por el establecimiento en donde adquirió el producto. Si no la tiene, podrá presentar el comprobante de compra original.

¿Donde hago válida la garantía?

Llame sin costo al teléfono 01 800 714 2503, para ubicar el Centro de Servicio Autorizado más cercano a su domicilio en donde usted podrá encontrar partes, componentes, consumibles y accesorios.

Procedimiento para hacer válida la garantía

Acuda al Centro de Servicio Autorizado con el producto con la póliza de Garantía sellada o el comprobante de compra original, ahí se reemplazará cualquier pieza o componente defectuoso sin cargo alguno para el usuario final. Esta Garantía incluye los gastos de transportación que se deriven de su cumplimiento.

Excepciones

Esta Garantía no será válida cuando el producto:

- A) Se hubiese utilizado en condiciones distintas a las normales.
- B) No hubiese sido operado de acuerdo con el instructivo de uso que le acompaña.
- C) Cuando el producto hubiese sido alterado o reparado por personas no autorizadas por Applica de México, S. de R. L. de C.V.

Nota: Usted podrá encontrar partes, componentes, consumibles y accesorios en los centros de servicios autorizados. Esta garantía incluyen los gastos de transportación que se deriven de sus cumplimiento dentro de sus red de servicio.

Por favor llame al número correspondiente que aparece en la lista a continuación para solicitar que se haga efectiva la garantía y donde Ud. puede solicitar servicio, reparaciones o partes en el país donde el producto fué comprado. También puede consultarnos en el e-mail. "servicio@applicamail.com.mx"

Argentina

Servicio Central Attendace
Monroe 3351 Ciudad
Autónoma de Bs. As.
Buenos Aires Argentina
Tel. 0810-999-8999

Chile

Servicio Máquinas y
Herramientas Ltda.
Av. Apoquindo No. 4867 -
Las Condes
Santiago, Chile
Tel.: (562) 263-2490

Colombia

PLINARES
Avenida Quito # 88A-09
Bogotá, Colombia
Tel. sin costo 01 800
7001870

Costa Rica

Aplicaciones
Electromecánicas, S.A.
Calle 26 Bis y Ave. 3
San Jose, Costa Rica
Tel.: (506) 257-5716
223-0136

Ecuador

Servicio Master de Ecuador
Av. 6 de Diciembre 9276
y los Alamos
Tel. (593) 2281-3882

El Salvador

Calle San Antonio Abad
2936
San Salvador, El Salvador
Tel. (503) 2284-8374

Guatemala

MacPartes SA
3ª Calle 414 Zona 9
Frente a Tecun
Tel. (502) 2331-5020
2332-2101

Honduras

ServiTotal
Contigua a Telecentro
Tegucigalpa, Honduras,
Tel. (504) 235-6271

México

Artículo 123 # 95 Local
109 y 112
Col. Centro, Cuauhtemoc,
México, D.F.
Tel. 01 800 714 2503

Nicaragua

ServiTotal
De semáforo de portezuelo
500 metros al sur.
Managua, Nicaragua,
Tel. (505) 248-7001

Panamá

Servicios Técnicos CAPRI
Tumbamuerto Boulevard
El Dorado Panamá
500 metros al sur.
Tel. (507) 2360-236

(507) 2360-159

Perú

Servicio Central Fast
Service
Av. Angamos Este 2431
San Borja, Lima Perú
Tel. (511) 2251 388

Puerto Rico

Buckeye Service
Jesús P. Piñero #1013
Puerto Nuevo, SJ PR
00920
Tel.: (787) 782-6175

Republica Dominicana

Plaza Lama, S.A.
Av, Duarte #94
Santo Domingo,
República Dominicana
Tel.: (809) 687-9171

Venezuela

Inversiones BDR CA
Av. Casanova C.C.
City Market Nivel Plaza
Local 153
Diagonal Hotel Melia,
Caracas.
Tel. (582) 324-0969

www.applica-latam.com
servicio@applicamail.com.
mx

Sello del Distribuidor:

Fecha de compra:

Modelo:

Comercializado por:


APPLICA DE MEXICO, S. DE R. L. DE C.V.
Presidente Mazaryk No111, 1er Piso
Col. Chapultepec Morales, Mexico D.F
Deleg. Miguel Hidalgo
CP 11570
MEXICO.

Servicio y Reparación

Art. 123 y José Ma. Marroquí # 28 D
Col. Centro, Mexico D. F., CP 06050

Servicio al Consumidor,

Venta de Refacciones y Accesorios
01 800 714 2503

 **BLACK&DECKER** is a trademark of The Black & Decker Corporation, Towson, Maryland, USA
Marca registrada de *The Black & Decker Corporation* Towson, Maryland, E.U.
Marque de commerce déposée de la société *The Black & Decker Corporation* Towson, Maryland, É.-U

300 W 120 V ~ 60 Hz

Copyright © 2007 Applica Consumer Products, Inc.

Made in People's Republic of China
Printed in People's Republic of China

Importado por:

APPLICA DE MEXICO, S. DE R. L. DE C. V.

Presidente Mazaryk No111, 1er Piso
Col. Chapultepec Morales, Mexico D.F
Deleg. Miguel Hidalgo

CP 11570

MEXICO

Teléfono: (55) 1106-1400

Del interior marque sin costo

01 (800) 714 2503

Fabricado en la República Popular de China

Impreso en la República Popular de China

Fabriqué en République populaire de Chine

Imprimé en République populaire de Chine


Applica Consumer Products, Inc.

R22007/3-28-84E/S/F

Free Manuals Download Website

<http://myh66.com>

<http://usermanuals.us>

<http://www.somanuals.com>

<http://www.4manuals.cc>

<http://www.manual-lib.com>

<http://www.404manual.com>

<http://www.luxmanual.com>

<http://aubethermostatmanual.com>

Golf course search by state

<http://golfingnear.com>

Email search by domain

<http://emailbydomain.com>

Auto manuals search

<http://auto.somanuals.com>

TV manuals search

<http://tv.somanuals.com>