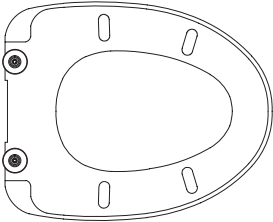
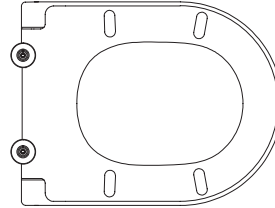


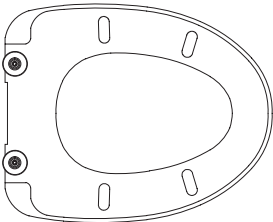
Toilet Seat Installation Guide



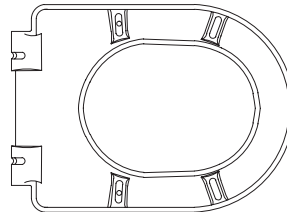
LSeat-001
duroplast



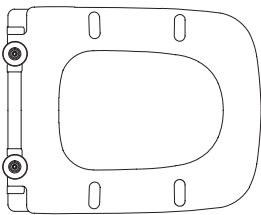
LSeat-004
duroplast



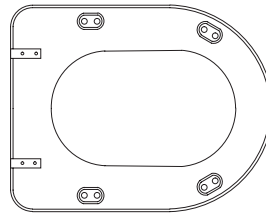
LSeat-002
plastic



LSeat-005
duroplast



LSeat-003
duroplast



LSeat-006
plastic

Attention — Before Installation

If you are installing this product in a new construction or remodel, please make sure you are following all local plumbing and building codes. Carefully unpack and examine your new fixture for damage. To help insure that the installation process will proceed smoothly and correctly, please read these instructions carefully before you begin.

- We recommend that the installation be done by a minimum of 2 people as a security precaution. Also make sure to adopt the proper posture when lifting the basin.
- Adhere to all local building and plumbing codes. The diagrams in this guide are not construction plans. They are visual aids.

1. Inspect this product to assure you have all parts as shown that are required for proper installation. Blu recommends that the installer refer to the **Geberit toilet system installation and maintenance instructions**.
2. Read this entire instruction sheet to ensure proper installation.
3. Compliance and conformity to local building codes and ordinances is the responsibility of the installer.
4. Compliance and conformity to local fire codes and ordinances is the responsibility of the installer.
5. Purge all the water supply lines before making connections.

Installation Requirements

Please read the instructions carefully so as to avoid any damage to the fixture.

1. To ensure this product is installed properly, you must read and follow these guidelines.
2. The owner/user of the product must keep this information for future reference.
3. Consult local building codes to make sure the installation complies with standards.
4. Remove the unit from its packaging. Before disposing of it, inspect the unit to make sure its in good shape. Should inspection reveal any damage or defect in the finish, contact your distributor. The warranty does not cover damages or defects in the finish once it has been installed. Blu Bathworks' responsibility for shipping damages ceases upon delivery of the product in good order to the carrier. All complaints regarding damage due to transport must be made directly to the carrier.
5. Place the unit in the bathroom before you start working. Conserve all nuts and bolts.
6. To protect the unit during installation, we recommend that you lay a piece of cardboard on the bottom.
7. If the unit is covered with polyethylene protective film, do not remove until installation is complete to grant maximum protection. However, remove film where any two surfaces will be in permanent contact.
8. Verify that all dimensions on the plan are the same as the ones of the unit.

Technical Support Assistance

If further assistance is required, please contact:

Product Support at 1.866.907.0122 (09:00 – 17:00hrs PST) or email technical@blubathworks.com

North America

Blu Bathworks Inc.

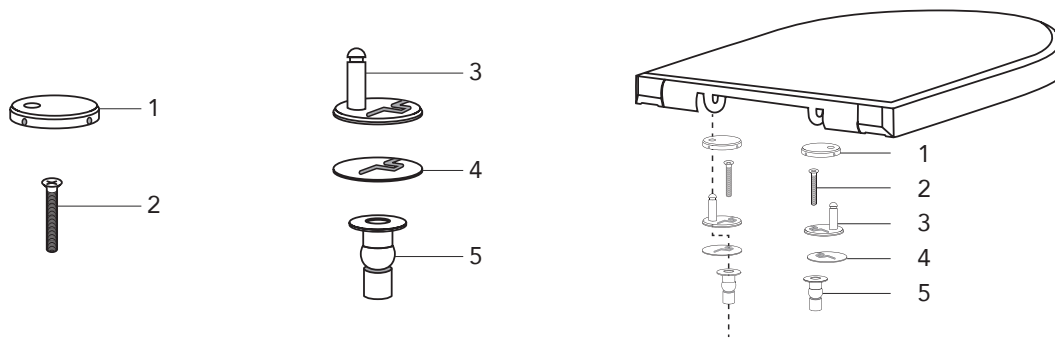
188 Smithe Street, Vancouver, BC, Canada, V6B 6A9

T +1.604.299.0122 F +1.604.299.0125

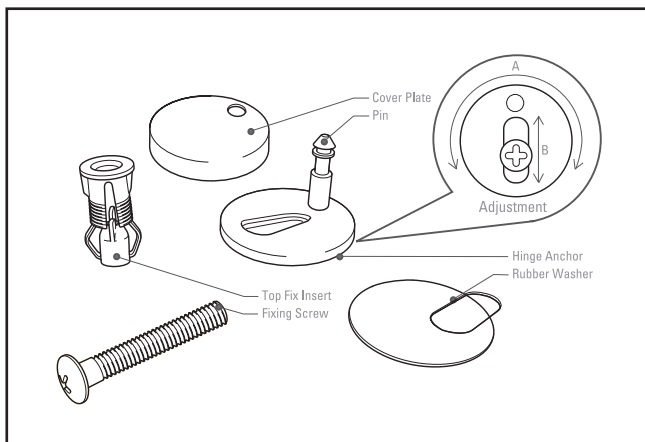
Please refer to blubathworks.com for warranty, terms & conditions under warranty & procedure for warranty service.

Toilet Seat Installation Instructions

LSeat-001 · LSeat-002 · LSeat-003 · LSeat-004 · LSeat-005

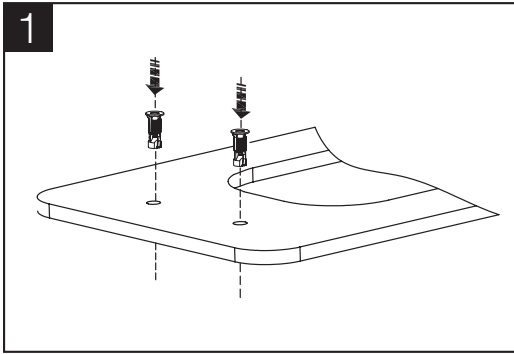


Hinge Adjustment

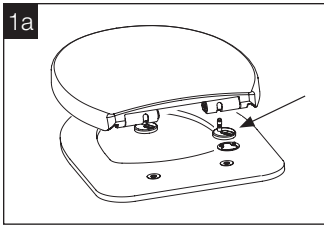


- Maximum adjustment of the pin position is achieved by rotating the hinge anchor around the screw (adjustment A in the parts diagram above.)
- Further fine adjustment of the pin position can be achieved by sliding the screw in the adjustment plate (adjustment B).

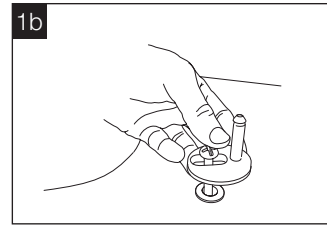
Fixing the Hinge Anchor



- Place the Top Fix Inserts into the fixing holes. Insert the screws within the Hinge Anchors as shown and begin to tighten the screws until they are loosely secured to allow for adjustment of the seat.

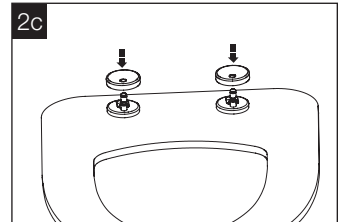
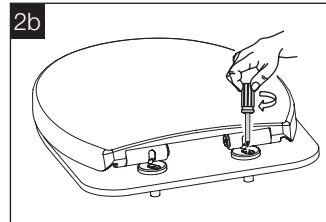
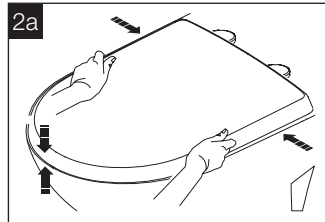
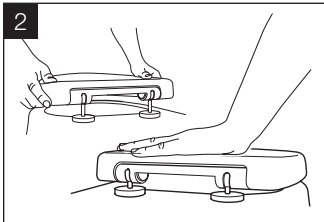


- Make sure round rubber gasket is underneath hinge.

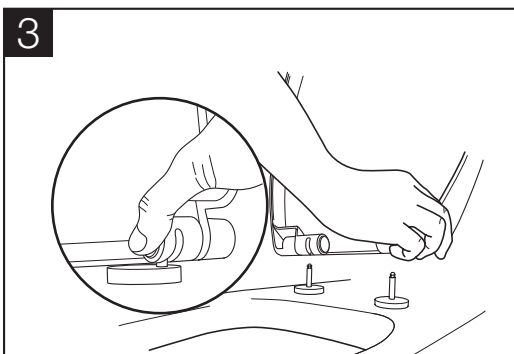


- Insert the expansion rubbers/plastic inserts into the hinge holes of the toilet.

Fitting the Seat



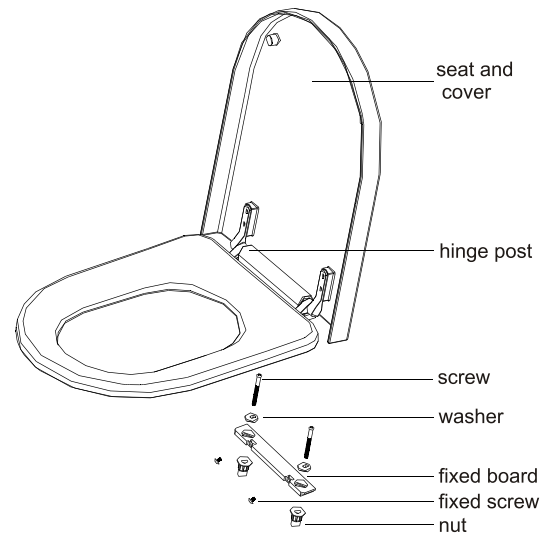
Quick-Release Mechanism



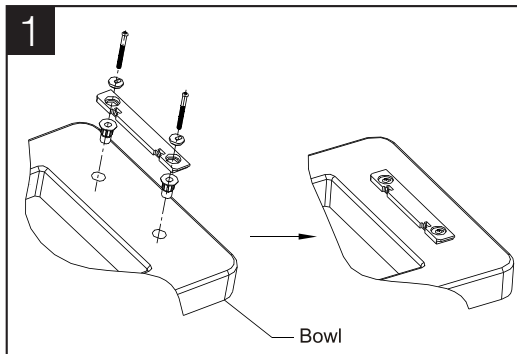
- This toilet seat is designed for quick and easy removal when cleaning the toilet. To activate the quick release lift the lid, seat up and press the button in the centre of the hinges and lift.
- To replace the seat, align the sockets with the pin and firmly press into position.
- LSeat-002 is designed to activate the quick release with NO BUTTON. To release, lift lid and seat up, then pull up.

Toilet Seat Installation Instructions

LSeat-006

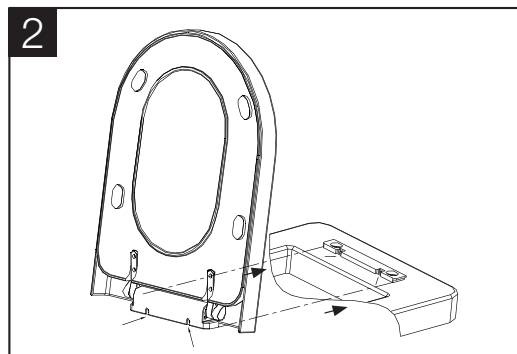


Affix the Fixed Board



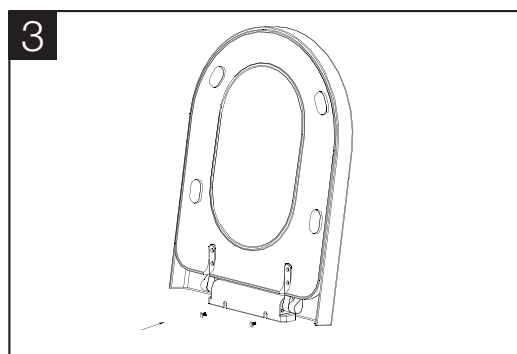
- Install the screw set and fixed board accordingly. Tighten the fixed board slowly into the bowl on both sides simultaneously with a flat screwdriver.

Position the Seat & Cover



- Align the hinge post with the fixed board, then slot the seat and cover into the fixed board (refer to fig. 2.) Ensure that the seat is securely in place.

Fitting the Seat



- Tighten the screws in the front holes of the hinge post with a phillips screwdriver, then tighten to fix the seat and cover in place.

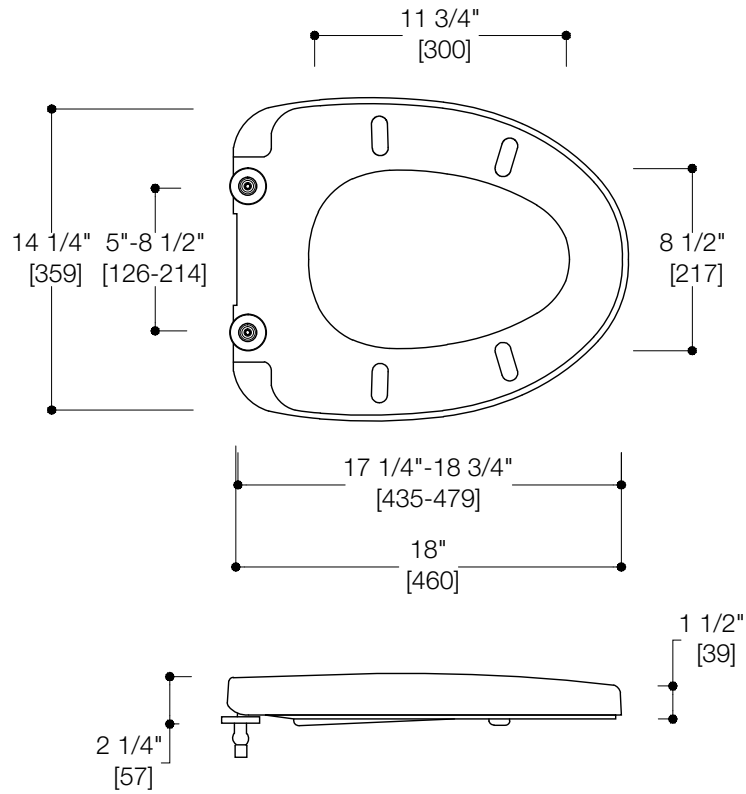
Toilet Seat Maintenance

- Wipe the toilet seat with a soft wet cloth
- Clean the toilet seat with a neutral cleanser, and then dry it with a clean cloth

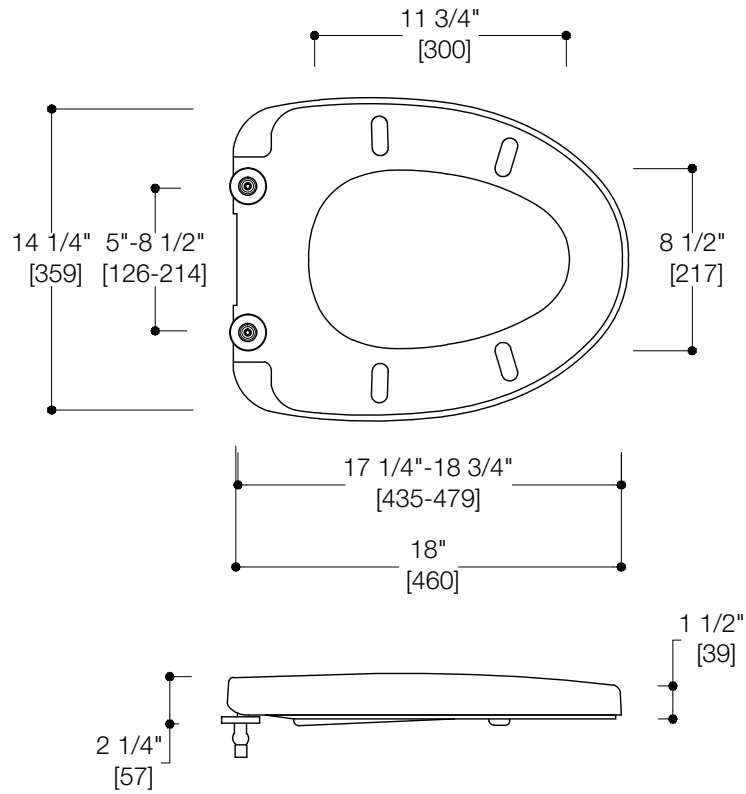
Caution

- Do not stand on the lid or ring of your toilet seat
- Do not use any abrasive cleaning agents
- Keep toilet seat away from chemicals and cosmetics
- Please do not close the seat or cover forcibly to extend the soft-close function lifespan.
- Please do not clean the seat or cover with strong chemical cleansers or scouring brushes to avoid harming the seat & cover

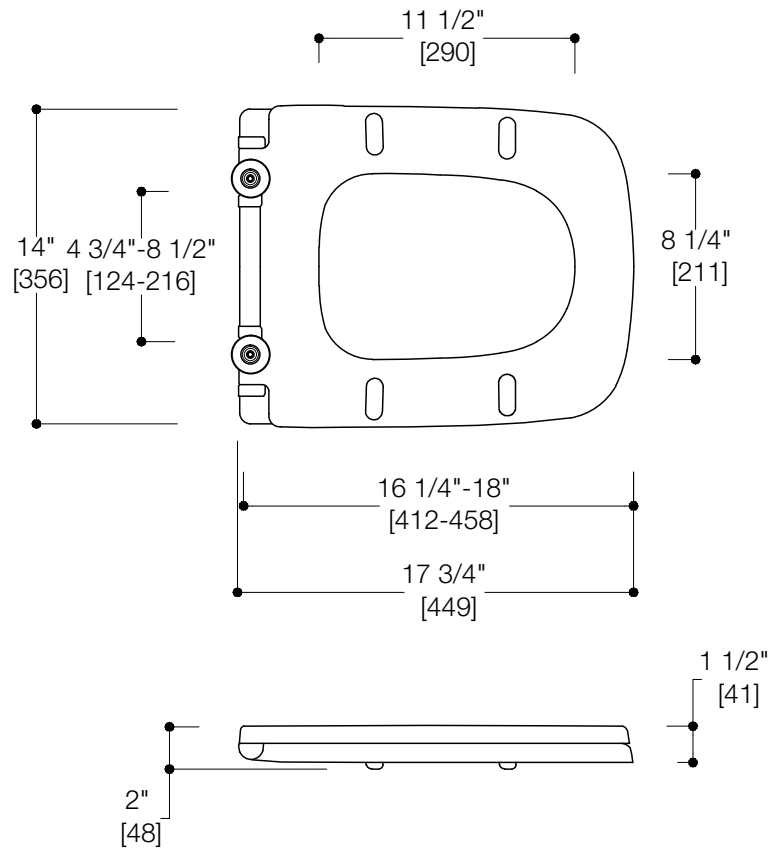
LSeat-001



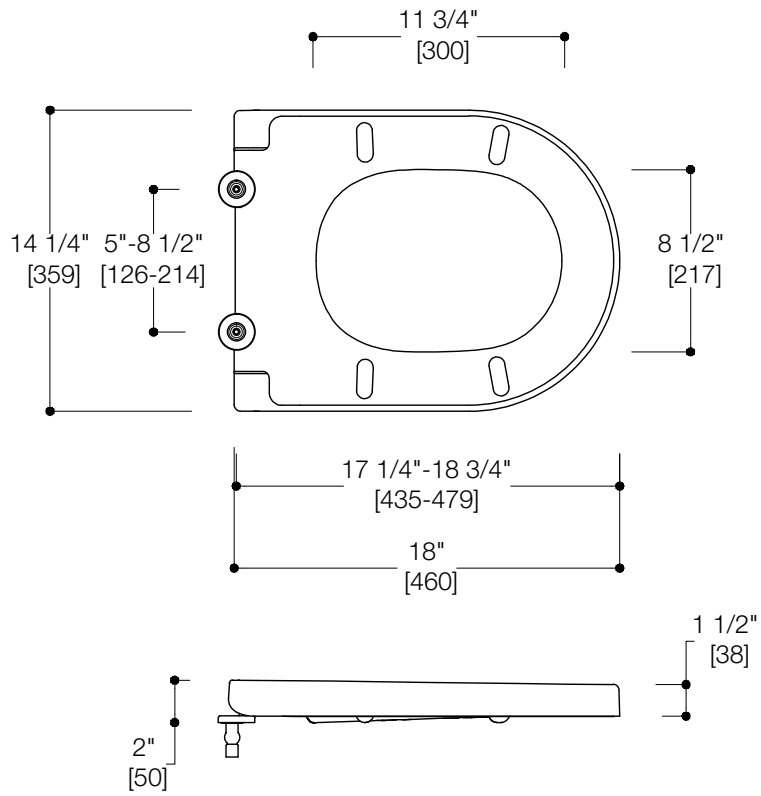
LSeat-002



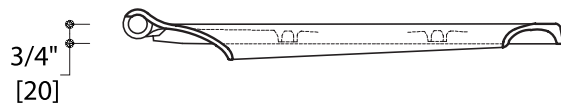
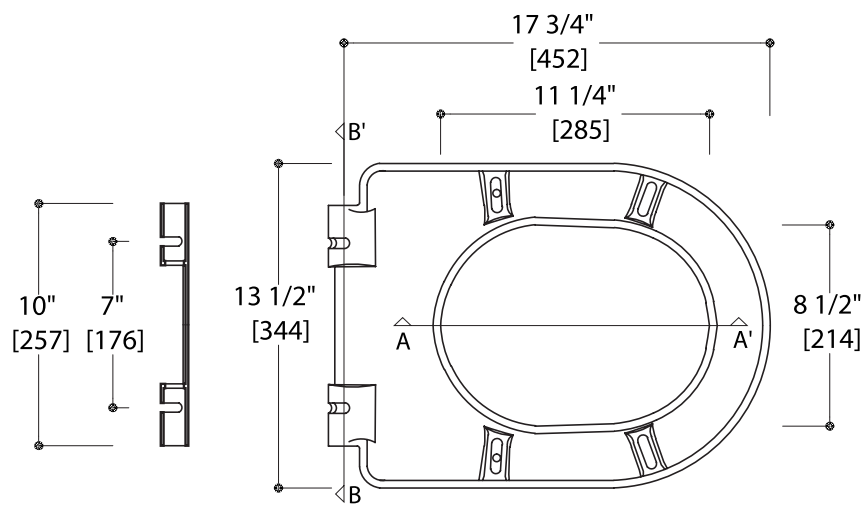
LSeat-003



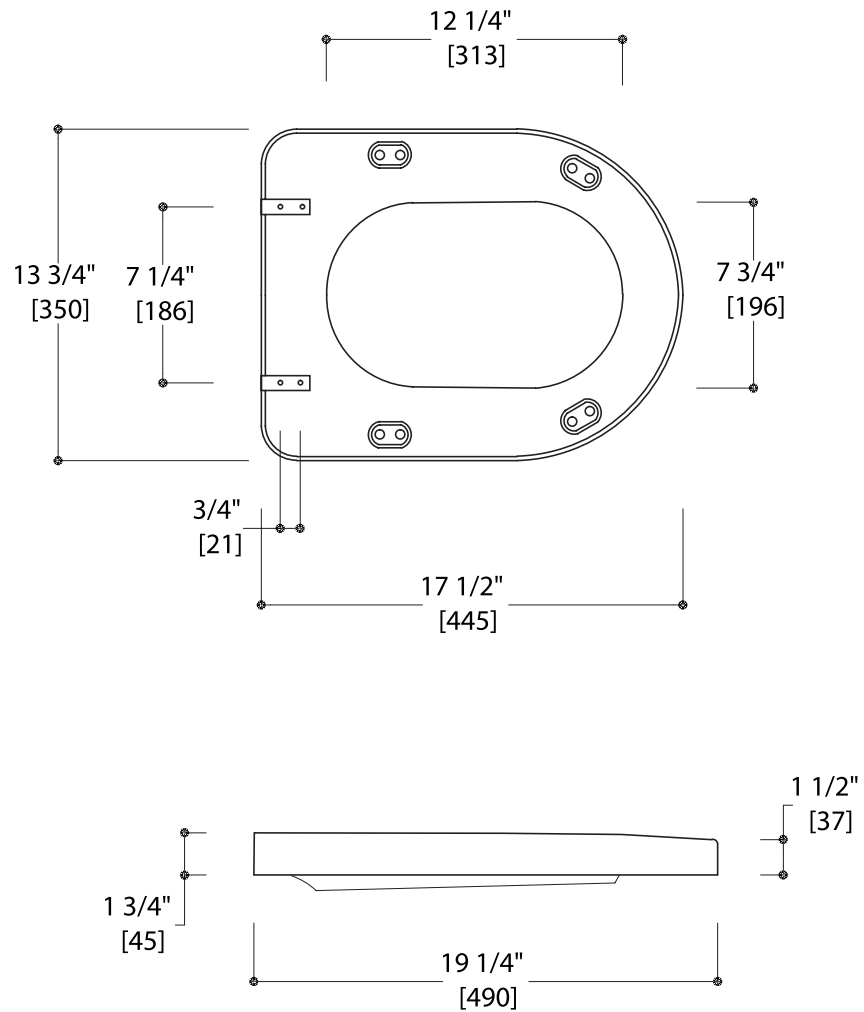
LSeat-004



LSeat-005



LSeat-006



Free Manuals Download Website

<http://myh66.com>

<http://usermanuals.us>

<http://www.somanuals.com>

<http://www.4manuals.cc>

<http://www.manual-lib.com>

<http://www.404manual.com>

<http://www.luxmanual.com>

<http://aubethermostatmanual.com>

Golf course search by state

<http://golfingnear.com>

Email search by domain

<http://emailbydomain.com>

Auto manuals search

<http://auto.somanuals.com>

TV manuals search

<http://tv.somanuals.com>