

Sound projector 20W metal unidirectional

LBC3432/03



1 Installation

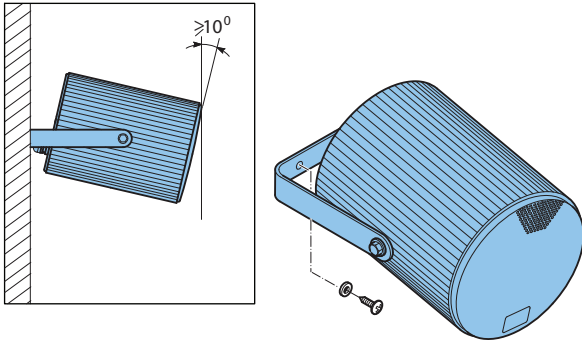


Fig. 1

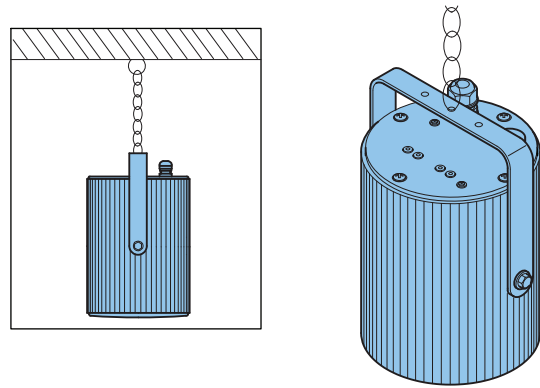


Fig. 2

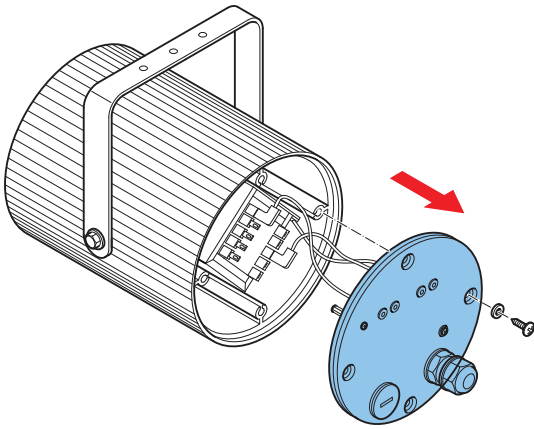


Fig. 3

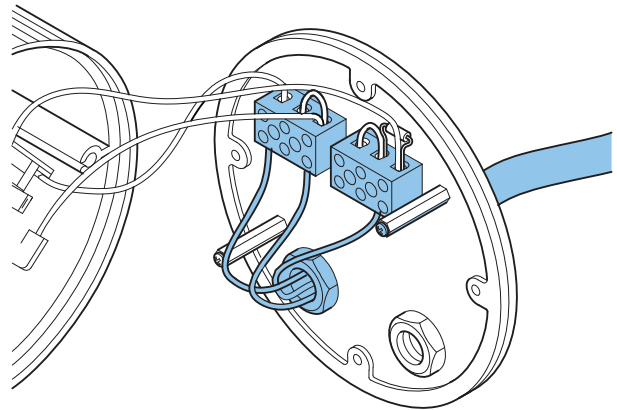


Fig. 4

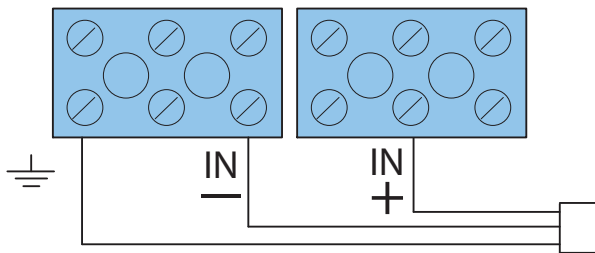


Fig. 5

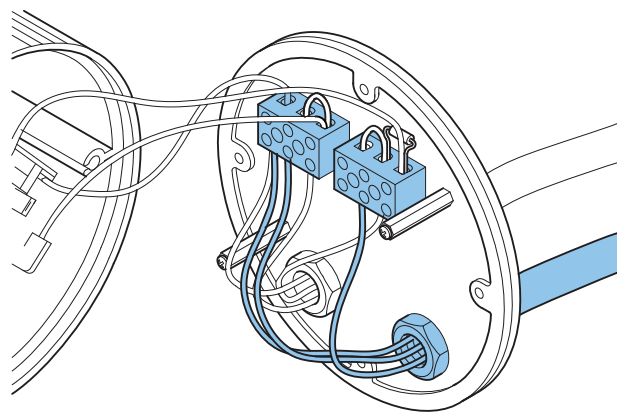


Fig. 6
Optional

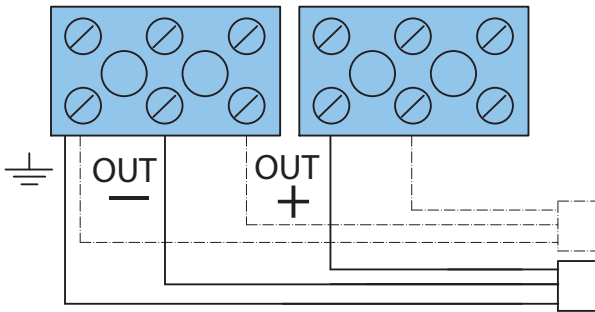


Fig. 7

Optional

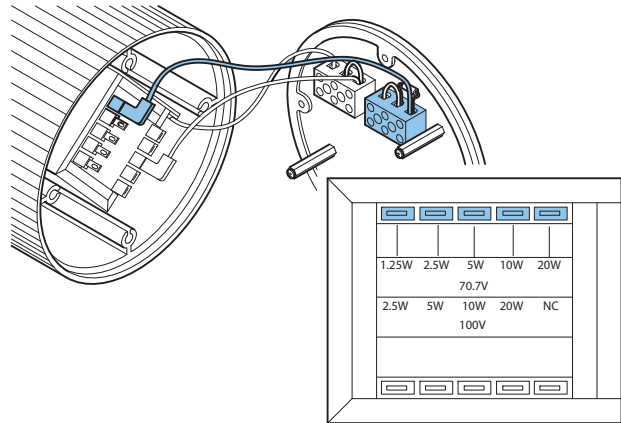


Fig. 8

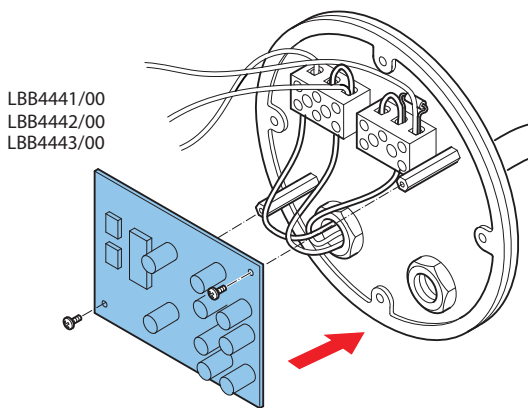


Fig. 9

Optional

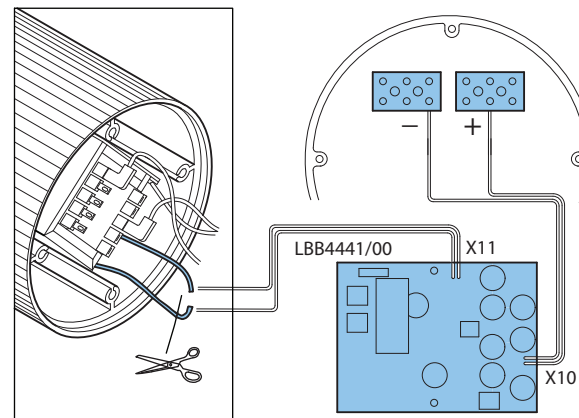


Fig. 10

Optional

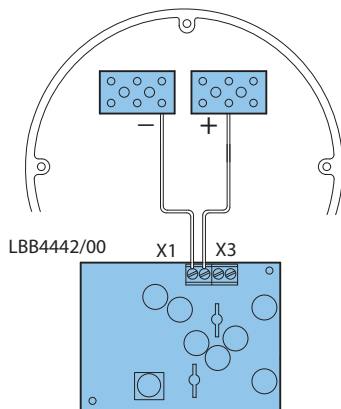


Fig. 11

Optional

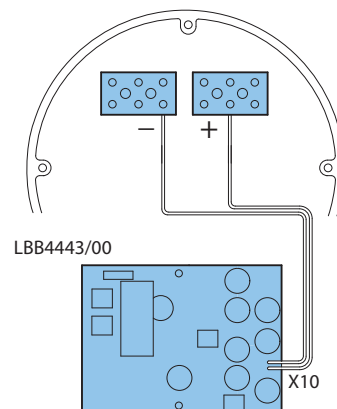


Fig. 12

Optional

2 Technical data

2.1 Electrical

Rated power (PHC)	20 W		
Power tapping	20 / 10 / 5 / 2.5 W (1.25 W, 70 V only)		
Sound pressure level at 20 W / 1 W (1kHz, 1 m)	107 / 94 dB (SPL)		
Sound pressure level at 20 W / 1 W (1kHz, 4 m)	95 / 82 dB (SPL)		
Opening angle at 1 kHz / 4 kHz (-6 dB)	224° / 56°		
Effective frequency range (-10 dB)	170 Hz to 20 kHz		
Rated voltage Rated impedance		70 V	100 V
	20 W	250 Ohm	500 Ohm
	10 W	500 Ohm	1000 Ohm
	5 W	1000 Ohm	2000 Ohm
	2.5 W	2000 Ohm	4000 Ohm
	1.25 W	4000 Ohm	N.A.

* Technical performance data acc. to IEC 60268-5

2.2 Mechanical

Dimensions (D x L)	146 x 200 mm (5.7 x 7.9 in)
Weight	2.6 kg (5.7 lb)
Color	White (RAL 9010)
Material	Aluminum
Connector	Screw terminal block
Cable diameter	6-12 mm (0.24-0.47 in)

2.3 Environmental conditions

Operating temperature	-25 °C to +55 °C (-13 °F to +131 °F)
Storage and transport temperature	-40 °C to +70 °C (-40 °F to +158 °F)
Relative humidity	<95%
Water/dust protected	According to EN 60529 IP66

Note:

- The specification data is measured in an anechoic chamber, free field
- The reference axis is perpendicular to the center point of the front grille
- The reference plane is perpendicular to the center of the reference axis
- The horizontal plane is perpendicular to the center of the reference plane

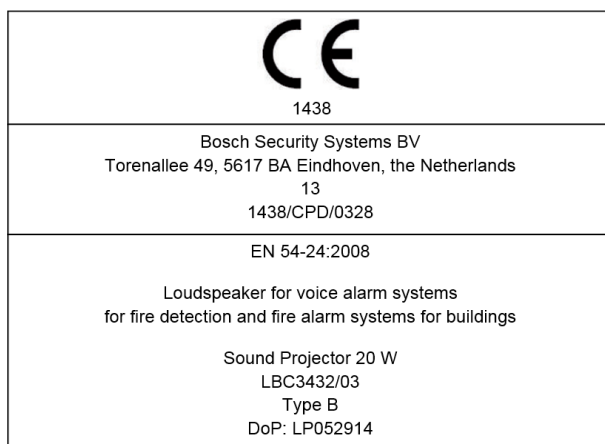
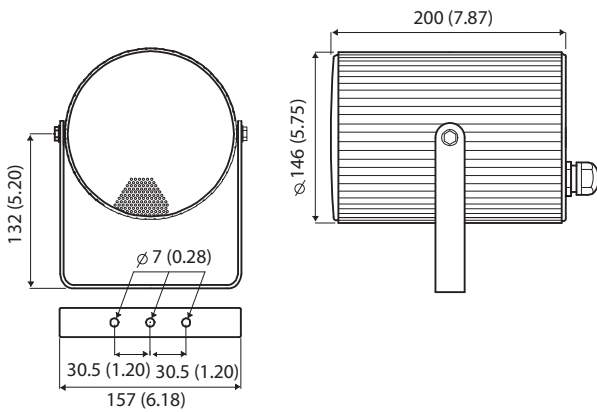
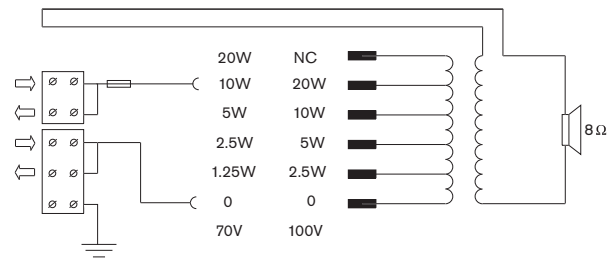


Figure 2.1: CE label

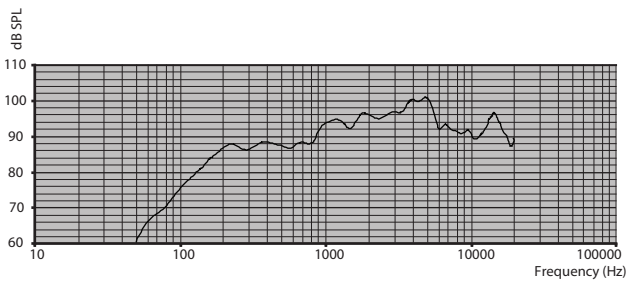
2.4 Additional technical data



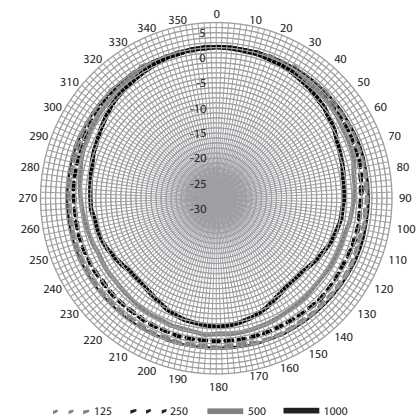
Dimensions mm (in)



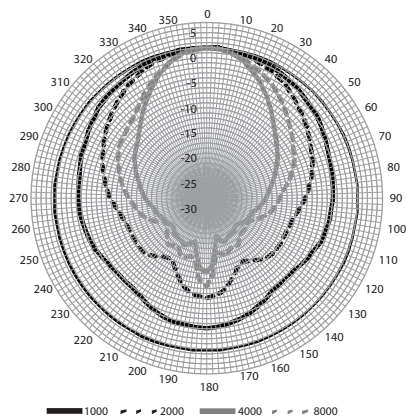
Circuit diagram



Frequency response



Polar diagram (measured with pink noise)



Polar diagram (measured with pink noise)



Bosch Security Systems B.V.

Torenallee 49
5617 BA Eindhoven
Netherlands

www.boschsecurity.com

© Bosch Security Systems B.V., 2018

Free Manuals Download Website

<http://myh66.com>

<http://usermanuals.us>

<http://www.somanuals.com>

<http://www.4manuals.cc>

<http://www.manual-lib.com>

<http://www.404manual.com>

<http://www.luxmanual.com>

<http://aubethermostatmanual.com>

Golf course search by state

<http://golfingnear.com>

Email search by domain

<http://emailbydomain.com>

Auto manuals search

<http://auto.somanuals.com>

TV manuals search

<http://tv.somanuals.com>