

INSTRUCTION MANUAL

TWIN/FULL BUNK BED

Model No:

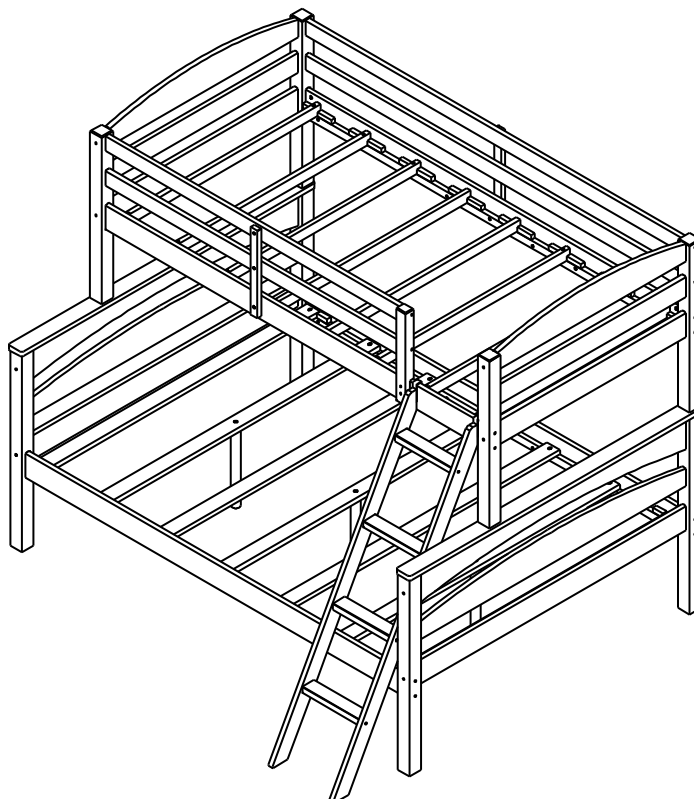
DA6940E (ESPRESSO)

DA6940W (WHITE)

UPC CODE:

0-65857-16788-7 (ESPRESSO)

0-65857-16789-4 (WHITE)



NOTE:

THIS INSTRUCTION BOOKLET
CONTAINS **IMPORTANT** SAFETY
INFORMATION. PLEASE READ AND
KEEP FOR FUTURE REFERENCE.

Lot number:

(TAKEN FROM CARTON)

Date of purchase:

____ / ____ / ____

DO NOT RETURN PRODUCT TO THE STORE.

If a part is missing or damaged, contact our customer
service department. We will replace the part
FREE of charge.

DOREL[®]
— *Living* —



Tel #: 1-800-295-1980
E-Mail: das@dorel.com
Fax #: 514-353-7819

CUSTOMER SERVICE

If you are missing parts or have any questions about this product, contact our customer service representative first!



CALL 1-800-295-1980

You can also order parts by writing to the address listed below. Please include the product model number, color and a detailed description of the part.

**Customer Service Department No. 413
12345 Albert-Hudon Boulevard, Suite 100
Montreal, Quebec
Canada, H1G 3L1**

E-MAIL: das@dorel.com



WARNING

- * **STRANGULATION HAZARD** - NEVER ATTACH OR HANG ITEMS TO ANY PART OF THE BUNK BED THAT ARE NOT DESIGNED FOR USE WITH THE BED; FOR EXAMPLE, BUT NOT LIMITED TO, HOOKS, BELTS AND JUMP ROPES.
- * FOLLOW THE INFORMATION ON THE WARNINGS APPEARING ON THE UPPER BUNK END STRUCTURE AND ON THE CARTON. DO NOT REMOVE WARNING LABEL FROM BED.
- * THE MATTRESS PLATFORM IS DESIGNED TO SUPPORT A MATTRESS WITHOUT THE NEED FOR A POSTURE BOARD OR BOX SPRING.
- * ALWAYS USE THE RECOMMENDED SIZE MATTRESS OR MATTRESS SUPPORT, OR BOTH, TO HELP PREVENT THE LIKELIHOOD OF ENTRAPMENT OR FALLS.
- * **USE ONLY COIL SPRING MATTRESSES ON BOTH THE UPPER AND LOWER BUNKS. FAILURE TO DO SO CAN RESULT IN INJURY.**
- * USE ONLY MATTRESSES WHICH ARE 74"-75" LONG AND 37 1/2" - 38 1/2" WIDE ON UPPER BED AND 74"-75" LONG AND 53"-54" WIDE ON LOWER BED. ENSURE THICKNESS OF MATTRESS DOES NOT EXCEED 6". SURFACE OF MATTRESS MUST BE AT LEAST 5" (127MM) BELOW THE UPPER EDGE OF GUARDRAILS.
- * DO NOT ALLOW CHILDREN UNDER 6 YEARS OF AGE TO USE THE UPPER BUNK.
- * ALWAYS USE GUARDRAILS ON BOTH LONG SIDES OF THE UPPER BUNK. IF THE BUNK BED WILL BE PLACED NEXT TO THE WALL, THE GUARDRAIL THAT RUNS THE FULL LENGTH OF THE BED SHOULD BE PLACED AGAINST THE WALL TO PREVENT ENTRAPMENT BETWEEN THE BED AND WALL (APPLICABLE FOR BUNK BEDS WITH FULL LENGTH GUARDRAILS ON ONE SIDE).
- * PERIODICALLY CHECK AND ENSURE THAT THE GUARDRAIL, LADDER AND OTHER COMPONENTS ARE IN THEIR PROPER POSITION, FREE FROM DAMAGE, AND THAT ALL CONNECTORS ARE TIGHT
- * DO NOT ALLOW HORSEPLAY ON OR UNDER THE BED AND PROHIBIT JUMPING ON THE BED.
- * DO NOT USE SUBSTITUTE PARTS. CONTACT CUSTOMER SERVICE FOR REPLACEMENT PARTS.
- * USE OF A NIGHT LIGHT MAY PROVIDE ADDED SAFETY PRECAUTION FOR A CHILD USING THE UPPER BUNK.
- * THE USE OF WATER OR SLEEP FLOTATION MATTRESSES IS PROHIBITED.
- * ALWAYS USE THE LADDER FOR ENTERING AND LEAVING THE UPPER BUNK.
- * PROHIBIT MORE THAN ONE PERSON ON UPPER BUNK.
- * KEEP THESE INSTRUCTIONS FOR FUTURE USE.

NOTES

- * READ EACH STEP CAREFULLY BEFORE STARTING. IT IS VERY IMPORTANT THAT EACH STEP OF INSTRUCTION IS PERFORMED IN THE CORRECT ORDER. IF THESE STEPS ARE NOT FOLLOWED IN SEQUENCE, ASSEMBLY DIFFICULTIES WILL OCCUR AND CAN RESULT IN INJURY.
- * **CAUTION:** ADULT ASSEMBLY REQUIRED.
- * MAKE SURE ALL PARTS ARE INCLUDED. WORK IN SPACIOUS AREA, PREFERABLY ON A SMOOTH SOFT SURFACE.
- * ASSEMBLY WILL REQUIRE TWO PEOPLE.
- * MOST BOARD PARTS ARE LABELED OR STAMPED ON THE RAW EDGE.
- * PHILLIPS SCREWDRIVER (NOT INCLUDED) IS REQUIRED.
- * A RUBBER Mallet (NOT INCLUDED) IS RECOMMENDED TO FACILITATE ASSEMBLY.
- * BED IS DESIGNED FOR CHILDREN RANGING FROM 6 YEARS OF AGE TO YOUNG TEENAGERS.

CARE AND CLEANING

Dust regularly with a soft, dry cloth. We do not recommend the use of chemical cleaners or wax on our lacquered furniture as it may damage the finish. Keep solvents, alcohol, nail polish and polish removers away from your hardwood furniture surfaces.

MAINTENANCE

Check bolts/screws periodically and tighten them if necessary.

LIMITED WARRANTY

DOREL ASIA warrants its product to be free from defects in material and workmanship and agrees to remedy any such defect. This warranty covers 1 year from the date of original purchase. This warranty is valid only upon presentation of proof of purchase. This is solely limited to the repair or replacement of defective furniture components and no assembly labor is included. This warranty does not apply to any product which has been improperly assembled, subjected to misuse or abuse or which has been altered or repaired in any way. This warranty gives you specific legal rights and you may also have other rights which vary from State to State

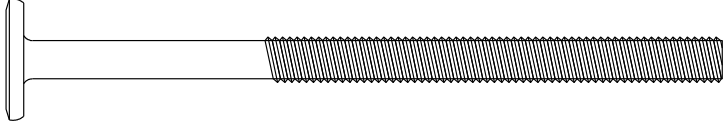
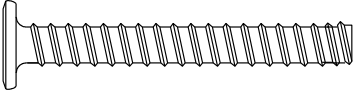
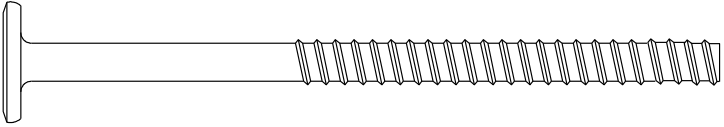

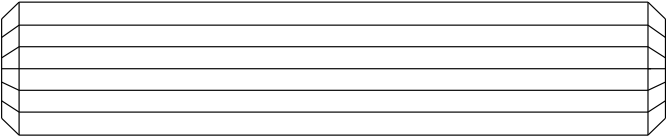

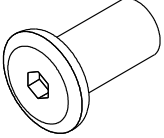
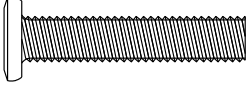
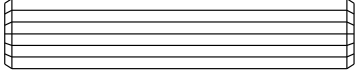
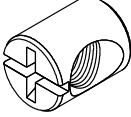
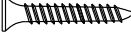



WARNING: Should this product become damaged, and/or components are broken or missing, DO NOT USE.

TWIN/FULL BUNK BED

DA6940E (ESPRESSO) / DA6940W (WHITE)






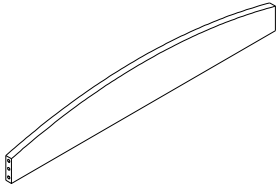
HARDWARE LIST

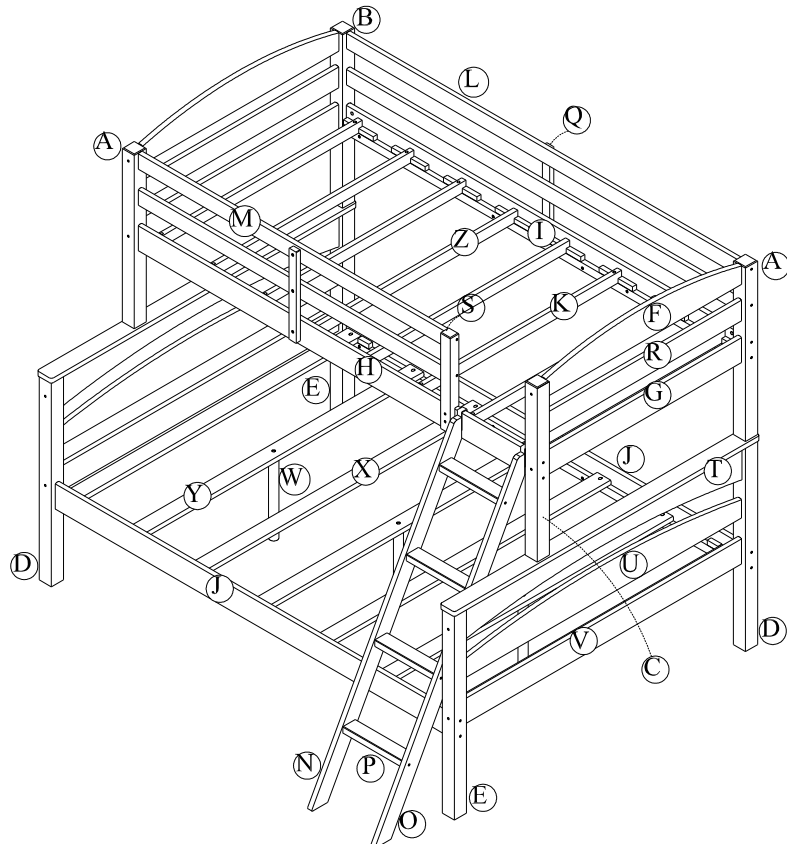
1	 $\text{Ø}1/4" \times 100\text{mm}$	2	 $\text{Ø}6.5\text{mm} \times 48\text{mm}$
JOINT CONNECTOR (4mm HEX HEAD) 16 PCS		WOOD JOINT CONNECTOR (4mm HEX HEAD) 8 PCS	
3	 $\text{Ø}6.5\text{mm} \times 100\text{mm}$	4	 $\text{Ø}4\text{mm} \times 35\text{mm}$
WOOD JOINT CONNECTOR (4mm HEX HEAD) 24 PCS		FLAT HEAD WOOD SCREW 26 PCS	
5	 $\text{Ø}19\text{mm} \times 95\text{mm}$	6	 $\text{Ø}4\text{mm} \times 30\text{mm}$
WOOD DOWEL 4 PCS		FLAT HEAD WOOD SCREW 6 PCS	
7	 $\text{Ø}9\text{mm} \times 17\text{mm}$	8	 $\text{Ø}1/4" \times 32\text{mm}$
HEX CAP 2 PCS		HEX SOCKET HEAD BOLT 5 PCS	
		9	 $\text{Ø}10\text{mm} \times 50\text{mm}$
		WOOD DOWEL 64 PCS	
10	 $\text{Ø}11.8\text{mm} \times 15\text{mm}$	11	 $\text{Ø}4\text{mm} \times 19\text{mm}$
BARREL NUT 16 PCS		FLAT HEAD SCREW 2 PCS	
		12	
		ALLEN KEY 1 PC	

TWIN/FULL BUNK BED

DA6940E (ESPRESSO) / DA6940W (WHITE)

PARTS LIST

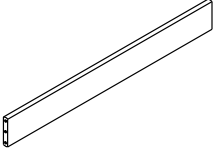
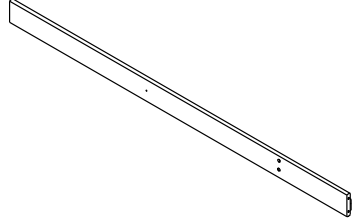
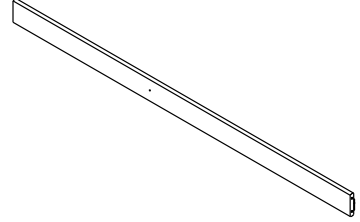
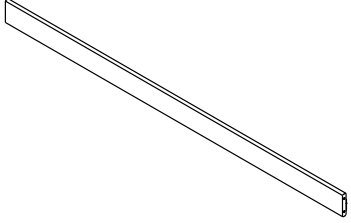
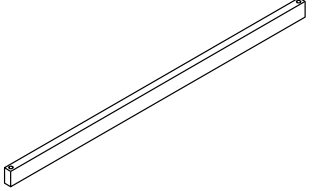
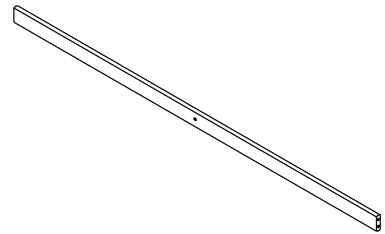
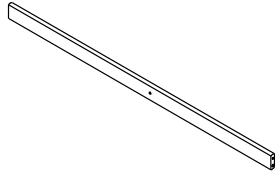
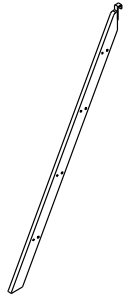
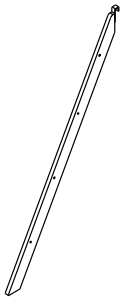
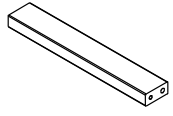

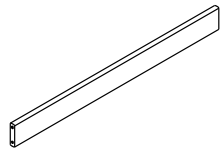
A		B		C	
	TOP POST 2 PCS		TOP POST 1 PC		TOP POST 1 PC
D		E		F	
	BOTTOM POST 2 PCS		BOTTOM POST 2 PCS		HEADBOARD TOP CROSS 2 PCS



TWIN/FULL BUNK BED

DA6940E (ESPRESSO) / DA6940W (WHITE)


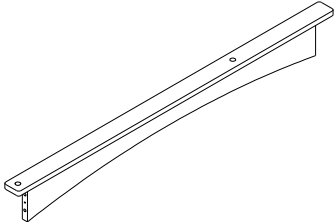
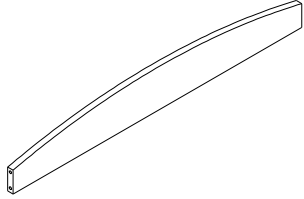
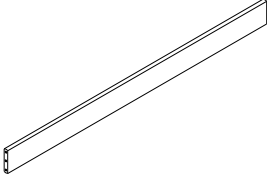

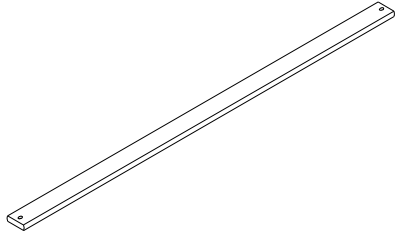
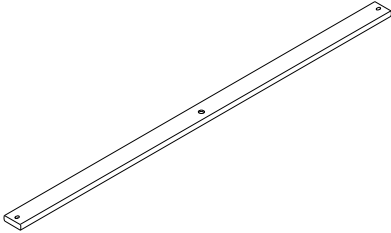
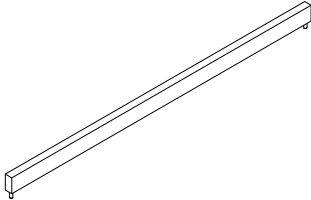
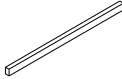
PARTS LIST

G		H		I	
HEADBOARD BOTTOM CROSS 2 PCS		TOP SIDE RAIL (WITH 3 HOLES) 1 PC		TOP SIDE RAIL (WITH 1 HOLE) 1 PC	
J		K		L	
BOTTOM SIDE RAIL 2 PCS		SLAT 6 PCS		LONG GUARDRAIL 2 PCS	
M		N		O	
SHORT GUARDRAIL 2 PCS		LEFT LADDER END 1 PC		RIGHT LADDER END 1 PC	
P		Q		R	
LADDER STEP 4 PCS		GUARDRAIL LEG 2 PCS		HEADBOARD CENTER CROSS 2 PCS	

TWIN/FULL BUNK BED

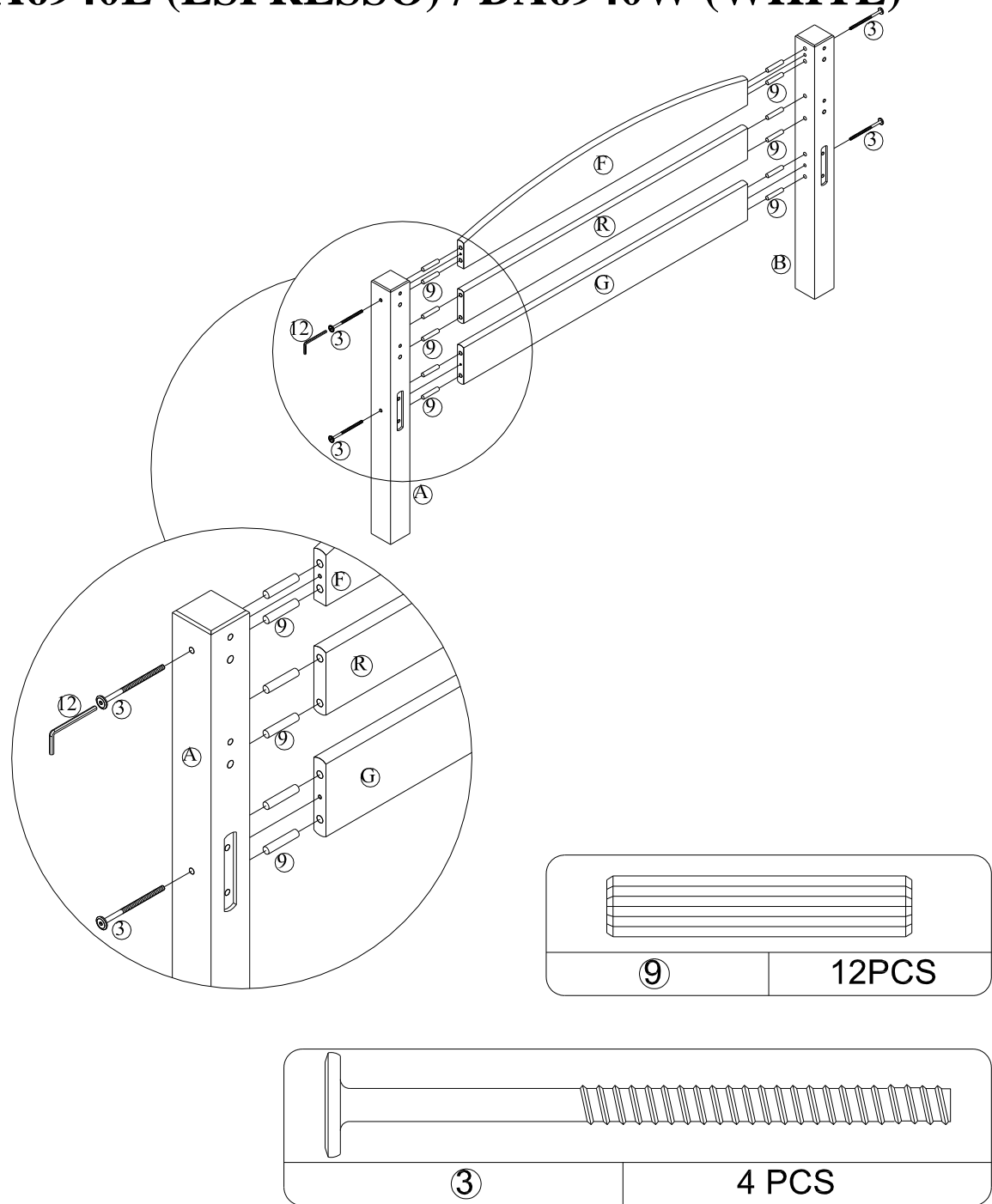
DA6940E (ESPRESSO) / DA6940W (WHITE)

PARTS LIST

S		T		U	
SHORT GUARDRAIL POST 1 PC		BOTTOM HEADBOARD TOP CROSS 2 PCS		BOTTOM HEADBOARD TOP CROSS 2 PCS	
V		W		X	
BOTTOM HEADBOARD TOP CROSS 2 PCS		SUPPORT POST 3 PCS		BOTTOM SLAT (WITHOUT HOLE) 4 PCS	
Y		Z		A1	
BOTTOM SLAT (WITH 1 HOLE) 3 PCS		SLAT 2 PCS		SPACE BLOCK 2 PCS	

TWIN/FULL BUNK BED

DA6940E (ESPRESSO) / DA6940W (WHITE)



STEP 1

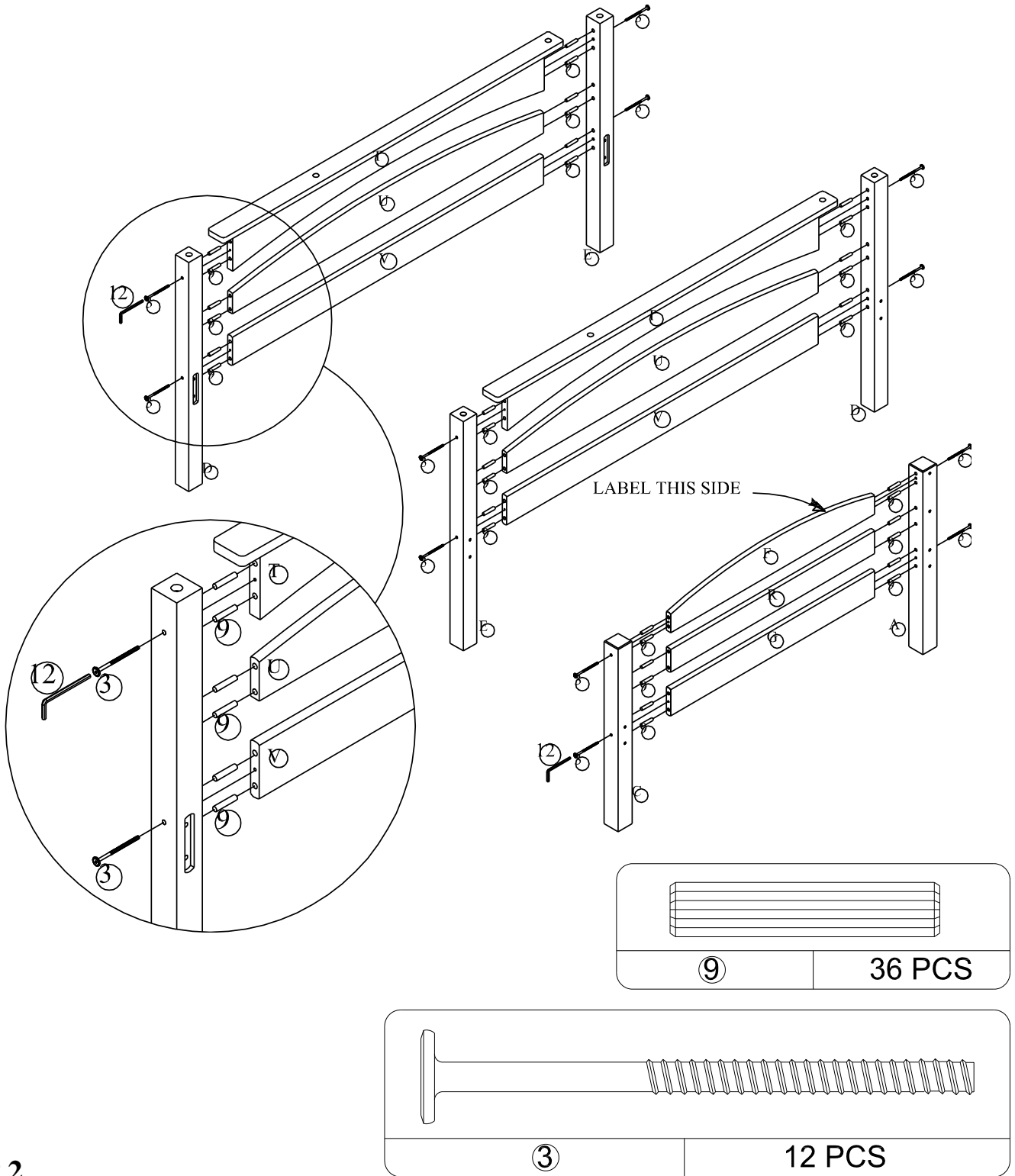
One of the headboard top crosses (F) has a label on it, do not use it in this step.

Insert wood dowels (9) into the ends of headboard top cross (F), headboard bottom cross (G) and headboard center cross (R).

Attach top posts (A) & (B) using wood joint connectors (3). Use Allen key (12) to tighten joint connectors as shown.

TWIN/FULL BUNK BED

DA6940E (ESPRESSO) / DA6940W (WHITE)



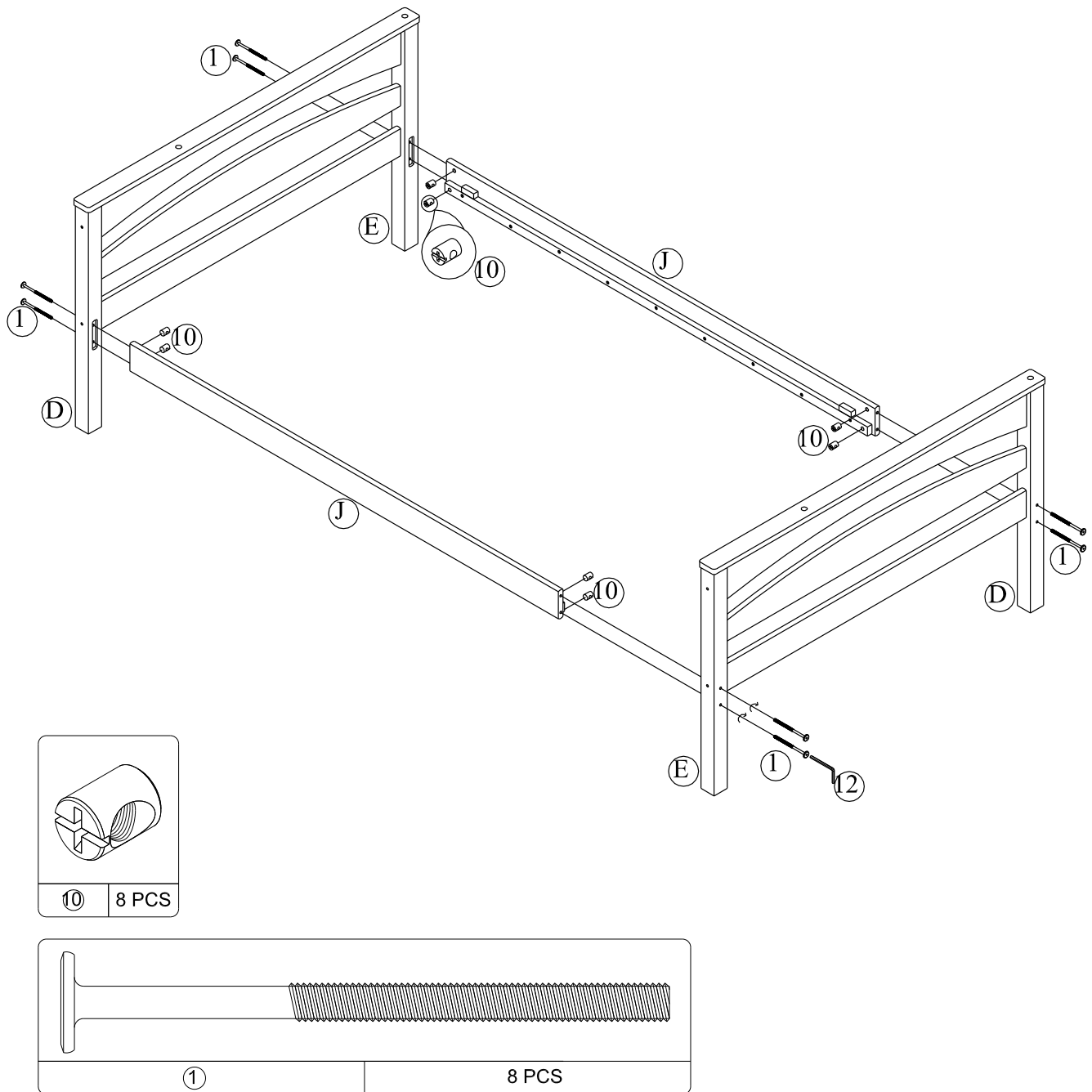
STEP 2

Repeat the previous step to assemble the remaining three sets of headboards. Be sure to pair the bottom posts (D) and (E) for one pair; (E) and (D) for another; and the top posts (C) and (A) for the last pair.

NOTE: Use headboard top cross (F) with the label attached to it between top posts (A) and (C). See illustration for label orientation.

TWIN/FULL BUNK BED

DA6940E (ESPRESSO) / DA6940W (WHITE)



STEP 3

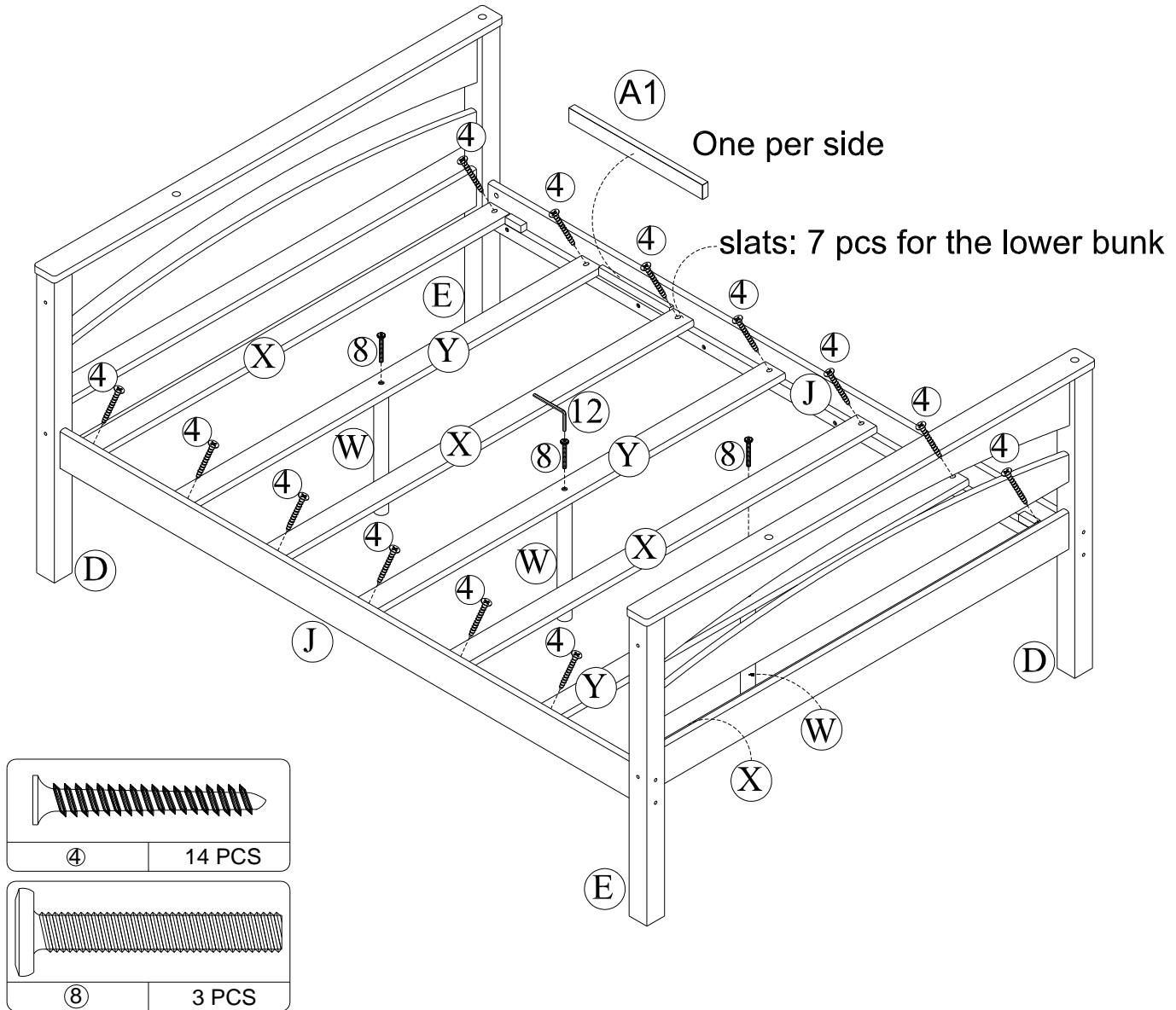
Insert barrel nuts (10) into bottom side rails (J) as shown.

Attach the two headboards with bottom posts (D and E) to bottom side rails (J) using joint connectors (1) and Allen key (12).

Note: This is the lower bunk.

TWIN/FULL BUNK BED

DA6940E (ESPRESSO) / DA6940W (WHITE)



STEP 4

Attach the support posts (W) to bottom slats (Y) of the bottom bunk with hex socket head bolts (8) as shown.

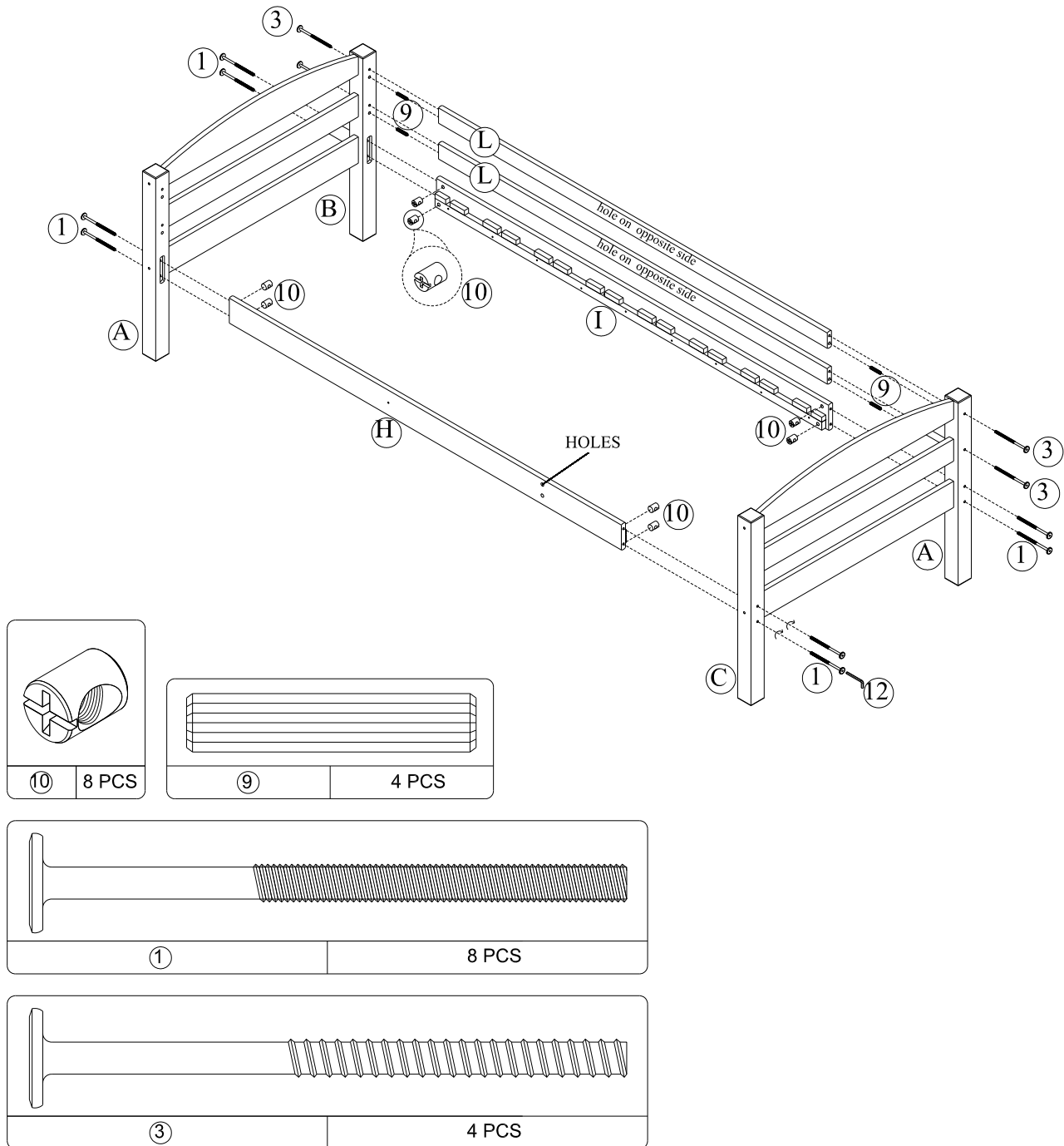
Attach a bottom slat (X) to bottom side rails (J) with flat head wood screws (4). Make sure the slat touches the corner posts (as close to the headboard as possible).

Attach the other slats (X & Y) to the bottom side rails (J) with flat head wood screws (4) using a Phillips head screw driver (not included). Use space block (A1) to space them out evenly as

NOTE: If you notice that any of the slats (X & Y) are not perfectly flat, be sure to assemble them so that the slats (X & Y) curves up in the middle and down on the ends.

TWIN/FULL BUNK BED

DA6940E (ESPRESSO) / DA6940W (WHITE)



STEP 5

Insert wood dowels (9) into each end of the long guardrails (L).

Insert barrel nuts (10) into top side rails (H & I).

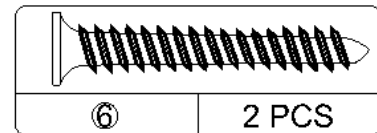
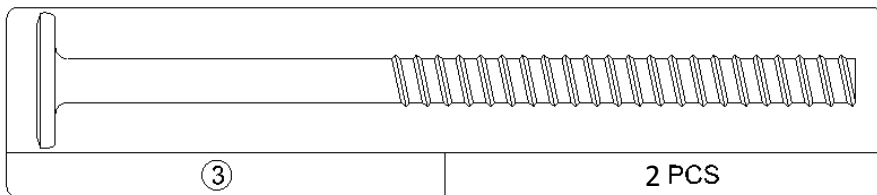
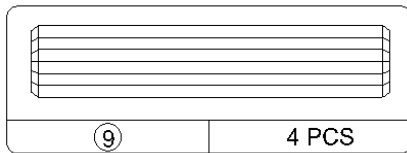
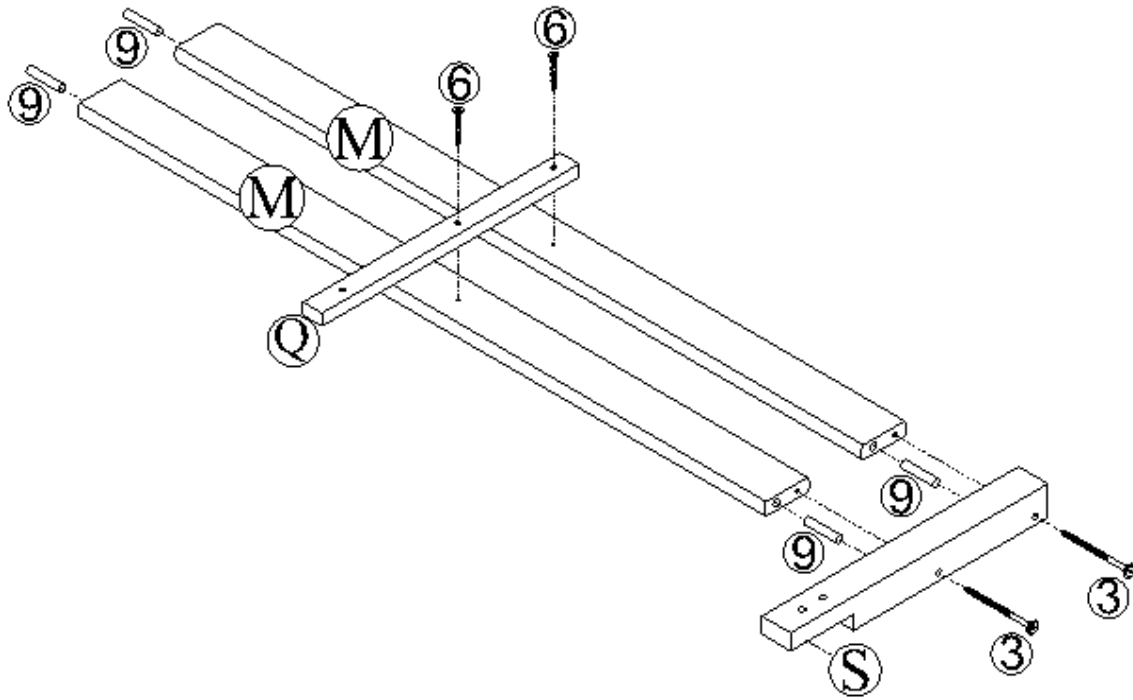
Attach two long guardrails (L) and two top side rails (H and I) to top posts (A and B) & (A and C) as shown using joint connectors (1) & (3).

Use Allen key (12) to tighten all joint connectors.

This is the upper bunk.

TWIN/FULL BUNK BED

DA6940E (ESPRESSO) / DA6940W (WHITE)

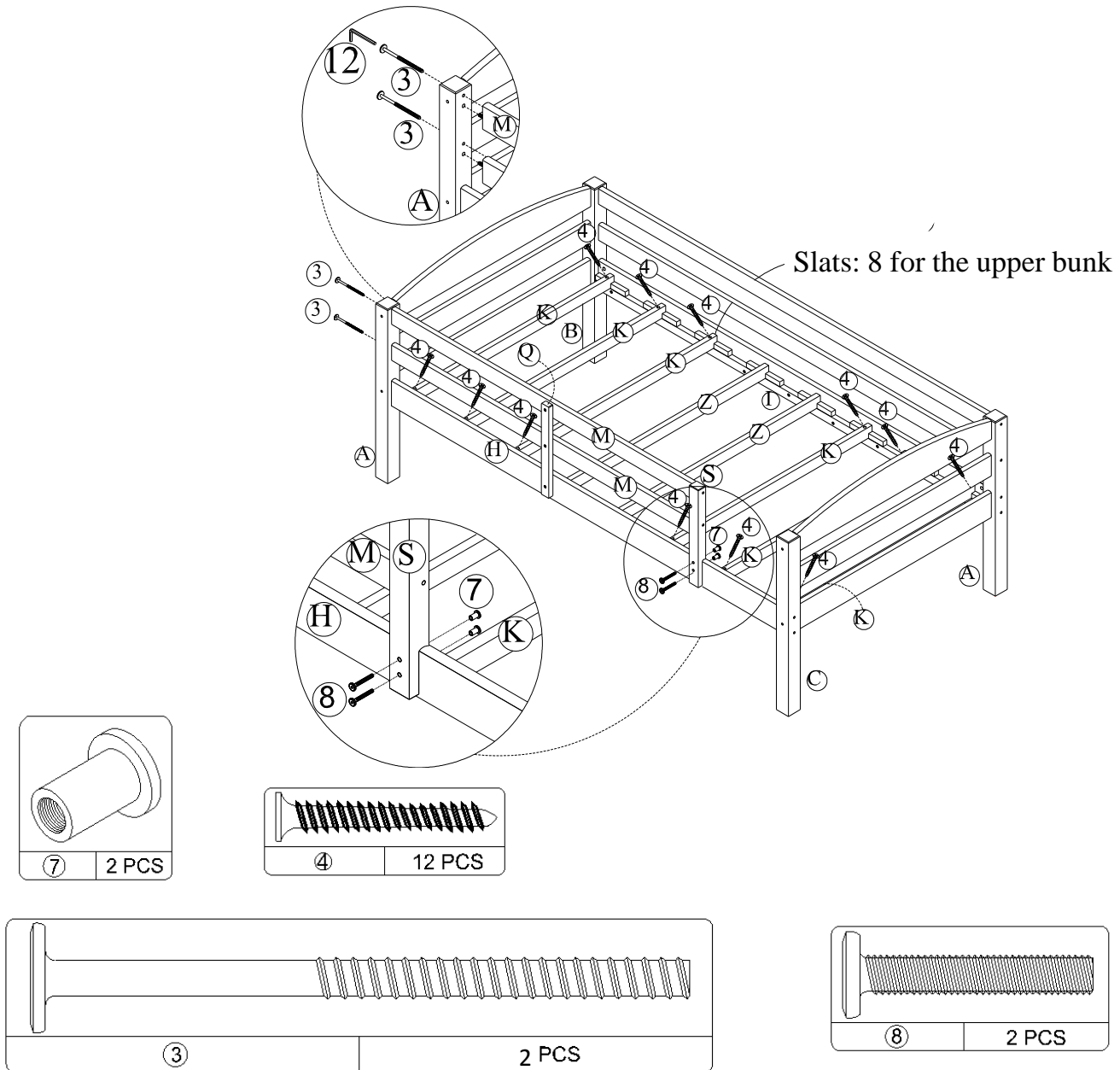


STEP 6

Insert the dowels (9) into each end of short guardrails (M). Attach the short guardrail post (S) and one guardrail leg (Q) to short guardrails (M) with wood joint connectors (3) and flat head wood screws (6).

TWIN/FULL BUNK BED

DA6940E (ESPRESSO) / DA6940W (WHITE)



STEP 7

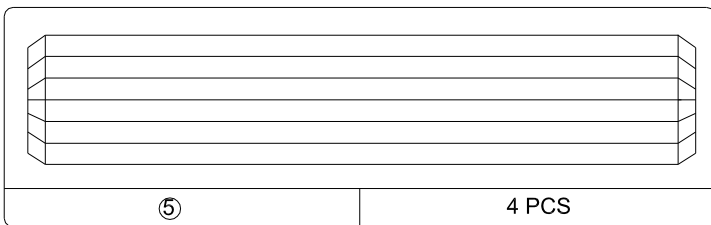
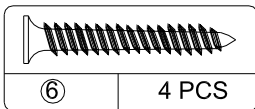
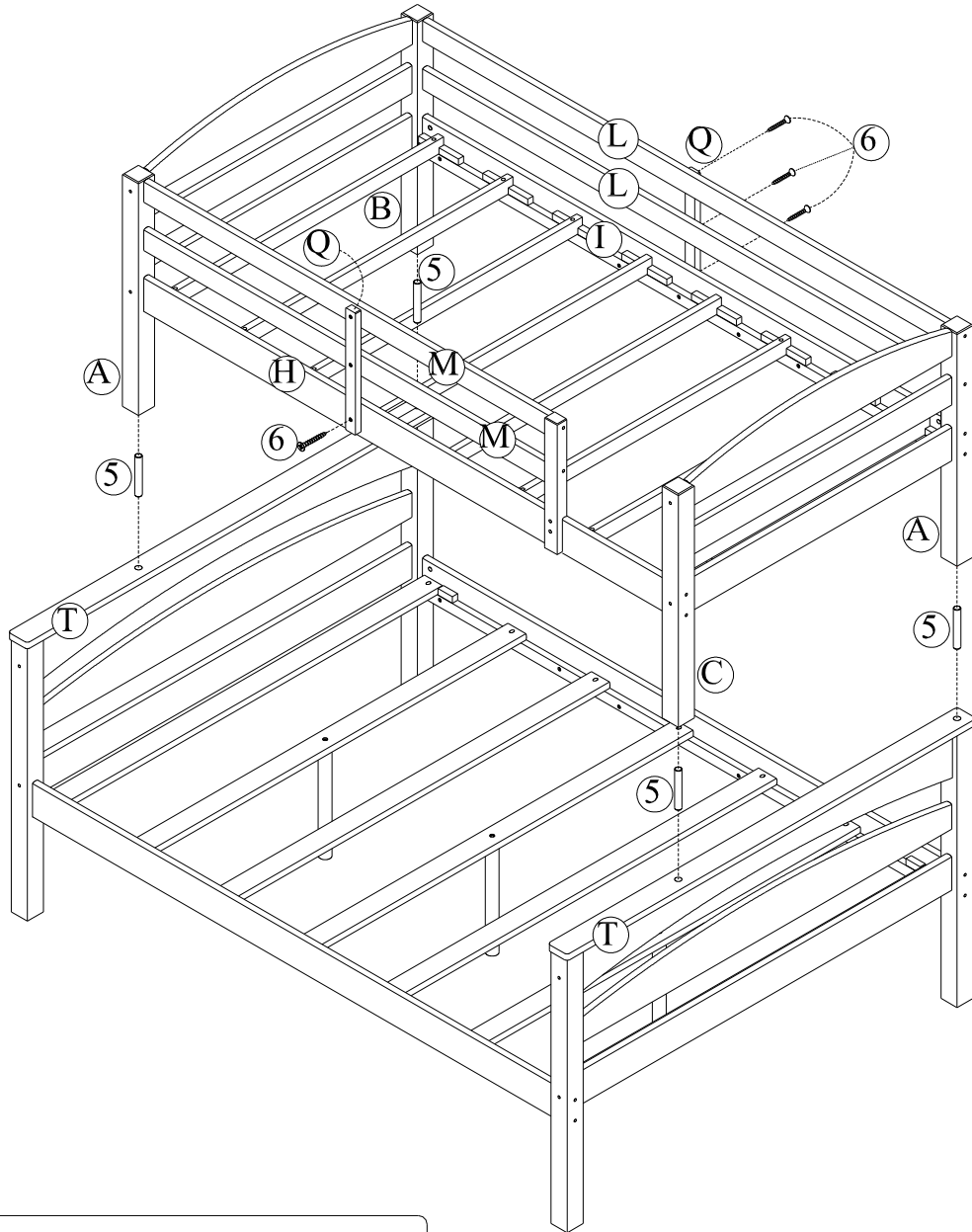
Attach the assembled short guardrail to top post (A) with wood joint connectors (3), and to top side rail (H) using hex socket head bolts (8) and hex caps (7) as shown. And use Allen key (12) to tighten the hex cap (7).

Attach a top slat (K) onto top side rails (H & I) of the top bunk with flat head wood screws (4). Make sure the slat touches the corner posts (as close to the headboard as possible). Attach the other slats (K) onto the top side rails (H & I) with flat head wood screws (4) and place the slats (Z) onto the top side rails (H & I) as shown.

NOTE: Slats (K & Z) must be attached so that they curve up in the middle and down on the ends.

TWIN/FULL BUNK BED

DA6940E (ESPRESSO) / DA6940W (WHITE)



STEP 8

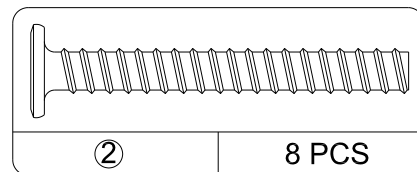
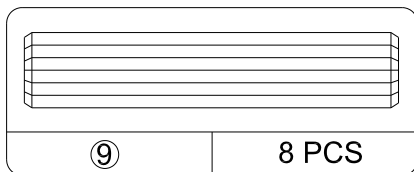
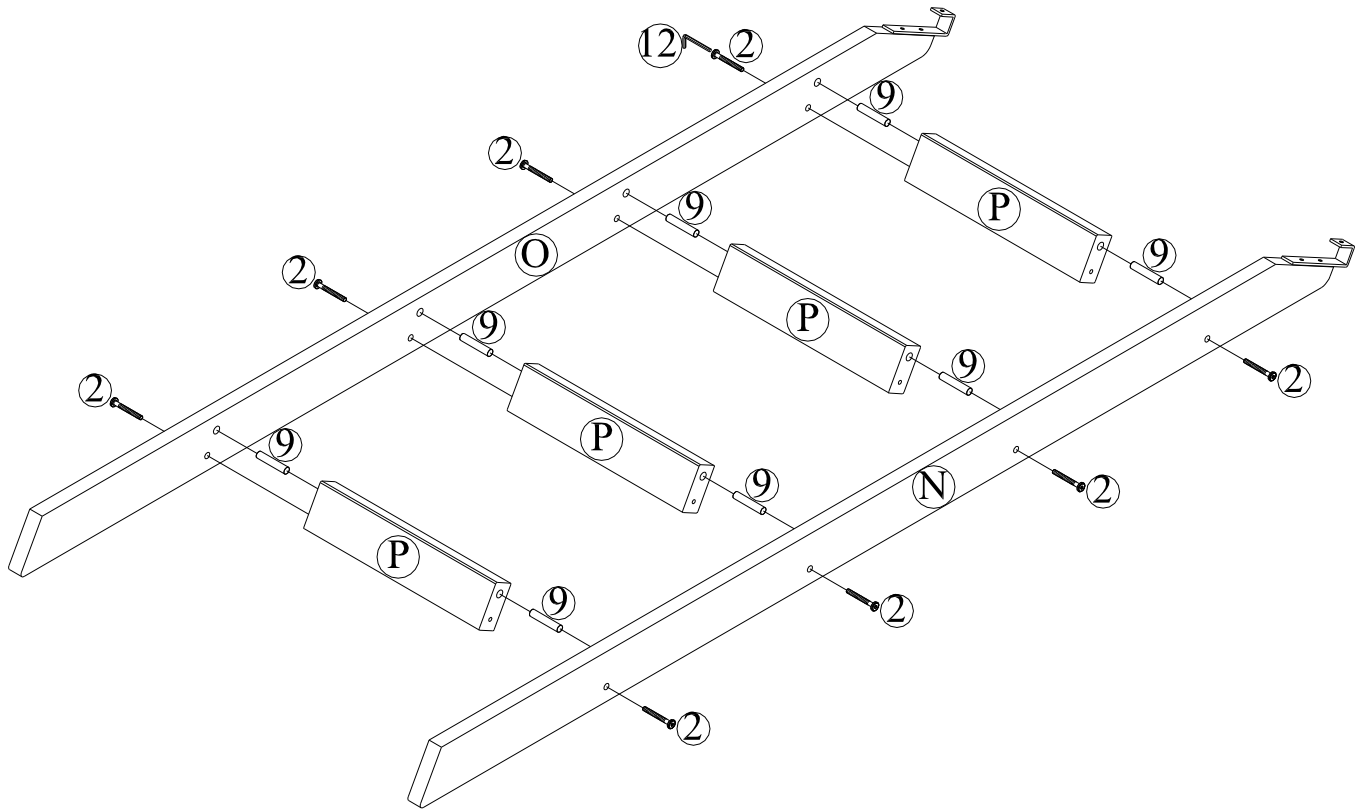
Attach the other guardrail leg (Q) to long guardrails (L) and top side rail (I) with flat head wood screws (6).

Secure the guardrail leg (Q) (done in step 6) to top side rail (H) with flat head wood screw (6) as shown.

Place four wood dowels (5) into the holes in the bottom headboard top crosses (T). With the help of another person, stack the top bunk onto the bottom bunk.

TWIN/FULL BUNK BED

DA6940E (ESPRESSO) / DA6940W (WHITE)

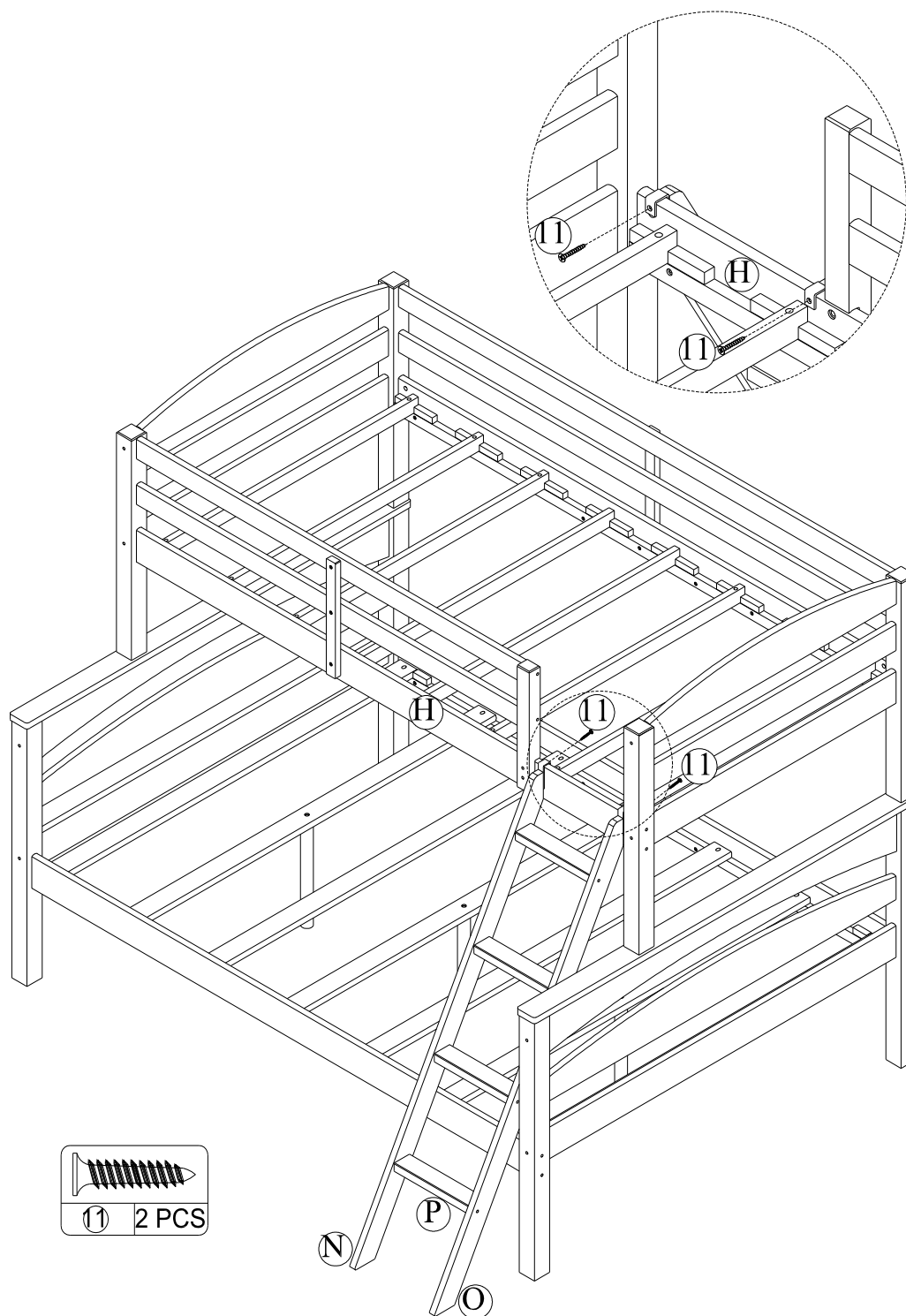


STEP 9

Insert wood dowels (9) into the ends of the ladder steps (P).
Attach left ladder end (N) and right ladder end (O) to ladder steps (P) with wood joint connectors (2). Use Allen key (12) to tighten the joint connectors as shown.

TWIN/FULL BUNK BED

DA6940E (ESPRESSO) / DA6940W (WHITE)

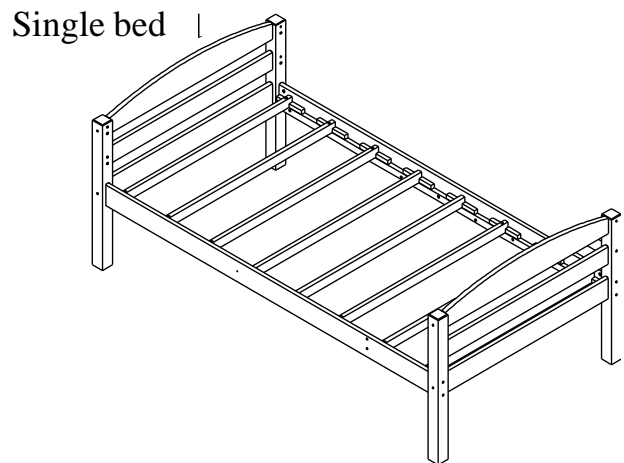
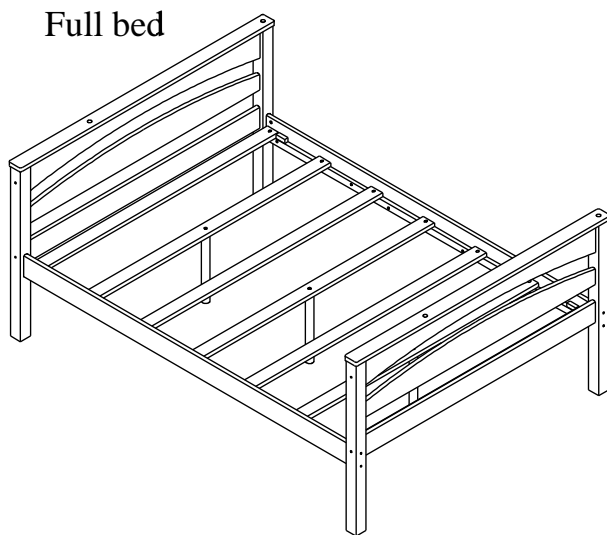
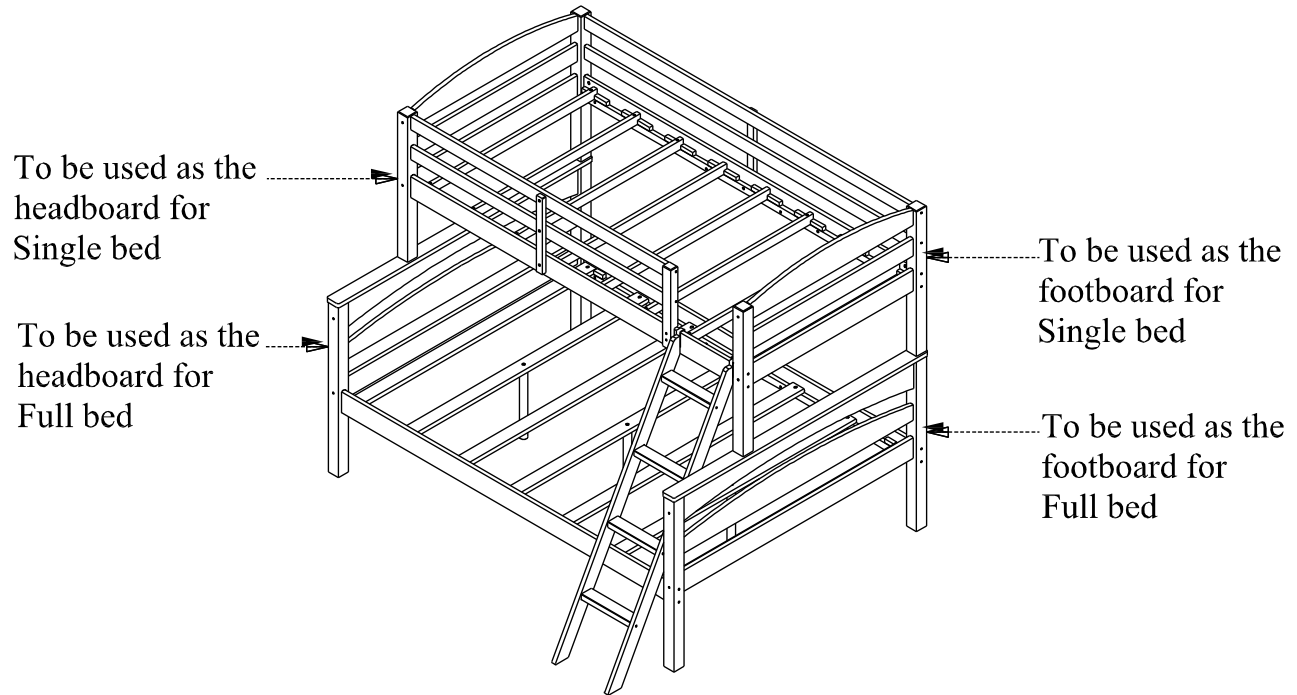


STEP 10

Attach the ladder to the top side rail (H) with flat head screw (11) as shown.

TWIN/FULL BUNK BED DA6940E (ESPRESSO) / DA6940W (WHITE)

Instructions for converting the bunk bed into two beds



CONVERTING THE BUNK BED INTO A FULL BED AND A TWIN BED

Remove the ladder and all the guardrails.

With the help of another person, detach the top bunk from the lower bunk and remove the wood dowels from the posts.

TWIN/FULL BUNK BED

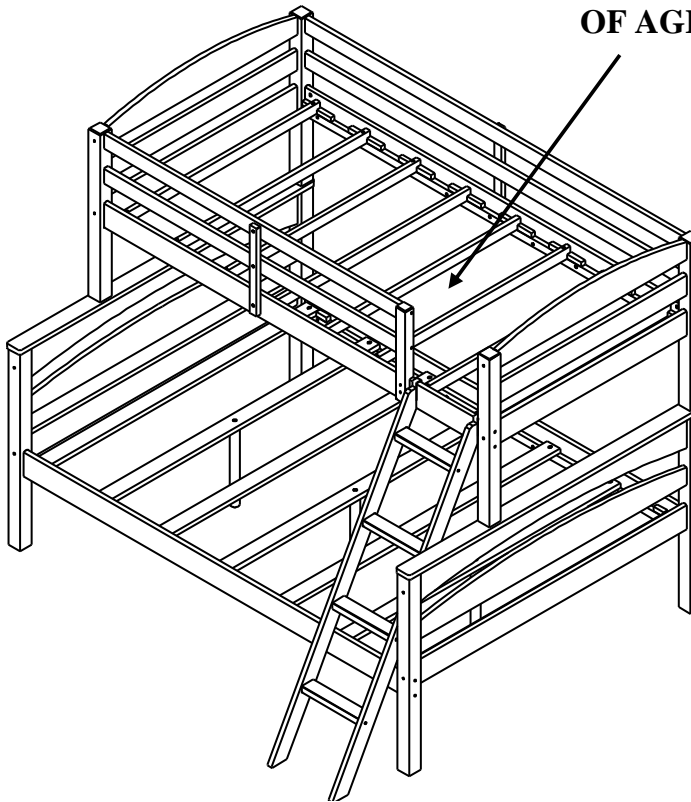
DA6940E (ESPRESSO) / DA6940W (WHITE)



CAUTION: This unit is intended for use only with the products and/or maximum weights indicated. Use with other products and/or products heavier than the maximum weights indicated may result in instability or cause possible injury.

DO NOT ALLOW HORSEPLAY ON OR UNDER THE BED AND PROHIBIT JUMPING ON THE BED.

DO NOT ALLOW CHILDREN UNDER 6 YEARS OF AGE TO USE THE UPPER BUNK. BED IS DESIGNED FOR CHILDREN RANGING FROM 6 YEARS OF AGE TO YOUNG TEENAGERS.



USE ONLY COIL SPRING MATTRESSES ON BOTH THE UPPER AND LOWER BUNKS. FAILURE TO DO SO CAN RESULT IN INJURY.

USE ONLY MATTRESSES WHICH ARE 74"-75" LONG AND 37 1/2" - 38 1/2" WIDE ON UPPER BED AND AT LEAST 74"-75" LONG AND 53"-54" WIDE ON LOWER BED. ENSURE THICKNESS OF MATTRESS DOES NOT EXCEED 6".

That's it! You've finished assembling your bunk bed.

DO NOT RETURN PRODUCT TO THE STORE.

If a part is missing or damaged, contact our customer service department. We will replace the part **FREE** of charge.



Tel #: 1-800-295-1980
E-Mail: das@dorel.com
Fax #: 514-353-7819

Customer Service

PLEASE DO NOT RETURN THIS PRODUCT TO THE STORE

PLEASE CONTACT CUSTOMER SERVICE REPRESENTATIVES AT THE FOLLOWING NUMBERS SHOULD THERE BE ANY MISSING OR DEFECTIVE PART(S).

Customer Service Phone Number 1-800-295-1980	Email: das@dorel.com
Customer Service Fax Number 514-353-7819	

Request Date:

Name:

Shipping Address:

Street & Number:

City & State:

Zip Code:

Day Time Phone Number:
(including area code)

Date & Place of Purchase:

Part(s) description and quantity: (Please be sure to list model number or SKN number)

Customer Service Representative Mailing Address:

Customer Service Department No. 413, 12345 Albert-Hudon Boulevard, Suite 100, Montreal, QC, Canada, H1G 3L1

Free Manuals Download Website

<http://myh66.com>

<http://usermanuals.us>

<http://www.somanuals.com>

<http://www.4manuals.cc>

<http://www.manual-lib.com>

<http://www.404manual.com>

<http://www.luxmanual.com>

<http://aubethermostatmanual.com>

Golf course search by state

<http://golfingnear.com>

Email search by domain

<http://emailbydomain.com>

Auto manuals search

<http://auto.somanuals.com>

TV manuals search

<http://tv.somanuals.com>