

BJC-250

**PARTS
CATALOG**

Canon

FIGURE 1 PRINTER SET

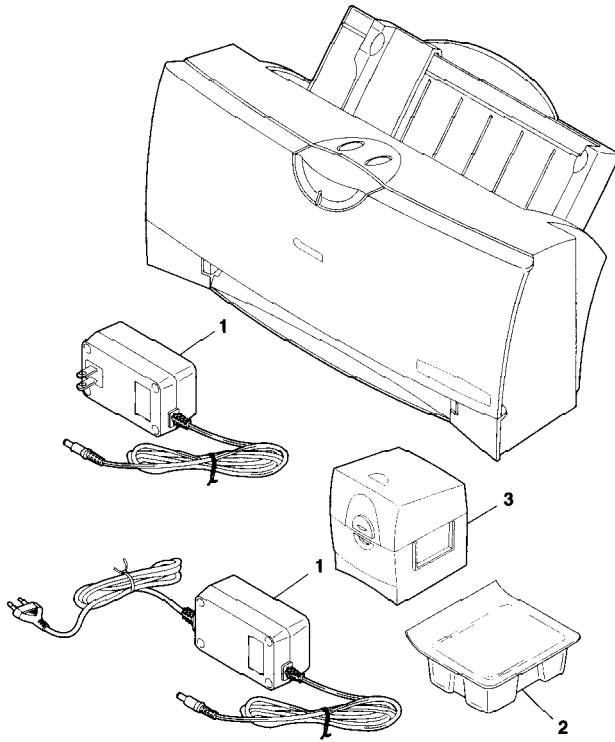
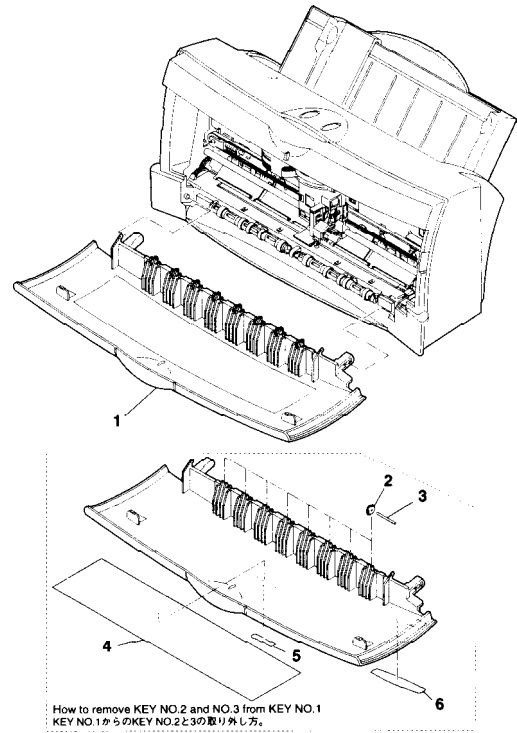
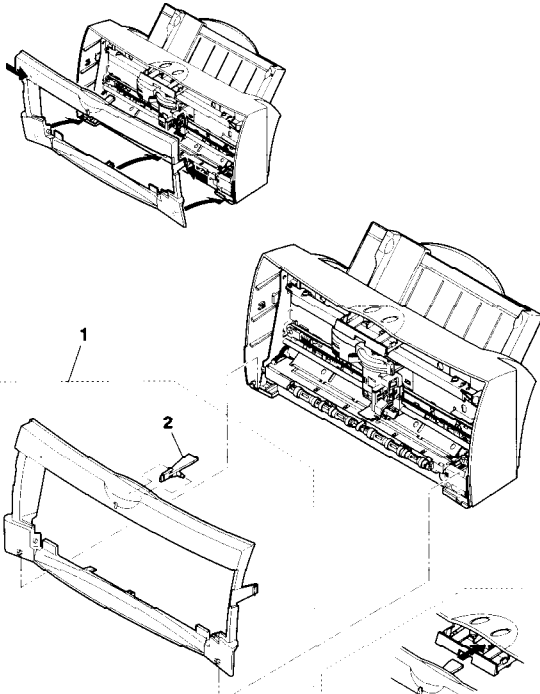


FIGURE 2 FRONT COVER



NUM.	PART #	DESCRIPTION	NUM.	PART #	DESCRIPTION
1 - 1	QH3-3173-000	AC ADAPTER: 120V 60HZ OUTPUT 13VDC, 1.0A	2 - 1	QG5-0972-000	FRONT COVER UNIT (WITH SPUR)
	QH3-3174-000	AC ADAPTER: 220-240V 50HZ OUTPUT 13VDC, 1.0A	2	QB1-1952-000	SPUR
	QH3-3175-000	AC ADAPTER: 240V 50HZ, UK OUTPUT 13VDC, 1.0A	3	QB1-1039-000	SPURSHAFT
	QH3-3176-000	AC ADAPTER: 240V 50HZ, AUS OUTPUT 13VDC, 1.0A	4	QB1-2264-000	LABEL, INSTALL
2	NPN	BLACK BJ CARTRIDGE PACK	5	QS5-8265-000	PLATE, LOGO
	NPN	COLOR BJ CARTRIDGE PACK	6	QB1-2948-000	PLATE, MODEL NAME
	NPN	COLOR BJ CARTRIDGE PHOTO PACK			
3	NPN	BJ CARTRIDGE CONTAINER			

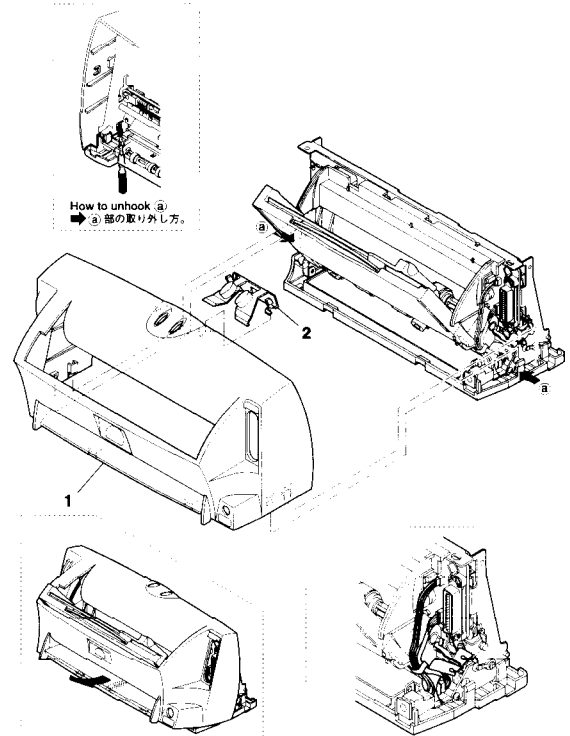
FIGURE 3 UPPER COVER



When removing the key No. 1 part, remove the top claws first. When reassembling, reassemble the bottom claws first.
 Key No. 1を取り外す際は、上側を先に外して下さい。組み込む際は、下側を先に組み込んで下さい。

When assembling Key No. 1, take care not to knock the push button.
 Key No. 1を組み込む際は、プッシュボタンにぶつからない様に注意して下さい。

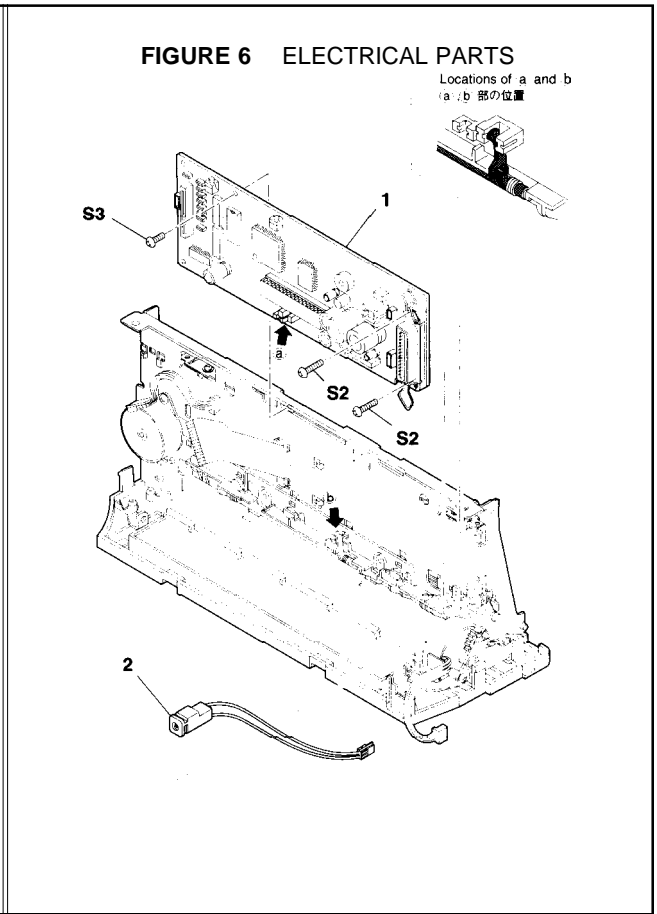
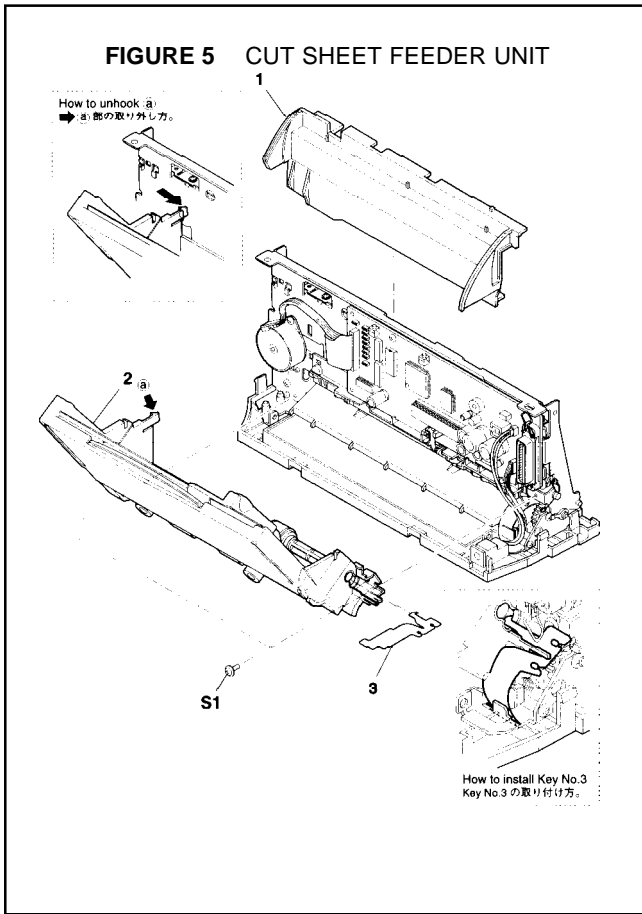
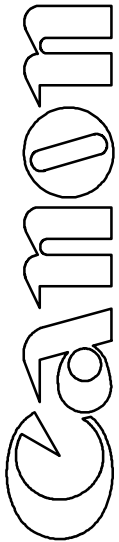
FIGURE 4 REAR COVER



How to remove KEY NO.1
 KEY NO.1の取り外し方。

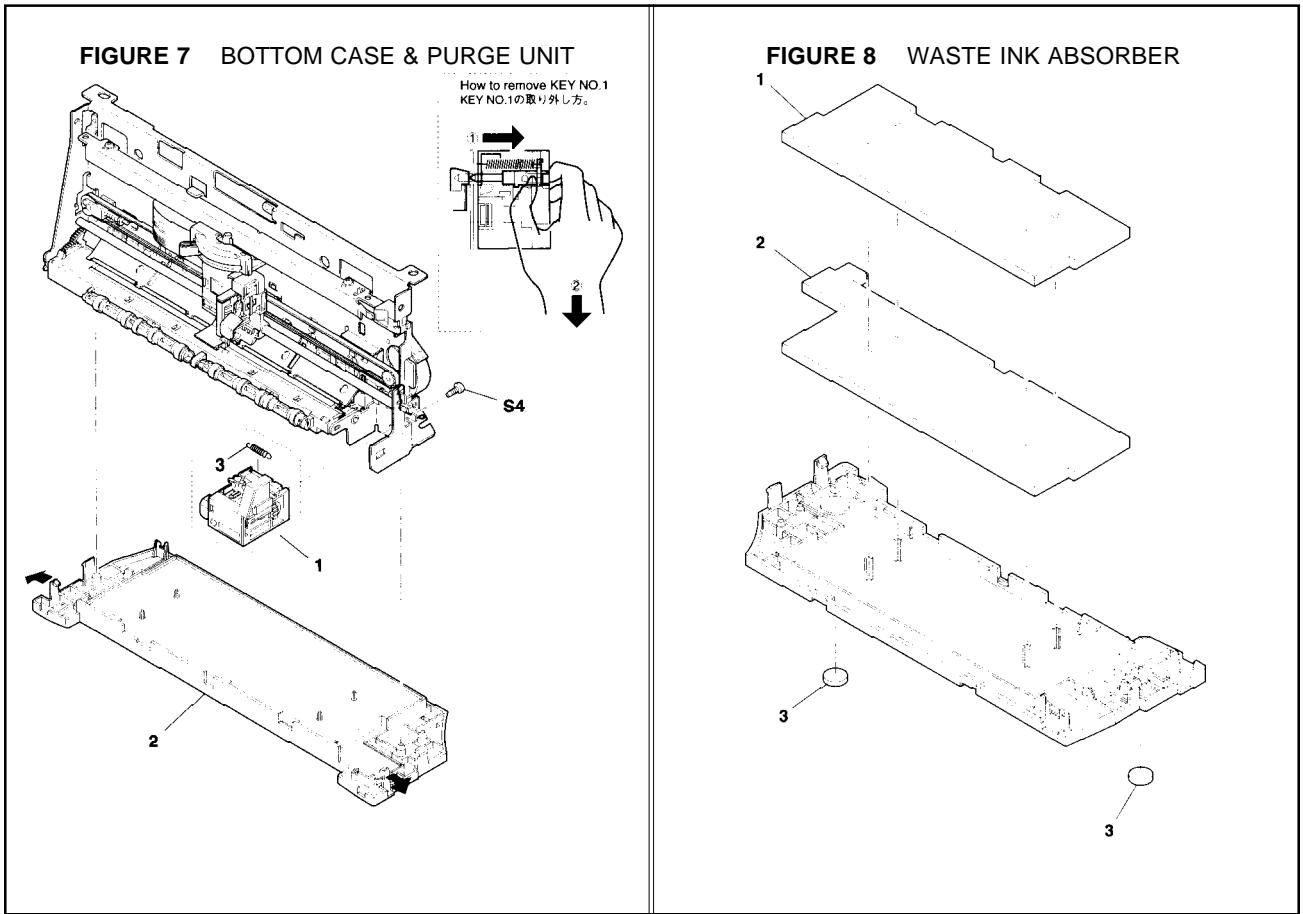
Wiring method
 配線方法

NUM.	PART #	DESCRIPTION	NUM.	PART #	DESCRIPTION
3 - 1	QG5-0974-000	UPPER CASE UNIT (WITH BUTTON & COVER)	4 - 1	QB1-2951-000	COVER, REAR
2	QB1-2256-000	GUIDE, INDICATOR	2	QB1-2255-000	BUTTON, PUSH

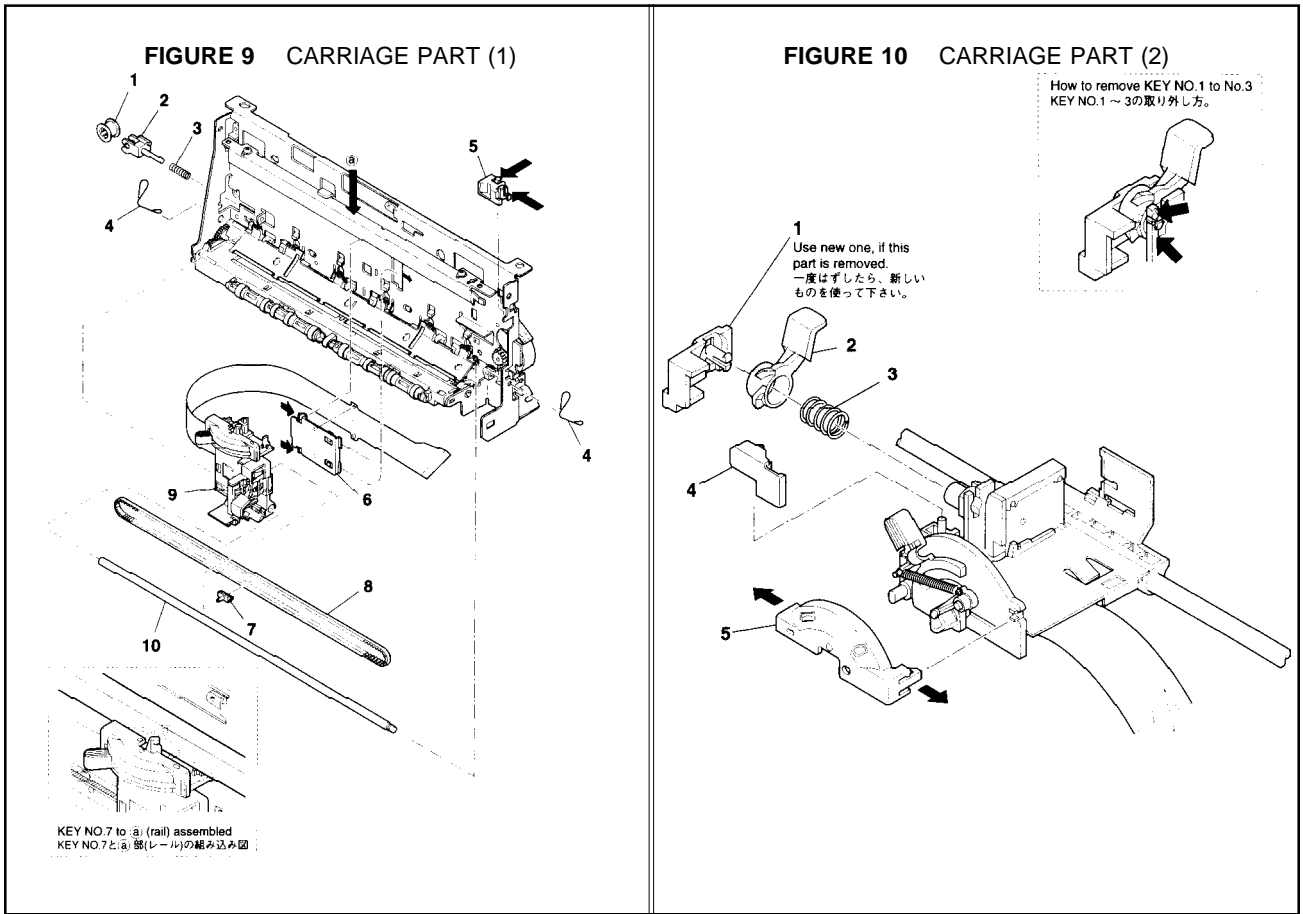


NUM.	PART #	DESCRIPTION
5 - 1	QB1-2952-000	COVER, LOGIC BOARD
2	QG5-0959-000	SHEET FEEDER UNIT
3	QB1-2267-000	SHEET, PROTECT

NUM.	PART #	DESCRIPTION
6 - 1	QG2-2913-000	LOGIC BOARD ASSY
2	QG2-2645-000	DC CONNECTOR ASSY



NUM.	PART #	DESCRIPTION	NUM.	PART #	DESCRIPTION
7 - 1	QG5-0671-000	PURGE UNIT	8 - 1	QB1-2253-000	ABSORBER, INK, UPPER
2	QG5-0971-000	BOTTOM COVER UNIT	2	QB1-2252-000	ABSORBER, INK, LOWER
3	QB1-0467-000	SPRING, HOOK END COIL	3	QB1-0507-000	FOOT, PRINTER



NUM.	PART #	DESCRIPTION	NUM.	PART #	DESCRIPTION
9 - 1	QB1-0501-020	ROLLER, IDLER	10 - 1	QB1-0440-020	COVER, HOOK
2	QB1-0502-000	BRACKET, IDLER	2	QB1-0437-030	LEVER, HOOKING
3	QB1-0503-000	SPRING, COIL	3	QB1-0439-000	SPRING, COIL
4	QB1-1229-000	CLIP, SHAFT	4	QB1-2027-000	HOOK, CARRIAGE
5	QB1-0406-000	GUIDE, CORNER	5	QB1-2943-000	COVER, CARRIAGE TOP
6	QB1-0497-020	HOLDER, CARRIAGE RIBBON CABLE			
7	QB1-2250-020	HOLDER, BELT			
8	QB1-1260-000	BELT, CARRIAGE			
9	QG5-0970-000	CARRIAGE UNIT			
10	QB1-2048-000	SHAFT, CARRIAGE			

FIGURE 11 CARRIAGE PART (3)

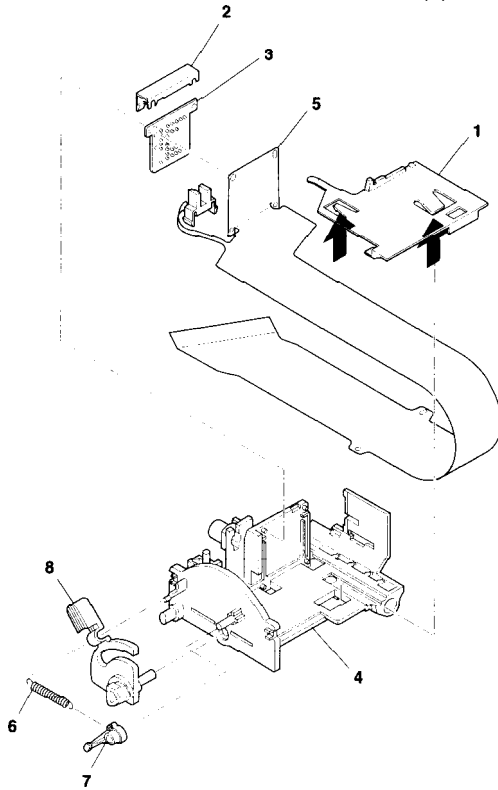
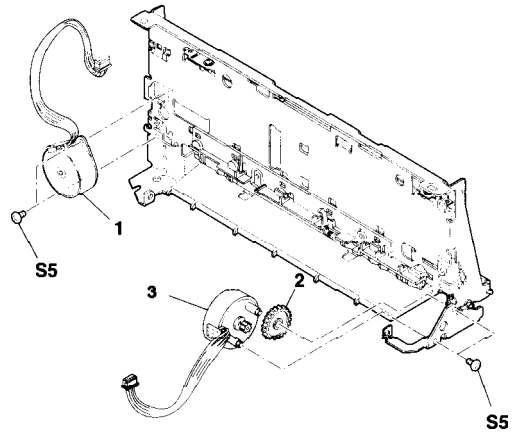


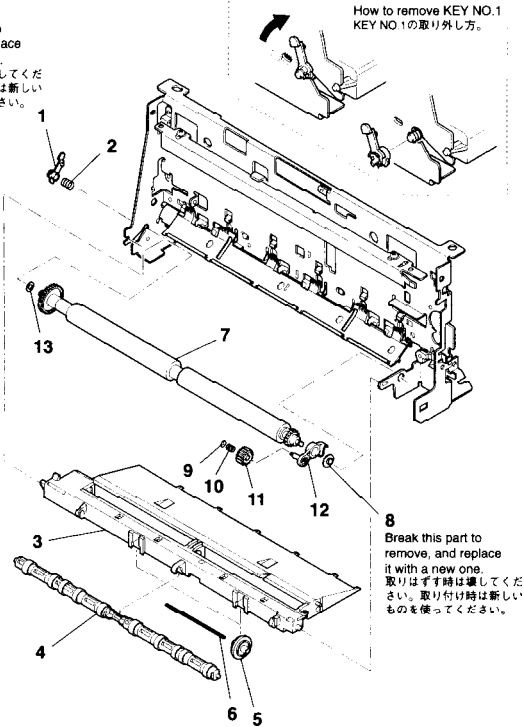
FIGURE 12 MOTORS



NUM.	PART #	DESCRIPTION	NUM.	PART #	DESCRIPTION
11 - 1	QB1-0435-000	GUIDE, RIBBON CABLE	12 - 1	QH4-4182-000	MOTOR, CARRIAGE
2	QB1-0441-000	HOLDER, RIBBON CABLE (UPPER)	2	QB1-0500-000	GEAR, SLOW DOWN
3	QB1 -2021-000	PAD, CONTACT	3	QH4-4114-000	MOTOR, PAPER FEED
4	QB1-2941-000	BASE, CARRIAGE			
5	QG2-2703-000	CARRIAGE, RIBBON CABLE ASS'Y			
6	QB1-2945-000	SPRING, HOOK END COIL			
7	QB1-2917-000	CAM, TENSION			
8	QB1-2944-000	LEVER, FORMS THICKNESS			

FIGURE 13 PAPER FEED PART (1)

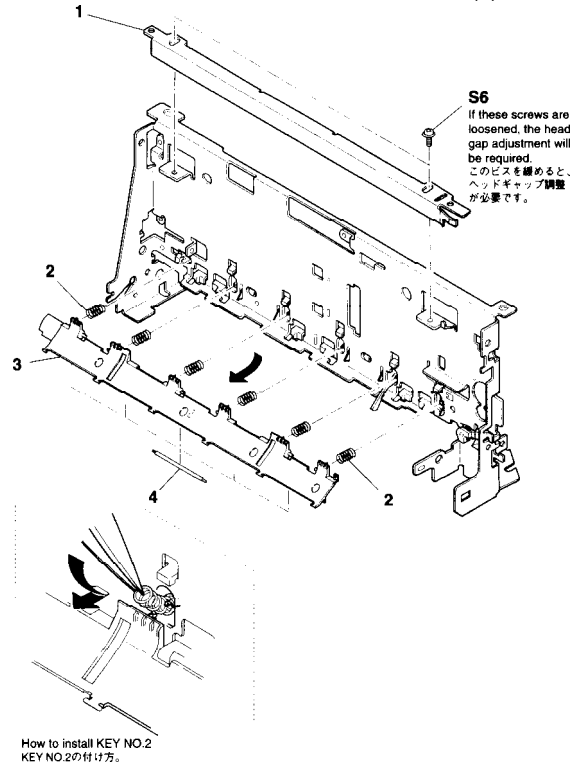
Break this part to remove, and replace it with a new one.
取りはずす時は壊してください。取り付け時は新しいものを使ってください。



How to remove KEY NO.1
KEY NO.1の取り外し方。

Break this part to remove, and replace it with a new one.
取りはずす時は壊してください。取り付け時は新しいものを使ってください。

FIGURE 14 PAPER FEED PART (2)



S6
If these screws are loosened, the head gap adjustment will be required.
このビスを緩めると、ヘッドギャップ調整が必要です。

How to install KEY NO.2
KEY NO.2の付け方。

NUM.	PART #	DESCRIPTION	NUM.	PART #	DESCRIPTION
13 - 1	QB1-0417-000	BUSHING	14 - 1	QB1-2940-000	FRAME, CARRIAGE GUIDE
2	QB1-0423-000	SPRING, COIL	2	QB1-0664-000	SPRING, COIL
3	QB1-2246-000	PLATEN	3	QB1-0409-000	PLATE, PRESSURE
4	QB1-2028-000	ROLLER, EJECT	4	QB1-0684-000	ROLLER, PRESSURE
5	QB1-2055-000	ROLLER, TRANSMISSION			
6	QB1-0419-000	SHAFT, ROLLER			
7	QF5-0280-000	FEED ROLLER ASSY			
8	QB1-0422-000	BUSHING			
9	XA9-0613-000	NUT, SUS			
10	QB1-0421-000	SPRING, COIL			
11	QB1-0425-000	GEAR, TRANSMISSION			
12	QB1-0420-000	ARM, TRANSMISSION			
13	QB1-0622-000	WASHER, PLAIN			

FIGURE 15 PRINTER FRAME

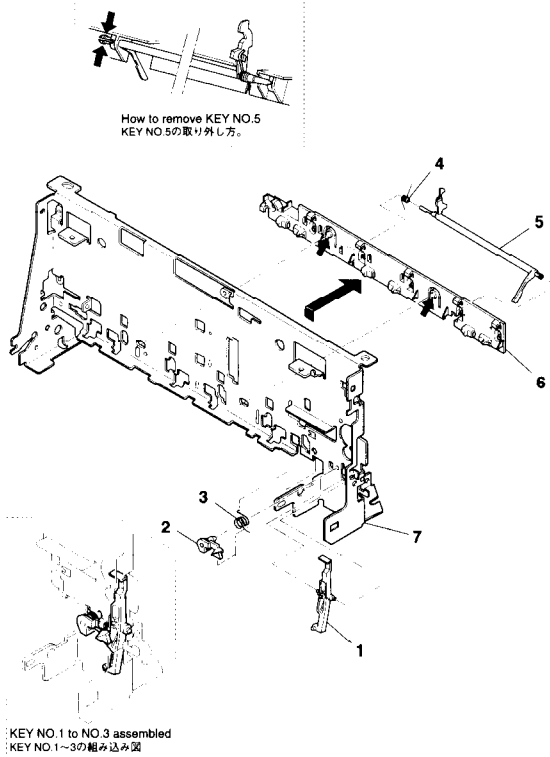
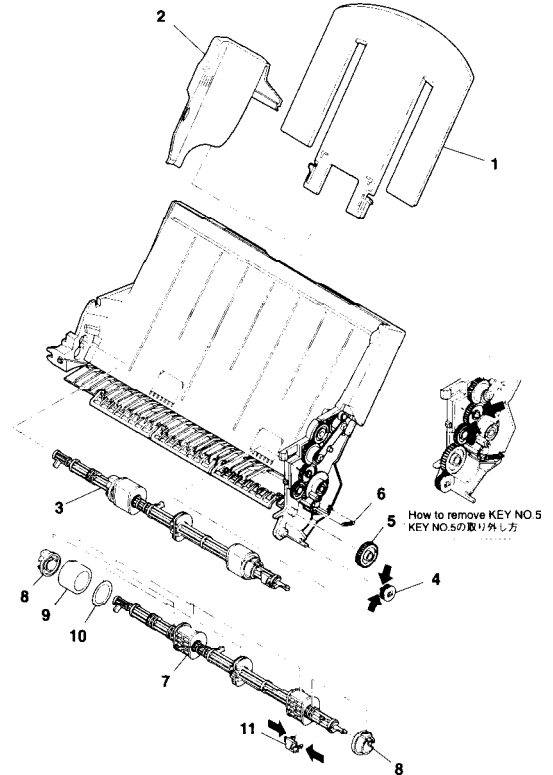


FIGURE 16 CUT SHEET FEEDER PART (1)



NUM.	PART #	DESCRIPTION
15 - 1	QB1-0413-000	ARM, SENSOR
2	QB1-0414-000	HOOK, CARRIAGE
3	QB1-0415-000	SPRING, TORSION
4	QB1-0412-000	SPRING, TORSION
5	QB1-0411-000	ARM, PAPER SENSOR
6	QB1-2240-000	GUIDE, PRESSURE PLATE
7	QB1-0403-000	FRAME, PRINTER

NUM.	PART #	DESCRIPTION
16 - 1	QB1-3037-000	SUPPORT, PAPER
2	QB1-2921-000	GUIDE, PAPER
3	QG5-0960-000	PICK-UP ROLLER UNIT
4	QB1-0485-000	GEAR, TRANSMISSION
5	QB1-0480-000	GEAR, TRANSMISSION
6	QB1-2194-000	SPRING, HOOK END COIL
7	QB1-2923-000	SHAFT, PICK-UP ROLLER
8	QB1-2197-000	ROLLER, SLIP
9	QB1-2198-000	RING, RUBBER, PICK-UP
10	QB1-2924-000	RING, RUBBER
11	QB1-0433-000	PAPER GUIDE

FIGURE 17 CUT SHEET FEEDER PART (2)

To put gears in the correct position, the marks must be in alignment.
マークに合わせて取り付けて下さい。

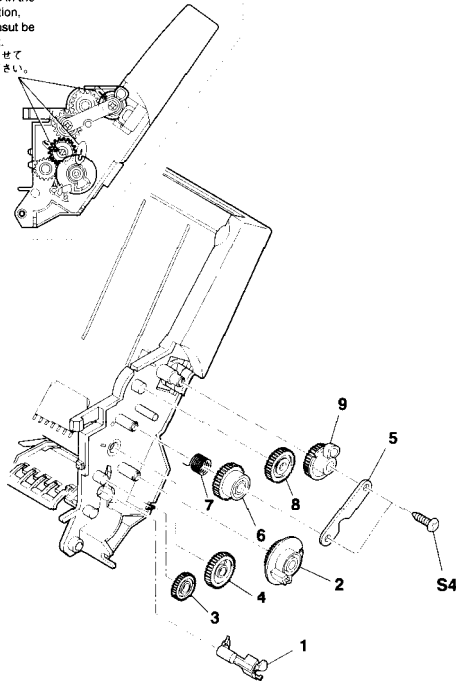
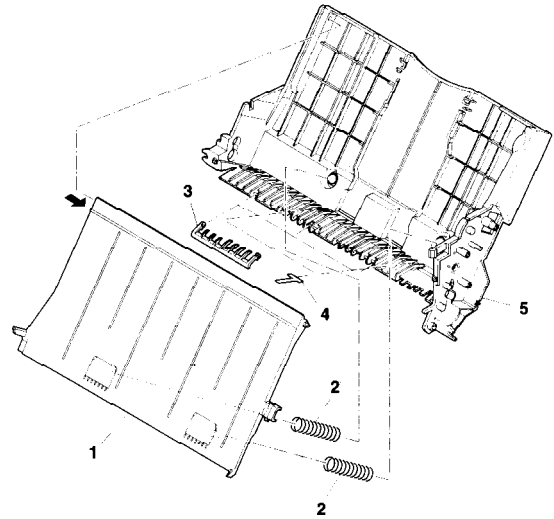


FIGURE 18 CUT SHEET FEEDER PART (3)



NUM.	PART #	DESCRIPTION	NUM.	PART #	DESCRIPTION
17 - 1	QB1-2929-000	SEPARATOR, PAPER	18 - 1	QF5-0351-000	PAPER LIFTING PLATE ASSY
2	QB1-2192-000	GEAR, CONTROL	2	QB1-2931-000	SPRING, COIL
3	QB1-0479-000	GEAR, TRANSMISSION	3	QB1-2922-000	FLAPPER, MEDIA SUPPORT
4	QB1-2212-000	GEAR, PICK-UP ROLLER	4	QB1-1950-000	SHEET, MEDIA STOPPER
5	QB1-2195-000	PLATE, GUIDE	5	QB1-2920-000	FRAME, ASF
6	QB1-0483-000	GEAR, ONE WAY CLUTCH			
7	QB1-0482-000	SPRING, ONE WAY CLUTCH			
8	QB1-0484-000	GEAR, TRANSMISSION			
9	QB1-2193-000	GEAR, CAM			

Free Manuals Download Website

<http://myh66.com>

<http://usermanuals.us>

<http://www.somanuals.com>

<http://www.4manuals.cc>

<http://www.manual-lib.com>

<http://www.404manual.com>

<http://www.luxmanual.com>

<http://aubethermostatmanual.com>

Golf course search by state

<http://golfingnear.com>

Email search by domain

<http://emailbydomain.com>

Auto manuals search

<http://auto.somanuals.com>

TV manuals search

<http://tv.somanuals.com>