

***BJC-800***

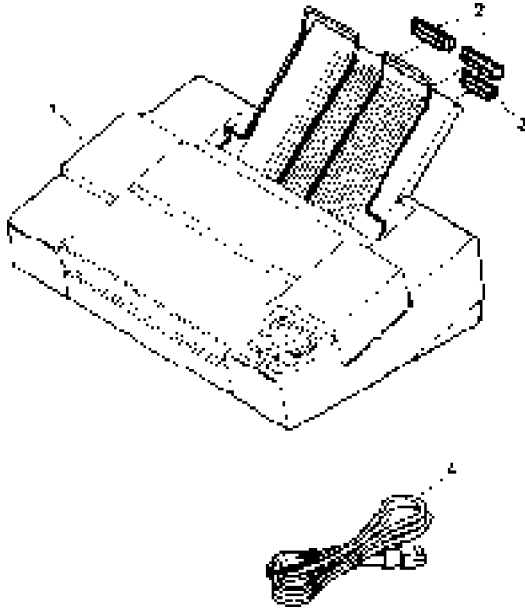
***BJC-820***

**PARTS  
CATALOG**

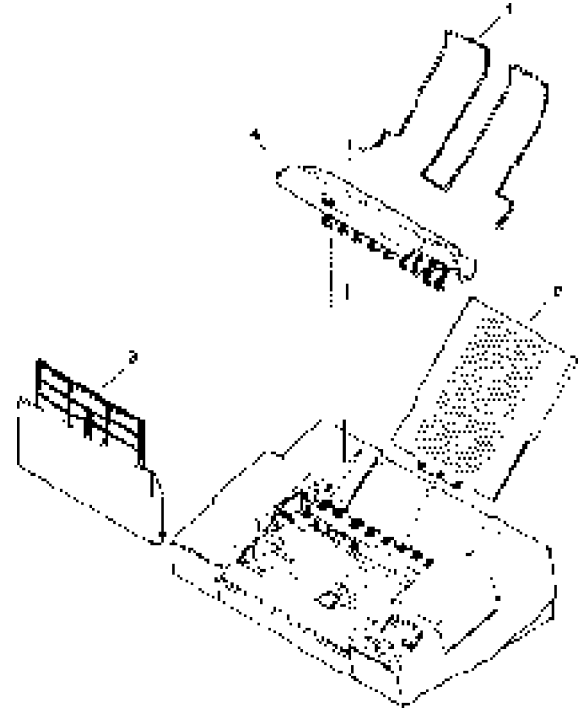
**Canon**

---

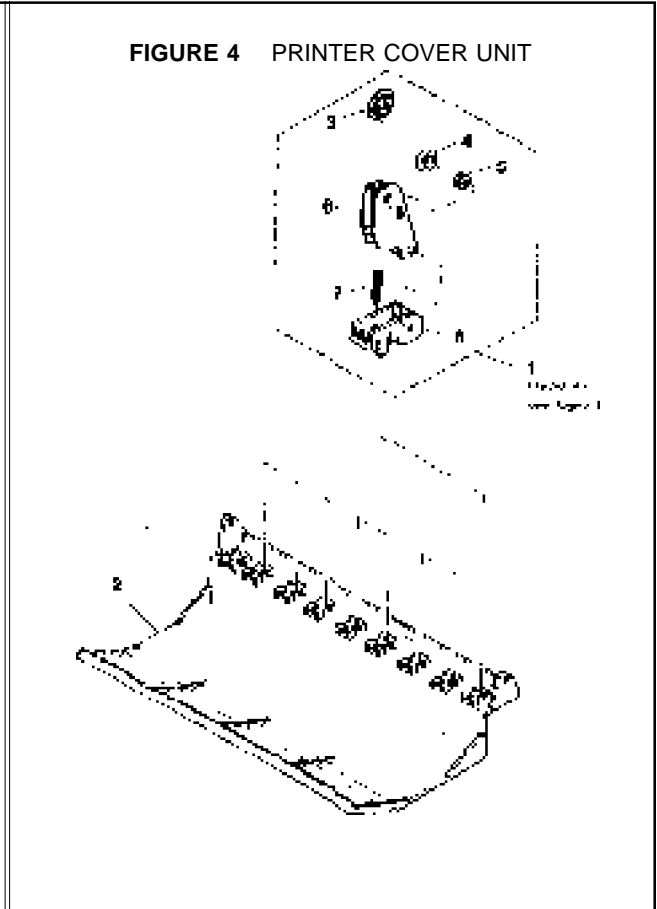
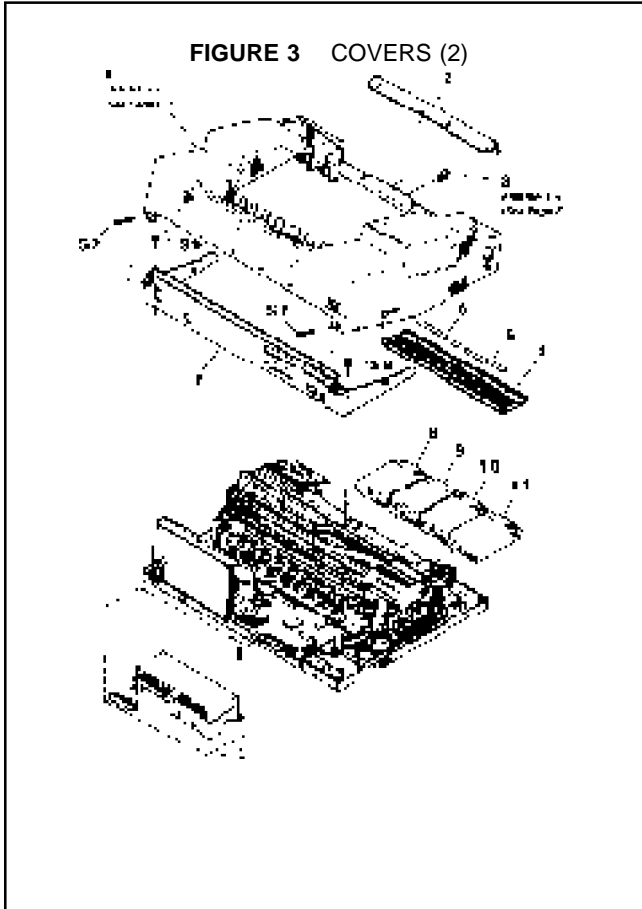
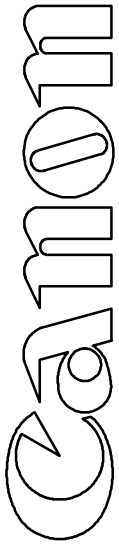
**FIGURE 1** PRINTER SET



**FIGURE 2** COVERS (1)



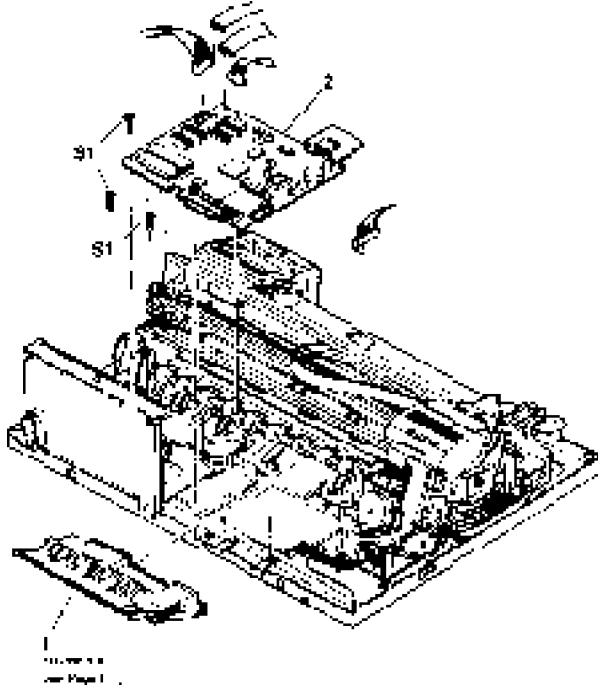
NUM.	PART #	DESCRIPTION	NUM.	PART #	DESCRIPTION
1-1	NPN	PRINTER	2-1	QB1-0210-000	SUPPORT, PAPER
2	VS9-5010-050	CAP, CONNECTOR, 50 PIN (FOR BJC-820) (2)	2	QB1-0192-000	GUIDE, PRINTED PAPER
3	VS9-5010-036	CAP, CONNECTOR, 36 PIN	3	QG5-0026-000	COVER, FRONT (FOR BJC-820)
4	RH2-5074-000	CORD, POWER 120V	3	QG5-0039-000	COVER, FRONT (FOR BJC-800)
	RH2-5116-000	CORD, POWER (220V-240V)	4	NPN	PRINTER COVER UNIT
	WT3-5014-000	CORD, POWER (220V-240V UK)			



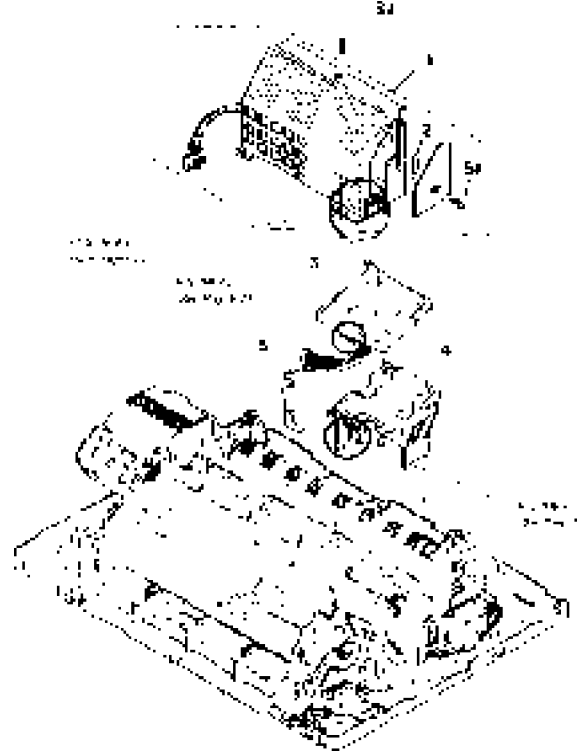
NUM.	PART #	DESCRIPTION
3-1	QB1-0196-000	COVER, UPPER
2	QB1-0209-000	PLATE, UPPER COVER
3	XZ9-0340-000	COUPLER
4	QB1-0195-000	COVER, INK CARTRIDGE
5	QS5-8008-000	LABEL, INK CARTRIDGE, LEFT
6	QS5-8009-000	LABEL, INK CARTRIDGE, RIGHT
7	QB1-0199-000	COVER, REAR
8	NPN	INK CARTRIDGE UNIT, YELLOW
9	NPN	INK CARTRIDGE UNIT, MAGENTA
10	NPN	INK CARTRIDGE UNIT, CYAN
11	NPN	INK CARTRIDGE UNIT, BLACK

NUM.	PART #	DESCRIPTION
4-1	QG5-0041-000	SPUR UNIT (9)
2	QB1-0194-000	COVER, INNER
3	QF5-0003-000	SPUR
4	QB1-0186-000	CLEANER
5	QB1-0187-000	HOLDER, CLEANER
6	QB1-0184-000	HOLDER, SPUR
7	QB1-0205-000	SPRING, SPUR
8	QB1-0185-000	BASE, HOLDER

**FIGURE 5 LOGIC CARD**



**FIGURE 6 POWER SUPPLY UNIT & CONTROL PANEL**

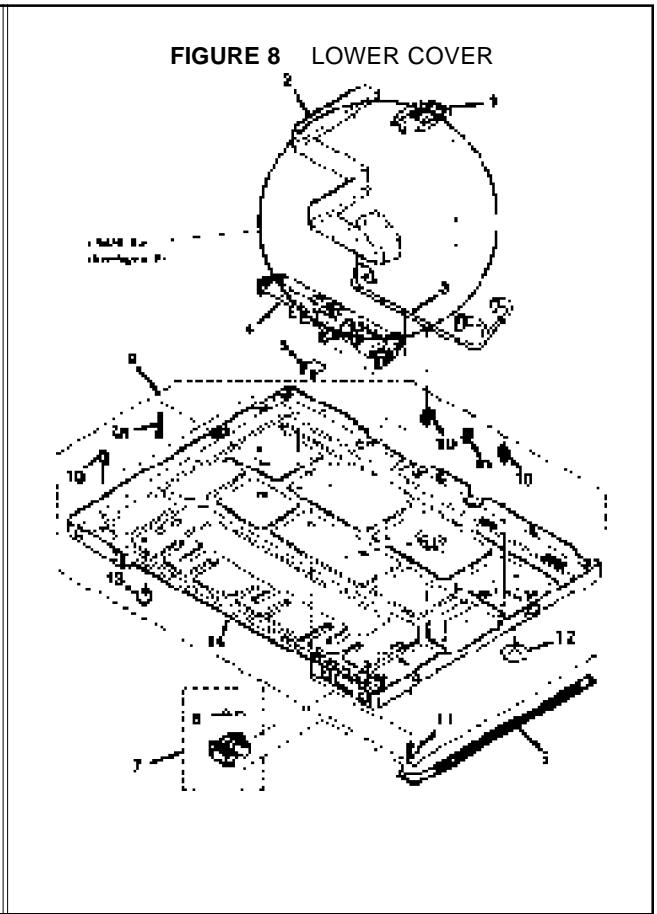
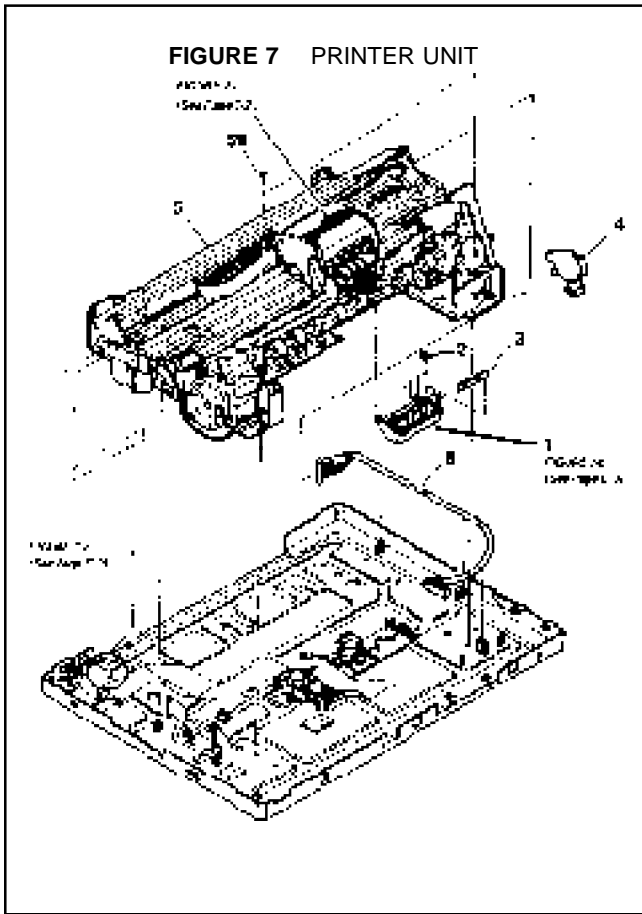


NUM.	PART #	DESCRIPTION
------	--------	-------------

5-1	QB1-0217-000	COVER, CARD
2	QG2-2347-000	CARD, LOGIC

NUM.	PART #	DESCRIPTION
------	--------	-------------

6-1	QH3-3079-000	POWER SUPPLY UNIT (120V)
	QH3-3080-000	POWER SUPPLY UNIT (220V-240V / 220V-240V UK)
2	QY7-0392-000	FUSE, 125V 3.15A (120V)
3	QY7-0393-000	FUSE, 250V 2A (220V-240V / 220V-240V UK)
4	QH2-2072-000	PANEL, CONTROL
5	QB1-0207-000	BASE, CONTROL PANEL
6	QB1-0208-000	PLATE, GROUND
N/A	QY7-0397-000	COVER, OPEN DETECTION LEVER



NUM.	PART #	DESCRIPTION
7-1	QB1-0082-000	COVER, HEAD
2	QB1-0068-000	STABILIZER, HEAD (A) (4)
3	QB1-0087-000	STABILIZER, HEAD (B)
4	QY6-0026-000	BUBBLE JET HEAD UNIT
5	NPN	PRINTER UNIT
6	QG2-2352-000	CABLE, CONNECTOR CARD LEFT

NUM.	PART #	DESCRIPTION
8-1	QB1-0203-000	GUIDE, RIBBON CABLE
2	QG2-2354-000	RIBBON CABLE UNIT
3	QG2-2351-000	MOTOR CABLE UNIT
4	QB1-0202-000	HOLDER, LOGIC CARD
5	QB1-0218-000	PLATE, GROUND (2)
6	QB1-0212-000	ARM, POWER SWITCH
7	QG5-0037-000	SWITCH, POWER
8	QB1-0213-000	SPRING, PLATE
9	QG5-0036-000	LOWER COVER UNIT
10	WT2-5006-000	CLAMP, CABLE (7)
11	WT2-0419-000	SPACER, LOGIC CARD (2)
12	QB1-0200-000	FOOT, RUBBER REAR (2)
13	XH9-0073-000	FOOT, RUBBER FRONT (2)
14	QB1-0197-000	COVER, LOWER

FIGURE 9 PURGE UNIT (1)

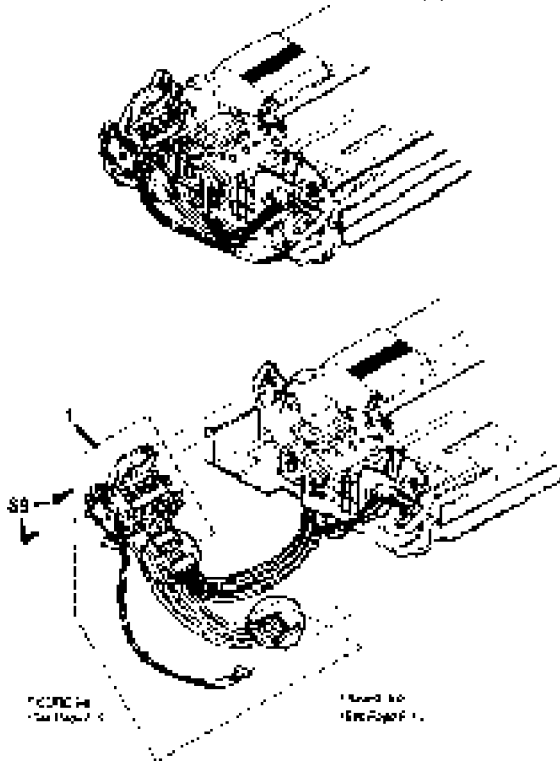
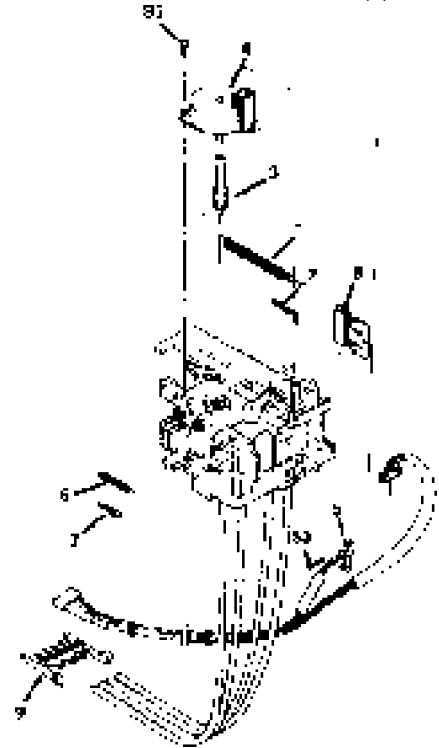
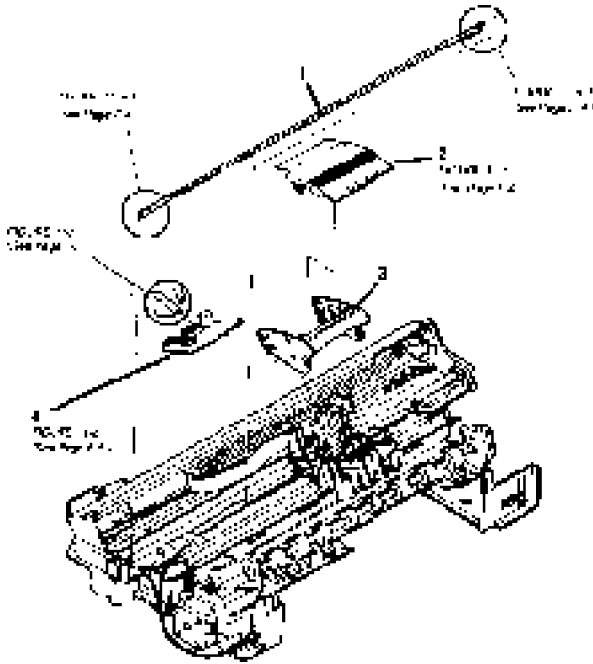


FIGURE 10 PURGE UNIT (2)

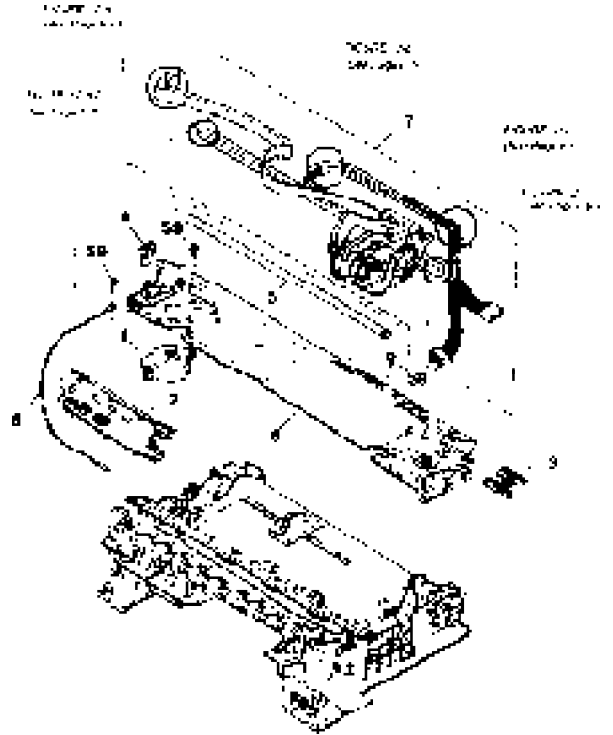


NUM.	PART #	DESCRIPTION	NUM.	PART #	DESCRIPTION
9-1	QG5-0030-000	PURGE UNIT	10-1	QB1-0125-000	SPRING, CAP HOLDER
			2	QB1-0128-000	SPRING, HOOK
			3	QB1-0099-000	GEAR, WORM
			4	QH4-4027-000	MOTOR, PURGE
			5	QG2-2353-000	PURGE SENSOR UNIT
			6	QB1-0228-000	SPRING, HEAD SPONGE
			7	QB1-0127-000	SPRING, HEAD WIPER
			8	QF5-0009-000	PLATE, INK ABSORBER
			9	QB1-0131-000	JOINT, DRAIN (B)

**FIGURE 11** PRINT TIMING SLIT & CARRIAGE CARD



**FIGURE 12** CARRIAGE UNIT



NUM.	PART #	DESCRIPTION
11 - 1	QB1-0064-000	SLIT, PRINT TIMING
2	QB1-0088-000	COVER, CARRIAGE CARD HOLDER
3	QB1-0083-000	HOLDER, CARRIAGE CARD
4	QG2-2350-000	CARD, CARRIAGE

NUM.	PART #	DESCRIPTION
12 - 1	QH4-4025-000	MOTOR, CARRIAGE DRIVE
2	QB1-0057-000	GUIDE, INK TUBE
3	QB1-0067-000	HOLDER, JOINT
4	QB1-0065-000	TOPPER
5	QB1-0058-000	SHAFT, CARRIAGE
6	QG2-2430-000	CABLE, GROUND
7	NPN	CARRIAGE UNIT
8	NPN	CARRIAGE FRAME UNIT

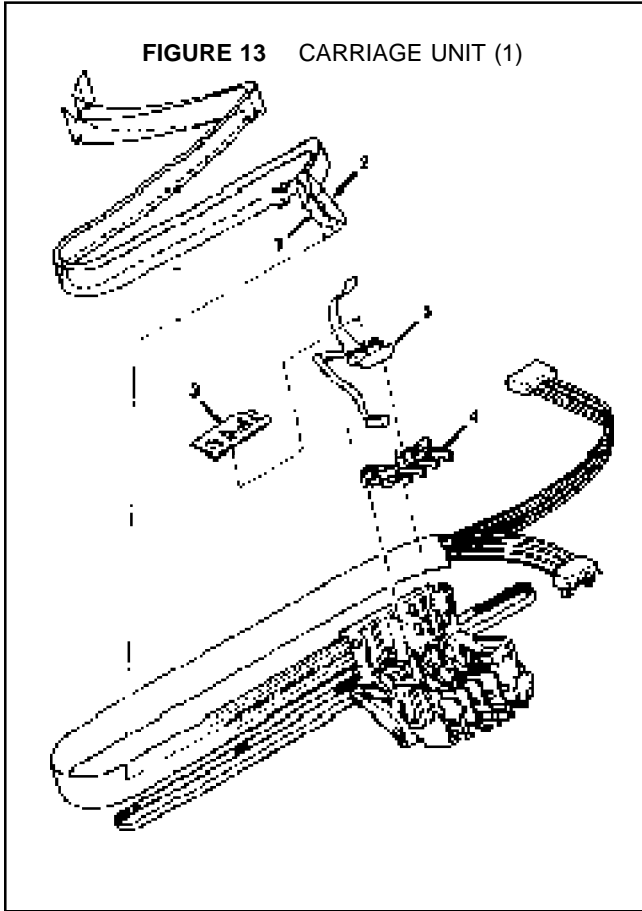


FIGURE 13 CARRIAGE UNIT (1)

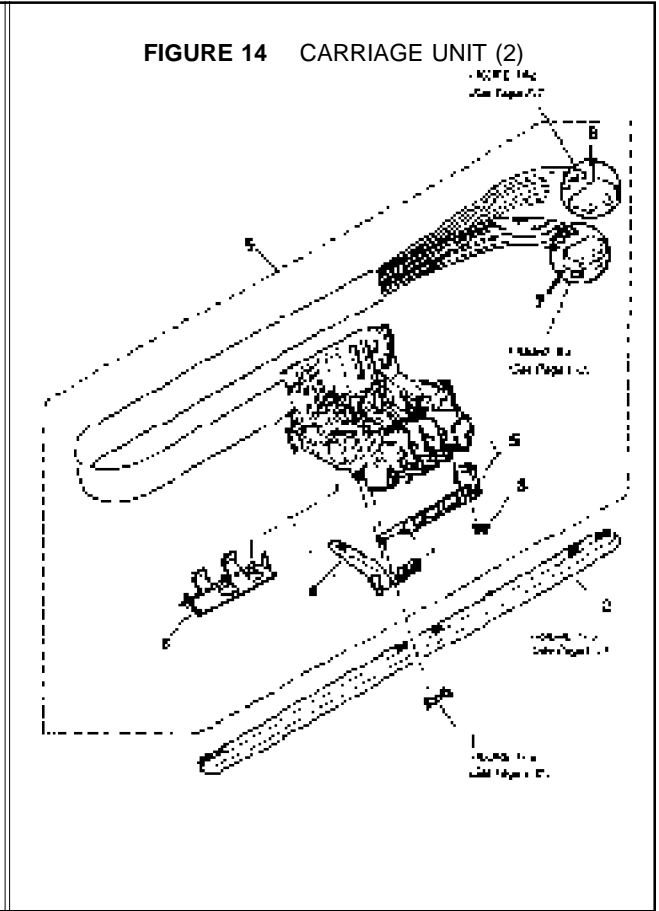


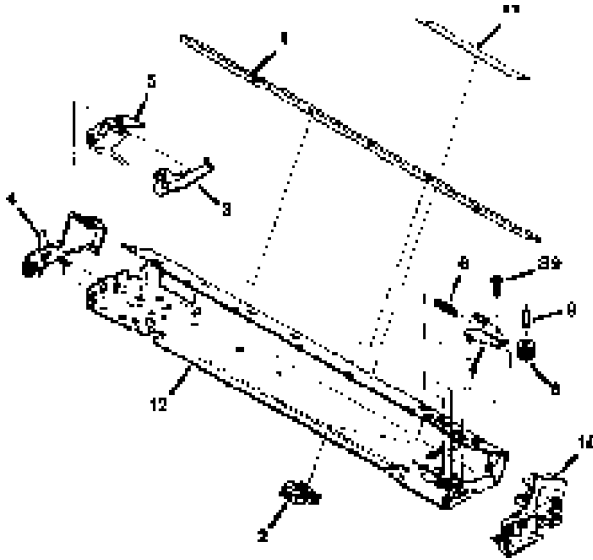
FIGURE 14 CARRIAGE UNIT (2)

NUM.	PART #	DESCRIPTION
13 - 1	QH2-2075-000	CABLE, CARRIAGE, 19PIN
2	QH2-2076-000	CABLE, CARRIAGE, 20PIN
3	QB1-0089-000	COVER, SENSOR
4	QB1-0085-000	HOLDER, ENCODER
5	QG2-2356-000	ENCODER UNIT

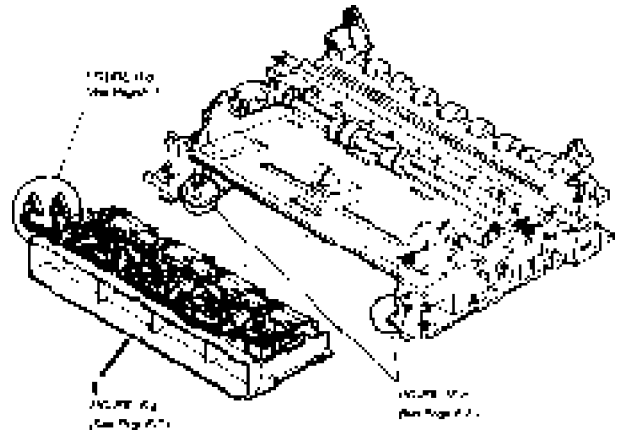
NUM.	PART #	DESCRIPTION
14 - 1	QB1-0084-000	CLAMP, BELT
2	QB1-0053-000	BELT, CARRIAGE
3	QB1-0051-000	STOPPER, HEAD GAP ADJUSTMENT SHAFT
4	QB1-0086-000	LEVER, POSITION
5	QB1-0052-000	SHAFT, HEAD GAP ADJUSTMENT
6	QF5-0005-000	GUIDE, CARRIAGE SHAFT
7	QB1-0073-000	JOINT, PUMP
8	QB1-0075-000	JOINT, SUPPLY (B)
9	OY5-0095-000	CARRIAGE INK SUPPLY UNIT



**FIGURE 15 CARRIAGE FRAME UNIT**



**FIGURE 16 INK COMPARTMENT UNIT**



NUM.	PART #	DESCRIPTION
15-1	QB1-0066-000	GUIDE, CARRIAGE
2	QB1-0090-000	LEVER, CARRIAGE LOCK
3	QB1-0056-000	HOOK, PRINT TIMING SLIT
4	QB1-0060-000	PLATE, FRAME RIGHT
5	QB1-0063-000	SPRING, LEAF
6	QB1-0062-000	SPRING, COIL
7	QB1-0054-000	BRACKET, IDLER ROLLER
8	QF1-5007-000	ROLLER, IDLER
9	QB1-0055-000	PIN, ROLLER
10	QB1-0061-000	PLATE, FRAME LEFT
11	QS5-8011-000	LABEL, CARRIAGE INSTRUCTION
12	QB1-0059-000	FRAME, CARRIAGE

NUM.	PART #	DESCRIPTION
16 - 1	QG5-0014-000	INK COMPARTMENT UNIT

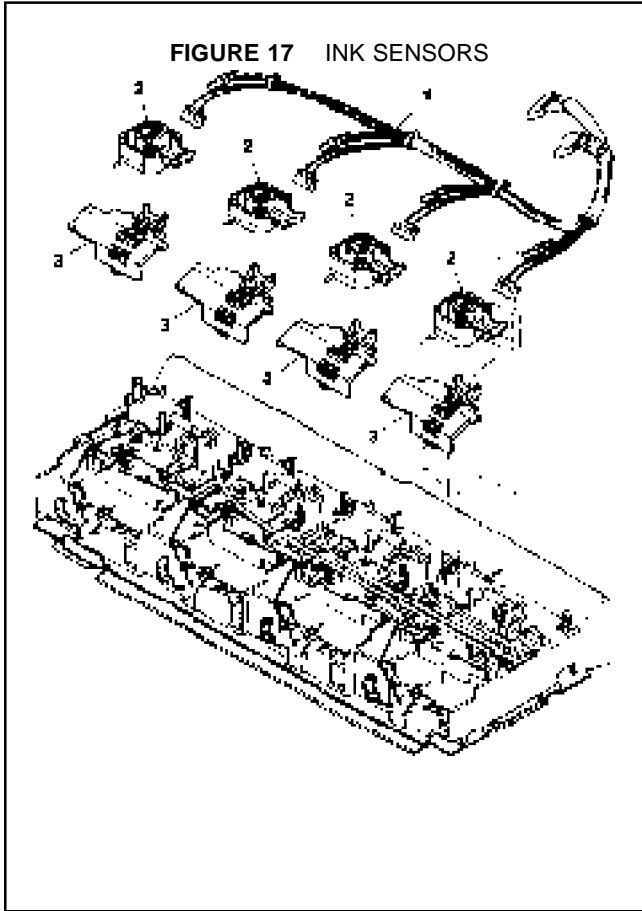


FIGURE 17 INK SENSORS

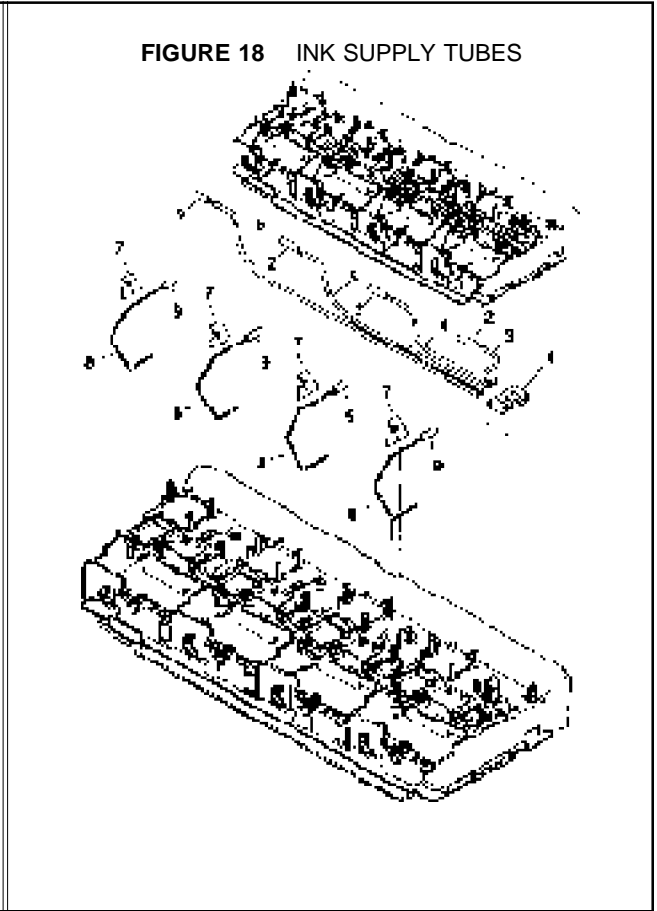
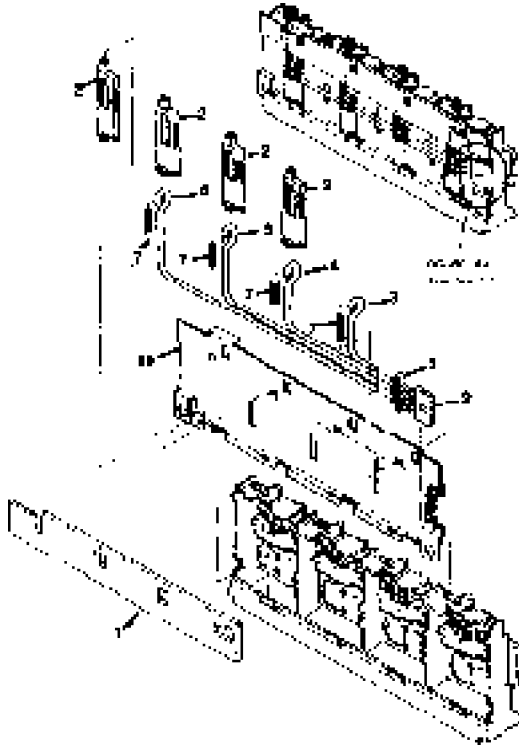


FIGURE 18 INK SUPPLY TUBES

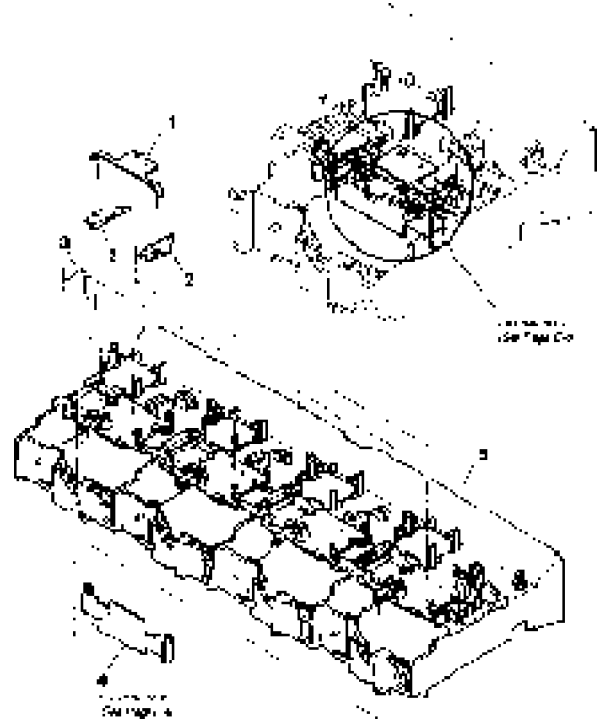
NUM.	PART #	DESCRIPTION
17 - 1	QH8-8402-000	SENSOR CABLE UNIT
2	QH8-8393-000	SENSOR, INK (4)
3	QG5-0016-000	CARTRIDGE SENSOR UNIT (4)

NUM.	PART #	DESCRIPTION
18-1	QB1-0166-000	JOINT, SUPPLY (A)
2	QB1-0150-000	JOINT, RUBBER 16MM (4)
3	QB1-0142-000	TUBE, INK SUPPLY 43MM
4	QB1-0143-000	TUBE, INK SUPPLY 114MM
5	QB1-0144-000	TUBE, INK SUPPLY 189MM
6	QB1-0145-000	TUBE, INK SUPPLY 269MM
7	QB1-0153-000	COVER, INK SUPPLY PIPE (4)
8	QB1-0141-000	PIPE, INK SUPPLY (4)
9	QB1-0163-000	JOINT,RUBBER IOMM (4)

**FIGURE 19 INK DRAIN TUBES**



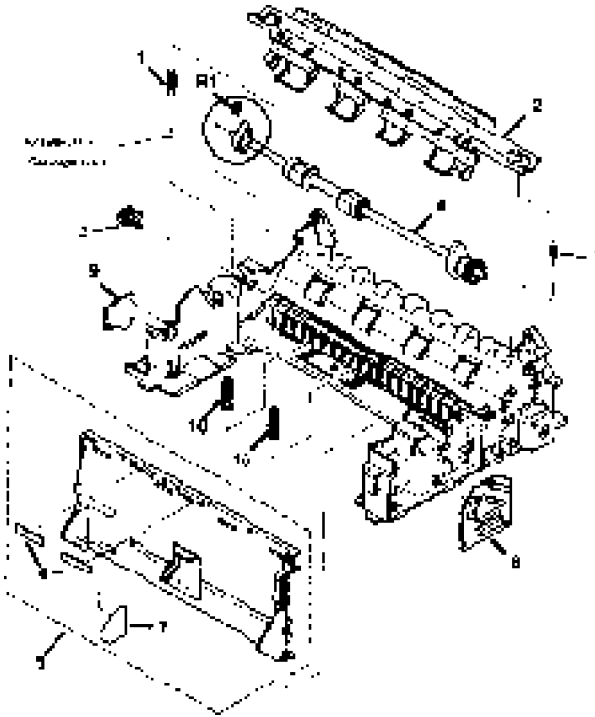
**FIGURE 20 NEEDLE PROTECTORS**



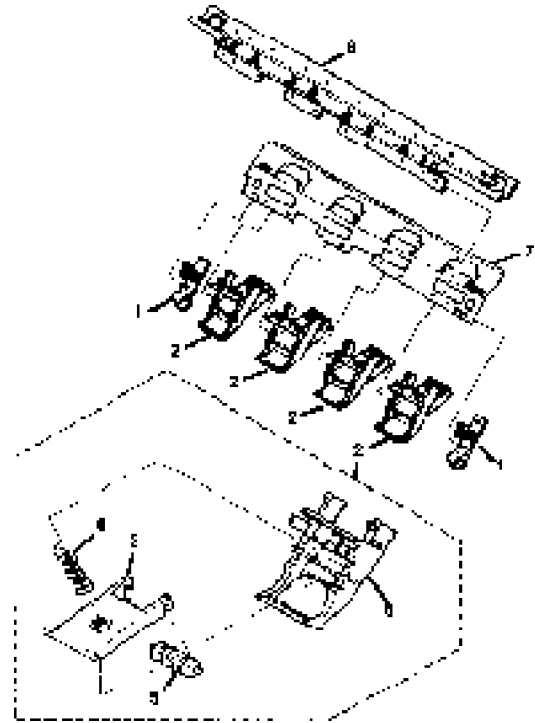
NUM.	PART #	DESCRIPTION
19- 1	QB1-0170-000	ABSORBER, INK
2	QB1-0169-000	HOLDER, DRAIN TUBE (4)
3	QB1-0146-000	TUBE, DRAIN 84MM
4	QB1-0147-000	TUBE, DRAIN 172MM
5	QB1-0148-000	TUBE, DRAIN 256MM
6	QB1-0149-000	TUBE, DRAIN 339MM
7	QB1-0151-000	SPRING, DRAIN TUBE (4)
8	QB1-0168-000	JOINT, DRAIN TUBE
9	QB1-0167-000	JOINT, DRAIN (A)
10	QB1-0152-000	BASE, INK COMPARTMENT

NUM.	PART #	DESCRIPTION
20-1	QB1-0165-000	SPRING, LEAF (4)
2	QB1-0158-000	PLAT, LOCK (8)
3	QB1-0162-000	SPRING (4)
4	QB1-0154-000	PROTECTOR, NEEDLE (4)
5	QB1-0159-000	INK, COMPARTMENT

**FIGURE 21 PAPER LIFTING PLATE**

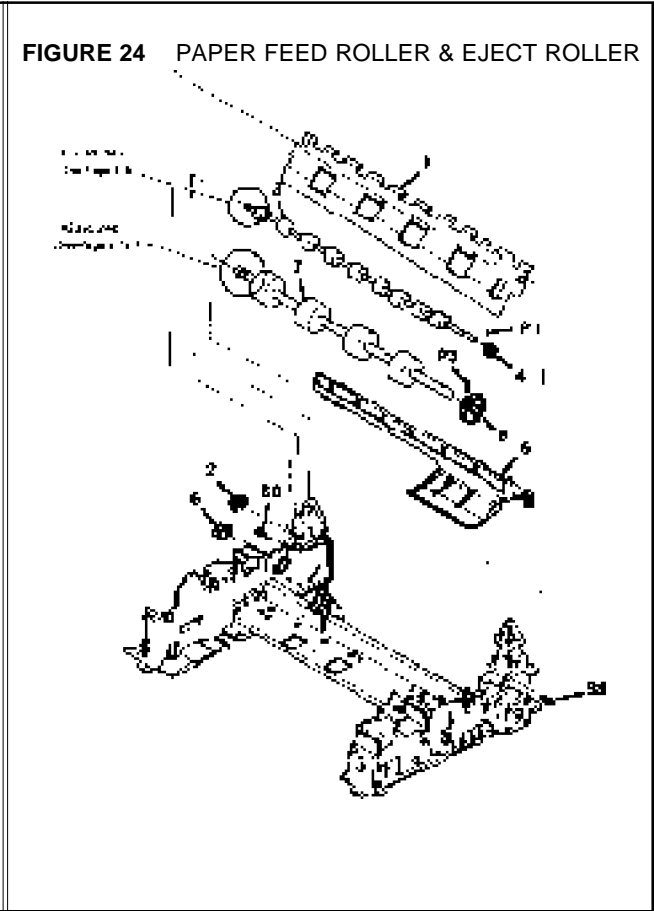
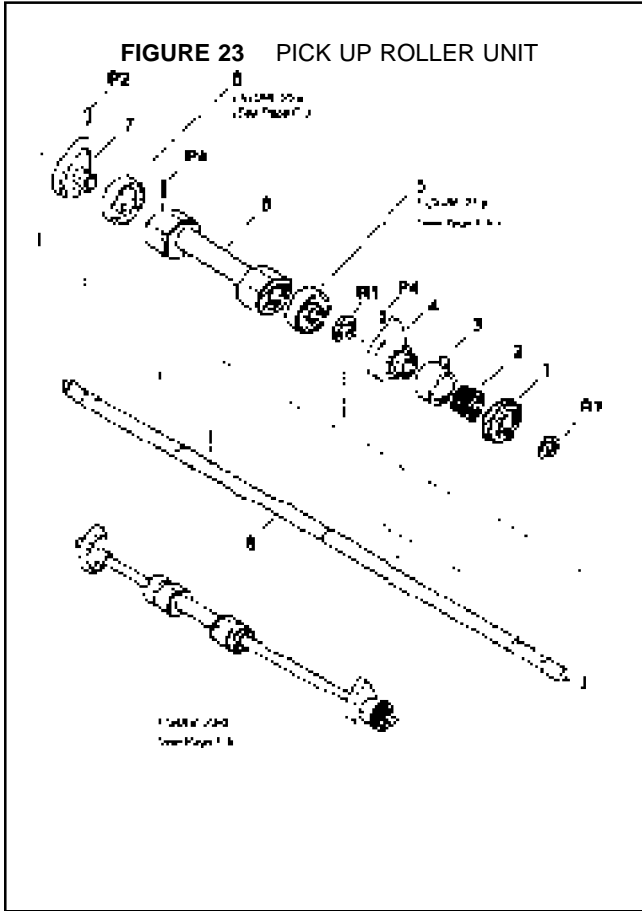


**FIGURE 22 PINCH ROLLER BASE UNIT**



NUM.	PART #	DESCRIPTION
21 - 1	QB1-0040-000	SPRING (2)
2	QG5-0012-000	PINCH ROLLER BASE UNIT
3	QB1-0042-000	HOLDER, SHAFT
4	QG5-0010-000	PICK-UP ROLLER UNIT
5	QG5-0009-000	PLATE, PAPER LIFTING
6	QB1-0037-000	SHEET, SEPARATION (2)
7	QS5-8010-000	LABEL, PAPER SET
8	QG2-2348-000	CARD, CONNECTOR, RIGHT
9	QG2-2349-000	CARD, CONNECTOR, LEFT
10	QB1-0038-000	SPRING, COIL (2)

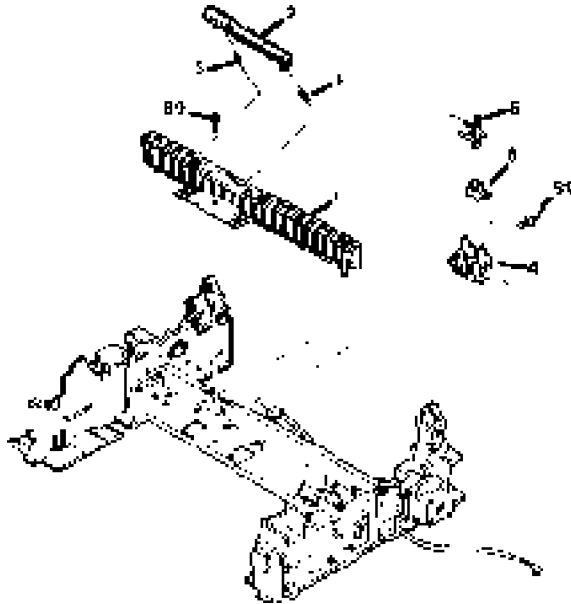
NUM.	PART #	DESCRIPTION
22 - 1	QB1-0032-000	ARM, BASE (2)
2	QG5-0013-000	PINCH ROLLER UNIT (4)
3	QB1-0010-000	ARM, PINCH ROLLER
4	QB1-0039-000	SPRING, COIL
5	QB1-0009-000	ROLLER, PINCH
6	QB1-0011-000	HOLDER, ARM
7	QB1-0013-000	PLATE, PRESSURE
8	QB1-0012-000	BASE, PINCH ROLLER



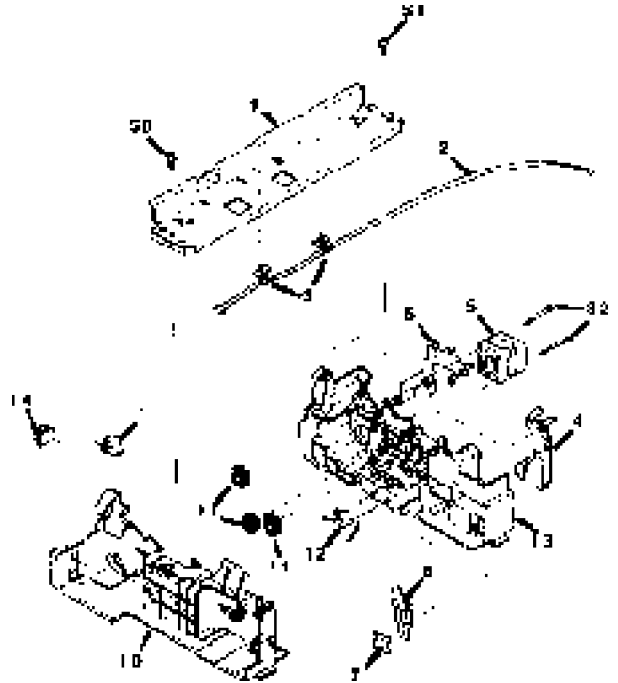
NUM.	PART #	DESCRIPTION
23 - 1	QB1-0023-000	GEAR, PICK UP
2	QB1-0021-000	SPRING, CLUTCH
3	QB1-0022-000	RING, CONTROL
4	QB1-0020-000	CAM, CLUTCH
5	QB1-0018-000	ROLLER, CARD SLIP (2)
6	QB1-0017-000	ROLLER, PICK UP
7	QB1-0024-000	CAM
8	QB1-0019-000	SHAFT, PICK UP ROLLER

NUM.	PART #	DESCRIPTION
24 - 1	QB1-0033-000	PLATEN
2	QB1-0036-000	HOLDER, SHAFT
3	QB1-0014-000	ROLLER, EJECT
4	QB1-0015-000	GEAR, EJECT ROLLER
5	QB1-0214-000	HOLDER, CARD COVER
6	QB1-0035-000	HOLDER, SHAFT
7	QB1-0004-000	ROLLER, PAPER FEED
8	QB1-0005-000	GEAR, PAPER FEED ROLLER

**FIGURE 25 SEPARATION SHEET UNIT**



**FIGURE 26 PRINTER FRAME**



NUM.	PART #	DESCRIPTION
25 - 1	QB1-0026-000	BASE, SEPARATION SHEET
2	QF5-0006-000	SEPARATION SHEET UNIT
3	QB1-0041-000	SPRING, COIL (2)
4	QB1-0008-000	HOLDER, PAPER SENSOR
5	QB1-0007-000	ARM, PAPER SENSOR
6	WG8-5036-000	PHOTO COUPLER

NUM.	PART #	DESCRIPTION
26 - 1	QB1-0112-000	STOPPER, CAP
2	QG2-2355-000	CABLE, PAPER SENSOR
3	WT2-0433-000	CLAMP, CABLE (2)
4	QB1-0045-000	PLATE, GROUND
5	QH4-4026-000	MOTOR, PAPER FEED
6	QB1-0044-000	PLATE, GROUND
7	QB1-0031-000	PLATE, PRESS
8	QB1-0030-000	SPRING, PRATE
9	QB1-0003-000	FRAME, CENTER
10	QB1-0002-000	FRAME, LEFT
11	QB1-0016-000	GEAR, TRANSMISSION (3)
12	QB1-0046-000	PLATE, GROUND
13	QB1-0001-000	FRAME, RIGHT
14	VT2-0010-007	CLAMP, CABLE

## Free Manuals Download Website

<http://myh66.com>

<http://usermanuals.us>

<http://www.somanuals.com>

<http://www.4manuals.cc>

<http://www.manual-lib.com>

<http://www.404manual.com>

<http://www.luxmanual.com>

<http://aubethermostatmanual.com>

Golf course search by state

<http://golfingnear.com>

Email search by domain

<http://emailbydomain.com>

Auto manuals search

<http://auto.somanuals.com>

TV manuals search

<http://tv.somanuals.com>