

# Mount Adapter EF-EOS M Instructions

## Nomenclature



- ① Lens release lever
- ② EF-S Lens mount index
- ③ EF Lens mount index
- ④ Camera lens mount index
- ⑤ Contacts (camera side)
- ⑥ Contacts (lens side)
- ⑦ Tripod mount socket
- ⑧ Tripod mount screw
- ⑨ Tripod mount knob
- ⑩ Tripod socket
- ⑪ Certification/Regulatory Logos

## Thank you for purchasing a Canon product.

The Canon Lens Mount Adapter EF-EOS M is designed to allow EF series lenses\*1 to be used with EOS M series cameras. Before using this adapter, please make sure that the camera and the lens is compatible.

\*1 Does not include EF-M lenses or CN-E lenses (EF Cinema lenses).

## Conventions used in this instruction

-  Warning to prevent lens or camera malfunction or damage.
-  Supplementary notes on using the adapter and taking pictures.

This device complies with Part 15 of the FCC Rules. Operation is subject to the following two conditions: (1) This device may not cause harmful interference, and (2) this device must accept any interference received, including interference that may cause undesired operation. Do not make any changes or modifications to the equipment unless otherwise specified in the instructions. If such changes or modifications should be made, you could be required to stop operation of the equipment.

This equipment has been tested and found to comply with the limits for a class B digital device, pursuant to part 15 of the FCC Rules. These limits are designed to provide reasonable protection against harmful interference in a residential installation. This equipment generates, uses and can radiate radio frequency energy and, if not installed and used in accordance with the instructions, may cause harmful interference to radio communications.

However, there is no guarantee that interference will not occur in a particular installation. If this equipment does cause harmful interference to radio or television reception, which can be determined by turning the equipment off and on, the user is encouraged to try to correct the interference by one or more of the following measures:

- Reorient or relocate the receiving antenna.
- Increase the separation between the equipment and receiver.
- Consult the dealer or an experienced radio/TV technician for help.

This Class B digital apparatus complies with Canadian ICES-003.

## 1. Precautions when using this adapter

- Attaching this adapter to a lens does not affect lens performance.
- Use the switches on the lens to set lens functions. In the event that the settings found in the camera's menu differ from those found on the lens, priority is given to the settings found on the lens.
- When using a lens that is heavier than the camera, be sure to hold the lens while carrying the camera and while shooting.
- Since a lens' minimum focusing distance is lengthened when this adapter is attached, maximum magnification and field of view might change.

## 2. Mounting and Detaching the Adapter

### Mounting Procedures

#### 1. Attach the EF lens to the EF mount side of the adapter.

- Insert the lens into the adapter by aligning the mount index found on the EF lens (red circle) with the same mark found on the adapter, and turn the EF lens clockwise until you hear a click. (fig. ①)
- When attaching an EF-S lens to the adapter, insert the lens into the adapter by aligning the EF-S mount index marks (white squares) and turn the lens clockwise. (fig. ①)

#### 2. Mount the adapter to the camera.

- Insert the adapter into the camera by aligning the EF-M lens mount index found on the adapter (white circle) with the same mark found on the camera, and turn the adapter counter clockwise until you hear a click. (fig. ②)

### Detaching Procedures

#### 1. Turn the camera OFF, and detach the adapter from the camera while the EF lens is still attached to it.

- Turn the adapter counter clockwise while pressing the camera's lens release button. (fig. ③)
- Detach the adapter once it has stopped turning.

#### 2. Detach the EF lens from the adapter.

- Turn the EF lens counter clockwise while pushing the lens release lever found on the adapter. (fig. ④)
- Detach the EF lens once it has stopped turning.

## 3. Precautions when using this adapter with a tripod

- When shooting with a tripod, do not use the camera's tripod mount socket while the adapter is attached. Be sure to use the dedicated tripod mount\*2 with the adapter.

### Attaching the tripod mount\*2

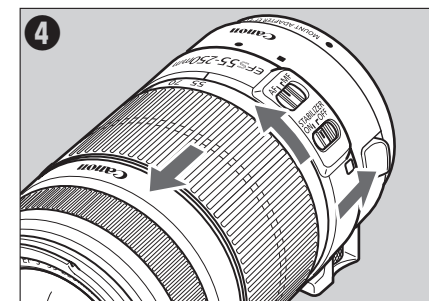
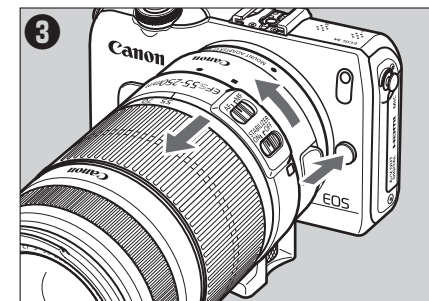
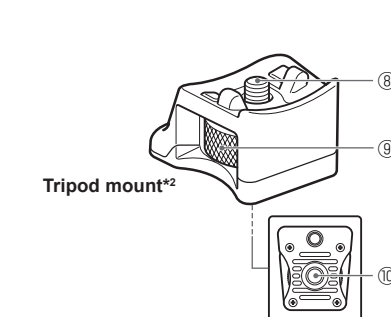
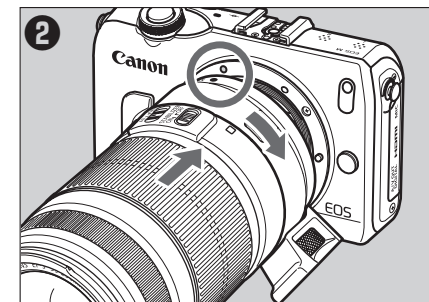
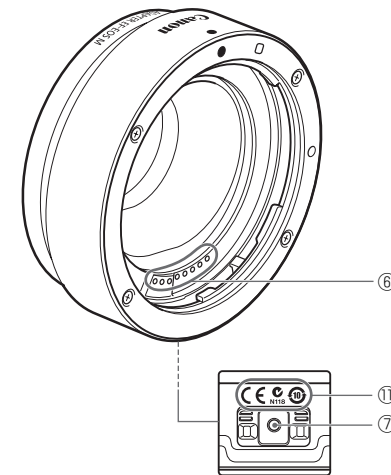
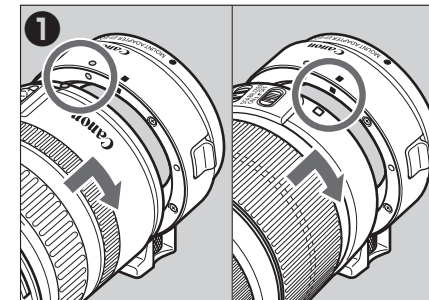
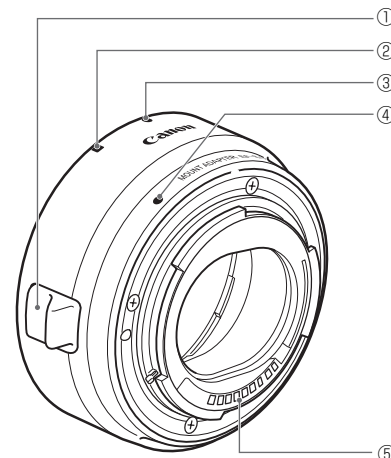
#### 1. Attach the dedicated tripod mount to the adapter by firmly turning the tripod mount knob.

- Please make sure that the tripod mount is facing in the correct direction in relation to the adapter.

#### 2. Attach the tripod using the tripod mount socket.

- Securely attach the tripod while firmly holding the adapter.
- \*2 There are some adapters (used as promotional items) which do not include a tripod mount. Tripod mounts can be purchased separately from a Canon Service Center.

- When using a tripod with EF lenses that are equipped with a tripod mount, such as super telephoto lenses, please be sure to use it to mount the lens to the tripod.





- Please refer to your tripod's instructions for information on mounting and detaching components.
- The certification/regulatory logos for this adapter can be checked by removing the tripod mount.

### Specifications

**Compatible lenses:** EF series lenses

(Does not include EF-M lenses or CN-E lenses)

**Compatible cameras:** EOS M series cameras

**Mounts:** Front mount: Canon EF mount compliant

Rear mount: Canon EF-M mount compliant

**Tripod Socket:** CU1/4 x 1

**Max. Diameter and Length:** 66.6 x 26 mm / 2.6 x 1 in.

**Weight:** Approx. 110 g / 3.9 oz.

**Front Cap:** Camera Cover R-F-3

**Rear Cap:** Lens Dust Cap EB

**Lens Case:** LP811 (sold separately)

- The size and weight listed are for the adapter only.
- All data listed is measured according to Canon standards.
- Product specifications and appearance are subject to change without notice.



## Free Manuals Download Website

<http://myh66.com>

<http://usermanuals.us>

<http://www.somanuals.com>

<http://www.4manuals.cc>

<http://www.manual-lib.com>

<http://www.404manual.com>

<http://www.luxmanual.com>

<http://aubethermostatmanual.com>

Golf course search by state

<http://golfingnear.com>

Email search by domain

<http://emailbydomain.com>

Auto manuals search

<http://auto.somanuals.com>

TV manuals search

<http://tv.somanuals.com>