

# Canon

## SET-UP INSTRUCTIONS

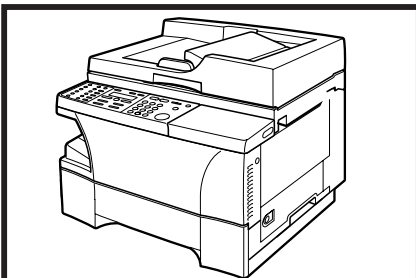
# imageCLASS D700 Series

FOR INSTALLATION HELP AND OPERATIONAL  
INSTRUCTIONS, CALL:

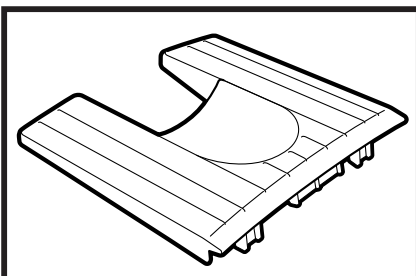
**1-800-828-4040**  
U.S.A. CUSTOMERS

**1-800 OK CANON**  
CANADA CUSTOMERS

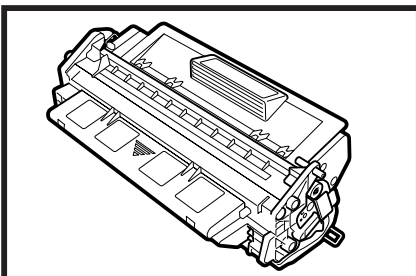
## 1 UNPACK MACHINE



Machine



Output Tray



L50 S-Cartridge

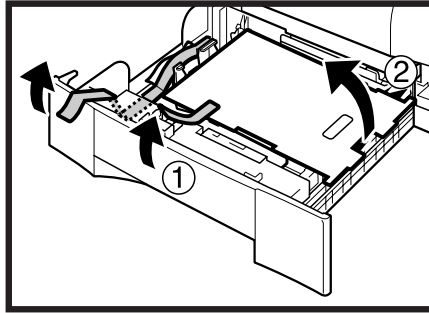
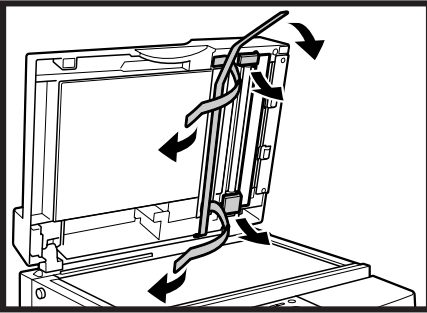
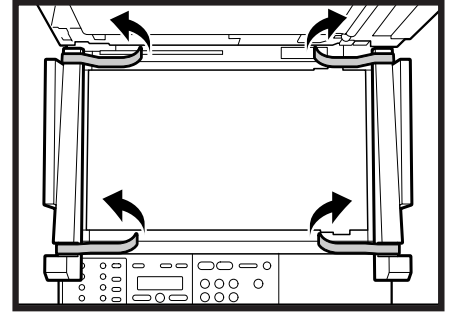
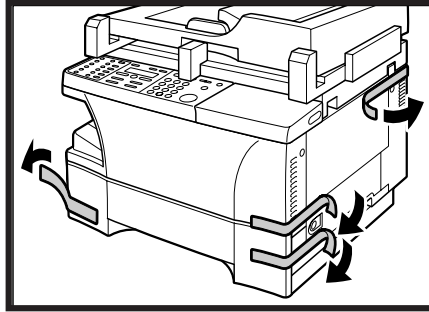
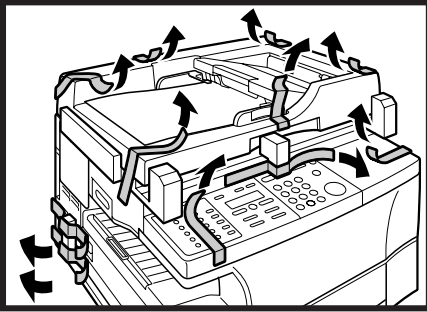
### **REMOVE ALL ITEMS FROM THE BOX**

- POWER CORD
- TELEPHONE LINE\*
- DOCUMENTATION  
(Set-up Instructions, Reference Guide, Fax Guide\*,  
Limited Warranty Card, Registration Card\*\*)
- DESTINATION LABEL\*
- CD-ROM

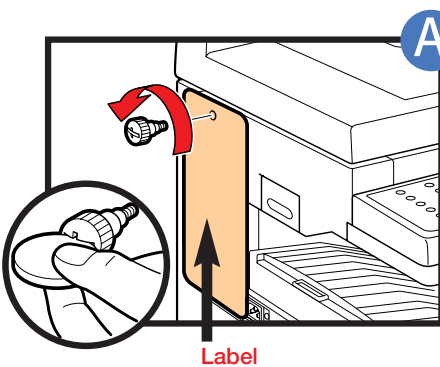
\* D780 Model

\*\* U.S.A. only

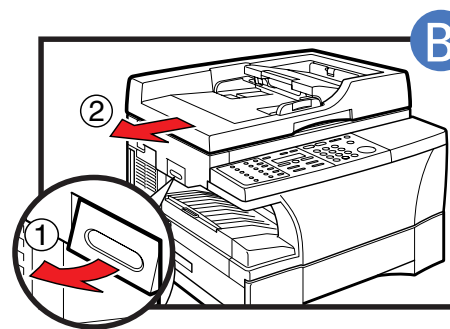
# REMOVE ALL SHIPPING MATERIALS



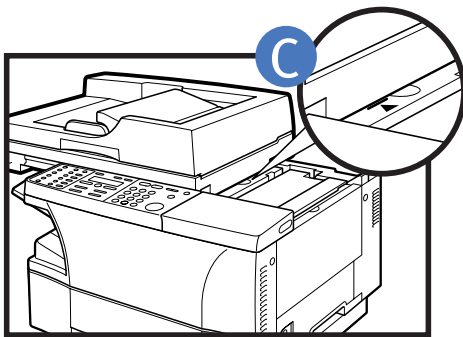
*The actual shape, quantity, and/or location of the tape and shipping material may differ.*



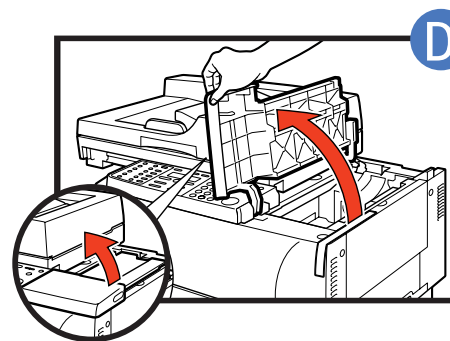
**A** Remove the shipping attachment on the left side using a coin.  
*Otherwise the scanning unit of the machine is locked and you cannot make copies or send faxes.*



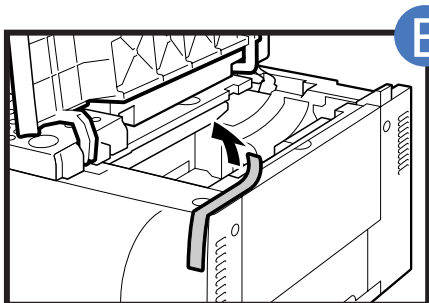
**B** Lift the platen unit lever (1) and slide the platen unit to the left (2).



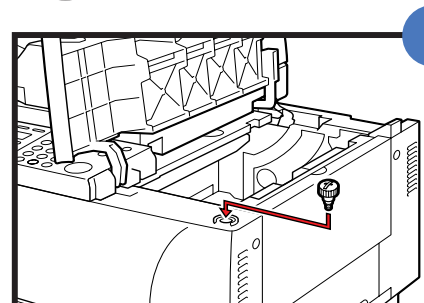
**C** Slide left until the mark appears.



**D** Open the cartridge cover.



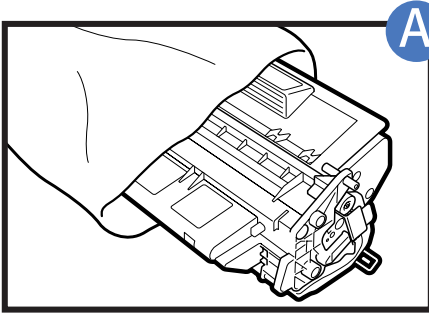
**E** Remove the shipping material.



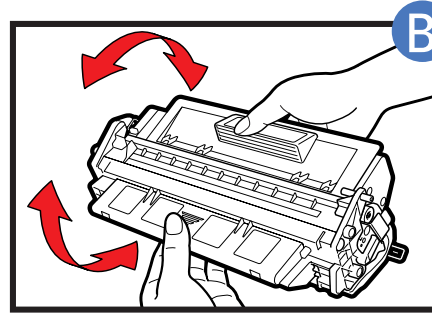
**F** Insert the removed shipping attachment from STEP A into the holder. Keeping the cartridge cover open, go to section 2 - INSTALL CARTRIDGE.

*Keep the shipping attachment in the holder in case you need to transport the machine.*

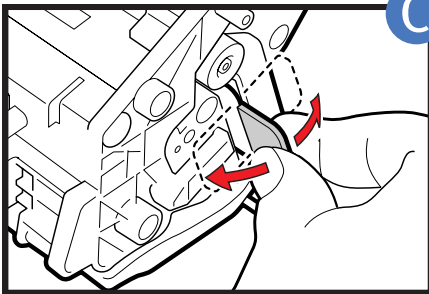
## 2 INSTALL CARTRIDGE



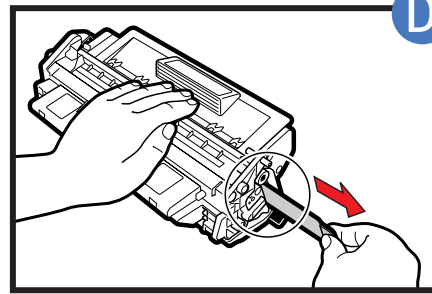
**A** Remove the cartridge from its bag.



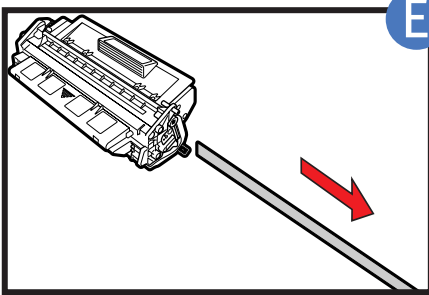
**B** Rock the cartridge 5 or 6 times to distribute the toner evenly.



**C** Place the cartridge on a flat and stable surface, grip the sealing tape tab and snap in the direction shown. Make sure that the tab is detached from the cartridge.



**D** Grasp the cartridge with one hand, firmly and slowly pull out the sealing tape tab with the other hand.



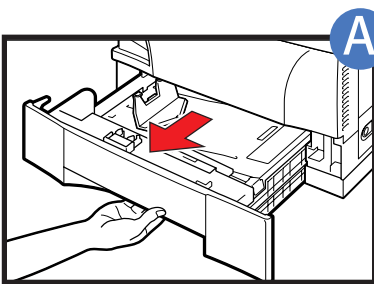
**E** Remove the sealing tape completely.



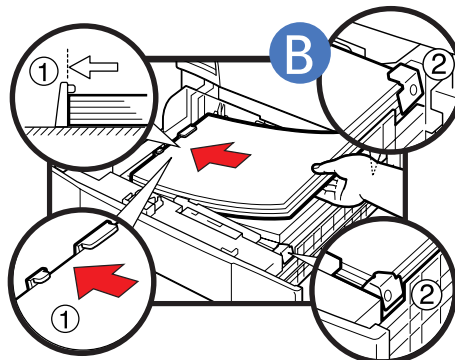
**F** Position the arrow mark on the cartridge towards the inside of the machine, and gently slide the cartridge into the machine as far as it will go.

Close the cartridge cover and slide the platen unit back to the original position.

## 3 LOAD PAPER / ATTACH OUTPUT TRAY



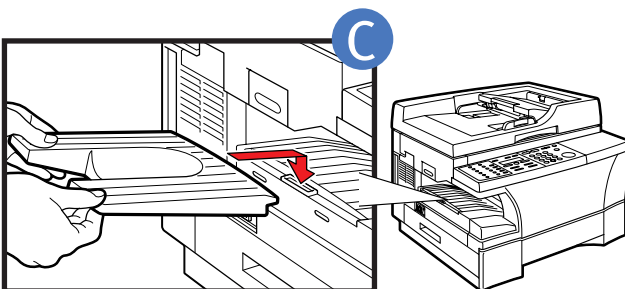
**A** Grip the cassette handle, and pull it out towards you until the cassette comes to a stop.



Load the paper stack beneath the cassette's length guide **(1)** and width guide's claws **(2)**.

*Make sure that the paper stack does not exceed the length and width guide's claws in the cassette. Failure to do so will cause a paper jam.*

Gently insert the cassette as far as it will go.



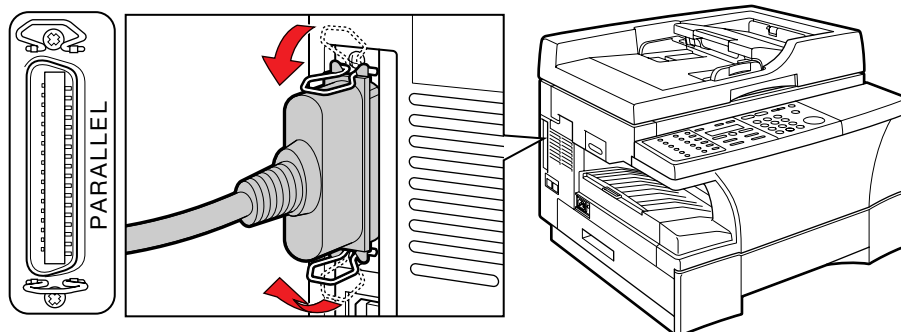
Hook the tab on the output tray onto the opening on the left side of the machine.

# 4 CONNECTIONS

## CONNECTING USING PARALLEL CABLE

Make sure the computer is turned off.

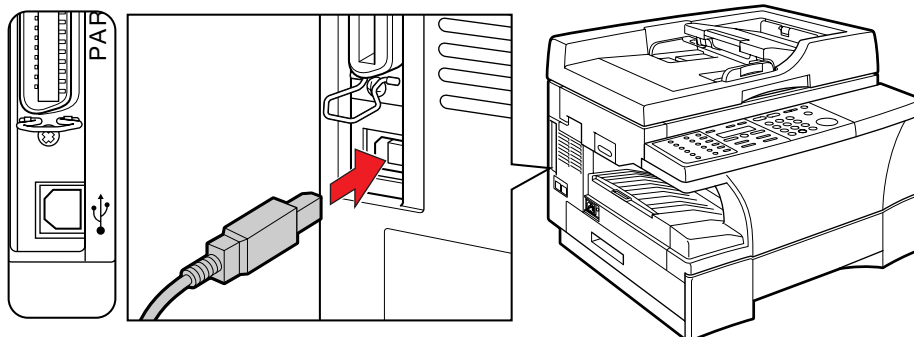
Parallel interface connection



Connect to your computer using a parallel cable.

## or CONNECTING USING USB CABLE

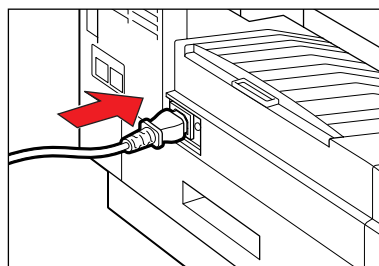
USB interface connection.



Connect to your computer using a USB cable.

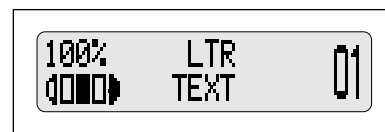
## CONNECTING THE POWER CORD

When the power cord is plugged into both the machine and into a power outlet, the machine will automatically turn on. The LCD displays PLEASE WAIT. Please wait until the LCD returns to the Copy Mode standby display.



Connect the supplied power cord to the power cord connector on the left side of the machine.  
Then connect the other end into a properly grounded Standard 120V three-prong outlet.

Copy Mode standby display



# 5 SET FAX RECEIVE MODE (D780)

**A** Press **FAX** to switch the machine to Fax Mode.

**B** Press **RECEIVE MODE** until the mode you want appears:

ex. RECEIVE MODE  
Manual

**C** **YOU CAN SELECT FROM THE FOLLOWING MODES:**

**FAX ONLY:** if you use your machine to receive only faxes.

**DRPD:** to distinguish between fax and voice calls by using Distinctive Ring Patterns.

**MANUAL:** you can receive faxes by pressing START before hanging up the handset on the telephone.

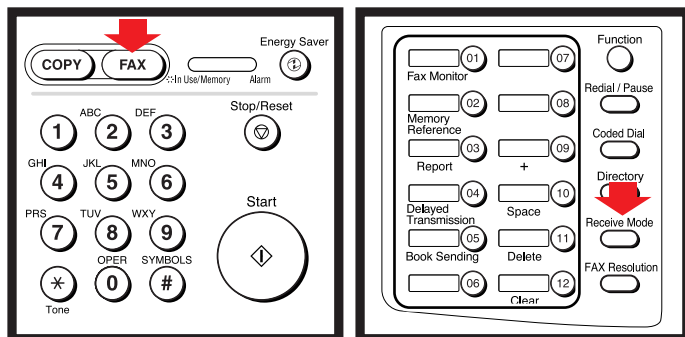
**AnsMode:** if you want to receive faxes automatically and route voice calls to an answering machine.

**FaxTel:** when a telephone is connected to the machine, the machine automatically switches between faxes and voice calls.

ex. FAX 06/20/2003 17:08  
Manual STANDARD

**D** Press **SET**.  
The selected receive mode is set and the machine returns to standby mode. The current date and the selected receive mode are displayed.

- The machine does not ring when it receives a fax in FaxOnly. If you want to be alerted when a fax is received, connect a telephone to the machine, and enable the INCOMING RING setting. (---> Fax Guide).
- For AnsMode, you need to connect an answering machine or a telephone with an answering machine to your machine (see below).
- Follow these guidelines when using the machine with an answering machine:
  - Set the answering machine to answer on the first or second ring.
  - When recording the outgoing message on the answering machine, the entire message must be no longer than 15 seconds.



## CONNECTING THE TELEPHONE LINE AND AN EXTERNAL DEVICE (ONLY FOR THE D780 MODEL)

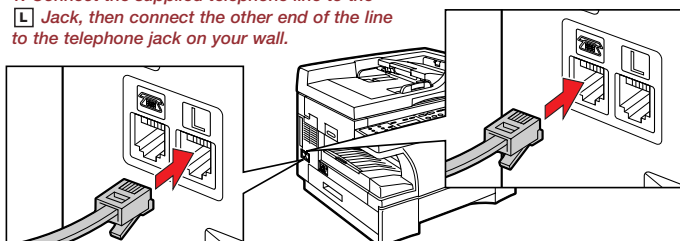
The machine has two jacks on the left side for the following connections:

**L** : Telephone Line

: External device, such as telephone or answering machine.

1. Connect the supplied telephone line to the **L** Jack, then connect the other end of the line to the telephone jack on your wall.

2. When you require to send and receive both faxes and voice calls, connect the line from the telephone or answering machine to the Jack.



## CONNECT EXTERNAL DEVICES AS FOLLOWS:

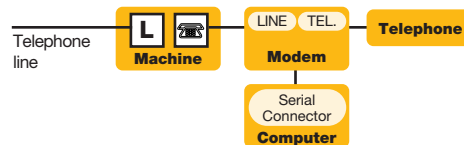
### • Telephone or answering machine



### • Telephone and answering machine



### • Telephone and modem (external modem)



### • Built-in computer modem and telephone



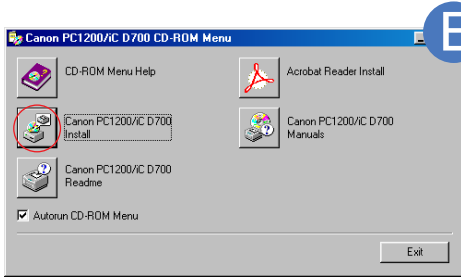
**L** : Telephone line jack  
 : External device jack

# 6 INSTALL PRINTER DRIVER (CAPT)

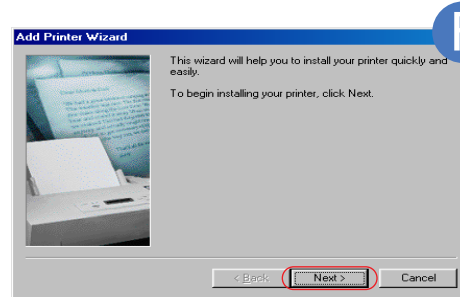
## PARALLEL CABLE

## Windows 95 / 98 / Me

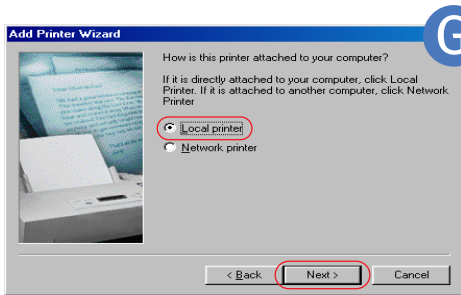
- A** Make sure the computer is turned off.
- B** Make sure the machine's power cord is plugged into a power outlet and the machine is connected to your computer using a parallel cable (cable not included).
- C** Turn on the computer. Start up Windows. PLUG and PLAY will activate and the FOUND NEW HARDWARE WIZARD (In Windows 95, New Hardware or Device Wizard) dialog box appears. Click CANCEL.
- D** Set the CD-ROM into the CD-ROM drive of your computer.



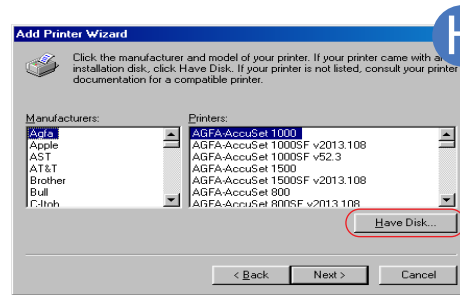
**E** Click Canon PC1200/iC D700 INSTALL button. ADD PRINTER WIZARD dialog box appears.



**F** Click NEXT. Add Printer Wizard dialog box (Local printer/ Network printer) selection appears.



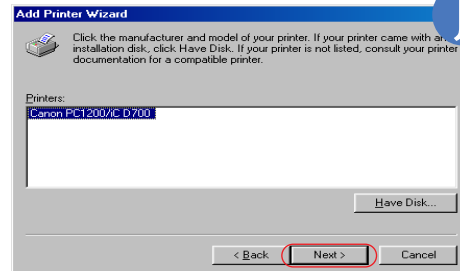
**G** Select LOCAL PRINTER, then click NEXT. Add Printer Wizard dialog box (Manufacturers/printers) selection appears.



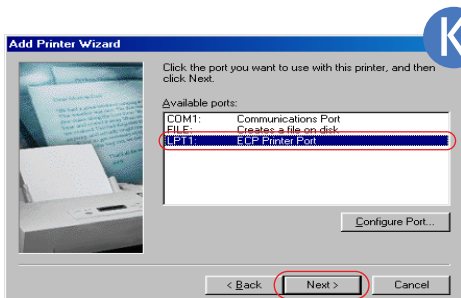
**H** Click HAVE DISK... in the MANUFACTURERS/PRINTERS dialog box. THE INSTALL FROM DISK dialog box appears.



**I** Use BROWSE... to select the directory that contains the CAPT. For example, if you are using the CD-ROM to install the CAPT on Windows 95/98, and your CD-ROM drive is drive D:, browse to D:\English\Win9x, and click OK.

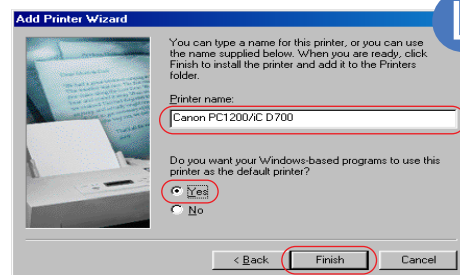


**J** Driver file selection dialog appears. Click NEXT. Printer port selection dialog box appears.



**K** Select the printer port, the machine is connected to (usually LPT1:), then click NEXT. Add Printer Wizard dialog box (Printer name) appears.

If you select a port, other than the port D700 is connected to, COM: or FILE: port, the machine will not print.



**L** Click FINISH. If you wish to change printer name, type a new name into the text box. \*If you want to set this printer as the default printer, select YES.



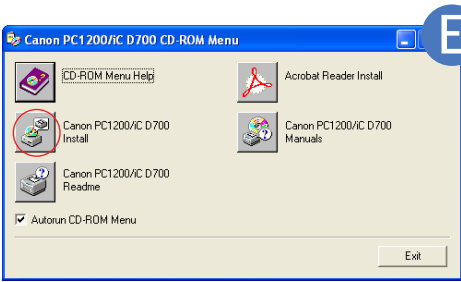
**M** When the installation is complete, the following dialog box appears. To close the dialog box, click OK.

\*If there already are other printer drivers installed on your computer, this option may not be displayed.

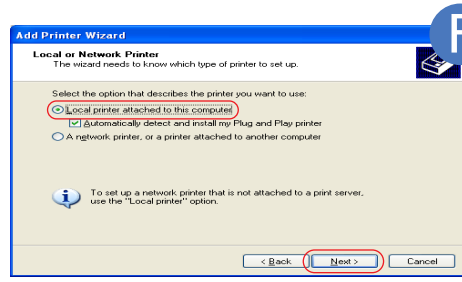
# PARALLEL CABLE

# Windows XP

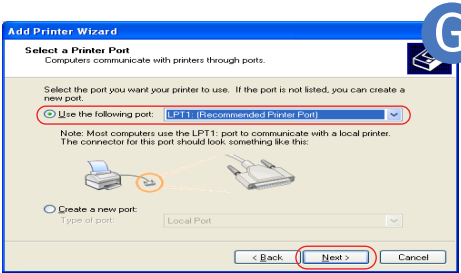
- A** Make sure the computer is turned off.
- B** Make sure the power cord of the machine is plugged into the power outlet and the machine is connected to your computer using parallel cable.
- C** Turn on the computer. Start up Windows XP. PLUG and PLAY will activate and the FOUND NEW HARDWARE WIZARD dialog box appears. Click CANCEL. For installations, using PLUG and PLAY function of your computer, -----> Printer Guide.
- D** Set the CD-ROM into the CD-ROM drive of your computer.



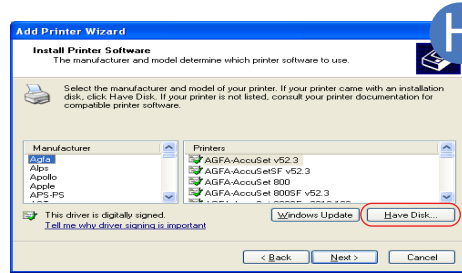
- E** Click Canon PC1200/iC D700 INSTALL button. ADD PRINTER WIZARD dialog box appears. Click NEXT.



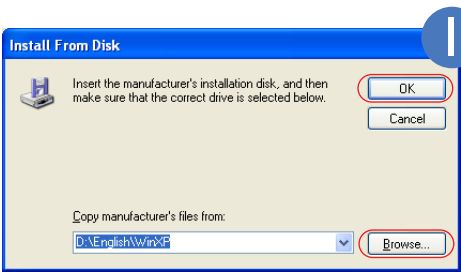
- F** Select LOCAL PRINTER ATTACHED TO THIS COMPUTER, then click NEXT. Printer port selection dialog box appears. AUTOMATICALLY DETECT AND INSTALL MY PLUG AND PLAY PRINTER is not recommended.



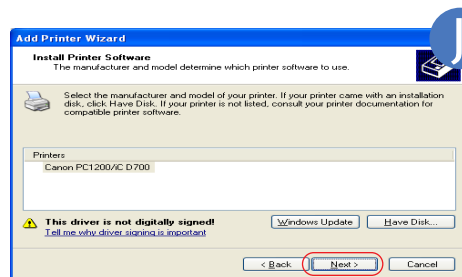
- G** Check on the use following port: Select the printer port, the machine is connected to (usually LPT1: Recommended printer port), then click NEXT. Add Printer Wizard dialog box (Manufacturers/ Printers selection) appears.



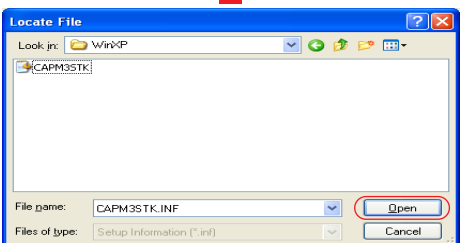
- H** Click HAVE DISK... in the MANUFACTURERS/ PRINTERS dialog box. THE INSTALL FROM DISK dialog box appears.



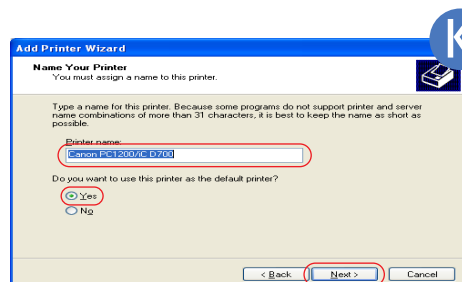
- I** Use BROWSE... to select the directory that contains the CAPT.



- J** Driver file selection dialog appears. Click NEXT. Add Printer Wizard dialog box (Printer name) appears.

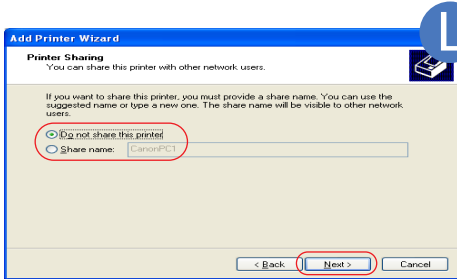


- For example, if your CD-ROM drive is drive D:, browse to D:/English/WinXP, click OPEN. Make sure the folder is selected in the COPY MANUFACTURER'S FILES FROM box, then click OK.



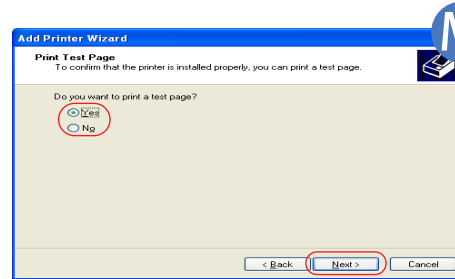
- K** Click NEXT. If you wish to change printer name, type a new name into the text box. \*If you want to set this printer as the default printer, select YES.

\*If there already are other printer drivers installed on your computer, this option may not be displayed.



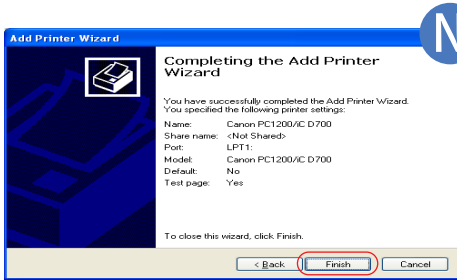
\*If this printer is shared with other computers, check on SHARED option. Click NEXT.

You can also modify this setting after installation, using Sharing tab from the Printer Properties.



Click NEXT.

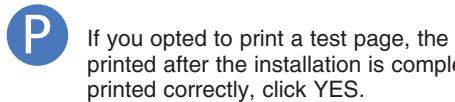
Click YES if you want to print a test page, or NO if you do not want to print a test page.



Click FINISH.



When installation is complete, the following dialog box appears. Click OK.



If you opted to print a test page, the test page will be printed after the installation is complete. If the test page printed correctly, click YES.

\*Depending on your computer settings, this option may not be displayed.

**NOTE: For Windows 2000/NT 4.0 - see Printer Guide on CD-ROM**

## USB CABLE — Windows 98 / Me / 2000 / XP

### **INSTALLING FROM CD-ROM MENU (Windows 98 / Me)**

- 1) Make sure the computer is turned off.
- 2) Make sure the power cord of the machine is plugged into the power outlet and the machine is connected to your computer (cable not included).
- 3) Turn on the computer and ADD NEW HARDWARE WIZARD dialog box appears. Follow the instructions on screen to activate PLUG and PLAY installation. When you are asked to select the directory that contains the CAPT, browse to D:\English\Win9x or D:\English\WinME, if your CD-ROM drive is drive D. For installation instructions using PLUG and PLAY for USB Port, ----> Printer Guide.

### **INSTALLING FROM CD-ROM MENU (Windows 2000 / XP)**

- 1) Make sure the computer is turned off.
- 2) Make sure the power cord of the machine is plugged into the power outlet and the machine is connected to your computer, then turn the computer on.
- 3) As the USB class driver is automatically detected, perform the same steps as described for "PARALLEL CABLE (Windows XP)" of "INSTALL PRINTER DRIVER". When you are asked to select the printer port, select either USBPRNXX or USBXXX (XX or XXX represents a set of numbers).

For installation instructions using PLUG and PLAY or ADD PRINTER WIZARD for USB Port, ----> Printer Guide.



## Free Manuals Download Website

<http://myh66.com>

<http://usermanuals.us>

<http://www.somanuals.com>

<http://www.4manuals.cc>

<http://www.manual-lib.com>

<http://www.404manual.com>

<http://www.luxmanual.com>

<http://aubethermostatmanual.com>

Golf course search by state

<http://golfingnear.com>

Email search by domain

<http://emailbydomain.com>

Auto manuals search

<http://auto.somanuals.com>

TV manuals search

<http://tv.somanuals.com>