

Setup Guide

Read this manual before attempting to operate the printer.  
Keep this manual in a handy location for future reference.

Introduction

Overview of Setup

These are the steps in printer installation.

**Preparations (P.2)**

**Install the Ink Tanks (P.2)**

**Install the Printhead (P.3)**

**Load Paper to Adjust the Printhead (P.4)**

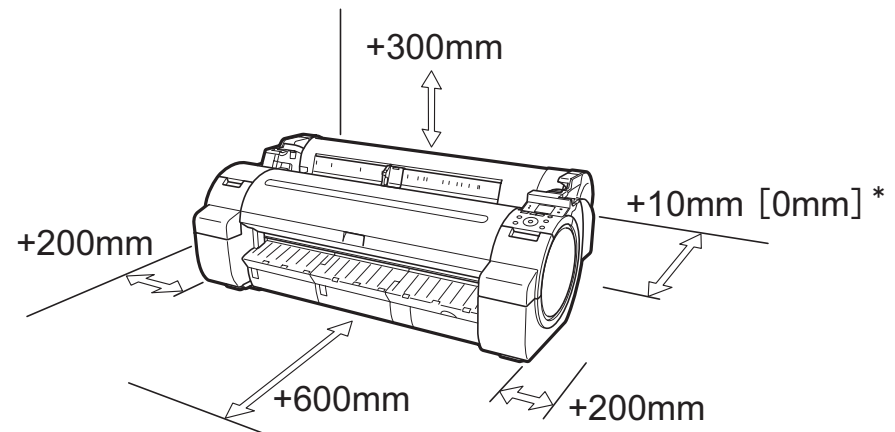
**Install the Printer Driver and the User Manual (P.6)**

**Store Accessories in the Pockets (P.12)**

**Important** • Even if you do not use the printer driver, be sure to install **Media Configuration Tool** from the provided **User Software CD-ROM**. With **Media Configuration Tool**, the paper types that are available in your area can be registered to the printer. For instructions on installation, refer to "Install the Printer Driver and the User Manual" on page 6. (In Windows, select **Install Individual Software** in the **Setup Menu** window to install **Media Configuration Tool** only.)

Details for each step are given in this **Setup Guide**. Simply follow the instructions to install the printer.  
If an error message is displayed during setup or other problems occur, refer to "Responding to Messages" on page 12.

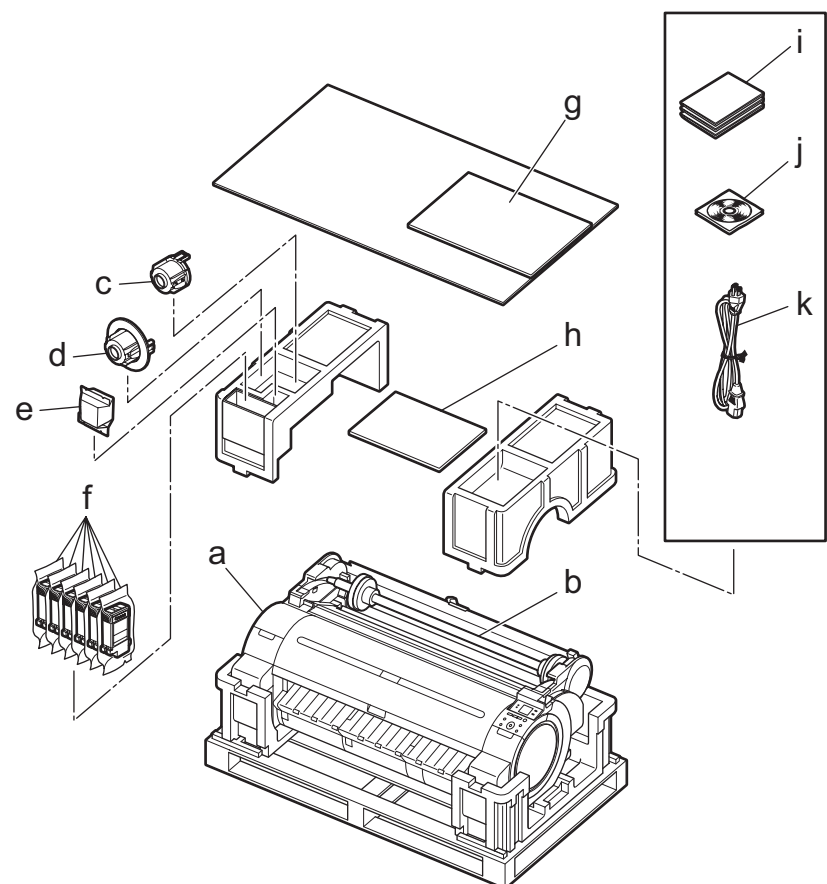
Space Required for Installation



\*Values enclosed in [ ] are for when the stand is attached.

iPF760/iPF765	Installation space (W x D x H mm)
Printer and stand	1704 x 1700 x 1362

Package Contents



- a. Printer
- b. Roll holder: Already attached to printer
- c. 3-inch paper core attachment R
- d. 3-inch paper core attachment L
- e. Printhead
- f. Starter ink tanks: Bk, MBk (x 2), C, M, Y
- g. Sample paper
- h. Setup Guide (this document)
- i. Set of printer documentation
- j. Set of CD-ROMs
- k. Power cord

Printer Documentation

After installing the printer as shown in this **Setup Guide**, refer to the documentation for instructions on operation and maintenance.

Daily operation

The **Basic Guide** contains the following information:

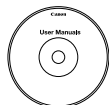
- Instructions on basic operation
- Troubleshooting tips and maintenance procedures
- Preparations for transferring the printer



Detailed instructions

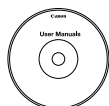
The **User Manual** (electronic manual) includes the following information:

- Printer operating instructions
- Printer driver instructions
- Printing instructions
- Maintenance procedures
- Instructions for network printing
- Troubleshooting tips
- Printer menu descriptions
- Printer driver function details
- Specifications, details on consumables and optional accessories, and other information



Supported paper

The **Paper Reference Guide** (electronic manual) provides information about paper.



You can access the **User Manual** and **Paper Reference Guide** as follows:

- In Windows, double-click the **iPFxxxx Support** desktop icon. (iPFxxxx represents the printer model.)
- In Mac OS X, click **iPF Support**, added to the **Dock**.



**MEMO** • Some items are included with the printer but not described in this manual. Keep these items in a safe place after setup because they are used in various printing applications.  
• For instructions on using items not described in this manual, refer to the User Manual.  
• A cable to connect the printer to a computer is not provided with the printer.

• Canon, the Canon logo, and imagePROGRAF are trademarks or registered trademarks of CANON INC.  
• Microsoft and Windows are trademarks of Microsoft Corporation, registered in the U.S. and other countries.  
• Macintosh is a trademark of Apple Inc., registered in the U.S. and other countries.  
• All other trademarks or registered trademarks described in this **Setup Guide** are the property of their respective owners.



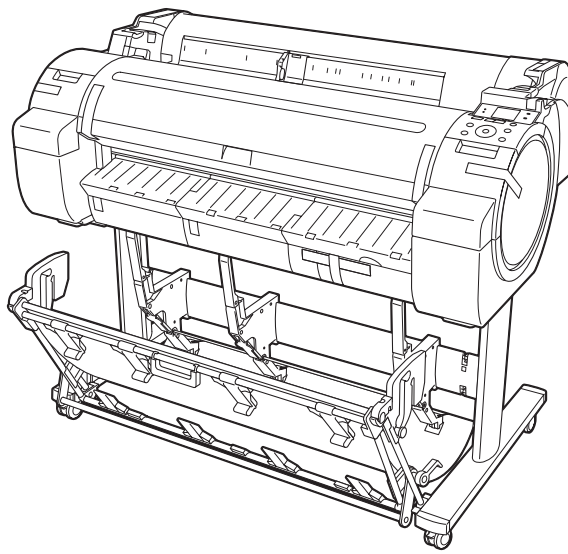


## Preparations

Prepare the printer for use by installing the printer and connecting the power cord.

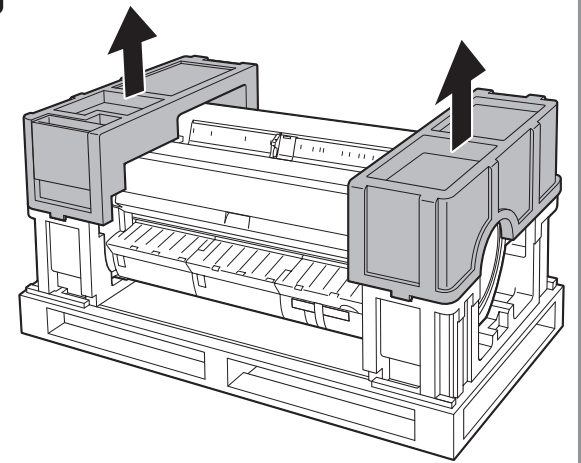
**1**

Install the printer.  
Assemble the stand and install the printer referring to the Printer Stand Setup Guide included with the stand.



**2**

Remove the packing materials from the top of the printer.

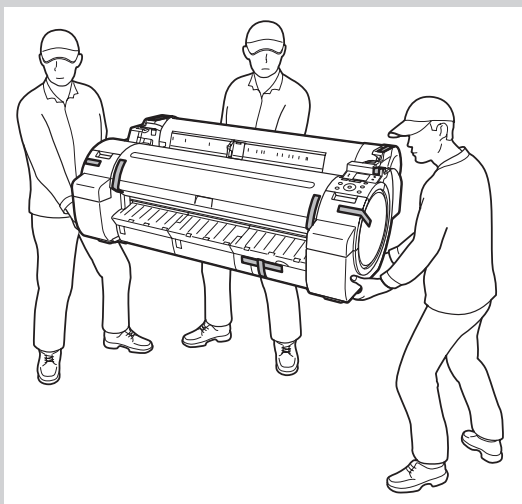


**3**

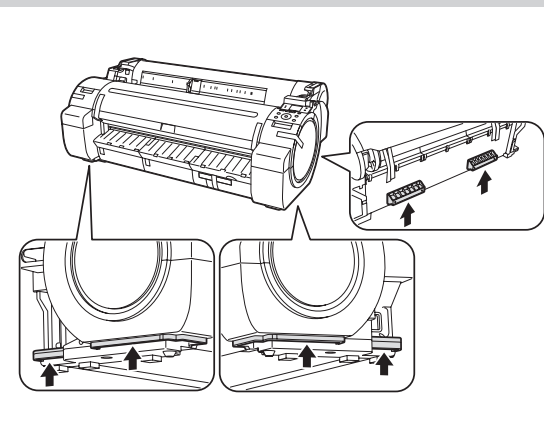
Three people should hold the printer's carrying handles and place the printer on a table or other flat location.



• The iPF760/iPF765 weighs approximately 52 kg by itself. Moving the printer requires at least three people. Be careful to avoid back strain and other injuries.

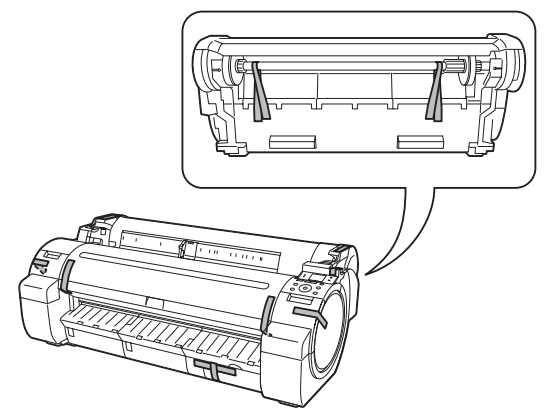


• When moving the printer, firmly grasp the carrying handles. Holding the printer at other positions is dangerous, and may cause injury and damage if the printer is dropped.



**4**

Remove the orange tape used to secure the roll holder to the printer.

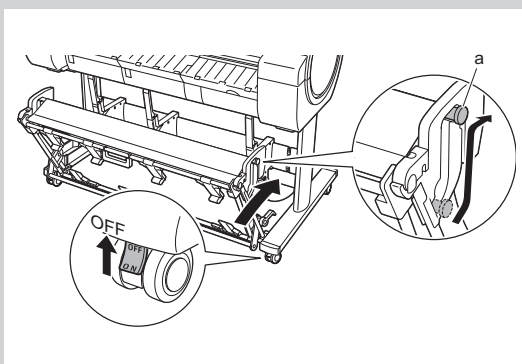


**5**

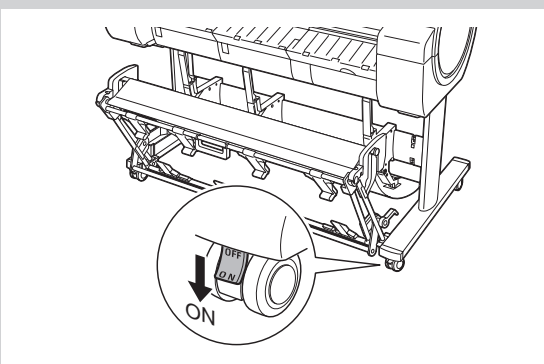
Move the printer to the location where you will use it.



• When moving the stand, lift the support rod to the position (a) before closing the output stacker and unlocking the 4 casters. Failure to do so may lead to scratched flooring, damage to the basket cloth, and injury.

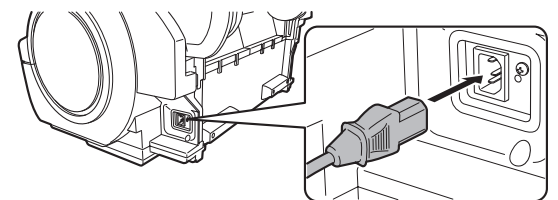


• After you have moved the stand, be sure to lock the 4 casters.



**6**

Plug the power cord into the power supply connector on the right of the printer and plug the other end into the outlet.

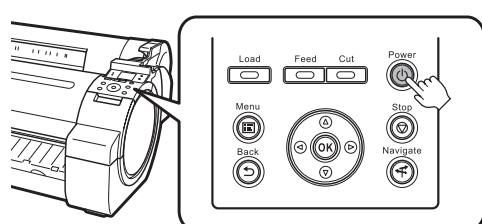


## Install the Ink Tanks

Load all six ink tanks.

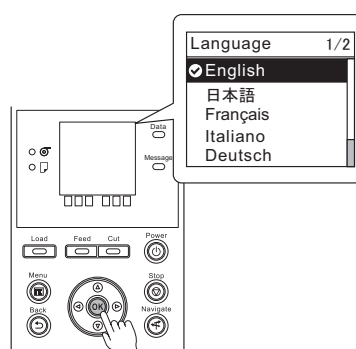
**1**

Press the power button to turn on the printer.



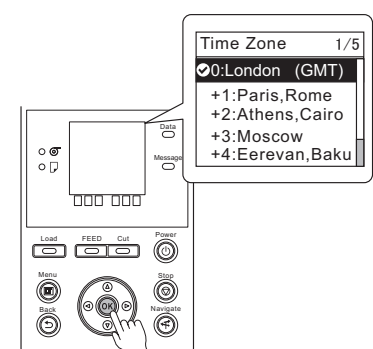
**2**

When the following screen appears, use the ▲ and ▼ keys to select a language and press OK.



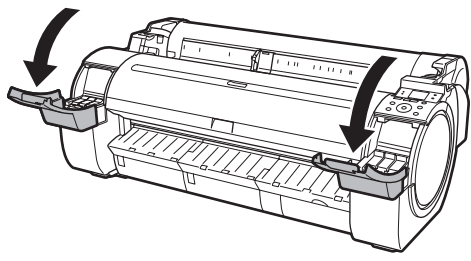
**3**

Select your local time zone and press OK.



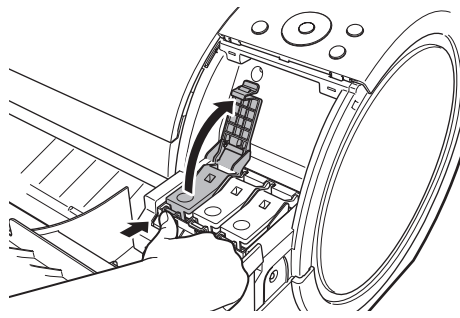
4

Instructions on ink tank installation are shown on the display screen. As instructed, grab the handle on the ink tank cover to open it.



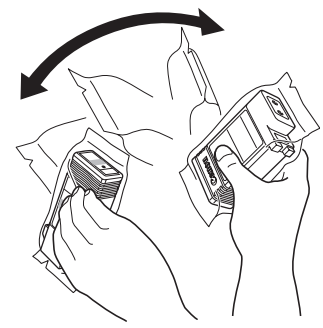
5

While pressing the stopper of the ink tank lock lever inwards, open the ink tank lock lever upwards.



6

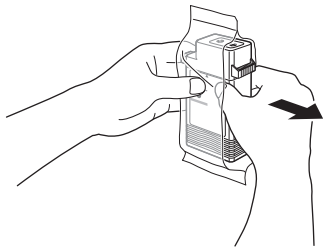
Shake the ink tanks gently 1 to 2 times before opening the pouch.



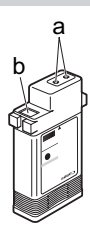
**Important** • Failure to shake ink tanks may result in reduced print quality because ink ingredients have settled on the bottom of the tank.

7

Open the pouch and remove the ink tank.



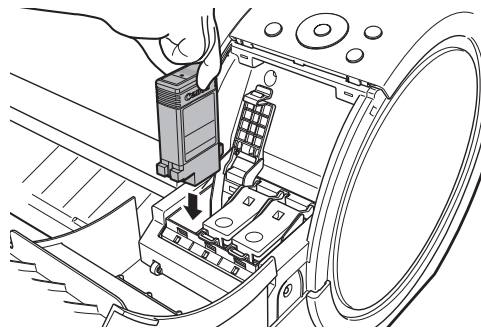
**Important** • Never touch the ink holes (a) or metal contacts (b). Touching these parts may cause stains, damage the ink tank, and affect print quality.



- Avoid dropping the ink tank after removing it from the pouch. Otherwise, ink may leak and cause stains.
- Do not remove and shake ink tanks that have already been installed in the printer because ink may leak out.

8

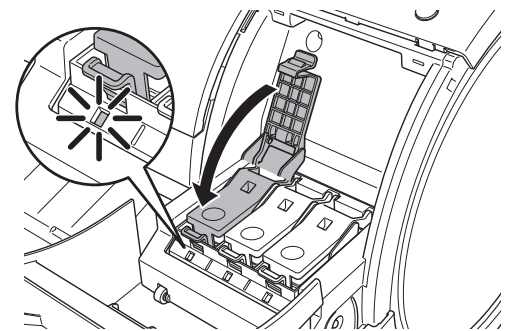
Insert the ink tank into the holder facing as shown, with the ink holes down.



**Important** • If the ink tank does not fit in the holder, make sure the color of the ink tank lock lever matches the color of the ink tank, and check the orientation of the ink tank.

9

Close the ink tank lock lever until it clicks into place. Make sure the ink lamp is lit in red.



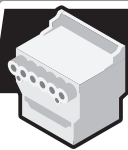
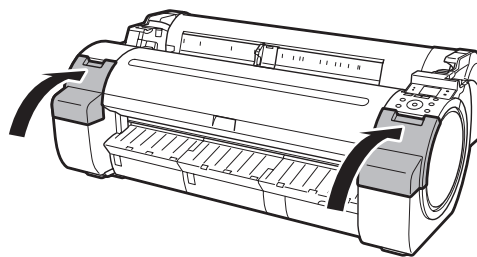
**Important** • If the ink lamp is not lit, repeat steps 5, 8, and 9.

10

Repeat steps 5 to 9 to install all of the ink tanks.

11

Close the ink tank cover.

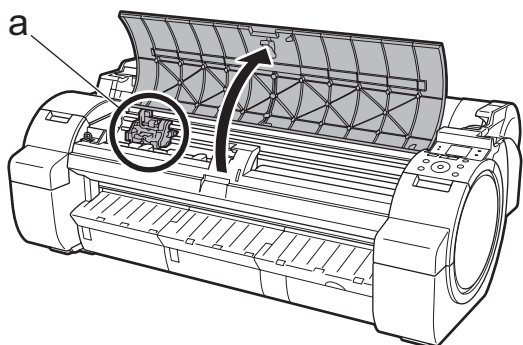


## Install the Printhead

Next, install the printhead.

1

**Open Upper Cover** is shown on the display screen. As instructed, open the top cover.

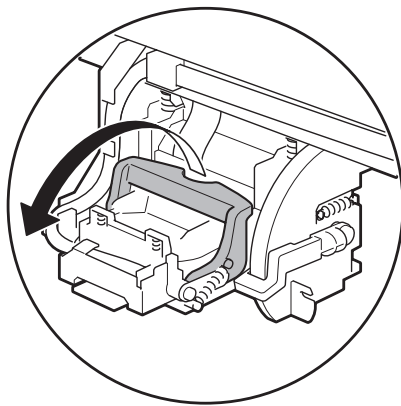


Instructions on printhead replacement are shown on the display screen.

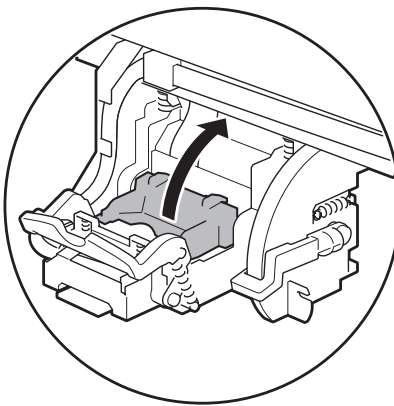
**Important** • When installing the printhead, do not move the carriage (a) from the position shown in the figure. If you move the carriage (a), a warning noise sounds and the printhead cannot be installed. If you have moved the carriage (a), close the top cover. The carriage (a) moves to the position shown in the figure.

**2**

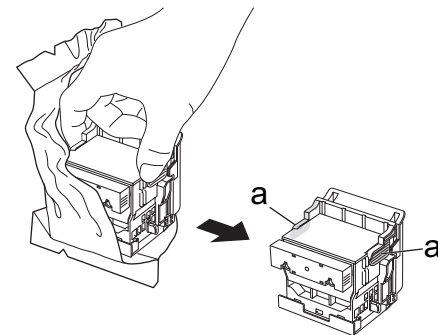
Pull the printhead fixer lever forward all the way to open it completely.

**3**

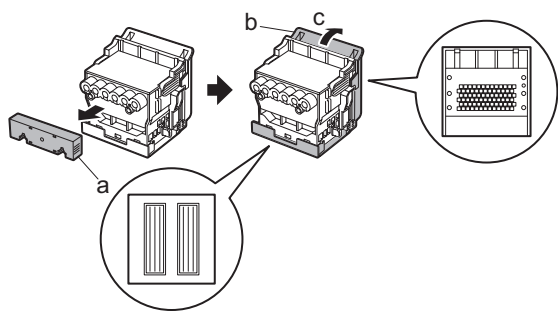
Lift the printhead fixer cover to open it fully.

**4**

Hold the printhead by the grips (a) as you remove it from the pouch.

**5**

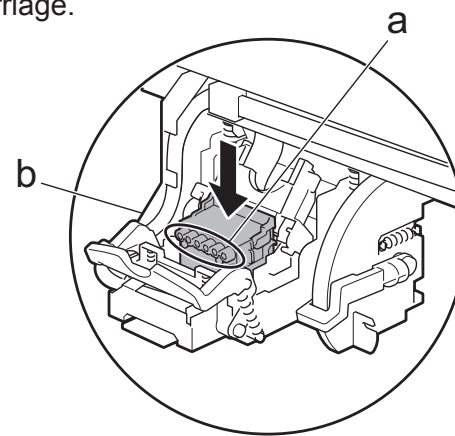
Remove the orange protective part (a). To remove orange protective part (b), push the grip (c) as you remove the part.

**Important**

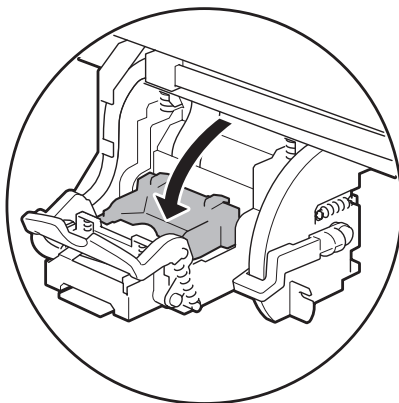
- Never touch the parts covered by the protective part. This may damage the printhead and affect printing quality.
- The printhead contains ink, so be careful not to spill it once the protective part is removed.
- Do not reattach the protective part after removing it. Dispose of these materials according to local regulations.

**6**

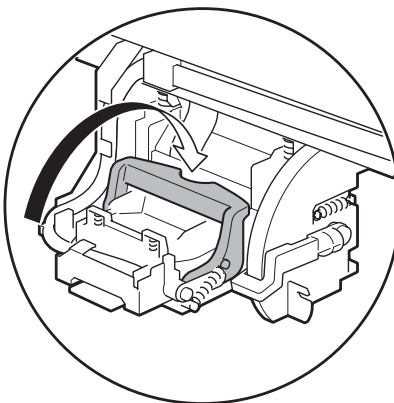
Insert the printhead into the carriage (b) with the ink holes (a) facing away from the printer as shown in the figure. Carefully push the printhead firmly into the carriage (b), ensuring that the part covered by the protective part does not touch the carriage.

**7**

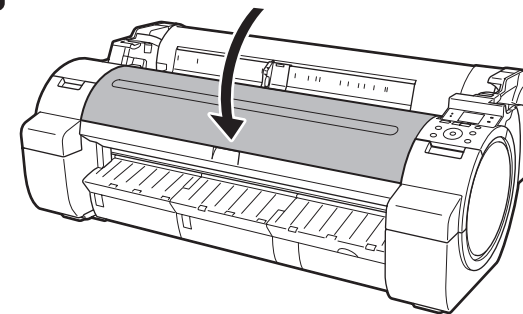
Pull the printhead fixer cover down toward the front to lock the printhead in place.

**8**

Push the printhead fixer lever all the way back.

**9**

Close the top cover.

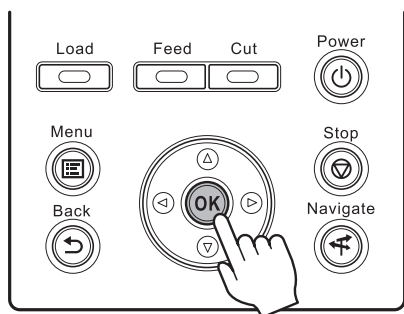


## Load Paper to Adjust the Printhead

Follow these steps to load the provided sample paper for printhead adjustment.

**1**

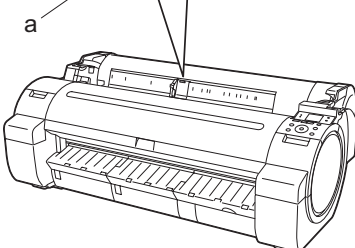
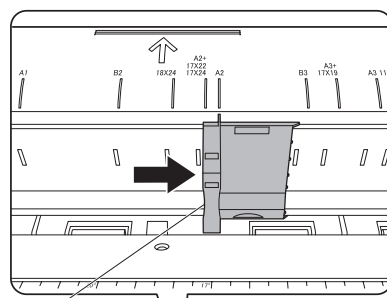
Select type of paper for printhead adj. is shown on the display screen. Check that **Cut Sheet** is selected and press **OK**.



Instructions on loading cut sheets are shown on the display screen.

**2**

Slide the width guide (a) and align it with the mark for the size of paper to be loaded. In this example, align the width guide with A2 to align it with the size of the sample paper.

**3**

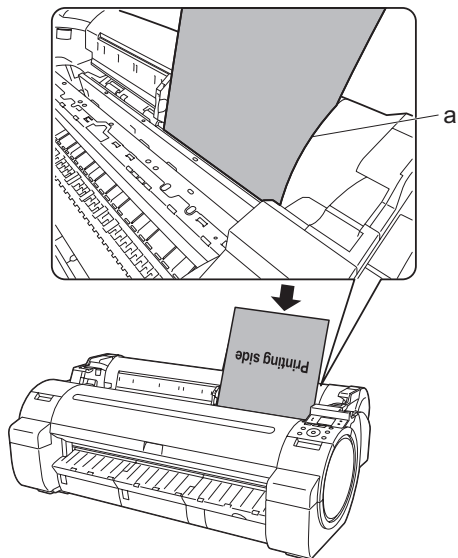
Prepare one sheet of paper. Refer to the packaging for the paper to check which side is the printable surface.

**Important**

- Return unused paper to the pouch it came in, and store it away from heat, humidity and direct sunlight.

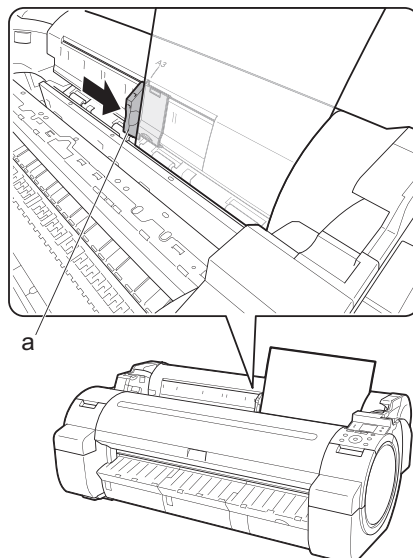
4

Load the sheet straight into the paper feed slot with the printing-side facing up, making sure the right edge is aligned with the paper alignment guide (a) to the right of the roll cover. Insert the paper until the leading edge makes contact and you hear a tone.



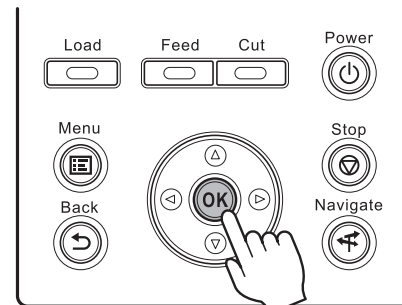
5

Adjust the position of the width guide (a) to the size of the paper to be loaded. Make sure the width guide fits properly against the edge of the paper to prevent it from being tilted or wrinkled.



6

A message confirming paper advance is shown on the display screen. Press **OK**.

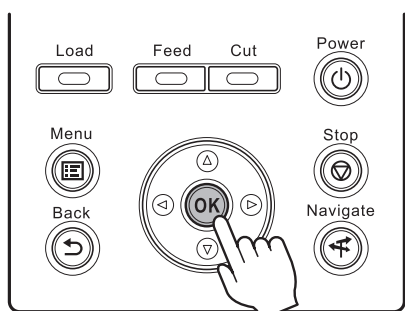


Important

- Only one sheet can be loaded in the printer. Do not load two or more sheets. Doing so might cause a paper jam.
- Wrinkled or warped paper might cause paper jams. Be sure to flatten the paper out before loading it.

7

The screen for selecting the paper type is shown on the display screen. Press **▲** or **▼** to select the type of paper loaded in the printer. Select **Coated Paper** and press **OK**. Then from the menu that appears, select **Coated Paper** and press **OK**.



The paper is advanced.

8

When paper advance ends, the system is automatically filled with ink for the first time and printhead adjustment is started. It takes a total of about 20 minutes. Make use of this time by referring to "Install the Printer Driver and the User Manual" on page 6 to install the printer driver and the User Manual on your PC.

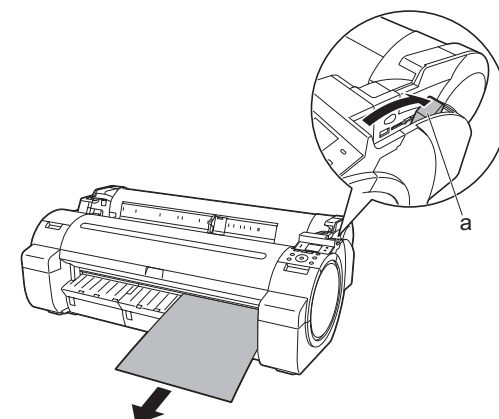


MEMO

During printer installation, ink fills the system between the ink tanks and printhead. In addition, printheads are cleaned to keep the printer in optimal condition. This may cause the maintenance cartridge capacity indicator to drop to about 80%, but this is not a problem with the printer.

9

When printhead adjustment ends, paper is printed with an adjustment pattern and is ejected. While holding the paper, press the release lever (a) backwards to remove the paper.



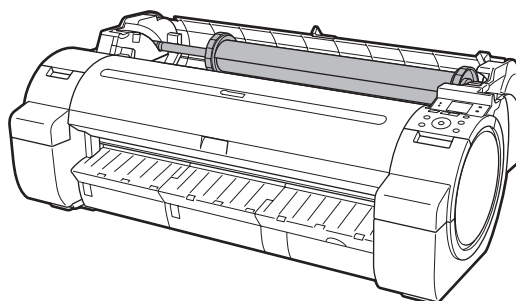
10

Pull the release lever forward. Printer setup is now complete.



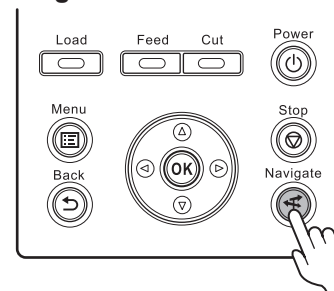
MEMO

For how to load roll paper, refer to the **Basic Guide**, to the **User Manual** installed at "Install the Printer Driver and the User Manual", or to the instructions displayed by the navigation function of the control panel.



Follow the procedure below to display the navigation on how to load roll paper.

1. Press **Navigate**.



2. Use the **▲** and **▼** keys to select **Load Roll Paper** and press **OK**.
3. Use the **▲** and **▼** keys to select **View Op. Guide** and press **OK**. The navigation starts.

# Install the Printer Driver and the User Manual

## Windows

You can print from Windows via USB or TCP/IP (network) connections. The installation procedure varies depending on how your printer is connected. Install the printer driver and the User Manual by following instructions below. If you connect the printer with a USB cable, refer to "For USB connections" on page 6. If you connect the printer with TCP/IP (network), refer to "For TCP/IP (network) connections" on page 8.

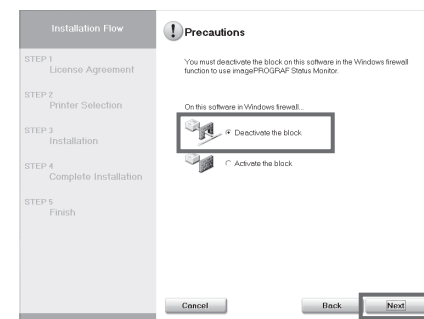
- Installation requires administrative rights (such as those of Administrator). Be sure to log on using an account with administrative rights before installation.

<Compatible Operating Systems>  
Windows 7, Windows Vista, Windows Server 2008 R2, Windows Server 2008, Windows Server 2003 R2, Windows Server 2003, Windows XP

- For the Windows OS, use the latest version of Service Pack.

MEMO The following screen may be displayed during installation depending on the security settings of your computer.

- Select **Deactivate the block** and click **Next**.

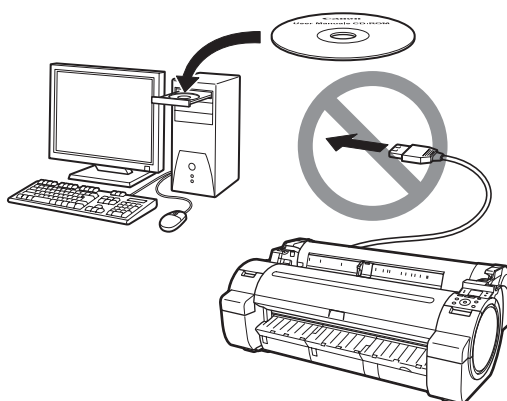


## For USB connections

### Install the printer driver

- Use a USB cable that conforms to the Hi-Speed USB specification.
- Connect the USB cable to the printer according to the on-screen instructions during installation of the printer driver. If you connect the USB cable before installing the printer driver, the printer driver may not be installed correctly.

**1** After making sure the printer is not connected to the computer, turn the computer on. Insert the provided **User Software CD-ROM** for your operating system in the CD-ROM drive.

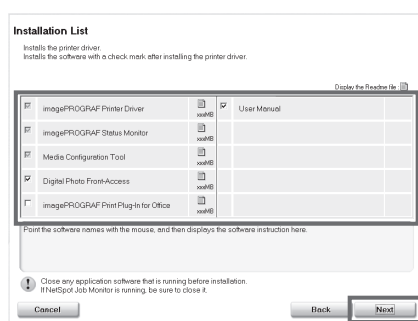


**2** In the **Setup Menu** window, click **Install Printer Driver**.

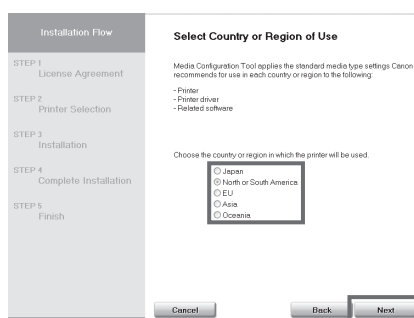


- To choose a different language, click **Language**.

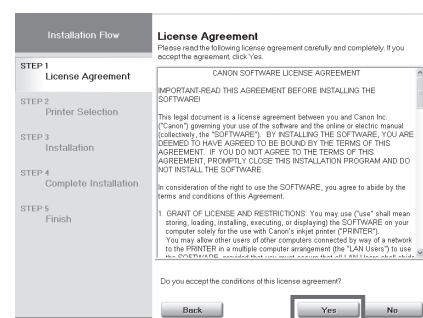
**3** Select the software to install in the **Installation List** window, and then click **Next**. Point the mouse pointer at a software name to display a summary of the software.



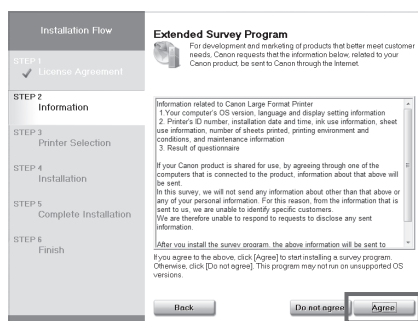
**4** In the **Select Country or Region of Use** window, select the country or region of use and click **Next**.



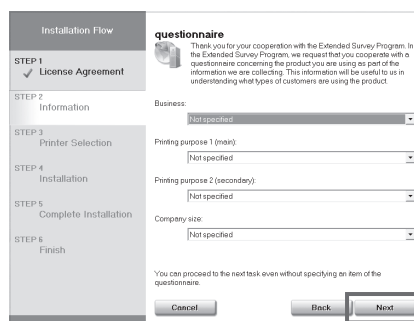
**5** After reading the license agreement, click **Yes**.



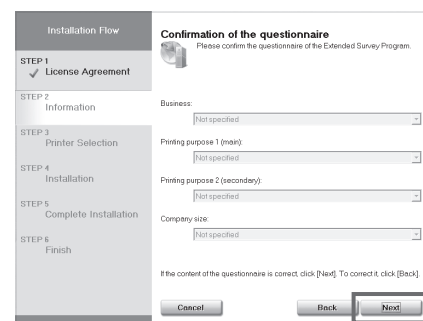
**6** If you can agree **Extended Survey Program**, click **Agree**.



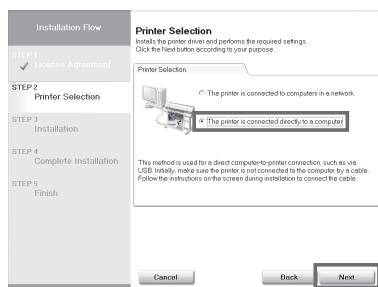
**7** If you can respond to the questionnaire, click **Next**.



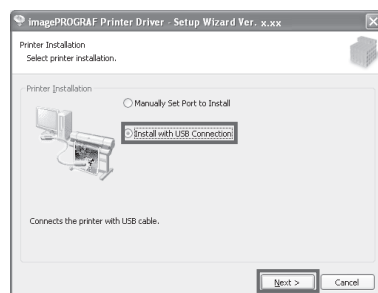
**8** Confirm your questionnaire responses, and click **Next**.



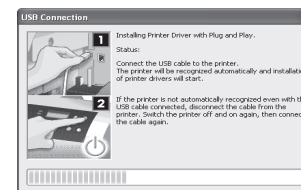
**9** In the **Printer Selection** window, select **The printer is connected directly to a computer** and click **Next**.



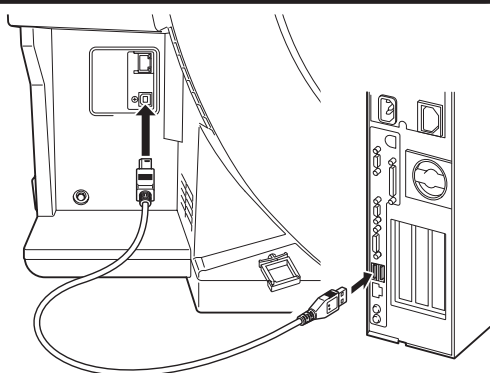
**10** In the **Printer Installation** dialog box, select **Install with USB Connection**, and click **Next**.



**11** When the following dialog box is displayed, make sure the printer is on and use the USB cable to connect the printer to the computer.

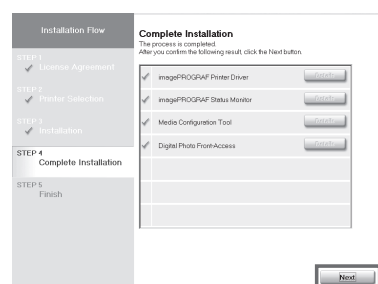


• If a warning message is displayed, click **Retry** to try again.

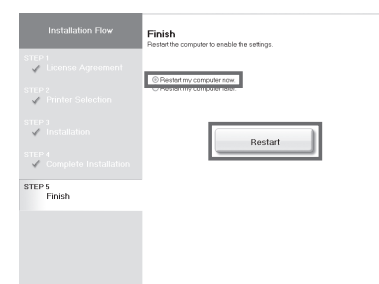


• Be careful not to insert the USB cable into the Ethernet port.

**12** After reviewing the installation results in the **Complete Installation** window, click **Next**.



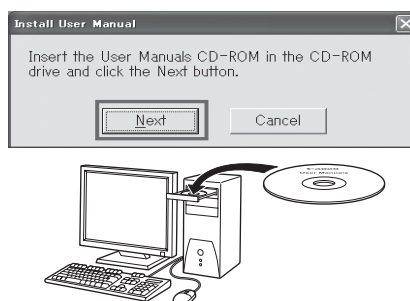
**13** In the **Finish** window, select **Restart my computer now** and click **Restart**.



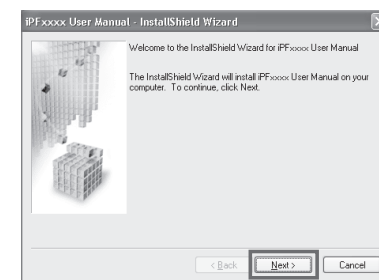
### Install the User Manual

**14** The printer driver settings take effect after the computer restarts. This completes printer driver installation. An **iPFxxxx Support** desktop icon is created after installation. (iPFxxxx represents the printer model.) Next, install the User Manual.

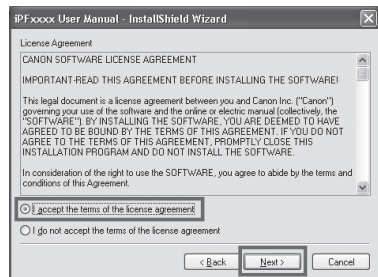
**15** When the **Install User Manual** dialog box is displayed, insert the provided **User Manuals CD-ROM** in the CD-ROM drive and click **Next**.



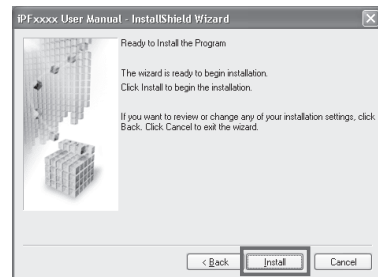
**16** Click **Next**.



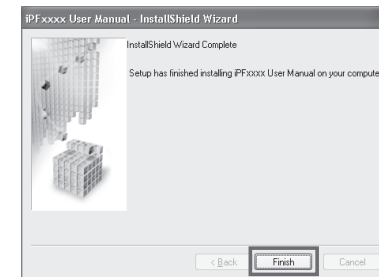
**17** After reading the software license agreement, select **I accept the terms of the license agreement**, and then click **Next**.



**18** Click **Install**. The installation process begins.



**19** After installation is completed, click **Finish**.

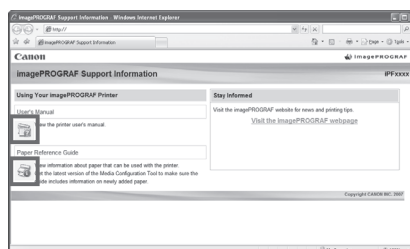


The User Manual is now installed.

**20** Double-click the **iPFxxxx Support** desktop icon.



**21** When clicking the **User's Manual** button, the User Manual will be opened and clicking the **Paper Reference Guide** button, the Paper Reference Guide will be opened.



## For TCP/IP (network) connections

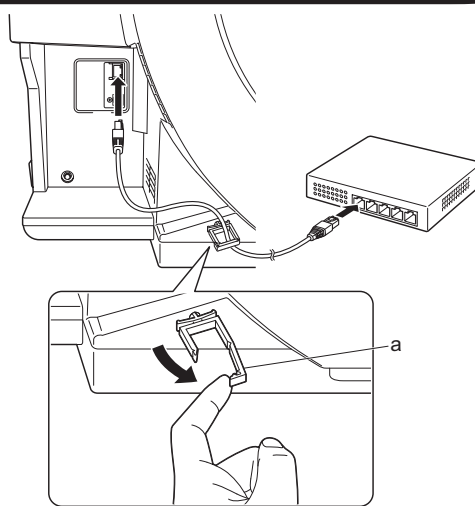
### Install the printer driver



If the printer is already connected to the network, confirm the IP address assigned to the printer. Ask your network administrator for further information.

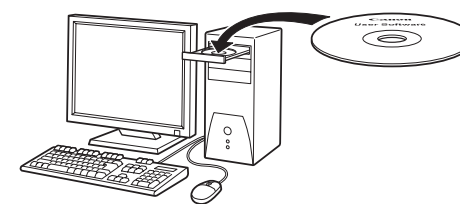
# 1

Use the LAN cable to connect the LAN port on the back of the printer to the hub port. Pass the network cable through the wiring bracket (a).  
If the printer is already connected to the network, proceed to step 2.



# 2

Make sure the printer is on. Turn the computer on and insert the provided **User Software CD-ROM** for your operating system in the CD-ROM drive.



# 3

Perform procedures of steps 2-8 on page 6.

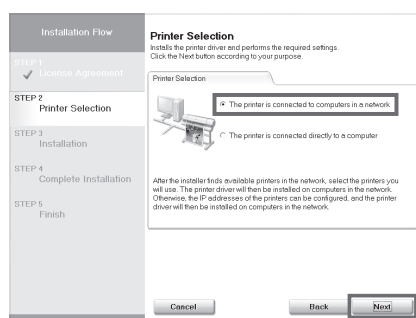


If the printer is on, the Link indicator under the LAN port lights.

1000Base-T connection	The LED on the bottom lights green.
100Base-TX connection	The LED on the top lights orange.
10Base-T connection	The LED on the top lights green.

# 4

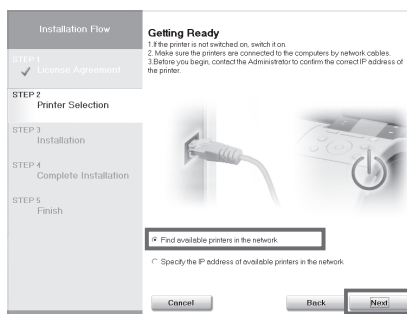
In the **Printer Selection** window, select **The printer is connected to computers in a network** and click **Next**.



# 5

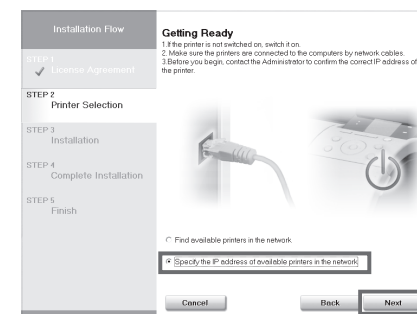
When searching the available printer on the network

After reading the precautions in the **Getting Ready** window, select **Find available printers in the network** and click **Next**. Proceed to step 6.



When entering the printer's IP address manually

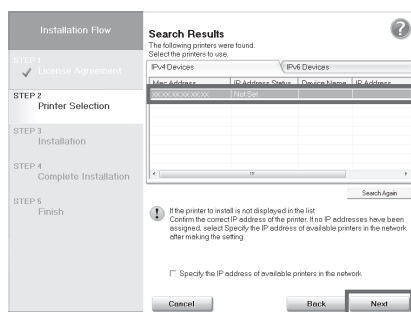
After reading the precautions in the **Getting Ready** window, select **Specify the IP address of available printers in the network** and click **Next**. Proceed to step 8.



# 6

When searching the available printer on the network

Available printers are listed in the **Search Results** window. Select a printer from the list on either their **IPv4 Devices** or **IPv6 Devices** tabs and click **Next**.



Select the printer with the **IP Address Status** is **Available**, and then click **Next** to start installation. Proceed to step 9 in this case.

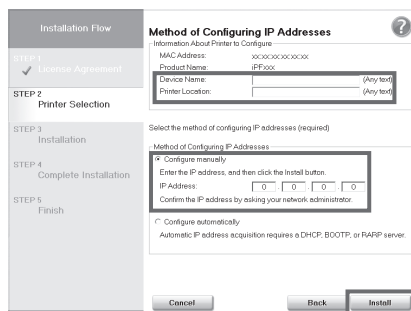


- The **IPv6 Devices** tab is displayed in Windows 7, Windows Vista, Windows Server 2008 R2, and Windows Server 2008.
- If the printer you want to use is not displayed in the list on the **IPv6 Devices** tab, connect via IPv4 instead.
- If the printer you want to use is not displayed in the list of printers on the **IPv4 Devices** tab, refer to "When the printer cannot be found on the network" on page 9 to setup and configure an IP address for the printer.

# 7

When searching the available printer on the network

In the **Method of Configuring IP Addresses** window, enter the IP address in **Configure manually**, under **Method of Configuring IP Addresses**. Click **Install** to start the installation process. Also enter your preferred name for the printer in **Device Name** and the installation location in **Printer Location** under **Information About Printer to Configure**, as desired.  
The installation process begins. Proceed to step 9.



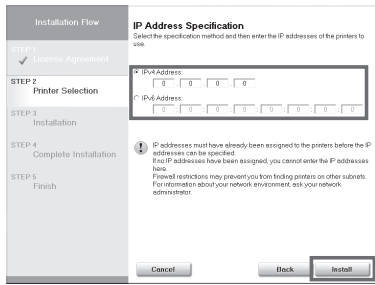
- If you use a DHCP server for automatic assignment of the printer's IP address, printing may no longer be possible after the printer is turned off and on. This is because a different IP address has been assigned. When using DHCP server functions, consult your network administrator and configure the settings in one of the following ways:
  - Configure the setting for dynamic DNS updating. In the printer menu, either set **DNS Dync update** to **On**, or activate the setting **Enable DNS Dynamic Update** in RemoteUI. (→"Menu Settings", User Manual)
  - (→"Configuring the Printer's TCP/IP Network Settings", User Manual)
- Configure the setting for assignment of the same IP address each time the printer starts up



8

When entering the printer's IP address manually

In the **IP Address Specification** window, select either **IPv4 Address** or **IPv6 Address** to enter the printer's IP address and click **Install**. The installation process begins.



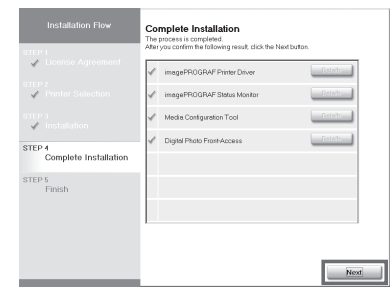
• Ask your network administrator for the IP address, as needed.



• **IPv6 Address** is displayed in Windows 7, Windows Vista, Windows Server 2008 R2, and Windows Server 2008.

9

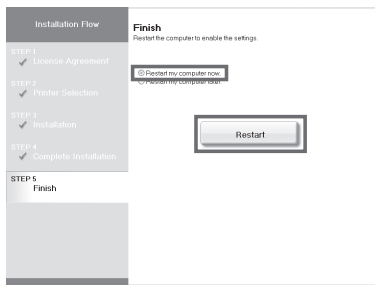
After reviewing the installation results in the **Complete Installation** window, click **Next**.



Install the User Manual

10

In the **Finish** window, select **Restart my computer now** and click **Restart**.



11

The printer driver settings take effect after the computer restarts. This completes printer driver installation. An **iPFxxxx Support** desktop icon is created after installation. (iPFxxxx represents the printer model.)

12

Next, follow steps 15-21 on page 7 to Install the User Manual

When the printer cannot be found on the network

If your printer cannot be found when connecting to the network for the first time, setup an IP address for the printer and then configure it on the printer.

When ink fills the system for the first time, after printhead adjustment is finished, specify the IP address on the printer's control panel.



• When ink fills the system for the first time, do not operate the printer until printhead adjustment is finished.

1

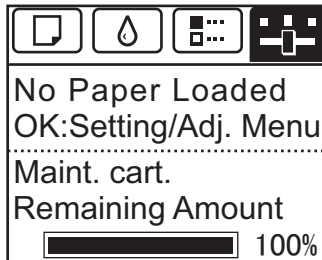
On the tab selection screen of the control panel, press the ◀ and ▶ keys to select (settings/adj. tab) and press **OK**.

2

Use the ▲ and ▼ keys to select **Interface Setup** and press **OK**.

3

Use the ▲ and ▼ keys to select **TCP/IP** and press **OK**.



4

Enter the IP address. Navigate through the following menus using the ▲ and ▼ keys on the control panel.

1. Select **IPv4** and press **OK**.
2. Select **IPv4 Settings** and press **OK**.
3. Select **IP Address** and press **OK**.
4. Enter the IP address.



- How to enter IP addresses
1. Press the ◀ and ▶ keys to select a field for inputting values.
  2. Use the ▲ and ▼ keys to input values.
    - Pressing ▲ increases the value by one.
    - Pressing ▼ decreases the value by one.
    - Holding down either the ▲ or ▼ keys continually increases or decreases the value.
  3. Press **OK** once you have finished.

5

Press **Menu**.

6

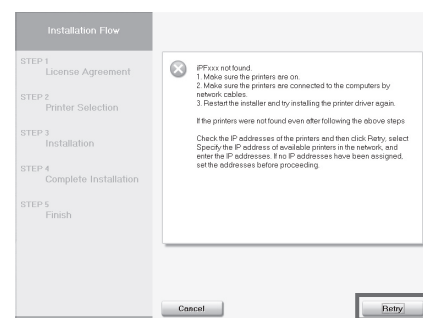
Press **OK** on the registration confirmation message that appears. The IP address is set on the printer. Next, restart installation of the printer driver.

7

In the **Search Results** window, select **Specify the IP address of available printers in the network** and click **Next**. When the **IP Address Specifications** window appears, follow the instructions of "When entering the printer's IP address manually" in step 8 to 12 on page 9 to complete the installation of the printer driver and the User Manual.



• If the following screen appears, click **Retry** and select **Specify the IP address of available printers in the network** on the next screen that appears.



# Macintosh

You can print from Macintosh via USB or network connections such as Bonjour or IP.  
Install the printer driver and the User Manual depending on your computer environment.

<Compatible Operating Systems>  
Mac OS X 10.4.11 or later

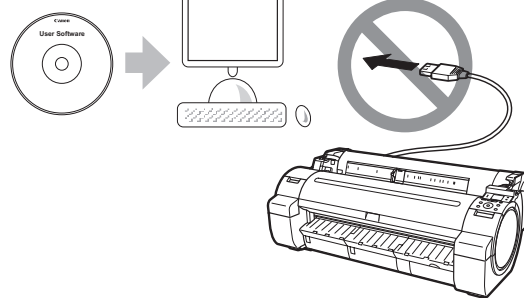
## Install the printer driver



• Be sure to log in as a user with administrative rights when installing the printer driver.

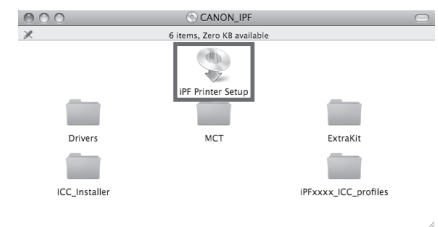
1

After making sure the printer is not connected to the computer, turn the computer on. Insert the provided **User Software CD-ROM** for your operating system in the CD-ROM drive.



2

On the desktop, double-click the CD-ROM icon and then the **iPF Printer Setup** icon.



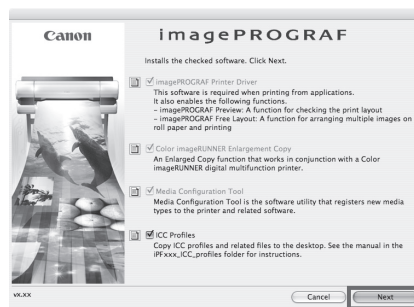
3

If the following screen is displayed, enter the user name and password of a user with administrative rights and click **OK**.



4

Select the software to install, and click **Next**.



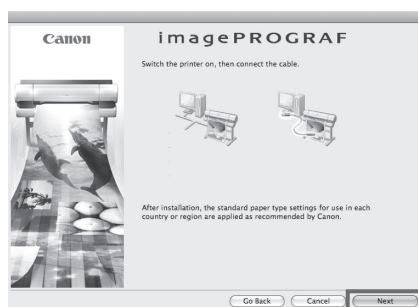
5

Select the country or region where the printer will be used and click **Next**.



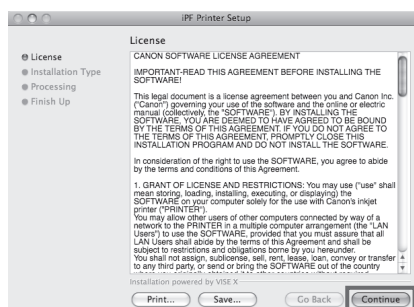
6

Click **Next**.



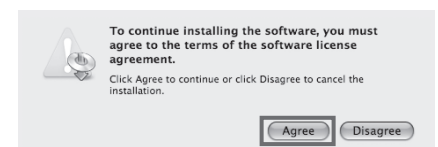
7

After reading the software license agreement, click **Continue**.



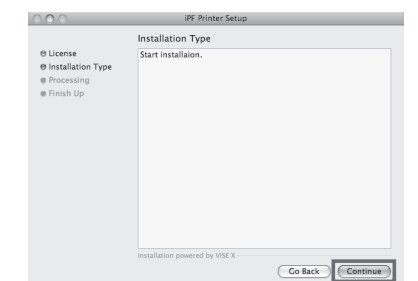
8

Click **Agree**.



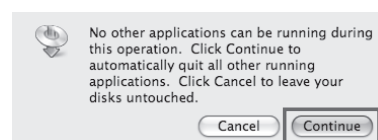
9

Click **Continue**.



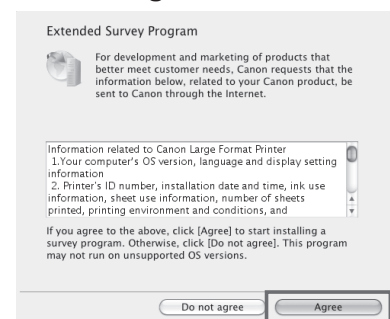
10

Exit other applications and click **Continue**.  
Items selected in step 4 are installed.



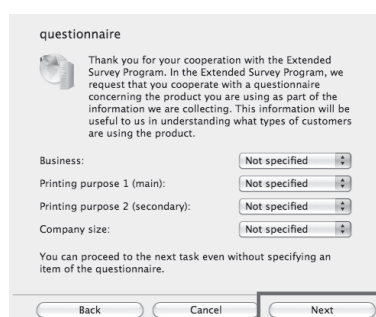
11

If you can agree Extended Survey Program, click **Agree**.



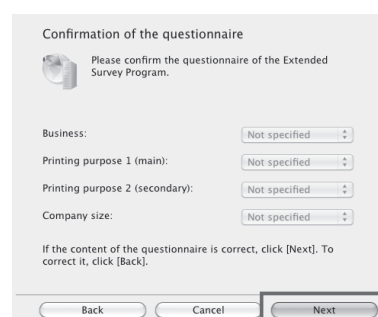
12

If you can respond to the questionnaire, click **Next**.



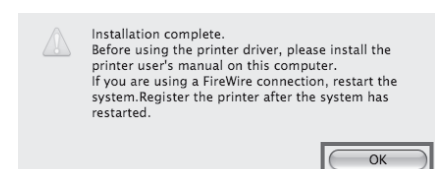
13

Confirm your questionnaire responses, and click **Next**.



14

Click **OK**.



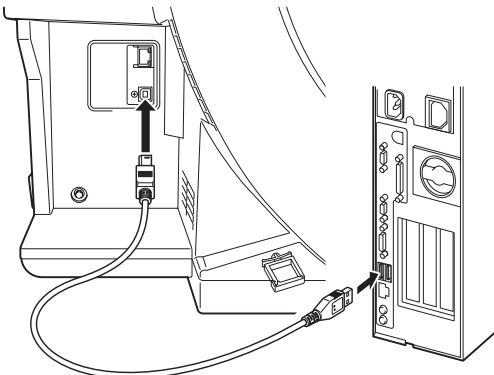
## Connect the printer to a computer

- 15** Click **Quit**. This completes printer driver installation. Next, connect the printer to the computer.

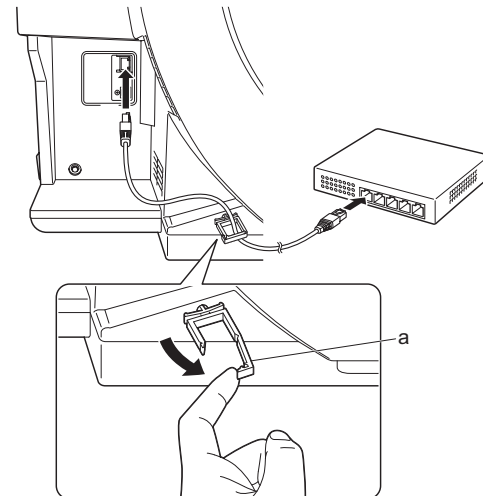


- 16** Make sure that the printer is on, and then connect the printer to the computer or the network with a cable. When connecting to a network, pass the network cable through the wiring bracket (a).

- For USB connections



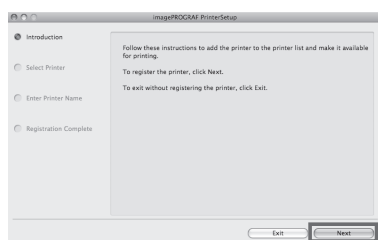
- For network connections



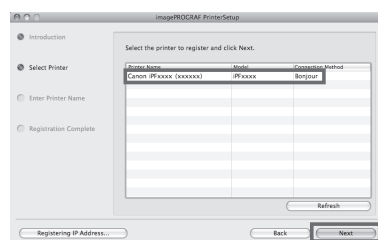
- Be careful not to insert the USB cable into the Ethernet port.

## Select the printer to setup

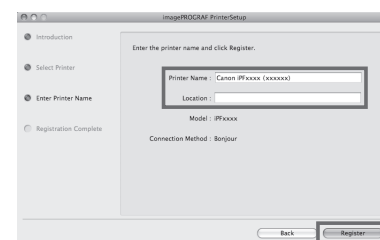
- 17** Click **Next**.



- 18** Select the printer to setup and click **Next**.

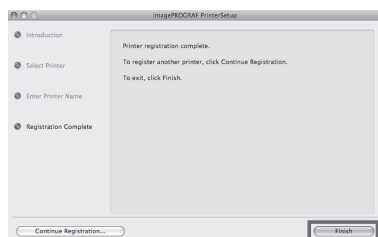


- 19** After entering your preferred name for the printer in **Printer Name** and the installation location in **Location**, click **Register**.



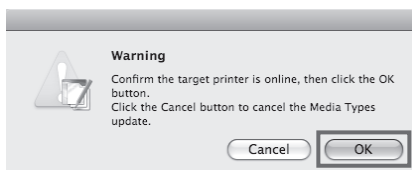
- To register the printer by entering its IP address, click **Registering IP Address**. Enter the IP address of the desired printer in **IP Address** and click **Next**.

- 20** Click **Finish**.



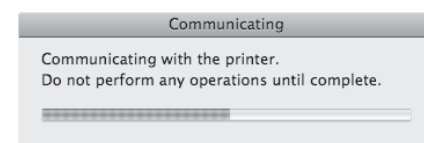
- To register another printer, click **Continue Registration**, and repeat steps 17 to 19.

- 21** Click **OK**.



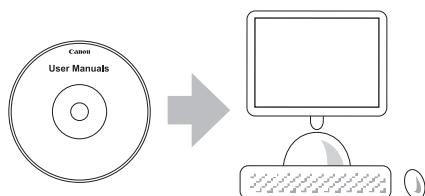
- If the same model of printer is already registered on the computer, a screen is displayed for printer selection. Select the desired printer and click **Next**.

- 22** The following screen is displayed and paper information is updated. When the paper information has been updated, the screen is no longer displayed.



## Install the User Manual

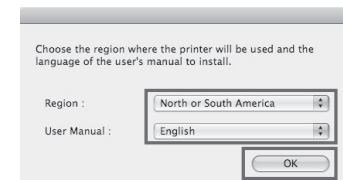
- 23** Next, install the **User Manual**. Insert the provided **User Manuals CD-ROM** in the CD-ROM drive.



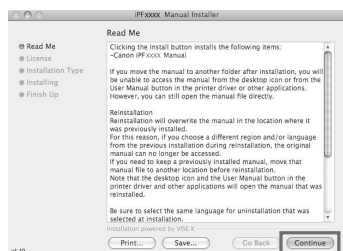
- 24** Double-click the **iPFxxxx Manual Installer** icon on the CD-ROM. (iPFxxxx represents the printer model.)



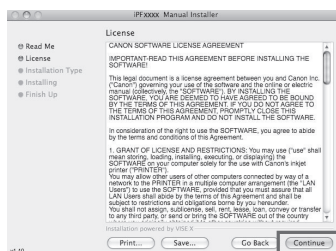
- 25** Select the region where the printer will be used and the language of the user manual to install, and then click **OK**.



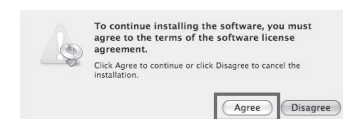
- 26** Check the message and click **Continue**.



- 27** After reading the software license agreement, click **Continue**.



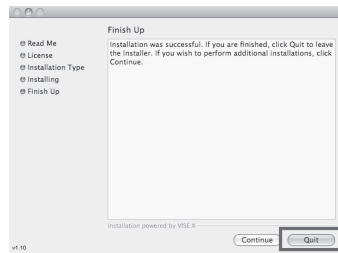
- 28** Click **Agree**.



## 29 Click Install.



## 30 After installation is completed, click Quit.

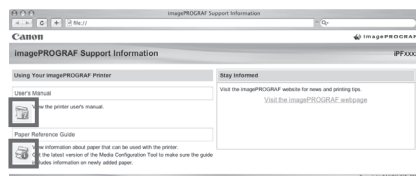


## 31 Click the iPF Support icon in the Dock.



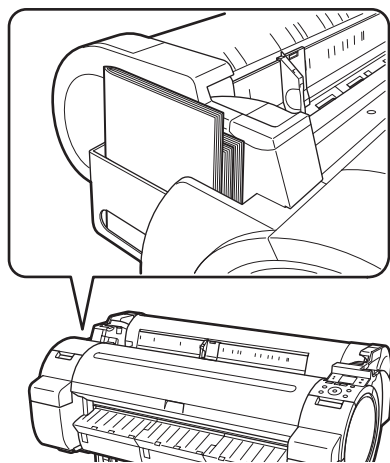
The User Manual is now installed.

## 32 When clicking the User's Manual button, the User Manual will be opened and clicking the Paper Reference Guide button, the Paper Reference Guide will be opened.

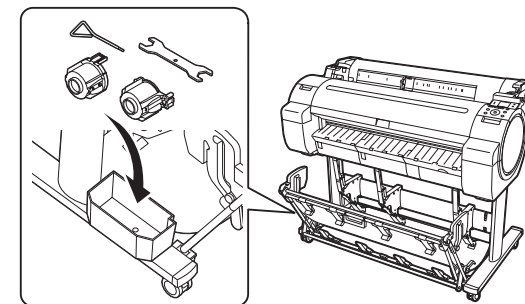



## Store Accessories in the Pockets

**1** Use the manual pocket to store the **Basic Guide** (which includes descriptions of basic printer operations, routine maintenance, and troubleshooting tips), so you can refer to it as needed.



**2** When using the stand, store the 3-inch paper core attachment and other accessories in the accessory pocket.



 • The accessory pocket is included with the stand.

## Responding to Messages

Error messages may appear on the display screen of the control panel during printer installation in some cases. If so, it may not indicate a problem with the printer, and the issue may be easily resolved. Common messages and the causes are listed here with corrective actions. To respond to error messages other than these, refer to the **Basic Guide**. For other detailed printer instructions, refer to the **User Manual** installed at "Install the Printer Driver and the User Manual".

Message	Cause	Corrective Action
No ink tank loaded. Check ink tank.	There is no ink tank of the indicated color in the printer.	Load or reload the ink tank. (see steps 4-11 on page 3)
No printhead Install printhead.	The printhead is not installed.	Install the printhead. (see steps 1-9 on page 3-4)
Paper is crooked. Push the release lever back, then Pull out the cut sheet.	The loaded paper is crooked.	1. Press the release lever backwards. 2. Pull out the paper. 3. Pull the release lever forward. 4. Load or reload the paper.
Could not detect paper size. Push release lever back, Pull out the cut sheet.	The paper is loaded in the wrong position or the paper is curled.	
Insert the maintenance cartridge.	The maintenance cartridge is removed.	Install the maintenance cartridge correctly.
Hardware error. xxxxxxx-xxxx (x represents a letter or number)	Another kind of error has occurred.	Turn off the printer and wait at least three seconds before restoring the power. If the message still appears, write down the error code and message, turn off the printer, and contact your Canon dealer for assistance.
ERROR Exxx-xxxx (x represents a letter or number)	You may have encountered an error that cannot be resolved.	Write down the error code and message, turn off the printer, and contact your Canon dealer for assistance.

## Free Manuals Download Website

<http://myh66.com>

<http://usermanuals.us>

<http://www.somanuals.com>

<http://www.4manuals.cc>

<http://www.manual-lib.com>

<http://www.404manual.com>

<http://www.luxmanual.com>

<http://aubethermostatmanual.com>

Golf course search by state

<http://golfingnear.com>

Email search by domain

<http://emailbydomain.com>

Auto manuals search

<http://auto.somanuals.com>

TV manuals search

<http://tv.somanuals.com>