



QT55565V01

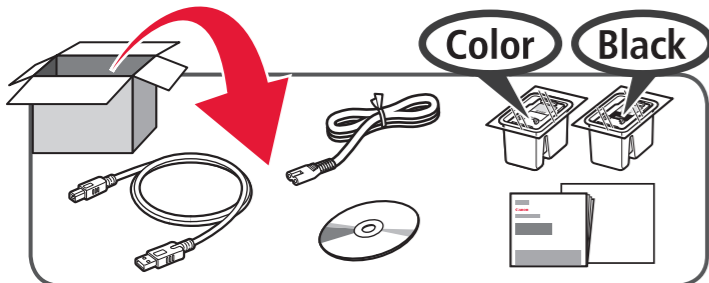
Canon

PIXMA E510

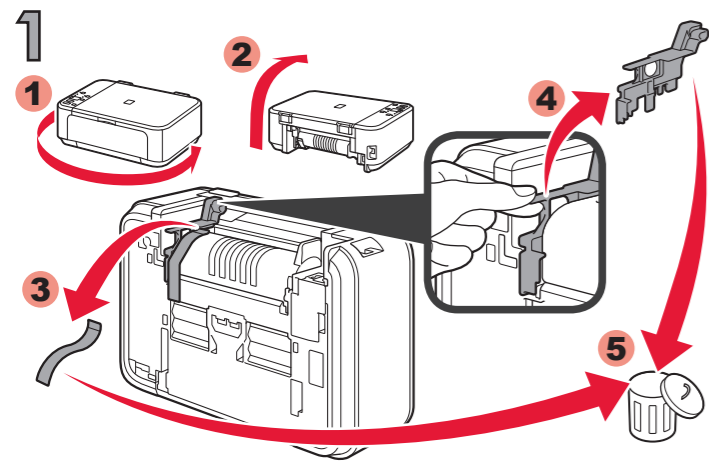
Model Number: K10380

series

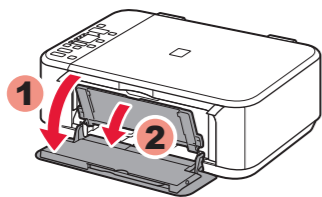
1



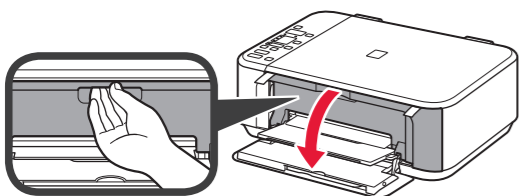
2



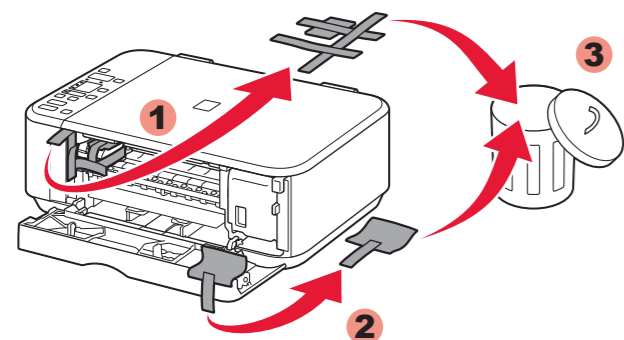
2



3

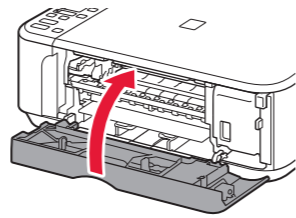


4

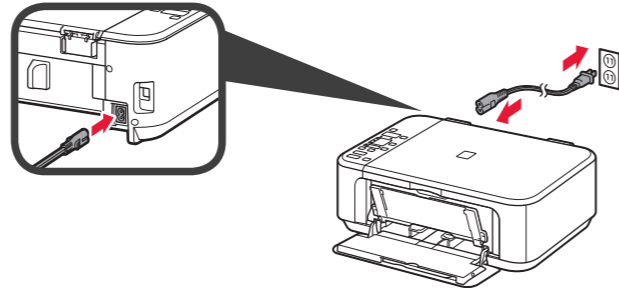


3

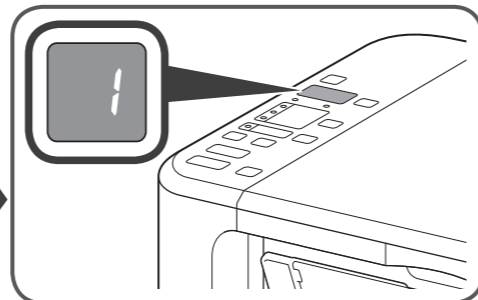
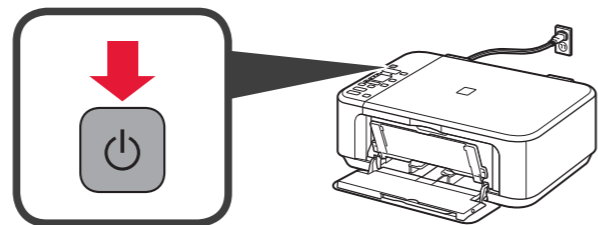
1



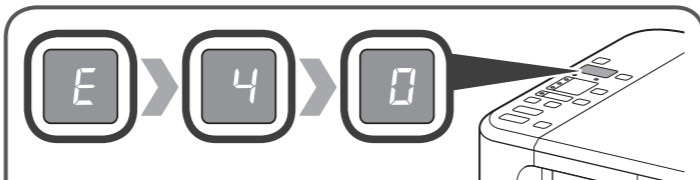
2



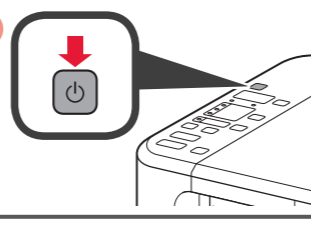
3



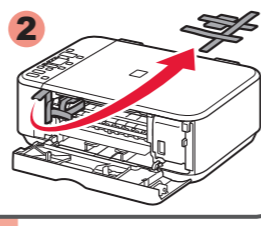
4 1



1



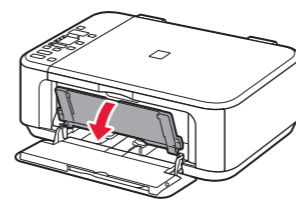
2



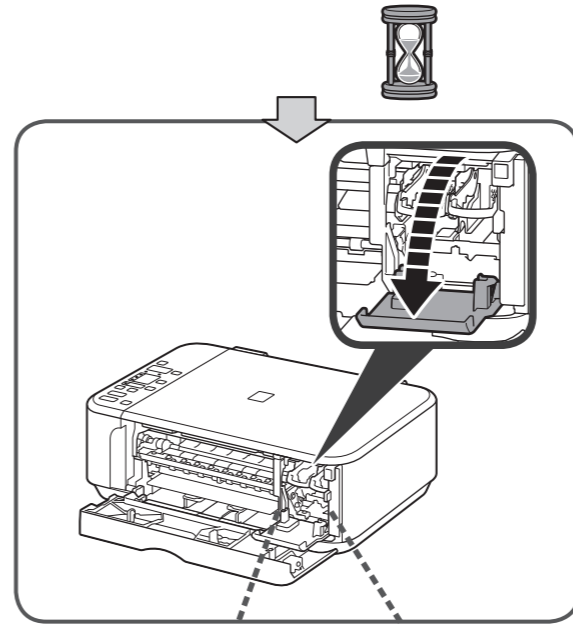
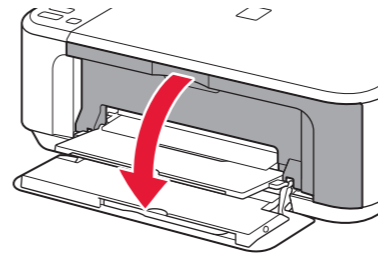
3 1

4

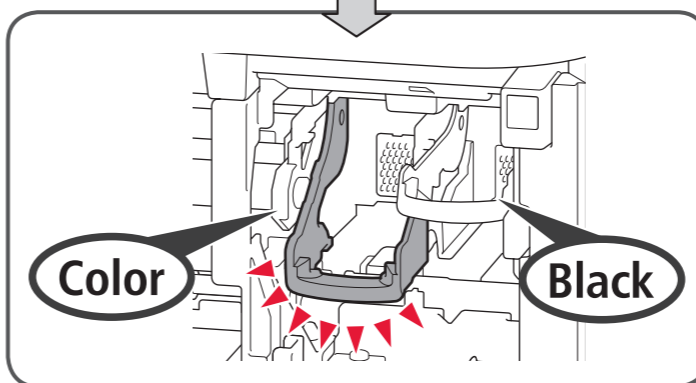
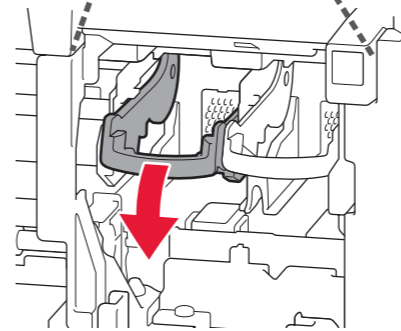
1



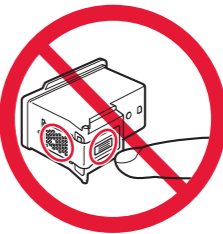
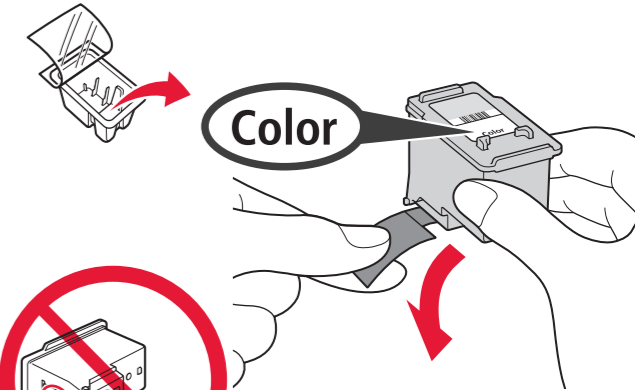
2



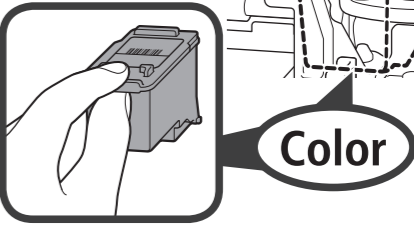
3



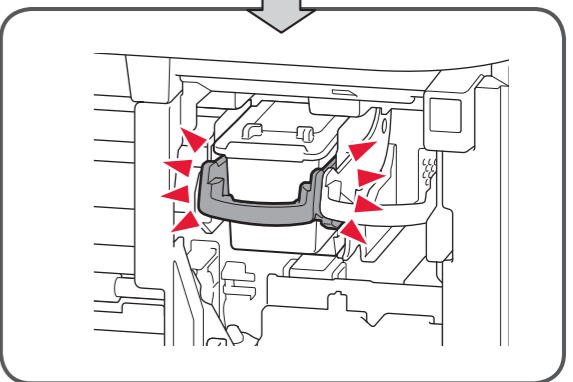
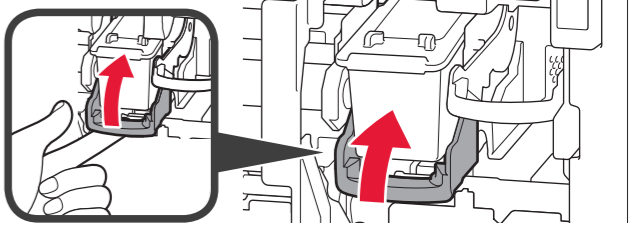
4



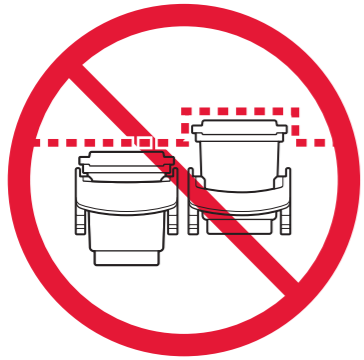
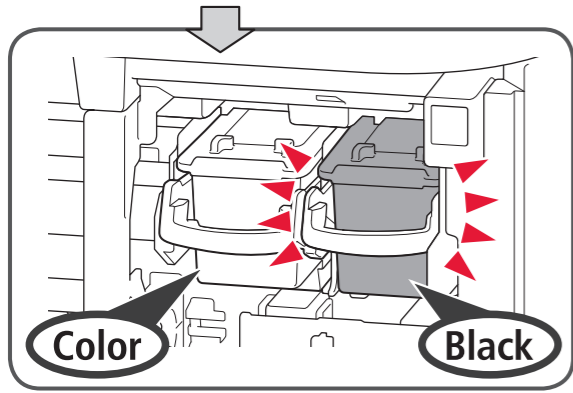
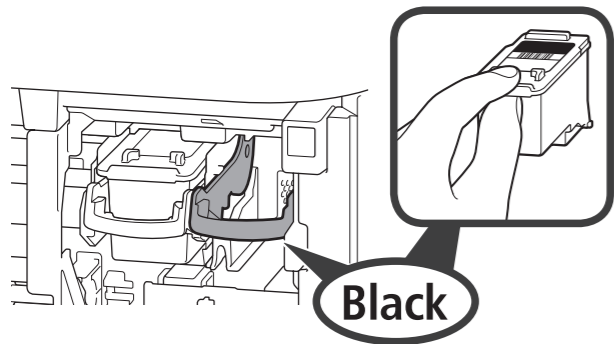
5



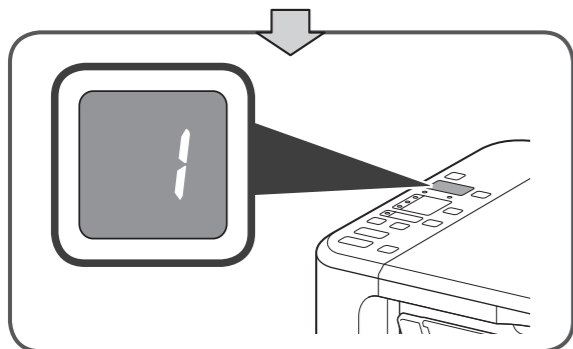
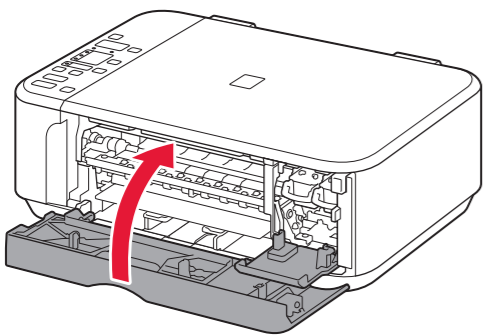
6



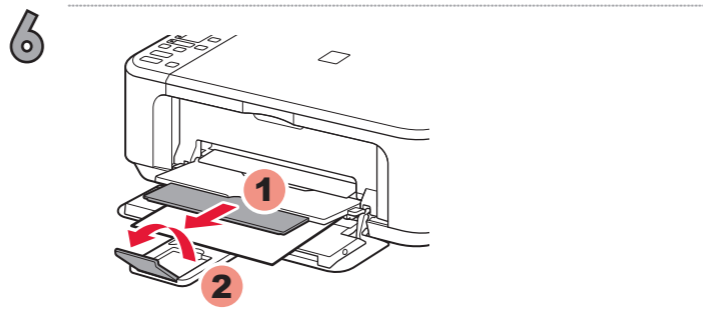
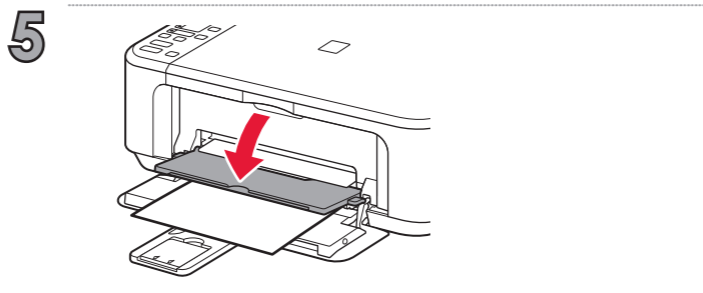
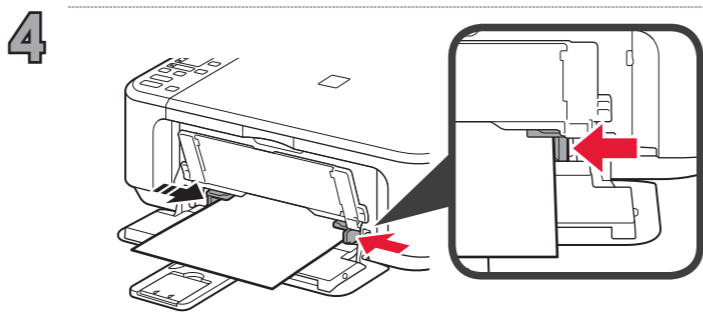
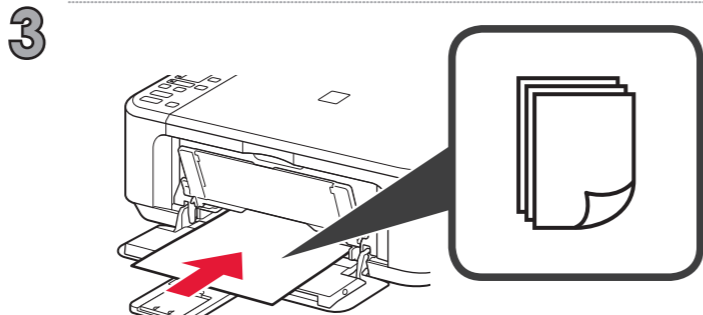
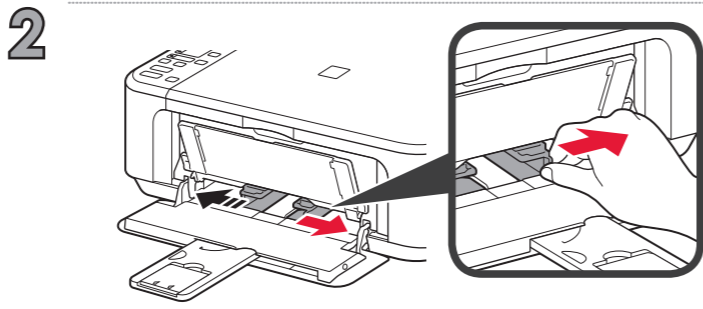
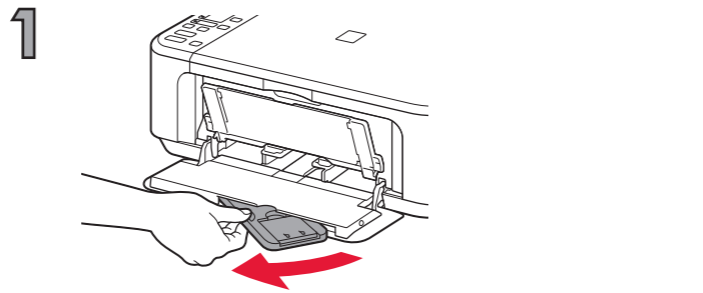
7



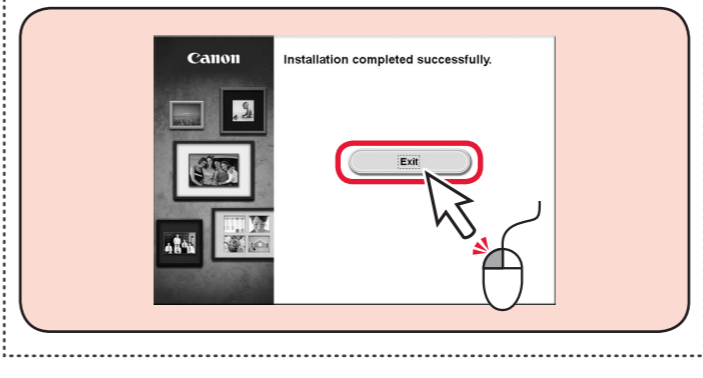
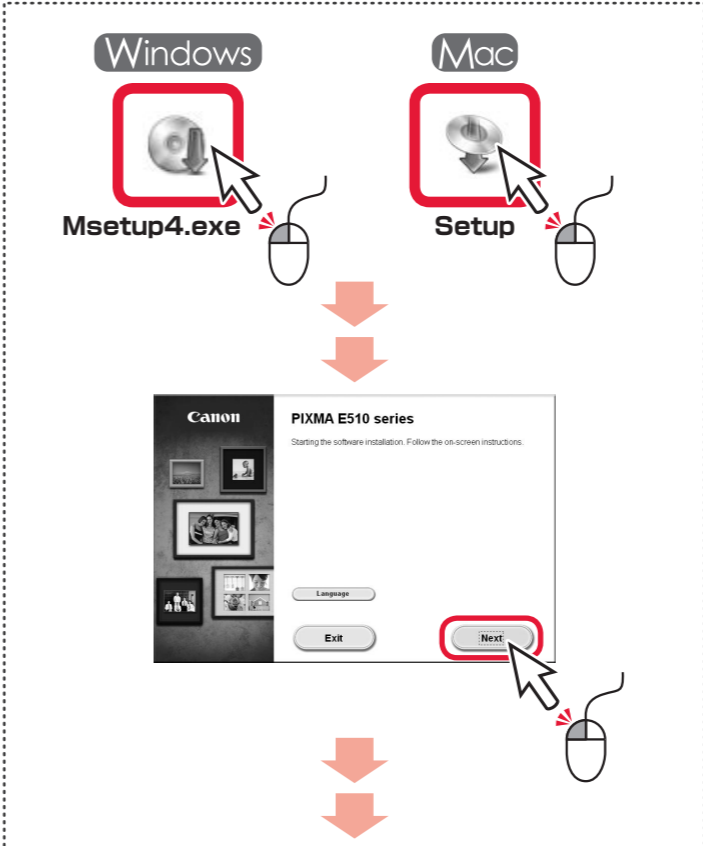
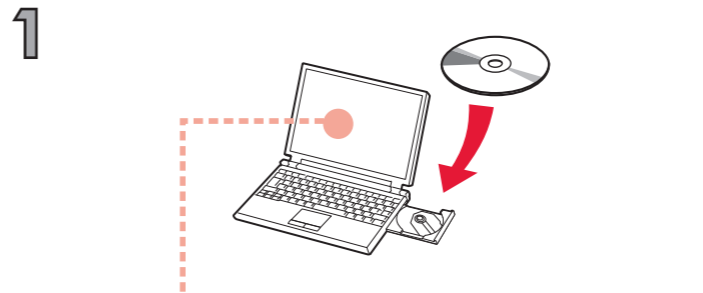
8



5

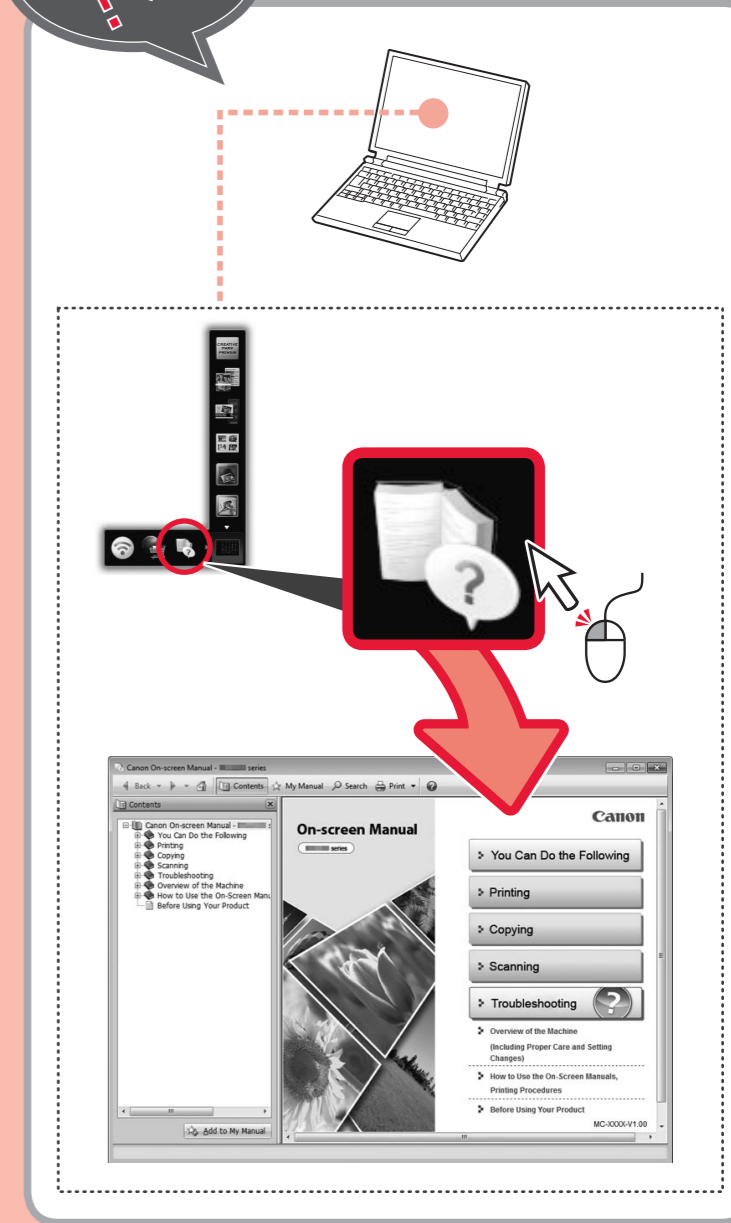
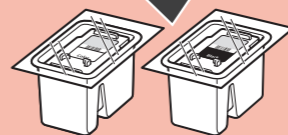


6



98
Color

88
Black



Free Manuals Download Website

<http://myh66.com>

<http://usermanuals.us>

<http://www.somanuals.com>

<http://www.4manuals.cc>

<http://www.manual-lib.com>

<http://www.404manual.com>

<http://www.luxmanual.com>

<http://aubethermostatmanual.com>

Golf course search by state

<http://golfingnear.com>

Email search by domain

<http://emailbydomain.com>

Auto manuals search

<http://auto.somanuals.com>

TV manuals search

<http://tv.somanuals.com>