

Canon

Exif Print

**BUBBLE JET
DIRECT**

PictBridge

PIXMA MP530

Quick Start Guide



BE

QT5-0204-V02

This product uses the following copyrighted software:

exit.c Copyright © 1990 The Regents of the University of California.
All rights reserved.

Redistribution and use in source and binary forms are permitted provided that the above copyright notice and this paragraph are duplicated in all such forms and that any documentation, advertising materials, and other materials related to such distribution and use acknowledge that the software was developed by the University of California, Berkeley. The name of the University may not be used to endorse or promote products derived from this software without specific prior written permission.

THIS SOFTWARE IS PROVIDED "AS IS" AND WITHOUT ANY EXPRESS OR IMPLIED WARRANTIES, INCLUDING, WITHOUT LIMITATION, THE IMPLIED WARRANTIES OF MERCHANTABILITY AND FITNESS FOR A PARTICULAR PURPOSE.

environ.c Copyright © 1995, 1996 Cygnus Support.
All rights reserved.

Redistribution and use in source and binary forms are permitted provided that the above copyright notice and this paragraph are duplicated in all such forms and that any documentation, advertising materials, and other materials related to such distribution and use acknowledge that the software was developed at Cygnus Support, Inc. Cygnus Support, Inc. may not be used to endorse or promote products derived from this software without specific prior written permission.

THIS SOFTWARE IS PROVIDED "AS IS" AND WITHOUT ANY EXPRESS OR IMPLIED WARRANTIES, INCLUDING, WITHOUT LIMITATION, THE IMPLIED WARRANTIES OF MERCHANTABILITY AND FITNESS FOR A PARTICULAR PURPOSE.

impure.c Copyright © 1994, 1997 Cygnus Solutions.
string.h All rights reserved.
_ansi.h

Redistribution and use in source and binary forms are permitted provided that the above copyright notice and this paragraph are duplicated in all such forms and that any documentation, advertising materials, and other materials related to such distribution and use acknowledge that the software was developed at Cygnus Solutions. Cygnus Solutions may not be used to endorse or promote products derived from this software without specific prior written permission.

THIS SOFTWARE IS PROVIDED "AS IS" AND WITHOUT ANY EXPRESS OR IMPLIED WARRANTIES, INCLUDING, WITHOUT LIMITATION, THE IMPLIED WARRANTIES OF MERCHANTABILITY AND FITNESS FOR A PARTICULAR PURPOSE.

PIXMA MP530

Quick Start Guide

Table of Contents

Introduction	14
Document Handling	22
Paper Handling	25
Copying	31
Printing Photographs Directly from a Compliant Device	33
Preparing Your Machine for Fax	34
Sending Faxes	41
Receiving Faxes	42
Maintenance	44

For information about the machine setup on pages 2 to 3, also refer to the *Easy Setup Instructions*.

Preparing the machine

Unpack the machine

Please confirm bundled items against the illustration printed on the lid of the packing box.

Also read the Safety Precautions in the *User's Guide*. Observe the warnings and cautions to avoid personal injury or damage to the machine.

▲ IMPORTANT


- Do not connect the USB cable until after the software is installed.
- A printer cable is not included. You must purchase a USB cable (less than 3 m / 10 ft.) to connect your machine to a computer.

1 Connect the telephone line and the power cord.

- Be sure to use the bundled telephone line cable.
- If you connect the telephone line, see “Examples of Connecting the Machine” on page 34.

UK users only

If the connector of the external device cannot be connected to the jack on the machine, you will need to purchase a B.T. adapter to connect as follows:

Connect the external device line to the B.T. adapter, then connect the B.T. adapter to the  jack.

2 Turn on the machine.

- The country selection is only available for some countries.
- If you have an undesired language or country selection, refer to the *User's Guide*.

3 Install the Print Head.

- If the Scanning Unit (Printer Cover) is left open for more than 10 minutes, the Print Head Holder moves to the right. Close and reopen the Scanning Unit (Printer Cover) to return the Holder to the center.
- There might be some transparent or light blue ink on the inside of the bag the Print Head comes in - this has no effect on print quality. Be careful not to get ink on yourself when handling these items.
- Do not reattach the protective cap once you have removed it.

4 Install the ink tanks.

- Ensure that all the ink tanks are installed in the order directed by the label. The machine cannot be used unless all the ink tanks are installed.
- For safety reasons, store ink tanks out of the reach of small children.
- Do not drop or shake ink tanks as this may cause the ink to leak out and stain your clothes and hands.
- Be sure to remove the clear film from the ink tank in the exact order as shown in step 4.
- Do not reattach the protective cap once you have removed it.
- The Alarm Lamp still lights orange if an ink tank is not installed properly. Open the Scanning Unit (Printer Cover) and make sure that all the ink tanks are installed in the correct order directed on the label.

5 Align the Print Head from the Operation Panel.

Execute automatic Print Head alignment to keep high print quality.

- When executing automatic Print Head alignment, always load paper in the Auto Sheet Feeder. You can load paper in both the Auto Sheet Feeder and Cassette when printing. For details, refer to the *User's Guide*.
- If the automatic Print Head alignment screen is not displayed, see “Aligning the Print Head Automatically” on page 47.
- When the Print Head position pattern is printed, Print Head alignment is complete.

For fax users

Select the receive mode according to your needs. See “Receive Modes” on page 42.

- If you want to receive only faxes automatically with your machine, or you have a dedicated telephone line for fax use only:
<FAX ONLY MODE>
- If you receive mainly voice calls and sometimes faxes, or you want to receive faxes manually:
<MANUAL MODE>
- If you want to receive voice messages on your answering machine and receive faxes automatically:
<ANS . MACHIN E MODE>
- If you want to receive faxes automatically as well as voice calls:
<FAX / TEL AUTO SW>
- If you have subscribed to a Distinctive Ring Pattern Detection (DRPD) service with your telephone company (US and Canada only):
<DRPD>
- If you want your machine to automatically switch between fax and voice calls by the call ring patterns (Network Switch) (This setting is not available in some countries and regions.):
<NETWORK SWITCH>



- To send a fax, you need to set the telephone line type setting properly on the machine. For details on how to confirm and change this setting, refer to the *User's Guide*.
If you are unsure of your telephone line type, contact your telephone company.

For information about the software installation on this page, also refer to the *Easy Setup Instructions*.

Install the software

Select [Easy Install] in order to install the application software, On-screen Manual and MP drivers. Select [Custom Install] in order to choose the options you would like to install.

▲ IMPORTANT

- Temporarily close any open applications, including anti-virus software. Computer security programs can be restarted after software installation.

Installing the MP Driver - Windows®

- If you have an earlier version of the MultiPASS Suite software installed on your computer, uninstall this version before installing the new version. For instructions on uninstallation, refer to the guides for that version of MultiPASS Suite.
- You must log on as an administrator or have administrative privileges in order to install the software in Windows XP or Windows 2000.
- Do not switch users during the installation process.

- If the following screen appears, the USB cable is connected.

Perform the following steps.

1. Press [ON/OFF] to turn off the machine.
2. Disconnect the USB cable.
3. Click [Cancel].



Installing the MP Driver - Macintosh®

- Do not connect the machine to Mac® OS 9 or Mac OS X Classic environments since they are not supported.
- Enter the name and password for an Administrator Account if required.

Perform the following to make sure the driver has been installed correctly

1. Select [Applications] from the [Go] menu.
2. Double-click the [Utilities] folder, then the [Printer Setup Utility] ([Print Center] when using Mac OS X v.10.2.x) icon.

If the printer is displayed in the [Printer List], the printer driver is installed.

If the printer is not displayed in the [Printer List], click [Add] in the [Printer List], select [MP530] from the [Printer Name] list, and click [Add].

When connecting from Mac OS X v.10.3.3 or earlier:

Restarting the computer while connected to the machine may cause the machine not to be detected. To resolve this, either unplug the USB cable then plug it back in again, or turn the machine OFF then back ON again.



- [MP530 FAX] is shown in the [Printer Name] list, but you cannot add [MP530 FAX]. You can fax the document with the current print settings applied to it using the computer's internal modem. You cannot send faxes from your computer via the machine.

Copyright

This manual is copyrighted by Canon Inc. with all rights reserved.

Under the copyright laws, this manual may not be reproduced in any form, in whole or in part, without the prior written consent of Canon Inc.

© 2006 Canon Inc.

Disclaimer

Canon Inc. has reviewed this manual thoroughly in order that it will be an easy-to-use guide to your Canon MP530 Series. All statements, technical information and recommendations in this manual and in any guides or related documents are believed reliable, but the accuracy and completeness thereof are not guaranteed or warranted, and they are not intended to be, nor should they be understood to be, representation or warranties concerning the products described.

Specifications are subject to change without notice.



As an ENERGY STAR partner, Canon Inc., has determined that this product meets the ENERGY STAR guidelines for energy efficiency. All information regarding non-Canon products was compiled from publicly available information. No representation is made regarding the accuracy thereof.



Super G3 is a phrase used to describe the new generation of fax machines that use ITU-T V.34 standard 33.6 Kbps* modems. Super G3 High Speed Fax machines allow transmission time of approximately 3 seconds* per page which results in reduced telephone line charges.

* Approximately 3 seconds per page fax transmission time based on Canon FAX Standard Chart (Standard Mode) at 33.6 Kbps modem speed.

The Public Switched Telephone Network (PSTN) currently supports 28.8 Kbps modem speeds or lower, depending on telephone line conditions.



This machine supports Exif 2.2 (also called “Exif Print”). Exif Print is a standard for enhancing the communication between digital cameras and printers. By connecting to an Exif Print-compliant digital camera, the camera’s image data at the time of shooting is used and optimized, yielding extremely high quality prints.



This equipment conforms with the essential requirements of EC Directive 1999/5/EC. We declare that this product conforms with the EMC requirements of EC Directive 1999/5/EC at nominal mains input 230V, 50 Hz although the rated input of the product is 200V–240V, 50/60 Hz. If you move to another EU country and are experiencing trouble please call the Canon Help Desk.

(For Europe Only)

IMPORTANT SAFETY INSTRUCTIONS

When using your telephone equipment, basic safety precautions should always be followed to reduce the risk of fire, electric shock and injury to persons, including the following:

1. Do not use this product near water, for example, near a bath tub, wash bowl, kitchen sink or laundry tub, in a wet basement or near a swimming pool.
2. Avoid using this product during an electrical storm. There may be a remote risk of electric shock from lightning.
3. Do not use this product to report a gas leak in the vicinity of the leak.

SAVE THESE INSTRUCTIONS

Model Name

K10269 (PIXMA MP530)

Trademarks

- “Windows” and “Internet Explorer” are trademarks of Microsoft Corporation, registered in the United States and other countries.
- “Macintosh” and “Mac” are trademarks of Apple Computer, Inc., registered in the U.S. and other countries.
- Specifications are subject to change without notice.

► How to Use the Documentation Provided

Easy Setup Instructions (Printed documentation):

Be sure to read this sheet first.

This sheet includes instructions for setting up your machine and getting it ready for use.

Quick Start Guide (This guide)

Read this guide when starting to use the machine.

After following instructions in the *Easy Setup Instructions*, we recommend you read this guide to familiarize yourself with the basic operation of some of the main functions that can be performed on your machine.

On-screen Manuals

User's Guide

Read this guide when starting to use the machine.

After following instructions in the *Easy Setup Instructions*, read this guide for instructions on printing from your computer, direct photo printing from selected digital cameras, copying, faxing, and scanning.

Refer to these guides as needed for full instructions on some of the more advanced features.

Scan Guide

Refer to this guide for full instructions on scanning operation and settings.

Printer Driver Guide

Refer to this guide for full instructions on setting the printer driver.

FAX Driver Guide

Refer to this guide for instructions on faxing from your computer.

Photo Application Guide

Refer to this guide for instructions on using various application software included on the Setup CD-ROM.

► How to Read the On-screen Manuals

The On-screen Manuals are manuals to be viewed on your computer. Read these manuals for detailed information on usage of the machine that is not mentioned in this document, troubleshooting, or usage of the application softwares supplied with the Setup CD-ROM, etc.

If you have not installed or have deleted the On-screen Manuals, you can install them using the Setup CD-ROM by either of the following.

- Select [Easy Install] to install the On-screen Manuals along with the MP driver and application softwares.
- Select [On-screen Manual] from [Custom Install] to install the On-screen Manuals.

For Windows:

- Browser: Windows HTML Help Viewer



- Microsoft Internet Explorer® 5.0 or later must be installed.
- The On-screen Manual may not be displayed properly depending on your operating system or Internet Explorer version. We recommend that you keep your system up to date with Windows Update.

For Macintosh:





- Browser: Help Viewer



- The On-screen Manual may not be displayed properly depending on your operating system. We recommend that you keep your system up to date.
- We recommend using Safari as your Web browser to view the HTML format On-screen Manuals. If Safari is not installed on your computer, download it from Apple Computer, Inc. website and install it.

► Reading the Document

Symbols Used in This Guide

-  **WARNING** Indicates a warning concerning operations that may lead to death or injury to persons if not performed correctly. In order to use the machine safely, always pay attention to these warnings.
-  **CAUTION** Indicates a caution concerning operations that may lead to injury to persons or damage to property if not performed correctly. In order to use the machine safely, always pay attention to these cautions.
-  **IMPORTANT** Indicates operational warnings and restrictions. Be certain to read these items to operate the machine correctly and to avoid damage to the machine.
-  Indicates notes for operation or additional explanations. Reading these is highly recommended.
1. (Operation branch-step) Used to explain each operation of a branch procedure.

Forms Used in This Guide

- [button name] Text enclosed in these brackets indicates a button on the Operation Panel of the machine or an item on the computer to be manipulated.
Example: [Color]
- <message> Text enclosed in these brackets indicates a message or selectable menu item which appears on the LCD (Liquid Crystal Display).
Example: <PHOTO PRO>, <OFF>

Terms Used in This Guide

- machine General term used to represent MP530.
- default A setting that remains in effect unless you change it.
- documents The original sheets of paper, pages of a book, or photographs you copy, fax, or scan with the machine.
- paper Paper on which you can print with the machine.
- menu A list of settings from which you select an item to set up or change. A menu has a title which appears on the LCD.

► Selecting the Language for the LCD

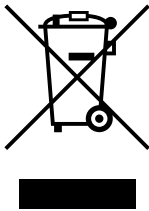
- 1 Press [Menu] to select <DEVICE SETTINGS>.
- 2 Use [◀] or [▶] to select <OTHERS>, then press [OK].
- 3 Use [◀] or [▶] to select <LANGUAGE SETTING>, then press [OK].
- 4 Use [◀] or [▶] to select the language, then press [OK].

► Legal Limitations on Use of Your Product and Use of Images

It may be unlawful to make copies of, scan, print or use reproductions of the following documents. The list provided is non-exhaustive. When in doubt, check with a legal representative in your jurisdiction.

- Paper money
- Money orders
- Certificates of deposit
- Postage stamps (canceled or uncanceled)
- Identifying badges or insignias
- Selective service or draft papers
- Checks or drafts issued by governmental agencies
- Motor vehicle licenses and certificates of title
- Traveler's checks
- Food stamps
- Passports
- Immigration papers
- Internal revenue stamps (canceled or uncanceled)
- Bonds or other certificates of indebtedness
- Stock certificates
- Copyrighted works/works of art without permission of copyright owner

► European Union (and EEA) only.



This symbol indicates that this product is not to be disposed of with your household waste, according to the WEEE Directive (2002/96/EC) and your national law. This product should be handed over to a designated collection point, e.g., on an authorized one-for-one basis when you buy a new similar product or to an authorized collection site for recycling waste electrical and electronic equipment (EEE). Improper handling of this type of waste could have a possible negative impact on the environment and human health due to potentially hazardous substances that are generally associated with EEE. At the same time your cooperation in the correct disposal of this product will contribute to the effective usage of natural resources. For more information about where you can drop off your waste equipment for recycling, please contact your local city office, waste authority, approved WEEE scheme or your household waste disposal service.

For more information regarding return and recycling of WEEE products, please visit www.canon-europa.com/.

(EEA: Norway, Iceland and Liechtenstein)

► Users in Canada

Pre-Installation Requirements for Canon Facsimile Equipment

A. Location

Supply a suitable table, cabinet, or desk for the machine. See the Appendix for the machine's specific dimensions and weight.

B. Order Information

1. Provide only a single line touch-tone or rotary telephone set terminated with a standard 6-pin modular telephone plug. (Touch-tone is recommended if available in your area.)
2. Order a CA11A modular wall jack, which should be installed by the telephone company. If the CA11A modular wall jack is not present, installation cannot occur.
3. Order a normal business line from your telephone company's business representative. The line should be a regular voice grade line or an equivalent one. Use one line per machine.
DDD (Direct Distance Dial) line
-or-
IDDD (International Direct Distance Dial) line if you communicate overseas



- Canon recommends an individual line following industry standards, such as the 2500 (touch-tone) or 500 (rotary/pulse dial) telephones. A dedicated extension off a PBX (Private Branch Exchange) unit without "Call Waiting" can be used with your facsimile unit. Button telephone systems are not recommended because they send non-standard signals to individual telephones for ringing and special codes, which may cause a fax error.

C. Power Requirements

The power outlet should be a two-prong grounded receptacle (Single or Duplex). It should be independent from copiers, heaters, air conditioners or any electric equipment that is thermostatically controlled. The rated value is 120 volts and 15 amperes. The CA11A modular jack should be relatively close to the power outlet to facilitate installation.

Notice

This equipment meets the applicable Industry Canada terminal Specifications.

Avis

Le présent matériel est conforme aux spécifications techniques applicables d'Industrie Canada.

Before installing this equipment, users should ensure that it is permitted to be connected to the facilities of the local telecommunications company. The equipment must also be installed using an acceptable method of connection. In some cases, the company's inside wiring associated with a single-line individual service may be extended by means of a certified connector assembly (telephone extension cord). The customer should be aware that compliance with the above conditions may not prevent degradation of service in some situations.

The Ringer Equivalence Number is an indication of the maximum number of devices allowed to be connected to a telephone interface. The termination on an interface may consist of any combination of devices subject only to the requirement that the sum of the RENs of all the devices does not exceed five.

Even if the dual-line option is installed, the REN is applicable to each port.

Avis

L'indice d'équivalence de la sonnerie (IES) sert à indiquer le nombre maximal de terminaux qui peuvent être raccordés à une interface téléphonique. La terminaison d'une interface peut consister en une combinaison quelconque de dispositifs, à la seule condition que la somme d'indices d'équivalence de la sonnerie de tous les dispositifs n'excède pas 5.

Repairs to certified equipment should be made by an authorized Canadian maintenance facility designated by the supplier. Any repairs or alterations made by the user to this equipment, or equipment malfunctions, may give the telecommunications company cause to request the user to disconnect the equipment.

Users should ensure for their own protection that the electrical ground connections of the power utility, telephone lines and internal metallic water pipe system, if present, are connected together. This precaution may be particularly important in rural areas.

▲ CAUTION

- **Users should not attempt to make such connections themselves, but should contact the appropriate electric inspection authority, or electrician, as appropriate.**
- **This Class B digital apparatus meets all requirements of the Canadian Interference-Causing Equipment Regulations.**
- **Cet appareil numérique de la classe B respecte toutes les exigences du Règlement sur le matériel brouilleur du Canada.**

Customer Technical Supports

Canon Canada Inc., offers a full range of customer technical support* options:

- For interactive troubleshooting, e-mail technical support, the latest driver downloads and answers to frequently asked questions (www.canon.ca)
- Free live technical support Mon - Fri 9am-8pm EST (excluding holidays) for products still under warranty (1-800-OK-CANON)
- The location of the authorized service facility nearest you (1-800-OK-CANON)

If the problem cannot be corrected by using one of the above technical support options, repair options are available at the time of your call to the Free live technical support number above or via the website at www.canon.ca

* Support program specifics are subject to change without notice.

CANON CANADA INC.

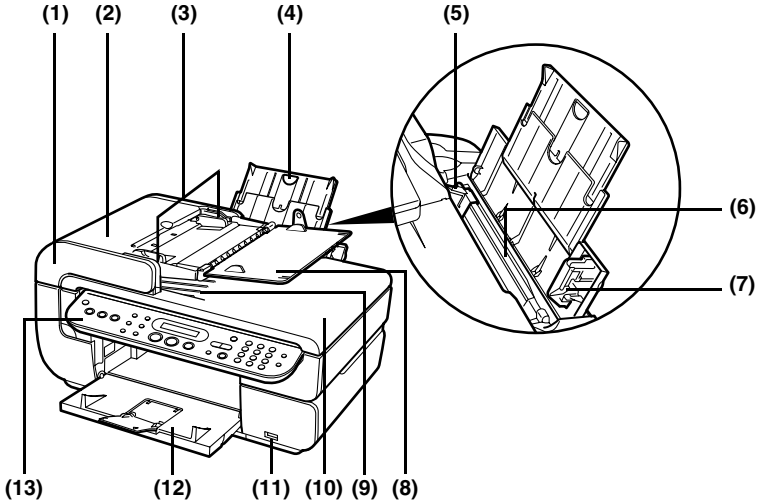
1-800-OK-CANON (1-800-652-2666)

<http://www.canon.ca>

1 Introduction

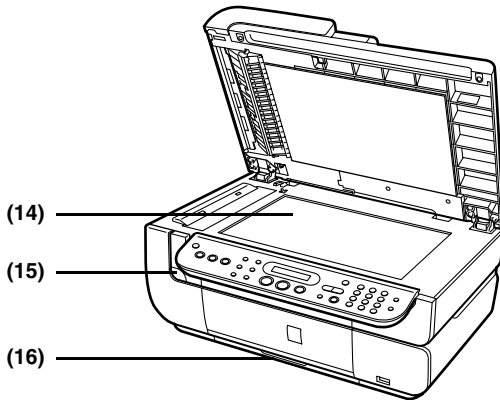
► Main Components and Their Functions

Front View



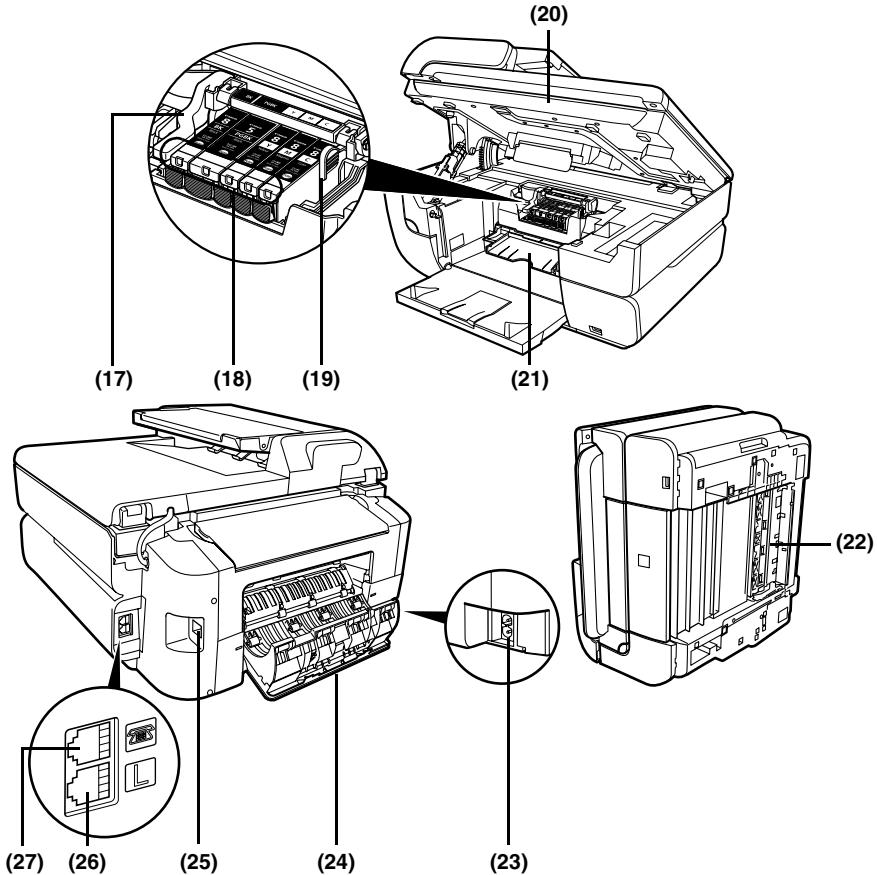
- | | |
|---|---|
| <p>(1) ADF (Auto Document Feeder)</p> <p>(2) Feeder Cover</p> <p>(3) Document Guides</p> <p>(4) Paper Support</p> <p>(5) Paper Guide</p> | <p>Automatically scans in documents loaded in the Document Tray.</p> <p>Open this cover when clearing jammed documents.</p> <p>Adjust these guides to match the document width.</p> <p>Supports paper loaded on the tray. Extend it before loading paper by putting your finger in the rounded hollow and pulling out the extension until it stops.</p> <p>When loading paper, ensure that the left edge just touches this guide. To move the Paper Guide, pinch the knob and slide in the appropriate direction.</p> |
|---|---|

- (6) **Auto Sheet Feeder** Load paper here before printing. Paper feeds automatically, one sheet at a time.
- (7) **Cover Guide** Align the right side of the paper to this guide.
- (8) **Document Tray** Open this tray to load a document. Once loaded, the document is fed one page at a time. Load the document with the side you want to scan face up.
- (9) **Document Output Slot** Documents scanned from the Document Tray are delivered here.
- (10) **Document Cover** Open this cover when loading a document on the Platen Glass.
- (11) **Direct Print Port** Connect the USB cable when printing directly from a digital camera or a digital video camcorder or a mobile phone equipped with a camera compatible with PictBridge or Canon Bubble Jet Direct. See “Printing Photographs Directly from a Compliant Device” in the *User’s Guide*.
- (12) **Paper Output Tray** Printouts are output to this tray. It opens automatically when copying or printing is started. If it is closed, press the Open Button.
- (13) **Operation Panel** Used to change the settings or operate the machine. See “Operation Panel Name and Functions” on page 18.



- (14) **Platen Glass** Used to load a document to be processed.
- (15) **Open Button** Press this button to open the Paper Output Tray.
- (16) **Cassette** Load paper to be used regularly here. Paper feeds automatically, one sheet at a time.
Photo Stickers and 54.0 x 86.0 mm / 2.13" x 3.39" size paper are not loadable in the Cassette.

Rear View and Interior



(17) Print Head Lock Lever Used to fix the Print Head.

▲ IMPORTANT

• Do not pull up this lever after installing the Print Head.

- (18) Ink Lamp** Lights or flashes red to indicate the status of the ink tank. You can check the status of each ink tank according to the way its lamp flashes.
- (19) Print Head Holder** Used to install a Print Head.
- (20) Scanning Unit (Printer Cover)** This is the unit used to scan documents. Open this unit when replacing the ink tanks, or clearing jammed paper.
- (21) Inner Cover** Open this cover when replacing the ink tanks, or clearing jammed paper. Also, open it and set the CD-R tray, when printing on a DVD/CD.
- (22) Duplexing Transport Unit** Open this unit when clearing jammed paper after pulling out the Cassette.
- (23) Power Cord Connection** This is the connector used to connect the provided power cord.

(24)Rear Cover

Open this cover when clearing jammed paper.

(25)USB Port

This is the connector used to connect the machine to a computer using a USB cable.

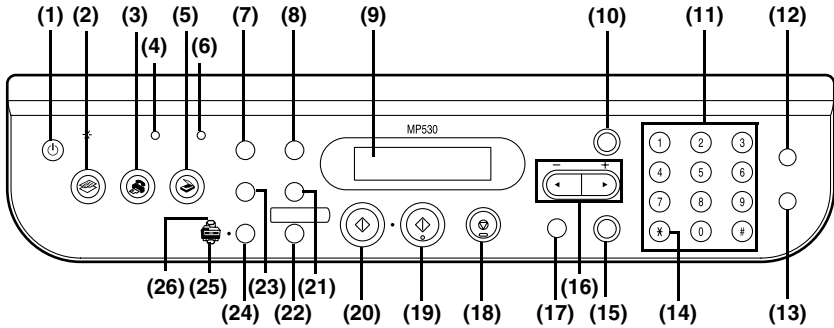
▲ IMPORTANT

- **While the machine is printing from or scanning images to the computer, or the computer is in the sleep mode or standby mode, do not disconnect and connect the USB cable.**

(26)Telephone Line Jack Connect the telephone line here.

(27)External Device Jack Connect the external device here.

Operation Panel Name and Functions



- | | |
|----------------------------------|---|
| (1) [ON/OFF] | Turns the machine ON and OFF. Before turning ON the machine, make sure the Document Cover is closed. |
| (2) [COPY] | Switches the machine to the Copy mode. Flashes when the machine is turned on. |
| (3) [FAX] | Switches the machine to the Fax mode. |
| (4) In Use/Memory Lamp | Flashes when the telephone line is in use. Lights when there are documents stored in the machine's memory. |
| (5) [SCAN] | Switches the machine to the Scan mode. This button is used when the machine is connected to a computer (Refer to the <i>Scan Guide</i>). |
| (6) Alarm Lamp | Lights or flashes orange, when an error occurs, or when paper or ink has run out. |
| (7) [Exposure] | Sets the copy intensity and fax intensity. |
| (8) [Enlarge/Reduce] | Sets the reduction or enlargement ratio for copying. |
| (9) LCD (Liquid Crystal Display) | Displays messages, menu selections, and the operation status. |
| (10)[Menu] | Displays menus to configure copy, fax, or machine settings. |
| (11)Numeric Buttons | Enters numerical values such as the number of copies, as well as fax/telephone numbers and characters. |
| (12)[Redial/Pause] | Redials the last dialed number using numeric buttons. Also enters pauses between or after numbers when dialing or registering numbers. |
| (13)[Coded Dial] | Press this button and a two-digit code to dial a pre-registered fax/telephone number. |
| (14)[Tone] | Switches temporarily to tone dialing. Also changes the mode when entering characters. |

- (15)[OK]** Finalizes your selection for the menu or setting item.
Restores the machine to normal operation after a printing error was resolved, or if paper jams are cleared. Ejects documents remaining in the ADF.
- (16)[(-)◀] and [▶(+)]** Scrolls through menu selections, and increases or decreases the number of copies. For the fax settings, [◀] cancels the entered character, and [▶] enters a space between characters.
- (17)[Back]** Returns to the previous screen.
- (18)[Stop/Reset]** Cancels operations. If this button is pressed during printing, the machine aborts printing. Resets the settings for the number of copies, for the ratio of reduction/enlargement, for the intensity, and on <1 . SPECIAL COPY>. Also enables you to return to the standby screen after you set some menus.
- (19)[Color]** Starts color copying or faxing.
- (20)[Black]** Starts black & white copying or faxing.
- (21)[Paper]** Sets the page size and media type for copying, and for received faxes.
- (22)[Two-Sided]** Selects two-sided copying.
- (23)[Image Quality]** Sets the copy resolution and fax resolution.
- (24)[Feed Switch]** Selects the paper source. Press this toggle switch to change the paper source between the Auto Sheet Feeder and Cassette.
- (25)Cassette Lamp** Lights when the Cassette is selected.
- (26)Auto Sheet Feeder Lamp** Lights when the Auto Sheet Feeder is selected.

► Menu List

In [COPY], [FAX], and [SCAN], pressing [Menu] enables you to display the items such as functions you can use in each mode, settings common to each mode, or maintenance.

The display items in each mode are listed as shown.

■ COPY

1.SPECIAL COPY

- 2-ON-1
- 4-ON-1
- STICKER COPY
- BORDERLESS COPY
- IMAGE REPEAT
- COLLATED COPY

2.FAX SETTINGS

See “1.FAX SETTINGS” in [FAX].

3.DEVICE SETTINGS

- PRINT SETTINGS
 - QUIET MODE
 - PREVENT ABRASION
 - EXTENDED AMOUNT
 - AUTO FEED SWITCH
- PICTBRIDGE SET
 - PAGE SIZE
 - MEDIA TYPE
 - PRINT QLTY
 - BORDERLESS PRINT
 - IMAGE ENHANCEMENT
- OTHERS
 - AUDIBLE TONES
 - PWR SAVE SETTING
 - COUNTRY SELECT*¹
 - LANGUAGE SETTING
- RESTORE DEFAULT
- SAVE CONFIG
- LOAD CONFIG

4.MAINTENANCE

- NOZZLE CHECK
- CLEANING
 - DEEP CLEANING
 - AUTO HEAD ALIGN
 - ALIGN PRINT HEAD
 - HEAD ALIGN PRINT
 - ROLLER CLEANING
 - BOTTOM CLEANING

■ FAX

1.FAX SETTINGS

RECEIVE MODE SET
FAX/TEL AUTO SW
FAX ONLY MODE
DRPD^{*2}
NETWORK SWITCH^{*1}
MANUAL MODE
ANS.MACHINE MODE

MEMORY REFERENCE
PRINT MEMORY LIST
PRINT DOCUMENT
DELETE DOCUMENT

PRNT REPORT/LIST
ACTIVITY REPORT
SPEED DIAL LIST
USER'S DATA LIST
MEMORY LIST

CODED DIAL REGIST
USER SETTINGS
DATE/TIME SETTING
DATE DISPLAY
SUMMER TIME SET^{*1}
UNIT TEL NUMBER
UNIT NAME
TX TERMINAL ID
OFFHOOK ALARM
VOLUME CONTROL
RX RING LEVEL
TEL LINE TYPE
ACTIVITY REPORT

TX SETTINGS
ECM TX
PAUSE TIME
AUTO REDIAL
TX START SPEED
COLOR TX
TX REPORT
DIAL TONE DETECT

RX SETTINGS
ECM RX
FAX/TEL AUTO SW
DRPD:FAX RING PAT^{*2}
INCOMING RING
MAN/AUTO SWITCH
REMOTE RX
RX IMG REDUCTION
RX START SPEED
RX REPORT

2.DEVICE SETTINGS

See "3.DEVICE SETTINGS" in [COPY].

3.MAINTENANCE

See "4.MAINTENANCE" in [COPY].

■ SCAN

1.FAX SETTINGS

See "1.FAX SETTINGS" in [FAX].

2.DEVICE SETTINGS

See "3.DEVICE SETTINGS" in [COPY].

3.MAINTENANCE

See "4.MAINTENANCE" in [COPY].

^{*1} This setting is not available in some countries and regions.

^{*2} US and Canada only.

2 Document Handling

► Document Requirements

	Platen Glass	ADF
Document type	<ul style="list-style-type: none">● Special types of paper● Photographs● Book● Documents that are not suitable for the ADF	Multipage documents of the same size, thickness, and weight
Size (W x L)	Max. 216 x 297 mm / 8.5" x 11.7"	Max. 216 x 356 mm / 8.5" x 14.0" Min. 148 x 148 mm / 5.8" x 5.8"
Quantity	1 sheet	<ul style="list-style-type: none">● Max. 30 pages of A4- or letter-size sheets (75 gsm / 20 lb paper), up to 4mm in height● Max. 10 pages of legal-size sheets (75 gsm / 20 lb paper), up to 2mm in height● 1 sheet for sizes other than these
Thickness	Max. 10 mm / 0.39"	0.06 to 0.13 mm / 0.002" to 0.005"
Weight	—	50 to 90 gsm / 13 to 24 lb

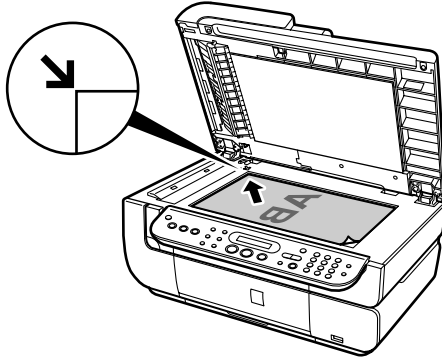
► Loading Documents

Using the Platen Glass

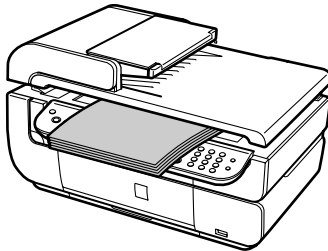
1 Open the Document Cover.

2 Load your document on the Platen Glass.

- Place your document face down on the Platen Glass.
- Align the upper left corner of your document with the alignment mark on the upper left corner of the Platen Glass.



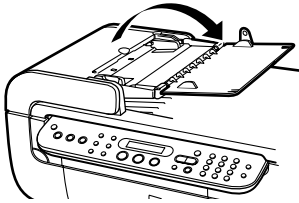
- You can also scan in originals that are up to 10 mm / 0.39" thick, such as books. Set them on the Platen Glass in the same way as documents.



3 Gently close the Document Cover.

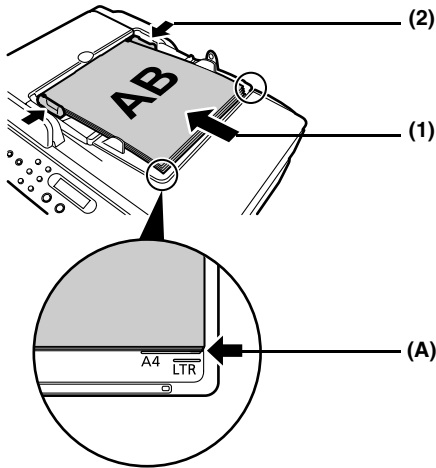
Using the ADF

- 1 Remove any documents from the Platen Glass.
- 2 Open the Document Tray.



3 Load the document in the ADF (1).

Load the document with the side you want to copy, fax, or scan face up in the ADF.



4 Adjust the Document Guides to match the document width (2).



- Ensure that the edge of the document stack is in line with the Paper Size Mark imprinted on the Document Tray (A).

3 Paper Handling

► Recommended Paper and Requirements

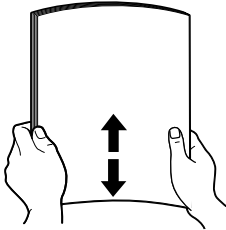
Media Type	Model	Paper Support Load Limit		Printer Driver Setting for [Media Type]
		Auto Sheet Feeder	Cassette	
Plain Paper	—	13 mm / 0.51"	13 mm / 0.51"	[Plain Paper]
High Resolution Paper	HR-101N	80 sheets (A4, Letter)	80 sheets (A4, Letter)	[High Resolution Paper]
Super White Paper	SW-201	13 mm / 0.51" (A4, Letter)	13 mm / 0.51" (A4, Letter)	[Plain Paper]
Glossy Photo Paper	GP-401	10 sheets (A4, Letter), 20 sheets (101.6 x 152.4 mm / 4" x 6", Credit Card)	10 sheets (A4, Letter), 20 sheets (101.6 x 152.4 mm / 4" x 6"), Not supported (Credit Card)	[Glossy Photo Paper]
Glossy Photo Paper “Everyday Use”	GP-501	10 sheets (A4), 20 sheets (101.6 x 152.4 mm / 4" x 6")	10 sheets (A4), 20 sheets (101.6 x 152.4 mm / 4" x 6")	[Glossy Photo Paper]
Matte Photo Paper	MP-101	10 sheets (A4, Letter), 20 sheets (101.6 x 152.4 mm / 4" x 6")	10 sheets (A4, Letter), 20 sheets (101.6 x 152.4 mm / 4" x 6")	[Matte Photo Paper]
Photo Paper Plus Double Sided	PP-101D	10 sheets (A4, Letter, 127.0 x 177.8 mm / 5" x 7")	10 sheets (A4, Letter, 127.0 x 177.8 mm / 5" x 7")	[Photo Paper Plus Double Sided]
Photo Paper Plus Glossy	PP-101	10 sheets (A4, Letter, 127.0 x 177.8 mm / 5" x 7"), 20 sheets (101.6 x 152.4 mm / 4" x 6")	10 sheets (A4, Letter, 127.0 x 177.8 mm / 5" x 7"), 20 sheets (101.6 x 152.4 mm / 4" x 6")	[Photo Paper Plus Glossy]
Photo Paper Plus Semi-gloss	SG-101	10 sheets (A4, Letter), 20 sheets (101.6 x 152.4 mm / 4" x 6")	10 sheets (A4, Letter), 20 sheets (101.6 x 152.4 mm / 4" x 6")	[Photo Paper Plus Glossy]
Photo Paper Pro	PR-101	10 sheets (A4, Letter), 20 sheets (101.6 x 152.4 mm / 4" x 6")	10 sheets (A4, Letter), 20 sheets (101.6 x 152.4 mm / 4" x 6")	[Photo Paper Pro]
Photo Stickers	PS-101	1 sheet	Not loadable	[Photo Paper Plus Glossy]
Transparencies	CF-102	30 sheets	30 sheets	[Transparencies]
T-Shirt Transfers	TR-301	1 sheet	1 sheet	[T-Shirt Transfers]
Envelopes	—	10 envelopes	5 envelopes	[Envelope]

► Auto Sheet Feeder and Cassette

Paper can be loaded into the machine at two locations: the Auto Sheet Feeder at the rear, and the Cassette at the front. To switch the paper source, press [Feed Switch]. The selected feeder is indicated on the Operation Panel.

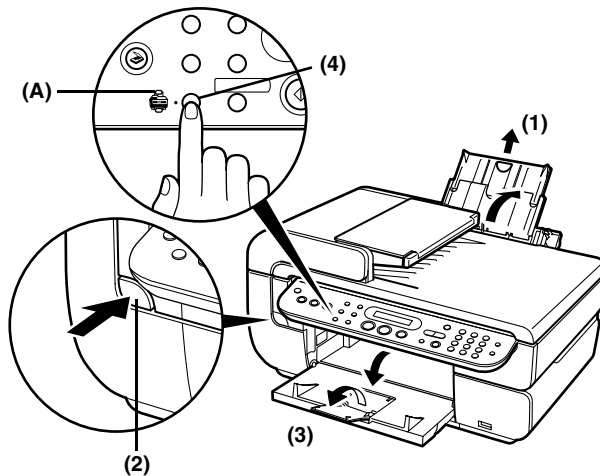
Loading the Print Media in the Auto Sheet Feeder

1 Flatten the four corners of the paper before loading it.



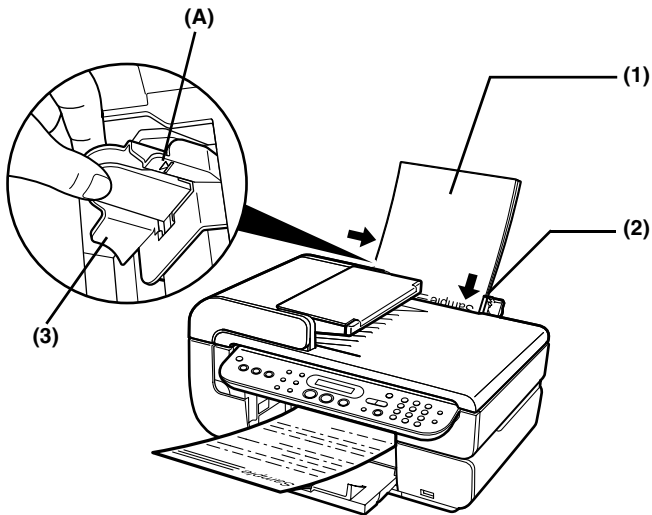
2 Prepare to load paper.

1. Open the Paper Support, then pull out the Paper Support Extension to support the paper.
2. Press the Open Button to open the Paper Output Tray.
3. Open up and set the Paper Output Tray Extension completely by pressing down the hollow on its front side.
4. Press [Feed Switch] so that the Auto Sheet Feeder Lamp (A) lights.



3 Load the paper.

1. Load the paper into the Auto Sheet Feeder with the print side face up.
2. Align the paper stack to the Cover Guide on the right side of the Paper Support.
3. Pinch the Paper Guide and slide it against the left side of the paper stack.

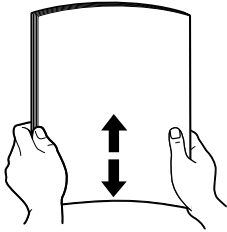


▲ IMPORTANT

- Do not load the paper beyond this Load Limit Mark (A).

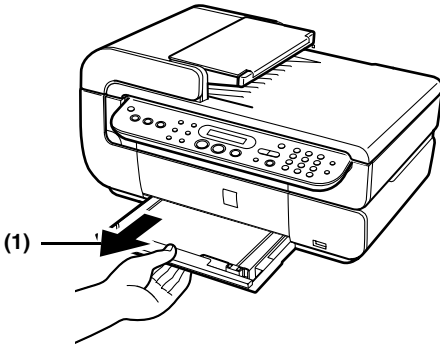
Loading the Print Media in the Cassette

- 1 Flatten the four corners of the paper before loading it.



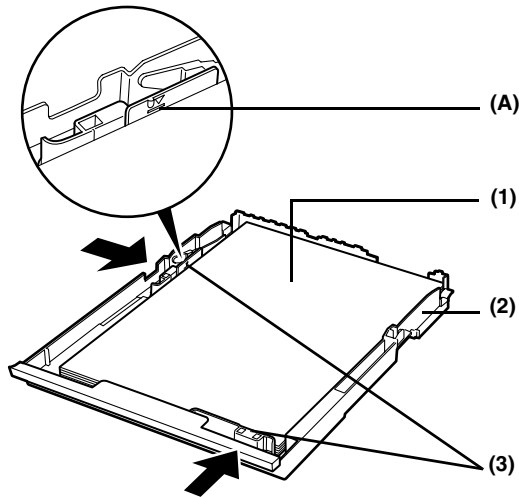
- 2 Prepare to load paper.

1. Pull out the Cassette from the machine.



3 Load the paper (Print side face down).

1. Load the paper into the Cassette with the print side face down.
2. Align the paper stack to the right side of the Cassette.
3. Slide the Paper Guides to fit the loaded paper stack.

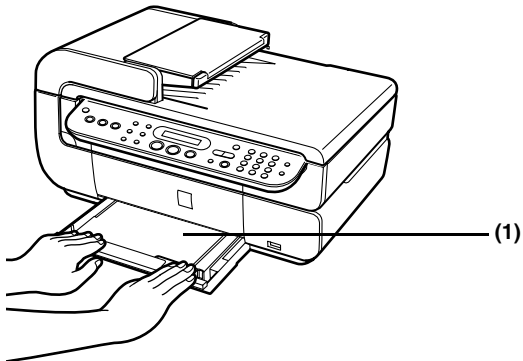


▲ IMPORTANT

- Do not load the paper beyond this Load Limit Mark (A).

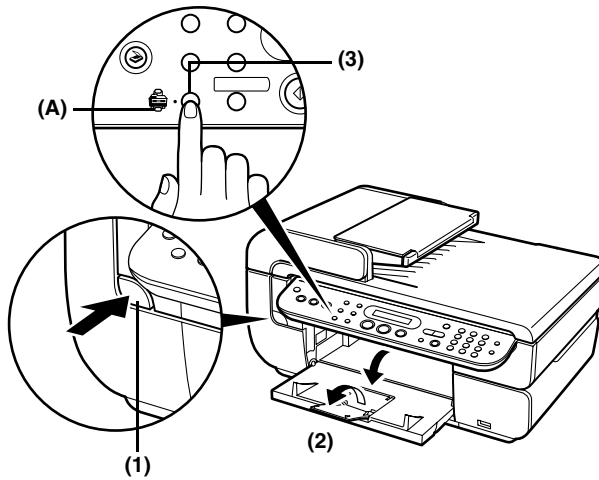
4 Insert the Cassette into the machine.

1. Push the cassette all the way into the machine.



5 Prepare the Paper Output Tray.

1. Press the Open Button to open the Paper Output Tray.
2. Open up and set the Paper Output Tray Extension completely by pressing down the hollow on its front side.
3. Press [Feed Switch] so that the Cassette Lamp (A) lights.

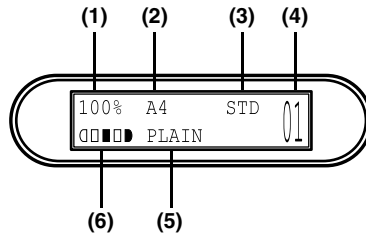


4 Copying

► Making Copies

When making color or black & white copies, you can adjust the print resolution and density. You can also change reduction or enlargement settings. For more information, refer to the *User's Guide*.

- 1 Press [ON/OFF] to turn on the machine.
- 2 Press [COPY].
- 3 Load paper.
- 4 Ensure that the proper paper source is selected.
- 5 Adjust the settings for your document as necessary.



(1) Ratio of Reduction/Enlargement

The ratio of reduction or enlargement set by using [Enlarge/Reduce] is displayed.*

(2) Page Size

The page size set by using [Paper] is displayed.*

(3) Image Quality

The print quality set by using [Image Quality] is displayed.*

(4) Number of Copies

The number of copies (max. 99 copies) specified by using [◀] button or [▶] button is displayed.

(5) Media Type

The media type set by using [Paper] is displayed.*

(6) Intensity

The intensity set by using [Exposure] is displayed.*

6 Load the document on the Platen Glass or in the ADF.

7 Press [Color] for color copying, or [Black] for black & white copying.

* For more information, refer to the *User's Guide*.

► Advanced Copy Features

Two-sided copy	Copies two document pages onto the both sides of a single sheet of paper.*
2-on-1 copy	Copies two document pages to fit onto a single page.*
4-on-1 copy	Copies four document pages to fit onto a single page.*
Creating stickers (Sticker copy)	Easily makes stickers from 101.6 x 152.4 mm / 4" x 6" photos or graphics.*
Borderless copy	Copies color or black & white images so that they fill the entire page without borders.*
Repeating an image on a page (Image repeat)	Copies an image multiple times onto a single page.*
Collated copy	When making multiple copies of a document with more than one page you have them delivered in sorted sets.*

* For more information, refer to the *User's Guide*.

5 Printing Photographs Directly from a Compliant Device

Connecting a PictBridge-compatible digital camera, camcorder or mobile phone to the machine allows you to print recorded images directly without using a computer.

► Connecting to a PictBridge Compliant Device

- 1 Press [ON/OFF] to turn on the machine.**
- 2 Load paper.**
- 3 Ensure that the proper paper source is selected.**
- 4 Ensure that the device is turned off.**
- 5 Connect the device to the machine using the USB cable supplied with the device.**

Some types of the devices turn on automatically, when connected to the machine. If the device not turns on automatically, turn it on manually.

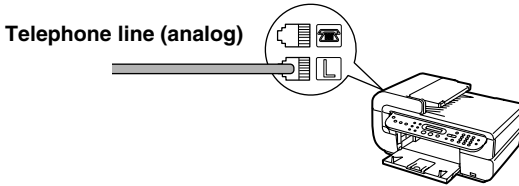
- 6 Turn on and set up the device for direct printing.**

6 Preparing Your Machine for Fax

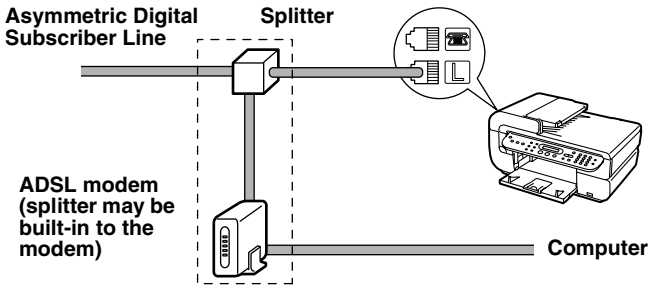
► Examples of Connecting the Machine

Connecting to the Telephone Line

Connecting to an Analog Line

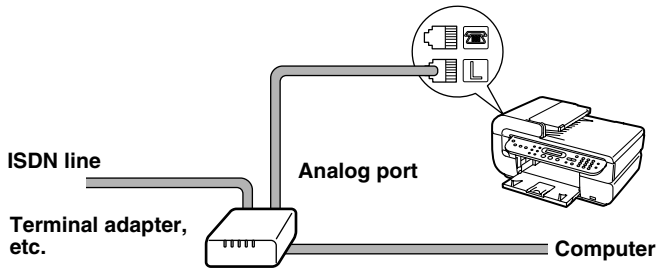


Connecting to an ADSL



For details on ADSL connection and settings, see the manual supplied with your ADSL modem. The illustrated connection is an example and is not guaranteed to suit every connecting condition.

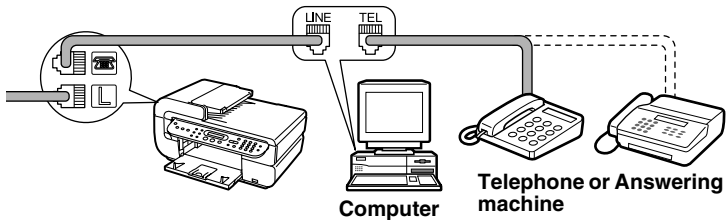
Connecting to an ISDN Line



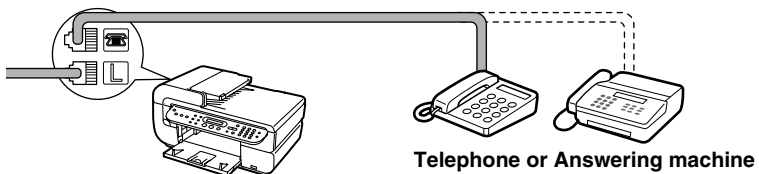
For details on ISDN connection and settings, see the manuals supplied with your terminal adapter or dial-up router.

Connecting External Devices

Connecting a Telephone or Answering Machine via a Computer



Connecting a Telephone or Answering Machine Directly



► Setting the Telephone Line Type

- 1 Press [FAX], then press [Menu].
- 2 Use [◀] or [▶] to select <USER SETTINGS>, then press [OK].
- 3 Use [◀] or [▶] to select <TEL LINE TYPE>, then press [OK].
- 4 Use [◀] or [▶] to select the telephone line type, then press [OK].
 - <TOUCH TONE>: Suitable for tone dialing.
 - <ROTARY PULSE>: Suitable for pulse dialing.
- 5 Press [Stop/Reset].

► Registering Sender Information

Entering the Date and Time

- 1 Press [FAX], then press [Menu].
- 2 Use [◀] or [▶] to select <USER SETTINGS>, then press [OK] two times.
- 3 Use the numeric buttons to enter the date and time (in 24-hour format), then press [OK].
- 4 Press [Stop/Reset].

Registering Your Fax/Telephone Number and Name (Sender Information)

- 1 Press [FAX], then press [Menu].
- 2 Use [◀] or [▶] to select <USER SETTINGS>, then press [OK].
- 3 Use [◀] or [▶] to select <UNIT TEL NUMBER>, then press [OK].
- 4 Use the numeric buttons to enter your fax/telephone number (max. 20 digits, including spaces), then press [OK] two times.
- 5 Use the numeric buttons to enter your name (max. 24 characters, including spaces), then press [OK].
- 6 Press [Stop/Reset].

► Registering Coded Speed Dialing

- 1 Press [FAX], then press [Menu].
- 2 Use [◀] or [▶] to select <CODED DIAL REGIST>, then press [OK].
- 3 Use [◀] or [▶] to select a coded speed dialing code (00 to 39), then press [OK] two times.
- 4 Use the numeric buttons to enter the fax/telephone number you want to register (max. 60 digits (40 digits for Korea), including spaces), then press [OK] two times.
- 5 Use the numeric buttons to enter a name (max. 16 characters, including spaces), then press [OK].
- 6 Press [Stop/Reset].

Changing or Deleting a Coded Speed Dialing

1. Follow the procedures from steps 1 to 3 in “Registering Coded Speed Dialing”.

To change a registered number:

2. Press and hold [◀] to delete the registered number.
3. Use the numeric buttons to enter the new number.
4. Press [OK], then press [Stop/Reset].

To change a registered name:

2. Press [OK] two times.
3. Press and hold [◀] to delete the registered name.
4. Use the numeric buttons to enter the new name.
5. Press [OK], then press [Stop/Reset].

To delete an entire entry:

2. Press and hold [◀] to delete the registered number.
3. Press [OK], then press [Stop/Reset].

The name will automatically be deleted when you delete the number.

► Setting Daylight Saving Time (Summer Time)



- This setting is not available in some countries and regions.

- 1 Press [FAX], then press [Menu].**
- 2 Use [◀] or [▶] to select <USER SETTINGS>, then press [OK].**
- 3 Use [◀] or [▶] to select <SUMMER TIME SET>, then press [OK].**
- 4 Use [◀] or [▶] to select <ON> or <OFF>, then press [OK].**
 - If you select <OFF>, go to step 14
 - If you select <ON>, go to step 5
- 5 Press [OK] two times.**
- 6 Use [◀] or [▶] to select the month when summer time starts, then press [OK] two times.**
- 7 Use [◀] or [▶] to select the week when summer time starts, then press [OK] two times.**
- 8 Use [◀] or [▶] to select the day of the week when summer time starts, then press [OK] two times.**
- 9 Use the numeric buttons to enter the time (in 24-hour format) when summer time starts, then press [OK] three times.**
- 10 Use [◀] or [▶] to select the month when summer time ends, then press [OK] two times.**
- 11 Use [◀] or [▶] to select the week when summer time ends, then press [OK] two times.**
- 12 Use [◀] or [▶] to select the day of the week when summer time ends, then press [OK] two times.**
- 13 Use the numeric buttons to enter the time (in 24-hour format) when summer time ends, then press [OK].**
- 14 Press [Stop/Reset].**

► Guidelines for Entering Numbers, Letters, and Symbols

1 Press [✖] to switch to uppercase letter mode (:A), lowercase letter mode (:a), or number mode (:1).

2 Use the numeric buttons to enter a character. Press the button repeatedly until the character you want appears.

To enter successive characters from the same numeric button:

- Press the numeric button, press [▶], then press the same numeric button again.

To enter a space:

- Press [▶] two times.
In number mode, press [▶] once.

To delete a character:

- Press [◀].

To delete an entire entry :

- Press and hold [◀].

Models with lowercase letter mode:

Button	Uppercase letter mode	Lowercase letter mode	Number mode
[1]			1
[2]	ABCĂĂĂĂĂĂĂÆÇ	abcăăăăăăăæç	2
[3]	DEFĚĚĚĚĚ	defěěěěě	3
[4]	GHĪĪĪĪĪ	ghĭĭĭĭĭ	4
[5]	JKL	jkl	5
[6]	MNOÑŃŃŃŃŃŖ	mnoññññññř	6
[7]	PQRSÞ	pqršþ	7
[8]	TUVŮÚÚÚÚ	tuvůúúúú	8
[9]	WXYZÝ	wxyzý	9
[0]			0
[#]	-.SP*#!";:~^`_=/!*?@\$%&+()[]{}<>		
[✖]	<p>Uppercase letter mode (: A) → Lowercase letter mode (: a) → Number mode (:1)</p>		

SP indicates a space.

Models without lowercase letter mode:

Button	Letter mode	Number mode
[1]		1
[2]	ABCabc	2
[3]	DEFdef	3
[4]	GHIghi	4
[5]	JKLjkl	5
[6]	MNOmno	6
[7]	PQRSpqrs	7
[8]	TUVtuv	8
[9]	WXYZwxyz	9
[0]		0
[#]	-.SP*#!",;:^`_=/!*?@\$%&+(0[]{}<>	

SP indicates a space.

7 Sending Faxes

► Sending Methods

- 1 Load the document on the Platen Glass or in the ADF.
- 2 Press [FAX].
- 3 Adjust the settings for your document as necessary.
- 4 Dial the recipient's number (DESTINATION NUMBER) using the numeric buttons or coded speed dialing.
- 5 Press [Color] for color sending, or [Black] for black & white sending.

Coded Speed Dialing

- 1 Press [Coded Dial].
- 2 Use the numeric buttons to enter the two-digit code (00-39) assigned to the number you want to dial, then press [OK].

8 Receiving Faxes

► Receive Modes

If You Want to Receive Only Faxes Automatically with Your Machine, or You Have a Dedicated Telephone Line for Fax Use Only:

Select **<FAX ONLY MODE>**.

- When you receive a fax call: The machine will receive the fax automatically.
- When you receive a voice call: You will not be able to answer the call.

If You Receive Mainly Voice Calls and Sometimes Faxes, or You Want to Receive Faxes Manually:

Select **<MANUAL MODE>**.

- When you receive a fax call: The telephone will ring. Pick up the handset and if you hear a high-pitched signal, press [Black] or [Color] on the machine to receive the fax.
- When you receive a voice call: The telephone will ring. Pick up the handset to answer the call.
- For remote receiving: If you are far from your machine, dial 25 (the remote receiving ID) on your telephone to receive faxes.

If You Want to Receive Voice Messages on Your Answering Machine and Receive Faxes Automatically:

Select **<ANS. MACHINE MODE>**.

- When you receive a fax call: First the answering machine connected to your machine will respond to an incoming call, and then the machine will receive faxes automatically.
- When you receive a voice call: The answering machine connected to your machine will respond to an incoming call.

If You Want to Receive Faxes Automatically as well as Voice Calls:

Select **<FAX/TEL AUTO SW>**.

- When you receive a fax call: The machine will receive the fax automatically.
- When you receive a voice call: The machine will ring. Pick up the telephone or answering machine connected to your machine to answer the call.

If You Have Subscribed to a Distinctive Ring Pattern Detection (DRPD) Service with Your Telephone Company (US and Canada only) :

Select <DRPD> .

- When you receive a fax call: The machine will ring according to the ring pattern you have chosen and receive the fax automatically.
- When you receive a voice call: The telephone will ring according to the ring pattern you have chosen. Pick up the handset of your answering machine to answer the call.

If you Want Your Machine to Automatically Switch between Fax and Voice Calls by the Call Ring Patterns (Network Switch) (This setting is not available in some countries and regions.):

Select <NETWORK SWITCH> .

- When you receive a fax call: The machine will ring and receive the fax automatically.
- When you receive a voice call: The machine will ring. Pick up the handset to answer the call.



- The name of this service varies depending upon a country. The typical example is as follows:
Australia: NET SWITCH
New Zealand: FAX ABILITY
Finland: Own Ringing

► Setting the Receive Mode

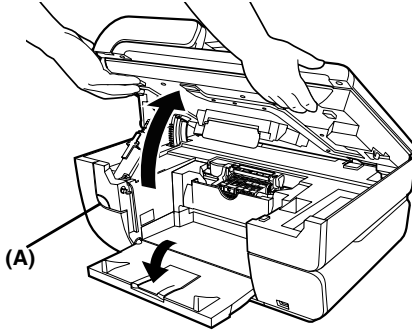
- 1 Press [FAX], then press [Menu].
- 2 Press [OK].
- 3 Use [◀] or [▶] to select the receive mode.
- 4 Press [OK].

9 Maintenance

► Replacing an Ink Tank

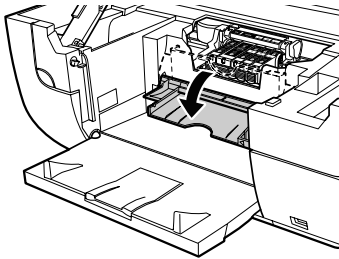
- 1 Ensure that the machine is on.
- 2 Raise the Scanning Unit (Printer Cover) until it stops.

The Paper Output Tray will open automatically and the Print Head Holder moves to the center.

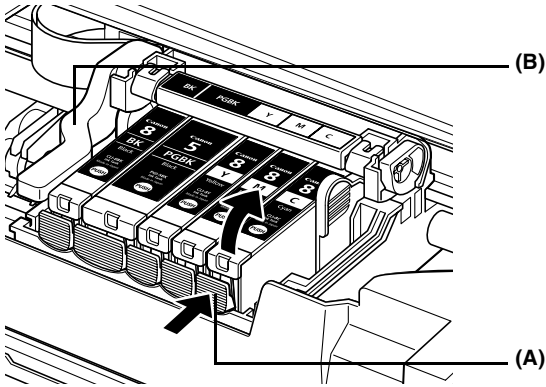


(A) Press the Open Button to open the Paper Output Tray if it does not open automatically.

- 3 Open the Inner Cover.

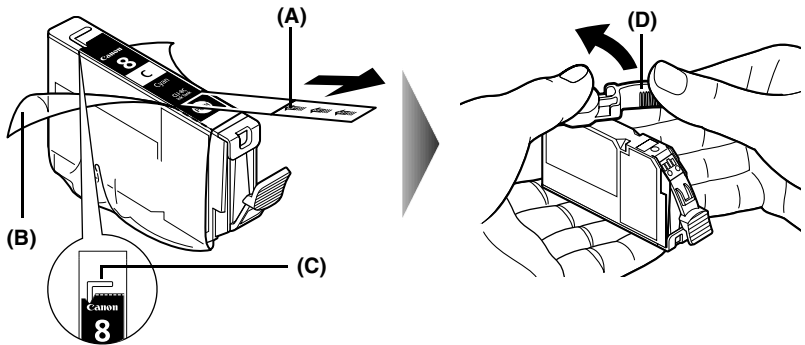


- 4** Push the tab (A) and remove the ink tank whose lamp is flashing red fast. Do not touch the Print Head Lock Lever (B). Remove only the ink tank.




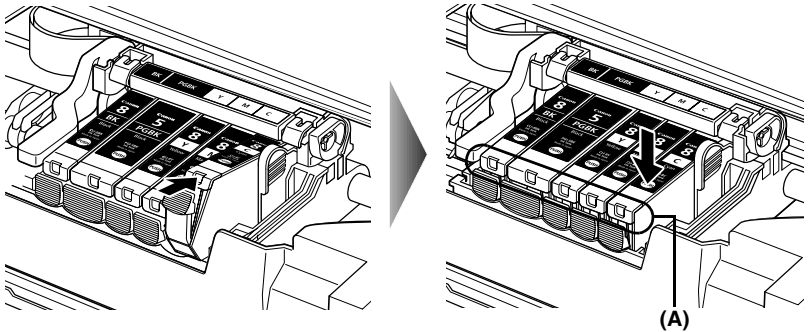
5 Prepare a replacement tank.

1. Remove the new ink tank from its packaging, then pull the orange tape (A) toward the arrow so that the protective film does not remain on the air hole (C). Then remove the film completely (B).
2. Remove the orange protective cap (D) from the bottom of the ink tank and discard it. Carefully hold the protective cap when removing it to prevent the ink from staining your fingers. Discard the cap once it is removed.

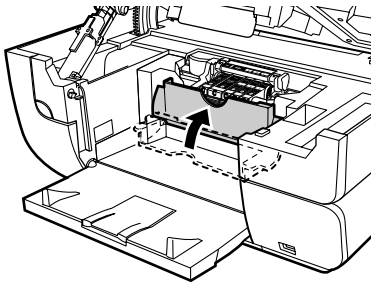


6 Install the ink tank.

1. Install the ink tank into the Print Head.
2. Press on the  mark on the ink tank until the ink tank snaps firmly into place.
3. Ensure that the ink tank clicks into place and then its lamp lights red (A).



7 Close the Inner Cover.



8 Slowly close the Scanning Unit (Printer Cover).

▲ CAUTION

- Be sure to hold the Scanning Unit (Printer Cover) firmly using both hands, and be careful not to get your fingers caught.

► Maintaining the Print Head

Cleaning the Print Head

- 1 Press [ON/OFF] to turn on the machine.
- 2 Press [Menu] repeatedly to select <MAINTENANCE>.
- 3 Use [◀] or [▶] to select <CLEANING> or <DEEP CLEANING> as necessary, then press [OK].

Aligning the Print Head Automatically

- 1 Press [ON/OFF] to turn on the machine.
- 2 Press the Open button to open the Paper Output Tray, and open up and set the extension by pressing down the hollow on its front side.
- 3 Press [Menu] repeatedly to select <MAINTENANCE>.
- 4 Load a few sheets of A4 or Letter-size plain paper in the Auto Sheet Feeder.
- 5 Use [◀] or [▶] to select <AUTO HEAD ALIGN>, then press [OK].
- 6 The pattern is printed.



Canon Inc.
Tukagoshi 3-451, Saiwai-ku, Kawasaki-shi, Kanagawa 212-8530
Japan
Phone : (044) 542-2111

Ref. No.: IJ05-014-01
Date: December 26, 2005

DECLARATION OF CONFORMITY

Printer PIXMA MP530 with AC Adapter and Ink Tank PGI-5BK, CLI-8Y/M/C/BK

We

Canon Inc.
Tukagoshi 3-451, Saiwai-ku, Kawasaki-shi, Kanagawa 212-8530, Japan

declare under our sole responsibility that the product(s)

Printer; model K10269 (Sales Name, PIXMA MP530)
Ink Tank; PGI-5BK, CLI-8Y, CLI-8M, CLI-8C and CLI-8BK
AC Adapter; K30276 (Sales Name: None)

is in conformity with the essential requirements of EC Directive(s)

1999/5/EC

by applying the following standards

EC Directive (s)	Reference of standard(s) and amendment(s)
1999/5/EC	CTR 21: 1999
	EN60950-1: 2001 with the following amendment(s) to this standard
	A11: 2004
	EN55022: 1998 with the following amendment(s) to this standard
	A1: 2000 and A2: 2003 (Class B)
	EN55024: 1998 with the following amendment(s) to this standard
	A1: 2001 and A2: 2003
	EN61000-3-2: 2000 with the following amendment(s) to this standard
	A2:2005
	EN61000-3-3: 1995 with the following amendment(s) to this standard
	A1: 2001

Note:

1. The CE Marking is affixed from the year '05.
2. The quality system covering the production is implemented according to ISO 9000-Series (EN29000-Series) or monitored based on appropriate measures.
3. Copies of the rating plate of the models (printer and AC adapter) are attached.

Keiji Kawata
Manager
IJD Safety Regulation Advancement Dept.
IJ Quality Assurance Center
Canon Inc.

Regulatory Information

For 120V, 60Hz model

Color Printer Model: K10269

This device complies with Part 15 of the FCC Rules. Operation is subject to the following two conditions: (1) This device may not cause harmful interference, and (2) this device must accept any interference received, including interference that may cause undesired operation.

Note: This equipment has been tested and found to comply with the limits for a Class B digital device, pursuant to Part 15 of the FCC Rules. These limits are designed to provide reasonable protection against harmful interference in a residential installation. This equipment generates, uses and can radiate radio frequency energy and, if not installed and used in accordance with the instructions, may cause harmful interference to radio communications.

However, there is no guarantee that interference will not occur in a particular installation. If this equipment does cause harmful interference to radio or television reception, which can be determined by turning the equipment off and on, the user is encouraged to try to correct the interference by one or more of the following measures:

- Reorient or relocate the receiving antenna.
- Increase the separation between the equipment and receiver.
- Connect the equipment into an outlet on a circuit different from that to which the receiver is connected.
- Consult the dealer or an experienced radio/TV technician for help.

Use of a shielded cable is required to comply with Class B limits in Subpart B of Part 15 of the FCC Rules.

Do not make any changes or modifications to the equipment unless otherwise specified in the manual. If such changes or modifications should be made, you could be required to stop operation of the equipment.

Canon U.S.A., Inc.
One Canon Plaza
Lake Success, NY 11042
1-516-328-5600

(For U.S.A. Only)



АЯ46



The following ink tanks are compatible with this machine.
For details on ink tank replacement, refer to “Replacing an Ink Tank” in this guide.



Free Manuals Download Website

<http://myh66.com>

<http://usermanuals.us>

<http://www.somanuals.com>

<http://www.4manuals.cc>

<http://www.manual-lib.com>

<http://www.404manual.com>

<http://www.luxmanual.com>

<http://aubethermostatmanual.com>

Golf course search by state

<http://golfingnear.com>

Email search by domain

<http://emailbydomain.com>

Auto manuals search

<http://auto.somanuals.com>

TV manuals search

<http://tv.somanuals.com>