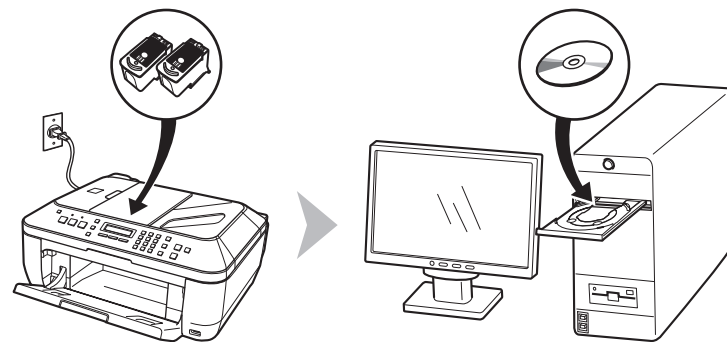




Office All-In-One  
**PIXMA MX320** series

# Getting Started

=Read Me First=



Make sure to read this manual before using the machine. Please keep it in hand for future reference.



# Contents

1 Preparation

2 Remove the Protective Material

3 Connect the Telephone Line



4 Turn the Power On



5 Install the FINE Cartridges



6 Set Up for Fax Reception

7 Install the Software



8 Loading Paper

After Installing the Machine

## ■ Symbols

The following symbols are used to mark important instructions. Observe these instructions.



Instructions that, if ignored, could result in personal injury or material damage.



Instructions that must be observed for safe operation.



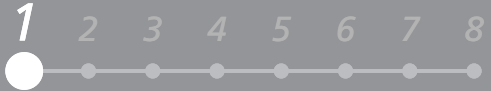
Additional explanations.



Descriptions for operations that take some time to complete.

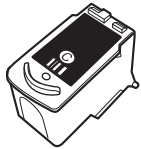
- Microsoft is a registered trademark of Microsoft Corporation.
- Windows is a trademark or registered trademark of Microsoft Corporation in the U.S. and/or other countries.
- Windows Vista is a trademark or registered trademark of Microsoft Corporation in the U.S. and/or other countries.
- Macintosh and Mac are trademarks of Apple Inc., registered in the U.S. and other countries.

# 1 Preparation

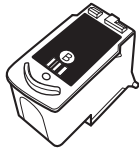


## ■ Check the Included Items

Before turning on the machine, remove all the orange tapes and the protective sheets.

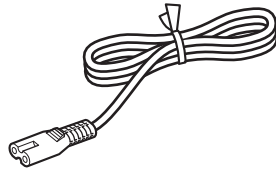


Color

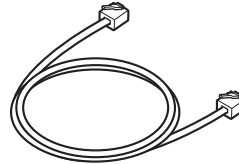


Black

FINE cartridges



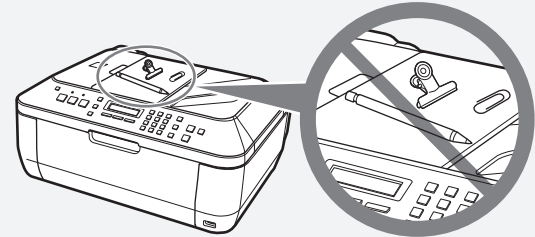
power cord



telephone line cable

- Manuals
- Setup CD-ROM (containing the drivers, applications and on-screen manuals)
- Warranty

### □ Choosing a Location



- Do not install the machine where an object may fall on it. The object may fall into the Rear Tray, resulting in malfunction.
- Do not place any object on the Document Cover. It may fall into the Rear Tray when opening the Document Cover, resulting in malfunction.

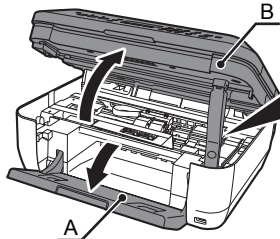


- A USB cable is necessary to connect the machine with your computer.

# 2 Remove the Protective Material

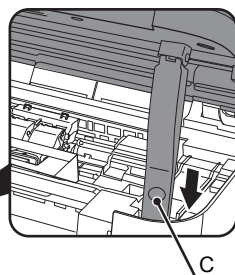


1



Open the Paper Output Tray (A).

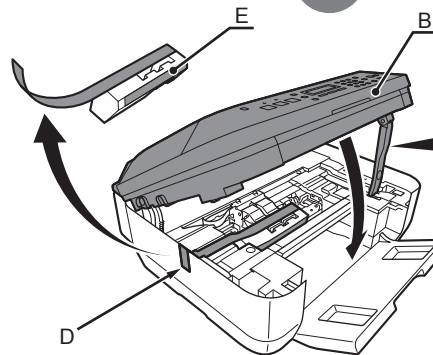
2



Lift the Scanning Unit (Cover) (B) until it locks into place.

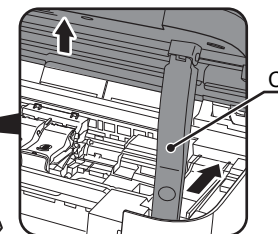
The Scanning Unit Support (C) is fixed automatically.

3



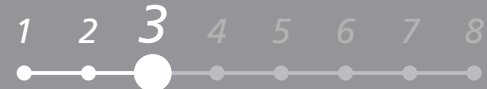
Pull the orange protective tape (D) and remove the protective material (E).

4



Then, lift the Scanning Unit (Cover) (B) slightly and fold the Scanning Unit Support (C), then gently close the Scanning Unit (Cover) (B).

# 3 Connect the Telephone Line



To use the machine as a fax, a telephone line needs to be connected. This section describes the basic method of telephone line connection.

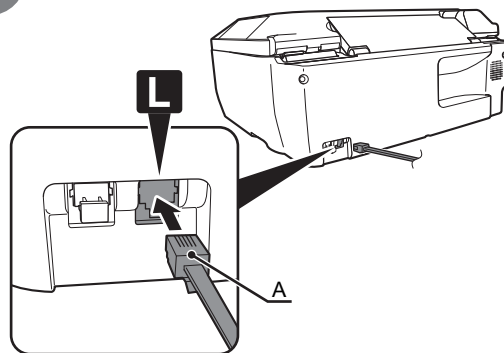
For other connection methods, refer to the on-screen manual: **Basic Guide**.

- When not using as a fax: → Go to "4 Turn the Power On" on page 4.
- When using as both a fax and telephone: → **1 2**
- When using as a fax only: → **1** only



- If you cannot send faxes after installing the machine, check the telephone line type. For details, refer to "Confirming the Telephone Line Connection" in the on-screen manual: **Basic Guide**.

**1**



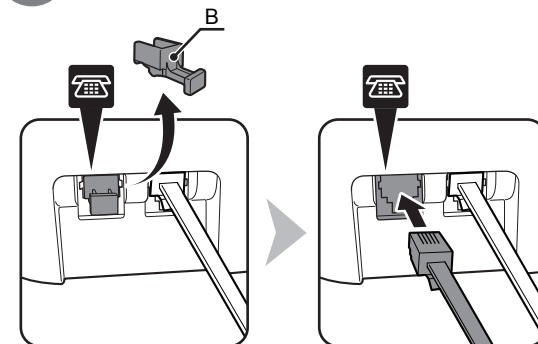
Connect the machine with a telephone line using the supplied telephone line cable (A).

When using as a fax only:

→ Go to "4 Turn the Power On" on page 4.

**2**

Only when connecting a telephone:

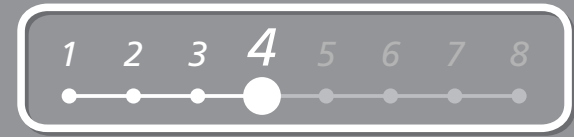


Remove the telephone connector cap (B), then connect a telephone with the telephone line cable.

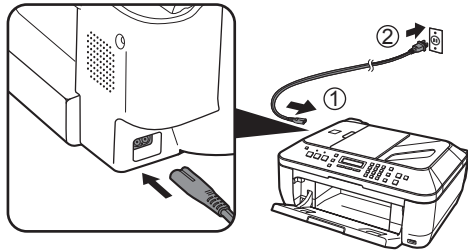


- Do not connect the machine and a telephone in parallel to the same telephone line using a distribution adapter. The machine may not operate properly.

# 4 Turn the Power On

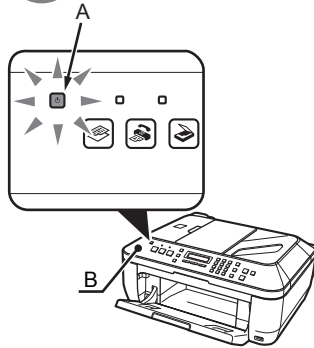


1



Plug the power cord into the left side of the machine, then connect the other end to the wall outlet.

2

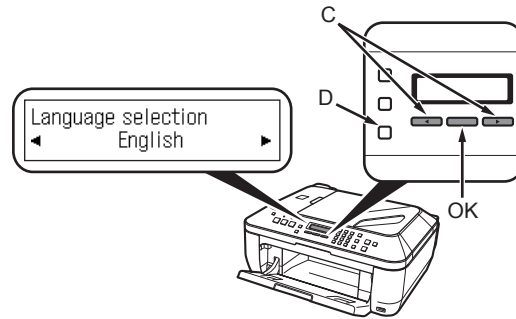


Turn on the machine (A).



- Make sure that the Document Cover (B) is closed.

3



Use the ◀ or ▶ button (C) on the Operation Panel to select the language for the LCD, then press the **OK** button.



- If an unintended language is displayed on the LCD, press the **Back** button (D) to return to the **Language selection** screen.

4

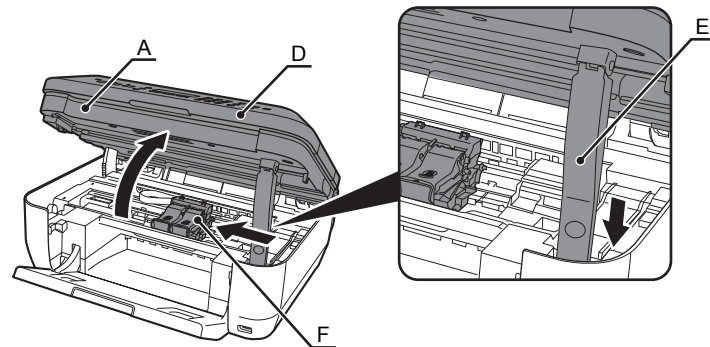
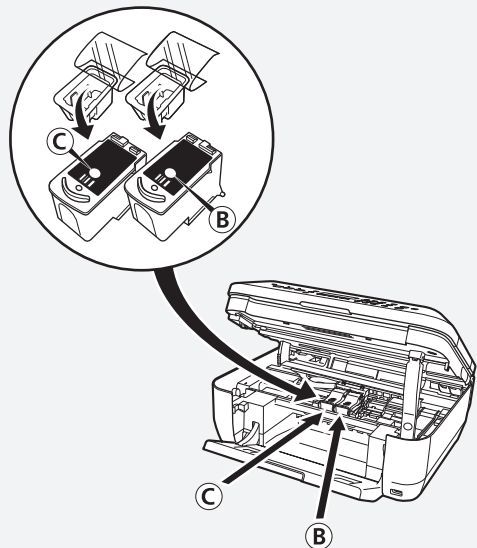
Set ink cartridge



- Do NOT connect the USB cable at this stage.

# 5 Install the FINE Cartridges

1



Lift the Scanning Unit (Cover) (A) until it locks into place.

Close the Document Cover (D) and lift it with the Scanning Unit (Cover).

The Scanning Unit Support (E) is fixed automatically.

The FINE Cartridge Holder (F) comes out. (This is where you install the cartridges.)



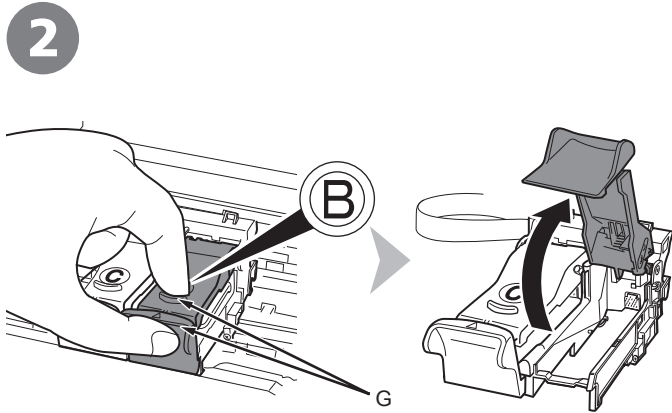
- Handle the FINE Cartridges carefully. Do not drop or apply excessive pressure to them.
- Be sure to use the supplied FINE Cartridges.



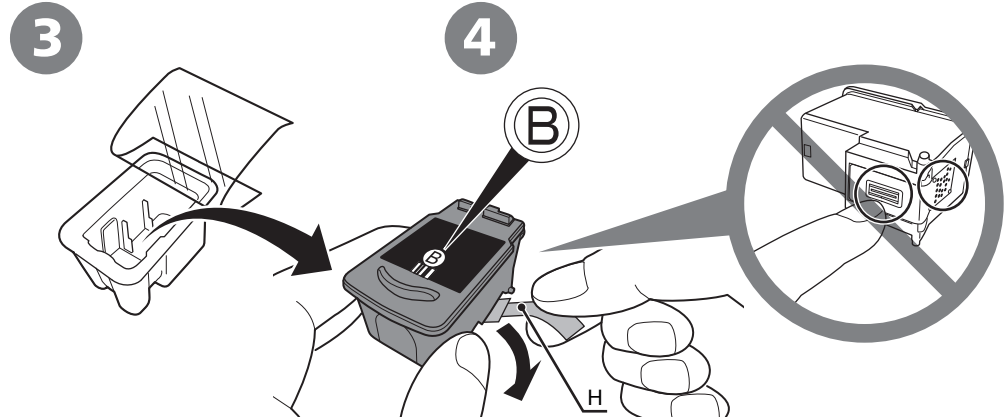
- If the FINE Cartridge Holder returns to the right, close the Scanning Unit (Cover) and reopen it.
- If the FINE Cartridge Holder does not come out, make sure that the machine is turned on.



# 5



Open the Ink Cartridge Locking Cover **B** on the right side.  
Pinch (G) firmly and pull up the cover.



Remove the Black FINE Cartridge **B** from its box.

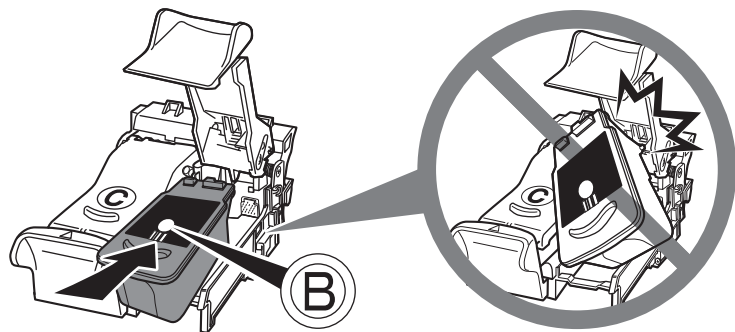
Pull the orange protective tape (H) in the direction of the arrow and remove it gently.



- Be careful not to stain your hands or surrounding work area with ink on the removed protective tape.

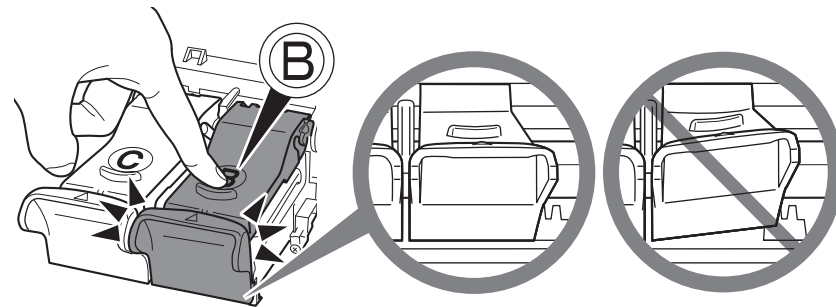


5



Place the Black FINE Cartridge (B) into the right slot (B).

6



Push down (B) of the Ink Cartridge Locking Cover until you hear a click to close it completely.

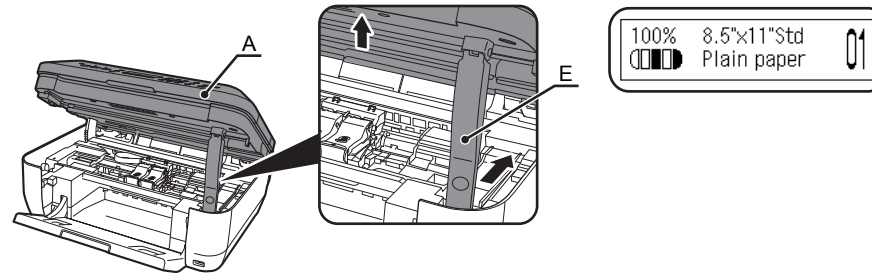
View the Ink Cartridge Cover (B) straight on and check that it is locked correctly (not at an angle).

Insert the Color FINE Cartridge (C) into the left FINE Cartridge Holder (C) in the same way.



- Do not knock the FINE Cartridge against the sides of the holder.
- Install in a well-lit environment.
- Install the Black FINE Cartridge into the right slot, and the Color FINE Cartridge into the left slot.

7



Lift the Scanning Unit (Cover) (A) slightly and fold the Scanning Unit Support (E), then gently close the Scanning Unit (Cover) (A).



- Wait until the standby screen appears on the LCD (about 1-2 minutes) and go to the next step.



- Once you have installed the FINE Cartridges, do not remove them unnecessarily.
- If an error message is displayed on the LCD, make sure that the FINE Cartridges are correctly installed.

# 6 Set Up for Fax Reception



If you are not using the machine as a fax, go to "7 Install the Software" on page 11.  
Select a receive mode according to your needs to receive faxes easily.

You can change the receive mode any time. For details, refer to the on-screen manual: **Basic Guide**.



## When using as a fax only:

When you want to receive only faxes  
(FAX only mode)

When a call arrives:

**Voice call:**  
You cannot answer the call.

**Fax call:**  
The machine does not ring.  
Faxes are received automatically.

## When using as both a fax and telephone:

When you want to switch the line  
between fax and telephone automatically  
(FAX priority mode)

When a call arrives:

**Voice call:**  
The machine rings.  
Pick up the handset, then press the  
**Stop** button to answer the call.

**Fax call:**  
The machine does not ring.  
Faxes are received automatically.

When you receive more voice calls than  
faxes (TEL priority mode)

When a call arrives:

**Voice call:**  
Pick up the handset to answer the call.

**Fax call:**  
If you pick up the handset and hear the  
fax tone, the machine will switch to the  
fax automatically and receive the fax.

If you use Distinctive Ring Pattern  
Detection (DRPD) service

When a call arrives:

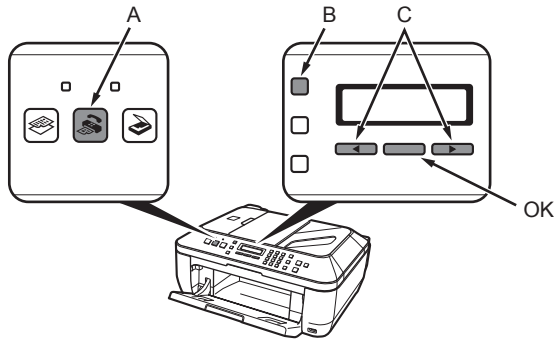
**Voice call:**  
The telephone continues to ring.  
Pick up the handset to answer the call.

**Fax call:**  
Faxes are received automatically  
when the machine detects the fax ring  
pattern.



- When a telephone is connected to the machine, the telephone rings for incoming calls regardless of the selected mode.

1



Press the **FAX** button (A), then press the **Menu** button (B).

The **FAX settings** screen is displayed.

2

Fax settings  
Receive mode set. ▶

Press the **OK** button.

The **Receive mode set.** screen is displayed.

3

Receive mode set.  
\*Fax priority mode ▶

Use the ◀ or ▶ button (C) to select a receive mode, then press the **OK** button.

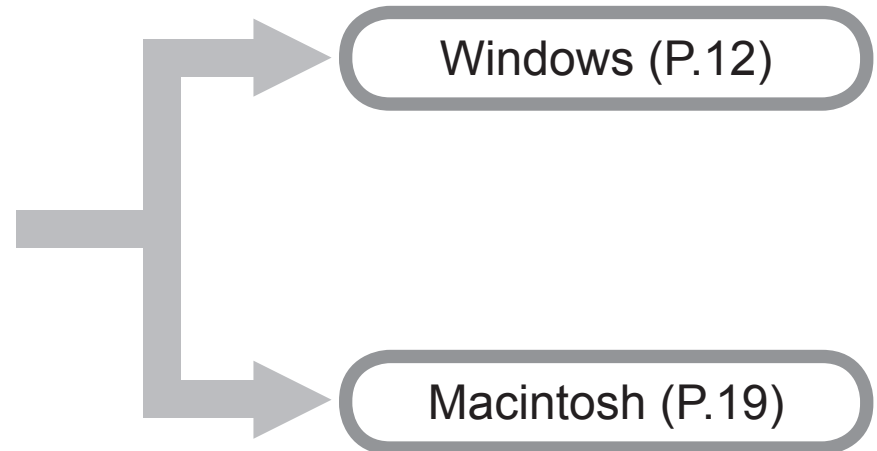
The selected receive mode is displayed.

To use the machine by connecting it to a computer, software including the drivers needs to be copied (installed) to the computer's hard disk.

The screens below are based on Windows Vista operating system Ultimate Edition (hereafter referred to as "Windows Vista") and Mac OS X v.10.5.x.



- Quit all running applications before installation.
- You need to log on as the administrator (or a member of the Administrators group).
- Do not switch users during the installation process.
- It may be necessary to restart your computer during the installation process. Follow the on-screen instructions and do not remove the **Setup CD-ROM** during restarting. The installation resumes from where it left off when your computer has been restarted.
- Mac OS 9, Mac OS X Classic environments, or Mac OS X v.10.3.8 or earlier are not supported.

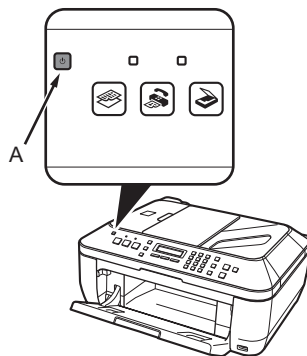


If the **Found New Hardware** or **Found New Hardware Wizard** dialog box appears:



- 1 Remove the USB cable connected to your computer.  
The dialog box may close. In this case, proceed from 1.
- 2 Click **Cancel** to quit the dialog box.
- 3 Proceed from 1.

1

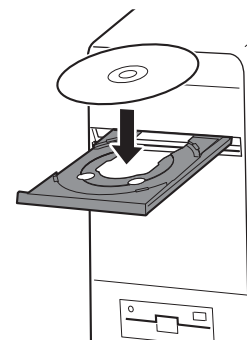


TURN OFF THE MACHINE (A).



- Operating noise continues for about 25 seconds until the machine turns off. Make sure that the **ON** button (A) stops flashing.

2



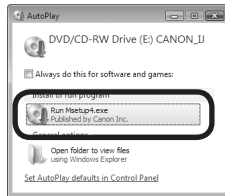
Turn on the computer, then insert the **Setup CD-ROM** into the CD-ROM drive.

The setup program should start automatically.

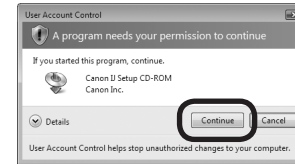
- |  |                 |  |               |
|--|-----------------|--|---------------|
|  | Windows Vista   |  | Go to Step 3. |
|  | Windows XP/2000 |  | Go to Step 5. |



- If the program does not start automatically, double-click the CD-ROM icon on the computer. When the CD-ROM contents appear, double-click **MSETUP4.EXE**.

**3** Windows Vista

**AutoPlay** screen appears, click **Run Msetup4.exe**.

**4** Windows Vista

**User Account Control** dialog box appears, click **Continue**.

If the same dialog box reappears in subsequent steps, click **Continue**.



5



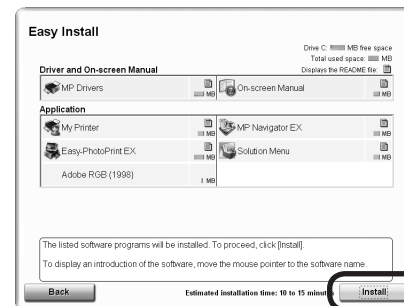
Click **Easy Install**.

Drivers, application software, and on-screen manuals are installed automatically.



- If you want to select particular items to install, click **Custom Install** and follow the on-screen instructions to proceed with the installation.

6



Click **Install**.



- Move the cursor over items to display explanations.



7



Read the **License Agreement** screen carefully and click **Yes**.

8



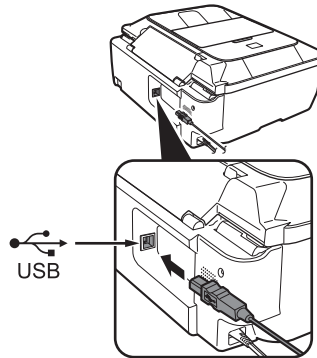
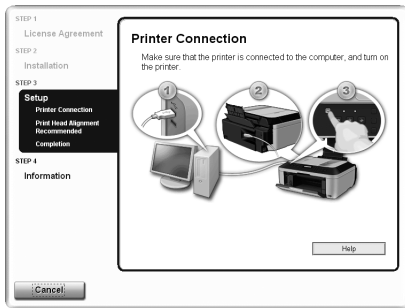
When the **Please Allow All Install Wizard Processes** screen appears, click **Next**.

Installation starts.



- During installation, follow any on-screen instructions to install the software.

9

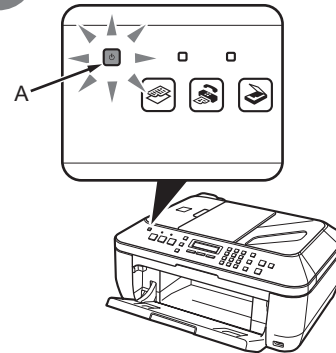


When the **Printer Connection** screen appears, connect the machine to the computer with a USB cable.



- The USB port is located on the back center of the machine.

10



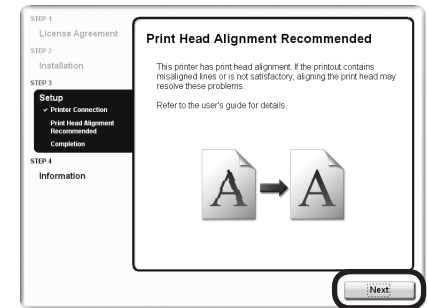
Turn on the machine (A).

When the machine is recognized by the computer, a message appears on the screen.



- If installation does not continue after 10 minutes, click **Help** on the screen in step 9, then confirm the message.

11



Click **Next**.



- If straight lines are misaligned or print quality is not satisfactory after installation, you may need to align the Print Head. Refer to “When Printing Becomes Faint or Colors Are Incorrect” in the on-screen manual: **Basic Guide**.

12



Click **Next**.

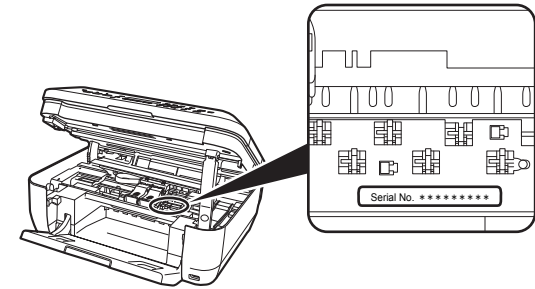
It may take a while for the next screen to appear. Click **Next** only once.

13



Click **Next**.

If connected to the Internet, the user registration page appears. Follow the on-screen instructions to register your machine. You will need your product serial number, which is located on the inside of the machine.

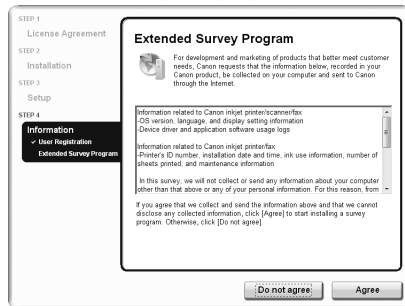


- Internet connection is required. (Connection fees apply.)



- To register later, click **Cancel**. User registration can be started from the **Canon Solution Menu** icon. For details, refer to "Solution Menu" on page 26.
- If you are already registered, the **Product Registration** screen appears.

14

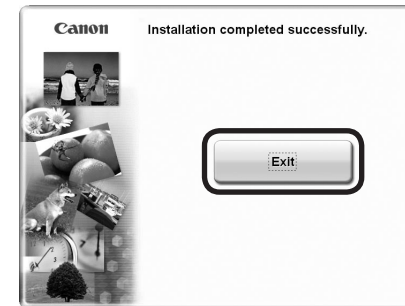


When the **Extended Survey Program** screen appears, confirm the message.

If you can agree, click **Agree**. If you click **Do not agree**, the Extended Survey Program will not be installed.

(This has no effect on the machine's functionality.)

15



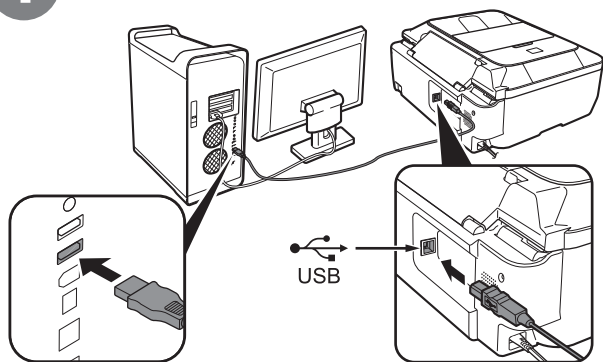
Click **Exit**.

If **Restart** is displayed, make sure that the **Restart the system now (recommended)** check box is selected, then click **Restart**.

After restarting the computer, remove the **Setup CD-ROM** and keep it in a safe place.

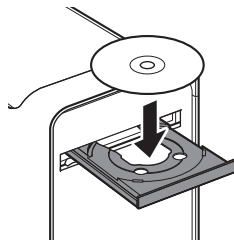
Next, read "8 Loading Paper" on page 24!

1



Connect the machine to the computer with a USB cable.  
Make sure the machine is turned on.

2



Turn on the computer, then insert the **Setup CD-ROM** into the CD-ROM drive.

3



Double-click the **Setup** icon.

If the CD-ROM folder does not open automatically, double-click the **CANON\_IJ** icon on the desktop.



- The USB port is located on the back center of the machine.

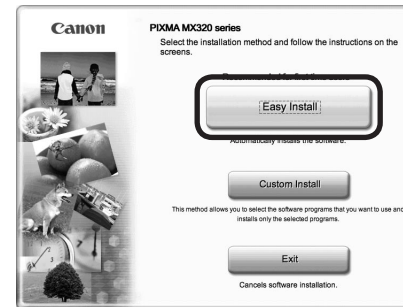
4



Enter your administrator name and password.  
Click **OK**.

If you do not know your administrator name or password, click **Help**, then follow the on-screen instructions.

5



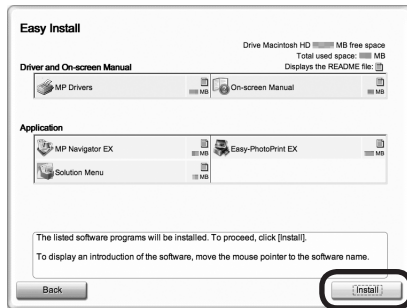
Click **Easy Install**.

Drivers, application software, and on-screen manuals are installed automatically.



- If you want to select particular items to install, click **Custom Install** and follow the on-screen instructions to proceed with the installation.

6

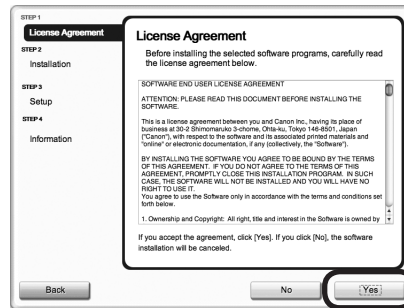


Click **Install**.



- Move the cursor over items to display explanations.

7



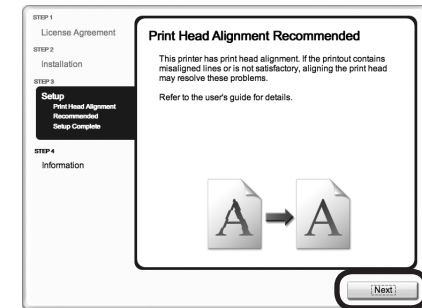
Read the **License Agreement** screen carefully and click **Yes**.

Installation starts.



- During installation, follow any on-screen instructions to install the software.

8



Click **Next**.



- If straight lines are misaligned or print quality is not satisfactory after installation, you may need to align the Print Head. Refer to "When Printing Becomes Faint or Colors Are Incorrect" in the on-screen manual: **Basic Guide**.



9



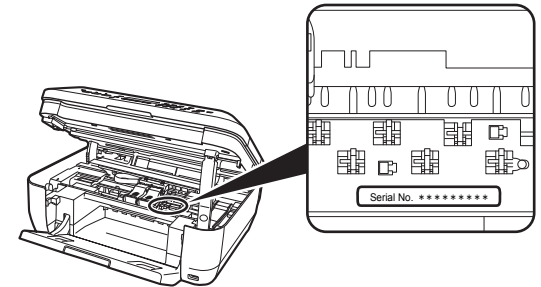
Click **Next**.

10



Click **Next**.

If connected to the Internet, the user registration page appears. Follow the on-screen instructions to register your machine. You will need your product serial number, which is located on the inside of the machine.



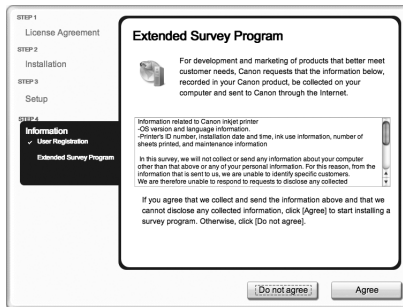
- Internet connection is required. (Connection fees apply.)



- To register later, click **Cancel**. User registration can be started from the **Solution Menu** icon. For details, refer to "Solution Menu" on page 26.
- If you are already registered, the **Product Registration** screen appears.



11



When the **Extended Survey Program** screen appears, confirm the message.

If you can agree, click **Agree**. If you click **Do not agree**, the Extended Survey Program will not be installed.  
(This has no effect on the machine's functionality.)



- The screen does not appear on Mac OS X v.10.3.9.

12



Click **Restart**.

After restarting the computer, remove the **Setup CD-ROM** and keep it in a safe place.



- When using Mac OS X v.10.3.9, before using the Operation Panel on the machine to save scanned originals to the computer, it is necessary to select MP Navigator EX as the launch application on **Image Capture** under **Applications**. For details, refer to "Saving Scanned Data" in the on-screen manual: **Basic Guide**.

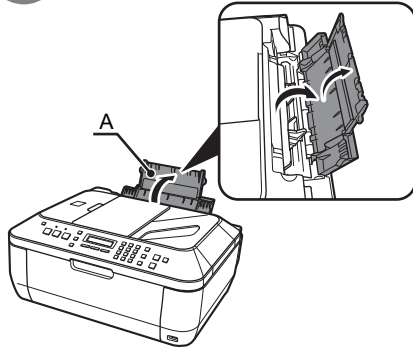
Next, read "8 Loading Paper" on page 24!

# 8

## Loading Paper

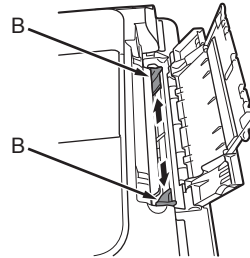


1



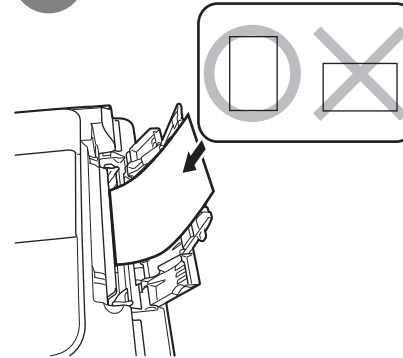
Open the Paper Support (A).

2



Move the Paper Guides (B) to both edges.

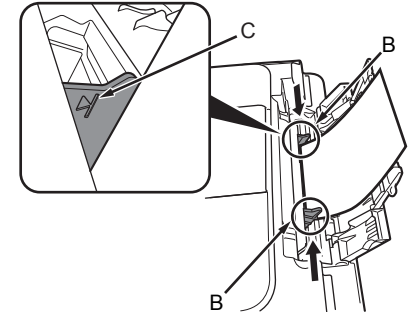
3



Load paper in the center.

Load paper in portrait orientation with the printing side facing up.

4



Slide the left and right Paper Guides (B) against both edges of the paper.

Confirm that the loaded paper does not exceed the line (C).

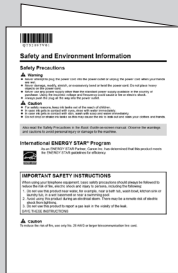


- For details on media sizes and types you can use, refer to "Loading Paper" in the on-screen manual: **Basic Guide**.

Machine installation is now complete!

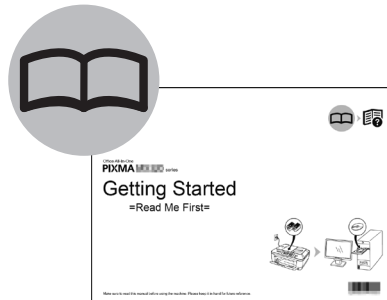
## ■ Manuals

### Safety Precautions



### Safety and Environment Information

For proper use, read safety precautions before using the machine.



### Getting Started (this manual)

Describes how to set up and use your machine. Introduces the machine and its functions, the included manuals and application software.



### on-screen manuals

### Basic Guide

Describes the basic operations and gives an introduction to other functions available.

### Advanced Guide

Describes various operating procedures to make full use of machine. Also includes "Troubleshooting" information for your machine.

## ■ Solution Menu

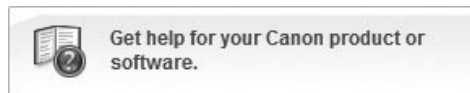
Solution Menu is a gateway to functions and information that allow you to make full use of the machine!



Example: Windows Vista



\*The buttons displayed vary depending on the country or region of purchase.



To open the on-screen manual, click the button shown to the left in Solution Menu.

Open various applications and on-screen manuals with a single click.

You can start Solution Menu from the **Canon Solution Menu** icon on the desktop (Windows) or on the Dock (Macintosh).

If you have a problem with machine settings, click the **Change settings or find solutions to problems.** in Solution Menu to open **My Printer** (Windows only).

## Try Using the Machine!

Various application software are installed on the computer along with the drivers. You can print creative items by correcting/enhancing photos using the applications.

Alternatively, use the Operation Panel on the machine to print your own items easily.

For details on how to use the application software and the machine, refer to the on-screen manuals: **Basic Guide** and **Advanced Guide**.

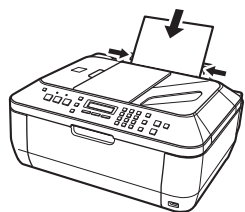


# Try Copying

You can copy a document by simply placing it on the Platen Glass and pressing the **Start** button.

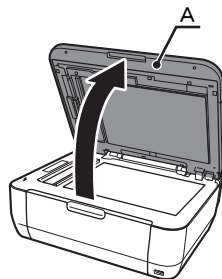
This section explains with **Plain Paper**. For various copying procedures, refer to "Copying" in the on-screen manual: **Basic Guide**.

1



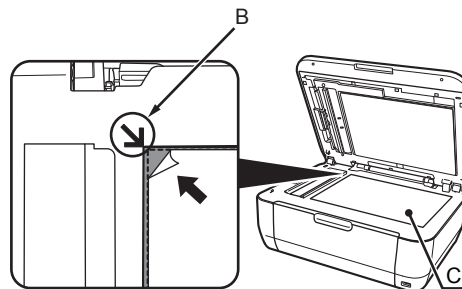
Load a sheet of A4 or Letter-sized **Plain Paper**.

2



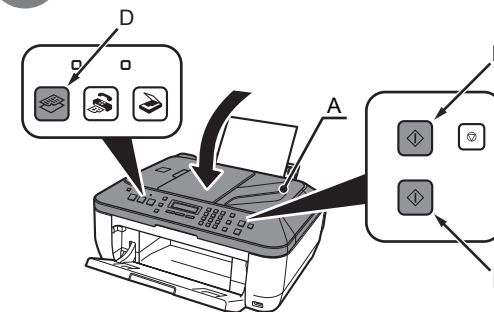
Open the Document Cover (A).

3



Place the document face-down and align it with the Alignment Mark (B).

4



Close the Document Cover (A), press the **COPY** button (D), then press the **Black** button (E) or the **Color** button (F).

Copying will start.  
Remove the document after printing.



- For details, refer to "8 Loading Paper" on page 24.
- The machine may make operating noise when feeding paper. This is normal operation.



- Do not place any objects weighing more than 4.4 lb / 2.0 kg on the Platen Glass (C).
- Do not press or put weight on the original with pressure exceeding 4.4 lb / 2.0 kg. Doing so may cause the scanner to malfunction or the Platen Glass to break.



- Do not open the Document Cover (A) until copying is complete.

# Print Photos from a Computer

Easy-PhotoPrint EX allows you to print photos easily.

This section explains how to print borderless photos using 4" x 6" size **Photo Paper Plus Glossy II**. The screens are based on Windows Vista.

1



In Solution Menu, click **One-Click to Photo Print**.

Easy-PhotoPrint EX starts.

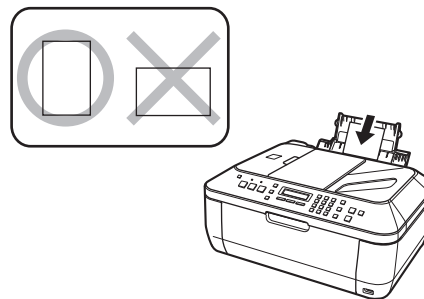
2



Select the image you want to print, then click **Layout/Print**.

When a photo is selected, the number of copies is set to "1".

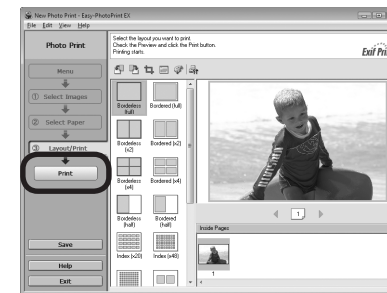
3



Load a sheet of photo paper in portrait orientation.

Load paper with the printing side facing up.

4



Click **Print**.

Printing will start.

On Macintosh, if the **Print** screen is displayed, click **Print** to start printing.



- For details on starting Solution Menu, refer to "Solution Menu" on page 26.
- For more information, refer to the on-screen manual: **Advanced Guide**.



- For details, refer to "8 Loading Paper" on page 24.

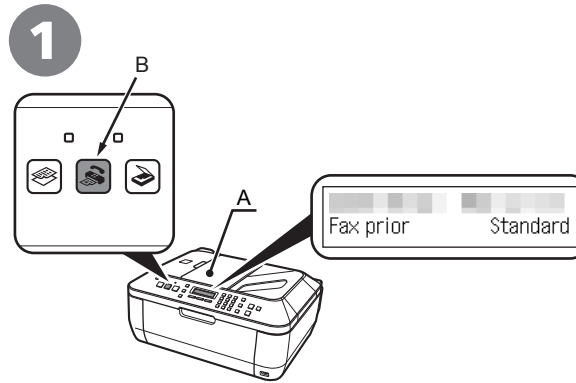
# Send Faxes

This section explains how to send a fax in black and white from the ADF (Auto Document Feeder) (A).

For other procedures to send faxes, refer to "Faxing" in the on-screen manual: **Basic Guide**.

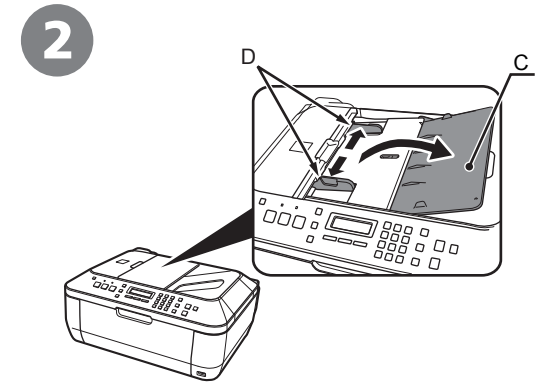
Make sure that the telephone line type is set correctly. For the setting procedure, refer to "Setting Up the Machine" in the on-screen manual: **Basic Guide**.

The setting may not be available depending on the country or region of your residence.



Press the **FAX** button (B).

Confirm that the fax standby screen is displayed.



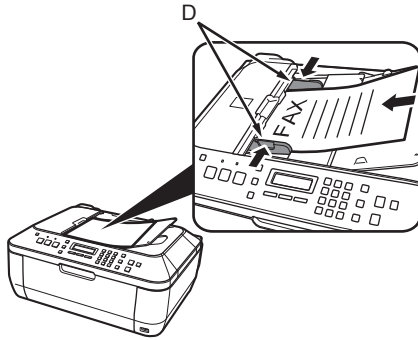
Open the Document Tray (C), then move the Paper Guides (D) to both edges.



- For details on supported documents and settings for image quality, density (brightness), etc., refer to the on-screen manual: **Basic Guide**.



3

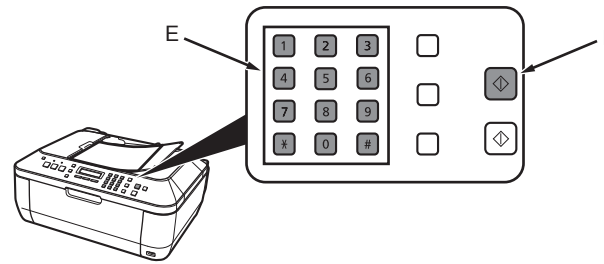


Insert the document until a beep sounds, then slide the left and right Paper Guides (D) against both ends of the document.



- Place the document face-up.

4



Use the Numeric buttons (E) to enter the fax number.

5

Press the **Black** button (F).  
The fax is sent.



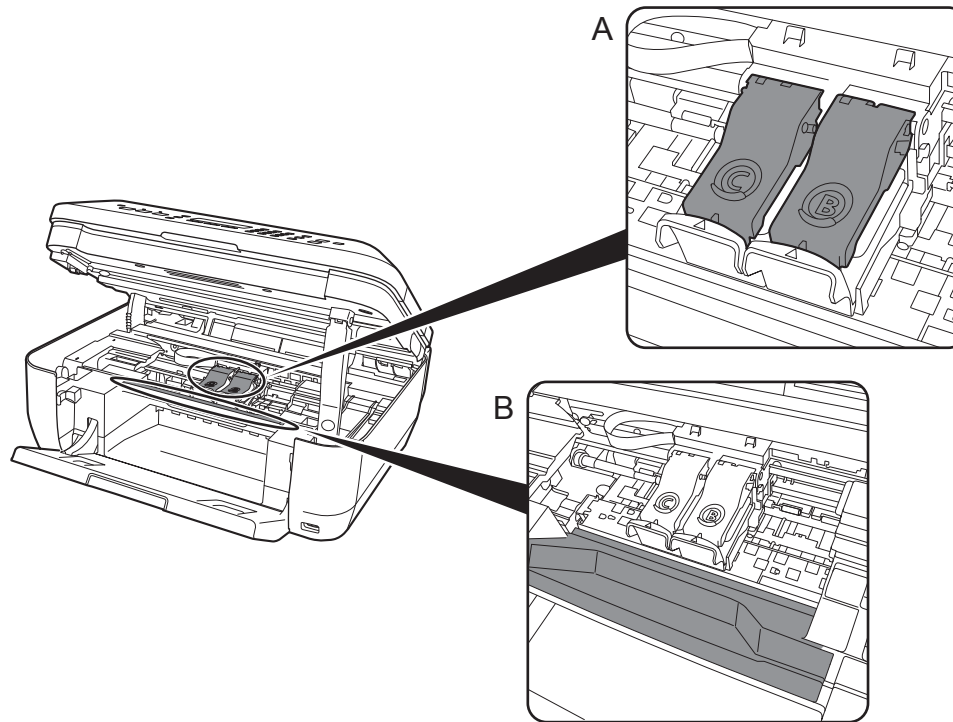
- For details on sender information, refer to "Specifying the Basic Settings for the Machine" in the on-screen manual: **Basic Guide**.

# Maintenance

---

After a period of use, the inside of the machine may become stained with ink. To avoid staining your hands or clothes with ink, it is recommended that you clean the Ink Cartridge Locking Cover (A) and the inside of the tray (B) with a dry cloth as required.

If the Scanning Unit (Cover) is left open for more than 10 minutes, the FINE Cartridge Holder moves to the right automatically.



# Specifications

General Specifications	
Printing resolution (dpi)	4800* (horizontal) x 2400 (vertical) * Ink droplets can be placed with a pitch of 1/4800 inch at minimum.
Interface	USB Port: Hi-Speed USB*1  Direct Print Port: PictBridge Bluetooth v2.0 (Option)*2 *3 *4 USB flash drive  *1 A computer that complies with Hi-Speed USB standard is required. Since the Hi-Speed USB interface is fully upwardly compatible with USB 1.1, it can be used at USB 1.1. *2 Maximum speed: 1.44 Mbps *3 JPEG/PNG only *4 Bluetooth connection is for printing only.
Print width	8 inches/203.2 mm (for Borderless Printing: 8.5 inches/216 mm)
Acoustic noise level	Approx. 47 db (A) * When printing in the standard print quality mode on <b>Photo Paper Plus Glossy II</b> .
Operating environment	Temperature: 5 to 35°C (41 to 95°F) Humidity: 10 to 90% RH (no condensation)
Storage environment	Temperature: 0 to 40°C (32 to 104°F) Humidity: 5 to 95% RH (no condensation)
Power supply	AC 100-240 V, 50/60 Hz
Power consumption	Printing (Copy): Approx. 11W Standby (minimum): Approx. 2.2W* OFF: Approx. 1W* * USB connection to PC
External dimensions	Approx. 18.1 (W) x 16.2 (D) x 7.8 (H) inches Approx. 458 (W) x 410 (D) x 198 (H) mm * With the Paper Support and Paper Output Tray retracted.
Weight	Approx. 8.6 kg (Approx. 18.9 lb) * With the FINE Cartridges installed.
Canon FINE Cartridge	Black: 320 nozzels Color: 384 x 3 nozzels
ADF capacity	A4 or Letter size: Max. 30 sheets (20 lb/75 gsm paper), up to 0.16 inches/4 mm in height Legal size: Max. 5 sheets (20 lb/75 gsm paper), up to 0.04 inches/1 mm in height Other sizes: 1 sheet
Scan Specifications	
Scanner driver	TWAIN/WIA (Windows Vista and Windows XP only)
Maximum scanning size	A4/Letter, 8.5" x 11.7"/216 x 297 mm (Platen Glass)/ 8.5 x 14.0 inches / 216 x 356 mm (ADF)
Scanning resolution	Optical resolution (horizontal/vertical) max: 1200 dpi x 2400 dpi Interpolated resolution max: 19200 dpi x 19200 dpi
Gradation (Input/Output)	Gray: 16 bit/8 bit Color: 48 bit/24 bit (RGB each 16 bit/8 bit)

Copy Specifications	
Multiple copy	Max 99 pages
Intensity adjustment	9 positions, Auto intensity (AE copy)
Reduction/Enlargement	25% - 400% (1% unit)
Fax Specifications	
Applicable line	Public Switched Telephone Network (PSTN)
Compatibility	G3/Super G3 (Mono & Color Fax)
Data compressing system	MH, MR, MMR, JPEG
Modem type	Fax modem
Modem speed	33600/31200/28800/26400/24000/21600/19200/16800/ 14400/12000/9600/7200/4800/2400 bps Automatic fallback
Transmission speed	Black & white: Approx. 3 seconds/page at 33.6 Kbps, ECM-MMR, transmitting from memory (Based on ITU-T No.1 chart for US specifications and Canon FAX Standard chart No.1 for others, both in standard mode or Canon FAX Standard chart No.1, standard mode.) Color: Approx. 1 minute/page at 33.6 Kbps, ECM-JPEG, transmitting from memory (Based on Canon COLOR FAX TEST SHEET.)
Scanning image processing	Halftones: 256 levels of gray Density adjustment: 3 levels
Memory	Transmission/reception: 50 pages (Based on ITU-T No.1 chart for US specifications and Canon FAX Standard chart No.1 for others, both in standard mode.)
Fax resolution	Black & white Standard: 8 pels/mm x 98 lines/mm (203 pels/inch x 98 lines/inch) Black & white Fine, Photo: 8 pels/mm x 7.70 lines/mm (203 pels/inch x 196 lines/inch) Black & white Extra fine: 300 x 300 dpi Color: 200 x 200 dpi
Dialing	Automatic dialing Coded speed dial (20 destinations) Group dial (max. 19 destinations) Regular dialing (with Numeric buttons) Automatic redialing Manual redialing (with the Redial/Pause button)
Telephone networking	TTI (Transmit Terminal Identification) ECM transmission Activity report (after every 20 transactions) Sequential broadcasting (max. 21 destinations) Manual redialing (max. 10 transactions) Automatic reception Remote reception by telephone (Default ID: 25) DM Preventive Function etc.

Minimum System Requirements		
☑ Conform to the operating system's requirements when higher than those given here.		
	Windows	Macintosh
Operating System	Windows Vista, Vista SP1	Mac OS X v.10.5
Processor	1 GHz processor	Intel processor, PowerPC G5,
RAM	512 MB	PowerPC G4 (867 MHz or faster) 512 MB
	Windows XP SP2, SP3 300 MHz processor 128 MB	Mac OS X v.10.4 Intel processor, PowerPC G5, PowerPC G4, PowerPC G3 256 MB
	Windows 2000 Professional SP4 300 MHz processor 128 MB	Mac OS X v.10.3.9 PowerPC G5, PowerPC G4, PowerPC G3 128 MB
Browser	Internet Explorer 6.0 or later	Safari
Hard Disk Space	600 MB Note: For bundled software installation.	700 MB Note: For bundled software installation.
CD-ROM Drive	Required	
Display	XGA 1024 x 768	
	<ul style="list-style-type: none"> <li>Windows: Note: Operation can only be guaranteed on a PC with Windows Vista, XP or 2000 pre-installed.</li> <li>Some functions may not be available with Windows Media Center</li> <li>To upgrade from Windows XP to Windows Vista, first uninstall software bundled with the Canon inkjet printer.</li> <li>Macintosh: Hard Disk must be formatted as Mac OS Extended (Journaled) or Mac OS Extended.</li> </ul>	
Additional System Requirements for the on-screen manuals		
	Windows	Macintosh
Browser: Easy Guide Viewer	Browser: Help Viewer	Browser: Help Viewer
Note: Microsoft Internet Explorer 6.0 or later must be installed. The on-screen manual may not be displayed properly depending on your operating system. We recommend that you keep your system up to date.	Note: Microsoft Internet Explorer 6.0 or later must be installed. The on-screen manual may not be displayed properly depending on your operating system or Internet Explorer version. We recommend that you keep your system up to date with Windows Update.	Note: The on-screen manual may not be displayed properly depending on your operating system. We recommend that you keep your system up to date.

Specifications are subject to change without notice.

About Consumables

Consumables (ink tanks / FINE Cartridges) are available for 5 years after production has stopped.

# Getting Help from Canon

Email Tech Support — [www.canontechsupport.com](http://www.canontechsupport.com)

Toll-Free Live Tech Support— (1-800-828-4040) under warranty

This option provides live telephone technical support, free of service charges,

Monday-Friday (excluding holidays), during the warranty period.

Telephone Device for the Deaf (TDD) support is available at (1-866-251-3752).

## Ordering Information

The following ink cartridges are compatible with this machine.



### Order #

PG-210 XL Black	2973B001
CL-211 XL Color	2975B001
PG-210 Black	2974B001
CL-211 Color	2976B001

Call 1-800-OK-CANON to locate a dealer near you, or visit the Canon eStore at [www.canonestore.com](http://www.canonestore.com)

CANON U.S.A. INC.

One Canon Plaza, Lake Success, NY 11042 U.S.A.

[www.usa.canon.com](http://www.usa.canon.com)

## Free Manuals Download Website

<http://myh66.com>

<http://usermanuals.us>

<http://www.somanuals.com>

<http://www.4manuals.cc>

<http://www.manual-lib.com>

<http://www.404manual.com>

<http://www.luxmanual.com>

<http://aubethermostatmanual.com>

Golf course search by state

<http://golfingnear.com>

Email search by domain

<http://emailbydomain.com>

Auto manuals search

<http://auto.somanuals.com>

TV manuals search

<http://tv.somanuals.com>