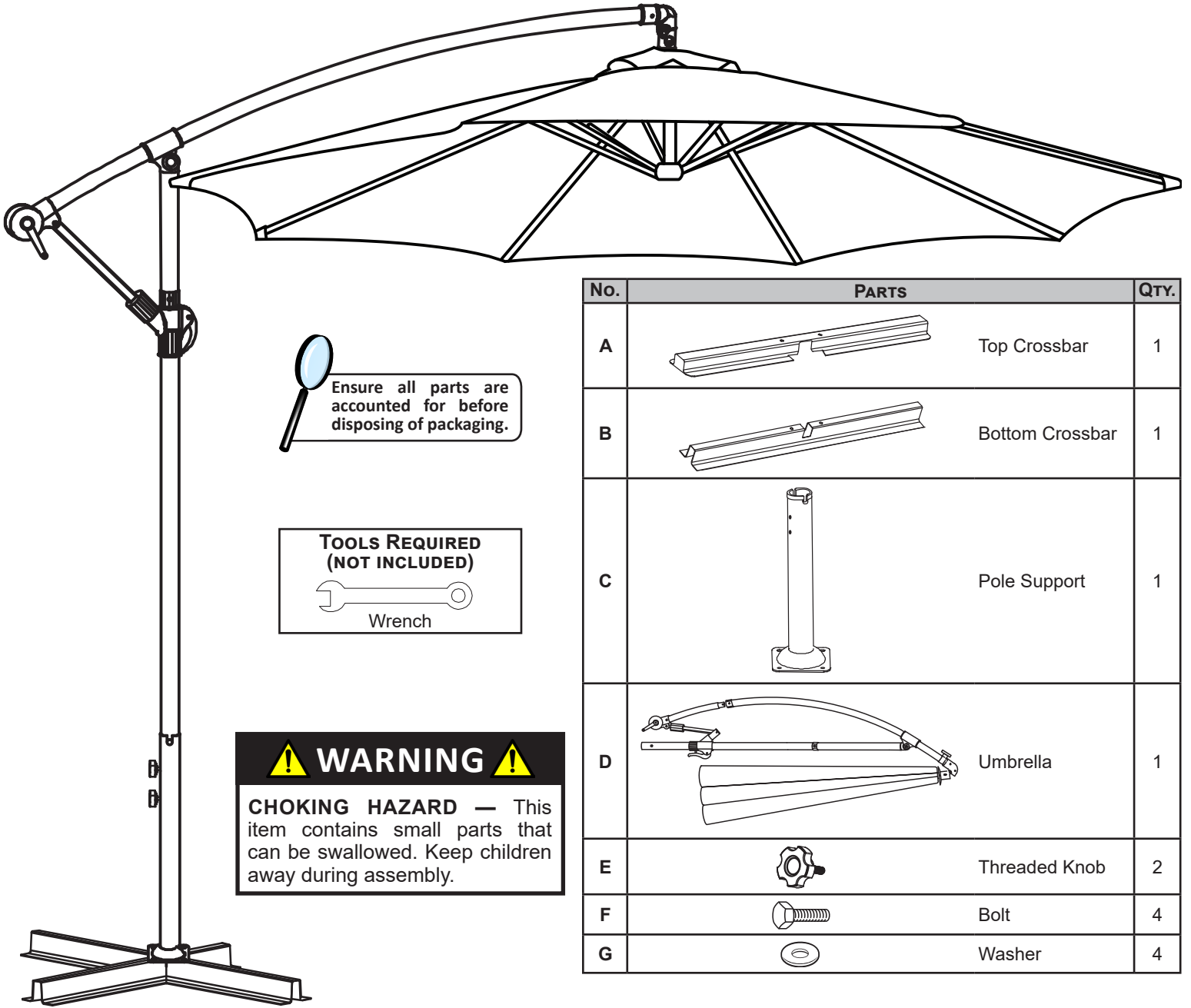

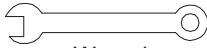


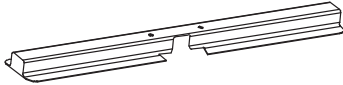
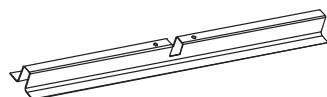
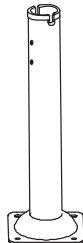
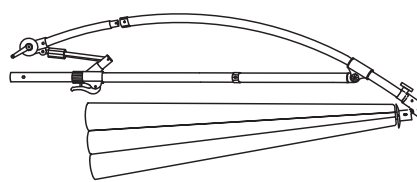

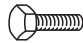

10' OFFSET CANTILEVER UMBRELLA



 Ensure all parts are accounted for before disposing of packaging.

TOOLS REQUIRED (NOT INCLUDED)

 Wrench

⚠ WARNING ⚠
CHOKING HAZARD — This item contains small parts that can be swallowed. Keep children away during assembly.

No.	PARTS		QTY.
A		Top Crossbar	1
B		Bottom Crossbar	1
C		Pole Support	1
D		Umbrella	1
E		Threaded Knob	2
F		Bolt	4
G		Washer	4

⚠ HELPFUL HINT

Sunnydaze Decor advises reading this manual fully, and assembling the umbrella soon after purchase. Check that all parts are accounted for and familiarize yourself with the assembly before beginning.

Save this manual for future reference.

BEFORE YOU BEGIN...

- This offset umbrella requires the use of 4 cantilever offset patio umbrella base weights or similar items, such as paving slabs, for stability. Minimum total weight limit 120 lbs (54Kg).
- Read and understand this manual before assembling and using the product.
- Do not discard any of the packaging until all components and fittings have been accounted for. When discarding packaging, take care and consideration for others and the environment.
- When assembling this umbrella, be aware of the safety of yourself and others.
- Because of the size of this offset umbrella, assembling it in the area intended for use is recommended.
- Some assembly may be easier with two people. Seek assistance when lifting large or heavy items.
- Assemble this umbrella on a clean, flat and level surface, e.g., the cardboard packaging.
- Assemble all parts loosely, by hand, before tightening any bolts or fixings.
- The Solar Panel collects energy from the sun to charge the battery inside the panel. Charging only occurs when the solar panel is switched ON. Ensure the panel is in full sunlight all day to charge the battery.



IMPORTANT SAFETY INFORMATION



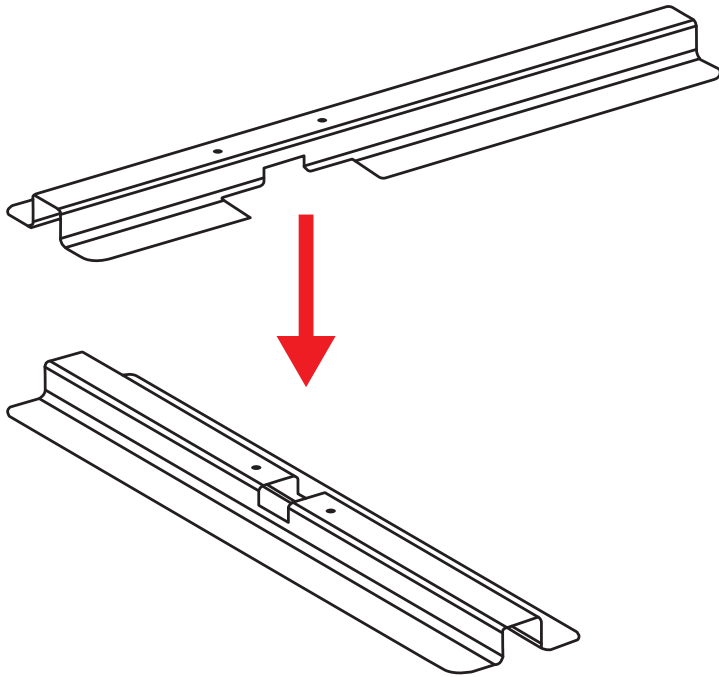
- Keep plastic bags away from children or animals.
- Keep fittings and small parts out of reach of children and animals.
- Do not place components directly onto patios or other abrasive surfaces where they may become damaged.
- Do not use power tools such as drills, as this may damage the frame or fittings.
- Do not use the umbrella if any parts are missing or broken.
- Do not use the umbrella until all the bolts are securely tightened. Do not overtighten.
- Do not modify or alter the umbrella or frame in any way.
- Do not climb or stand on any part of the offset umbrella.
- Do not allow children to play on or around the offset umbrella.
- Please ensure that visitors are aware of the correct use and operation.
- Do not use your umbrella during inclement weather, including but not limited to, windy conditions, during thunderstorms, heavy rains, or during freezing temperatures.
- Do not leave your offset umbrella unattended while it is in the raised position.
- The umbrella canopy does not provide complete protection from the sun or UV light.

HOW TO... use your offset umbrella

- Always use on a firm, flat and level surface.
- Always ensure that the umbrella is set up in its intended position and all locking mechanisms are engaged prior to use.
- This umbrella is designed for private and domestic use only.
- Do not use this product near heat sources such as barbecues, fire pits, candles, lanterns or heaters.
- Care must be taken when opening or closing the umbrella to prevent fingers and clothing from being pinched or trapped.
- Always ensure that the base is securely fixed or weighted before use.

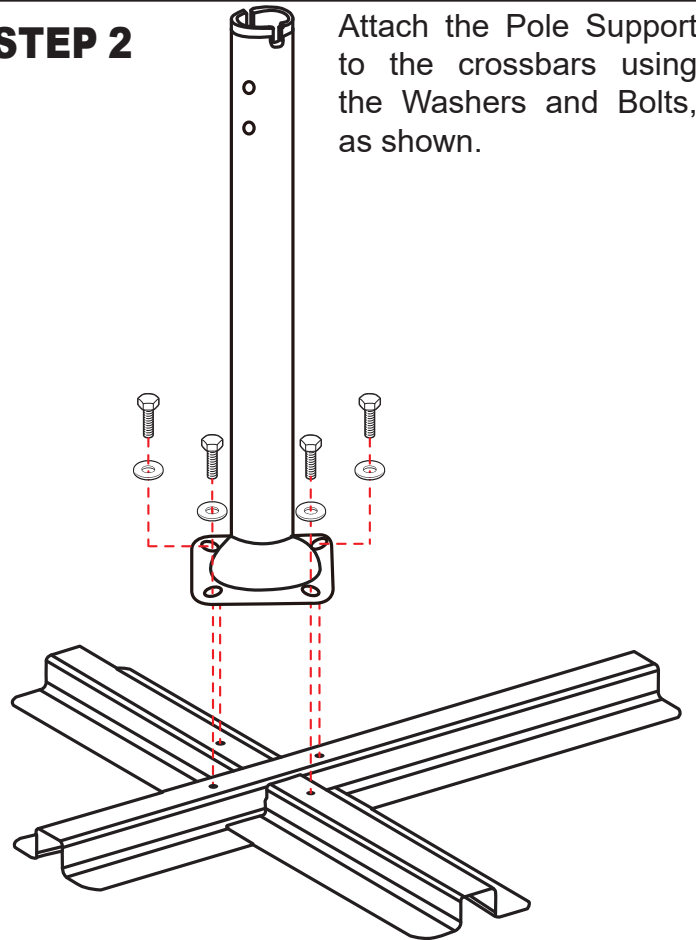
ASSEMBLY

STEP 1



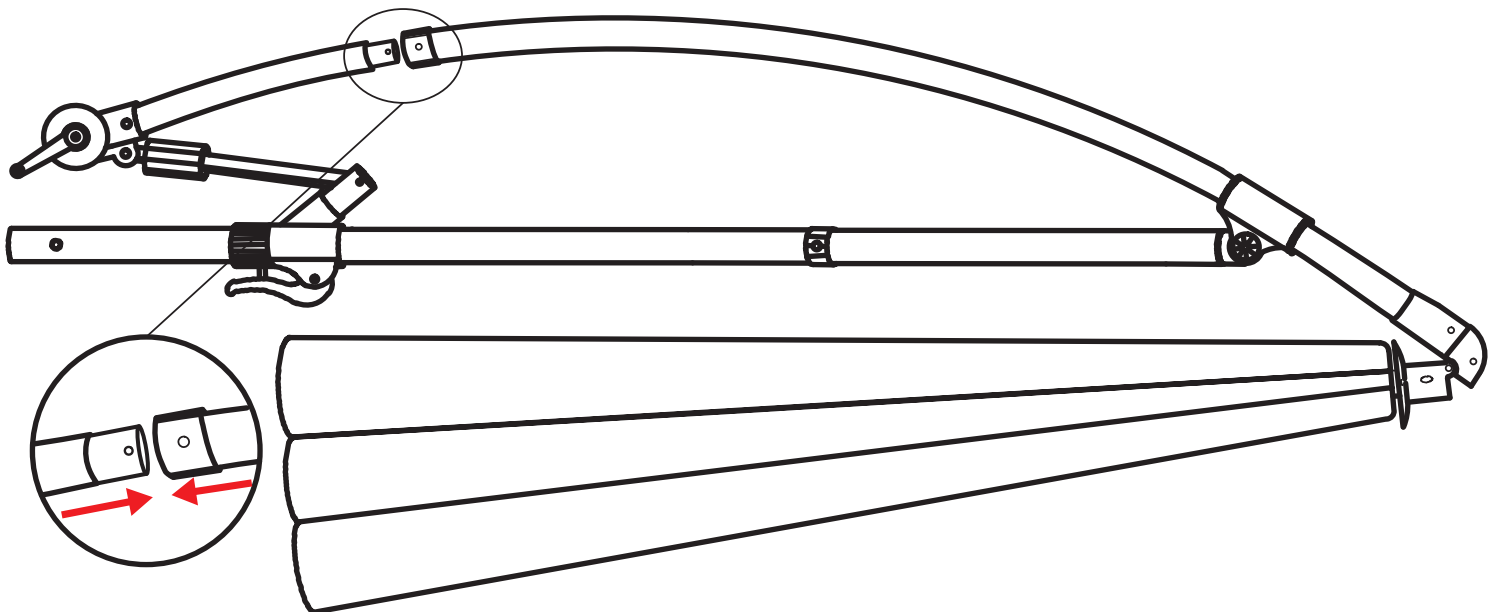
Place the Top Crossbar onto the Bottom Crossbar.

STEP 2



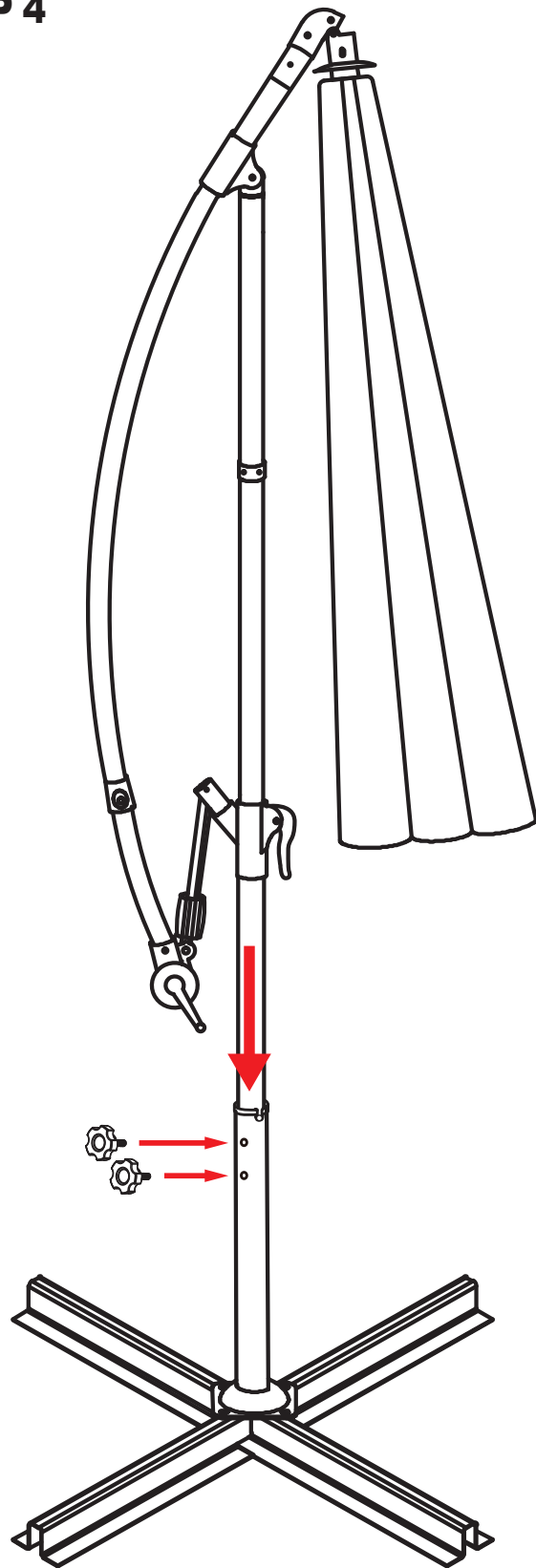
Attach the Pole Support to the crossbars using the Washers and Bolts, as shown.

STEP 3



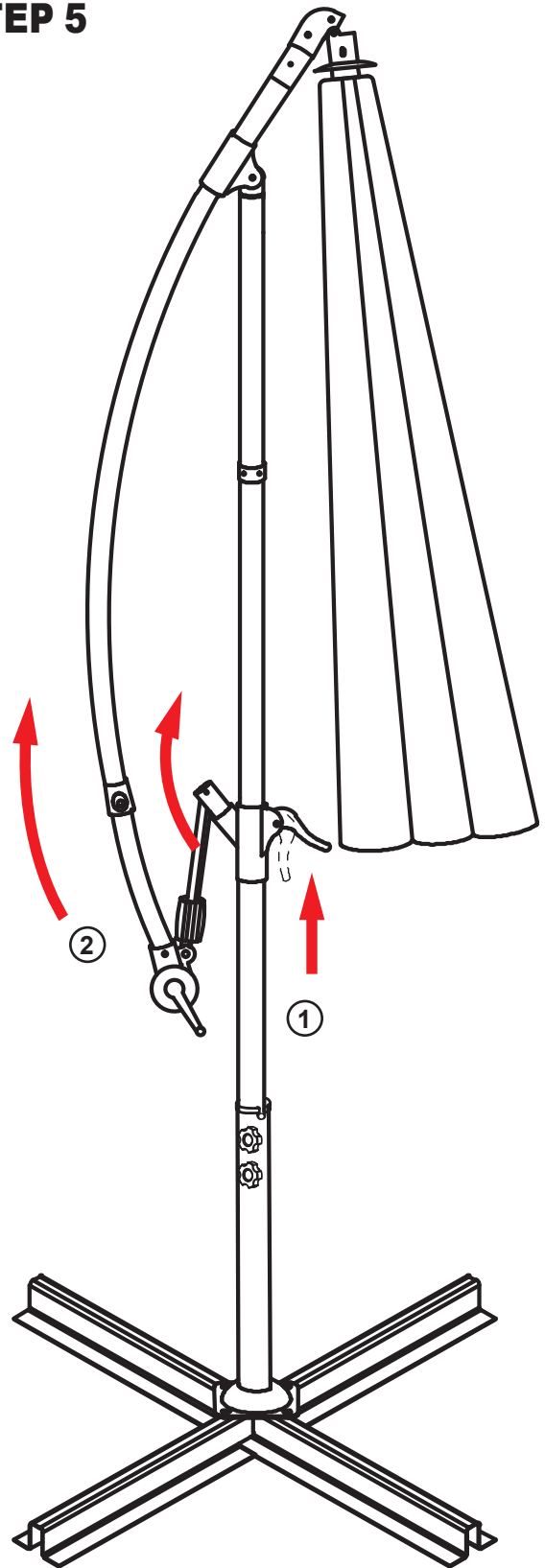
Connect the umbrella pole, as shown.

STEP 4



Firmly insert the Umbrella into the assembled base. Screw in and tighten the Threaded Knobs into the pole support.

STEP 5

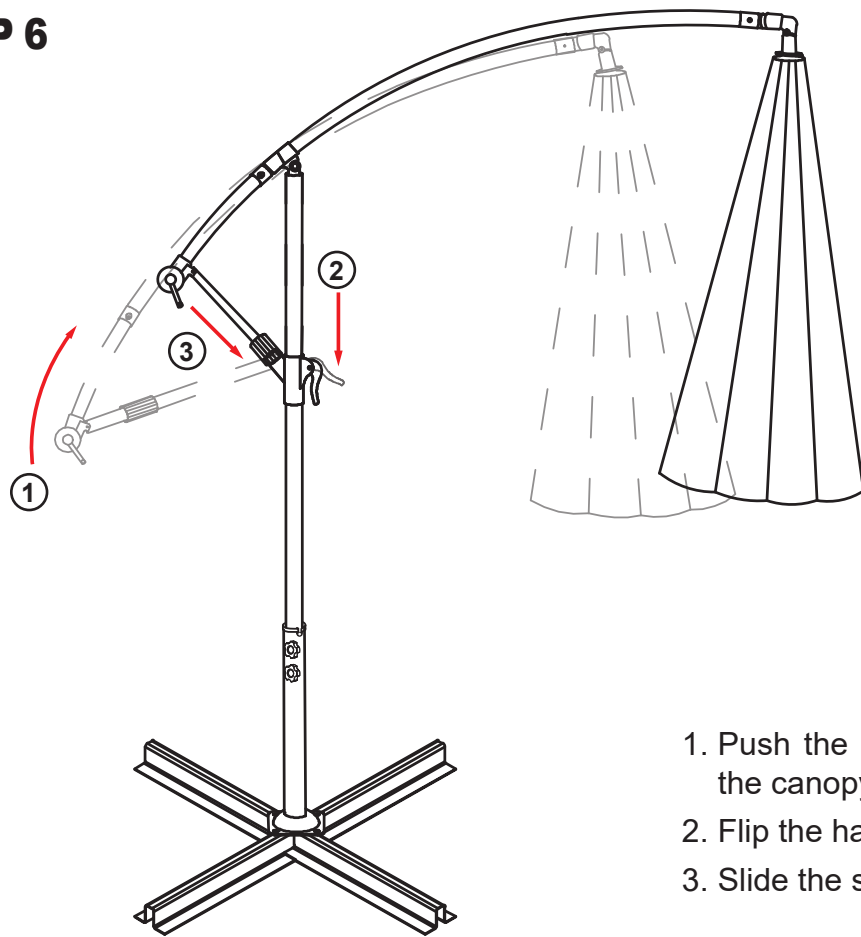


Weigh the unit down before proceeding.

4x Cantilever Offset Patio Umbrella Base Weights a recommended to prevent the unit from tipping over (sold separately).

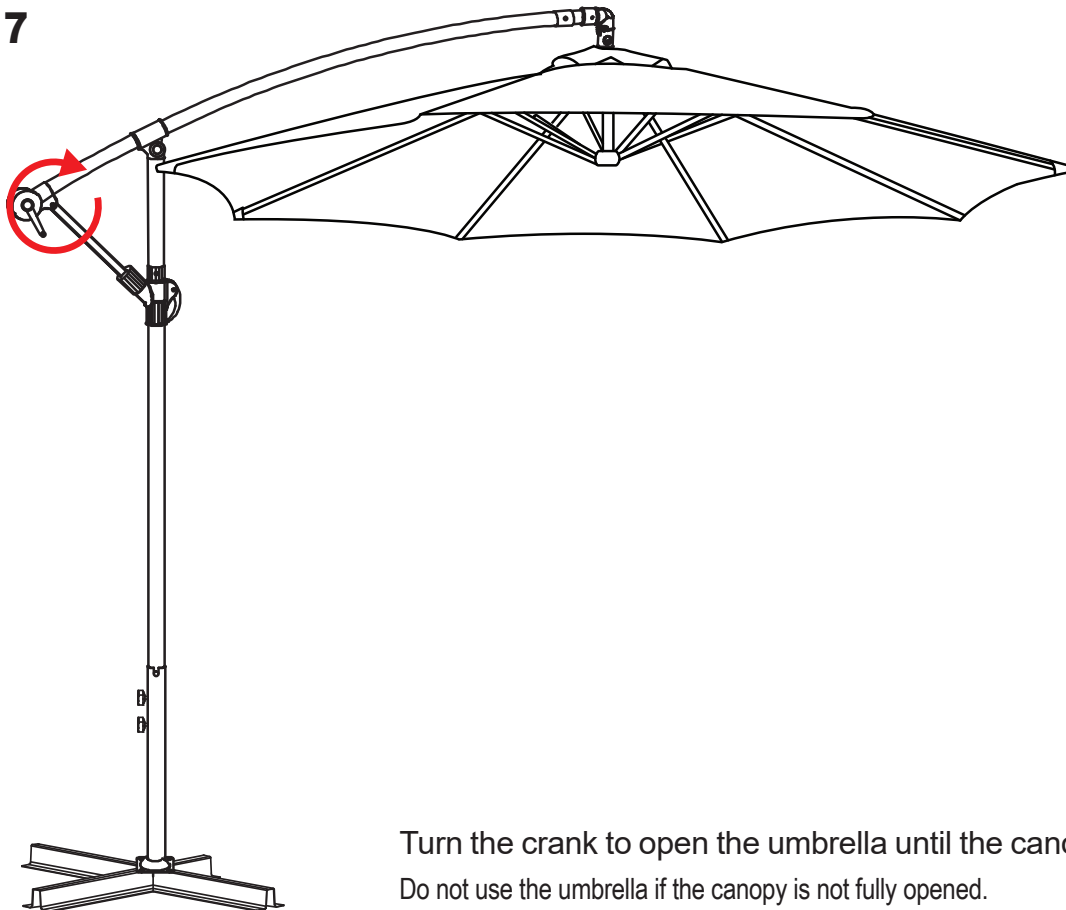
1. Flip the handle upwards.
2. Gently lift the curved bar upwards to extend the canopy outward.

STEP 6



1. Push the curved pole upwards to extend the canopy to the desired location.
2. Flip the handle down to lock into place.
3. Slide the sleeve down to secure the arm.

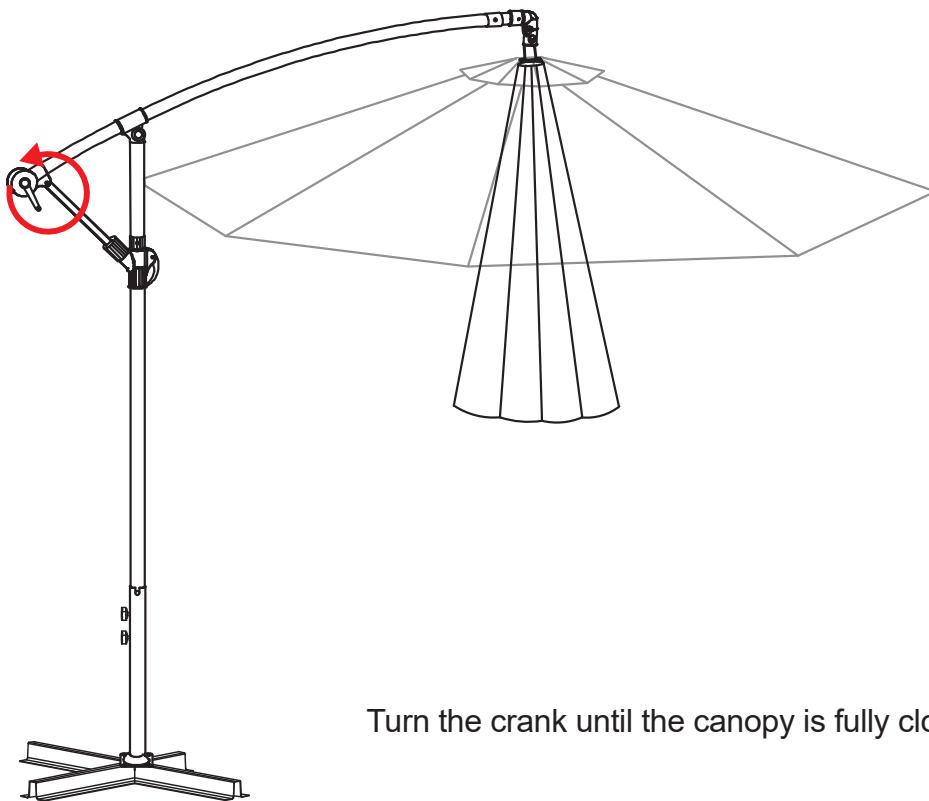
STEP 7



Turn the crank to open the umbrella until the canopy is fully expanded.
Do not use the umbrella if the canopy is not fully opened.

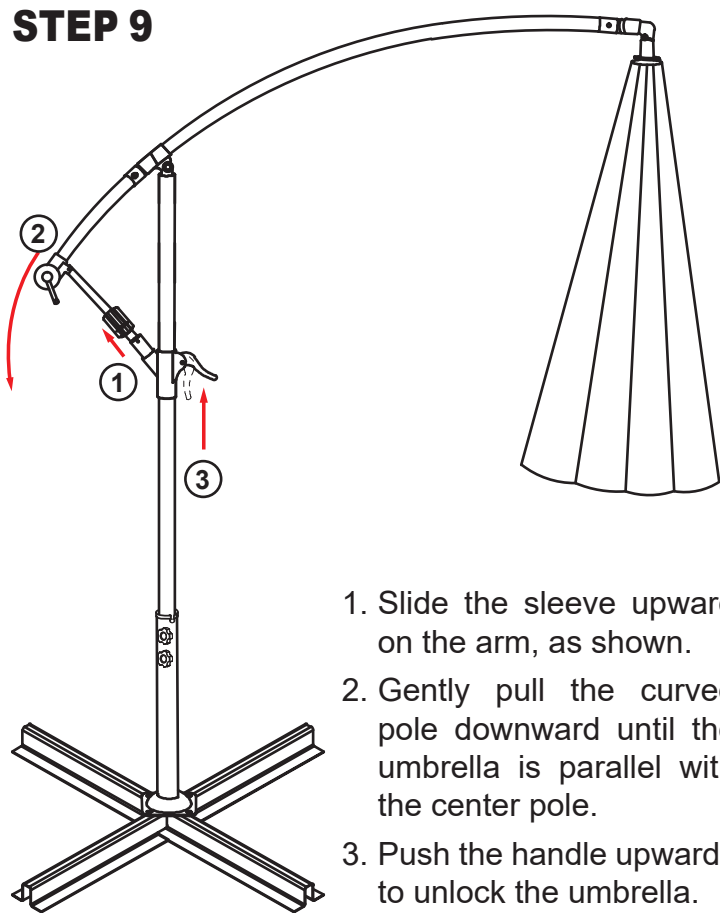
HOW TO... close the canopy

STEP 8



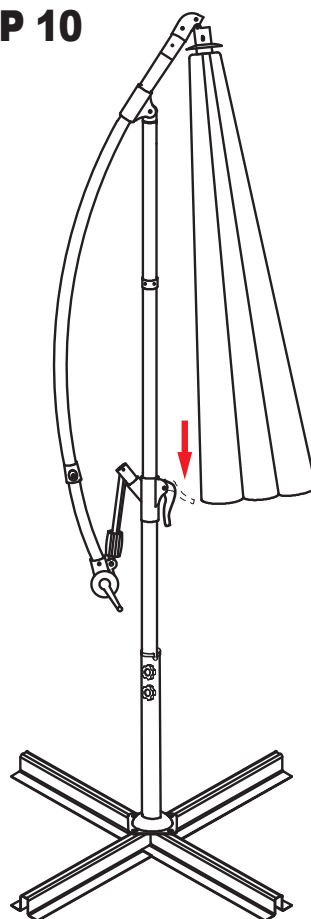
Turn the crank until the canopy is fully closed.

STEP 9



1. Slide the sleeve upward on the arm, as shown.
2. Gently pull the curved pole downward until the umbrella is parallel with the center pole.
3. Push the handle upwards to unlock the umbrella.

STEP 10



Slide the collapsed umbrella downward and press the handle downward to lock it in place.

Cleaning & Maintenance

 DO NOT USE BLEACH

 DO NOT USE A PRESSURE WASHER

BASIC CARE

All fabrics will eventually fade from sun exposure. However, it is possible to maintain an umbrella's color for years to come by covering it with an umbrella cover or storing it indoors when not in use.

Do not use bleach, acid, solvents or abrasive cleaners on this product.

Before putting into storage or covering, ensure the entire unit is clean and fully dry. Moisture may cause mold and mildew growth on the canopy fabric and may cause the frame to rust.

During adverse weather conditions, or the winter, store your offset umbrella inside under a suitable cover.

METAL FRAME

Wipe the frame down using a soft cloth, warm water and mild soap; rinse thoroughly and dry.

If the painted finish should become chipped or scratched exposing bare metal, clean the surface thoroughly and treat with a touch-up paint.

Periodically use a suitable lubricant or water displacer on bolts and joints and check the frame for water build-up and empty if present.

Periodically check the tightness of any bolts or fixings — re-tighten hardware as required.

CANOPY FABRIC

Brush or vacuum loose dust, dirt and debris from the canopy. To clean the fabric, use a weak solution of warm water and washing powder or laundry detergent. Rinse fabric thoroughly and allow to air dry thoroughly. Always test cleaning solutions on a small area first to ensure suitability. Do not use bleach, acid, solvents or abrasive cleaners on the fabric.

Troubleshooting

Canopy will not open?

Inspect the ribs beneath the canopy as they may be crossed. Carefully, and gently uncross the ribs and the canopy should open as intended by turning the crank.

Umbrella seem unstable?

The base of the umbrella must be weighted down at all times. Using the umbrella without weights can result in serious injury and/or property damage.

Any modification or failure to follow the recommended care will void the product warranty.

WARNING!

Manufacturer and seller expressly disclaim any and all liability from personal injury, property damage or loss, whether direct or indirect, or incidental, resulting from the incorrect attachment, improper use, inadequate maintenance, or neglect of this product.

Free Manuals Download Website

<http://myh66.com>

<http://usermanuals.us>

<http://www.somanuals.com>

<http://www.4manuals.cc>

<http://www.manual-lib.com>

<http://www.404manual.com>

<http://www.luxmanual.com>

<http://aubethermostatmanual.com>

Golf course search by state

<http://golfingnear.com>

Email search by domain

<http://emailbydomain.com>

Auto manuals search

<http://auto.somanuals.com>

TV manuals search

<http://tv.somanuals.com>