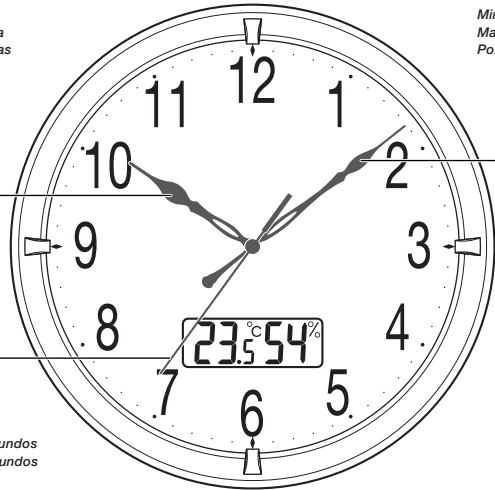


# Operation Guide IC-02

Hour hand  
Manecilla de hora  
Ponteiro das horas

Minute hand  
Manecilla de minutos  
Ponteiro dos minutos

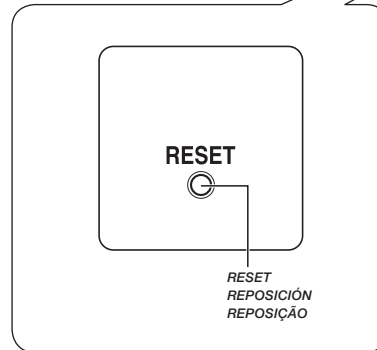
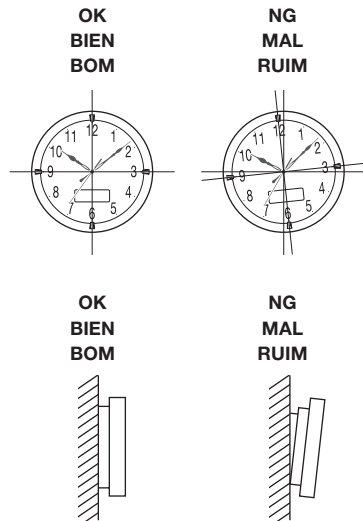
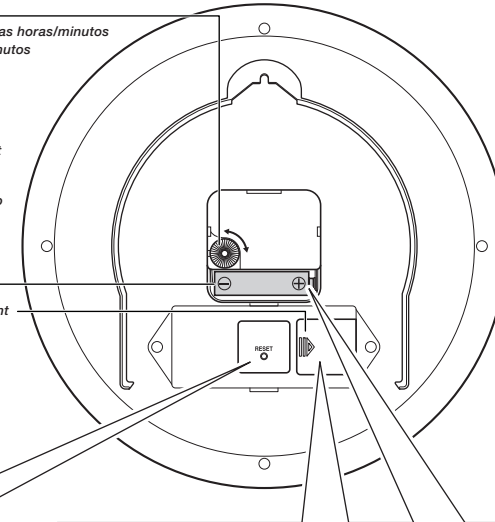
Second hand  
Manecilla de segundos  
Ponteiro dos segundos



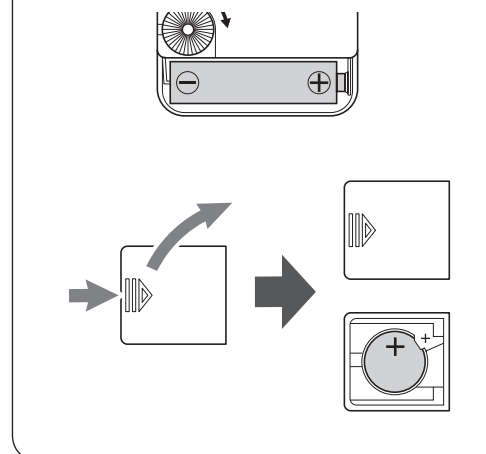
Hour/minute adjuster  
Ruedecilla de ajuste de las horas/minutos  
Regulador das horas/minutos

Analog clock battery compartment  
Compartimento de la pila del reloj analógico  
Compartimento da pilha do relógio analógico

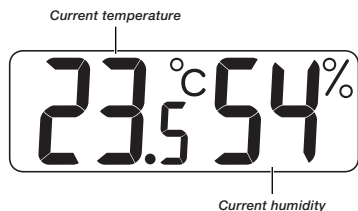
Digital display battery compartment  
Compartimento de la pila de la pantalla digital  
Compartimento da pilha do mostrador digital



Battery Compartments  
Compartimentos de la pila  
Compartimentos das pilhas



- A sticker is affixed to the glass of this clock when you purchase it. Be sure to remove the sticker before using the clock.
- Depending on the clock model, the configuration of your clock may differ somewhat from that shown in the illustration.



## OPERATING PRECAUTIONS

- Do not use or store this clock in areas exposed to temperature extremes, strong magnetism, strong vibration, or strong impact.
- Heat can shorten battery life and cause malfunction. Keep the clock away from heaters and direct sunlight when using it.
- Never use the clock in a bathroom or any other area subject to high humidity.
- Never try to take the clock apart. Doing so can cause malfunction.
- To clean the clock, use a soft, dry cloth or a cloth moistened in a solution of water and a mild neutral detergent. Wring out all excess moisture from the cloth. Never use thinner, benzene, alcohol or other similar agents.
- Be sure to keep all user documentation handy for future reference.

Note that CASIO COMPUTER CO., LTD. assumes no responsibility for any damage or loss suffered by you or any third party arising through the use of this product or its malfunction.

## CONFIGURING ANALOG CLOCK SETTINGS

### To start clock

Insert a battery into **analog clock battery compartment** with polarity as indicated.

### To set time

Turn the **hour/minute adjuster** in either direction.

### To adjust seconds

Remove the battery to stop the second hand at 12 o'clock position. Replace the battery at a time signal to restart the second hand on the correct second.

- The current time setting may be slightly off, depending on the timing when you load the battery to restart timing.

## THERMOMETER FUNCTIONS

- A built-in sensor measures temperature and shows the measured value on the display.
- The temperature display shows "LL" for temperatures below  $-19.9^{\circ}\text{C}$  ( $-3.8^{\circ}\text{F}$ ) and "HH" for temperatures above  $49.9^{\circ}\text{C}$  ( $121.8^{\circ}\text{F}$ ).
- Though temperature readings are displayed up to  $0^{\circ}\text{C}$  ( $32^{\circ}\text{F}$ ) and greater than  $41^{\circ}\text{C}$  ( $105^{\circ}\text{F}$ ), note that such readings are actually outside the guaranteed temperature range of this clock.

## HYGROMETER FUNCTIONS

A built-in sensor measures humidity and shows the measured value on the display.

- The humidity display shows "LL" for humidity below 20% and "HH" for humidity above 90%.
- Whenever the current temperature is outside the range of  $0^{\circ}\text{C}$  to  $49.9^{\circ}\text{C}$  ( $32^{\circ}\text{F}$  to  $121.8^{\circ}\text{F}$ ), the humidity display will show "--".

## BATTERY REPLACEMENT

### <Analog clock battery>

1. Remove the old battery.
2. Load a new battery, making sure that its positive (+) and negative (-) ends are facing correctly.
  - Loading a battery incorrectly can cause it to burst and damage the clock.

### <Digital display battery>

- Replace a battery whenever the display of the clock becomes dim and difficult to read.
1. Open the battery compartment cover as shown in the illustration.
  2. Remove the old battery.
  3. Load a new battery, making sure that its positive (+) and negative (-) ends are facing correctly.
    - Loading a battery incorrectly can cause it to burst and damage the clock.
  4. Replace the battery compartment cover.
  5. Press the **RESET button**. Be sure to press the **RESET button** after replacing a battery.

### Battery precautions

- Keep batteries out of the reach of small children. If a battery is accidentally swallowed, contact a physician immediately.
- Be sure to load the batteries with their positive (+) and negative (-) ends facing correctly.
- Never charge the batteries that come with the product.
- Should batteries ever leak while in the product, wipe out the fluid with a cloth, taking care not to let any get onto your skin.
- Replace the batteries at least once a year, even if the current batteries are working properly.
- The batteries that come with the product lose some of their power during transport and storage.

## SPECIFICATIONS

**Accuracy at Normal Temperature:**  $\pm 30$  seconds a month

**Thermometer Functions:** Measuring range:  $-19.9^{\circ}\text{C}$  to  $49.9^{\circ}\text{C}$  ( $-3.8^{\circ}\text{F}$  to  $121.8^{\circ}\text{F}$ )

Though temperature readings are displayed up to  $0^{\circ}\text{C}$  ( $32^{\circ}\text{F}$ ) and greater than  $41^{\circ}\text{C}$  ( $105^{\circ}\text{F}$ ), note that such readings are actually outside the guaranteed temperature range of this clock.

**Temperature Sensor Precision:**  $\pm 2^{\circ}\text{C}$  ( $\pm 4^{\circ}\text{F}$ ) in range of  $0^{\circ}\text{C}$  to  $40^{\circ}\text{C}$  ( $32^{\circ}\text{F}$  to  $104^{\circ}\text{F}$ )

**Hygrometer Function:** Measuring range: 20% to 90%, when temperature is  $0^{\circ}\text{C}$  to  $40^{\circ}\text{C}$  ( $32^{\circ}\text{F}$  to  $104^{\circ}\text{F}$ )

**Humidity Sensor Precision:**  $\pm 10\%$ , when temperature is  $5^{\circ}\text{C}$  to  $40^{\circ}\text{C}$  ( $41^{\circ}\text{F}$  to  $104^{\circ}\text{F}$ )

- A temperature reading and humidity reading are taken at an interval of approximately one minute.

**Battery Life:** Approximately 1 year

**Battery:** <Analog clock battery> One AA size battery (Type: R6P)

<Digital display battery> One lithium battery (Type: CR2032)

**Ambient Temperature Range:**  $0^{\circ}\text{C}$  to  $40^{\circ}\text{C}$  ( $32^{\circ}\text{F}$  to  $104^{\circ}\text{F}$ )

## Free Manuals Download Website

<http://myh66.com>

<http://usermanuals.us>

<http://www.somanuals.com>

<http://www.4manuals.cc>

<http://www.manual-lib.com>

<http://www.404manual.com>

<http://www.luxmanual.com>

<http://aubethermostatmanual.com>

Golf course search by state

<http://golfingnear.com>

Email search by domain

<http://emailbydomain.com>

Auto manuals search

<http://auto.somanuals.com>

TV manuals search

<http://tv.somanuals.com>