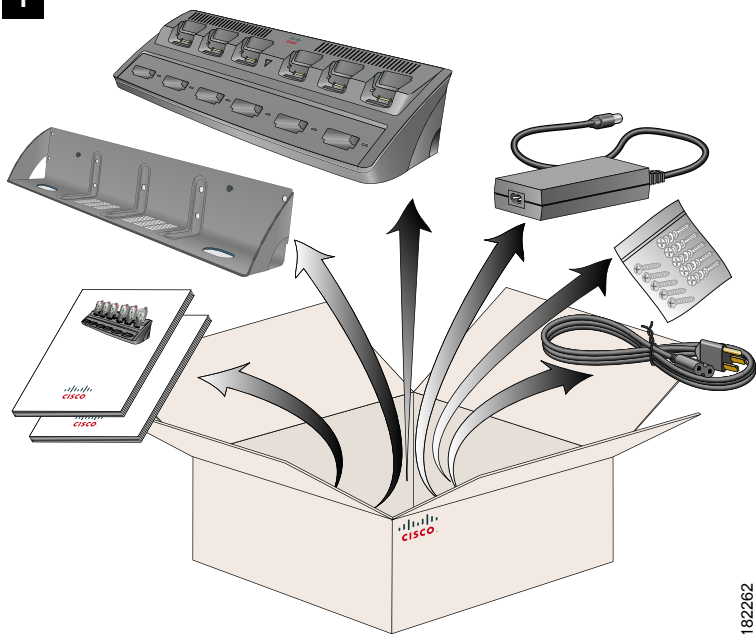


Cisco Unified Wireless IP Phone 7921G Multi-Charger

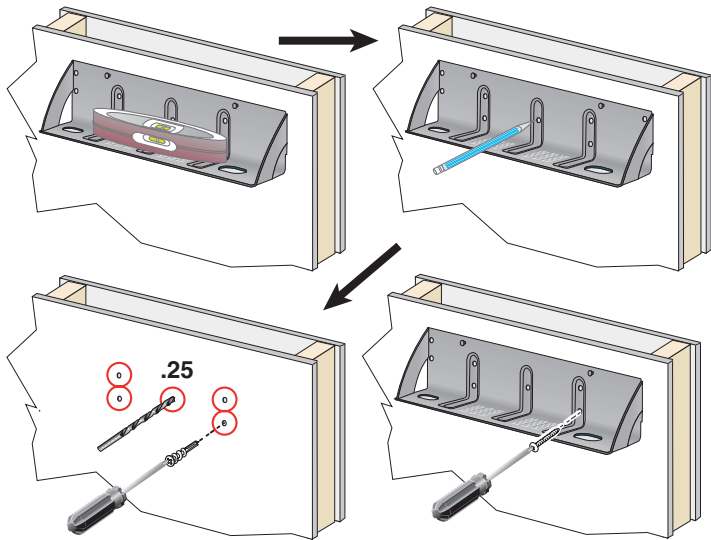


1



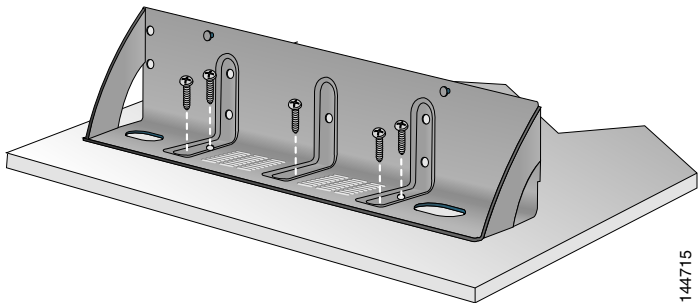
182262

2



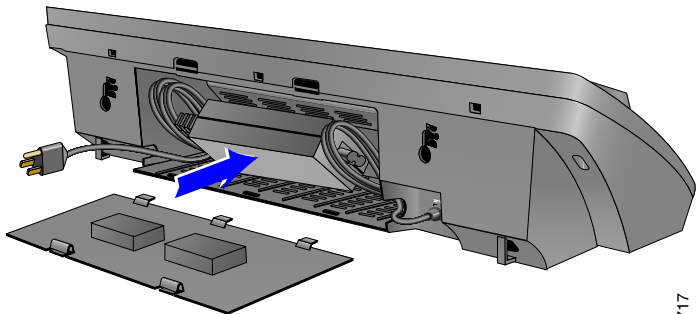
182283

3



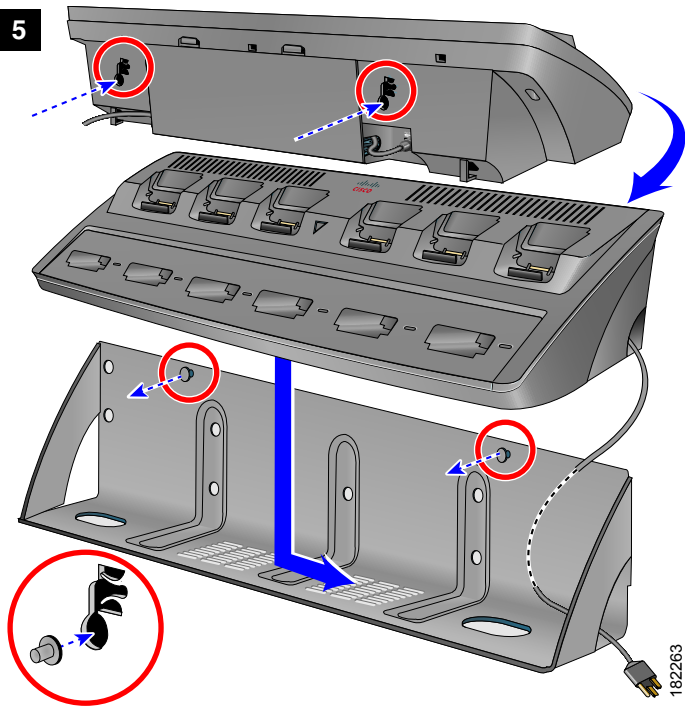
144715

4



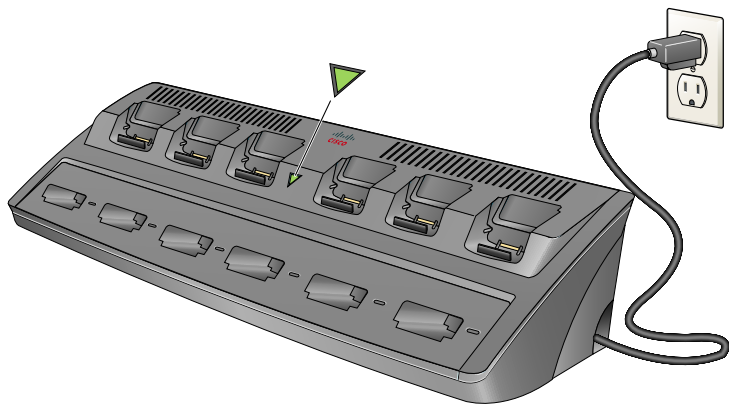
144717

5



182263

6



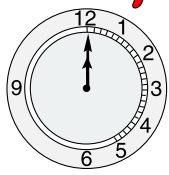
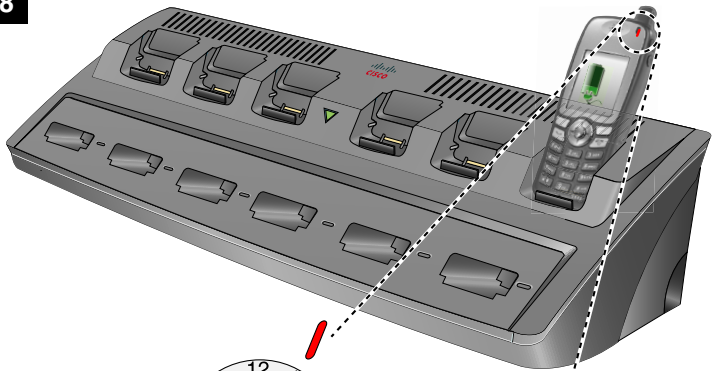
182264

7



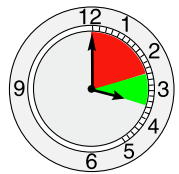
182265

8



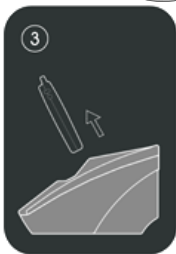
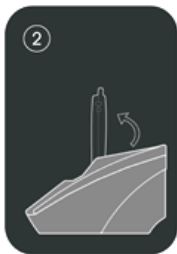
...

2:30+



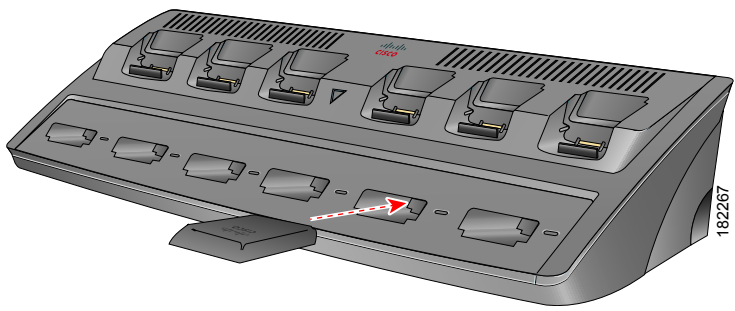
182266

9



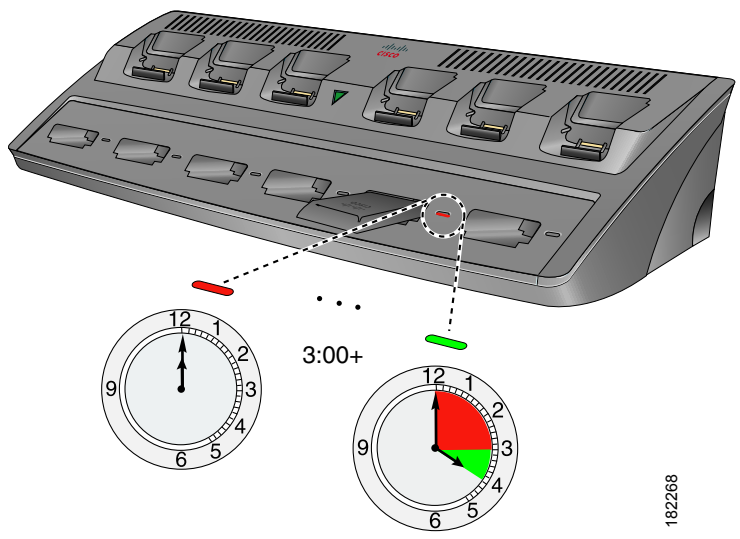
182284

10



182267

11



182268



**[www.cisco.com/en/US/products/hw/phones/
ps379/products_user_guide_list.html](http://www.cisco.com/en/US/products/hw/phones/ps379/products_user_guide_list.html)**

Free Manuals Download Website

<http://myh66.com>

<http://usermanuals.us>

<http://www.somanuals.com>

<http://www.4manuals.cc>

<http://www.manual-lib.com>

<http://www.404manual.com>

<http://www.luxmanual.com>

<http://aubethermostatmanual.com>

Golf course search by state

<http://golfingnear.com>

Email search by domain

<http://emailbydomain.com>

Auto manuals search

<http://auto.somanuals.com>

TV manuals search

<http://tv.somanuals.com>