



# Model DPC2434 and EPC2434 VoIP Wireless Home Gateway User Guide

## In This Document






■ IMPORTANT SAFETY INSTRUCTIONS .....	3
■ FCC Compliance .....	9
■ Introduction.....	10
■ What's In the Carton?.....	12
■ Front Panel Description .....	14
■ Back Panel Description .....	16
■ Where Is the Best Location for My Wireless Home Gateway?.....	20
■ What Are the System Requirements for Internet Service?.....	21
■ How Do I Set Up My High-Speed Internet Access Account? .....	22
■ How Do I Connect My Devices to Use the Internet? .....	23
■ How Do I Configure TCP/IP Protocol? .....	25
■ How Do I Install USB Drivers? .....	28
■ What Are the Requirements for Ethernet Network Devices? .....	29
■ How Do I Select and Place Ethernet Network Devices? .....	30
■ How Do I Connect Ethernet Network Devices?.....	31
■ What Are the Requirements for USB Network Devices?.....	33
■ How Do I Select and Place USB Network Devices?.....	34
■ How Do I Connect USB Network Devices? .....	35
■ How Do I Troubleshoot My Internet Service Installation? .....	37
■ What Are the Requirements for Wireless Network Devices? .....	40
■ How Do I Select and Place Wireless Network Devices? .....	41
■ How Do I Install Wireless Network Devices? .....	42

- How Do I Use My Wireless Home Gateway for Telephone Service? .....44
- Where Do I Place My Wireless Home Gateway for Telephone Service?..... 45
- What Are the Requirements for Telephone Service?.....46
- How Do I Install the Modem for Telephone Service? ..... 47
- How Do I Maintain the Batteries? .....50
- How Do I Mount the Modem on a Wall? (Optional).....52
- How Do I Configure the Wireless Home Gateway?.....56
- Telephone Service Frequently Asked Questions..... 131
- Access Basic Gateway Information ..... 133
- Having Difficulty? ..... 136
- Tips for Improved Performance ..... 139
- Front Panel LED Status Indicator Functions..... 140
- Notices..... 143
- For Information..... 144

# IMPORTANT SAFETY INSTRUCTIONS

## Notice to Installers





The servicing instructions in this notice are for use by qualified service personnel only. To reduce the risk of electric shock, do not perform any servicing other than that contained in the operating instructions, unless you are qualified to do so.

<p><b>Note to System Installer</b></p> <p>For this apparatus, the coaxial cable shield/ screen shall be grounded as close as practical to the point of entry of the cable into the building. For products sold in the US and Canada, this reminder is provided to call the system installer's attention to Article 820-93 and Article 820-100 of the NEC (or Canadian Electrical Code Part 1), which provides guidelines for proper grounding of the coaxial cable shield.</p> <div style="text-align: center;">  </div> <p>This symbol is intended to alert you that uninsulated voltage within this product may have sufficient magnitude to cause electric shock. Therefore, it is dangerous to make any kind of contact with any inside part of this product.</p>	<div style="text-align: center;">    </div> <p><b>CAUTION:</b> To reduce the risk of electric shock, do not remove cover (or back). No user-serviceable parts inside. Refer servicing to qualified service personnel.</p> <p><b>WARNING</b>  <b>TO PREVENT FIRE OR ELECTRIC SHOCK, DO NOT EXPOSE THIS UNIT TO RAIN OR MOISTURE.</b></p> <div style="text-align: center;">  </div> <p>This symbol is intended to alert you of the presence of important operating and maintenance (servicing) instructions in the literature accompanying this product.</p>
--	---

20070112 SysInstaller 820 English

## Notice à l'attention des installateurs de réseaux câblés


Les instructions relatives aux interventions d'entretien, fournies dans la présente notice, s'adressent exclusivement au personnel technique qualifié. Pour réduire les risques de chocs électriques, n'effectuer aucune intervention autre que celles décrites dans le mode d'emploi et les instructions relatives au fonctionnement, à moins que vous ne soyez qualifié pour ce faire.

<p><b>Remarque à l'attention de l'installateur du système</b></p> <p>Avec cet appareil, le blindage/écran du câble coaxial doit être mis à la terre aussi près que possible du point d'entrée du câble dans le bâtiment. En ce qui concerne les produits vendus aux États-Unis et au Canada, ce rappel est fourni pour attirer l'attention de l'installateur sur les articles 820-93 et 820-100 du Code national de l'électricité (ou Code de l'électricité canadien, Partie 1) qui fournissent des lignes directrices concernant la mise à la terre correcte du blindage (écran) du câble coaxial.</p> <div style="text-align: center;">  </div> <p>Ce symbole a pour but de vous prévenir que des tensions électriques non isolées existent à l'intérieur de ce produit, pouvant être d'une intensité suffisante pour causer des chocs électriques. Il est donc dangereux d'établir un contact quelconque avec l'une des pièces comprises à l'intérieur de ce produit.</p>	<div style="text-align: center;">    </div> <p><b>ATTENTION :</b> Pour réduire les risques de chocs électriques, ne pas enlever le couvercle (ou le panneau arrière). Ne contient aucune pièce réparable par l'utilisateur. Confier les interventions aux techniciens d'entretien qualifiés.</p> <p><b>AVERTISSEMENT</b>  <b>POUR ÉVITER LES INCENDIES OU LES CHOC ÉLECTRIQUES, NE PAS EXPOSER L'APPAREIL À LA PLUIE OU À L'HUMIDITÉ.</b></p> <div style="text-align: center;">  </div> <p>Ce symbole a pour but de vous prévenir de la présence d'instructions importantes relatives au fonctionnement ou à l'entretien (et aux réparations) dans la documentation accompagnant ce produit.</p>
---	---

20070112 SysInstaller 820 French

## Mitteilung für CATV-Techniker

Die in dieser Mitteilung aufgeführten Wartungsanweisungen sind ausschließlich für qualifiziertes Fachpersonal bestimmt. Um die Gefahr eines elektrischen Schlags zu reduzieren, sollten Sie keine Wartungsarbeiten durchführen, die nicht ausdrücklich in der Bedienungsanleitung aufgeführt sind, außer Sie sind zur Durchführung solcher Arbeiten qualifiziert.

<p><b>Mitteilung an den Systemtechniker</b></p> <p>Für dieses Gerät muss der Koaxialkabelschutz/ Schirm so nahe wie möglich am Eintrittspunkt des Kabels in das Gebäude geerdet werden. Dieser Erinnerungshinweis liegt den in den USA oder Kanada verkauften Produkten bei. Er soll den Systemtechniker auf Paragraph 820-93 und Paragraph 820-100 der US-Elektrovorschrift NEC (oder der kanadischen Elektrovorschrift Canadian Electrical Code Teil 1) aufmerksam machen, in denen die Richtlinien für die ordnungsgemäße Erdung des Koaxialkabelschirms festgehalten sind.</p>  <p>Dieses Symbol weist den Benutzer auf das Vorhandensein von nicht isolierten gefährlichen Spannungen im Gerät hin, die Stromschläge verursachen können. Ein Kontakt mit den internen Teilen dieses Produktes ist mit Gefahren verbunden.</p>	<table border="1"> <tr> <td data-bbox="760 447 829 506"></td> <td data-bbox="841 415 997 478"> <p><b>CAUTION</b> RISK OF ELECTRIC SHOCK DO NOT OPEN</p> </td> <td data-bbox="1008 447 1078 506"></td> </tr> <tr> <td></td> <td data-bbox="841 485 997 548"> <p><b>ACHTUNG</b> STROMSCHLAGEGFAHR, NICHT OFFNEN</p> </td> <td></td> </tr> </table> <p><b>ACHTUNG:</b> Zur Vermeidung eines Stromschlags darf die Abdeckung (bzw. die Geräterückwand) nicht entfernt werden. Das Gerät enthält keine vom Benutzer wartbaren Teile. Wartungsarbeiten dürfen nur von qualifiziertem Fachpersonal durchgeführt werden.</p> <p><b>WARNUNG</b> DAS GERÄT NICHT REGEN ODER FEUCHTIGKEIT AUSSETZEN, UM STROMSCHLAG ODER DURCH EINEN KURZSCHLUSS VERURSACHTEN BRAND ZU VERMEIDEN.</p>  <p>Dieses Symbol weist den Benutzer darauf hin, dass die mit diesem Produkt gelieferte Dokumentation wichtige Betriebs- und Wartungsanweisungen für das Gerät enthält.</p>		<p><b>CAUTION</b> RISK OF ELECTRIC SHOCK DO NOT OPEN</p>			<p><b>ACHTUNG</b> STROMSCHLAGEGFAHR, NICHT OFFNEN</p>	
	<p><b>CAUTION</b> RISK OF ELECTRIC SHOCK DO NOT OPEN</p>						
	<p><b>ACHTUNG</b> STROMSCHLAGEGFAHR, NICHT OFFNEN</p>						

20070112 SysInstaller 820 German

## Aviso a los instaladores de sistemas CATV

Las instrucciones de reparación contenidas en el presente aviso son para uso exclusivo por parte de personal de mantenimiento cualificado. Con el fin de reducir el riesgo de descarga eléctrica, no realice ninguna otra operación de reparación distinta a las contenidas en las instrucciones de funcionamiento, a menos que posea la cualificación necesaria para hacerlo.

<p><b>Nota para el instalador del sistema</b></p> <p>En lo que se refiere a este aparato, el blindaje del cable coaxial debe conectarse a tierra lo más cerca posible al punto por el cual el cable entra en el edificio. En el caso de los productos vendidos en los EE. UU. y Canadá, el presente aviso se suministra para llamar la atención del instalador del sistema sobre los Artículos 820-93 y 820-100 del NEC (o Código Eléctrico de Canadá, Parte 1), que proporcionan directrices para una correcta conexión a tierra del blindaje del cable coaxial.</p>  <p>Este símbolo tiene como fin advertirle de que una tensión sin aislamiento en el interior de este producto podría ser de una magnitud suficiente como para provocar una descarga eléctrica. Por consiguiente, resulta peligroso realizar cualquier tipo de contacto con alguno de los componentes internos de este producto.</p>	<table border="1"> <tr> <td data-bbox="760 1234 829 1293"></td> <td data-bbox="841 1203 997 1266"> <p><b>CAUTION</b> RISK OF ELECTRIC SHOCK DO NOT OPEN</p> </td> <td data-bbox="1008 1234 1078 1293"></td> </tr> <tr> <td></td> <td data-bbox="841 1272 997 1335"> <p><b>ATENCIÓN</b> RIESGO DE DESCARGA ELÉCTRICA NO ABRIR</p> </td> <td></td> </tr> </table> <p><b>ATENCIÓN:</b> con el fin de reducir el riesgo de descarga eléctrica, no retire la tapa (ni la parte posterior). No existen en el interior componentes que puedan ser reparados por el usuario. Encargue su revisión a personal de mantenimiento cualificado.</p> <p><b>ADVERTENCIA</b> PARA EVITAR EL RIESGO DE INCENDIO O DESCARGA ELÉCTRICA, NO EXPONGA LA UNIDAD A LA LLUVIA O A LA HUMEDAD.</p>  <p>Este símbolo tiene como fin alertarle de la presencia de importantes instrucciones de operación y mantenimiento (revisión) contenidas en la literatura que acompaña al producto.</p>		<p><b>CAUTION</b> RISK OF ELECTRIC SHOCK DO NOT OPEN</p>			<p><b>ATENCIÓN</b> RIESGO DE DESCARGA ELÉCTRICA NO ABRIR</p>	
	<p><b>CAUTION</b> RISK OF ELECTRIC SHOCK DO NOT OPEN</p>						
	<p><b>ATENCIÓN</b> RIESGO DE DESCARGA ELÉCTRICA NO ABRIR</p>						

20070112 SysInstaller 820 Spanish

## Read These Instructions

## Keep These Instructions

## Heed All Warnings

## Follow All Instructions

### Power Source Warning

A label on this product indicates the correct power source for this product. Operate this product only from an electrical outlet with the voltage and frequency indicated on the product label. If you are uncertain of the type of power supply to your home or business, consult your service provider or your local power company.

The AC inlet on the unit must remain accessible and operable at all times.

### Ground the Product



**WARNING: Avoid electric shock and fire hazard! Do not defeat the safety purpose of the polarized or grounding-type plug. A polarized plug has two blades with one wider than the other. A grounding-type plug has two blades and a third grounding prong. The wide blade or the third prong is provided for your safety. If the provided plug does not fit into your outlet, consult an electrician for replacement of the obsolete outlet.**

If this product connects to coaxial cable wiring, be sure the cable system is grounded (earthed). Grounding provides some protection against voltage surges and built-up static charges.

### Protect the Product from Lightning

For added protection, unplug this apparatus during lightning storms or when unused for long periods of time. In addition to disconnecting the AC power from the wall outlet, disconnect the signal inputs.

### Verify the Power Source from the On/Off Power Light

When the on/off power light is not illuminated, the apparatus may still be connected to the power source. The light may go out when the apparatus is turned off, regardless of whether it is still plugged into an AC power source.

### Eliminate AC Mains Overloads



**WARNING: Avoid electric shock and fire hazard! Do not overload AC mains, outlets, extension cords, or integral convenience receptacles. For products that require battery power or other power sources to operate them, refer to the operating instructions for those products.**

## IMPORTANT SAFETY INSTRUCTIONS

### Prevent Power Cord Damage

Protect the power cord from being walked on or pinched, particularly at plugs, convenience receptacles, and the point where the cord exits from the apparatus.

### Handling Optional, Rechargeable Battery

This product may contain a rechargeable Lithium-Ion battery to provide stand-by operation in the event of an AC power failure. Heed the following warning and see the instructions later in this guide for handling, replacing, and disposing of the battery.



**WARNING: There is danger of explosion if the battery is mishandled or incorrectly replaced. Replace only with the same type of battery. Do not disassemble it or attempt to recharge it outside the system. Do not crush, puncture, dispose of in fire, short the external contacts, or expose to water or other liquids. Dispose of the battery in accordance with local regulations and instructions from your service provider.**

### Handling Disposable Batteries

This product may contain disposable batteries.

Heed the preceding warning about explosion and disposal issues, and follow the Safety and Disposal instructions below.

#### Safety

- Insert batteries correctly. There may be a risk of explosion if the batteries are incorrectly inserted.
- Do not attempt to recharge 'disposable' or 'non-reusable' batteries.
- Please follow instructions provided for charging 'rechargeable' batteries.
- Replace batteries with the same or equivalent type that we recommend.
- Do not expose batteries to temperatures above 100°C (212°F).

#### Disposal

- The batteries may contain substances that could be harmful to the environment.
- Recycle or dispose of batteries in accordance with the battery manufacturer's instructions and local/national disposal and recycling regulations.



廢電池請回收

- The batteries may contain perchlorate, a known hazardous substance, so special handling and disposal of this product might be necessary. For more information about perchlorate and best management practices for perchlorate-containing substance, see [www.dtsc.ca.gov/hazardouswaste/perchlorate](http://www.dtsc.ca.gov/hazardouswaste/perchlorate)

### Provide Ventilation and Select a Location

- Remove all packaging material before applying power to the product.
- Do not block any ventilation openings. Install in accordance with the manufacturer's instructions.

- Do not place this apparatus on a bed, sofa, rug, or similar surface.
- Do not place this apparatus on an unstable surface.
- Do not install near any heat sources such as radiators, heat registers, stoves, or other apparatus (including amplifiers) that produce heat.
- Do not install this apparatus in an enclosure, such as a bookcase or rack, unless the installation provides proper ventilation.
- Do not place entertainment devices (such as VCRs or DVDs), lamps, books, vases with liquids, or other objects on top of this product.

## Protect from Exposure to Moisture and Foreign Objects

Do not use this apparatus near water.



**WARNING: Avoid electric shock and fire hazard! Do not expose this product to liquids, rain, or moisture.**



**WARNING: Avoid electric shock and fire hazard! Unplug this product before cleaning. Clean only with a dry cloth. Do not use a liquid cleaner or an aerosol cleaner. Do not use a magnetic/static cleaning device (dust remover) to clean this product.**



**WARNING: Avoid electric shock and fire hazard! Never push objects through the openings in this product. Foreign objects can cause electrical shorts that can result in electric shock or fire.**

## Accessories Warning



**WARNING: Avoid electric shock and fire hazard! Only use attachments/accessories specified by your service provider or the manufacturer.**

## Service Warnings



**WARNING: Avoid electric shock! Do not open the cover of this product. Opening or removing the cover may expose you to dangerous voltages. If you open the cover, your warranty will be void. This product contains no user-serviceable parts. Refer all servicing to qualified service personnel.**

Servicing is required when the apparatus has been damaged in any way, such as a power-supply cord or plug is damaged, liquid has been spilled or objects have fallen into the apparatus, the apparatus has been exposed to rain or moisture, does not operate normally, or has been dropped.



## IMPORTANT SAFETY INSTRUCTIONS

### Check Product Safety

Upon completion of any service or repairs to this product, the service technician must perform safety checks to determine that this product is in proper operating condition.

### Protect the Product When Moving It

Always disconnect the power source when moving the apparatus or connecting or disconnecting cables.



**WARNING: Avoid personal injury and damage to this product! Use only with the cart, stand, tripod, bracket, or table specified by the manufacturer or sold with the apparatus. When a cart is used, use caution when moving the cart / apparatus combination to avoid injury from tip-over.**

20080402 Modem Cable with Recharge Battery



## FCC Compliance

### United States FCC Compliance

This device has been tested and found to comply with the limits for a Class B digital device, pursuant to part 15 of the FCC Rules. These limits are designed to provide reasonable protection against such interference in a residential installation. This equipment generates, uses, and can radiate radio frequency energy. If not installed and used in accordance with the instructions, it may cause harmful interference to radio communications. However, there is no guarantee that interference will not occur in a particular installation. If this equipment does cause harmful interference to radio or television reception, which can be determined by turning the equipment OFF and ON, the user is encouraged to try to correct the interference by one or more of the following measures:

- Reorient or relocate the receiving antenna.
- Increase the separation between the equipment and receiver.
- Connect the equipment into an outlet on a circuit different from that to which the receiver is connected.
- Consult the cable company or an experienced radio/television technician for help.

Any changes or modifications not expressly approved by Scientific-Atlanta, Inc., could void the user's authority to operate the equipment.

The information shown in the FCC Declaration of Conformity paragraph below is a requirement of the FCC and is intended to supply you with information regarding the FCC approval of this device. *The phone numbers listed are for FCC-related questions only and not intended for questions regarding the connection or operation for this device. Please contact your cable service provider for any questions you may have regarding the operation or installation of this device.*

### Declaration of Conformity

This device complies with Part 15 of FCC Rules. Operation is subject to the following two conditions: 1) the device may not cause harmful interference, and 2) the device must accept any interference received, including interference that may cause undesired operation.

VoIP Wireless Home Gateway  
 Models: DPC2434 and EPC2434  
 Manufactured by:  
 Scientific-Atlanta, Inc.  
 5030 Sugarloaf Parkway  
 Lawrenceville, Georgia 30044 USA  
 Telephone: 770-236-1077

### Canada EMI Regulation

This Class B digital apparatus complies with Canadian ICES-003.

Cet appareil numérique de la class B est conforme à la norme NMB-003 du Canada.

20060628 FCC Standard

## Introduction

Welcome to the exciting world of high-speed Internet and high-quality digital telephone service. Your new Model DPC2434 or EPC2434 Voice-over-Internet Protocol (VoIP) Wireless Home Gateway is a cable modem that meets industry standards for high-speed data connectivity along with reliable digital telephone service. The DPC2434 and EPC2434 wireless home gateways deliver data, voice and wired (Ethernet) or wireless gateway capabilities to connect a variety of devices in the home or small office and support high-speed data access and VoIP services, all in one device. With a DPC2434 or EPC2434 wireless home gateway, your Internet enjoyment, home and business communications, and personal productivity will surely soar.

This guide provides procedures and recommendations for placing, installing, configuring, operating, and troubleshooting your DPC2434 or EPC2434 wireless home gateway for high-speed Internet and digital telephone service for your home or office. Refer to the appropriate section in this guide for the specific information you need for your situation. Contact your service provider for more information about subscribing to these services.

## Benefits and Features

Your new DPC2434 or EPC2434 wireless home gateway offers the following outstanding benefits and features:

- Features an embedded media terminal adapter (EMTA) supporting two-line voice services
- Provides a high-speed broadband Internet connection that energizes your online experience, such as providing hassle-free downloading and sharing files and photos with your family and friends
- Includes four 10/100BASE-T Ethernet ports and a USB port to provide connectivity for high-speed data services or to other Internet devices
- Assures a broad range of interoperability with most service providers by complying with Data Over Cable System Interface Specifications (DOCSIS®) 1.0, 1.1, and 2.0 standards along with PacketCable™ 1.0 specifications to deliver high-end performance and reliability
- Includes two RJ-11 telephony ports for connecting conventional telephones or fax machines
- Allows you to attach multiple devices in your home or office to the wireless home gateway for high-speed wired and wireless networking and sharing of files and folders without first copying them onto a CD or diskette
- Optional model includes up to two internal Lithium-Ion cartridge-style batteries for convenient and long-lasting backup power

- Features Plug and Play operation for easy set up and installation
- Provides parental control and advanced firewall technology
- Utilizes an attractive compact design that allows for vertical, horizontal, or wall-mount placement
- Allows automatic software upgrades by your service provider

## What's In the Carton?

When you receive your wireless home gateway, you should check the equipment and accessories to verify that each item is in the carton and that each item is undamaged. The carton contains the following items:



One of the following DPC2434 or EPC2434 VoIP Wireless Home Gateway versions:

- With or without battery backup capability
- With internal or external power supply



One AC power cord (models with internal power supply)

or



One power adapter (models requiring external power supply)



One Ethernet cable (CAT5/RJ-45)



One USB cable (not included with some models)



One CD-ROM containing the user's guide and the USB drivers



Lithium Ion cartridge battery (not included with some models)

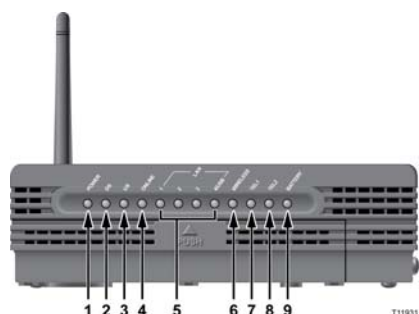
If any of these items are missing or damaged, please contact your service provider for assistance.

**Notes:**

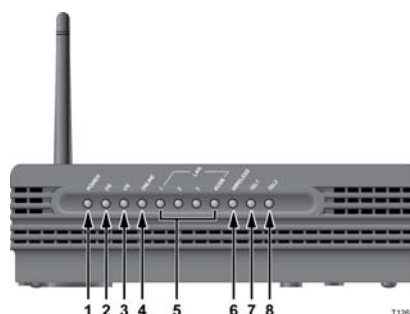
- You will need an optional cable signal splitter and additional standard RF coaxial cables if you want to connect a VCR, a Digital Home Communications Terminal (DHCT) or a set-top converter, or a TV to the same cable connection as your wireless home gateway.
- Cables and other equipment needed for telephone service must be purchased separately. Contact your service provider to inquire about the equipment and cables you need for telephone service.

## Front Panel Description

The front panel of your wireless home gateway provides LED status indicators that indicate how well and at what state your wireless home gateway is operating. See *Front Panel LED Status Indicator Functions* (on page 140), for more information on front panel LED status indicator functions.



**DPC2434 or EPC2434  
(with battery backup capability)**



**DPC2434 or EPC2434  
(without battery backup capability)**

- 1 POWER**—On indicates that AC power is being applied to the wireless home gateway
- 2 DS**—On indicates that the wireless home gateway is receiving data from the cable network
- 3 US**—On indicates that the wireless home gateway is sending data to the cable network
- 4 ONLINE**—On indicates that the wireless home gateway is registered on the network and fully operational
- 5 LAN1 - LAN4/USB**—On indicates that an Ethernet/USB connection is present and blinking indicates that Ethernet/USB data is being transferred between a PC and the wireless home gateway
- 6 WIRELESS**—On indicates that the wireless access point is enabled and operational and blinking indicates that wireless data is being transferred between a PC and the wireless home gateway. The LED is off when the wireless access point is disabled by the user
- 7 TEL1**—On indicates that telephony service is enabled. Blinking indicates that line 1 is in use
- 8 TEL2**—On indicates that telephony service is enabled. Blinking indicates that line 2 is in use

- 9 **BATTERY (optional model only)** – On indicates that the battery is charged. Blinking indicates that the battery charge is low. Off indicates that the unit operating from battery power, that the battery charge is depleted, or the battery is defective or missing

**Notes:**

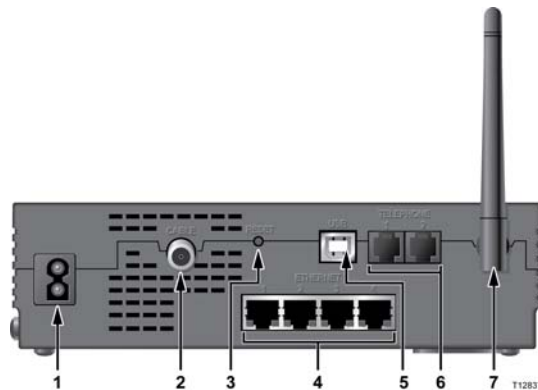
- After the wireless home gateway is successfully registered on the network, the **POWER** (LED 1), **DS** (LED2), **US** (LED3), and **ONLINE** (LED 4) LEDs illuminate continuously to indicate that the cable modem is active and fully operational.
- The wireless home gateway high-speed data operation is disabled when operating on battery power and only the telephone service is active.
- LEDs may behave differently when the wireless home gateway is running on battery power (without AC power). Most LEDs are disabled if the unit is operating on battery power. In this mode, the **POWER** LED blinks to indicate that the unit is operating under battery power.
- The gateway should only run on battery power when AC power has failed. If the **POWER** LED indicates that the unit is running on battery power but the AC power has *not* failed, verify that the power cord is plugged into a working AC outlet.



## Back Panel Description

The following illustrations show the description and function of the back panel components on the DPC2434 or EPC2434.

### Internal Power Supply Model



DPC2434 or EPC2434 (with internal power supply)

**Important:** Do not connect any single PC to *both* the Ethernet and USB ports at the same time. Your wireless home gateway will not function properly.

- 1 **POWER**— Connects the wireless home gateway to the AC power cord that is provided with your wireless home gateway



**CAUTION:**

Avoid damage to your equipment. Only use the AC power cord that is provided with your wireless home gateway.

- 2 **CABLE**— F-connector connects to an active cable signal from your service provider

- 3 **RESET**

- **Soft Reset**— Pressing the **Reset** switch momentarily (less than 1 second) initiates a “soft” reset of the wireless home gateway. A soft reset causes the gateway to restart and to re-register on the network. A soft reset will not erase your personal settings configured in the gateway.
- **Factory Reset**— Activating this switch resets the EMTA. Pressing the reset switch and holding it in for more than ten seconds resets the device to factory default values and restarts the EMTA. A factory reset will reset all settings to the original factory settings and will erase all your personal settings configured in the gateway.

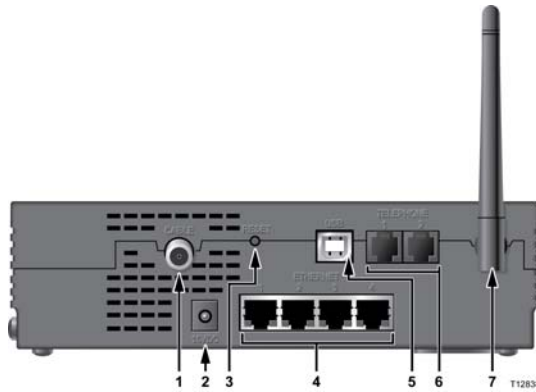


**CAUTION:**

The Reset button is for maintenance purposes only. Do not use unless instructed to do so by your service provider. Doing so may cause you to lose any cable modem settings you have selected.

- 4 **ETHERNET** – Four RJ-45 Ethernet ports connect to the Ethernet port on your PC or your home network
- 5 **USB** – USB 2.0 port connects to the USB port on your PC
- 6 **TELEPHONE 1 and 2** – RJ-11 telephone ports connect to home telephone wiring to conventional telephones or fax machines
- 7 **ANTENNA** – Provides a communication connection for the built-in wireless access point (WAP) to allow wireless devices to communicate with the modem

### External Power Supply Model



### DPC2434 or EPC2434 (with external power supply)

**Important:** Do not connect any single PC to *both* the Ethernet and USB ports at the same time. Your wireless home gateway will not function properly.

- 1 **CABLE** – F-connector connects to an active cable signal from your service provider
- 2 **15VDC** – Connects the wireless home gateway to the AC power adapter that is provided with your wireless home gateway



#### CAUTION:

Avoid damage to your equipment. Only use the power supply that is provided with your wireless home gateway.

- 3 **RESET**

- **Soft Reset** – Pressing the **Reset** switch momentarily (less than 1 second) initiates a “soft” reset of the wireless home gateway. A soft reset causes the gateway to restart and to re-register on the network. A soft reset will not erase your personal settings configured in the gateway.
- **Factory Reset** – Activating this switch resets the EMTA. Pressing the reset switch and holding it in for more than ten seconds resets the device to factory default values and restarts the EMTA. A factory reset will reset all settings to the original factory settings and will erase all your personal settings configured in the gateway.



#### CAUTION:

The Reset button is for maintenance purposes only. Do not use unless instructed to do so by your service provider. Doing so may cause you to lose any cable modem settings you have selected.

- 4 **ETHERNET** – Four RJ-45 Ethernet ports connect to the Ethernet port on your PC or your home network

- 5 **USB** – USB 2.0 port connects to the USB port on your PC
- 6 **TELEPHONE 1 and 2** – RJ-11 telephone ports connect to home telephone wiring to conventional telephones or fax machines
- 7 **ANTENNA** – Provides a communication connection for the built-in wireless access point (WAP) to allow wireless devices to communicate with the wireless home gateway

## Where Is the Best Location for My Wireless Home Gateway?

The ideal location for your wireless home gateway is where it has access to outlets and other devices. Think about the layout of your home or office, and consult with your service provider to select the best location for your wireless home gateway. Read this user guide thoroughly before you decide where to place your wireless home gateway.

Consider these recommendations:

- Position your PC and wireless home gateway so that they are located near an AC power outlet.
- Position your PC and wireless home gateway so that they are located near an existing cable input connection to eliminate the need for an additional cable outlet. There should be plenty of room to guide the cables away from the modem and the PC without straining or crimping them.
- Airflow around the wireless home gateway should not be restricted.
- Choose a location that protects the wireless home gateway from accidental disturbance or harm.

## What Are the System Requirements for Internet Service?

To ensure that your wireless home gateway operates efficiently for high-speed Internet service, verify that all of the Internet devices on your system meet or exceed the following minimum hardware and software requirements.

**Note:** You will also need an active cable input line and an Internet connection.

### Minimum System Requirements for a PC

- A PC with a Pentium MMX 133 processor or greater
- 32 MB of RAM
- Web browsing software
- CD-ROM drive

### Minimum System Requirements for Macintosh

- MAC OS 7.5 or later
- 32 MB of RAM

### System Requirements for an Ethernet Connection

- A PC with Microsoft Windows 95 operating system (or later) with TCP/IP protocol installed, or an Apple Macintosh computer with TCP/IP protocol installed
- An active 10/100BASE-T Ethernet network interface card (NIC) installed

### System Requirements for a USB Connection

- A PC with Microsoft Windows 98SE, ME, 2000, XP, or Vista operating system
- A master USB port installed in your PC

## How Do I Set Up My High-Speed Internet Access Account?

Before you can use your wireless home gateway, you need to have a high-speed Internet access account. If you do not have a high-speed Internet access account, you need to set up an account with your local service provider. Choose one of the two options in this section.

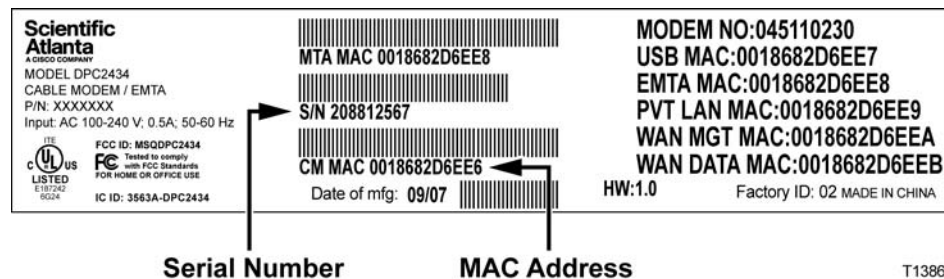
### I Do Not Have a High-Speed Internet Access Account

If you do *not* have a high-speed Internet access account, your service provider will set up your account and become your Internet Service Provider (ISP). Internet access enables you to send and receive email, access the World Wide Web, and receive other Internet services.

You will need to give your service provider the following information:

- The serial number of the modem
- The Media Access Control (MAC) address of the modem

These numbers appear on a bar code label located on the wireless home gateway. The serial number consists of a series of alphanumeric characters preceded by **S/N**. The MAC address consists of a series of alphanumeric characters preceded by **CM MAC**. The following illustration shows a sample bar code label.



Write down these numbers in the space provided here.

Serial Number \_\_\_\_\_

MAC Address \_\_\_\_\_

### I Already Have an Existing High-Speed Internet Access Account

If you have an existing high-speed Internet access account, you must give your service provider the serial number and the MAC address of the wireless home gateway. Refer to the serial number and MAC address information listed previously in this section.

**Note:** You may not be able to continue to use your existing email account with your wireless home gateway. Contact your service provider for more information.



## How Do I Connect My Devices to Use the Internet?

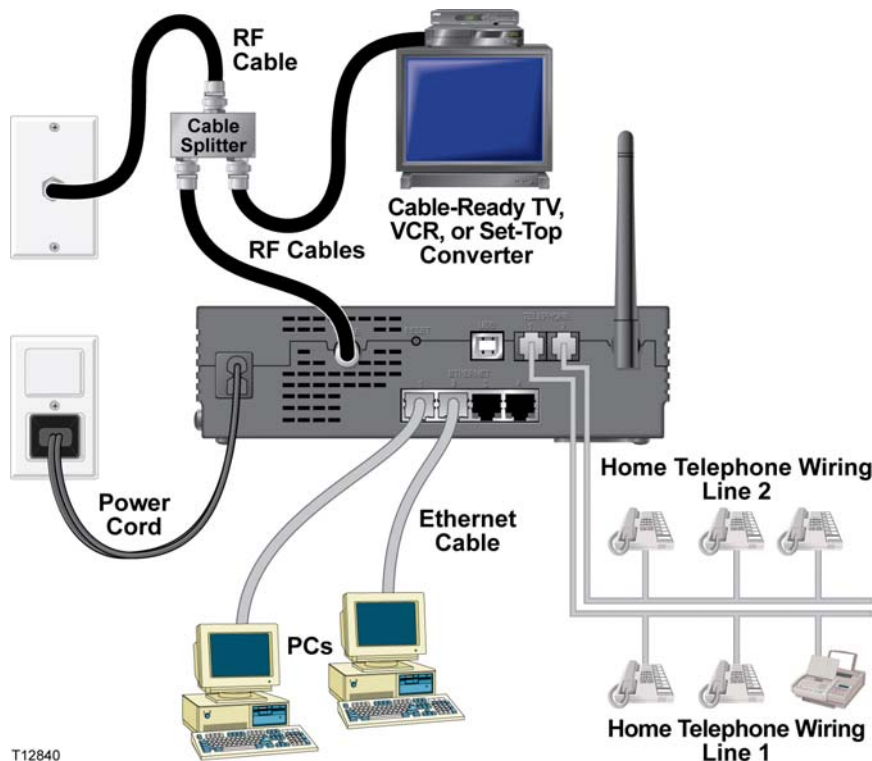
You can use your wireless home gateway to access the Internet, and you can share that Internet connection with other Internet devices in your home or office. Sharing one connection among many devices is called networking.

### Connecting and Installing Internet Devices

You must connect and install your wireless home gateway to access the Internet. Professional installation may be available. Contact your local service provider for further assistance.

To connect devices

The following diagram illustrates one of the various networking options that are available to you.



## Connecting the Modem for High-Speed Data Service



### WARNING:

To avoid personal injury or damage to your equipment, follow these steps in the exact order shown.

- 1 Power off your PC and unplug it from the power source.
- 2 Connect your PC to *either* the **ETHERNET** port *or* the **USB** port using the appropriate data cable. Do *not* connect your PC to *both* the Ethernet and USB ports at the same time. You can connect two separate PCs to the wireless home gateway at the same time by connecting one PC to the Ethernet port and one PC to the USB port.
- 3 Connect the active RF coaxial cable to the **CABLE** connector. Use an optional cable signal splitter to add a TV, a DHCT or set-top converter, or a VCR.
- 4 Insert the AC power cord into the **POWER** connector on the back of the wireless home gateway, and then plug the cord into an AC power source.
- 5 Plug in and power on your networked devices including your PC. The wireless home gateway will then begin an automatic search to locate and sign on to the broadband data network. This process may take up to 5 minutes. The modem will be ready for use when the **ONLINE** LED status indicator on the front panel stops blinking and illuminates continuously.
- 6 The next step in setting up your wireless home gateway is to configure your Internet devices for Internet access. Choose one of the following options:
  - If you want to use Ethernet connections, you must configure the TCP/IP protocol. To configure the TCP/IP protocol, go to *How Do I Configure TCP/IP Protocol?* (on page 25).
  - If you want to use USB connections, you must install the USB drivers. To install the USB Drivers for USB, go to *How Do I Install USB Drivers?* (on page 28).

## How Do I Configure TCP/IP Protocol?

To configure TCP/IP protocol, you need to have an Ethernet Network Interface Card (NIC) with TCP/IP communications protocol installed on your system. TCP/IP is a communications protocol used to access the Internet. This section contains instructions for configuring TCP/IP on your Internet devices to operate with the wireless home gateway in Microsoft Windows or Macintosh environments.

### Configuring TCP/IP on Your Internet Devices

TCP/IP protocol in a Microsoft Windows environment is different for each operating system. Follow the appropriate instructions in this section for your operating system.

#### Configuring TCP/IP on Windows 95, 98, 98SE, or ME Systems

- 1 Click **Start**, select **Settings**, and choose **Control Panel**.
- 2 Double-click the **Network** icon in the Control Panel window.
- 3 Read the list of installed network components under the **Configuration** tab to verify that your PC contains the TCP/IP protocol/Ethernet adapter.
- 4 Is TCP/IP protocol listed in the installed network components list?
  - If **yes**, go to step 7.
  - If **no**, click **Add**, click **Protocol**, click **Add**, and then go to step 5.
- 5 Click **Microsoft** in the Manufacturers list.
- 6 Click **TCP/IP** in the Network Protocols list, and then click **OK**.
- 7 Click the **TCP/IP Ethernet Adapter** protocol, and then choose **Properties**.
- 8 Click the **IP Address** tab, and then select **Obtain an IP address automatically**.
- 9 Click the **Gateway** tab and verify that these fields are empty. If they are not empty, highlight and delete all information from the fields.
- 10 Click the **DNS Configuration** tab, and then select **Disable DNS**.
- 11 Click **OK**.
- 12 Click **OK** when the system finishes copying the files, and then close all networking windows.
- 13 Click **YES** to restart your computer when the System Settings Change dialog box opens. The computer restarts. The TCP/IP protocol is now configured on your PC, and your Ethernet devices are ready for use.
- 14 Try to access the Internet. If you cannot access the Internet, go to *Having Difficulty?* (on page 136). If you still cannot access the Internet, contact your service provider for further assistance.

## How Do I Configure TCP/IP Protocol?

### Configuring TCP/IP on Windows 2000 Systems

- 1 Click **Start**, select **Settings**, and choose **Network and Dial-up Connections**.
- 2 Double-click the **Local Area Connection** icon in the Network and Dial-up Connections window.
- 3 Click **Properties** in the Local Area Connection Status window.
- 4 Click **Internet Protocol (TCP/IP)** in the Local Area Connection Properties window, and then click **Properties**.
- 5 Select both **Obtain an IP address automatically** and **Obtain DNS server address automatically** in the Internet Protocol (TCP/IP) Properties window, and then click **OK**.
- 6 Click **Yes** to restart your computer when the Local Network window opens. The computer restarts. The TCP/IP protocol is now configured on your PC, and your Ethernet devices are ready for use.
- 7 Try to access the Internet. If you cannot access the Internet, go to *Having Difficulty?* (on page 136). If you still cannot access the Internet, contact your service provider for further assistance.

### Configuring TCP/IP on Windows XP Systems

- 1 Click **Start**, and depending on your Start menu setup, choose one of the following options:
  - If you are using the Windows XP Default Start Menu, select **Connect to**, choose **Show all connections**, and then go to step 2.
  - If you are using the Windows XP Classic Start Menu, select **Settings**, choose **Network Connections**, click **Local Area Connection**, and then go to step 3.
- 2 Double-click the **Local Area Connection** icon in the LAN or High-Speed Internet section of the Network Connections window.
- 3 Click **Properties** in the Local Area Connection Status window.
- 4 Click **Internet Protocol (TCP/IP)**, and then click **Properties** in the Local Area Connection Properties window.
- 5 Select both **Obtain an IP address automatically** and **Obtain DNS server address automatically** in the Internet Protocol (TCP/IP) Properties window, and then click **OK**.
- 6 Click **Yes** to restart your computer when the Local Network window opens. The computer restarts. The TCP/IP protocol is now configured on your PC, and your Ethernet devices are ready for use.
- 7 Try to access the Internet. If you cannot access the Internet, go to *Having Difficulty?* (on page 136). If you still cannot access the Internet, contact your service provider for further assistance.

### Configuring TCP/IP on Macintosh Systems

- 1 Click the **Apple** icon in the upper-left corner of the Finder. Scroll down to **Control Panels**, and then click **TCP/IP**.
- 2 Click **Edit** on the Finder at the top of the screen. Scroll down to the bottom of the menu, and then click **User Mode**.
- 3 Click **Advanced** in the User Mode window, and then click **OK**.
- 4 Click the Up/Down selector arrows located to the right of the Connect Via section of the TCP/IP window, and then click **Using DHCP Server**.
- 5 Click **Options** in the TCP/IP window, and then click **Active** in the TCP/IP Options window.

**Note:** Make sure that the **Load only when needed option** is *unchecked*.

- 6 Verify that the **Use 802.3** option located in the upper-right corner of the TCP/IP window is unchecked. If there is a check mark in the option, uncheck the option, and then click **Info** in the lower-left corner.
- 7 Is there a Hardware Address listed in this window?
  - If **yes**, click **OK**. To close the TCP/IP Control Panel window, click **File**, and then scroll down to click **Close**. You have completed this procedure.
  - If **no**, you must power off your Macintosh.
- 8 With the power off, simultaneously press and hold down the **Command (Apple)**, **Option, P**, and **R** keys on your keyboard. Keeping those keys pressed down, power on your Macintosh but do not release these keys until you hear the Apple chime at least three times, then release the keys and let the computer restart.
- 9 When your computer fully reboots, repeat steps 1 through 7 to verify that all TCP/IP settings are correct. If your computer still does not have a Hardware Address, contact your authorized Apple dealer or Apple technical support center for further assistance.

## How Do I Install USB Drivers?

To install USB drivers, your PC must be equipped with a USB network interface and a Microsoft Windows 98SE, ME, 2000, XP, or Vista operating system. This section contains instructions for installing the USB drivers for the wireless home gateway.

**Note:** If you are not using the USB interface, skip this section.

### Installing USB Drivers

The USB driver installation procedures are different for each operating system. Follow the appropriate instructions in this section for your operating system.

#### Installing USB Drivers

- 1 Insert the **USB Cable Modem Driver Installation Disk** into the CD-ROM drive of your PC.
- 2 Make sure that power is connected to your wireless home gateway and that the **POWER** LED status indicator on the front panel of the wireless home gateway illuminates solid green.
- 3 Connect the USB cable to your computer's USB port. Then, connect the other end of the USB cable to the USB port on the gateway.
- 4 Click **Next** in the Found New Hardware Wizard window.
- 5 Select **Search for a suitable driver for my device (recommended)** in the Found New Hardware Wizard window, and then click **Next**.
- 6 Select **CD-ROM drives** in the Found New Hardware Wizard window, and then click **Next**.
- 7 Click **Next** in the Found New Hardware Wizard window. The system searches for the driver file for your hardware device.
- 8 After the system finds the USB driver, the Digital Signature Not Found window opens and displays a confirmation message to continue the installation.
- 9 Click **Yes** to continue the installation. The Found New Hardware Wizard window reopens with a message that the installation is complete.
- 10 Click **Finish** to close the Found New Hardware Wizard window. The USB drivers are installed on your PC, and your USB devices are ready for use.
- 11 Try to access the Internet. If you cannot access the Internet, go to *Having Difficulty?* (on page 136). If you still cannot access the Internet, contact your service provider for further assistance.

## What Are the Requirements for Ethernet Network Devices?

### How Many Ethernet Network Devices Can I Connect?

The wireless home gateway can support several Ethernet network devices using external Ethernet hubs that must be purchased separately.

The theoretical maximum number of Ethernet network devices supported by the wireless home gateway is 63. However, under normal circumstances, the number of devices connected should be a much lower number.

Contact your service provider for more information on the maximum number of Ethernet network devices to connect to your wireless home gateway to maintain optimal network performance.

### What Are the Wiring Requirements for Ethernet Networking?

A number of factors can impact the practical limit of the network. Although the wireless home gateway is designed to support several Ethernet network devices, it is important to view the characteristics of the entire network and not just each individual node.

The theoretical distance between two 10/100BASE-T CAT-5 Ethernet hubs is 382 feet (100 meters). Contact your service provider or consult the documentation for your Ethernet network devices for more information.

**Note:** We recommend that you use CAT-5 Ethernet cables.

### Do I Need to Configure the TCP/IP Protocol on My Computer?

For you to use Ethernet network devices on your network, you must have the TCP/IP protocol properly configured on your PC. Refer to *How Do I Configure TCP/IP Protocol?* (on page 25), for detailed information on configuring the TCP/IP protocol.



## How Do I Select and Place Ethernet Network Devices?

You can use a large variety of Ethernet network devices with your wireless home gateway. These include NIC cards, hubs, bridges, etc. Contact your service provider or consult the documentation for your Ethernet network devices for more information on configuring Ethernet network devices.

### Where Is the Best Location for My Ethernet Network Devices?

You should work with your service provider to choose the best location for your Ethernet network devices. Consider these recommendations:

- Location of two-way cable outlets
- Distance of the Ethernet network devices from the wireless home gateway
- Location of computers and other equipment from AC power outlets
- Ease of running Ethernet cable to the Ethernet network devices

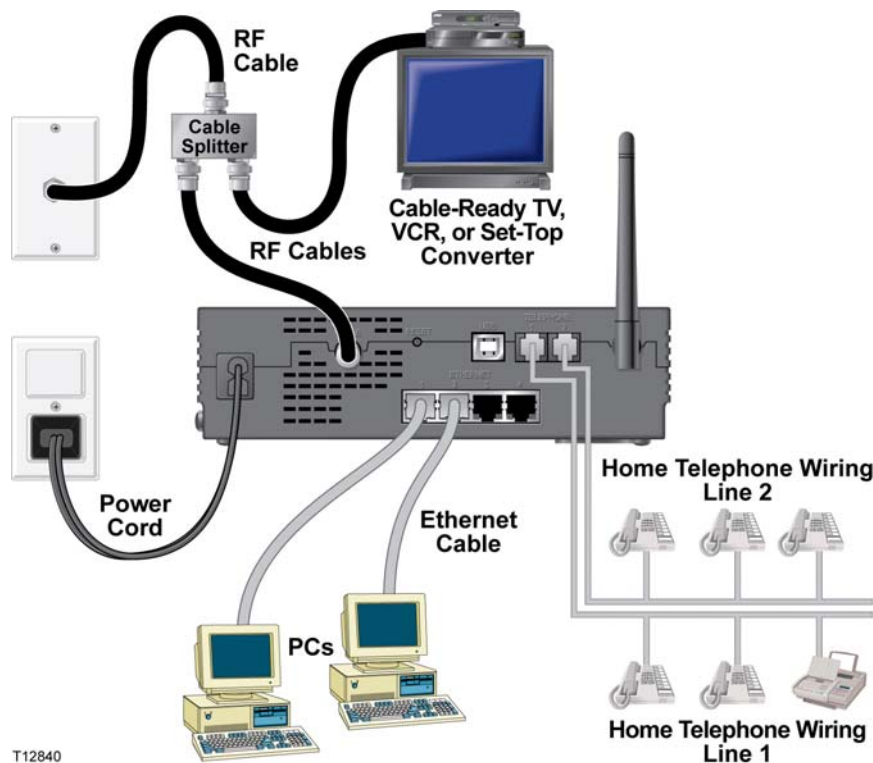
Now that you have selected a location for your Ethernet network devices, the next step is to place and connect your Ethernet network devices. Go to ***How Do I Connect Ethernet Network Devices?*** (on page 31).

## How Do I Connect Ethernet Network Devices?

### Connecting Ethernet Devices

You must connect your Ethernet devices for use with the wireless home gateway. Professional installation may be available. Contact your local service provider for further assistance.

The following diagram illustrates one of the various Ethernet network connection options that are available to you.



#### WARNING:

Hazardous electrical voltages can be present on any connected wiring. Ethernet wiring and connections must be properly insulated to prevent electrical shock. Disconnect power from the wireless home gateway before attempting to connect to any device.

To avoid personal injury, follow the connection steps in the exact order shown.



#### CAUTION:

To prevent possible damage to the equipment, disconnect any other service before connecting your wireless home gateway to other devices.

## How Do I Connect Ethernet Network Devices?

Read the warnings and caution. Then, follow the installation procedures later in this guide to ensure proper wireless home gateway operation when connecting Ethernet network devices.

- 1 Select locations for Ethernet network devices. For more information, see *How Do I Select and Place Ethernet Network Devices?* (on page 30).
- 2 Connect the Ethernet port on the wireless home gateway to your PC.
- 3 Connect additional Ethernet network devices by connecting an Ethernet hub or router to the wireless home gateway.
- 4 Connect the active RF coaxial cable to the **CABLE** connector on the back of the wireless home gateway. Use an optional cable signal splitter to add a TV, a DHCT or set-top converter, or a VCR.
- 5 After all connections are complete, insert the AC power cord into the **POWER** connector on the back of the wireless home gateway, and then plug the cord into an AC power source.
- 6 The wireless home gateway begins an automatic search to locate and sign on to the network. In some unusual circumstances, this process may take up to 5 minutes. The wireless home gateway is ready for use when the **ONLINE** LED status indicator on the front panel stops blinking and illuminates continuously.
- 7 Verify that all Ethernet network devices are working properly.

**Note:** You will not be able to check the front panel LED status indicator on the wireless home gateway until after one or more Ethernet network devices are connected to the wireless home gateway.

## What Are the Requirements for USB Network Devices?

### How Many USB Devices Can I Connect?

You can connect one PC or other USB device to the USB port on the EMTA.

### What Are the Wiring Requirements?

We recommend that you use the USB 1.1 cable provided with your modem.

### Do I Need to Install USB Drivers on My Computer?

To use USB network devices, you must have the correct USB drivers installed on your PC. Refer to *How Do I Install USB Drivers?* (on page 28), for information on installing USB drivers.

## How Do I Select and Place USB Network Devices?

You can use a large variety of USB network devices with your wireless home gateway. These include desktop computers, laptop computers, devices with USB ports, and USB adapters.

Contact your service provider or consult the documentation for your USB network devices for more information on selecting USB network devices.

### Where Is the Best Location for My USB Network Devices?

You should work with your service provider to choose the best location for your USB network devices. Consider these recommendations:

- Location of two-way coaxial cable outlets
- Distance of the USB network devices from the wireless home gateway
- Location of computers and other equipment from AC power outlets
- Ease of running USB cable to the USB network devices

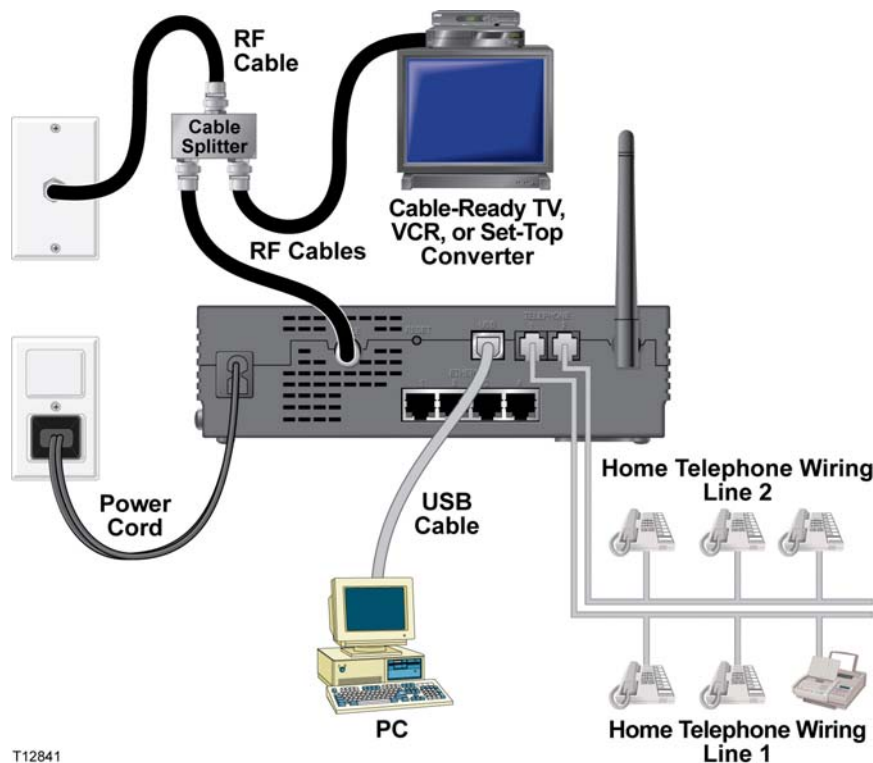
Now that you have selected a location for your USB network devices, the next step is to place and connect your USB network devices. Go to ***How Do I Connect USB Network Devices?*** (on page 35).

## How Do I Connect USB Network Devices?

### Connecting USB Devices

You must connect your USB devices for use with your wireless home gateway. Professional installation may be available. Contact your local service provider for further assistance.

The following diagram illustrates one of the various USB network connection options that are available to you.



T12841



#### WARNING:

Hazardous electrical voltages can be present on any connected wiring. USB wiring and connections must be properly insulated to prevent electrical shock. Disconnect power from the wireless home gateway before attempting to connect to any device.

To avoid personal injury, follow these steps in the exact order shown.



#### CAUTION:

To prevent possible damage to the equipment, disconnect any other service before connecting your wireless home gateway to other devices.

Read the warnings and caution on this page. Then, follow the subsequent installation procedures to ensure proper wireless home gateway operation when connecting USB network devices.

## How Do I Connect USB Network Devices?

**Note:** Verify that you have installed the USB drivers on your PC before continuing with these instructions. See *How Do I Install USB Drivers?* (on page 28), for more information on installing the USB drivers.

- 1 Select locations for USB network devices. For more information, see *How Do I Select and Place USB Network Devices?* (on page 34).
- 2 Connect the USB port on the wireless home gateway to your computer.
- 3 Connect one or more USB network device to the wireless home gateway.

**Note:** If you want to connect more than one USB network device to the wireless home gateway or to your computer, you will need to purchase and install a USB hub.
- 4 Connect the active RF coaxial cable to the **CABLE** connector on the back of the wireless home gateway. Use an optional cable signal splitter to add a TV, a DHCT or set-top converter, or a VCR.
- 5 After all connections are complete, insert the AC power cord into the **POWER** connector on the back of the wireless home gateway, and then plug the cord into an AC power source.
- 6 The wireless home gateway begins an automatic search to locate and sign on to the network. This process may take up to 5 minutes. The wireless home gateway is ready for use when the **ONLINE** LED status indicator on the front panel stops blinking and illuminates continuously.
- 7 Verify that all USB devices are working properly.

**Note:** You will not be able to check the front panel LED status indicator on the wireless home gateway until after at least one USB network device is connected and operating on the network.

## How Do I Troubleshoot My Internet Service Installation?

### I cannot connect to the Internet

- Verify that the plug to your wireless home gateway AC power is properly inserted into an electrical outlet.
- Verify that your wireless home gateway AC power cord is not plugged into an electrical outlet that is controlled by a wall switch. If a wall switch controls the electrical outlet, make sure the switch is in the **ON** position.
- Verify that the **POWER** and **CABLE** indicator lights on the front panel of your wireless home gateway are illuminated.
- Verify that the indicator lights on your router or other network connection equipment are illuminated
- Verify that all cables are properly connected, and that you are using the correct cables.
- Verify that your cable service is active and that it supports two-way service.
- Verify that TCP/IP is properly installed and configured on all devices if you are using the Ethernet connections.
- Verify that you have followed the procedure in *How Do I Install USB Drivers?* (on page 28) if you are using the USB connection.
- Verify that you have called your service provider and given them the serial number and MAC address of your wireless home gateway.
- If you are using a cable signal splitter so that you can connect the cable signal to other devices, remove the splitter and reconnect the cable so that the wireless home gateway is connected directly to the main cable input. If the wireless home gateway now functions properly, the cable signal splitter may be defective and may need to be replaced.
- For best performance over an Ethernet connect, your PC should be equipped with a 10/100BASE-T network interface card.



## My wireless home gateway does not recognize the cable network

- The wireless home gateway works with a standard, 75-ohm, RF coaxial cable. If you are using a different cable, your wireless home gateway will not function properly. Contact your service provider to determine if you are using the correct cable.
- You may need to renew the IP address on your PC. Refer to *How Do I Renew the IP Address on My PC?* (on page 39), for instructions on how to renew the IP address for your particular operating system.
- Your USB interface may be malfunctioning. Refer to the troubleshooting information in your USB documentation.

## How Do I Renew the IP Address on My PC?

If your PC cannot access the Internet after the wireless home gateway is online, it is possible that your PC did not renew its IP address. Follow the appropriate instructions in this section for your operating system to renew the IP address on your PC.

### Renewing the IP address on Windows 95, 98, 98SE, and ME Systems

- 1 Click **Start**, and then click **Run** to open the Run window.
- 2 Type **wiipcfg** in the Open field, and click **OK** to execute the winipcfg command. The IP Configuration window opens.
- 3 Click the down arrow to the right of the top field, and select the Ethernet adapter that is installed on your PC. The IP Configuration window displays the Ethernet adapter information.
- 4 Click **Release**, and then click **Renew**. The IP Configuration window displays a new IP address.
- 5 Click **OK** to close the IP Configuration window, you have completed this procedure.

**Note:** If you cannot access the Internet, contact your service provider for further assistance.

### Renewing the IP Address on Windows NT, 2000, or XP Systems

- 1 Click **Start**, and then click **Run**. The Run window opens.
- 2 Type **cmd** in the Open field and click **OK**. A window with a command prompt opens.
- 3 Type **ipconfig/release** at the C:/ prompt and press **Enter**. The system releases the IP address.
- 4 Type **ipconfig/renew** at the C:/ prompt and press **Enter**. The system displays a new IP address.
- 5 Click the **X** in the upper-right corner of the window to close the Command Prompt window. You have completed this procedure.

**Note:** If you cannot access the Internet, contact your service provider for further assistance.

## What Are the Requirements for Wireless Network Devices?

### How Many Wireless Devices Can I Connect?

The DPC2434 and EPC2434 wireless home gateways serve as a wireless access point (WAP). The WAP on the DPC2434 and the EPC2434 provides wireless network service to multiple wireless network devices. Contact your service provider for more information on the maximum number of wireless network devices to connect to the DPC2434 or EPC2434 in order to maintain optimal network performance.

### What Are the Requirements for Wireless Networking?

It is important to view the characteristics of the entire network and not just each individual node. The theoretical distance between wireless network devices is 100 feet inside of a building, and 300 feet outdoors.

A number of factors can impact the practical limit of the network. Contact your service provider or consult the documentation for your wireless network devices for more information.

## How Do I Select and Place Wireless Network Devices?

You can use a large variety of wireless network devices with your wireless home gateway. These include computers, PDAs, etc. On the wireless network, all devices impact the characteristics of the network, because each device transmits a wireless signal. Contact your service provider or consult the documentation for your wireless network device for more information on selecting the appropriate wireless network devices for your home or office network.

### Where Is the Best Location for My Wireless Network Devices?

You should work with your service provider to choose the best location for your wireless network devices. Consider these recommendations:

- Distance from the wireless home gateway to the wireless network devices.
- Do not place the wireless home gateway near metallic surfaces that may block the wireless communications path. Wireless communication is “line-of-sight” through non-metallic walls. However, the more structures (walls) the signal must pass through, the weaker the received signal.
- Do not place wireless network devices near a microwave oven. When operating, microwave ovens can interfere with wireless transmissions.
- Do not place your wireless network devices near 2.4 GHz wireless telephones because these telephones may also cause interference with your wireless network.

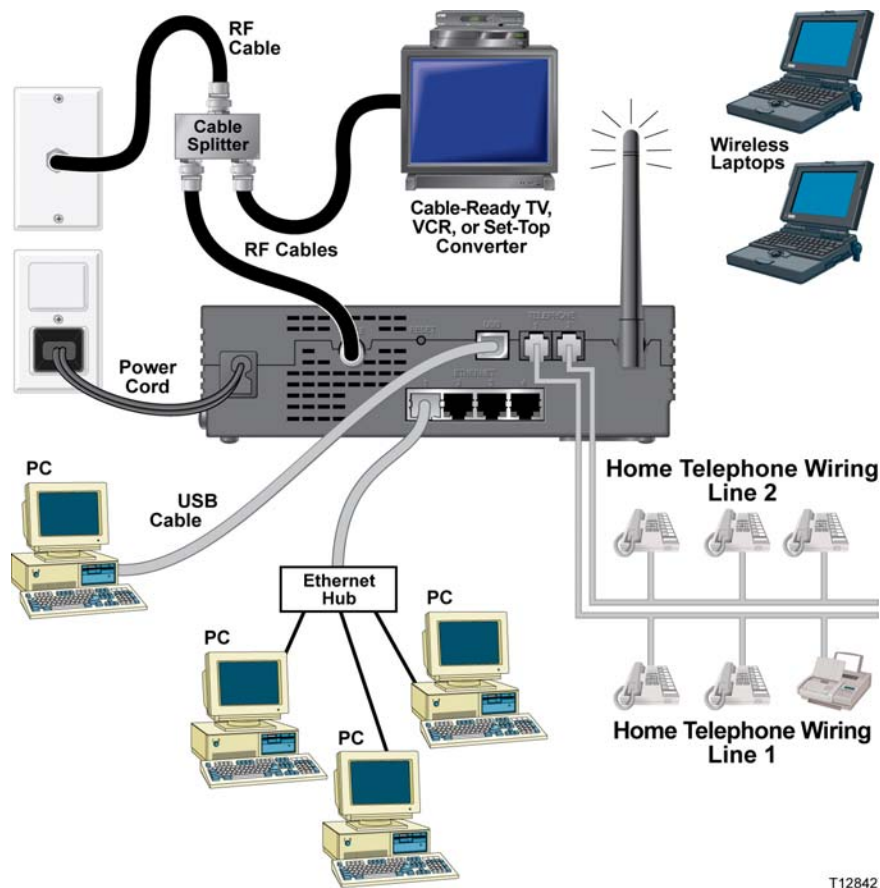
Now that you have selected a location for your wireless network devices, the next step is to place and install your wireless network devices. Go to *How Do I Install Wireless Network Devices?* (on page 42).

## How Do I Install Wireless Network Devices?

### Installing Wireless Network Devices

You must install wireless network devices for use with your wireless home gateway. Professional installation may be available. Contact your local service provider for further assistance.

The following diagram illustrates one of the various wireless network connection options that are available to you.



T12842

### To install wireless network devices



**WARNING:**

Hazardous electrical voltages can be present on any connected wiring. Ethernet wiring and connections must be properly insulated to prevent electrical shock. Disconnect power from the wireless home gateway before attempting to connect to any device.

To avoid personal injury, follow these steps in the exact order shown.



**CAUTION:**

To prevent possible damage to the equipment, disconnect any other service before connecting your wireless home gateway to other devices.

Read the warnings and caution on this page. Then, follow the subsequent installation procedures to ensure proper wireless home gateway operation when using wireless network devices.

### Installing Wireless Network Devices

Follow these steps to install the wireless home gateway for accessing wireless network devices.

- 1 Select locations for wireless network devices. For more information, see *How Do I Select and Place Wireless Network Devices?* (on page 41).
- 2 Connect and install the wireless network device(s).
- 3 Connect the active RF coaxial cable to the **CABLE** connector on the back of the wireless home gateway. Use an optional cable signal splitter to add a TV, a DHCT or set-top converter, or a VCR.
- 4 After all connections are complete, insert the AC power cord into the **POWER** connector on the back of the wireless home gateway, and then plug the power cord into an AC power source. The wireless home gateway begins an automatic search to locate and sign on to the network. In some unusual circumstances, this process may take up to 5 minutes. The wireless home gateway is ready for use when the ONLINE LED status indicator on the front panel stops blinking and illuminates continuously.  
**Note:** Some 2.4 GHz cordless telephones can interfere with wireless signals. Unplug and disconnect any cordless phones until your wireless network is operating properly.
- 5 Verify that all wireless network devices are working properly.

## How Do I Use My Wireless Home Gateway for Telephone Service?

### Contacting Your Local Service Provider

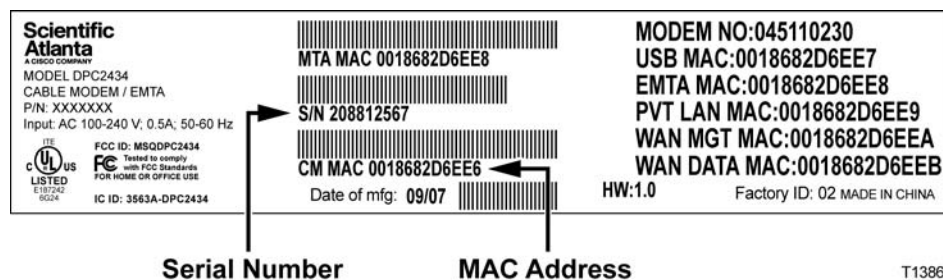
You need to set up a telephone account with your local service provider to use your wireless home gateway for telephone service. When you contact your service provider, verify the following conditions:

- Does the service to your home support two-way, DOCSIS-compatible wireless home gateway access? If your service provider does not provide two-way service, this modem will not be able to communicate with your service provider's Internet access and telephone services.
- Can you transfer your existing telephone numbers from another telephony service provider to your current telephony service provider? In some areas, you may be able to transfer your existing telephone numbers, or your cable telephony service provider will assign a new telephone number for each current or additional active telephone line. Discuss these options with your telephony service provider.

You will need to give your service provider the following information:

- The serial number of the modem
- The Media Access Control (MAC) address of the modem

These numbers appear on a bar code label located on the wireless home gateway. The serial number consists of a series of alphanumeric characters preceded by **S/N**. The MAC address consists of a series of alphanumeric characters preceded by **CM MAC**. The following illustration shows a sample bar code label.



Write down these numbers in the space provided here.

Serial Number \_\_\_\_\_

MAC Address \_\_\_\_\_

## Where Do I Place My Wireless Home Gateway for Telephone Service?

If you are planning to use your modem for telephone service, you should work with your cable telephony provider to choose the best location for your modem.

### Where Is the Best Location for My Modem?

When choosing a location for your modem, consider the following recommendations:

- Choose a location close to your computer if you will also use the wireless home gateway for high-speed Internet service.
- Choose a location that is near an existing RF coaxial connection to eliminate the need for an additional RF coaxial outlet.
- Choose a location for the wireless home gateway that is adjacent to your telephone equipment if you are using only one or two pieces of telephone equipment.

**Note:** If you are using the wireless home gateway to provide service to several telephones, a professional installer can connect the wireless home gateway to your existing home telephone wiring. To minimize changes to the home telephone wiring, you may want to locate the wireless home gateway near an existing telephone outlet. See *How Do I Install the Modem for Telephone Service?* (on page 47), for further instructions.

- Choose a location that is relatively protected from accidental disturbance or harm, such as a closet, basement, or other protected area.
- Choose a location so that there is plenty of room to guide the cables away from the modem without straining or crimping them.
- Airflow around the wireless home gateway should not be restricted.
- Read this user's guide thoroughly before installing the wireless home gateway.



## What Are the Requirements for Telephone Service?

This section provides hardware and software requirements for using your wireless home gateway for telephone service.

### Number of Telephone Devices

The RJ-11 telephone-style connectors on the wireless home gateway can each provide telephone service to multiple telephones, fax machines, and analog modems.

The maximum number of telephone devices connected to each RJ-11 port is limited by the total Ringing Load of the telephone devices that are connected. Many telephone devices are marked with a Ringer Equivalent Number (REN). Each telephone port on the wireless home gateway can support up to a 5 REN load.

The sum of the REN load on all of the telephone devices attached to each port must not exceed 5 REN.

### Telephone Device Types

You can use telephone devices that are not labeled with a REN number, but the maximum number of attached telephone devices cannot be accurately calculated. With telephone devices that are not labeled, each device should be connected and the ring signal should be tested before adding more devices. If too many telephone devices are attached and the ring signal can no longer be heard, telephone devices should be removed until the ring signal works properly.

Telephones, fax machines, and other telephone devices should use the center 2 pins of the RJ-11 connectors to connect to the wireless home gateway telephone ports. Some telephones use other pins on the RJ-11 connectors and require adapters in order to work.

### Dialing Requirements

All your telephones should be set to use DTMF dialing. Pulse dialing is typically not enabled by your local provider.

### Telephone Wiring Requirements

The wireless home gateway supports interior telephone wiring. The maximum distance from the unit to the most distant telephone device must not exceed 1000 feet (300 meters). Use 26-gauge twisted-pair, or larger, telephone wiring.

**Important:** Connection to an existing or a new permanently installed home telephone wiring network must be done by a qualified installer.

## How Do I Install the Modem for Telephone Service?

The wireless home gateway can be used to provide telephone service for one or two telephone lines. This section describes how to connect a single telephone, fax machine, analog telephone modem, or other telephone device to each telephone port on the wireless home gateway.

**Important:** Connecting the wireless home gateway permanently to the installed home telephone wiring is not covered by this document.

### Installing the Modem to Provide Telephone Service

Heed the following warnings, and then follow the subsequent installation procedures in this section to ensure proper wireless home gateway installation and configuration for providing telephone service.



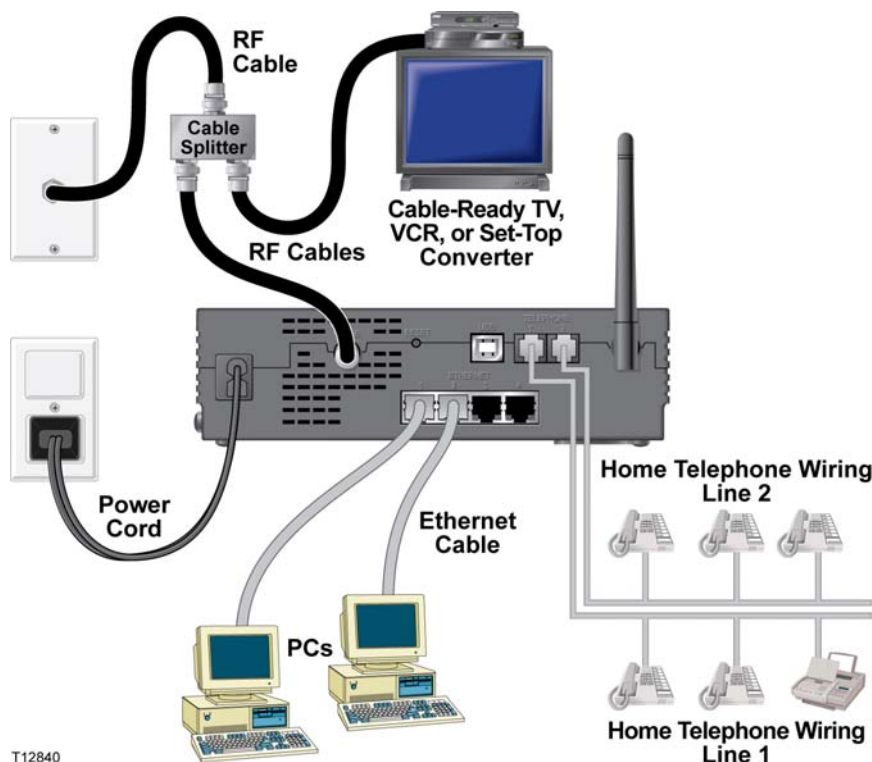
**WARNING:**

- To avoid personal injury, follow the installation instructions in the exact order shown.
- Telephone connections to an installed home telephone wiring network must be done by a qualified installer. The cable telephone service provider may offer professional installation and connection to the home telephone wiring network. A fee may be charged for this service.
- Hazardous electrical voltages can exist on the telephone ports on the cable modem and can be present on any connected wiring. Telephone wiring and connections must be properly insulated to prevent electrical shock. Disconnect power from the cable modem before attempting to connect to any device.
- To prevent possible damage to equipment, disconnect any other telephone service before connecting your cable modem to the same wires.

**Note:** Professional installation may be available. Contact your service provider for further assistance.

## Installation Diagram

The following diagram illustrates one of the various connection options that are available to you.



To install the wireless home gateway for telephone service

- 1 Connect a telephone, fax machine, or analog modem to each of the appropriate RJ-11 ports on the wireless home gateway.

### Notes:

- The wireless home gateway provides one line of telephone service on each of the RJ-11 connectors.
  - Service must be set up and enabled by the telephone service provider.
  - The two center conductors (pins 3 and 4) on the RJ-11 connector provide electrical connections to directly attached telephone devices or to a permanently installed in-home telephone wiring network.
  - The telephone port labeled Line 1 also supports multi-line telephone devices. Line 1 is supported on pins 3 and 4, and Line 2 is supported on pins 2 and 5.
  - The use of telephones that require electrical connections to other RJ-11 pins requires an adapter.
- 2 After all telephone connections are complete, insert the AC power cord into the power connector on the back of the wireless home gateway, and then plug the cord into an AC power source.

- 3 Connect the active RF coaxial cable to the **CABLE** connector on the back of the wireless home gateway. The wireless home gateway begins an automatic search to locate and sign on to the network that provides the telephone service. This process may take up to 5 minutes. The modem will be ready for use when the **ONLINE** LED status indicator on the front panel stops blinking and illuminates continuously

**Note:** Use an optional cable signal splitter to add a TV, a DHCT or set-top converter, or a VCR.

- 4 Test your telephone service by lifting the receiver of each attached telephone to verify that the dial tone can be heard and that you can make and receive telephone calls. This process may take several minutes.

**Notes:**

- The **TEL 1** and **TEL 2** LED status indicators on the front panel of the wireless home gateway *illuminate* when telephony service is enabled.
- The **TEL 1** or the **TEL 2** LED status indicators on the front panel of the wireless home gateway *blink* when the attached device is "off the hook."

## How Do I Maintain the Batteries?

Your modem includes up to two rechargeable Lithium-Ion batteries to provide stand-by operation in the event of an AC power failure. You can replace one or both of the batteries without the use of any tools.

**Note:** Heed the battery safety instructions located in the IMPORTANT SAFETY INSTRUCTIONS section.



**WARNING:**

There is danger of explosion if the battery is mishandled or incorrectly replaced. Replace only with the same type of battery. Do not disassemble it or attempt to recharge the battery outside the system. Do not crush, puncture, dispose of in a fire, short external contacts, or expose to water or other liquids. Dispose of the battery in accordance with local regulations and instructions from your service provider.

### Charging the Batteries

The batteries begin to charge automatically as soon as you attach the modem to the AC electrical outlet. When you first plug in the modem, the **POWER** LED status indicator illuminates. The **BATTERY** LED status indicator illuminates when the battery is fully charged and operational.

**Important:** It may take as long as 24 hours for each battery to charge fully.

### Using the Modem Without a Battery

If you want, you can use the modem without a battery. If you need to remove the batteries, follow the procedures found in *Removing and Replacing the Batteries* (on page 51).

**Important:** If you choose to operate your modem without a battery, you risk losing your telephone service during a power outage.

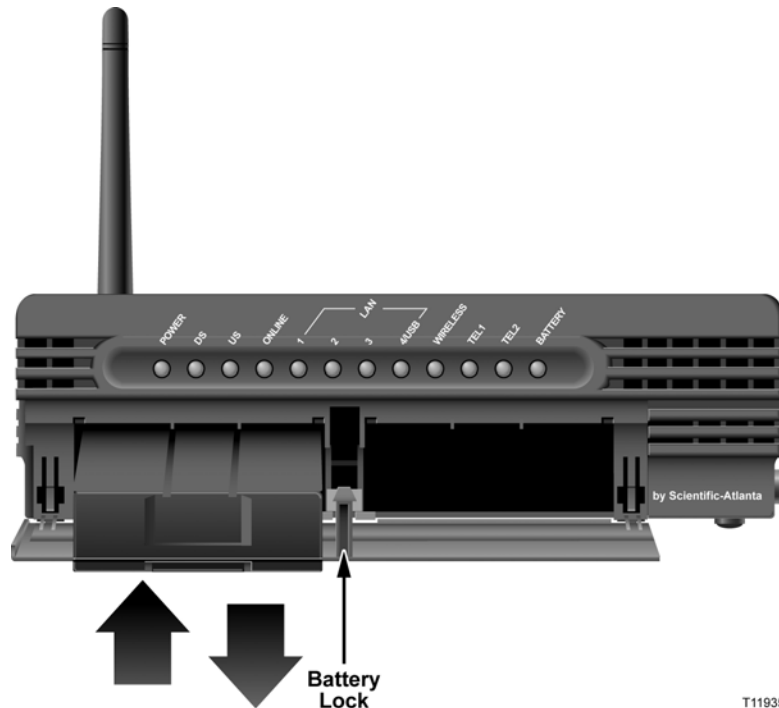
### Replacing the Batteries

Under normal circumstances, the battery should last for several years. Should the **BATTERY** LED status indicator turn off and remain off, this could indicate that the battery may need to be replaced. Contact your service provider to obtain replacement batteries and for disposal instructions.

**Note:** Follow the steps found in *Removing and Replacing the Batteries* (on page 51), to remove and replace one or both of the batteries.

## Location of Batteries

The following illustration shows the location of the batteries on the wireless home gateway.



T11935

## Removing and Replacing the Batteries

Follow these steps to remove and replace one or both of the batteries. You can remove and replace the batteries without disconnecting the AC power source.

- 1 Gently press the battery cover on the front of the modem to open the battery cover and gain access to the battery compartment.
- 2 Slide the battery lock upward (toward the front panel LEDs) to disengage the battery lock.
- 3 Grasp the plastic strip on the front of the battery and gently slide the battery forward to remove it from the battery compartment.
- 4 Insert a new battery into the battery compartment.
- 5 Repeat steps 3 and 4 if you are replacing both batteries. Then, go to step 6.
- 6 Close the battery compartment door. The battery lock will automatically engage.

**Important:** It may take as long as 24 hours for each battery to charge fully.

**Note:** Dispose of the battery in accordance with local regulations and instructions from your service provider.

## How Do I Mount the Modem on a Wall? (Optional)

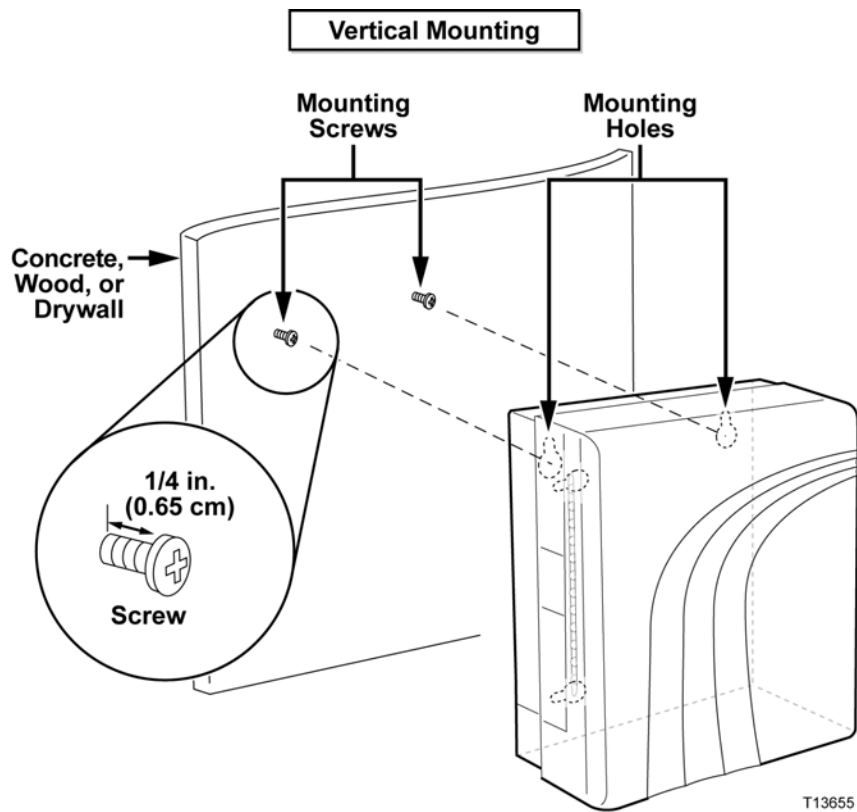
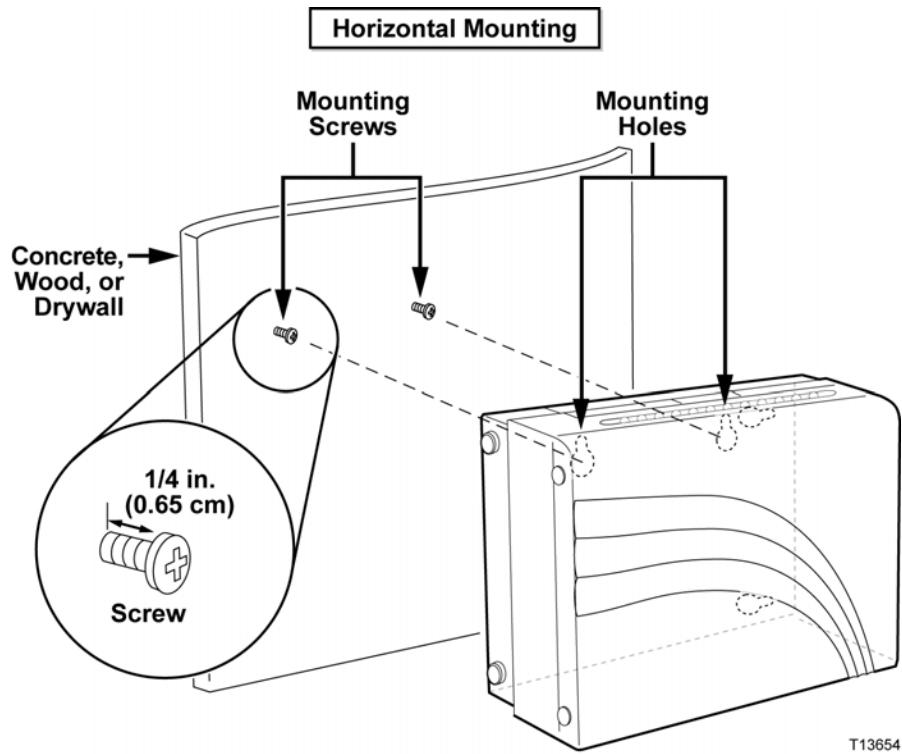
You can mount the wireless home gateway on a wall using two wall anchors, two screws, and the mounting slots located on the unit. The modem can be mounted vertically or horizontally.

### Before You Begin

Before you begin, choose an appropriate mounting place. The wall can be made of cement, wood, or drywall. The mounting location should be free of obstructions on all sides, and the cables should be able to easily reach the wireless home gateway without strain. Leave sufficient clearance between the bottom of the wireless home gateway and any flooring or shelving underneath to allow access to cabling. In addition, leave enough slack in all cables so that the wireless home gateway can be removed for any required maintenance without disconnecting the cables. Also, verify that you have the following items:

- Two wall anchors for #8 x 1-inch screws
- Two #8 x 1-inch pan head sheet metal screws
- Drill with a 3/16-inch wood or masonry bit, as appropriate for the wall composition
- A copy of the wall-mounting illustrations shown on the following pages

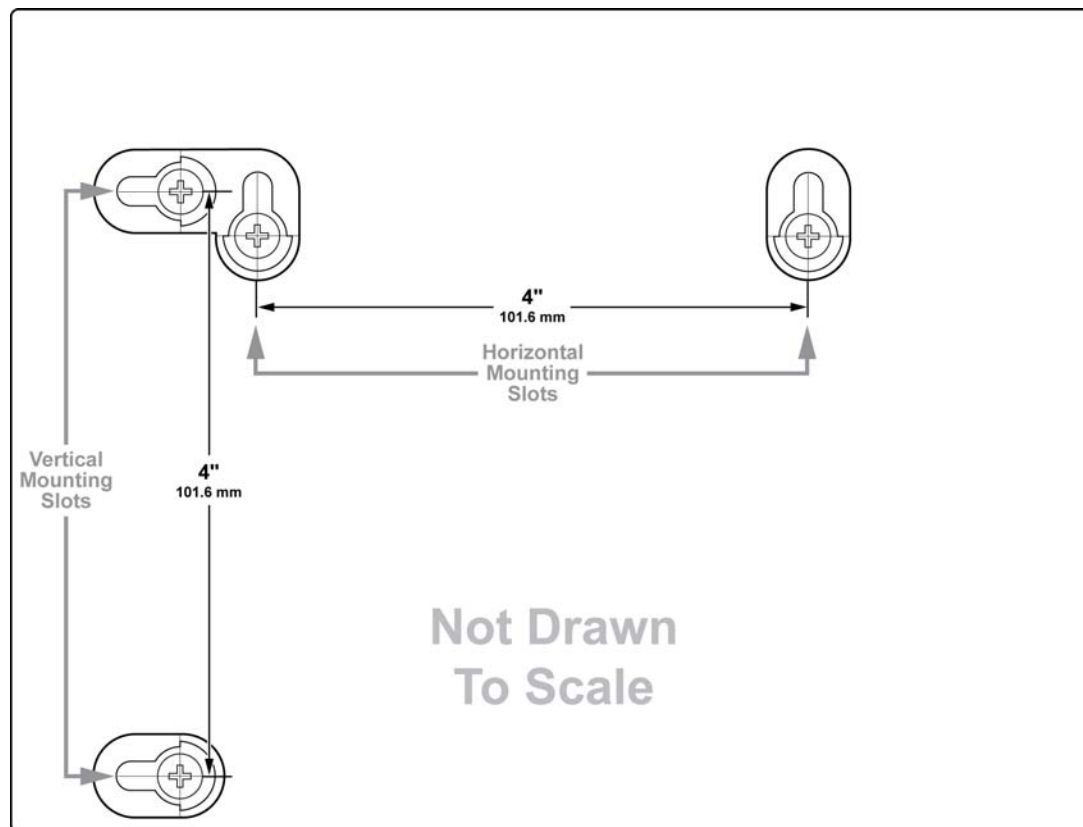
Mount the modem as shown in one of the following illustrations.





## Location and Dimensions of the Wall-Mounting Slots

The following illustration shows the location and dimensions of the wall-mounting slots on the bottom of the modem. Use the information on this page as a guide for mounting your modem to the wall.



T13653

## Mounting the Wireless Home Gateway on a Wall

- 1 Using a drill with a 3/16-inch bit, drill two holes at the same height and 4 inches apart.

**Note:** The preceding graphic illustrates the location of the mounting holes on the back of the wireless home gateway.

- 2 Are you mounting the wireless home gateway into a drywall or concrete surface where a wooden stud is available?
  - If **yes**, go to step 3.
  - If **no**, drive the anchor bolts into the wall, and install the mounting screws into the anchor bolts; leave a gap of about 1/4-inch between the screw head and the wall. Then, go to step 4.

- 3 Install the mounting screws into the wall; leave a gap of about 1/4-inch between the screw head and the wall. Then, go to step 4.
- 4 Verify that no cables or wires are connected to the wireless home gateway.
- 5 Lift the wireless home gateway into position. Slip the large end of both mounting slots (located in the back of the wireless home gateway) over the mounting screws, and then slide the wireless home gateway down until the narrow end of the keyhole slot contacts the screw shaft.

**Important:** Verify that the mounting screws securely support the wireless home gateway before you release the unit.

## How Do I Configure the Wireless Home Gateway?

To configure your wireless home gateway, you must first access the WebWizard configuration pages. This section provides detailed instructions and procedures for accessing the WebWizard pages and for configuring your wireless home gateway to operate correctly. This section also presents examples and descriptions of each WebWizard configuration page. Use the WebWizard pages to customize your wireless home gateway to your needs rather than using the default settings. The WebWizard pages in this section are organized in the order shown on the **Setup** page.

**Important:** The WebWizard pages and the examples shown in this section are for illustration purposes only. Your pages may differ from the pages shown in this guide.

**Note:** If you are not familiar with the network configuration procedures detailed in this section, contact your service provider before you attempt to change any of the wireless home gateway default settings.

### Accessing the Wireless Home Gateway

You must access the WebWizard in order to configure the wireless home gateway. To gain access to the WebWizard, use the Web browser on the PC attached to the gateway and complete the following steps.

- 1 Open the Web browser on your PC.
- 2 Type the following IP address and then select **Go**:  
**http://192.168.0.1.**
- 3 The Web browser accesses the WebWizard and displays the default About Your Modem page. This page displays information about your cable modem along with a series of tabs for accessing other WebWizard configuration and operation features.

## Setting Configuration Options

Use the **Setup** page to access the various configuration options for the wireless home gateway. Detailed descriptions of each configuration option follow later in this guide.

Open your Internet browser and enter the IP address **192.168.0.1** into the Address field of your browser. A password window similar to the following window opens:



Leave the user name blank, enter your password, and then click **OK**. If the password is correct, the **Setup** page opens.

### First Time Users

To access the **Setup** page, leave the user name and password fields blank. Then click **OK** to continue. Your browser will be automatically directed to the **Password Settings** setup page. Enter the password you wish to use in the 2 password fields and click **Apply**.

**Important:** We highly recommend that you set up a password to prevent unauthorized access to the setup pages of your gateway.

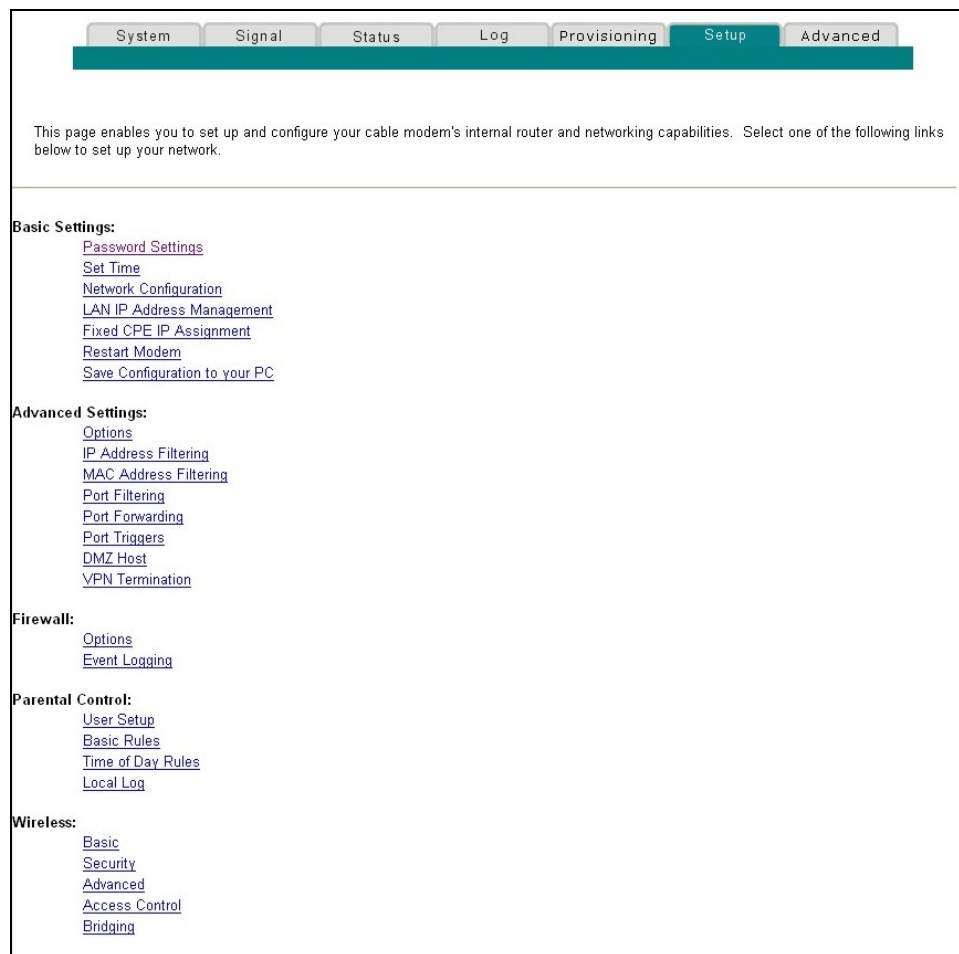
Your new password becomes effective immediately. The password window reappears. Enter your new password to gain access to the **Setup** page.

**Note:** The gateway ships from the factory without a factory-assigned default password. You will be prompted to set up a password. Although it is not required to setup a password, and should you elect not to set up a password, every time you attempt to access the **Setup** page, you will be prompted to set up a password.

If you choose *not* to enter a password, leave the password setup fields blank and click **Apply** to continue directly to the Setup webpage. See *Configuring Your Password Settings* (on page 62) for assistance in setting up your password.

## Setup Page Example

The following illustration is an example of the Setup page.



## Setup Page Section Headings

The Setup page is divided into the following section headings:

- Basic Settings
- Advanced Settings
- Firewall
- Parental Control
- Wireless

In the Setup page, click the selections listed within these sections to access the WebWizard page for that selection. A description of the selections available in each section follows next.

## Basic Settings

The following table provides a description of the pages available from within the Basic Settings section of the Setup page.

Field Name	Description
Password Settings	Use this page to set or modify your password settings
Set Time	Use this page to enable or disable time synchronization by Network Time protocol
Network Configuration	Use this page to enter or modify the basic settings for your network
LAN IP Address Management	Use this page to configure how Internet protocol (IP) addresses are assigned and managed in your network
Fixed CPE IP Assignment	Use this page to reserve IP addresses in the DHCP pool that will be used as static IP addresses in your local network.
Restart Modem	Use this page to restart your wireless home gateway
Save Configuration to your PC	Use this page to save your cable modem RG configuration to your local PC and to restore the RG configuration to your wireless home gateway, if necessary

## Advanced Settings

The following table provides a description of the pages available from within the Advanced Settings section of the Setup page.

Field Name	Description
Options	Use this page to enable or disable advanced features on your network
IP Address Filtering	Use this page to configure IP address filters. These filters prevent designated IP addresses from accessing the Internet
MAC Address Filtering	Use this page to configure MAC address filters. These filters prevent designated MAC addresses from accessing the Internet
Port Filtering	Use this page to configure transmission control protocol (TCP) and user datagram protocol (UDP) port filters. These filters prevent a range of TCP/UDP ports from accessing the Internet

## How Do I Configure the Wireless Home Gateway?

Field Name	Description
Port Forwarding	Use this page to configure port forwarding for local IP addresses. Port forwarding allows you to run a server on the local area network (LAN) by specifying the mapping of TCP/UDP ports to local PCs or to the IP address of other devices. This is a static setting that holds the ports open at all times
Port Triggers	Use this page to configure TCP/UDP port triggers. Port triggering is similar to port forwarding, but is a dynamic function. In other words, the ports are not held open, and the ports close if no outgoing data is detected on the selected ports for a period of 10 minutes
DMZ Host (Demilitarized Zone)	<p>Use this page to configure an IP address that is visible to the wide area network (WAN). DMZ hosting is commonly referred to as “exposed host,” and allows you to specify the “default” recipient of WAN traffic that Network Address Translation (NAT) is unable to translate to a known local PC</p> <p>A DMZ is used by a company that wants to host its own Internet services without sacrificing unauthorized access to its private network. DMZ allows one IP address to be unprotected while others remain protected. The DMZ is located between the Internet and an internal network’s line of defense that is a combination of firewalls and bastion hosts</p> <p>Typically, the DMZ contains devices accessible to Internet traffic, such as Web (HTTP) servers, FTP servers, SMTP (email) servers, and domain name system (DNS) servers</p>
VPN Termination	Use this page to create, configure, and control Virtual Private Network (VPN) protocols and manage Internet Protocol Security (IPsec) VPN tunnels.

## Firewall

The following table provides a description of the pages available from within the Firewall section of the Setup page.

Field Name	Description
Options	Use this page to configure webpage filtering and firewall protection
Event Logging	Use this page to access the firewall event log and to enter your email address in order to receive email alerts related to firewall attacks by hackers

## Parental Control

The following table provides a description of the pages available from within the Parental Control section of the Setup page.

Field Name	Description
User Setup	Use this page to add or delete user profiles and to apply access rules to those users
Basic Rules	Use this page to setup access rules that block certain Internet content and certain websites
Time of Day Rules	Use this page to configure Web access filters to block all Internet traffic to and from specific network devices based on time of day settings that you select
Local Log	Use this page to view events captured by Parental Control event log feature

## Wireless

The following table provides a description of the pages available from within the Wireless section of the Setup page.

Field Name	Description
Basic	Use this page to configure your wireless access point (WAP) parameters, including service set identifier (SSID) and channel number
Security	Use this page to configure your WAP authentication and data encryption. Using encryption and authentication prevents unauthorized access to your wireless devices
Advanced	Use this page to configure your WAP data rates and wireless fidelity (WiFi) thresholds



## How Do I Configure the Wireless Home Gateway?

Field Name	Description
Access Control	Use this page to configure the WAP to restrict access to only selected wireless client devices. Authorized clients are selected by MAC address. Use this page to select Open System or Share Key authentication and to enable and disable broadcast of the WAP SSID
Bridging	Use this page if you have multiple wireless access points and you want to configure a Wireless Distribution System (WDS) for your home network

## Configuring Your Password Settings

Use the Basic Settings – Password Settings page to set up a password to restrict unauthorized persons from accessing to your wireless home gateway settings. Click **Password Settings** in the Basic Settings section of the Setup page to access the Password Settings page.

### Notes:

- Your gateway modem comes from the factory with no password enabled. We highly recommend that you set up a user password to prevent unauthorized users from modifying the settings of your network.
- If you do choose to set up a password, use a password that you can easily remember. Do *not* forget your password.

## Setup Basic Settings – Password Settings Page Example

The following illustration is an example of the Basic Settings – Password Settings page.

System Signal Status Log Provisioning **Setup** Advanced

**Setup**  
**Basic Settings - Password Settings**  
This page allows you to modify the password settings for this device.

Important: As a matter of good operating practice, it is highly recommended to use this page to establish a personalized user Password. Setting a user password can help prevent unauthorized access to the Setup pages for this residential gateway. Unauthorized access may result in disrupted home network operation or a breach in your home network security, exposing the equipment in you home network to denial of service attacks and hacking from a variety of potentially malicious sources.

Password

Re-Enter Password

Apply

### To set up your password

To set up your password, type your password in the Password field, and then re-type your password in the Re-Enter Password field. Click **Apply** to save your password.

**Note:** If you set a password, on subsequent access to the **Setup** page, a screen similar to the following appears prompting you to enter your password. Leave the user name blank and enter your password to gain access to the **Setup** page. Do *not* forget your password.



## Configuring Network Time Synchronization

Use the Basic Settings Enable/Disable time synchronization by Network Time protocol page to enable or disable time synchronization by Network Time protocol.

**Important:** Your gateway will automatically synchronize with the local time of your DOCSIS cable network. Changes to time synchronization should only be made if the DOCSIS network clock does not match your local time.

**Note:** If you are not familiar with the time configuration procedures detailed in this section, contact your service provider before you attempt to change any of the wireless home gateway default time synchronization configuration settings.

Click **Set Time** in the Basic Settings section of the Setup page to access the Basic Settings Enable/Disable time synchronization by Network Time protocol page.

## Setup Basic Settings – Enable/Disable Time Synchronization by Network Time Protocol Page Example

The following illustration is an example of the Basic Settings Enable/Disable time synchronization by Network Time protocol page.

The screenshot shows a web interface for configuring a wireless home gateway. At the top, there is a navigation bar with tabs for 'System', 'Signal', 'Status', 'Log', 'EMTA', and 'Setup'. The 'Setup' tab is selected and highlighted in green. Below the navigation bar, the page title is 'Setup' followed by 'Basic Settings - Enable/Disable time synchronization by Network Time protocol'. A subtitle reads 'This page allow you to enable or disable time synchronization by Network Time protocol.' The main content area contains several configuration options: 'Current System Time' is 'Thu Jan 01 00:11:20 1970'; 'Network Time Protocol' has radio buttons for 'Enable' and 'Disable', with 'Disable' selected; 'Latest Update Success' is shown as a series of dashes; 'Time Zone' is a dropdown menu set to '(GMT) Greenwich Mean Time : Dublin, Edinburgh, Lisbon, London'; 'Daylight Saving Time' is set to '60 minutes' with an 'Enable' checkbox that is unchecked. An 'Apply' button is located below these settings. At the bottom, there is a 'Time Server' section with an empty input field and an 'Add Server' button. Below this, a list of servers is shown: 'time.nist.gov', 'nist.aol-ca.truetime.com', and 'nist1-ny.glassey.com', with a 'Remove Server' button to the right.

## Setup Basic Settings – Enable/Disable Time Synchronization by Network Time Protocol Page Description

The following table provides a description of the fields within the Basic Settings Enable/Disable time synchronization by Network Time protocol page.

Field Name	Description
Current System Time	Displays the current system time and date
Network Time Protocol	Allows you to enable or disable network time protocol  <b>Note:</b> The wireless home gateway will automatically use the time server in your broadband network. Should there be no current time displayed or if the network time is incorrect, enable Network Time Protocol to use a public Internet time server to set the clock in the gateway.
Latest Update Success	Displays the time and date of the last successful time update
Time Zone	Displays the current time zone. The drop-down list allows you to select your local time zone
Daylight Saving Time	Allows you to adjust the time during periods when Daylight Saving Time is in effect. Check the <b>Enable</b> box to enable or disable this setting  <b>Note:</b> If the offset for Daylight Savings Time is other than 60 minutes, enter the offset in the minutes field.
Time Server	Add and delete time server URLs or IP addresses to and from the list, as required. When using Network Time Protocol, multiple time servers can be specified for the gateway to query for time of day. The gateway will sequentially step through the listed time servers until it acquires the current time. There are three well known public time servers entered as default servers.

### Function Keys

Key	Description
Apply	Saves all additions, edits, and changes
Add Server	Allows you to add a network time server
Remove Server	Allows you to remove a network time server

## Configuring the Default Network Settings

You can use the default network settings, or, if your system requires different settings to operate correctly, you can change the default network settings using the Setup Basic Settings – Network Configuration page.

**Note:** If you are not familiar with the network configuration procedures detailed in this section, contact your service provider before you attempt to change any of the wireless home gateway default network configuration settings.

Click **Network Configuration** in the Basic Settings section of the Setup page to access the Setup Basic Settings – Network Configuration page.

## Setup Basic Settings – Network Configuration Page Example

The following illustration is an example of the Setup Basic Settings – Network Configuration page.

**Setup**  
**Basic Settings - Network Configuration**  
This page allows you to enter or modify the basic settings for your network.

---

**LAN**

IP Address:  /   
IP Network: **192.168.0.0**  
Decimal NetMask: **255.255.255.0**  
Broadcast: **192.168.0.255**  
MAC Address: **00:18:68:01:fc:db**

**WAN**

IP Address: **10.90.136.30**  
Subnet Mask: **255.255.255.192**  
Gateway IP: **10.90.136.1**  
Duration: **D: 01 H: 00 M: 00 S: 00**  
Expires: **Fri Jun 06 21:29:55 2008**  
IPv4 DNS Servers: **172.18.201.1**  
**192.133.147.1**

Host Name  (Required by some ISPs)  
Domain Name  (Required by some ISPs)  
Static IP Address      
Static IP Mask      
Default Gateway      
Primary DNS (static IP only)      
Secondary DNS (static IP only)      
MTU Size  (256-1500 octets, 0 = use default)

**Device will be reset if change MTU size.**

## Setup Basic Settings – Network Configuration Page Description

The following table provides a description of the fields within the Setup Basic Settings – Network Configuration page.

Field Name	Description
LAN IP Address	Allows you to configure your private LAN network. The factory default setting is recommended. Do not change this field unless you are familiar with configuring Classless Inter-Domain Routing (CIDR)
IP Network	Displays the address of the private LAN IP network
Decimal NetMask	Displays the subnet mask of the private LAN IP network
Broadcast	Displays the broadcast IP address
MAC Address	Displays the MAC address for the WAN port. The factory assigned MAC address for the WAN port is also referred to as the WAN MGT MAC
WAN IP Address	Displays the public IP address assigned to your gateway by your ISP. The WAN port will be assigned a public IP address automatically by your ISP except when a static IP address is set up as described below. The WAN IP address will be shared by all the PCs in your private local area network to access the Internet
Subnet Mask	Displays the subnet mask for your WAN port. This address is automatically assigned to your WAN port by your ISP except when a static IP address is set up as described later in this table
Gateway IP	Displays a Gateway IP address for your WAN port. This address is automatically assigned to your WAN port by your ISP except when a static IP address is set up as described later in this table
Duration	Displays the date and time the WAN port IP address lease expires
Expires	Displays the date and time your WAN IP address expires
IPv4 DNS Servers	Displays the IP addresses of the DNS servers
Host Name	Displays the host name that is usually downloaded to your gateway by your ISP. However, some ISPs require this information to be entered manually. If manual entry is required, your ISP will provide the information for you to enter into this field.

## How Do I Configure the Wireless Home Gateway?

Field Name	Description
Domain Name	Displays the domain name that is usually downloaded to your gateway by your ISP. However, some ISPs require this information to be entered manually. If manual entry is required, your ISP will provide the information for you to enter into this field.
Static IP Address	Manual entry is required. Your ISP will provide the information for you to enter into this field. <b>Note:</b> When setting a static IP address, you must enter the IP address, subnet mask, and default gateway before the static IP address will become operational.
Static IP Mask	Manual entry is required. Your ISP will provide the information for you to enter into this field.
Default Gateway	Manual entry is required, your ISP will provide the information for you to enter into this field.
Primary DNS (static IP only)	Manual entry is required. Your ISP will provide the information for you to enter into this field.
Secondary DNS (static IP only)	Manual entry is required. Your ISP will provide the information for you to enter into this field.
MTU Size	Sets the size of the maximum transmission unit (MTU) for the network interface. The default value is 0 (zero). <b>Important:</b> Do not change this value unless you are an experienced user.

### Function Keys

The following function keys appear on the Setup Basic Settings - Network Configuration page.

Key	Description
Renew WAN IP Address Lease	Forces a release and renewal of your WAN IP address
Apply	Saves the values you enter into the fields without closing the screen

## Configuring and Managing IP Addresses

Use the Setup Basic Settings - IP Management page to configure how your system manages and assigns IP addresses in your network.

**Note:** If you are not familiar with the IP management procedures detailed in this section, contact your service provider before you attempt to change any of the wireless home gateway default IP management settings.

Click **LAN IP Address Management** in the Basic Settings section of the Setup page to access the Setup Basic Settings - IP Management page.



## Setup Basic Settings - IP Management Page Example

The following illustration is an example of the Setup Basic Settings - IP Management page.

System Signal Status Log Provisioning **Setup** Advanced

**Setup**  
**Basic Settings - IP Management**  
This page allows you to configure how IP addresses are assigned and managed in your network.

DHCP Server  Yes  No

Starting Local Address

Number of CPEs

Lease Time

DHCP Client Lease Info					
MAC Address	IP Address	Subnet Mask	Duration	Expires	
0015587e4b41	192.168.0.0011	255.255.255.000	D:00 H:01 M:00 S:00	-----	

Current System Time: -----

WINS Addresses

Primary: 0.0.0.0  
Secondary: 0.0.0.0  
Tertiary: 0.0.0.0

## Setup Basic Settings - IP Management Page Description

The following tables provide a description of the fields within the Setup Basic Settings - IP Management page.

Field Name	Description
DHCP Server	Allows you to enable or disable the DHCP server in the wireless home gateway
Starting Local Address	Displays the starting address used by the built-in DHCP server to distribute Private LAN IP addresses. In the example shown, addresses between 2 and 9 can be used for devices on your Private LAN that require fixed IP addresses such as printers or a device assigned as a DMZ host  <b>Note:</b> The LAN IP address ending in 1 is reserved for the internal gateway server. The LAN IP address ending in 255 is also reserved and should not be used for CPE devices
Number of CPEs	Enter the maximum number of devices allowed to connect to the Private LAN  <b>Note:</b> The Factory Default is 245. The maximum number of devices is 253. This is the combined total of addresses reserved for static IP addresses, for example, the sum of the IP addresses between 2 and the value entered in the Starting Local Address field and the value entered in the Number of CPEs field.  <b>Note:</b> The sum of the value entered in the Starting Local Address field and the value entered in the Number of CPEs field must always be 255 or less.
Lease Time	Displays the duration (in seconds) of the IP address lease time issued to devices attached to your private LAN
WINS Addresses	Allows you to manually enter Windows Internet Name Server (WINS) server addresses

### Function Keys

The following function keys appear on the Basic Settings - IP Management page.

Key	Description
Apply	Saves the values you enter into the fields without closing the screen
Force Available	Forces the release of an IP address for you to re-use

## Reserving IP Addresses

Use the Setup Basic Settings - Fixed CPE IP Assignment page to reserve IP addresses. This feature allows you to assign a fixed IP address to any device in your network by setting static IP addresses in your PC or other network device.

These addresses will be removed from the pool of the IP addresses to be used by your gateway's DHCP server when issuing IP addresses to devices that are connected to your local network.

Reserving IP addresses is useful in making sure that there are no IP address conflicts on the network, for example, two devices using the same IP address. Another example: when using DMZ Host, the IP address for the DMZ Host should always have the same IP address.

**Note:** If you are not familiar with the Fixed CPE IP Assignment procedures detailed in this section, contact your service provider before you attempt to change any of the wireless home gateway default Fixed CPE IP Assignment settings.

Click **Fixed CPE IP Assignment** in the Basic Settings section of the Setup page to access the Setup Basic Settings - Fixed CPE IP Assignment page.

## Setup Basic Settings - Fixed CPE IP Assignment Page Example

The following illustration is an example of the Setup Basic Settings - Fixed CPE IP Assignment page.

**Setup**  
**Basic Settings - Fixed CPE IP Assignment**  
 This page allows you to set fixed IP for LAN CPE devices.

MAC Address :  :  :  :  :  :

Assign to IP :  .  .  .

MAC Address	IP Address	Status
00:0d:56:12:44:e8 <->	192.168.0.10	Active

## Setup Basic Settings - Fixed CPE IP Assignment Page Description

The following tables provide a description of the fields within the Setup Basic Settings - Fixed CPE IP Assignment page.

Field Name	Description
MAC Address	The MAC address of the PC or device (for example, a printer) for which you want to reserve a specific IP address on the network
Assign to IP	The IP address you assign to the PC or device for which you want to reserve a specific IP address on the network. Only MAC addresses within the range of the gateway's DHCP address pool can be reserved with this feature.  <b>Note:</b> The factory configuration of your gateway sets aside IP addresses 192.168.0.2 through 192.168.0.9 for static IP addresses.

## How Do I Configure the Wireless Home Gateway?

### Function Keys

Key	Description
Add Static IP	Adds the Static IP address to the list of assigned IP addresses
Remove Static IP	Removes the Static IP address from the list of assigned IP addresses

## Restarting the Gateway Modem

Use the Setup Basic Settings - Restart Cable Modem page to restart your cable modem.

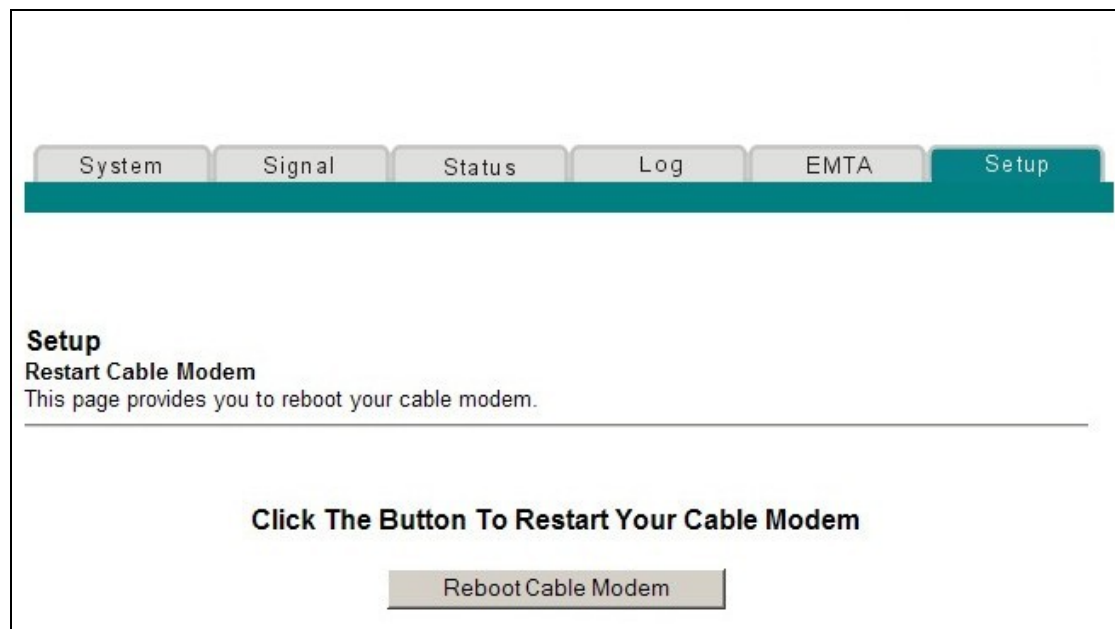
Click **Restart Modem** in the Basic Settings section of the Setup page to access the Basic Settings - Restart Cable Modem page.

Click **Reboot Cable Modem** to restart the gateway modem.

**Note:** Restarting your gateway modem does not reset any of the settings.

## Setup Basic Settings - Restart Cable Modem Page Example

The following illustration is an example of the Restart Cable Modem page.



## Saving Your Configuration

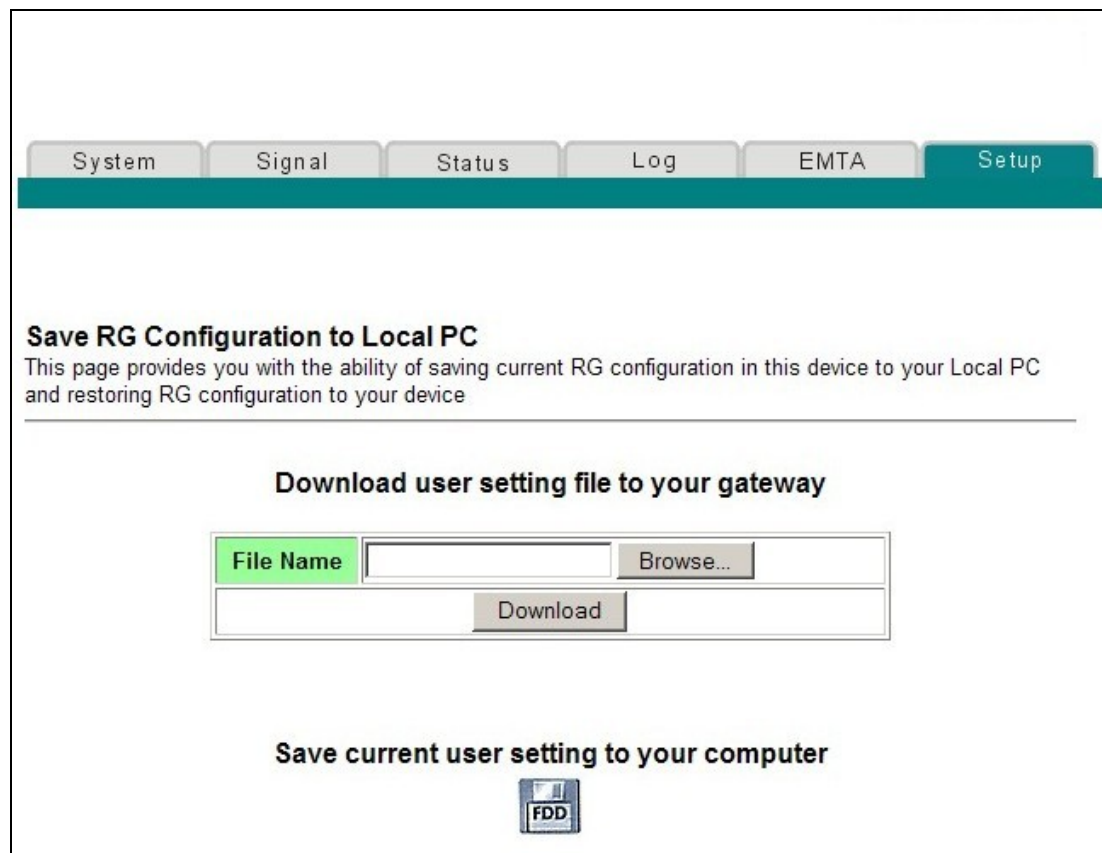
Use the Setup Basic Settings - Save RG Configuration to Local PC page to save your current cable modem RG configuration to the hard drive on your PC or to a floppy disk. You will then be able to restore the RG configuration, if necessary.

**Note:** If you are not familiar with the procedures detailed in this section, contact your service provider before you attempt to change any of the wireless home gateway default settings.

Click **Save Configuration to your PC** in the Basic Settings section of the Setup page to access the Setup Basic Settings - Save RG Configuration to Local PC page.

## Setup Basic Settings - Save RG Configuration to Local PC Page Example

The following illustration is an example of the Setup Basic Settings - Save RG Configuration to Local PC page.



To **Save** your current setting to your computer, click the floppy disk icon in the lower portion of the screen. You will be prompted to provide a file name and location for the backup configuration file.

## How Do I Configure the Wireless Home Gateway?

To **Restore** your setting, click **Browse** and select the backup configuration file name that you saved on your PC. The path and filename of the backup configuration appears in the File Name field. Then, click **Download** to restore your configuration file. A **Download Success** message appears when the restore is complete.

## Enabling and Disabling Advanced Features

Use the Setup Advanced Settings - Options page to enable or disable advanced features on your network. When the wireless interface is disabled, the transmitter is turned off.

**Note:** If you are not familiar with the advanced settings detailed in this section, contact your service provider before you attempt to change any of the wireless home gateway default advanced options settings.

Click **Options** in the Advanced Settings section of the Setup page to access the Setup Advanced Settings - Options page.

## Setup Advanced Settings - Options Page Example

The following illustration is an example of the Setup Advanced Settings - Options page.

System	Signal	Status	Log	EMTA	Setup
<b>Setup</b> <b>Advanced Settings - Options</b> This page allows you to select which advanced features are enabled on your network.					
WAN Blocking <input checked="" type="checkbox"/> <i>Enable</i>					
Ipsec PassThrough <input checked="" type="checkbox"/> <i>Enable</i>					
PPTP PassThrough <input checked="" type="checkbox"/> <i>Enable</i>					
Remote Config Management <input type="checkbox"/> <i>Enable</i>					
Multicast Enable <input checked="" type="checkbox"/> <i>Enable</i>					
UPnP Enable <input type="checkbox"/> <i>Enable</i>					
<input type="button" value="Apply"/>					

## Setup Advanced Settings - Options Page Description

The following table provides a description of the fields within the Setup Advanced Settings - Options page.

**Note:** If you make changes in the Setup Advanced Settings - Options page, click Apply to apply and save your new IP address filter settings.

Field Name	Description
WAN Blocking	Checking this box prevents the wireless home gateway from being visible to the WAN. For example, pings to the WAN IP address are not returned
Ipssec PassThrough	Checking this box allows applications that use IPSec (IP Security) to pass through the firewall
PPTP PassThrough	Checking this box allows applications that use Point to Point Tunneling Protocol (PPTP) to pass through the firewall
Remote Config Management	<p>Checking this box enables Remote Configuration Management that allows the user or network operator to view and/or modify the gateway set-up parameters from a location on the WAN, as opposed to the LAN side of the gateway. Access to the set-up parameters is obtained by using the password to access the WebWizard.</p> <p>Enable this feature by checking the <b>Remote Config Management</b> box on the Setup Advanced Settings - Options page. To access your gateway from a remote location, you must also know the WAN IP address of the gateway. To find the WAN IP address, go to the Network Configuration page under Basic Settings. You will find the gateway's WAN IP address list on this page.</p> <p>Enter the WAN IP address of your gateway into the address field of any Web browser using the following format: <code>http://xxx.xxx.xxx.xxx:8080</code> where xxx.xxx.xxx.xxx represents the WAN IP address of your gateway.</p> <p>Be sure to follow the syntax exactly, and then click Go or press Enter. Your gateway Web pages will appear on the remote computer. You will still need to enter your password to access the Setup pages of your gateway</p> <p><b>Note:</b> If you choose to enable (check) this feature, be sure to set up a user password to prevent unauthorized access to your gateway settings.</p>
Multicast Enable	Checking this box allows multicasts to pass from the WAN side through to the private network
UPnP Enable	Checking this box enables Universal Plug and Play features



## Configuring IP Address Filters

Use the Setup Advanced Settings - IP Filtering page to configure IP address filters. These filters block a range of IP addresses from accessing the Internet.

**Note:** If you are not familiar with the advanced settings detailed in this section, contact your service provider before you attempt to change any of the wireless home gateway default advanced IP filtering settings.

Click **IP Address Filtering** in the Advanced Settings section of the Setup page to access the Setup Advanced Settings - IP Filtering page.

## Setup Advanced Settings - IP Filtering Page Example

The following illustration is an example of the Setup Advanced Settings - IP Filtering page.

IP Filtering		
Start Address	End Address	Enable
0.0.0.0	0.0.0.0	<input type="checkbox"/>
0.0.0.0	0.0.0.0	<input type="checkbox"/>
0.0.0.0	0.0.0.0	<input type="checkbox"/>
0.0.0.0	0.0.0.0	<input type="checkbox"/>
0.0.0.0	0.0.0.0	<input type="checkbox"/>
0.0.0.0	0.0.0.0	<input type="checkbox"/>
0.0.0.0	0.0.0.0	<input type="checkbox"/>
0.0.0.0	0.0.0.0	<input type="checkbox"/>
0.0.0.0	0.0.0.0	<input type="checkbox"/>
0.0.0.0	0.0.0.0	<input type="checkbox"/>

Apply

## Setup Advanced Settings - IP Filtering Page Description

Use this page to specify and enable a range of IP addresses that cannot have access to the Internet. Click **Apply** to apply and save your new IP address filter settings.

## Configuring MAC Address Filters

Use the Setup Advanced Settings - MAC Filtering page to configure MAC address filters. These filters allow you to deny or block access to the Internet by the individual MAC addresses listed in the table. You can also prevent individual PCs from sending outgoing TCP/UDP traffic to the WAN using their MAC address.

**Note:** If you are not familiar with the advanced settings detailed in this section, contact your service provider before you attempt to change any of the wireless home gateway default advanced MAC filtering settings.

Click **MAC Address Filtering** in the Advanced Settings section of the Setup page to access the Setup Advanced Settings - MAC Filtering page.

## Setup Advanced Settings - MAC Filtering Page Example

The following illustration is an example of the Setup Advanced Settings - MAC Filtering page.

System Signal Status Log Provisioning Setup Advanced

**Setup**  
**Advanced Settings - MAC Filtering**  
This page allows you to configure MAC address filters.

Block Listed

MAC Addresses (example: 01:23:45:67:89:AB)

--

Addresses entered: 0/20

## Setup Advanced Settings - MAC Filtering Page Description

Use this page to enter the MAC address or MAC addresses of devices whose Internet access you want to control. Click **Add MAC Address** to apply and save your new MAC address filter settings.

## Setting Up MAC Address Filters

The Block/Pass drop down menu allows you to block or pass Internet access to the MAC addresses of the devices you list in the MAC Address Filters table. The following table describes the function of the Block/Pass drop down menu.

Field Name	Description
Block Listed (Default)	Select <b>Block</b> to deny Internet access to the MAC addresses of the devices you list in the table. All other MAC addresses will be allowed Internet access.
Pass	Select <b>Pass</b> to allow Internet access only to the MAC addresses of the devices you list in the table. Any MAC addresses <i>not</i> listed in the table will be denied Internet access.

### Function Keys

Key	Description
Add MAC Address	Adds the MAC address you enter in the <b>Add MAC Address</b> field
Remove MAC Address	Click to remove a selected MAC address from the list
Clear All	Click to remove all MAC addresses from the list

## Configuring and Enabling TCP and UDP Port Filters

Use the Setup Advanced Settings - Port Filtering page to configure and enable TCP and UDP port filters. These filters prevent a range of TCP/UDP ports from accessing the Internet. You can also prevent PCs from sending outgoing TCP/UDP traffic to the WAN on specific IP port numbers. This filter is not IP address- or MAC address-specific. The system blocks the specified port ranges for all PCs.

**Note:** If you are not familiar with the advanced settings detailed in this section, contact your service provider before you attempt to change any of the wireless home gateway default advanced port filtering settings.

Click **Port Filtering** in the Advanced Settings section of the Setup page to access the Setup Advanced Settings - Port Filtering page.

## Setup Advanced Settings - Port Filtering Page Example

The following illustration is an example of the Setup Advanced Settings - Port Filtering page.

**Setup**  
**Advanced Settings - Port Filtering**  
This page allows you to configure TCP and UDP port filters.

Start Port	End Port	Protocol	Enable
1	65535	Both	<input type="checkbox"/>
1	65535	Both	<input type="checkbox"/>
1	65535	Both	<input type="checkbox"/>
1	65535	Both	<input type="checkbox"/>
1	65535	Both	<input type="checkbox"/>
1	65535	Both	<input type="checkbox"/>
1	65535	Both	<input type="checkbox"/>
1	65535	Both	<input type="checkbox"/>
1	65535	Both	<input type="checkbox"/>
1	65535	Both	<input type="checkbox"/>

Apply

## Setup Advanced Settings - Port Filtering Page Description

Use this page to enter and enable the desired port filtering ranges and protocols in the appropriate fields and then click **Apply** to apply and save your new port filtering settings.

## Configuring Port Forwarding for Local IP Addresses

Use the Setup Advanced Settings - Port Forwarding page to configure port forwarding for local IP addresses. Port forwarding allows you to run a server on the LAN by specifying the mapping of TCP/UDP ports to a local PC. You must also set up a fixed private LAN IP address for the destination device.

**Note:** If you are not familiar with the advanced settings detailed in this section, contact your service provider before you attempt to change any of the wireless home gateway default advanced port forwarding settings.

Click **Port Forwarding** in the Advanced Settings section of the Setup page to access the Setup Advanced Settings - Port Forwarding page.

## Setup Advanced Settings - Port Forwarding Page Example

The following illustration is an example of the Setup Advanced Settings - Port Forwarding page.

**Setup**  
**Advanced Settings - Port Forwarding**  
This page allows you to configure port forwarding for local IP addresses.

Port Forwarding				
Local IP Addr	Start Port	End Port	Protocol	Enable
192.168.0.0	0	0	Both	<input type="checkbox"/>
192.168.0.0	0	0	Both	<input type="checkbox"/>
192.168.0.0	0	0	Both	<input type="checkbox"/>
192.168.0.0	0	0	Both	<input type="checkbox"/>
192.168.0.0	0	0	Both	<input type="checkbox"/>
192.168.0.0	0	0	Both	<input type="checkbox"/>
192.168.0.0	0	0	Both	<input type="checkbox"/>
192.168.0.0	0	0	Both	<input type="checkbox"/>
192.168.0.0	0	0	Both	<input type="checkbox"/>
192.168.0.0	0	0	Both	<input type="checkbox"/>
192.168.0.0	0	0	Both	<input type="checkbox"/>

Apply

## Setup Advanced Settings - Port Forwarding Page Description

The following example illustrates how to use the port forwarding feature to configure the Microsoft X-Box Online Live for Internet gaming.

**Note:** For most widely used applications (including Microsoft X-Box Online Live), the built-in firewall automatically maps and opens ports required for that application while the application is in use.

1. Set the device to be used for port forward to a fixed IP address, for example, **192.168.0.5**.
2. In the first entry of the Port Forwarding area of the page, enter the same IP address (192.168.0.5) in the Local IP Address field.
3. In the same row, enter the appropriate port numbers in the Start Port and End Port fields.
4. In the same row, select the appropriate protocol from the drop-down list in the Protocol field, and then select the box in the **Enable** field.
5. To add additional ports, repeat steps 1 through 4, and then go to step 6.
6. Click **Apply** to apply and save your new port forwarding settings.

## Configuring TCP/UDP Port Triggers

Use the Setup Advanced Settings - Port Triggers page to configure TCP/UDP port triggers. Port triggering is similar to port forwarding but is dynamic. In other words, the system does not hold the ports open indefinitely. For example, when the wireless home gateway detects outgoing data on a specific IP port number set in the "Trigger Range," the resulting ports set in the "Target Range" will open for incoming data. If the system detects no outgoing traffic on the "Trigger Range" ports for a period of 10 minutes, the "Target Range" ports close. This is a safer method for opening specific ports for special applications, such as, video conferencing programs, interactive gaming, and file transfer in chat programs. This is safe because the ports are dynamically triggered and not held open continuously or left open erroneously by the router administrator. Therefore, these ports are not exposed and vulnerable for potential hackers to discover.

**Note:** If you are not familiar with the advanced settings detailed in this section, contact your service provider before you attempt to change any of the wireless home gateway default advanced port triggers settings.

Click **Port Triggers** in the Advanced Settings section of the Setup page to access the Setup Advanced Settings - Port Triggers page.

## Setup Advanced Settings - Port Triggers Page Example

The following illustration is an example of the Setup Advanced Settings - Port Triggers page.

SystemSignalStatusLogEMTASetup

**Setup**  
**Advanced Settings - Port Triggers**  
This page allows you to configure TCP/UDP port triggers.

Port Triggering					
Trigger Range		Target Range			
Start Port	End Port	Start Port	End Port	Protocol	Enable
<input type="text" value="0"/>	<input type="text" value="0"/>	<input type="text" value="0"/>	<input type="text" value="0"/>	Both ▾	<input type="checkbox"/>
<input type="text" value="0"/>	<input type="text" value="0"/>	<input type="text" value="0"/>	<input type="text" value="0"/>	Both ▾	<input type="checkbox"/>
<input type="text" value="0"/>	<input type="text" value="0"/>	<input type="text" value="0"/>	<input type="text" value="0"/>	Both ▾	<input type="checkbox"/>
<input type="text" value="0"/>	<input type="text" value="0"/>	<input type="text" value="0"/>	<input type="text" value="0"/>	Both ▾	<input type="checkbox"/>
<input type="text" value="0"/>	<input type="text" value="0"/>	<input type="text" value="0"/>	<input type="text" value="0"/>	Both ▾	<input type="checkbox"/>
<input type="text" value="0"/>	<input type="text" value="0"/>	<input type="text" value="0"/>	<input type="text" value="0"/>	Both ▾	<input type="checkbox"/>
<input type="text" value="0"/>	<input type="text" value="0"/>	<input type="text" value="0"/>	<input type="text" value="0"/>	Both ▾	<input type="checkbox"/>
<input type="text" value="0"/>	<input type="text" value="0"/>	<input type="text" value="0"/>	<input type="text" value="0"/>	Both ▾	<input type="checkbox"/>
<input type="text" value="0"/>	<input type="text" value="0"/>	<input type="text" value="0"/>	<input type="text" value="0"/>	Both ▾	<input type="checkbox"/>
<input type="text" value="0"/>	<input type="text" value="0"/>	<input type="text" value="0"/>	<input type="text" value="0"/>	Both ▾	<input type="checkbox"/>
<input type="text" value="0"/>	<input type="text" value="0"/>	<input type="text" value="0"/>	<input type="text" value="0"/>	Both ▾	<input type="checkbox"/>



## Setup Advanced Settings - Port Triggers Page Description

Use this page to enter and enable the port forwarding trigger and target range start and end ports along with protocol information in the appropriate fields. The following example illustrates how to use the port triggering feature to configure the Microsoft X-Box Online Live for Internet gaming.

**Note:** For most widely used applications (including Microsoft X-Box Online Live), the built-in firewall automatically maps and opens ports required for that application while the application is in use.

1. In the first row, enter **88** in both Start Port and End Port fields.
2. In the same row, select **UDP** from the drop-down list in the Protocol field, and then select the box in the **Enable** field.
3. In the second row, enter **3074** in both Start Port and End Port fields.
4. In the same row as the second entry, select **Both**, and then select the box in the Enable field.
5. Click **Apply** to apply and save your new port forwarding settings.

## Configuring the DMZ Host

Use the Setup Advanced Settings - DMZ Host page to configure an IP address that is visible to the WAN. DMZ hosting is commonly referred to as “exposed host,” and allows you to specify the “default” recipient of WAN traffic that Network Address Translation (NAT) is unable to translate to a known local PC. DMZ allows one IP address to be unprotected while others remain protected.

**Note:** If you are not familiar with the advanced settings detailed in this section, contact your service provider before you attempt to change any of the wireless home gateway default advanced DMZ host settings.

Click **DMZ Host** in the Advanced Settings section of the Setup page to access the Setup Advanced Settings - DMZ Host page.

## Setup Advanced Settings - DMZ Host Page Example

The following illustration is an example of the Setup Advanced Settings - DMZ Host page.

System Signal Status Log Provisioning Setup Advanced

**Setup**  
**Advanced Settings - DMZ Host**  
The LAN IP address listed as the DMZ Host will have traffic forwarded to it from the public Internet. The DMZ Host is exposed to the public Internet and not protected by filtering.

DMZ Address

Apply

## Setup Advanced Settings - DMZ Host Page Description

Use this page to place a Private LAN IP device, for example, an FTP, Mail, or Web server directly on the Internet (bypassing the firewall). You set the server with a fixed IP address as a DMZ Host by entering its IP address in the DMZ Address field. Make sure the IP address used is not in the range of addresses delivered by the built-in DHCP server. After setting up a DMZ Host, all ports on this device are open to the Internet. You may configure only one PC to be the DMZ host. DMZ is generally used for PCs running “problem” applications that use random port numbers and do not function correctly with the specific port triggers or port forwarding setups described earlier in this guide. After entering a DMZ Address, click **Apply** to apply and save your new DMZ Host setting.

## Configuring VPN Termination

Use the Setup Advanced Settings - VPN Termination page to configure VPN protocols and manage VPN tunnels. A VPN is a connection between two endpoints in different networks that allows private data to be sent securely and transparently over public networks or other private networks. With a VPN, you can send data securely between these two locations or networks. This is accomplished by creating a "VPN tunnel." A VPN tunnel connects the two PCs or networks and allows data to be transmitted over the Internet as if it were still within those networks. The VPN tunnel uses IPsec (Internet Protocol security) to encrypt the data sent between the two networks and encapsulate the data within a normal Ethernet/IP frame so as to transport the private network securely and seamlessly through other public or private networks.

A VPN provides a cost-effective and more secure alternative to using a private, dedicated, leased line for a private network. Using industry standard encryption and authentication techniques, an Internet Protocol Security (IPsec) VPN creates a secure connection that operates as if you were directly connected to your local network.

For example, a VPN allows users to sit at home and connect to his/her employer's corporate network and receive an IP address in their private network just as though they were sitting in their office connected to their corporate LAN.

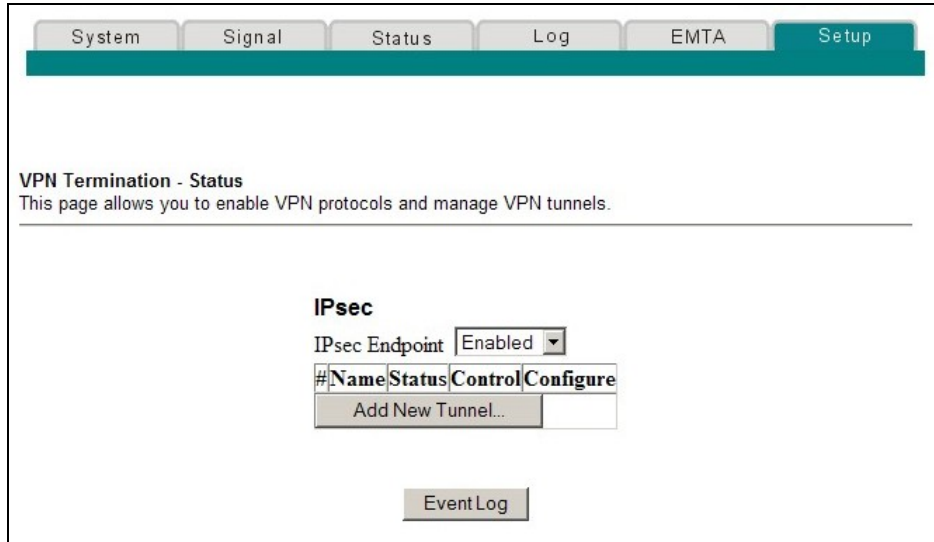
Another advantage of a VPN network is that it all proprietary Microsoft Windows-based networking protocols can pass through the router using the VPN tunnel to access corporate shared network drives.

**Note:** If you are not familiar with the advanced settings detailed in this section, contact your service provider before you attempt to change any of the wireless home gateway defaults advanced VPN Termination settings.

Click **VPN Termination** in the Advanced Settings section of the Setup page to access the Setup Advanced Settings - VPN Termination - Status page. The VPN Termination - Status page allows you to create, configure, and control IPsec VPN tunnels.

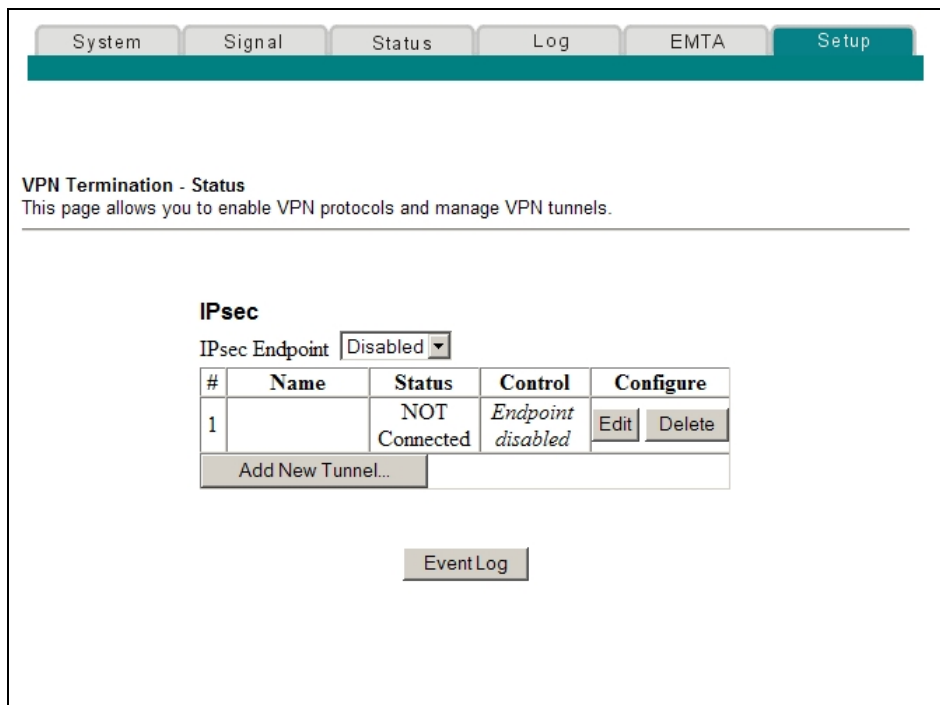
## Setup Advanced Settings - VPN Termination - Blank Status Page Example

The following illustration is an example of a blank Setup Advanced Settings - VPN Termination - Status page. No VPN tunnels are configured.



## Setup Advanced Settings - VPN Termination - Status Page with VPN Tunnel Configured

The following illustration is an example of the Setup Advanced Settings - VPN Termination - Status page with a VPN tunnel configured.



## Setup Advanced Settings - VPN Termination - Status Page Description

This section describes the section headings and field descriptions of the Setup Advanced Settings - VPN Termination - Status page. This page allows you to create, configure, and control IPsec VPN tunnels.

**Note:** You can set up and manage up to 50 different VPN tunnels.

Field Name	Description
IPsec Endpoint	Enables/disables the IP sec endpoint mode
Name	Displays the user-defined tunnel name entered from the VPN Setup page
Status	Displays the current connection state (Connected/NOT Connected)
Control	Displays one of the following three keys based on the current tunnel enable and connection state: <ul style="list-style-type: none"> <li>■ Enable</li> <li>■ Connect</li> <li>■ Endpoint disabled</li> </ul>
Configure	Displays Edit or Delete keys used for settings management
Add New Tunnel	Allows you to create a new tunnel configuration. When you click <b>Add New Tunnel</b> , the <b>VPN Setup</b> page opens
Event Log	Allows you to access the Event Log page. The Event Log page shows a history of VPN connections and activity in chronological order and also displays the IP address of both endpoints on the tunnel (local and remote) <p><b>Note:</b> On the Event Log page, pressing the <b>Refresh</b> key updates the Event Log table to show any changes since the page was loaded. Pressing the <b>Clear</b> key clears the log table of its current contents and only the most recent data appears</p>

## Creating and Configuring IPsec VPN Tunnels

To create and configure IPsec VPN tunnels, click **Add New Tunnel** on the VPN Termination - Status page. The VPN Setup page opens. The following illustration is an example of the VPN Setup page.

System
Signal
Status
Log
EMTA
Setup

**VPN Setup**  
This page allows you to configure and manage VPN tunnels.

---

Tunnel 1

Name

Disabled

Delete Tunnel

Add New Tunnel

Apply

**Local endpoint settings**

Address group type IP subnet

Subnet 192 . 168 . 0 . 0

Mask 255 . 255 . 255 . 0

Identity type IP address

Identity

**Remote endpoint settings**

Address group type IP subnet

Subnet 0 . 0 . 0 . 0

Mask 0 . 0 . 0 . 0

Identity type IP address

Identity

Network address type IP address

Remote Address 0.0.0.0

**IPsec settings**

Pre-shared key

Phase 1 DH group Group 1 (768 bits)

Phase 1 encryption DES

Phase 1 authentication MD5

Phase 1 SA lifetime 28800 seconds

Phase 2 encryption DES

Phase 2 authentication MD5

Phase 2 SA lifetime 3600 seconds

Show Advanced Settings

Apply VPN Status

## Setup Advanced Settings - VPN Setup Page Description

This section describes the section headings and field descriptions of the Setup Advanced Settings - VPN Setup page. This page allows you create, configure, and control IPsec VPN tunnels.

### Tunnel Section

Field Name	Description
Tunnel	Displays existing tunnels and allows each tunnel to be individually configured
Name	Displays the name of a group of settings for a single tunnel. If no name is entered, the tunnels are named sequentially 1, 2, 3, and so on.
Enable/Disable	Enables/disables a VPN tunnel after the tunnel is named and configured. Click <b>Apply</b> to activate the selected setting (Enabled or Disabled)

### Function Keys

The following table describes the function keys associated with the Tunnel section of the VPN Setup page.

Key	Description
Delete Tunnel	Allows you to delete a tunnel.
Add New Tunnel	Allows you to create a heading for the tunnel settings that you can select using the Tunnel drop-down menu
Apply	Activates the selected setting (Enabled or Disabled)

### Local Endpoint Settings

The following table describes the fields in the Local endpoint settings section of the VPN Setup page.

Field Name	Description
Address group type	Allows you to select the address group type for the local VPN access group. The following types are available: <ul style="list-style-type: none"> <li>■ IP subnet</li> <li>■ Single IP address</li> <li>■ IP address range</li> </ul>

Field Name	Description
Subnet	<p>Allows you to enter Subnet information based on the selected Address group type.</p> <ul style="list-style-type: none"> <li>■ For IP subnet, enter the subnet</li> <li>■ For Single IP address, enter only the specific IP address</li> <li>■ For IP address range, enter the starting and ending IP addresses</li> </ul>
Mask	<p>Allows you to enter Mask information based on the selected Address group type.</p> <ul style="list-style-type: none"> <li>■ For IP subnet, enter the subnet mask</li> <li>■ For Single IP address, enter only the specific IP address in the Subnet field. Leave this field blank.</li> <li>■ For IP address range, enter the starting IP and ending IP addresses</li> </ul>
Identity type	<p>Allows you to select the local Identity type from one of the following options:</p> <ul style="list-style-type: none"> <li>■ WAN IP address of the router(default)</li> <li>■ User-specified IP address</li> <li>■ Fully qualified domain name (FQDN)</li> <li>■ Email address</li> </ul> <p>This is the identity that the far endpoint will use for identification of the VPN termination point. The remote VPN endpoint on the other end of the tunnel should match these settings for its remote endpoint settings</p>
Identity	<p>Allows you to enter the identity string after you have selected the identity type using one of the following formats:</p> <ul style="list-style-type: none"> <li>■ For IP address mode use the format xxx.xxx.xxx.xxx</li> <li>■ For FQDN use the format "yourdomain.com"</li> <li>■ For email address use the format "yourname@yourdomain.com"</li> </ul> <p>The remote VPN endpoint on the other end of the tunnel should match these settings for its remote endpoint settings</p>



### Remote Endpoint settings

These settings control how the local endpoint (router) connects to the far VPN termination point (the other end of the VPN tunnel).

Field Name	Description
Address group type	<p>Allows you to select the address group type for the remote VPN access group. The following types are available:</p> <ul style="list-style-type: none"> <li>■ IP subnet</li> <li>■ Single IP address</li> <li>■ IP address range</li> </ul> <p>The remote VPN endpoint on the other end of the tunnel should match these settings for its remote endpoint settings</p>
Subnet	<p>Allows you to enter Subnet information based on the selected Address group type.</p> <ul style="list-style-type: none"> <li>■ For IP subnet, enter the subnet</li> <li>■ For Single IP address, enter only the specific IP address</li> <li>■ For IP address range, enter the starting and ending IP addresses</li> </ul>
Mask	<p>Allows you to enter Mask information based on the selected Address group type.</p> <ul style="list-style-type: none"> <li>■ For IP subnet, enter the subnet mask</li> <li>■ For Single IP address, enter only the specific IP address in the Subnet field. Leave this field blank.</li> <li>■ For IP address range, enter the starting IP and ending IP addresses</li> </ul>
Identity type	<p>Allows you to select the remote Identity type from one of the following options:</p> <ul style="list-style-type: none"> <li>■ WAN IP address of the router(default)</li> <li>■ User-specified IP address</li> <li>■ Fully qualified domain name (FQDN)</li> <li>■ Email address</li> </ul> <p>This is the identity that the far endpoint will use for identification of the VPN termination point. The remote VPN endpoint on the other end of the tunnel should match these settings for its remote endpoint settings</p>

Field Name	Description
Identity	<p>Allows you to enter the identity string after you have selected the identity type using one of the following formats:</p> <ul style="list-style-type: none"> <li>■ For IP address mode use the format xxx.xxx.xxx.xxx</li> <li>■ For FQDN use the format "yourdomain.com"</li> <li>■ For email address use the format "yourname@yourdomain.com"</li> </ul> <p>The remote VPN endpoint on the other end of the tunnel should match these settings for its remote endpoint settings</p>
Network address type	<p>Allows you to enter the address type for the endpoint WAN. Choose one of the following options:</p> <ul style="list-style-type: none"> <li>■ IP address</li> <li>■ FQDN</li> </ul>
Remote address	<p>Allows you to enter either the IP address or the FQDN of the remote endpoint depending on what Network Address type you selected</p>

### IPsec Settings

With VPN tunnels there are two phases of Security Association (SA).

- Phase 1 creates an Internet Key Exchange (IKE) SA
- When Phase 1 is complete, Phase 2 creates one or more IPsec SAs that are then used to key IPsec sessions

Field	Description
Pre-shared key	<p>Allows you to enter the Pre-shared key of the firewall identifier if one side of the VPN tunnel is using a unique firewall</p>
Phase 1 DH group	<p>Allows you to select one of following three Diffie-Hellman (DH) encryption/decryption groups:</p> <ul style="list-style-type: none"> <li>■ 768 bits</li> <li>■ 1024 bits</li> <li>■ 1536 bits</li> </ul> <p>Diffie-Hellman is a cryptographic technique that uses public and private keys for encryption and decryption. The higher number of bits selected, the more secure the connection</p>

## How Do I Configure the Wireless Home Gateway?

Field	Description
Phase 1 encryption	<p>Allows you to select the form of encryption to secure the VPN connection between endpoints. Select from the following five encryption types:</p> <ul style="list-style-type: none"> <li>■ DES</li> <li>■ 3DES</li> <li>■ AES-128</li> <li>■ AES-192</li> <li>■ AES-256</li> </ul> <p>You may choose any encryption type as long as the other end of the VPN tunnel uses the same method</p>
Phase 1 authentication	<p>Allows you to select an authentication type for another level of security. Select one of the following authentication types:</p> <ul style="list-style-type: none"> <li>■ MD5</li> <li>■ SHA</li> </ul> <p>You may choose either authentication type as long as the other end of the VPN tunnel uses the same method</p> <p><b>Note:</b> SHA is recommended because it is more secure.</p>
Phase 1 SA lifetime	<p>Allows you to enter the number of seconds for an individual rotating key to last until a re-key negotiation between each endpoint occurs. Smaller lifetimes are generally more secure since it would give a hacker a smaller amount of time to try to crack the key. However, key negotiation does take up bandwidth, so network throughput is sacrificed with small lifetimes. The default setting is 28,800 seconds.</p>
Phase 2 encryption	<p>Allows you to select the form of encryption to secure the VPN connection between endpoints. Select from the following five encryption types:</p> <ul style="list-style-type: none"> <li>■ DES</li> <li>■ 3DES</li> <li>■ AES-128</li> <li>■ AES-192</li> <li>■ AES-256</li> </ul> <p>You may select any form of encryption as long as the other end of the VPN tunnel uses the same method</p> <p><b>Note:</b> 3DES encryption is commonly used, but AES is recommended because it is very difficult to crack</p>

Field	Description
Phase 2 authentication	<p>Allows you to select an authentication type for another level of security. Select one of the following three authentication types:</p> <ul style="list-style-type: none"><li>■ MD5</li><li>■ SHA</li><li>■ Null (none)</li></ul> <p>You may choose any authentication type as long as the other end of the VPN tunnel uses the same method</p> <p><b>Note:</b> SHA is recommended because it is more secure.</p>
Phase 2 SA lifetime	<p>Allows you to enter the number of seconds for an individual rotating key to last until a re-key negotiation between each endpoint occurs. Smaller lifetimes are generally more secure since it would give a hacker a smaller amount of time to try to crack the key. However, key negotiation does take up bandwidth, so network throughput is sacrificed with small lifetimes. The default setting for Phase 2 is 3,600 seconds.</p>

## Configuring Firewall Protection

Use the Setup Firewall - Options page to configure webpage filtering and firewall protection. This page allows you to enable various firewall protection filters.

**Note:** If you are not familiar with the advanced settings detailed in this section, contact your service provider before you attempt to change any of the wireless home gateway default firewall options settings.

Click **Options** in the Firewall section of the Setup page to access the Setup Firewall - Options page.

## Setup Firewall - Options Page Example

The following illustration is an example of the Setup Firewall - Options page.

The screenshot shows a web interface with a navigation bar at the top containing tabs for System, Signal, Status, Log, EMTA, and Setup. The Setup tab is active. Below the navigation bar, the page title is "Setup Firewall - Options" with a subtitle "This page allows you to configure web page filtering and firewall protection." A list of configuration options follows, each with a checkbox and the word "Enable". The options and their states are: Filter Proxy (unchecked), Filter Cookies (unchecked), Filter Java Applets (unchecked), Filter ActiveX (unchecked), Filter Popup Windows (unchecked), Block Fragmented IP Packets (checked), Port Scan Detection (unchecked), IP Flood Detection (checked), and Firewall Protection (checked). An "Apply" button is located at the bottom of the list.

Filter Proxy	<input type="checkbox"/> Enable
Filter Cookies	<input type="checkbox"/> Enable
Filter Java Applets	<input type="checkbox"/> Enable
Filter ActiveX	<input type="checkbox"/> Enable
Filter Popup Windows	<input type="checkbox"/> Enable
Block Fragmented IP Packets	<input checked="" type="checkbox"/> Enable
Port Scan Detection	<input type="checkbox"/> Enable
IP Flood Detection	<input checked="" type="checkbox"/> Enable
Firewall Protection	<input checked="" type="checkbox"/> Enable

Apply

## Setup Firewall - Options Page Description

This section describes the section headings and fields descriptions of the Setup Firewall - Options page.

**Note:** If you make changes in any of the fields in the Setup Firewall - Options page, click **Apply** to apply and save your Firewall settings.

The following table provides a description of each field name within the Setup Firewall - Options page.

Field Name	Description
Filter Proxy	Enables/disables proxy
Filter Cookies	Enables/disables cookie blocking. This feature filters the unsolicited delivery of cookies to devices from the Internet to devices in your private local network. Cookies are computer files that contain personal information or Web surfing behavior data.
Filter Java Applets	Enables/disables java applets. This feature helps to protect the devices in your private network from irritating or malicious Java applets that are sent, unsolicited, to devices in your private network from the Internet. These applets run automatically when they are received by a PC.
Filter ActiveX	Enables/disables ActiveX controls. This feature helps to protect the devices in your private network from irritating or malicious ActiveX controls that are sent, unsolicited, to devices in your private network from the Internet. These ActiveX controls run automatically when they are received by a PC.
Filter Popup Windows	Enables/disables popup windows. Some commonly used applications employ popup windows as part of the application. If you disable popup windows, it may interfere with some of these applications.
Block Fragmented IP Packets	Enables/disables filtering of fragmented IP packets. This feature helps protect your private local network from Internet based denial of service attacks.
Port Scan Detection	Enables/disables the gateway from responding to Internet based port scans. This feature is designed to protect your private local network from Internet based hackers who attempt to gain unsolicited access your network by detecting open IP ports on your gateway.
IP Flood Detection	Blocks malicious devices that are attempting to flood devices or networks with illegal broadcast packets. Also referred to as "broadcast storm."

## How Do I Configure the Wireless Home Gateway?

Field Name	Description
Firewall Protection	Enables/disables the firewall. When the firewall is enabled, the firewall will allow most commonly used applications to automatically open IP ports and pass data without any special setup or manual port configuration.

### Configuring Firewall Event Logging and Email Alerts

Use the Setup Firewall - Event Logging page to access the firewall event log and allows you to enter your email address in order for you to receive email alerts related to firewall attacks by hackers.

**Note:** If you are not familiar with the settings detailed in this section, contact your service provider before you attempt to change any of the wireless home gateway default firewall event logging settings.

Click **Event Logging** in the Firewall section of the Setup page to access the Setup Firewall - Event Logging page.

### Setup Firewall - Event Logging Page Example

The following illustration is an example of the Setup Firewall - Event Logging page.

System Signal Status Log EMTA Setup

**Setup**  
**Firewall - Event Logging**  
This page provides access to the firewall event log and allows you to enter your email address for email alerts related to firewall attacks.

Contact Email Address

SMTP Server Name

E-mail Alerts  Enable

Apply

Description	Count	Last Occurence	Target	Source
-------------	-------	----------------	--------	--------

E-mail Log Clear Log

## Setup Firewall - Event Logging Page Description

The Setup Firewall - Event Logging page shows events captured by the firewall. The log displays the following items:

- Description of the event
- Number of events that have occurred
- Last occurrence of an event
- Target and source addresses

You can configure the system to email log events to the administrator in order for the administrator to monitor the firewall.

This section describes the section headings and fields descriptions of the Setup Firewall - Event Logging page.

Field Name	Description
Contact Email Address	Allows you to enter the email address of the person who monitors the firewall. When an event occurs, it will be logged and an email will be sent to this address automatically reporting the event.
SMTP Server Name	Allows you to enter the mail server name of your outgoing mail server, or the mail server of your Internet service provider (ISP)
E-mail Alerts	Allows you to enable or disable sending email alerts
Description	Describes what event was detected by the gateway's firewall
Count	Displays the number of times the event has been detected
Last Occurrence	Displays the time the last occurrence of this event was detected
Target	Displays the IP address of the device in your private local network to which the event was directed along with the IP port number targeted by the event
Source	Displays the IP address of the Internet based source of the event along with the IP port number used by that device



## How Do I Configure the Wireless Home Gateway?

### Function Keys

The following function keys appear on the Setup Firewall – Event Logging page.

<b>Key</b>	<b>Description</b>
Apply	Saves the values you enter into the fields without closing the screen
E-mail Log	Allows you to force the system to send an email alert even if the E-mail Alerts box is left unchecked
Clear Log	Allows you to clear all entries in the log

## Configuring Parental Control

Use the Setup Parental Control – User Setup page to configure parental controls on the wireless home gateway, and to add or delete the individuals who are authorized to set parental controls.

**Note:** If you are not familiar with the settings detailed in this section, contact your service provider before you attempt to change any of the wireless home gateway default parental control settings.

Click **User Setup** in the Parental Control section of the Setup page to access the Setup Parental Control – User Setup page.

## Setup Parental Control – User Setup Page Example

The following illustration is an example of the Setup Parental Control – User Setup page.

**System**   **Signal**   **Status**   **Log**   **EMTA**   **Setup**

**Setup**  
**Parental Control - User Setup**  
This page allows configuration of users.

---

User Configuration	
<input type="text"/>	<input type="button" value="Add User"/>
User Settings	
1. Default	<input type="checkbox"/> <i>Enable</i> <input type="button" value="Remove User"/>
Password	<input type="text"/>
Re-Enter Password	<input type="text"/>
Trusted User	<input checked="" type="checkbox"/> <i>Enable</i>
Content Rule	1. Default
Time Access Rule	No rule set
Session Duration	0 min
Inactivity time	0 min
<input type="button" value="Apply"/>	

## Setup Parental Control – User Setup Page Description

This section describes the section headings and fields descriptions of the Setup Parental Control – User Setup page. This page allows you to set up user profiles. Each profile can be assigned customized levels of Internet access as defined by the access rules assigned to that user’s profile.

**Note:** Once you define and enable user profiles, each user must sign-on each time they wish to access the Internet. The user can sign-on when the pop-up sign-on screen appears in their Web browser. The user must enter their correct user name and password in order to gain Internet access.

### Important:

- Make sure to disable pop-up blockers on your Web browser when using user profiles.
- User names and passwords are case-sensitive.

Field Name	Description
Add User	Allows you to add a new user profile. Enter the name of the user and click the <b>Add User</b> button to add the user to the list.
User Settings	Allows you to edit a user profile by using the drop-down menu to edit a user profile. The drop-down menu allows you to recall the profile to be edited. User names and passwords are case-sensitive.  Make sure to check the <b>Enable</b> box to activate the user profile. If a profile is not active, that user will not have any access to the Internet.  To remove a user profile, use the drop-down menu to select the user to be removed and click the <b>Remove User</b> button.
Password	Enter the selected user’s password in this field. Each user must enter their User Name and Password each time they use the Internet. User names and passwords are case-sensitive.  <b>Note:</b> The Gateway will allow each user access to the Internet, subject to the rules selected on this page for that user.
Re-Enter Password	Re-enter the same password for confirmation of the password in the previous field.
Trusted User	Check this box if the currently selected user is to be designated a trusted user. Trusted users are not subject to Internet access rules.
Content Rule	Select the Content Rule for the current user profile. Content Rules must first be defined by going to the Rules Configuration page. You can access the Rule Configuration page by clicking on the “Basic Rules” link under the Parental Control section of the Setup page.

## How Do I Configure the Wireless Home Gateway?

Field Name	Description
Time Access Rule	Select the Time Access Rule for the current user profile. Time Access Rules must first be defined by going to the Time of Day Filter page. You can access the Time of Day Filter page by clicking on the " <a href="#">Time of Day Rules</a> " link under the Parental Control section of the Setup page.
Session Duration	1440 minutes (factory default). Enter the amount of time in minutes that the user will be granted Internet access beginning at the time they sign on using their User Name and Password. <b>Note:</b> Set the Session Duration to 0 (zero) to prevent session timeout.
Inactivity time	60 minutes (factory default). Enter the amount of time during a user session where there is no Internet access activity, indicating that the user is no longer online. If the inactivity timer is triggered, the user session will be closed automatically. In order to regain Internet access, the user must log in again with their User Name and Password. <b>Note:</b> Set the Inactivity time value to 0 (zero) to prevent timeout due to inactivity.
Available Rules	Lists available rules. Apply a rule by selecting it from the list and adding it to the current user profile. <b>Note:</b> Create rules using the Parental Control Setup pages that follow next.
Current Used Rules	Lists rules in use for the current user profile. You can apply a maximum of four rules to each user profile.

### Function Keys

The following function keys appear on the Setup Parental Control – User Setup page.

Key	Description
Add User	Adds and saves a new user to the list of user profiles
Remove User	Removes the selected user from the list of user profiles
Apply	Saves all additions, edits, and changes

## Configuring Parental Control Basic Rules

Use the Setup Parental Control – Basic Setup page to select the rules that block certain Internet content and certain websites.

**Note:** If you are not familiar with the settings detailed in this section, contact your service provider before you attempt to change any of the wireless home gateway default parental control settings.

Click **Basic Rules** in the Parental Control section of the Setup page to access the Setup Parental Control – Basic Setup page.

## Setup Parental Control – Basic Setup Page Example

The following illustration is an example of the Setup Parental Control – Basic Setup page.

**Setup**  
**Parental Control - Basic Setup**  
This page allows basic selection of rules which block certain Internet content and certain Web sites. When you change your Parental Control settings, you must click on the appropriate "Apply", "Add" or "Remove" button for your new settings to take effect. If you refresh your browser's display, you will see the currently active settings.

---

**Parental Control Activation**  
This box must be checked to turn on Parental Control  
 Enable Parental Control

**Rule Configuration**

**Rule Settings**  
1. Default

Keyword List	Blocked Domain List	Allowed Domain List
<input type="text" value="anonymizer"/>	<input type="text" value="anonymizer.com"/>	<input type="text"/>
<input type="button" value="Add Keyword"/> <input type="button" value="Remove Keyword"/>	<input type="button" value="Add Domain"/> <input type="button" value="Remove Domain"/>	<input type="button" value="Add Allowed Domain"/> <input type="button" value="Remove Allowed Domain"/>

**Override Password**  
If you encounter a blocked website, you can override the block by entering the following password

Password	<input type="password" value="••••••"/>
Re-Enter Password	<input type="password" value="••••••"/>
Access Duration	<input type="text" value="30"/>
<input type="button" value="Apply"/>	

## Setup Parental Control – Basic Setup Page Description

This section describes the section headings and fields descriptions of the Setup Parental Control – Basic Setup page. This page allows you to create Internet access rules based on the content found in the URLs of Internet sites.

Field Name	Description
Parental Control Activation	Allows you to enable or disable parental controls. To enable parental controls, select the <b>Enable Parental Control</b> check box and click <b>Apply</b> . To disable parental controls, clear the <b>Enable Parental Control</b> check box and click <b>Apply</b> .
Rule Configuration	Allows you to add a new content rule. Enter the name of the rule and click the <b>Add Rule</b> button to add the content rule to the list. Content rules are used to restrict Internet access based on IP addresses, domains, and keywords found in the URLs of Internet sites  <b>Note:</b> It may be useful to set up your first rule as “No Rule,” without any restrictions or settings. This setting will allow you to assign “No Rule” status to users who are not subject to “content-related” access restrictions.
Rule Settings	Allows you to edit a content rule by using the drop-down menu to recall the rule to be edited  To remove a user profile, use the drop-down menu to select the rule to be removed and click on the <b>Remove Rule</b> button.
Keyword List	Allows you to create a list of keywords. Any attempt to access a URL that contains any of the keywords in this list will be blocked by the gateway
Blocked Domain List	Allows you to create a list of Domains that the gateway should block access to. Any attempt to access any of the Domains in this list will be blocked by the gateway
Allowed Domain List	Allows you to create a list of Domains to which the gateway allows access
Override Password	Allows you to create a password to temporarily override user access restrictions to a blocked Internet site
Re-enter Password	Re-enter the same password for confirmation of the override password in the previous field
Duration	Allows you to designate an amount of time in minutes that the Override password will allow temporary access to a restricted Internet site



### Function Keys

The following function keys appear on the Setup Parental Control - Basic Setup page.

Key	Description
Add Rule	Adds and saves a new Rule to the list of content Rules
Remove Rule	Removes the selected rule from the content rule list
Add/Remove Keyword	Allows you to add new keywords to the list or to delete selected keywords from the list
Add/Remove Domain	Allows you to add new domains to the list or to delete selected domains from the list
Add/Remove Allowed Domain	Allows you to add new domains to the list or to delete selected domains from the list
Apply	Saves all additions, edits, and changes

#### To use keyword and domain blocking

Keyword and Domain blocking allows you to restrict access to Internet sites by blocking access to those sites based on a word or a text string contained in the URLs used to access those Internet sites.

Domain blocking allows you to restrict access to websites based on the site's Domain Name. The Domain Name is the portion of the URL that precedes the familiar .COM, .ORG, or .GOV extension.

Keyword blocking allows you to block access to Internet sites based on a Keyword or text string being present anywhere in the URL, not just in the Domain Name.

**Note:** The Domain blocking feature blocks access to any Domain in the Domain List. It will also block Domains, any portion of which contains an exact match to entries in the list.

For example, if you enter **example.com** as a Domain, any site that contains "example.com" will be blocked. Generally, you do not want to include "www." In a Domain Name since doing so limits the blocking to only the site that matches that Domain Name exactly. For instance, if you enter **www.example.com** into the list, only the one site that matches that name exactly will be blocked. Consequently, if you do not include the "www.," then all sites within and associated with "example.com" will be blocked.

## Configuring Parental Control Time of Day Access Filters

Use the Setup Parental Control – Time of Day Access Filter page to configure Web access filters to block all Internet traffic to and from specific network devices based on day of week and time of day settings that you select.

**Note:** If you are not familiar with the settings detailed in this section, contact your service provider before you attempt to change any of the wireless home gateway default parental control settings.

Click **Time of Day Rules** in the Parental Control section of the Setup page to access the Parental Control – Time of Day Access Filter page.

## Setup Parental Control – Time of Day Access Filter Page Example

The following illustration is an example of the Setup Parental Control – Time of Day Access Filter page.

**Note:** The wireless home gateway uses the network time of day clock that is managed by your data service provider. The time of day clock must be accurate and represent the time of day in your time zone for this feature to operate properly. Verify that the Status and Set Time pages reflect the correct time of day. If they do not reflect the correct time of day, contact your data service provider. You can also adjust your settings to account for the difference.

System Signal Status Log EMTA Setup

### Setup

#### Parental Control - Time of Day Access Filter

This page allows configuration of web access filters to block all internet traffic to and from specific network devices based on time of day settings.

Add

No filters entered.  Enabled Remove

Days to Block

Everyday  Sunday  Monday  Tuesday  
 Wednesday  Thursday  Friday  Saturday

Time to Block

All day

Start:  (hour)  (min)

End:  (hour)  (min)

Apply

## Setup Parental Control – Time of Day Access Filter Page Description

This section describes the section headings and fields descriptions of the Setup Parental – Time of Day Access Filter Page. This page allows you to configure Web access filters to block all Internet traffic to and from specific network devices based on time of day and day of week settings.

Field Name	Description
Days to Block	Allows you to select the days to block Internet access
Time to Block	Allows you to select the time of day to block Internet access

### Function Keys

The following function keys appear on the Setup Parental Control – Time of Day Access Filter page.

Key	Description
Add	Allows you to add a new Time of Day access filter or rule. Enter the name of the filter and click the Add key to add the filter to the list. Time of Day rules are used to restrict Internet access based on the day and time.
Enabled	Allows you to enable filters from the Time of Day filter list
Remove	Removes the selected filter from the Time of Day filter list.
Apply	Saves all additions, edits, and changes.

## Configure Parental Control Event Reporting

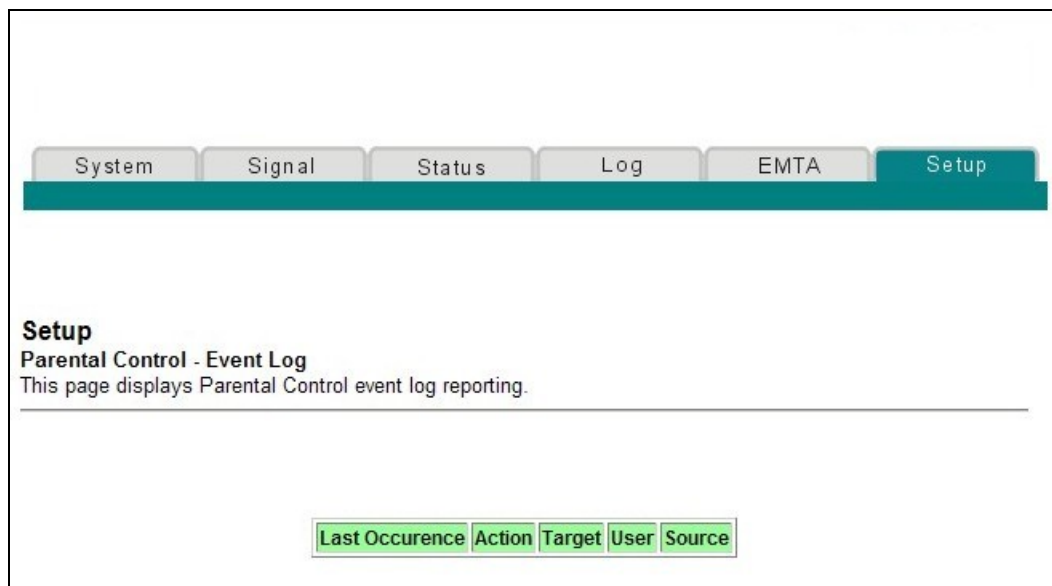
Use the Setup Parental Control – Event Log page to view events captured by the parental control event-reporting feature.

**Note:** If you are not familiar with the settings detailed in this section, contact your service provider before you attempt to change any of the wireless home gateway default parental control settings.

Click **Local Log** in the Parental Control section of the Setup page to access the Setup Parental Control – Event Log page.

## Setup Parental Control – Event Log Page Example

The following illustration is an example of the Setup Parental Control – Event Log page.



## Setup Parental Control – Event Log Page Description

This section describes the section headings and fields descriptions of the Setup Parental Control – Event Log page. This page allows you to track, by user, any attempts made by that user to access Internet sites that are restricted.

Field Name	Description
Last Occurrence	Displays the time of the most recent attempt to access a restricted Internet site
Action	Displays the automated action taken to block the intrusion
Target	Displays the URL of the restricted site
User	Displays the user who attempted a restricted site
Source	Displays the IP address of the PC which was used when attempting to access a restricted website

## Configuring Your Wireless Access Point Parameters

Use the Setup Wireless - Basic page to configure your wireless access point (WAP) parameters, included SSID and channel number.

**Note:** If you are not familiar with the advanced settings detailed in this section, contact your service provider before you attempt to change any of the wireless home gateway default wireless basic settings.

Click **Basic** in the Wireless section of the Setup page to access the Setup Wireless - Basic page.

### Setup Wireless - Basic Page Example

The following illustration is an example of the Setup Wireless - Basic page showing the factory default settings.

The screenshot shows a web interface with a navigation bar at the top containing tabs for System, Signal, Status, Log, Provisioning, Setup, and Advanced. The 'Setup' tab is selected. Below the navigation bar, the page title is 'Setup Wireless - Basic' with a subtitle: 'This page allows you to configure your wireless access point parameters, including SSID and channel number.' The configuration area contains the following settings:

Access Point	Enabled
Service Set Identifier (SSID)	2d6ee6
Basic Service Set Identifier (BSSID)	00:0E:A6:F4:4E:AD
Network Type	Open
Country	USA (US)
New Channel	Auto
Current Channel	1
Encryption Mode	TKIP

An 'Apply' button is located at the bottom center of the configuration area.

## Setup Wireless - Basic Page Description

This section describes the section headings and fields descriptions of the Setup Wireless - Basic page.

**Note:** If you make changes in the Setup Wireless - Basic page, click **Apply** to apply and save your wireless basic settings.

Field Name	Description
Access Point	Allows you to turn the access point on the gateway on or off
Service Set Identifier (SSID)	The name assigned to this access point <b>Note:</b> The factory default for the SSID field should contain the last 6 digits of the cable modem's MAC address as found on the label.
Basic Service Set Identifier (BSSID)	The MAC address of the access point
Network Type	Allows you to select <b>Open</b> or <b>Closed</b> for your network type
Country	Allows you to select the country in which you are using your access point
New Channel (1-11)	Allows you to set a communications channel for your access point <b>Note:</b> Wireless networking channels overlap. Channels 1, 6, and 11 do not overlap with each other. For best performance, select one of these channels. If there are other access points in use in the area, select one of these channels that is farthest away from the other access points. <b>Example:</b> If channel 8 is in use by another access point, use channel 1 for your wireless network. <b>Note:</b> If your wireless network is not operating correctly, or if external devices are interfering with your signal, select a different channel. Use your PC wireless utility software to scan for other access points in your area.
Current Channel	Present channel the WAP is using
Encryption Mode	Shows current encryption mode

## Configuring Your Wireless Network Security and Encryption Parameters

Use the Setup Wireless - Security page to configure your WAP wireless equivalent privacy (WEP) encryption keys and authentication and to add other wireless devices to your network.

**Note:** If you are not familiar with the advanced settings detailed in this section, contact your service provider before you attempt to change any of the wireless home gateway default wireless security settings.

Click **Security** in the Wireless section of the Setup page to access the Setup Wireless - Security page.

**Important:** Your wireless home gateway ships from the factory with WPA-TKIP security enabled to provide you with a *basic* level of wireless network security. To gain initial access to your wireless network, select WPA security on your computer's wireless adapter and enter the WPA key to match the key setup in your gateway.

**The factory default WPA key in the gateway is the serial number of the device.** You can continue to use this factory default key. However, to maximize your wireless security, it is highly recommended that you use something other than the factory default key.

### Using WiFi Protected Setup (WPS)

WiFi Protected Setup (WPS) allows you to easily attach wireless devices that also support WPS. When WPS is enabled and activated, you can attach other wireless clients with the press of a button or by entering the station PIN.

After enabling WPS, you can activate the automatic registration by clicking the **Start WPS** button in the WiFi Protected Setup (WPS) section of the Setup Wireless - Security page.

The push button mode of client registration can be enabled directly by clicking on the "soft" button on the setup webpage.



## Setup Wireless – Security Page Example

The following illustration is an example of the Setup Wireless – Security page.

System Signal Status Log Provisioning **Setup** Advanced

**Setup**  
**Wireless - Security**  
This page allows you to configure your wireless privacy settings.

WPA	Disabled	WiFi Protected Setup (WPS)	
WPA-PSK	Enabled	WPS Config	Enable
WPA2	Disabled	Device Name	
WPA2-PSK	Disabled	STA PIN	1234
		Apply	
WPA/WPA2 Encryption	TKIP	WPS Method	Push Button Start WPS
WPA Pre-Shared Key	*****	WPS Status:	
RADIUS Server	0.1.0.1		
RADIUS Port	0		
RADIUS Key			
Group Key Rotation Interval	0		
WPA/WPA2 Re-auth Interval	0		
WEP Encryption	Disabled		
Shared Key Authentication	Optional		
802.1x Authentication	Disabled		
Network Key 1			
Network Key 2			
Network Key 3			
Network Key 4			
Current Network Key	4		
PassPhrase	*****		
	Generate WEP Keys		
	Apply		

## Setup Wireless – Security Page Description

This section describes the section headings and fields descriptions of the Setup Wireless – Security page.

**Note:** If you make changes in the Setup Wireless – Security page, click Apply to apply and save your wireless security settings.

Field Name	Description
Network Authentication	<p>Network Authentication allows only authorized users to gain access to your wireless network. Only users with an authorized user name, password, or pre-shared key are allowed access to the wireless network.</p> <p>Select from the following Network Authentication protocols:</p> <ul style="list-style-type: none"> <li>■ WPA</li> <li>■ WPA-PSK</li> <li>■ WPA2</li> <li>■ WPA2-PSK</li> </ul> <p><b>Note:</b> Network Authentication restricts access to your wireless network to only authorized computers or users. Authentication does not protect the data you send over the wireless network connection. You must enable encryption to protect data that is transmitted over your wireless network.</p>
WPA/WPA2 Encryption	<p>Allows you to select a WPA/WPA2 security method. The factory default security is WPA-PSK.</p>
WPA Pre-Shared Key	<p>Allows you to set a WPA Pre-Shared key. Enter a text string in this field. The text string or phrase is used to generate a unique set of encryption keys for your network. Use this string to set up wireless devices in your network.</p> <p>The factory default security key is the 9-digit serial number of the gateway. For example: <b>201677962</b>. See <i>How Do I Set Up My High-Speed Internet Access Account?</i> (on page 22) for the location of the serial number on the label.</p> <ul style="list-style-type: none"> <li>■ The PSK can be either a text string or a 64 character hexadecimal number.</li> <li>■ The text string must be an ASCII character string with a minimum of 8 characters but no more than 63.</li> </ul> <p><b>Note:</b> Not all wireless adapter devices support PSK. For these devices, you must enter the encryption keys exactly as they appear in the in wireless gateway fields in the preceding illustration of the Setup Wireless Security page.</p>

## How Do I Configure the Wireless Home Gateway?

Field Name	Description
RADIUS Server	<p>Allows you to enter the IP address of the RADIUS server used for authentication and encryption key derivation.</p> <ul style="list-style-type: none"> <li>■ This field is used with 802.1x and WPA Network Authentication.</li> <li>■ The factory default for this field is 0.0.0.0.</li> </ul>
RADIUS Port	<p>Determines the port number of the RADIUS server. The port number is usually 1812 (factory default) or 1645, depending on the server used.</p> <p>This field is used with 802.1x and WPA Network Authentication.</p>
RADIUS Key	<p>Allows you to set the Shared Secret key for your RADIUS connection.</p> <ul style="list-style-type: none"> <li>■ The factory default for this field is empty.</li> <li>■ This field is used with 802.1x and WPA Network Authentication.</li> </ul>
Group Key Rotation Interval	<p>Allows you to set the WPA Group Key Rotation Interval in seconds. This only applies when WPA or WPA2 Network Authentication is enabled.</p> <p>Set this value to 0 (factory default) to disable periodic re-keying. The valid range is 1 to 4,294,967,295 seconds.</p>
WPA/WPA2 Re-auth Interval	<p>Allows you to set the WPA/WPA2 Re-authorization Interval in seconds. This only applies when WPA/WPA2 Network Authentication is enabled.</p> <p>Set this value to 0 (factory default) to disable periodic re-keying. The valid range is 1 to 4,294,967,295 seconds.</p>

Field Name	Description
WEP Encryption	<p>Allows you to enable data encryption to help secure the data that is sent over your wireless network.</p> <ul style="list-style-type: none"> <li>■ WEP 128-bit (factory default) <ul style="list-style-type: none"> <li>– 128-bit or-64 bit static key data encryption can be selected when the network is configured to have no authentication.</li> <li>– 128-bit static key data encryption is automatically selected when 802.1x network authentication is enabled.</li> </ul> </li> </ul> <p><b>Note:</b> Static key authentication uses one of the four encryption keys, as defined below, to encrypt your data. You must manually change keys. The keys do not change or rotate automatically as they do with TKIP.</p> <ul style="list-style-type: none"> <li>■ TKIP (Temporal Key Integrity Protocol) data encryption is automatically enabled when WPA and WPA-PSK network authentication is enabled. (factory default)</li> </ul> <p><b>Notes:</b></p> <ul style="list-style-type: none"> <li>■ 64-bit and 40-bit encryption are two different names for the same encryption</li> <li>■ 128-bit and 104-bit encryption are two different names for the same encryption</li> </ul>
Shared Key Authentication	<p>Allows you to determine if Shared Key Authentication is used in the network. Shared Key Authentication can be used when there is no other network authentication in the network.</p> <ul style="list-style-type: none"> <li>■ Optional - (factory default) Wireless clients can associate with the wireless access point without authentication.</li> <li>■ Required - Only wireless clients with a valid network key are allowed to associate with the access point.</li> </ul>
802.1x Authentication	<p>Allows you to use 802.1x authentication with WEP encryption (similar to when WPA or WPA2 is enabled)</p>

## How Do I Configure the Wireless Home Gateway?

Field Name	Description
<p>Network Keys 1 through 4 64 bit keys</p>	<p>Select these keys for use with Encryption Mode set to 64-bit encryption. Enter 5-byte values for a Key. You do not have to set all four Keys. Only one Key is used for a home network. Each value is represented in hexadecimal. Use only these numbers or letters: 0, 1, 2, 3, 4, 5, 6, 7, 8, 9, a, b, c, d, e, and f to set up your encryption keys.</p> <p><b>Note:</b> It is generally a good practice to use only lowercase letters when entering WEP encryption keys. Uppercase letters can sometimes be confused with numbers. For example, the uppercase letter “B” is often mistaken for the number “8.” Using lowercase characters minimizes the risk of confusing characters when copying keys from one device to another. Uppercase characters will automatically be converted to lowercase when the key or keys are applied and saved to memory.</p> <p>Use two numbers or letters in each box. Record your Key values. You will need these Key values when you set up your client wireless adapter. The Key values in each wireless network device must match.</p>
<p><b>or</b></p> <p>Network Keys 1 through 4 128 bit keys</p>	<p>Select these keys for use with Encryption Mode set to 128-bit encryption. Enter 13-byte values for a Key. You do not have to set all four Keys. Usually only one is needed for a home network. Each value is represented in hexadecimal. Use only these numbers or letters: 0, 1, 2, 3, 4, 5, 6, 7, 8, 9, a, b, c, d, e, and f to set up your encryption keys.</p> <p>It is generally a good practice to use only lowercase letters when entering WEP encryption keys. Uppercase letters can sometimes be confused with numbers. For example, the uppercase letter “B” is often mistaken for the number “8.” Using lowercase characters minimizes the risk of confusing characters when copying keys from one device to another. Uppercase characters will automatically be converted to lowercase when the key or keys are applied and saved to memory.</p> <p>Use two numbers or letters in each box. Record your Key values. You will need these Key values when you set up your client wireless adapter. The Key values in each wireless network device <i>must</i> match.</p>

Field Name	Description
Current Network Key	<p>Allows you to select which of the four 64-bit or 128-bit keys to use to encrypt your data when you are using encryption that requires the manual entry of an encryption key. Only one WEP key is in use at a time. You must manually change keys. They do not change automatically.</p> <p><b>Notes:</b></p> <ul style="list-style-type: none"> <li>■ 64-bit and 40-bit encryption are two different names for the same encryption</li> <li>■ 128-bit and 104-bit encryption are two different names for the same encryption</li> </ul>
PassPhrase	<p>Automatically generates WEP encryption keys required to communicate with the network.</p> <p>Although not required for WEP operation, use of a PassPhrase can simplify the configuration and setup of each of your client wireless adapters.</p> <p>Using a PassPhrase eliminates the need to manually enter lengthy encryption keys and reduces the chance of error associated with entering entry of large numbers.</p> <p><b>Important:</b> Click <b>Generate WEP Keys</b> when complete.</p>

#### WiFi Protected Setup (WPS) Section

The selections available in this section allow you to configure WPS.

Field Name	Description
WPS Config	Allows you to enable or disable WPS
Device Name	Allows you to enter your device name
STA PIN	The personal identification number (PIN) of a device trying to connect
Apply	Saves all additions, edits, and changes
WPS Method	Allows you to select your WPS method (Push Button or PIN)
WPS Status	Displays WPS status

### Function Keys

The following function keys appear on the Setup Wireless - Security page.

Keys	Description
Generate WEP Keys	Automatically generates four WEP keys based on the PassPhrase entry. <b>Notes:</b> <ul style="list-style-type: none"><li>■ For 64-bit WEP, four unique 64-bit WEP keys will be generated</li><li>■ For 128-bit WEP, only one 128-bit WEP key will be generated. The same key will be entered into all four key locations.</li></ul>
Apply	Saves all additions, edits, and changes
Start WPS	Starts WPS after you select your WPS Method. Also allows you to Stop WPS.

### Configuring Wireless Data Rates and WiFi Thresholds

Use the Setup Wireless - Advanced page to configure your WAP data rates and wireless fidelity (WiFi) thresholds.

**Note:** If you are not familiar with the advanced settings detailed in this section, contact your service provider before you attempt to change any of the wireless home gateway default wireless advanced settings.

Click **Advanced** in the Wireless section of the Setup page to access the Setup Wireless - Advanced page.

## Setup Wireless - Advanced Page Example

The following illustration is an example of the Setup Wireless - Advanced page.

**Note:** We recommend that you do not change the default wireless settings that are shown in the preceding illustration unless you are instructed to do so by your service provider.

System	Signal	Status	Log	Provisioning	Setup	Advanced
<b>Setup</b>						
<b>Wireless - Advanced</b>						
This page allows you to configure your wireless access point advanced parameters.						
54g™ Network Mode	54g LRS					
Basic Rate Set	Default					
54g™ Protection	Auto					
XPress™ Technology	Disabled					
Afterburner™ Technology	Disabled					
Rate	Auto					
Output Power	100%					
Beacon Interval	100 ms (1-65535)					
DTIM Interval	1 ms (1-255)					
Fragmentation Threshold	2346 bytes (256-2346)					
RTS Threshold	2347 (0-2347)					
Short Retry Limit	7 (1-255)					
Long Retry Limit	4 (1-255)					
<input type="button" value="Apply"/>						



## Setup Wireless - Advanced Page Description

This section describes the section headings and fields descriptions of the Setup Wireless - Advanced page.

**Note:** If you make changes in the Setup Wireless - Advanced page, click Apply to apply and save your wireless advanced settings.

Field Name	Description
54g™ Network Mode	<p>Allows you to optimize the performance of your wireless network using one of the following options:</p> <ul style="list-style-type: none"> <li>■ 54g Auto (factory default) Use this setting for wireless networks to provide the widest range of compatibility with 802.11g and 802.11b client devices.</li> <li>■ 54g Only Use this setting for optimal performance for networks comprised of only 54g client devices.</li> <li>■ 54g Performance Use this setting to enable enhanced throughput performance in 54g networks that are comprised only of client devices with 54g technology.</li> <li>■ 54g LRS Use this setting to enable “Limited Rate Support” for maximum compatibility in wireless networks comprised of both 802.11g and older 802.11b client devices that may not be fully compatible with 802.11g standards.</li> <li>■ 802.11b Only Use this setting in wireless networks comprised only of 802.11b client devices.</li> </ul>
Basic Rate Set	Allows you to select the Basic Rate Set (Default or All)
54g Protection	<p>Allows you to operate 802.11b client devices in 802.11g networks.</p> <ul style="list-style-type: none"> <li>■ Auto (factory default) Allows 802.11b client devices to operate in the 802.11g wireless network. Protection will impact the performance of 802.11g client devices. If your network has all 802.11g client devices, then protection can be turned off to improve overall performance.</li> <li>■ Off Maximum performance for 802.11g networks with only 802.11g wireless client devices.</li> </ul>
Xpress Technology	<p>Allows you to enable or disable Xpress Technology</p> <p><b>Note:</b> Make sure that your wireless devices support this feature before enabling it on your gateway.</p>

Field Name	Description
Afterburner Technology	Allows you to enable or disable Afterburner Technology <b>Note:</b> Make sure that your wireless devices support this feature before enabling it on your gateway.
Rate	Allows you to fix the data rate for wireless connections. The following data rates are available:  Auto (factory default), 1 Mbps, 2 Mbps, 5.5 Mbps, 6 Mbps, 9 Mbps, 11 Mbps, 12 Mbps, 18 Mbps, 24 Mbps, 36 Mbps, 48 Mbps, 54 Mbps <b>Note:</b> In the automatic mode, data rate is a function of signal strength and signal quality.
Output Power	Allows you to adjust the relative output power of your gateway wireless transmitter. The following settings are available:  100% (factory default), 75%, 50%, and 25%
Beacon Interval	Displays the time interval that the WAP uses to announce itself to remote devices. The Beacon Interval should be left at 100ms for compliance with most client cards. The Beacon Interval specifies how often packets are sent by the Access Point (AP) to synchronize a wireless network and its clients
DTIM Interval	Displays the time interval between Broadcast/Multicast transmissions. The DTIM (Delivery Traffic Indication Message) Interval is a countdown informing the wireless clients of the next window for listening to broadcast and multicast messages. When the AP has buffered broadcast or multicast messages for associated clients, it sends the next DTIM with a DTIM Interval value. AP clients hear the beacons and awaken to receive the broadcast and multicast messages. The DTIM Interval should be left at 3 ms for compliance with most client cards
Fragmentation Threshold	Allows you to set the fragmentation threshold. This threshold should be set equivalent to the maximum Ethernet frame size allowable on the link including overhead (1536 bytes). Lesser settings can damage data throughput as large frames could be fragmented or collisions could occur. The factory default is 2346
RTS Threshold	Determines at what packet size beyond which the ready to send/clear to send (RTS/CTS) mechanism is invoked. The factory default is 2347
Short Retry Limit	The number of times the gateway transmits an unacknowledged unicast frame that is shorter than the RTS threshold before discarding the frame. The factory default is 7
Long Retry Limit	The number of times the gateway transmits an unacknowledged unicast frame that is longer than the RTS threshold before discarding the frame. The factory default is 4

## Configuring Wireless Access Point Access Control

Use the Setup Wireless - Access Control page to configure your wireless access point access control.

**Note:** If you are not familiar with the advanced settings detailed in this section, contact your service provider before you attempt to change any of the wireless home gateway default wireless advanced settings.

Click **Access Control** in the Wireless section of the Setup page to access the Setup Wireless - Access Control page.

## Setup Wireless Access Control Page Example

The following illustration is an example of the Setup Wireless - Access Control page.

System Signal Status Log EMTA Setup

### Wireless - Access Control

This page allows you to configure your wireless access point access control.

Access restriction: Disabled

Closed Network: Off

Access List

Access List Is Empty

Remove Clear All

0 : 0 : 0 : 0 : 0 : 0 Add

Apply

Connected Clients

Host Name	IP Address	Client ID
No wireless clients are connected.		

## Setup Wireless - Access Control Page Description

This section describes the section headings and field descriptions of the Setup Wireless - Access Control page.

Field Name	Description
Access restriction	<p>When encryption is enabled, this selection allows you to choose one of the following options from the drop-down list:</p> <ul style="list-style-type: none"> <li>■ Disable (factory default)–No access restrictions based on MAC address of wireless access devices</li> <li>■ Allow–Allows wireless access to only the MAC addresses listed in the Access List</li> <li>■ Deny–Denies wireless access to only the MAC address listed in the Access List</li> </ul>
Closed Network	Allows you to disable or enable the network to access by wireless clients. When <b>ON</b> is selected, the access point does not broadcast the SSID. The client device must be configured manually with the SSID and the MAC address of the access point in order to access with wireless network.
Access List	Displays the MAC address of the clients that are subject to wireless access control
Connected Clients	Displays the Host Name, IP Address, and Client ID of wireless clients that are connected to (associated with) the gateway modem

### Function Keys

The following function keys appear on the Setup Wireless – Access Control page.

Key	Description
Apply	Applies and saves the values you enter into the fields without closing the screen
Clear All	Clears the Access List
Remove	Removes entries from the Access List
Add	Adds a client to the Access List using the MAC address of the client

## Configuring Remote Bridges

Use the Setup Wireless - Bridging page to configure your configure remote bridges..

**Note:** If you are not familiar with the advanced settings detailed in this section, contact your service provider before you attempt to change any of the wireless home gateway default wireless advanced settings.

Click **Bridging** in the Wireless section of the Setup page to access the Setup Wireless - Bridging page.

## Setup Wireless Bridging Page Example

The following is an example of the Setup Wireless - Bridging page.

System Signal Status Log Provisioning Setup Advanced

**Setup**  
**Wireless - Bridging**  
This page allows configuration of WDS features.

Wireless Bridging Disabled ▾

Remote Bridges

Apply

## Setup Wireless - Bridging Page Description

The Setup Wireless - Bridging page allows you to enable or disable wireless bridging and, if you have multiple wireless access points, to configure a Wireless Distribution System (WDS) for your home network. Click **Apply** to apply and save your new settings.

## Telephone Service Frequently Asked Questions

This section provides answers to frequently asked questions regarding wireless home gateway telephone service. For issues regarding wireless home gateway Internet service, see *How Do I Troubleshoot My Internet Service Installation?* (on page 37)

### Frequently Asked Questions

**Q. What if I don't subscribe to telephone service from my cable operator, can I still use the wireless home gateway to make and receive phone calls?**

A. No. Telephone service is enabled for each telephone port on the wireless home gateway by the cable telephony service provider. Contact your cable telephony service provider to get telephone service through the wireless home gateway.

**Q. How do I arrange for installation?**

A. Professional installation from your cable telephony service provider may be provided. A professional installer can connect the telephone service to your existing telephone wiring in your home or install new wiring if needed. Professional installation also ensures proper cable connection to the modem and to your PC, and ensures proper configuration of all hardware and software settings. Contact your cable telephony service provider for more information about installation.

**Q. Can I use my existing phone number with the wireless home gateway?**

A. Telephone numbers are portable in some areas. Contact your telephone service provider for more information about using an existing telephone number.

**Q. Do I automatically receive high-speed Internet service with the wireless home gateway?**

A. Your wireless home gateway may be used to provide telephone service, high-speed Internet service, or both services. Your cable service provider enables Internet service. Contact your cable service provider for more information if you are not currently subscribing to Internet service.

**Q. How many telephones can I connect?**

A. The RJ-11 telephone-style connectors on the wireless home gateway can each provide telephone service to multiple telephones, fax machines, and analog modems. The maximum number of telephone devices connected to each RJ-11 port is limited by the total Ringing Load of the telephone devices that are connected. Many telephone devices are marked with a Ringer Equivalent Number (REN). Each telephone port on the wireless home gateway can support up to a 5 REN load. The sum of the REN load on all of the telephone devices attached to each port must not exceed 5 REN.

## Telephone Service Frequently Asked Questions

**Q. Can I surf the Internet and make telephone calls at the same time?**

A. Absolutely. Telephone service is provided separately from Internet data services. Internet surfing and other data services do not affect the quality of your telephone calls. If these services are enabled by your cable service provider, you can make telephone calls and surf the net at the same time.

# Access Basic Gateway Information

## About Your Modem Page Example

Click the **System** tab to access basic information about your gateway. The following illustration is an example of the About Your Modem page. The following example may vary from the actual product.

**Note:** The About Your Modem page is accessible only when the modem is offline. This page is used to provide helpful information during the installation process or when troubleshooting network-related problems. Once the modem is online, the About Your Modem page is hidden from view.

**System**    Signal    Status    Log    Provisioning    Setup    Advanced

**About Your Modem**  
This page provides the basic information about your cable modem.

**System**  
The data shown in the table below provides information about the system of your cable modem.

Name	SA DPC2434
Modem Serial Number	208812567
Cable Modem MAC Address	00:18:68:2d:6e:e6
Hardware Version	1.0
Receive Power Level	-24.3 dBmV
Transmit Power Level	8.3 dBmV
Cable Modem Status	Not Synchronized
Vendor	Scientific Atlanta - A Cisco Company
Boot Revision	2.1.6IR8

**Software File Name and Revisions**  
The data shown in the table below provides information about the firmware of your cable modem.

Firmware Name	dpc2434-P10-5-v202r1262-080507 as.bin
Software Revision	dpc2434-P10-5-v202r1262-080507 as

Scientific Atlanta is a registered trademark of Scientific Atlanta - A Cisco Company.  
Cisco, Cisco Systems, and the Cisco Systems logo are registered trademarks of Cisco Systems, Inc. and/or its affiliates in the U.S. and certain other countries.  
2008 Scientific Atlanta - A Cisco Company. All rights reserved. 2008 Broadcom, Inc. All rights reserved.



## About Your Modem Page Description

The following table provides a description of each field within the About Your Modem page.

Field Name	Description
Name	The name of the wireless home gateway
Modem Serial Number	A unique sequential series of alphanumeric characters provided to every modem during manufacturing
Cable Modem MAC Address	A unique alphanumeric address for the cable modem coaxial interface, which is used to connect to the cable modem termination system (CMTS) at the headend. A media access control (MAC) address is a hardware address that uniquely identifies each node of a network
Hardware Version	Identifies the revision of the circuit board design
Receive Power Level	The input level of the downstream CMTS carrier
Transmit Power Level	Indicates the upstream power level
Cable Modem Status	Lists one of the following possible current states of the modem: <ul style="list-style-type: none"> <li>■ other</li> <li>■ notReady</li> <li>■ notSynchronized</li> <li>■ phySynchronized</li> <li>■ usParametersAcquired</li> <li>■ rangingComplete</li> <li>■ ipComplete</li> <li>■ todEstablished</li> <li>■ securityEstablished</li> <li>■ psrsmTransferComplete</li> <li>■ registrationComplete</li> <li>■ operational</li> <li>■ accessDenied</li> </ul>
Vendor	The name of the manufacturer
Boot Revision	Identifies the boot revision code version

## Software File Name and Revisions Section

<b>Field Name</b>	<b>Description</b>
Firmware Name	Identifies the name of the firmware
Software Revision	Identifies the revision version of the firmware

## Having Difficulty?

### Common Troubleshooting Suggestions

The modem does not register a cable connection

The modem works with a standard, 75-ohm, RF coaxial cable. If you are using a different cable, your wireless home gateway will not function properly. Contact your service provider to determine whether you are using the correct cable.

There is no dial tone when I lift the telephone handset

- Your telephone wiring may be connected to the wrong RJ-11 port on the wireless home gateway. The wireless home gateway has two telephone ports. Verify that you are connected to the correct telephone port.
- There may be a problem with your telephone set. Use a different telephone set and listen to hear dial tone.
- There may be a problem with your home telephone wiring. Use a telephone and connect directly to the same RJ-11 port on the back of the unit. If the dial tone is working here but does not work at other locations in the home, a professional may need to diagnose and repair a problem with your telephone wiring.
- Verify that the phone company has removed the previous telephone service from your home telephone wiring.
- Your telephone service may not be enabled from your cable telephony service provider. Contact your cable telephony service provider for more information.

### Frequently Asked Questions

Q. What if I don't subscribe to cable TV?

A. If cable TV is available in your area, data service may be made available with or without subscribing to cable TV service. Contact your local service provider for complete information on cable services, including high-speed Internet access.

Q. How do I arrange for installation?

A. Call your cable telephony service provider to inquire about professional installation. A professional installation ensures proper cable connection to the modem and to your PC, and it ensures the proper configuration of all hardware and software settings. Contact your cable telephony service provider for more information about installation.

Q. How does the wireless home gateway connect to my computer?

A. The wireless home gateway connects to the USB port or the 10/100BASE-T Ethernet port on your PC. If your PC is not equipped with an Ethernet interface, an Ethernet card is available from your local PC or office supply retailer, or from your service provider.

Q. After my wireless home gateway is connected, how do I access the Internet?

A. Your local service provider becomes your Internet Service Provider (ISP). They offer a wide range of services including email, chat, news, and information services. Your service provider will provide the software you will need.

Q. Can I watch TV and surf the Internet at the same time?

A. Absolutely. If you subscribe to cable television service, you can watch TV and use your wireless home gateway at the same time by connecting your TV and your wireless home gateway to the cable network using an optional cable signal splitter.

Q. Can I run more than one device on the modem?

A. Yes. A single wireless home gateway will theoretically support up to 253 Ethernet devices utilizing user-supplied Ethernet hubs or routers that you can purchase at your local PC or office supply retailer. Another user at your location can simultaneously connect to the USB port on the wireless home gateway. Contact your service provider for further assistance.

## Common Troubleshooting Issues

I don't understand the front panel status indicators

See *Front Panel LED Status Indicator Functions* (on page 140), for more detailed information on front panel LED status indicator operation and function.

The modem does not register an Ethernet connection

- Verify that your computer has an Ethernet card and that the Ethernet driver software is properly installed. If you purchase and install an Ethernet card, follow the installation instructions very carefully.
- Verify the status of the front panel LED status indicators.

The modem does not register an Ethernet connection after connecting to a hub

If you are connecting multiple PCs to the wireless home gateway, you should first connect the modem to the uplink port of the hub using the correct crossover cable. The LINK LED of the hub will illuminate continuously.

## Having Difficulty?

### The modem does not register a cable connection

- The modem works with a standard 75-ohm RF coaxial cable. If you are using a different cable, your wireless home gateway will not function properly. Contact your service provider to determine whether you are using the correct cable.
- Verify that you have followed the procedures in *How Do I Troubleshoot My Internet Service Installation?* (on page 37).
- Your NIC card or USB interface may be malfunctioning. Refer to the troubleshooting information in the NIC or USB documentation provided with the device.

## Tips for Improved Performance

### Check and Correct

If your wireless home gateway does not perform as expected, the following tips may help. If you need further assistance, contact your service provider.

- Verify that the plug to your wireless home gateway AC power is properly inserted into an electrical outlet.
- Verify that your wireless home gateway AC power cord is not plugged into an electrical outlet that is controlled by a wall switch. If a wall switch controls the electrical outlet, make sure the switch is in the **ON** position.
- Verify that the **POWER** and **ONLINE** LED status indicators on the front panel of your wireless home gateway are illuminated.
- Verify that your cable service is active and that it supports two-way service.
- Verify that all cables are properly connected, and that you are using the correct cables.
- Verify that your TCP/IP is properly installed and configured if you are using the Ethernet connection.
- Verify that you have followed the procedures in *How Do I Install USB Drivers?* (on page 28), if you are using the USB connection.
- Verify that you have called your service provider and given them the serial number and MAC address of your wireless home gateway.
- If you are using a cable signal splitter so that you can connect the wireless home gateway to other devices, remove the splitter and reconnect the cables so that the wireless home gateway is connected directly to the cable input. If the wireless home gateway now functions properly, the cable signal splitter may be defective and may need to be replaced.
- For best performance over an Ethernet connection, your PC should be equipped with a 10/100BASE-T network interface card.

## Front Panel LED Status Indicator Functions

### Initial Power Up, Calibration, and Registration (AC Power applied)

The following chart illustrates the sequence of steps and the corresponding appearance of the wireless home gateway front panel LED status indicators during power up, calibration, and registration on the network when AC power is applied to the wireless home gateway. Use this chart to troubleshoot the power up, calibration, and registration process of your wireless home gateway.

**Note:** After the wireless home gateway completes Step 11 (Telephone Registration Complete), the gateway proceeds immediately to Normal Operations. See *Normal Operations (AC Power applied)* (on page 141).

Front Panel LED Status Indicators During Initial Power Up, Calibration, and Registration												
	Part 1, High Speed Data Registration						Part 2, Telephone Registration					
Step →	1	2	3	4	5	6	7	8	9	10	11	
Front Panel Indicator	Self Test	Downstream Scan	Downstream Signal Lock	Ranging	Requesting IP Address	Request High Speed Data Provisioning File	Data Network Registration Complete	Requesting Telephone IP Address	Request Telephone Provisioning File	Restarting Voice Service	Telephone Registration Complete	
1 POWER	On	On	On	On	On	On	On	On	On	On	On	
2 DS	On	Blinking	On	On	On	On	On	On	On	On	On	
3 US	On	Off	Off	Blinking	On	On	On	On	On	On	On	
4 ONLINE	On	Off	Off	Off	Off	Blinking	On	On	On	On	On	
5 LAN1-LAN4/USB	On	On or Blinking	On or Blinking	On or Blinking	On or Blinking	On or Blinking	On or Blinking	On or Blinking	On or Blinking	On or Blinking	On or Blinking	
6 WIRELESS	Off	On or Blinking	On or Blinking	On or Blinking	On or Blinking	On or Blinking	On or Blinking	On or Blinking	On or Blinking	On or Blinking	On or Blinking	
7 TEL 1	On	Off	Off	Off	Off	Off	Off	Blinking	Off	Blinking	On	
8 TEL 2	On	Off	Off	Off	Off	Off	Off	Off	Blinking	Blinking	On	
9 BATTERY	<ul style="list-style-type: none"> <li>• On when the battery is installed and fully charged</li> <li>• Blinks when the battery is installed but the charge is low</li> <li>• Off when there is no battery in the unit or the battery is not charged</li> </ul>											

T13645

## Normal Operations (AC Power applied)

The following chart illustrates the appearance of the wireless home gateway front panel LED status indicators during normal operations when AC power is applied to the gateway.

Front Panel LED Status Indicators During Normal Conditions		
Front Panel Indicator	Normal Operations	
1	<b>POWER</b>	On
2	<b>DS</b>	Blinks - To indicate data is being transferred between the modem and the network
3	<b>US</b>	Blinks - To indicate data is being transferred between the modem and the network
4	<b>ONLINE</b>	On
5	<b>LAN1-LAN4/USB</b>	<p>On - When a single device is connected to either the Ethernet or USB port and not data is being sent to or from the modem</p> <p>Blinks - When only one Ethernet or USB device is connected and data is being transferred between the consumer premise equipment (CPE) and the wireless home gateway</p> <p>Off - When no devices are connected to either the Ethernet or USB ports</p> <p><b>Note:</b> With both Ethernet and USB devices connected to the modem at the same time, when data is being transferred through only one of the devices (Ethernet or USB), the indicator will illuminate continuously. Whenever data is being sent through both data ports (Ethernet and USB) simultaneously, the indicator will blink as described above.</p>
6	<b>WIRELESS</b>	<ul style="list-style-type: none"> <li>• On when the wireless access point is enabled and operational</li> <li>• Blinks when data is being transferred between the CPE and the wireless home gateway</li> <li>• Off when the wireless access point is disabled by the user</li> </ul>
7	<b>TEL 1</b>	<ul style="list-style-type: none"> <li>• On when telephony service is enabled</li> <li>• Blinks when line 1 is in use</li> </ul>
8	<b>TEL 2</b>	<ul style="list-style-type: none"> <li>• On when telephony service is enabled</li> <li>• Blinks when line 2 is in use</li> </ul>
9	<b>BATTERY</b>	<ul style="list-style-type: none"> <li>• On when the battery is installed and fully charged</li> <li>• Blinks when the battery is installed but the charge is low</li> <li>• Off when there is no battery in the unit or the battery is not charged</li> </ul>

T13650



## Special Conditions

The following chart describes the appearance of the cable modem front panel LED status indicators during special conditions to show when you have been denied network access or when the modem is operating on battery power.

<b>Front Panel LED Status Indicators During Special Conditions</b>			
	<b>Front Panel Indicator</b>	<b>Network Access Denied</b>	<b>Operating on Battery Power</b>
1	<b>POWER</b>	Slow Blinking 1 time per second	Slow Blinking 1 time per second
2	<b>DS</b>	Slow Blinking 1 time per second	Off
3	<b>US</b>	Slow Blinking 1 time per second	Off
4	<b>ONLINE</b>	Slow Blinking 1 time per second	Slow Blinking 1 time per second
5	<b>LAN1- LAN4</b>	Slow Blinking 1 time per second	Off
6	<b>WIRELESS</b>	On	Off
7	<b>TEL 1</b>	Off	Off
8	<b>TEL 2</b>	Off	Off
9	<b>BATTERY</b>	On	Off

T13651

# Notices

## Trademarks

Cisco, Cisco Systems, the Cisco logo, the Cisco Systems logo, Scientific Atlanta, and SciCare are registered trademarks or trademarks of Cisco Systems, Inc. and/or its affiliates in the U.S. and certain other countries.

DOCSIS is a registered trademark of Cable Television Laboratories, Inc.

PacketCable is a trademark of Cable Television Laboratories, Inc.

*All other trademarks mentioned in this document are the property of their respective owners.*

## Disclaimer

Cisco Systems, Inc. assumes no responsibility for errors or omissions that may appear in this guide. We reserve the right to change this guide at any time without notice.

## Documentation Copyright Notice

Information in this document is subject to change without notice. No part of this document may be reproduced in any form without the express written permission of Cisco Systems, Inc.

## Software and Firmware Use

The software described in this document is protected by copyright law and furnished to you under a license agreement. You may only use or copy this software in accordance with the terms of your license agreement.

The firmware in this equipment is protected by copyright law. You may only use the firmware in the equipment in which it is provided. Any reproduction or distribution of this firmware, or any portion of it, without our express written consent is prohibited.

## FCC Radiation Exposure Statement

This equipment complies with FCC radiation exposure limits set forth for an uncontrolled environment. To maintain compliance with the FCC RF exposure guidelines, this equipment should be installed and operated with minimum distance of at least 7.8 in. (20cm) from all persons.

For Information

## For Information

### If You Have Questions

If you have technical questions, contact your local cable service provider.



Scientific Atlanta, A Cisco Company  
5030 Sugarloaf Parkway, Box 465447  
Lawrenceville, GA 30042

678.277.1000  
[www.scientificatlanta.com](http://www.scientificatlanta.com)

This document includes various trademarks of Cisco Systems, Inc. Please see the Notices section of this document for a list of the Cisco Systems, Inc., trademarks used in this document.

Product and service availability are subject to change without notice.

© 2006, 2008 Cisco Systems, Inc. All rights reserved.

October 2008 Printed in United States of America

Part Number 4011350 Rev C

## Free Manuals Download Website

<http://myh66.com>

<http://usermanuals.us>

<http://www.somanuals.com>

<http://www.4manuals.cc>

<http://www.manual-lib.com>

<http://www.404manual.com>

<http://www.luxmanual.com>

<http://aubethermostatmanual.com>

Golf course search by state

<http://golfingnear.com>

Email search by domain

<http://emailbydomain.com>

Auto manuals search

<http://auto.somanuals.com>

TV manuals search

<http://tv.somanuals.com>