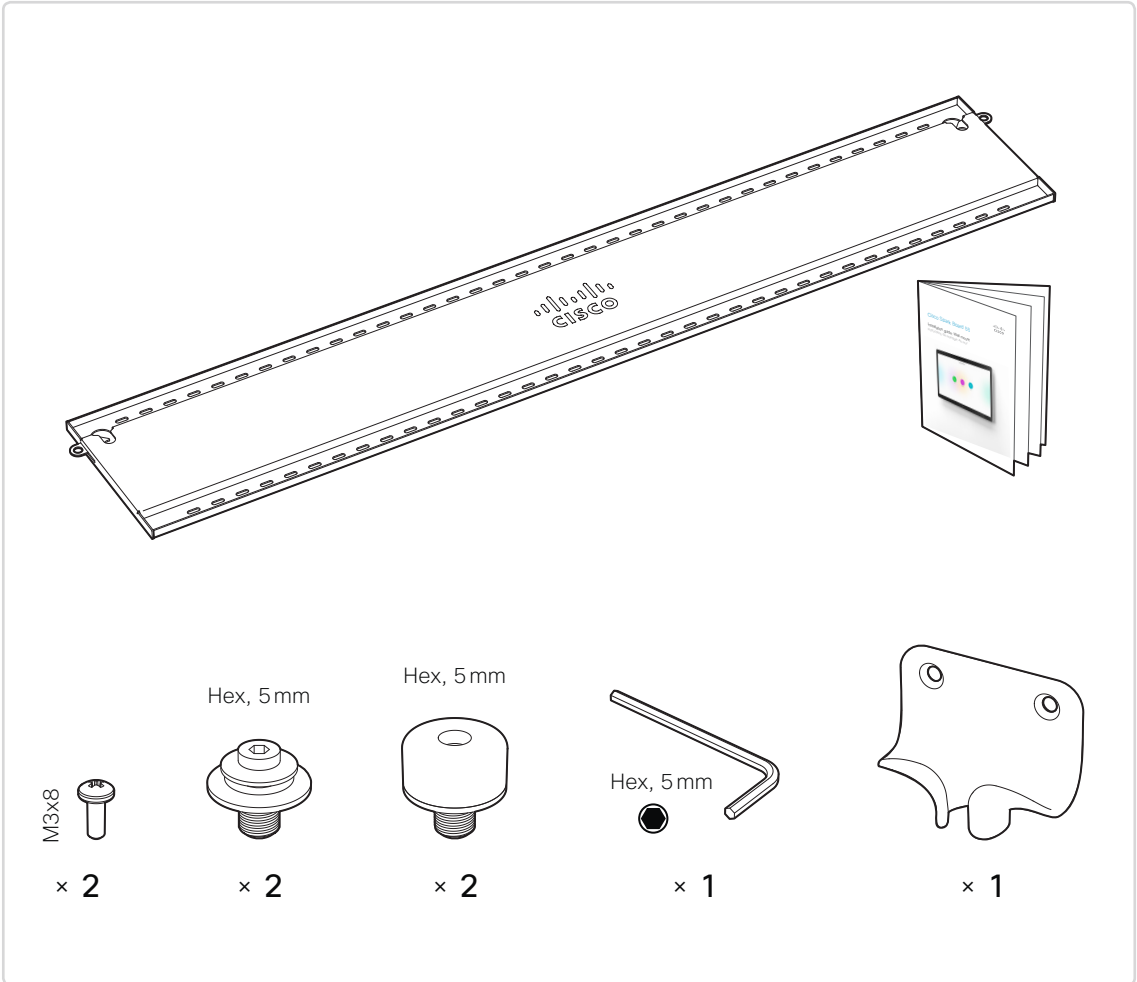
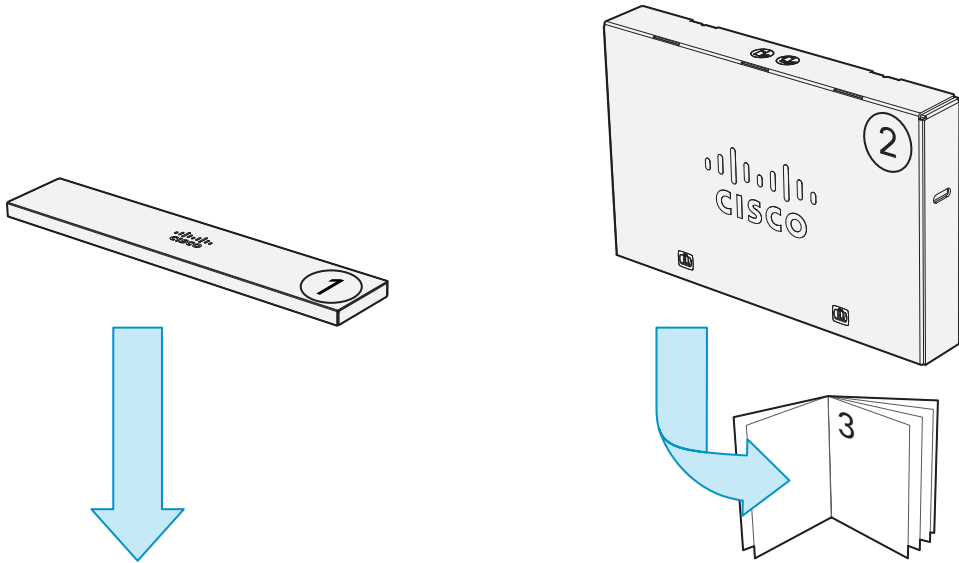


# Cisco Spark Board 55

Installation guide: Wall mount

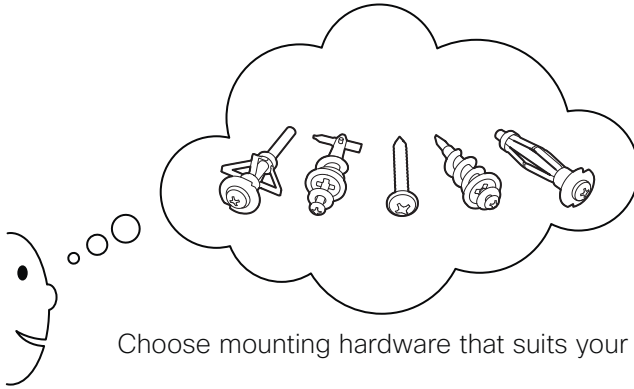




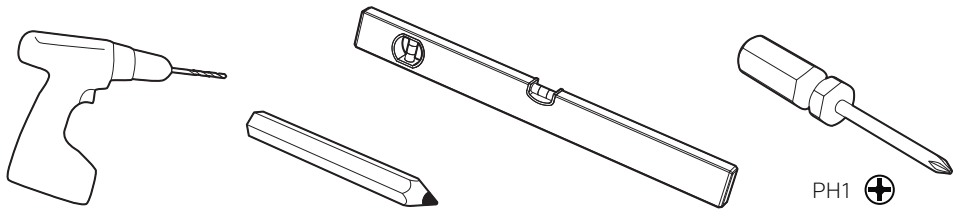




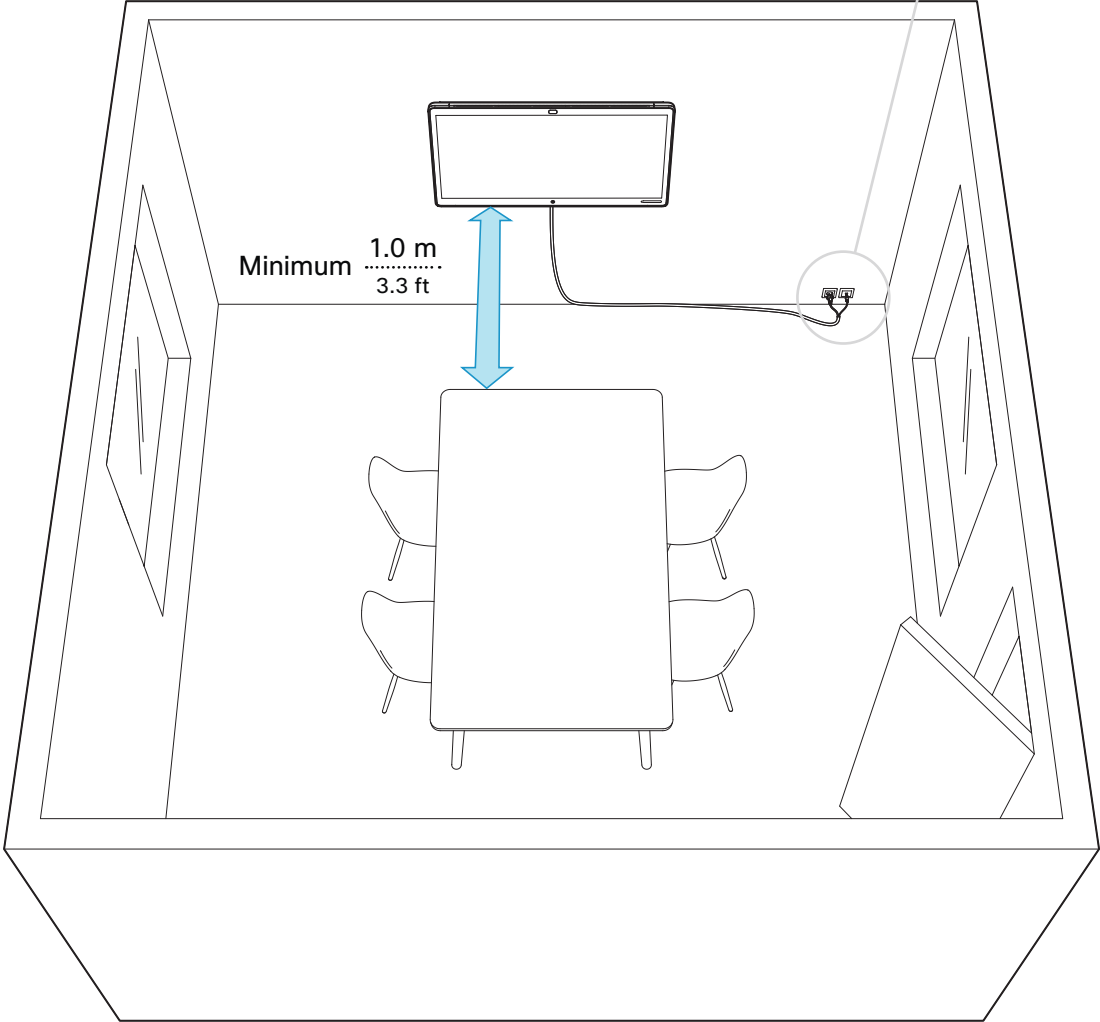
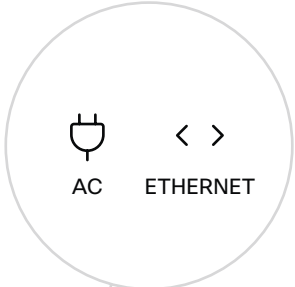
We recommend two people working together to mount this system.  
Follow local regulations.



Choose mounting hardware that suits your wall



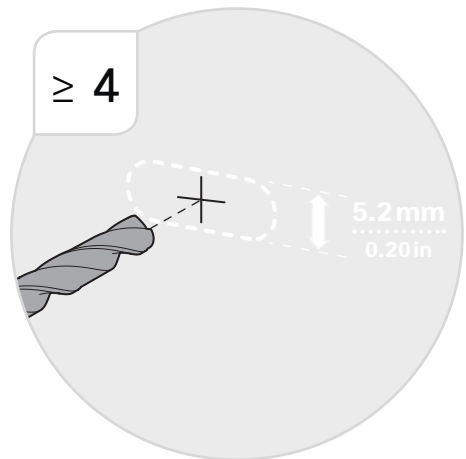
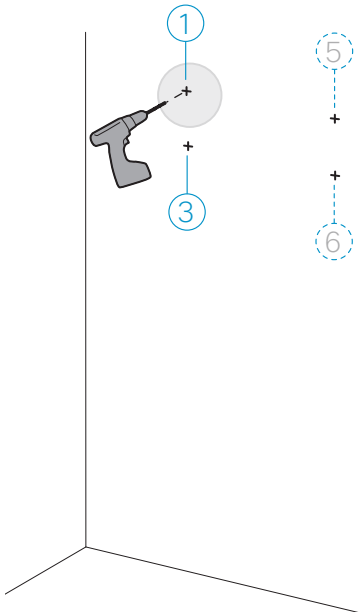
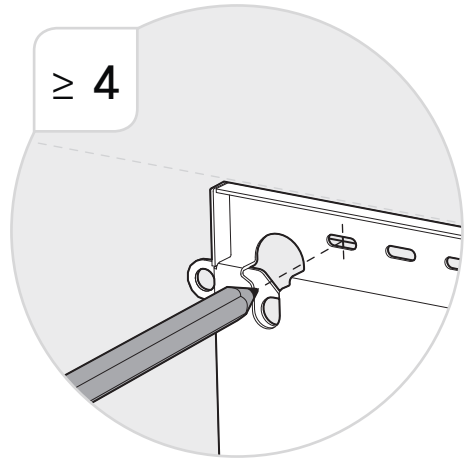
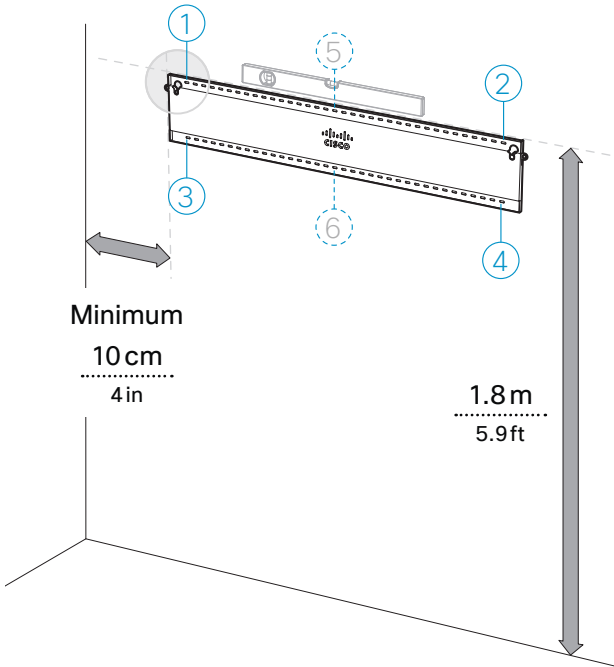
Due to the size and mass of this product, it is important that the wall-mounted system is safely installed according to these installation instructions. The wall-mounted system must be installed by qualified personnel, in accordance with state and local building regulations.



# 1



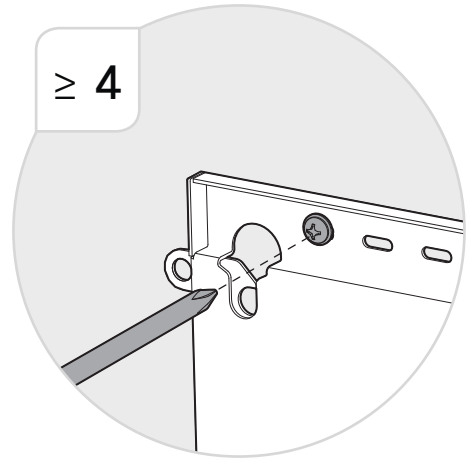
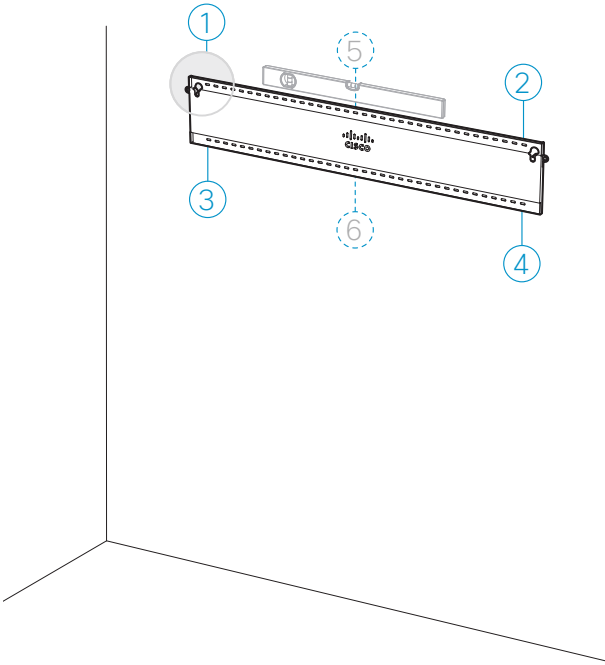
Fasten the wall mount bracket so that it can safely support the product. Choose the horizontal slots that suit your wall. The product with wall mount bracket weighs 46 kg / 101 lb.



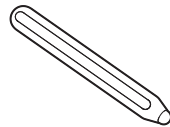
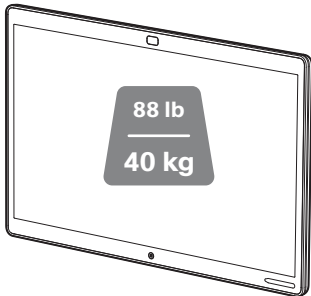
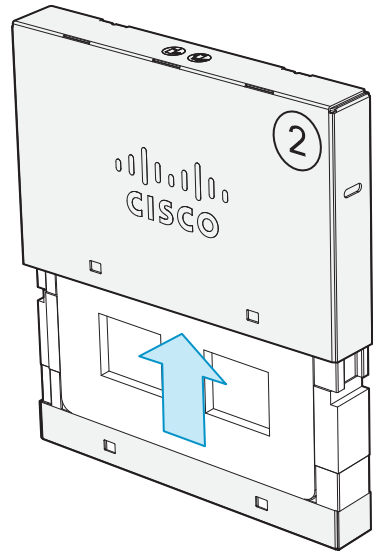
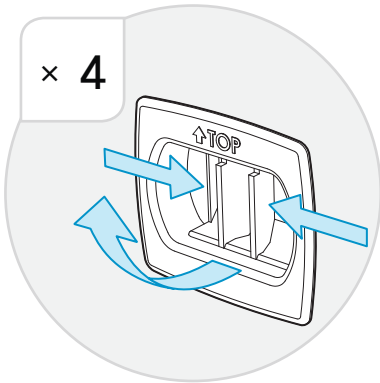
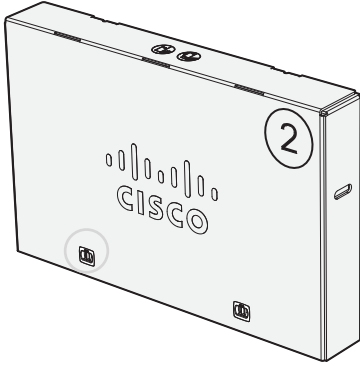
# 2



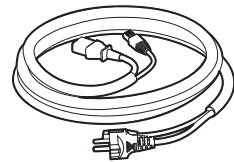
Choose mounting hardware that suits your wall. Use minimum four screws.



# 3



x 3



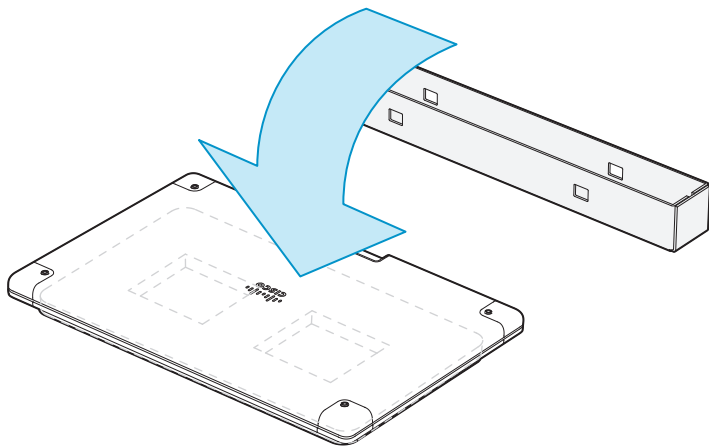
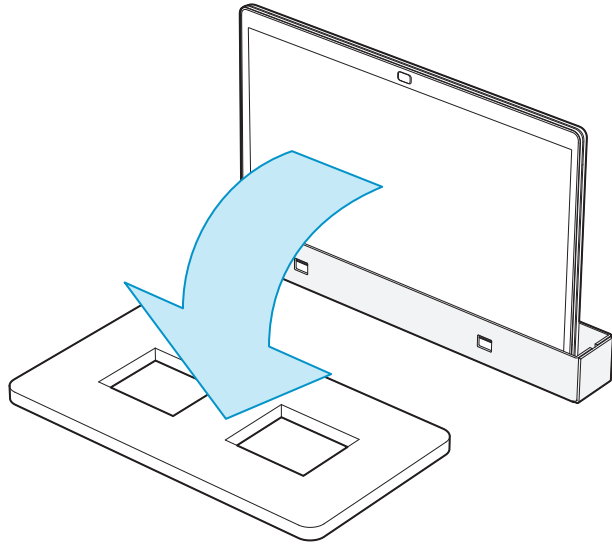
5 m  
.....  
16.4 ft



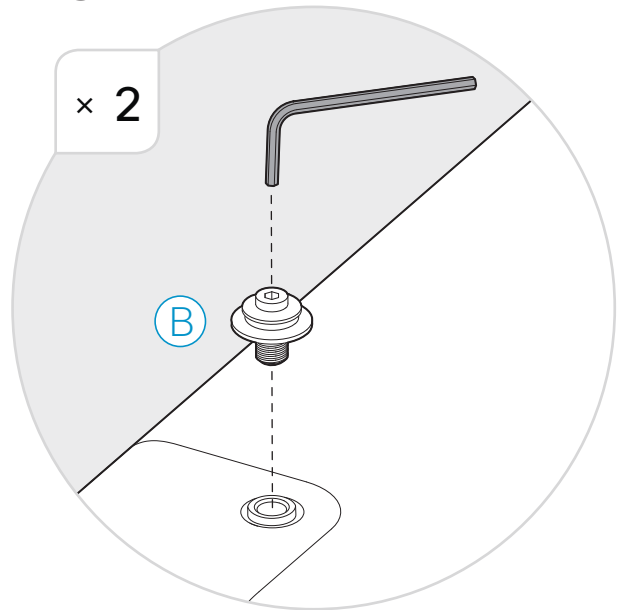
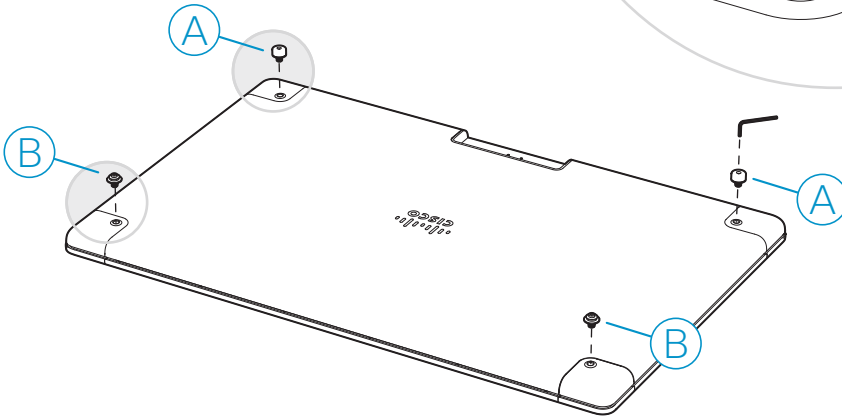
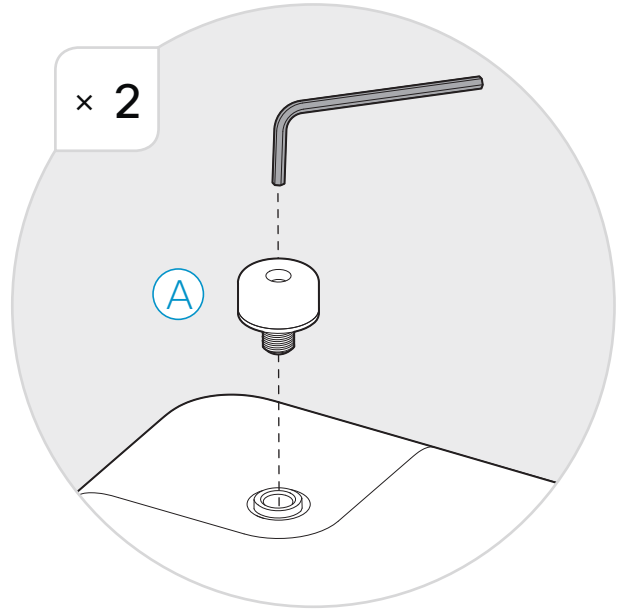
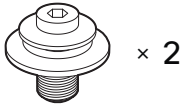
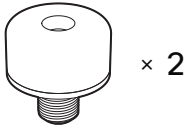
4



88 lb  
40 kg

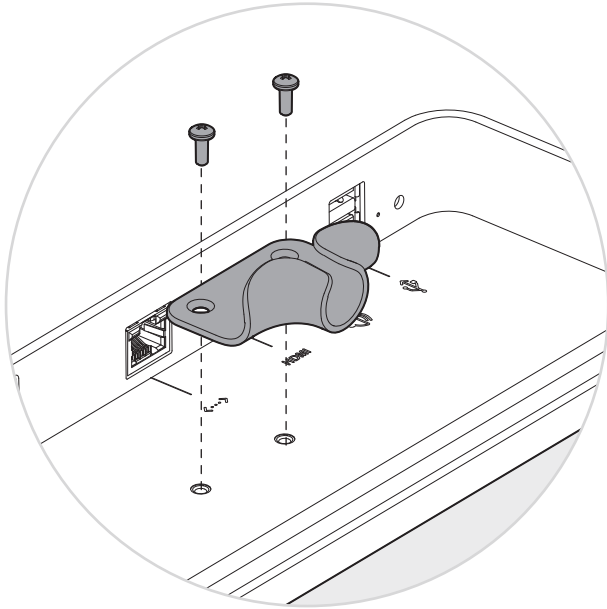
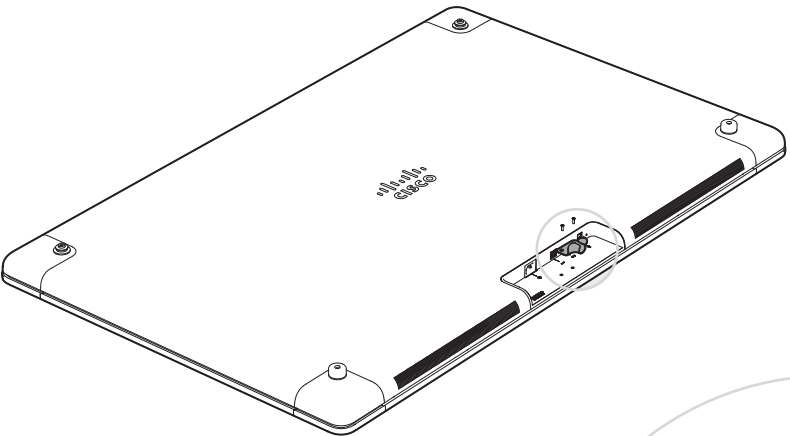


5

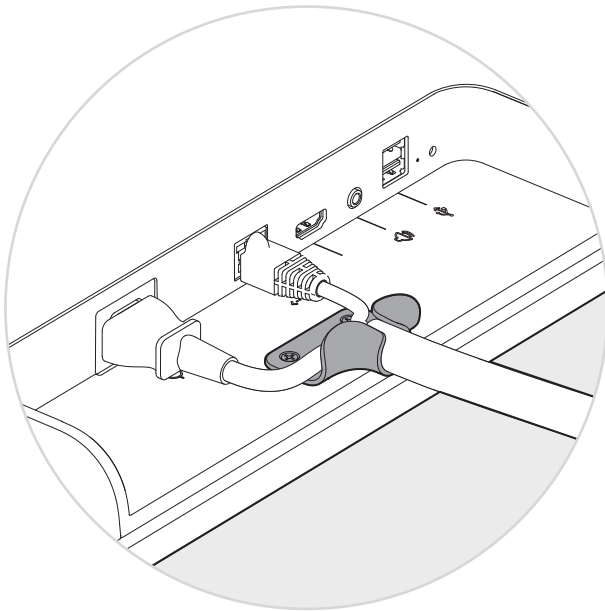
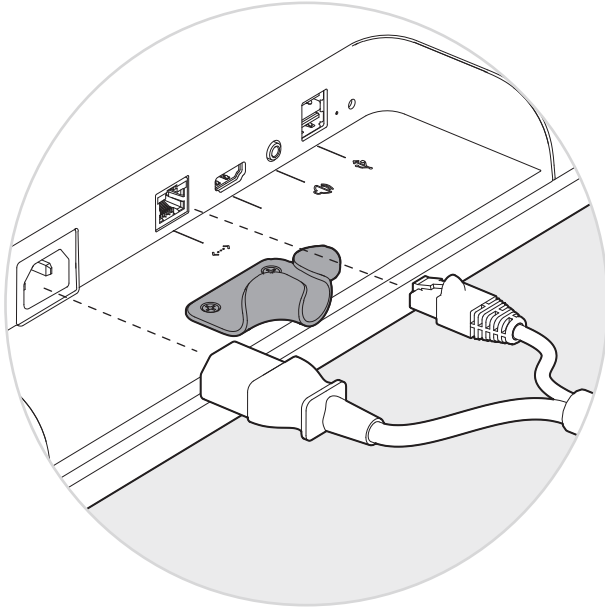
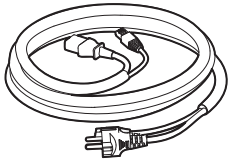


6

M3x8  x 2



7

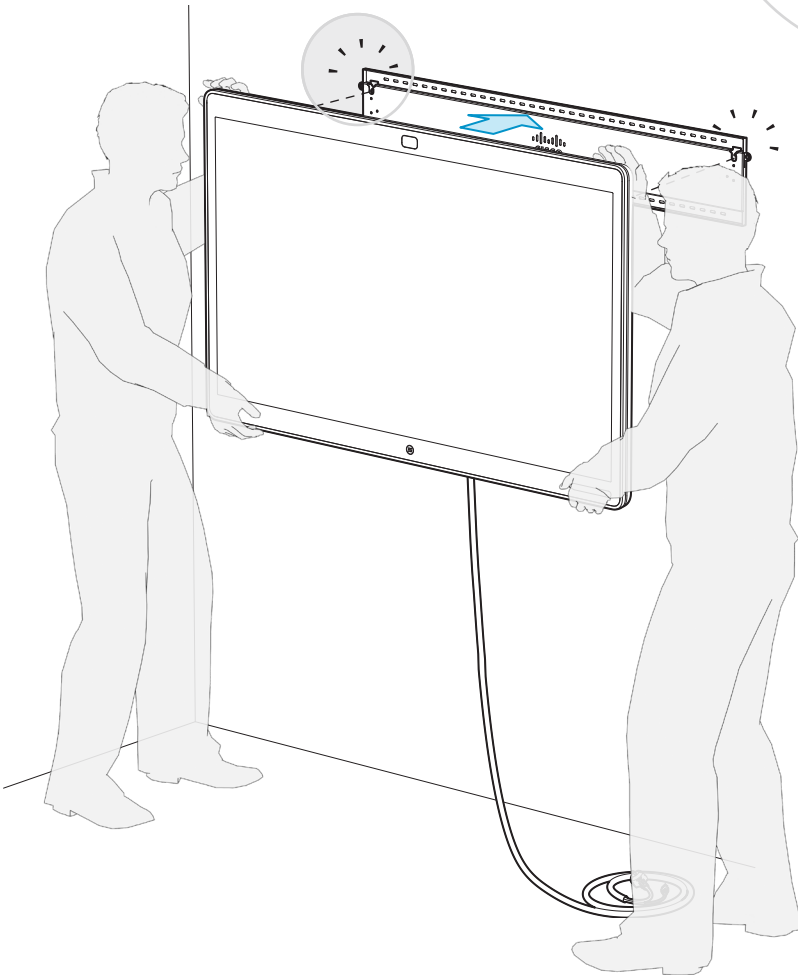
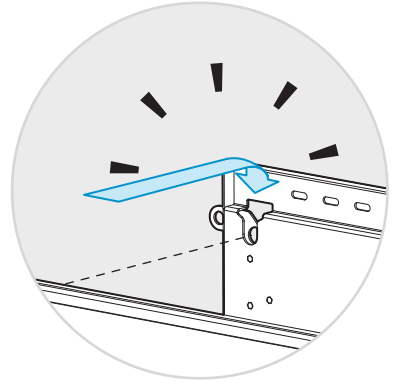


8

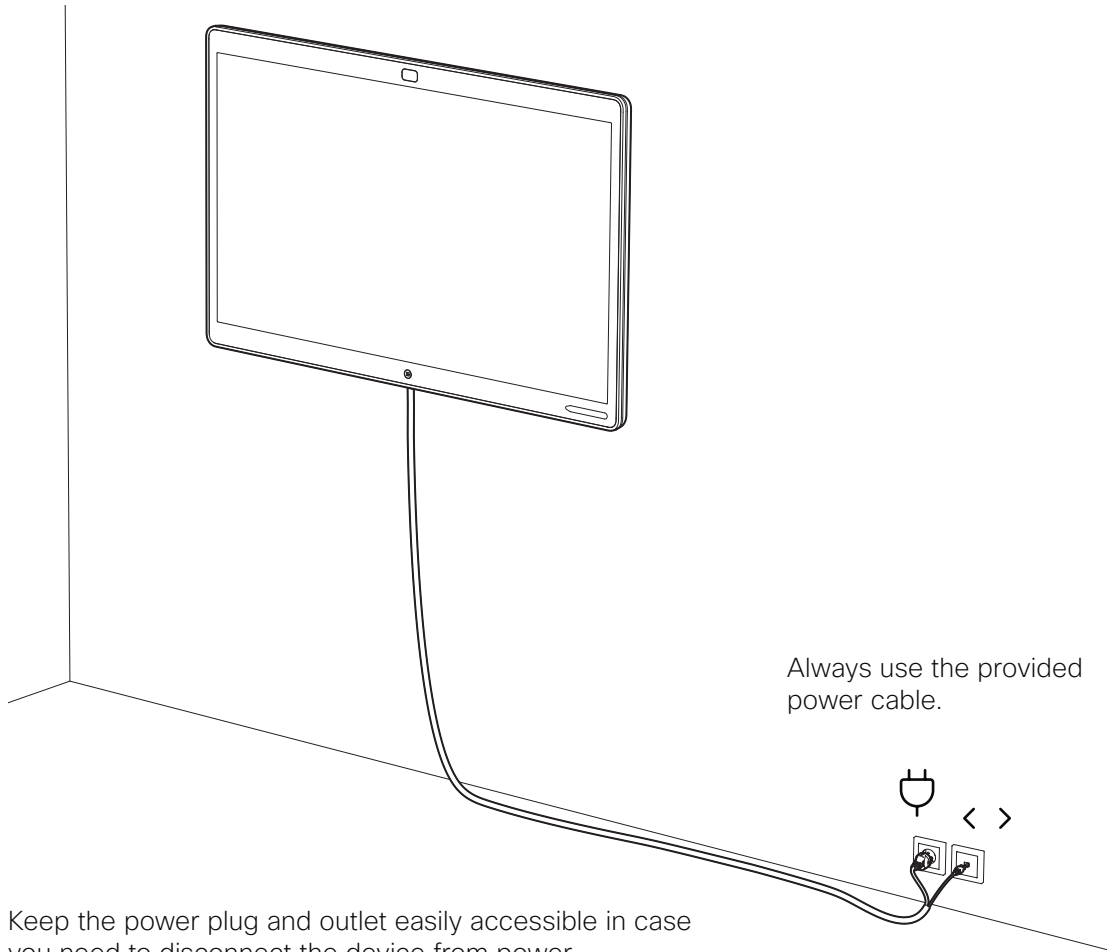


88 lb  
40 kg

Hold the screen firmly until it is securely placed on the bracket. Listen for the click sound.



# 9



Always use the provided power cable.

Keep the power plug and outlet easily accessible in case you need to disconnect the device from power.

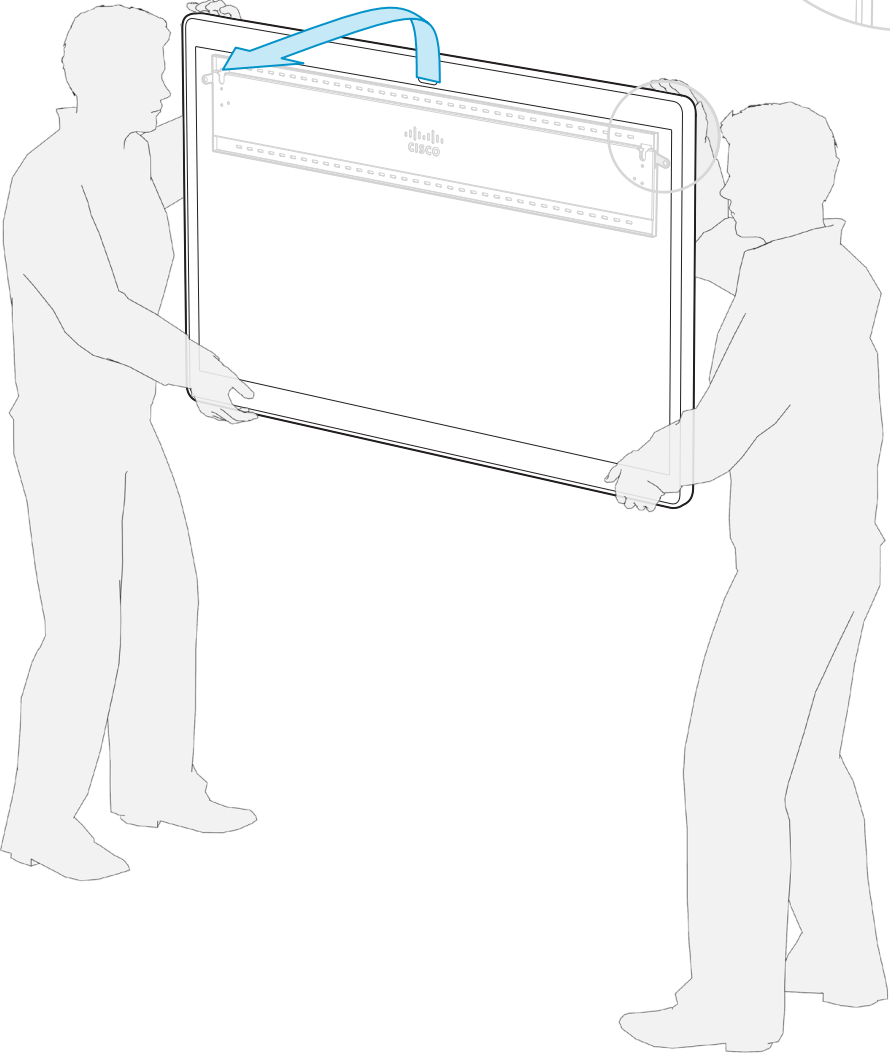
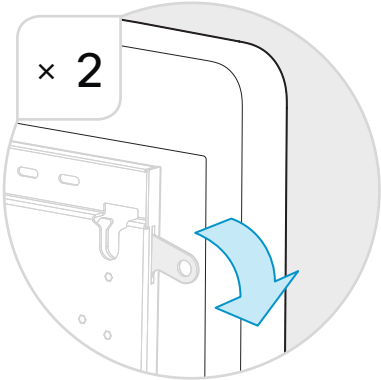


<http://help.ciscopark.com>

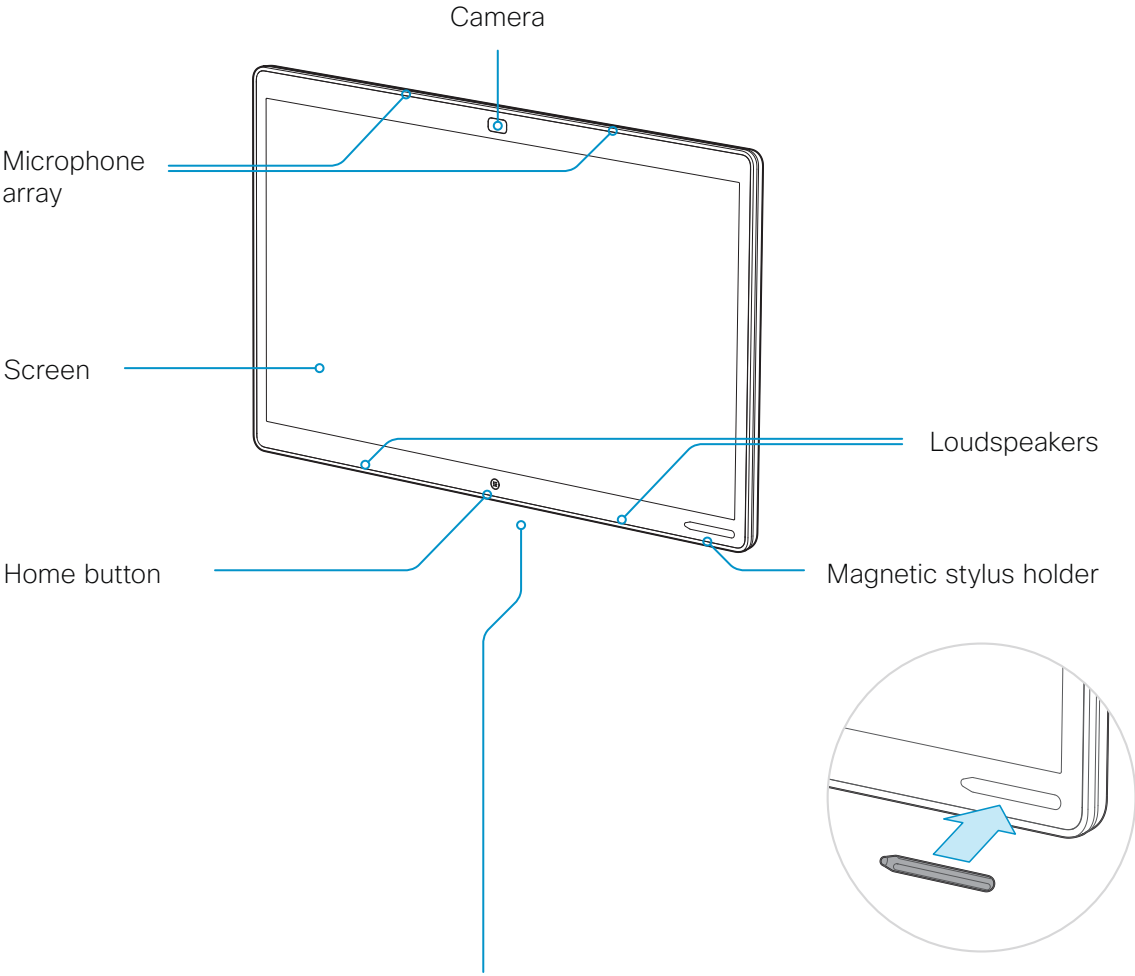
Look for Getting Started articles for the product.

# How to release the Spark Board from the wall bracket

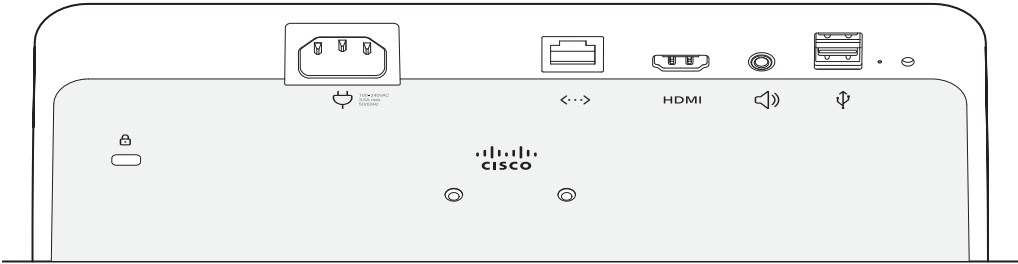
Hold the screen firmly in place while you release the lever on both sides. Then carefully lift the screen off the wall bracket.



# Product overview



Connector panel (at rear)





<http://help.ciscopark.com>

Additional support can be found in our on-line documentation.

<http://www.cisco.com/go/projectworkplace>

Explore the Cisco Project Workplace to find inspiration and guidelines when preparing your office or meeting room for video conferencing.



---

Cisco Systems Inc.  
Corporate Headquarters  
170 West Tasman Dr.  
San Jose, CA 95134  
USA

Cisco has more than 200 offices worldwide. Find an overview of the offices on the Cisco web site.

<http://www.cisco.com/go/offices>

---

Cisco and the Cisco logo are trademarks or registered trademarks of Cisco and/or its affiliates in the U.S. and other countries. To view a list of Cisco trademarks, go to this URL: [www.cisco.com/go/trademarks](http://www.cisco.com/go/trademarks). Third-party trademarks mentioned are the property of their respective owners. The use of the word partner does not imply a partnership relationship between Cisco and any other company. (1110R)

## Free Manuals Download Website

<http://myh66.com>

<http://usermanuals.us>

<http://www.somanuals.com>

<http://www.4manuals.cc>

<http://www.manual-lib.com>

<http://www.404manual.com>

<http://www.luxmanual.com>

<http://aubethermostatmanual.com>

Golf course search by state

<http://golfingnear.com>

Email search by domain

<http://emailbydomain.com>

Auto manuals search

<http://auto.somanuals.com>

TV manuals search

<http://tv.somanuals.com>