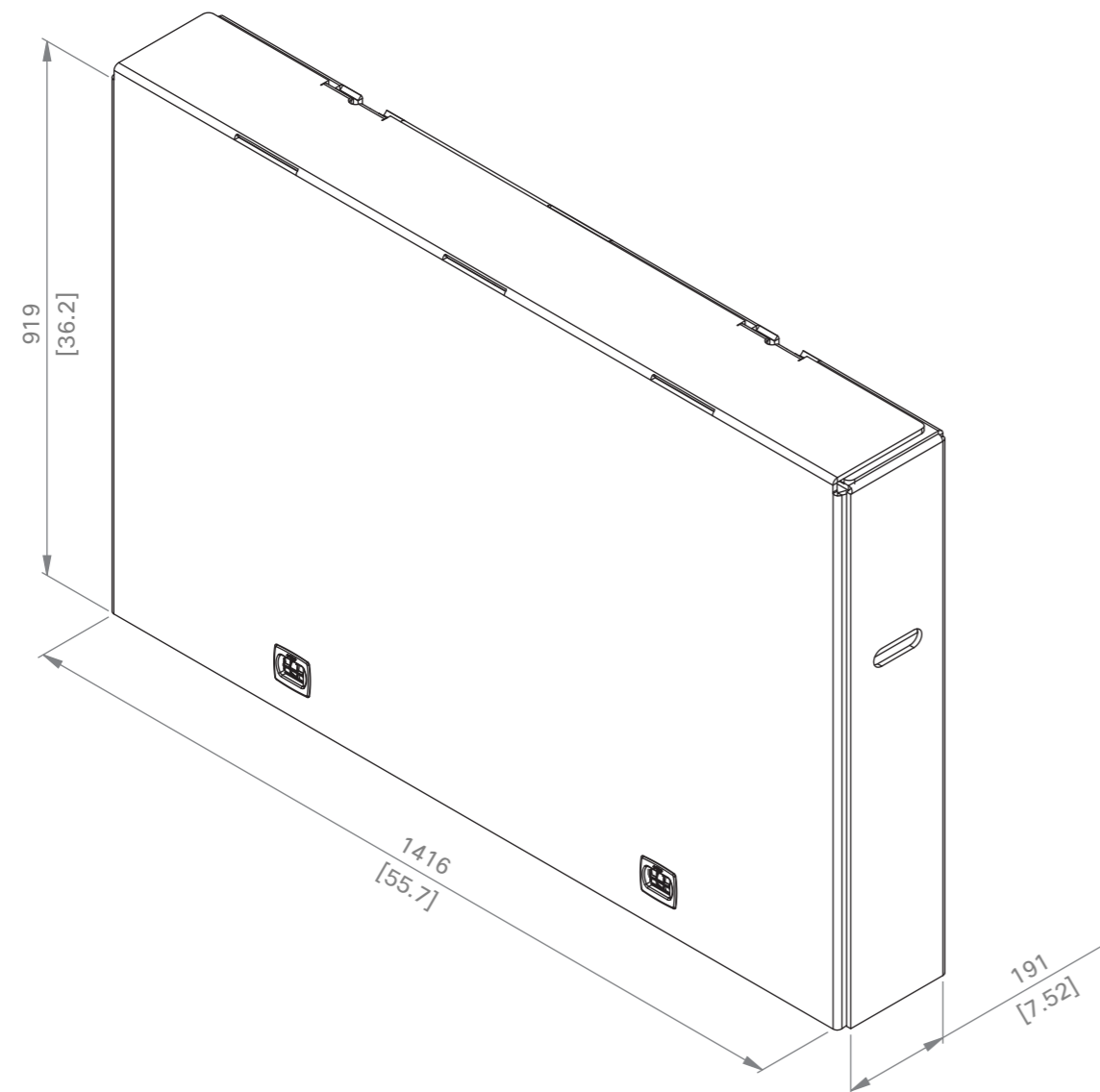
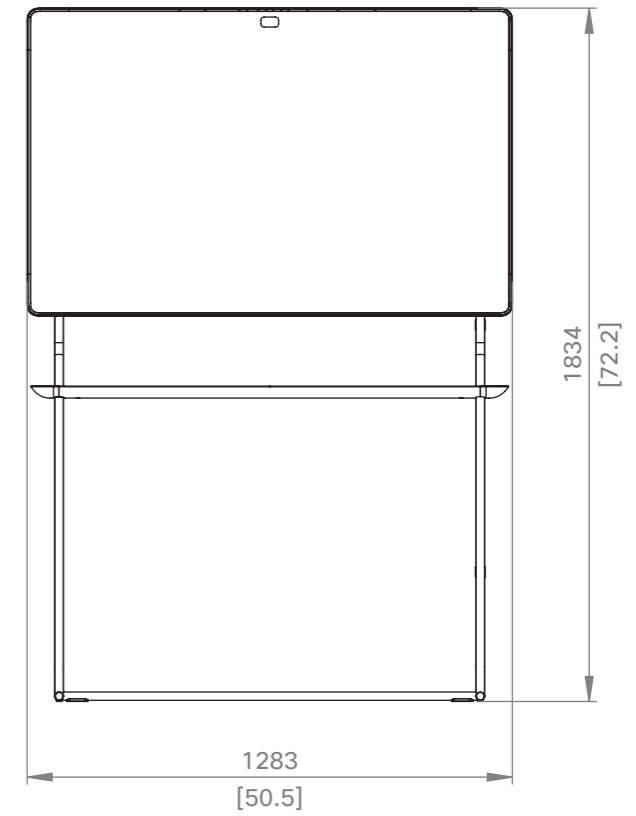
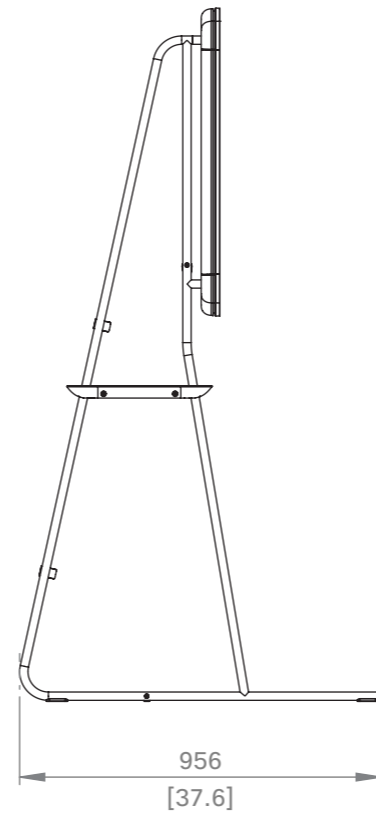
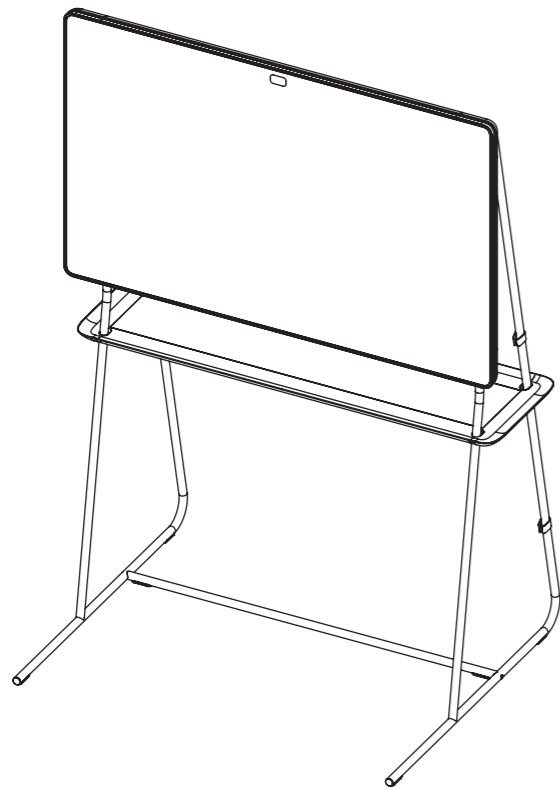


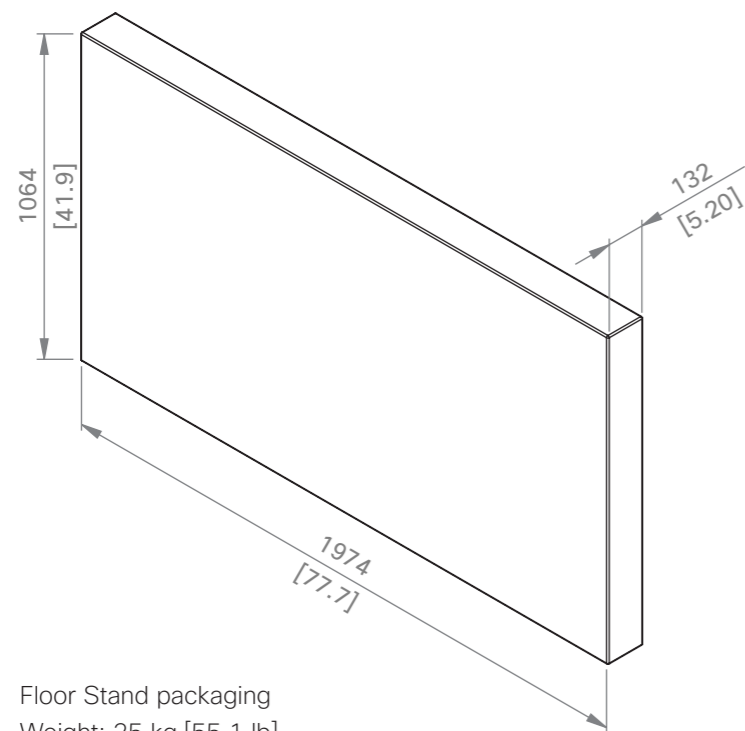
Spark Board Weight: 39.8 kg [87.7 lb]
 Weight including packaging and accessories: 45.8 kg [101 lb]



 Cisco Spark Board 55	European projection 
	Unit: mm [in.]
	Sheet size: A3
Scale: 1:10	



Weight Floor Stand: 21.1 kg [46.5 lb]
 Total weight including Spark Board: 60.9 kg [134.3 lb]



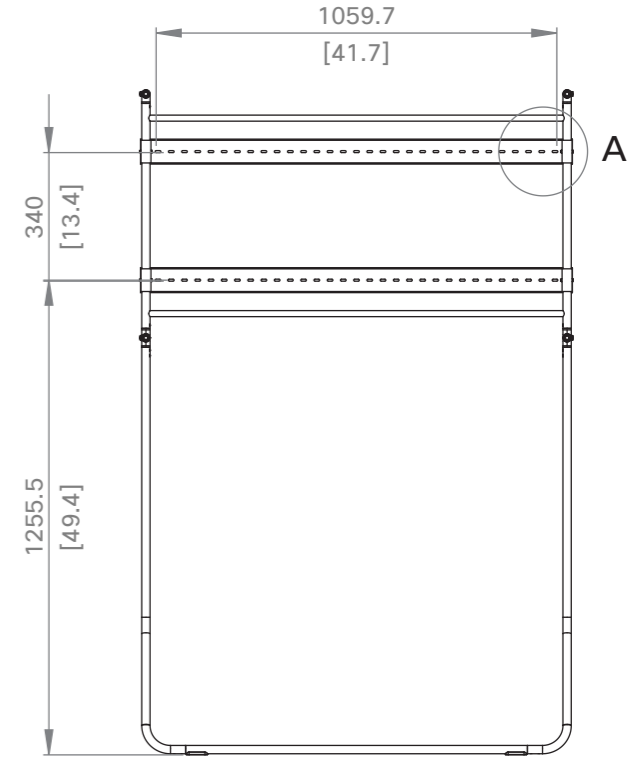
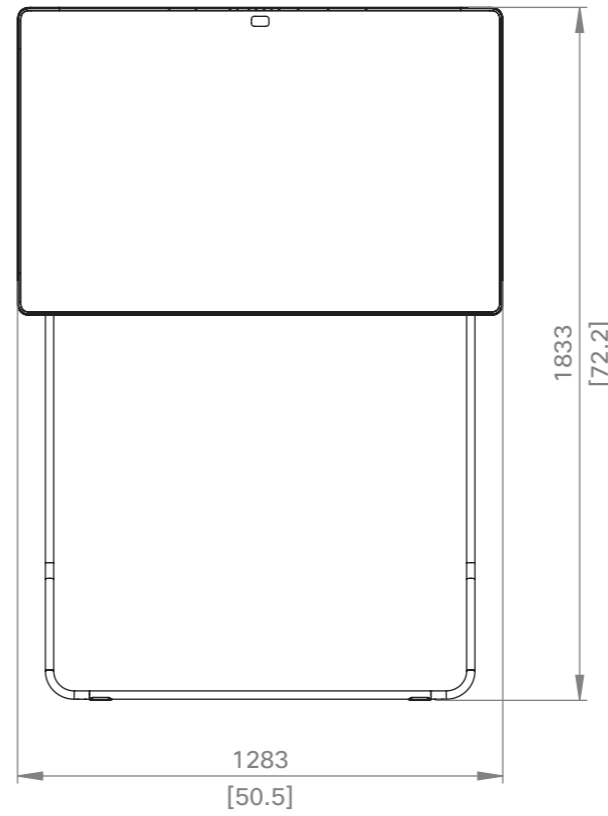
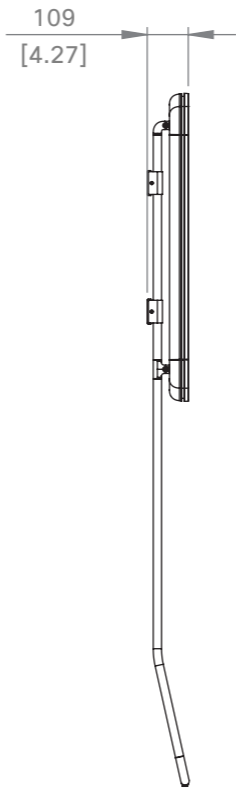
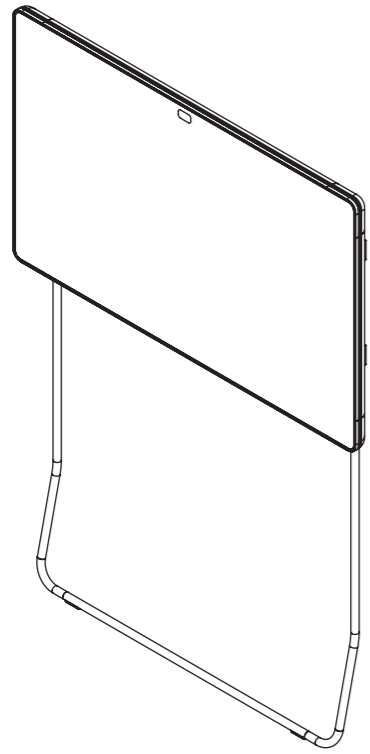
Floor Stand packaging
 Weight: 25 kg [55.1 lb]



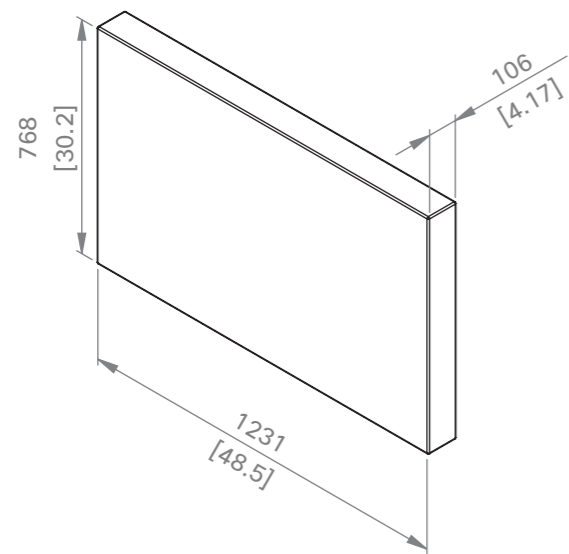
Cisco Spark Board 55
 with Floor Stand

European projection

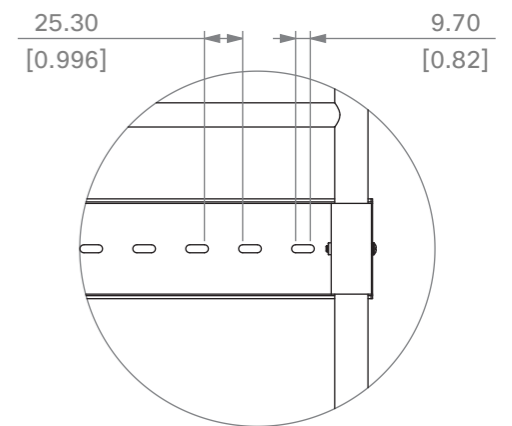
Unit:	mm [in.]
Sheet size:	A3
Scale:	1:20



Weight Wall Stand: 11 kg [24.3 lb]
 Total weight including Spark Board: 50.8 kg [112 lb]



Wall Stand Kit packaging
 Weight: 13 kg [28.7 lb]



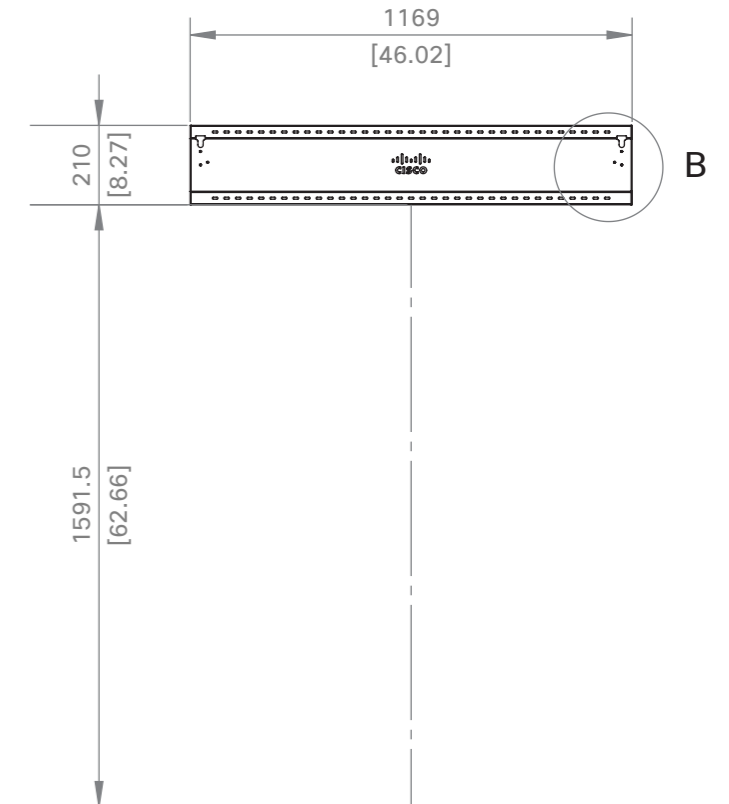
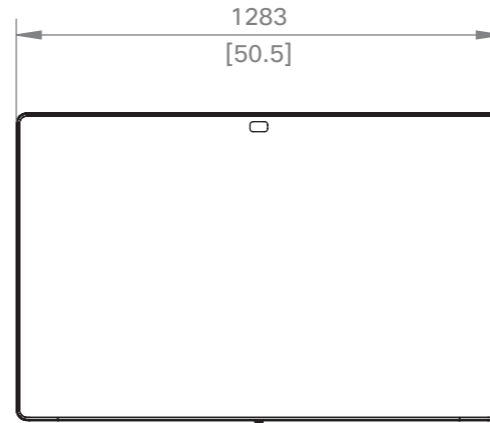
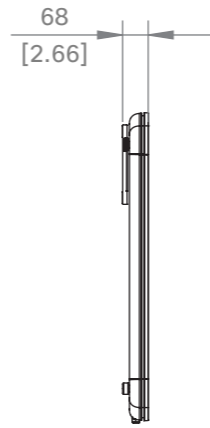
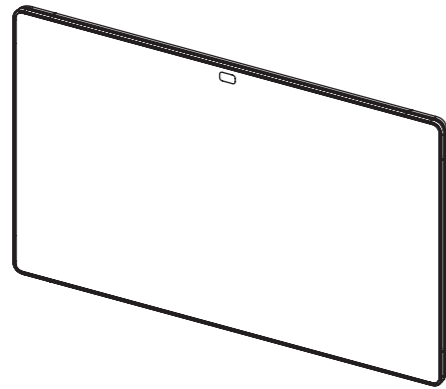
DETAIL A
 SCALE 1 : 5



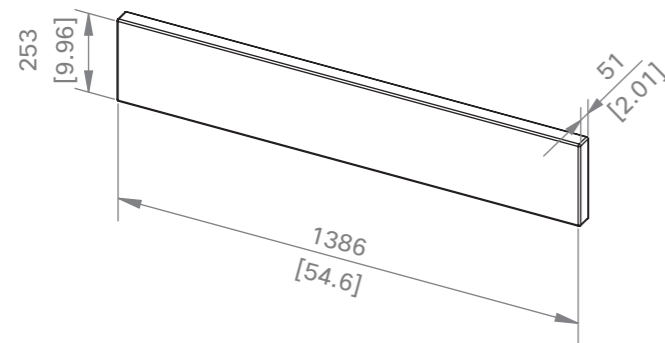
Cisco Spark Board 55
 with Wall Stand

European projection

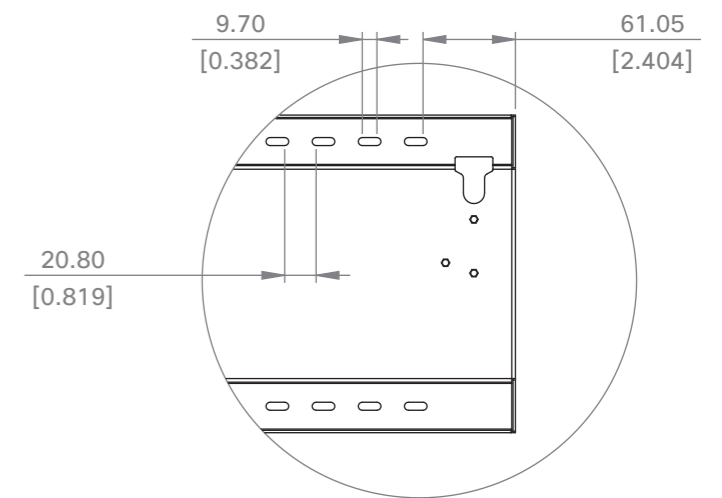
Unit: mm [in.]
 Sheet size: A3
 Scale: 1:20



Weight Wall Mount Kit: 5.0 kg [11 lb]
 Total weight including Spark Board: 44.8 kg [134.3 lb]



Wall Mount Kit packaging
 Weight: 6 kg [13.2 lb]



DETAIL B
 SCALE 1 : 5



Cisco Spark Board 55
 with Wall Mount

European projection

Unit: mm [in.]
 Sheet size: A3
 Scale: 1:20

Free Manuals Download Website

<http://myh66.com>

<http://usermanuals.us>

<http://www.somanuals.com>

<http://www.4manuals.cc>

<http://www.manual-lib.com>

<http://www.404manual.com>

<http://www.luxmanual.com>

<http://aubethermostatmanual.com>

Golf course search by state

<http://golfingnear.com>

Email search by domain

<http://emailbydomain.com>

Auto manuals search

<http://auto.somanuals.com>

TV manuals search

<http://tv.somanuals.com>