

COBRATRON

INSTALLATION AND MAINTENANCE GUIDE



EL-3010 S/D
TOUCH FREE PILLAR TYPE SOAP DISPENSER

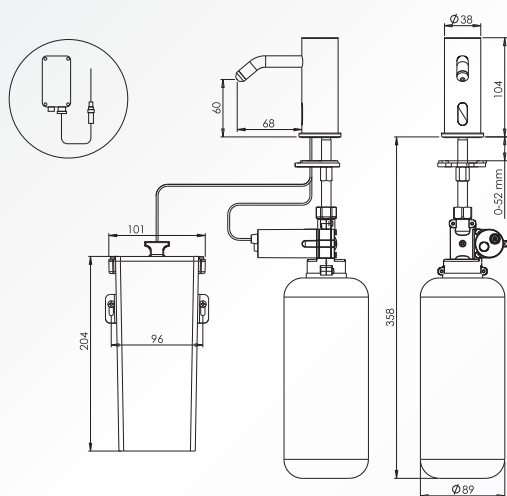
 **COBRA**

MAPICS NR. 4222025

INDEX

- 1 TECHNICAL DATA
- 2 PACK CONTENTS
- 3 PRE-INSTALLATION INFORMATION
- 4-6 INSTALLATION
- 7 FILLING THE SOAP TANK
- 8 SETTINGS ADJUSTMENT WITH A REMOTE CONTROL
- 9 MAINTENANCE
Care and cleaning of chrome and special finishes
- 10 LIMITED WARRANTY
- 11 TROUBLE SHOOTING

TECHNICAL DATA

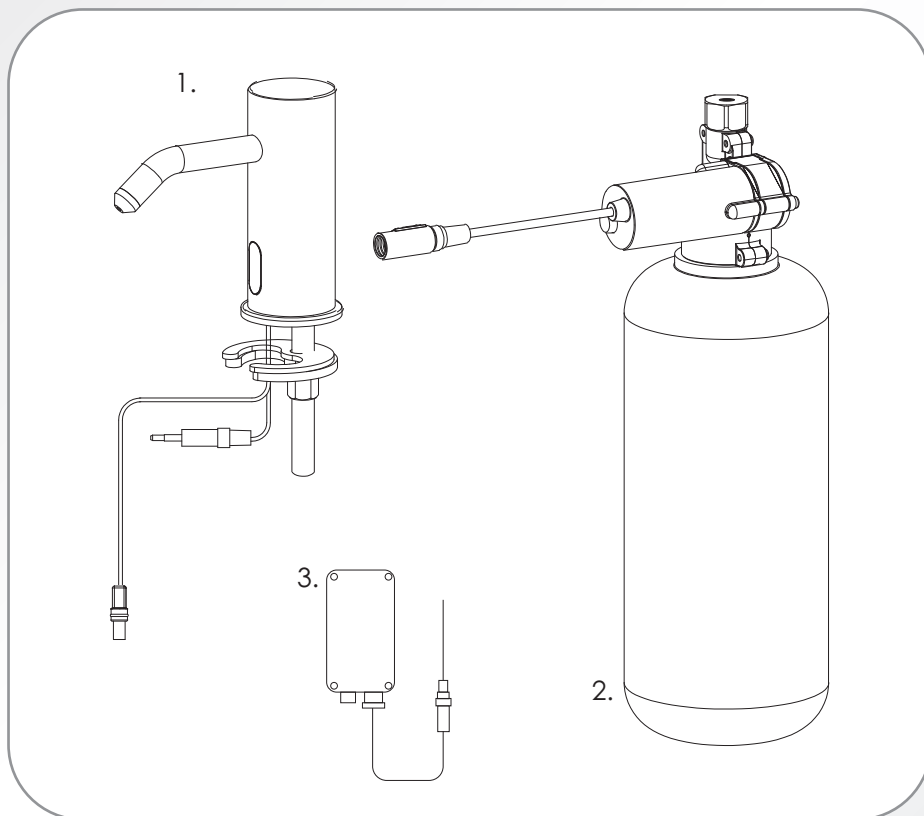


EL-3010S/D

Capacity:	1 Liter
Power Supply:	IP 67 Transformer Box
Soap viscosity:	100 – 3800 cPs
Standard discharge:	0.8cc, Adjustable

PACK CONTENTS

Familiarize yourself with the part names and confirm that the parts are included.



-
1. 1 x Body and fixing accessories
 2. 1 x Soap tank and pump assembly
 3. 1 x IP 67 Transformer Box

PRE-INSTALLATION INFORMATION

Check contents

Separate all parts from the packaging and check each part with the "Pack contents" section.

Make sure all parts are accounted for before discarding any packaging material.

If any parts are missing, do not attempt to install your touch free soap dispenser until you obtain the missing parts.

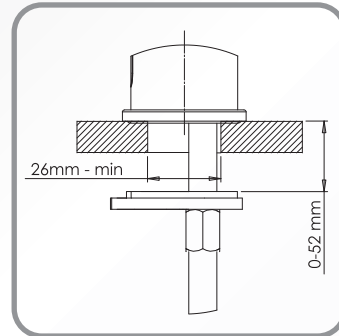
Warnings

- Do not install the product facing a mirror or any other electronic system operated by an infra-red sensor.
- It is recommended to keep a minimum distance of 1.50 meters between the soap dispenser and any other objects.

Important: Keep in mind that the location of the user hands, while using the tap/ mixer nearby should not interfere with the soap dispenser sensor detection area.

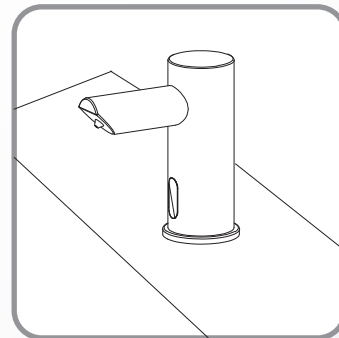
INSTALLATION

Step 1 – Remove all mounting hardware

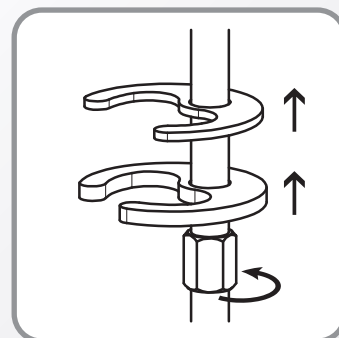


Step 2 – Installing the soap dispenser

1. Place the soap dispenser body along with the bottom ring into the hole in the deck or basin.

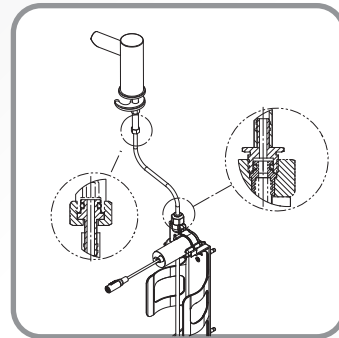


2. Slide rubber pad and horse shoe over the soap dispenser body nipple and secure the hexagonal nut.

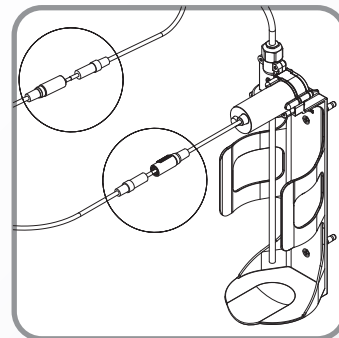


INSTALLATION

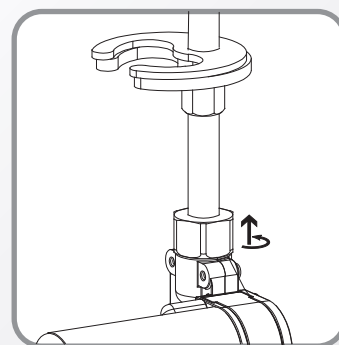
3. Assemble the tube from the pump to the soap dispenser.



4. Connect the extension cable.



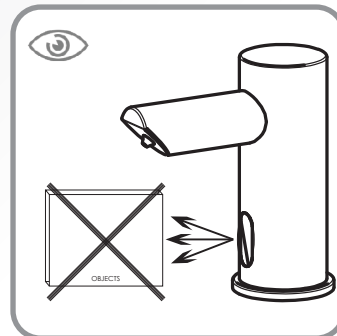
5. Screw in the nut at the top of the soap dispenser pump assembly to the soap dispenser body nipple.



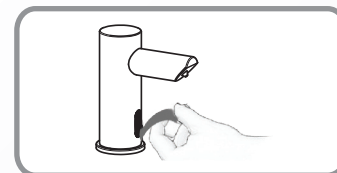
INSTALLATION

Step 3 - Connecting the power source

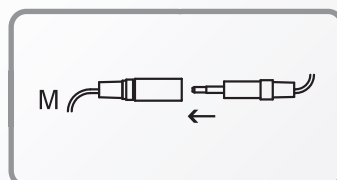
Important: this product was supplied with a self adjusting sensor. The ideal sensor range for the specific location will be set automatically. Right now, check that no objects are in front of the sensor.



1. Remove the protective sticker covering the sensor. Keep away from the sensor range.



2. a. Connect the motor connector and make sure to push the connector all the way home.
b. Connect the transformer into the electricity supply via an isolating switch

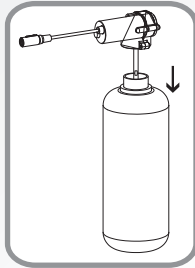


3. Wait about 10 seconds before you put your hands within the sensor range.

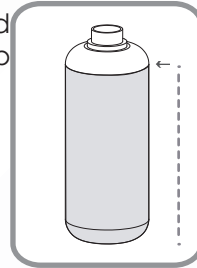


FILLING THE SOAP TANK

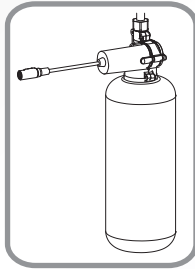
1. Unscrew the soap tank from the pump assembly.



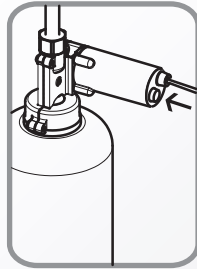
2. Fill in the liquid soap up to the top line.



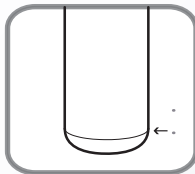
3. Screw the soap tank back to the pump assembly. Make sure the tank is secured firmly in place.



4. Press the refill button located at the back of the pump assembly until soap starts coming out of the soap dispenser spout. This operation can also be done using the soap dispenser remote control Refill function.



Note: Once the soap in the soap tank has reached the bottom line the soap tank should be refilled. To refill the soap tank please refer to steps 1-5.



SETTINGS ADJUSTMENT WITH A REMOTE CONTROL

If desired, use the remote control to adjust the soap dispenser settings. Hold the remote control straight in front of the sensor in a distance of about 10 - 15cm. Choose the function you want to adjust by pressing on the function button as following:

① SOAP QUANTITY

The 1- 4 drop keys allow the user to choose the desired soap quantity.

① 0.2 to 0.4 ② 0.7 to 0.9 ③ 1.2 to 1.6 ④ 2.1 to 2.3
Indication: continues blink of the red light in the sensor eye.

* The exact soap dosage depends on the soap viscosity.

② ADJ

This function allows coming back to soap quantity factory settings. Press the ADJ button.

Indication: 2 blinks of the red light in the sensor eye.

③ TEMPORARY OFF FUNCTION

This function is ideal to perform any kind of activity in front of the sensor without operating the system (for example, cleaning). The soap dispenser will remain shut for 1 minute when this button is pressed once. To cancel this function and to return to normal operation press the On/Off button again or wait 1 minute.

Indication: OFF – 2 fast blinks, ON – 4 fast blinks

④ REFILL THE SOAP TANK

Once the soap tank has been refilled, press the FILL button. The pump would work for one minute in order for the soap to start coming out of the soap dispenser spout. To stop this activity press the FILL button again.



EL-REMOTESD

MAINTENANCE

Cleaning and Maintenance

Cleaning

To maintain the lustre of chrome plated surfaces simply wipe occasionally with a soft damp cloth using a mild dishwashing detergent or soap solution. Rinse then dry and buff with a soft cloth.

Warning

Many household and industrial cleaners contain abrasives and or harsh chemical compounds and acids. Do not use cleaners or they may irreparably discolour, dissolve or scuff the chrome palte finish. Do not use abrasive cloth or scouring pads.

Maintenance

The frequency and extend of maintenance required for this product will vary according to prevailing site and operational conditions. No regular maintenance required. Spare parts are available for key components.

SPARE PARTS LIST

EL-TRANS3-M	IP67 transformer box with a 3 way splitter cable
-------------	--------------------------------------------------

LIMITED WARRANTY

- All goods are subjected to approved inspection/ test processes prior to dispatch. All goods are warranted to be free of defects in material, workmanship and design at the time of dispatch.
- Defective goods will be replaced/ repaired at our discretion, free of charge at the factory, but we are not liable for any damage of any other nature, including consequential or indirect loss arising from any such defect. Our obligation to repair/ replace is in lieu of all and any other liability on our part.
- This warranty applies only to correctly installed and maintained goods. Wear and tear considered normal at the locality of the installation is excluded from the ambit of the warranty.

The warranty may be affected under the following conditions:

- 1) Water conditions are particularly aggressive either hard, soft or other.
 - 2) Products are not installed by a registered/ accredited installer
 - 3) Hot water supply is excessive temperature
- The warranty is valid for 2 years

TROUBLE SHOOTING

PROBLEM	INDICATOR	CAUSE	SOLUTION
No soap coming out of the spout	Red light in the sensor flashes (once) and the motor is operating.	Soap has run low or completely out.	Refer to page 4 and refill the soap tank.
		The soap tank has been filled but soap has not reached the spout.	Press the refill button located at the bottom of the pump until soap starts to come out of the spout again.
		Sensor is picking up reflections from the washbasin or another object.	Eliminate cause of reflection.
	Red light in the sensor does not flash (once) when user's hands are within the sensor's range.	Connectors between the electronic unit and the pump assembly \transformer are disconnected or not properly connected.	Connect the electronic unit connectors to the pump assembly and transformer.
Soap coming out from the spout does not stop		The black connector between the pump assembly and soap dispenser are not connected all the way through.	Connect the black connectors all the way through.

Cobra Watertech (Pty) Limited

P.O. Box 1096, Krugersdorp 1740, South Africa

T: (011) 951 5000

E: marketing@cobrawatertech.co.za

www.cobra.co.za

Branches:

Johannesburg (Showroom & Sales)

T: (011) 875 7400

Cape Town (Showroom & Sales)

T: (021) 510 0970

Port Elizabeth (Showroom & Sales)

T: (041) 367 4730

Durban

T: (031) 303 8400

Bloemfontein

T: (051) 522 3385

Mpumalanga/ Limpopo

T: (011) 875 7400

International

T: (+2711) 951 5104

F: (+2711) 951 5002

E: export@cobrawatertech.co.za

After Sales Service

T: 0861 21 21 21

SABS
ISO 9001

 **COBRA**

Free Manuals Download Website

<http://myh66.com>

<http://usermanuals.us>

<http://www.somanuals.com>

<http://www.4manuals.cc>

<http://www.manual-lib.com>

<http://www.404manual.com>

<http://www.luxmanual.com>

<http://aubethermostatmanual.com>

Golf course search by state

<http://golfingnear.com>

Email search by domain

<http://emailbydomain.com>

Auto manuals search

<http://auto.somanuals.com>

TV manuals search

<http://tv.somanuals.com>