

# COR IBR1100 Dual-Modem Dock

Increase Availability. Augment Bandwidth.



## THANK YOU FOR CHOOSING CRADLEPOINT

Cradlepoint is the leading provider of secure, cloud-managed 3G/4G/LTE networking solutions for the distributed enterprise with hundreds or thousands of locations. Our broad family of high-performance routers are designed for deployment in mission-critical applications that require 24x7 connectivity.

*Always Connected. Always Protected.*

### Dual-Modem Dock Key Features:

- + Software-defined radio
- + Multi-carrier support
- + FirstNet / Band 14 ready
- + Seamless integration with IBR1100 Series
- + Support for all Cradlepoint MC400 modems dock

Go to [cradlepoint.com/ibr1100-dock](http://cradlepoint.com/ibr1100-dock) to learn more.

## INSTALLATION INSTRUCTIONS

1. Remove modem door (D) from dock (A).
2. Insert activated SIM(s) into MC400 modem (B).
3. Optional for moisture/dust resistance. Place one o-ring (C) onto each antenna connector.
4. Slide MC400 modem (B) into modem dock (A).
5. Attach modem door (D) using M3 screws (E).
6. With USB port of the IBR1100 facing the USB connector of the IBR1100 dock, slide the mounting flange(s) of the router (F) into the guide rails(s) of the dock (A).

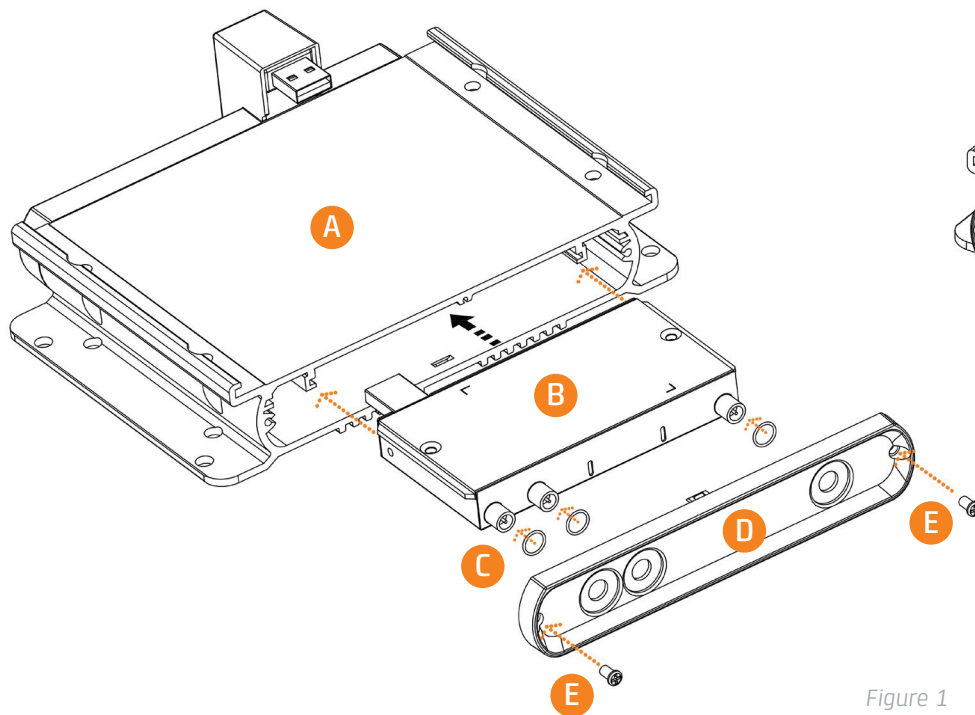


Figure 1

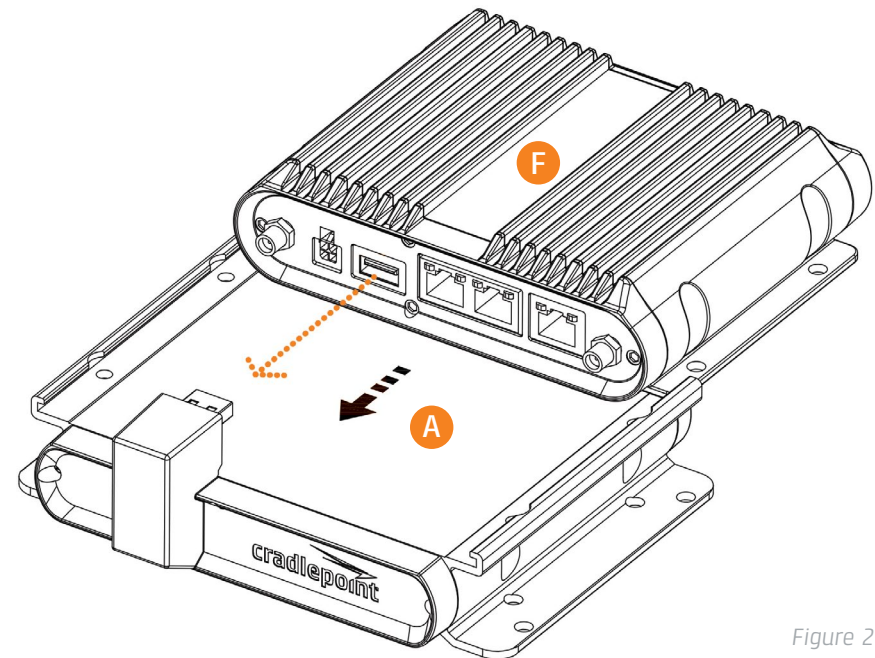


Figure 2

7. Fully seat USB connectors and align router/dock holes.
8. **For new installations:** Secure router to dock using four M5x8 screws (G), then secure dock to mounting surface using four mounting screws (H) (not supplied). Skip to step 10. For high-vibration environments, Cradlepoint recommends using thread locker.
9. **For existing installations:** Secure router to dock and mounting surface using four M5x40 screws (also included). For high-vibration environments, Cradlepoint recommends using thread locker or nylon lock nut.
10. Attach included or accessory antennas.

*NOTE: Do not place IBR1100/IBR1150 antennas and MC400 antennas immediately adjacent. Cradlepoint recommends remotely attaching one or both sets of antennas.*

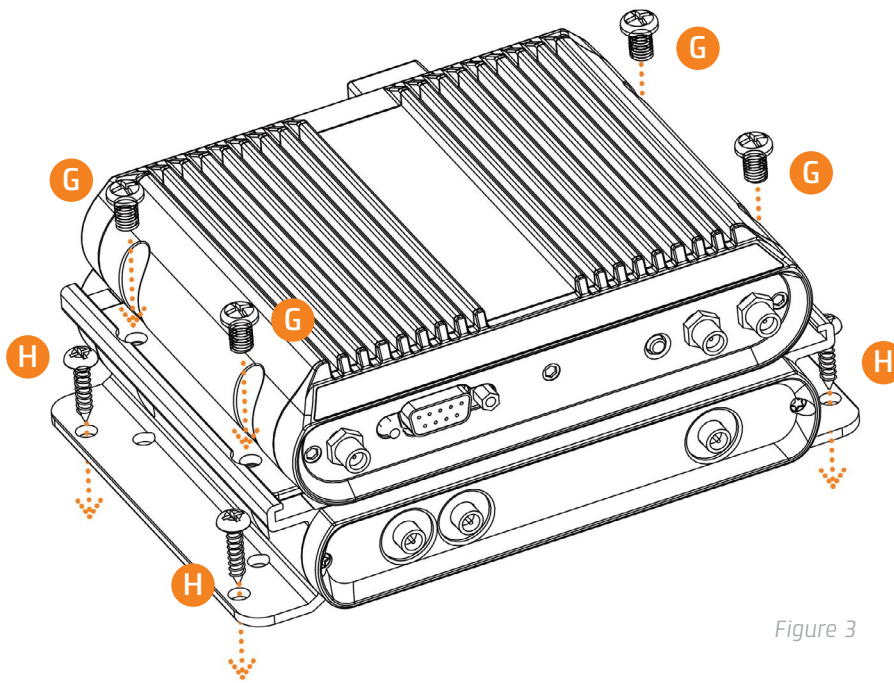


Figure 3



## Deploy and Manage the Intelligent Network with Cradlepoint NetCloud

Cradlepoint NetCloud is a network management and application platform that integrates cloud-based, software-defined networking with your Cradlepoint devices to improve productivity, increase reliability, and reduce costs.

NetCloud includes SD-WAN capabilities and SD-Perimeter to enhance the security and scalability of your network and business operations.

**To learn more and begin a free 30-day trial:**

[cradlepoint.com/netcloud](https://cradlepoint.com/netcloud)

Sales & Support: +1 855-813-3385

## Free Manuals Download Website

<http://myh66.com>

<http://usermanuals.us>

<http://www.somanuals.com>

<http://www.4manuals.cc>

<http://www.manual-lib.com>

<http://www.404manual.com>

<http://www.luxmanual.com>

<http://aubethermostatmanual.com>

Golf course search by state

<http://golfingnear.com>

Email search by domain

<http://emailbydomain.com>

Auto manuals search

<http://auto.somanuals.com>

TV manuals search

<http://tv.somanuals.com>