

CRAFTMADE™

TFV70REC

Recessed Vent

SAFETY INSTRUCTIONS

READ ALL INSTRUCTIONS AND SAFETY INFORMATION CAREFULLY BEFORE INSTALLING YOUR FAN AND SAVE THESE INSTRUCTIONS.

To ensure safe operation:

- Be sure unit is correctly installed and wired by a qualified installer in accordance with the instructions and applicable local and National Electrical Codes (NEC) or equivalent codes.
- Be sure operating instructions are followed and that moving parts are kept clean and free from obstructions.
- To avoid personal injury, the use of gloves may be necessary while handling fan parts with sharp edges.

WARNINGS

- To avoid fire, electrical shock and/or serious personal injury, follow all instructions carefully.
- To avoid possible electrical shock, be sure electricity is turned off at the main fuse or circuit breaker box before wiring.
- Be sure house/building is properly grounded.
- Use this unit only in the manner intended by the manufacturer. If you have questions, contact the manufacturer.
- Before servicing or cleaning this unit or installing accessories, switch power off at service panel and lock service panel to prevent power from being switched on accidentally. If the service panel cannot be locked, fasten a prominent warning device to the service panel (such as a tag).
- DO NOT mount near heat-producing equipment.
- DO NOT use this fan with any solid-state speed control device.
- When cutting or drilling into ceiling, do not damage electrical wiring or other hidden utilities.
- Ducted fans must always be vented to outdoors.
- NEVER install or place a switch where it can be reached from a tub or shower.
- NOT for use in kitchens.
- NOT for use with heating equipment, fuel-burning equipment or in chimneys.
- This unit MUST be grounded.
- Keep drywall spray and construction dirt off motor assembly to avoid damage to bearings and/or causing unbalanced impellers.
- Installation and all electrical wiring must be done by qualified person(s) in accordance with all applicable codes and standards, including fire-rated construction codes and standards.
- To reduce the risk of personal injury, mount the fan to a beam using the hardware provided with your fan.

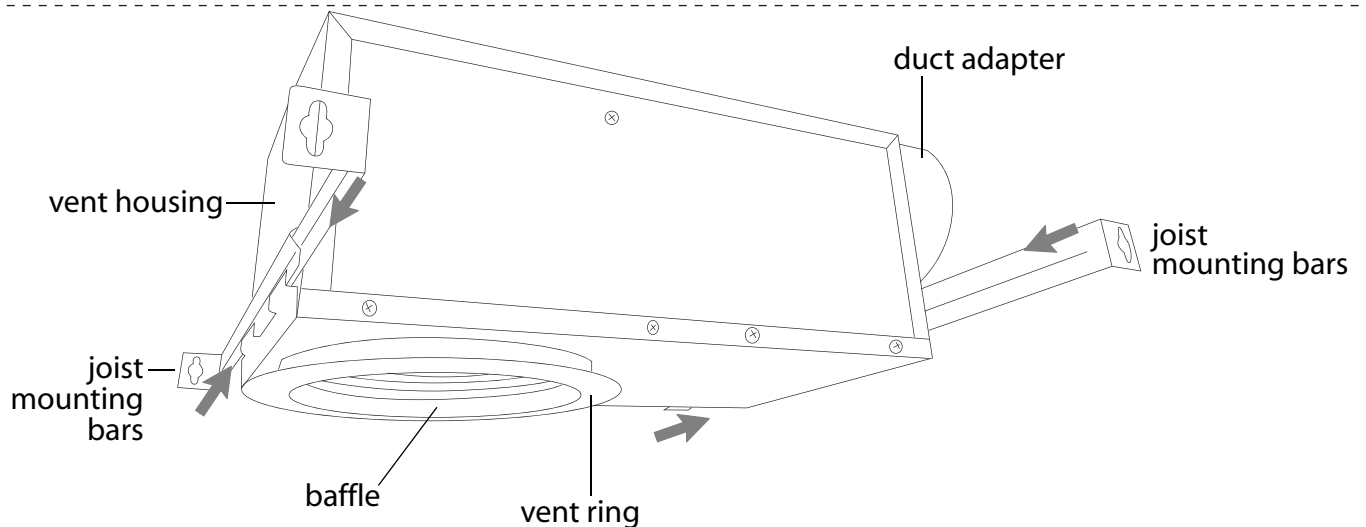
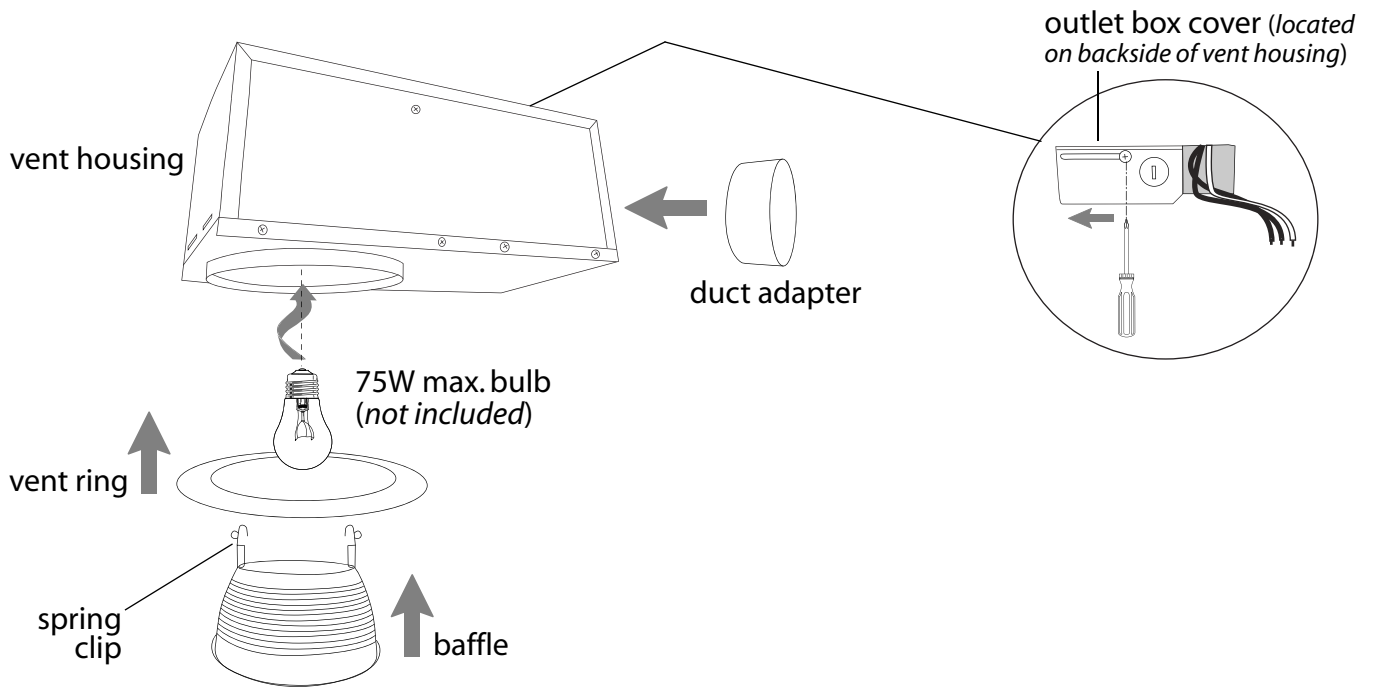


APPROVED FOR USE
IN DAMP LOCATIONS

INSTALLATION

Before beginning installation, turn off electrical power at main fuse box or circuit breaker panel.

1. Attach duct adapter to vent housing. Align locking tabs on duct adapter with holes on vent housing and snap into place. [Step #1 not applicable for ductless model as no duct adapter is included.]
2. Attach vent housing to joist with screws or nails. Vent housing is stamped to show 3/4" standard sheetrock/plaster and 3/8" for drywall. Adjust accordingly.
3. Wire with 120VAC-60Hz power leads. Find the appropriate knock-out location on the housing for doing the wiring.
4. Remove outlet box cover on housing by removing screw and sliding door.
5. Connect wires from wall switch to motor wires (and additional wires for units with light)--WHITE to WHITE, BLACK to BLACK and GREEN to GROUND. Use approved wire connectors (BX or ROMEX).
WARNING: Make certain no bare wires are exposed outside the wire connectors.
6. Replace outlet box cover on vent housing and secure with screw previously removed.
7. Install 3" or 4" duct to duct adapter and run to a roof jack or wall cap to ensure ventilation is ducted to the outside. **[Note:** This step not applicable for ductless model.]
8. Install one 75W max. standard base bulb (not included) in socket located inside vent housing.
WARNING: Wattage not to exceed maximum wattage indicated by manufacturer.
9. Install vent ring and baffle to vent housing using spring clips or screw(s) provided.
10. Restore power at the main fuse box or circuit breaker panel.



Craftmade™ Limited Warranty

Craftmade warrants all its Products to be free from defects in material and workmanship, subject to certain conditions and exclusions, for a period of one year from the date the Product was shipped to the original end use purchaser. LED product is warranted for a period of 3 years from the date purchased or shipped to the original end use purchaser. Craftmade will warranty its product only if it is sold through an authorized Craftmade dealer. Craftmade will, at its discretion, repair, replace or make appropriate adjustment where inspection discloses any defects occurring in normal usage within the applicable time period above, subject to the following conditions and exclusions. The following costs, expenses and damages are not covered by the provisions of this limited warranty: (1.) labor costs including, but not limited to, costs associated with the removal and reinstallation of Product; (2.) shipping and freight expenses required to return Product to Craftmade.

All warranties only apply to the original end use purchaser and original installation of Products. This warranty is not transferable. The provisions of this warranty to not apply to products that are used in commercial applications; used for purposes for which they are not designed or intended; which have been subjected to alteration, accidental damage, abuse, misuse, negligence or accident; which have been improperly stored, installed, maintained or operated; which have been used in violation of written instructions provided by Craftmade; which have been subjected to improper temperature, humidity or other environmental conditions; or which, based on examination by Craftmade, do not disclose to the satisfaction of Craftmade non-conformance to the warranty. Additionally, this warranty DOES NOT COVER scratches, abrasions, or deterioration due to the use of paints, solvents, chemicals or abrasive cleaning techniques. The above warranties also do not apply if: The original bill of sale, delivery date, or product number cannot be verified. The parts claimed to be defective are not returned for inspection if so requested by Craftmade. The product is not in the possession of the original end use purchaser at the time warranty claim is made.

To obtain Warranty Service, please contact Craftmade through your Lighting Dealer, Lighting Contractor, or by writing to Craftmade, Attn: Customer Service Department, 650 South Royal Lane, Coppell, TX 75019, or by calling 800.486.4892.

WARRANTY EXCLUSIONS:

Craftmade uses the best weather resistant finishes, nevertheless finishes for fixtures installed outdoors are subject to change due to prolonged exposure to sunlight, pollutants and other environmental conditions. Any claim for fading, discoloration or "pátina" of a finish on an outdoor fixture is not applicable to the above warranty. See the "Finish Care & Cleaning" instructions below for proper care and maintenance of your fixture. The environment within ten miles of a sea coast can be extremely corrosive. Even with the appropriate maintenance, products installed in this environment will typically deteriorate more than products installed in a less severe environment. Some corrosion and/or deterioration is considered "normal wear" in this environment. Any claim for finish failures or for corrosion of other components due to coastal environment conditions is not applicable to the above warranty. We cannot warranty our Direct Burial Poles due to environmental issues such as moisture, soil acidity and other corrosive soil and air conditions.

Craftmade strives to assure that glass and metal finishes shown in our catalogs match the actual product, but chemical finish variations and hand applied finishes can result in differences between the actual product and printed images.

Craftmade does not authorize any person to create for it any obligation or liability in connection with its Products. The maximum liability is limited to the original purchase price of the product. No action arising out of any claimed breach of this warranty by Craftmade may be brought by the Original User more than one (1) year after the cause of action has arisen. IMPLIED WARRANTIES INCLUDING THAT OF MERCHANTABILITY AND FITNESS FOR A PARTICULAR PURPOSE ARE EXPRESSLY LIMITED TO THE DURATION OF THIS WARRANTY. CRAFTMADE AND/OR SELLER DISCLAIMS ANY LIABILITY FOR SPECIAL, INCIDENTAL OR CONSEQUENTIAL DAMAGES. This warranty gives you specific legal rights, and you may also have other rights which vary from state to state. Some states do not allow limitations on incidental or consequential damages or how long an implied warranty lasts, so that the above limitations may not fully apply to you. Refer to your local laws for your specific rights under this warranty.

FINISH CARE & CLEANING:

Initial care for finishes requires periodic cleaning with a soft cloth, dampened with water. A mild non-abrasive soap may be used along with a soft cloth and water if the fixture is very dirty. Particular care should be taken to avoid abrasive materials and strong cleaning agents as they will quickly destroy the protective coatings and subject the finish to oxidation and discoloration.

SERVICE CENTER
650 ROYAL LANE, SUITE 100, COPPELL, TX 75019
TEL: 1-800-486-4892; FAX: 877-304-1728
WWW.CRAFTMADE.COM

Free Manuals Download Website

<http://myh66.com>

<http://usermanuals.us>

<http://www.somanuals.com>

<http://www.4manuals.cc>

<http://www.manual-lib.com>

<http://www.404manual.com>

<http://www.luxmanual.com>

<http://aubethermostatmanual.com>

Golf course search by state

<http://golfingnear.com>

Email search by domain

<http://emailbydomain.com>

Auto manuals search

<http://auto.somanuals.com>

TV manuals search

<http://tv.somanuals.com>