

Save This Manual  
For Future Reference

**SEARS**  
owners  
manual  
MODEL NO.

**113.206932**  
JOINTER/PLANER WITH  
LEGS AND MOTOR

**113.206891**  
JOINTER/PLANER WITH  
LEGS AND MOTOR

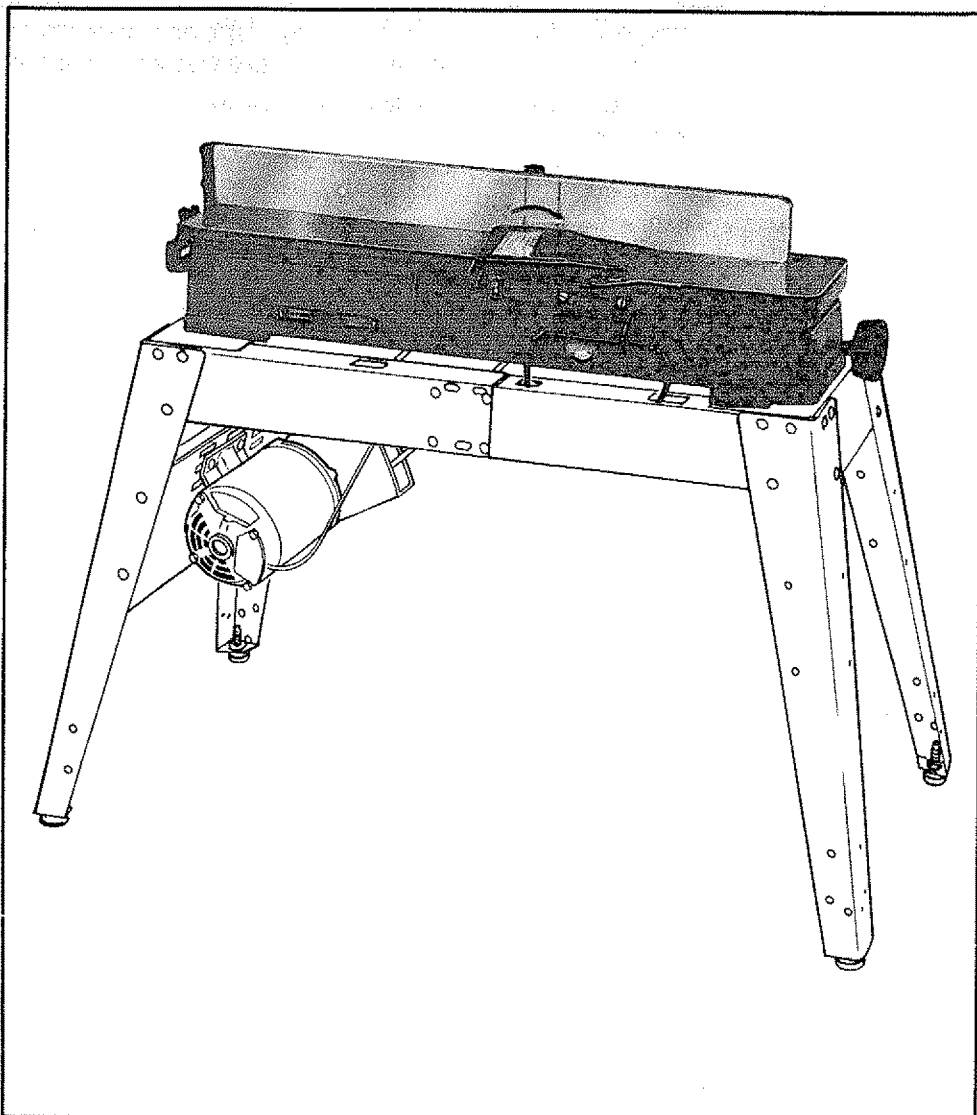
Serial  
Number \_\_\_\_\_

Model and serial  
number may be found  
on a plate attached  
to your base.

You should record both  
model and serial number  
in a safe place for  
future use.

**CAUTION:**

Read ALL  
INSTRUCTIONS  
carefully



# CRAFTSMAN

## 6-1/8-INCH JOINTER-PLANER

- *assembly*
- *operating*
- *repair parts*

Sold by SEARS, ROEBUCK AND CO., Chicago, IL. 60684 U.S.A.

## FULL ONE YEAR WARRANTY ON CRAFTSMAN JOINTER/PLANER

If within one year from the date of purchase, this Craftsman Jointer/Planer falls due to a defect in material or workmanship, Sears will repair it, free of charge.

WARRANTY SERVICE IS AVAILABLE BY SIMPLY CONTACTING THE NEAREST SEARS SERVICE CENTER/DEPARTMENT THROUGHOUT THE UNITED STATES.

THIS WARRANTY APPLIES ONLY WHILE THIS PRODUCT IS IN USE IN THE UNITED STATES.

This warranty gives you specific legal rights, and you may also have other rights which vary from state to state.

SEARS, ROEBUCK AND CO., DEPT. 698/731A Sears Tower, Chicago, IL 60684

# general safety instructions for power tools

- 1. KNOW YOUR POWER TOOL**  
Read and understand the owner's manual and labels affixed to the tool. Learn its application and limitations as well as the specific potential hazards peculiar to this tool.
- 2. GROUND ALL TOOLS**  
This tool is equipped with an approved 3-conductor cord and a 3-prong grounding type plug to fit the proper grounding type receptacle. The green conductor in the cord is the grounding wire. Never connect the green wire to a live terminal.
- 3. KEEP GUARDS IN PLACE,**  
in working order, and in proper adjustment and alignment.
- 4. REMOVE ADJUSTING KEYS AND WRENCHES**  
Form habit of checking to see that keys and adjusting wrenches are removed from tool before turning it on.
- 5. KEEP WORK AREA CLEAN**  
Cluttered areas and benches invite accidents. Floor must not be slippery due to wax or sawdust.
- 6. AVOID DANGEROUS ENVIRONMENT**  
Don't use power tools in damp or wet locations or expose them to rain. Keep work area well lighted. Provide adequate surrounding work space.
- 7. KEEP CHILDREN AWAY**  
All visitors should be kept a safe distance from work area.
- 8. MAKE WORKSHOP CHILD-PROOF**  
— with padlocks, master switches, or by removing starter keys.
- 9. DON'T FORCE TOOL**  
It will do the job better and safer at the rate for which it was designed.
- 10. USE RIGHT TOOL**  
Don't force tool or attachment to do a job it was not designed for.
- 11. WEAR PROPER APPAREL**  
Do not wear loose clothing, gloves, neckties or jewelry (rings, wrist watches) to get caught in moving parts. Nonslip footwear is recommended. Wear protective hair covering to contain long hair. Roll long sleeves above the elbow.
- 12. USE SAFETY GOGGLES (Head Protection)**  
Wear Safety goggles (must comply with ANSI Z87.1) at all times. Everyday eyeglasses only have impact resistant lenses, they are NOT safety glasses. Also, use face or dust mask if cutting operation is dusty, and ear protectors (plugs or muffs) during extended periods of operation.
- 13. SECURE WORK**  
Use clamps or a vise to hold work when practical. It's safer than using your hand, frees both hands to operate tool.
- 14. DON'T OVERREACH**  
Keep proper footing and balance at all times.
- 15. MAINTAIN TOOLS WITH CARE**  
Keep tools sharp and clean for best and safest performances. Follow instructions for lubricating and changing accessories.
- 16. DISCONNECT TOOLS**  
before servicing; when changing accessories such as blades, bits, cutters, etc.
- 17. AVOID ACCIDENTAL STARTING**  
Make sure switch is in "OFF" position before plugging in.
- 18. USE RECOMMENDED ACCESSORIES.**  
Consult the owner's manual for recommended accessories. Follow the instructions that accompany the accessories. The use of improper accessories may cause hazards.
- 19. NEVER STAND ON TOOL**  
Serious injury could occur if the tool is tipped or if the cutting tool is accidentally contacted. Do not store materials above or near the tool such that it is necessary to stand on the tool to reach them.
- 20. CHECK DAMAGED PARTS**  
Before further use of the tool, a guard or other part that is damaged should be carefully checked to ensure that it will operate properly and perform its intended function. Check for alignment of moving parts, binding of moving parts, breakage of parts, mounting, and any other conditions that may effect its operation. A guard or other part that is damaged should be properly repaired or replaced.
- 21. DIRECTION OF FEED**  
Feed work into a blade or cutter against the direction of rotation of the blade or cutter only.
- 22. NEVER LEAVE TOOL RUNNING UNATTENDED**  
Turn power off. Don't leave tool until it comes to a complete stop.

# additional safety instructions for jointer-planer

Safety is a combination of operator common sense and alertness at all times when the Jointer-Planer is being used.

**WARNING: FOR YOUR OWN SAFETY, DO NOT ATTEMPT TO OPERATE YOUR JOINTER-PLANER UNTIL IT IS COMPLETELY ASSEMBLED AND INSTALLED ACCORDING TO THE INSTRUCTIONS . . . AND UNTIL YOU HAVE READ AND UNDERSTOOD THE FOLLOWING.**

	PAGE
1. GENERAL SAFETY INSTRUCTIONS FOR POWER TOOLS . . . . .	2
2. GETTING TO KNOW YOUR JOINTER-PLANER	11
3. BASIC MACHINE OPERATION . . . . .	17
4. USE OF HOLD-DOWN/PUSH BLOCKS . . . . .	18
5. MAINTENANCE . . . . .	19
6. STABILITY OF MACHINE	

If there is any tendency for the Jointer-Planer to tip over or move during certain operations such as when planing or jointing long heavy boards, the Jointer-Planer (stand) should be bolted to the floor.

## 7. LOCATION

The Jointer-Planer should be positioned so neither the operator nor a casual observer is forced to stand in line with the wood while it is being planed.

This machine is intended for indoor use only. Provide adequate lighting.

## 8. KICKBACKS

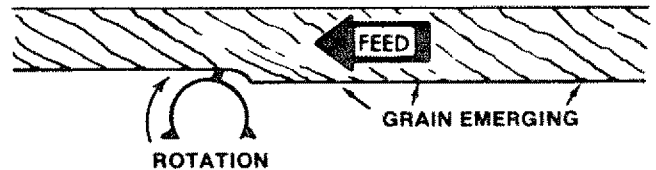
Kickbacks can cause serious injury. A kickback occurs when the operator loses control of the workpiece causing it to be kicked back toward him.

Kickbacks - and possible injury from them can usually be avoided by:

- Holding the workpiece firmly against tables and fence.
- Not taking too deep a cut at one time. A deep cut requires more effort to feed the wood while planing and can cause the wood to kickback. A cut between 1/32 and 1/16 of an inch deep will produce the best results.
- Not jointing, planing, or beveling pieces of wood smaller than recommended. (See section in this manual, "Basic Jointer-Planer Operations.") Smaller pieces of wood can tip over on the tables, or into the cutter head and can be kicked back toward you.
- Keeping blades sharp. Blades that are dull or nicked require more effort while planing and will tend to pound the wood rather than cut it, which can cause the wood to kickback. A nicked blade will cut a ridge in your wood and cause the wood to ride up on the outfeed table. Make sure the cutter blades are installed properly, and cutter blade wedge screws are tight.

## 9. PROTECTION: EYES, HANDS, FACE, EARS, BODY

- If any part of your jointer is malfunctioning, has been damaged or broken . . . such as the motor switch, or other operating control, a safety device or the power cord . . . cease operating immediately until the particular part is properly repaired or replaced.
  - Wear safety goggles that comply with ANSI Z87.1 and a face shield if operation is dusty. Wear ear plugs or muffs during extended periods of operation.
  - Do not plane, joint, or bevel wood shorter than 12 in. Smaller pieces of wood can tip over on the tables, or into the cutterhead and be kicked back toward you.
  - Always use the hold down/push block when jointing or beveling wood narrower than 3 in. but never joint or bevel wood narrower than 3/4 in., or less than 1/4 inch thick.
  - Always use the hold down/push blocks when planing wood thinner than 3 in. but never plane wood thinner than 1/2 in. under any circumstances.
  - Avoid awkward hand positions, where a sudden slip could cause a hand to move into the cutters.
  - Never turn your Jointer-Planer "ON" before clearing the table(s) of all objects (tools, scraps of wood, etc.) except for the workpiece and related feed or support devices for the operation planned.
  - Make sure the cutterhead revolves in the right direction, (toward the infeed table).
  - KEEP CUTTER GUARD IN PLACE AND OPERATING PROPERLY AT ALL TIMES.** Regularly check the tension of the cutter guard spring to assure satisfactory operation. (See Getting To Know Your Jointer-Planer section.)
  - Always feed the wood completely through the cutter head and past the cutter guard so that the guard returns to the rest position against the fence. When using only one hold down/push block to feed the wood, do not place your other hand on the Jointer-Planer.
  - Always maintain complete control of the workpiece and provide adequate support for long and heavy workpieces.
10. Warped wood should be surface planed on the concave side for best results.
11. To avoid a rough planed surface, determine if possible, which way the grain emerges from the wood and feed the wood accordingly.



12. Do not plane edges of plywood, composition materials, or wood that has glue on it or is painted or varnished. Planing these materials will dull the blades quickly.

## additional safety instructions for jointer-planer

13. To be sure you will make a depth of cut as planned, always lower the infeed table slightly beyond the depth wanted, then raise the table to the desired depth.
14. When planing, jointing, or beveling wood over four (4) feet long, make sure it is supported at table height.
15. Never leave the Jointer-Planer work area with the power on, before the Jointer-Planer has come to a complete stop, or without removing and storing the switch key.
16. Never operate the Jointer-Planer with protective cover on the unused shaft end of the motor removed.
17. Do not attempt to perform an abnormal or little-used operation without study and the use of adequate hold down/push blocks, jigs, fixtures, stops, etc.
18. DO NOT perform layout, assembly, or setup work on the table while the cutting tool is rotating.

**WARNING: THE 2" JOINTER-PLANER PULLEY AND THE 2-1/2" MOTOR PULLEY FURNISHED WILL RUN THE CUTTER HEAD AT APPROXIMATELY 4300 RPM**

**WHEN USED WITH A 3450 RPM MOTOR. NEVER SUBSTITUTE OTHER PULLEYS TO INCREASE THIS SPEED BECAUSE IT COULD BE DANGEROUS.**

**WARNING: DO NOT ALLOW FAMILIARITY (GAINED FROM FREQUENT USE OF YOUR JOINTER-PLANER) TO BECOME COMMONPLACE. ALWAYS REMEMBER THAT A CARELESS FRACTION OF A SECOND IS SUFFICIENT TO INFLICT SEVERE INJURY.**

19. Read and follow the instructions appearing on the danger label on the cutter guard.

### DANGER — FOR YOUR OWN SAFETY

READ AND UNDERSTAND OWNER'S MANUAL BEFORE OPERATING MACHINE

1. WEAR SAFETY GOGGLES PER ANSI Z87.1 AT ALL TIMES.
2. NEVER PERFORM A JOINTING OR PLANING OPERATION WITH CUTTER HEAD OR DRIVE GUARD REMOVED.
3. NEVER MAKE A JOINTING OR PLANING CUT DEEPER THAN 1/8 INCH.
4. ALWAYS USE HOLD DOWN/PUSH BLOCKS FOR JOINTING MATERIAL NARROWER THAN 3 INCHES, OR PLANING MATERIAL THINNER THAN 3 INCHES.



The operation of any power tool can result in foreign objects being thrown into the eyes, which can result in severe eye damage. Always wear safety goggles complying with ANSI Z87.1 (shown on Package) before commencing power tool operation. Safety Goggles are available at Sears retail or catalog stores.

## contents

POWER TOOL GUARANTEE .....	2	Fence Locks and Stops .....	12
GENERAL SAFETY INSTRUCTIONS FOR		Fence Tilt Scale .....	12
POWER TOOLS .....	2	Cutter Guard .....	13
ADDITIONAL SAFETY INSTRUCTIONS FOR		Infeed Table .....	14
JOINTER-PLANER .....	3	On-Off Switch .....	16
MOTOR SPECIFICATIONS AND ELECTRICAL		BASIC JOINTER-PLANER OPERATION .....	17
REQUIREMENTS .....	5	Feeding the Workpiece .....	17
Connecting to Power Source Outlet .....	5	Using the Hold Down/Push Blocks .....	18
Check Motor Rotation .....	5	Beveling .....	19
UNPACKING AND CHECKING CONTENTS .....	6	MAINTENANCE .....	19
ASSEMBLY .....	7	Replacing Cutter Blades .....	19
Assembling Steel Legs .....	7	Installing Cutter Guard Spring .....	21
Mounting Jointer-Planer On Recommended		Sharpening Cutter Blades .....	23
Craftsman Leg Set .....	8	GENERAL MAINTENANCE .....	23
Checking Cutterblades and Screws .....	8	LUBRICATION .....	23
Mounting Switch .....	9	MOTOR MAINTENANCE AND LUBRICATION .....	24
Installing Motor, Pulley, V-Belt and Belt Guards .....	9	TROUBLE-SHOOTING .....	24
Installing Sliding Guard .....	10	REPAIR PARTS .....	26
GETTING TO KNOW YOUR JOINTER-PLANER .....	11	RECOMMENDED ACCESSORIES .....	31
Depth of Cut Handwheel .....	11		

# motor specifications and electrical requirements

This machine is designed to use a 3450 RPM motor only. Do not use any motor that runs faster than 3450 RPM. It is wired for operation on 110-120 volts, 60 Hz., alternating current. IT MUST NOT BE CONVERTED TO OPERATE ON 230 VOLTS. EVEN THOUGH SOME OF THE RECOMMENDED MOTORS ARE DUAL VOLTAGE.

THESE CRAFTSMAN MOTORS HAVE BEEN FOUND TO BE ACCEPTABLE FOR USE ON THIS TOOL.

HP	RPM	VOLTS	CATALOG NO.
1/2	3450	110-120	1216
1/2	3450	110-220	1218
3/4	3450	110-120	1219
3/4	3450	110-120	1226

**CAUTION:** Do not use blower or washing machine motors or any motor with an automatic reset overload protector as their use may be hazardous.

## CONNECTING TO POWER SOURCE OUTLET

This machine must be grounded while in use to protect the operator from electric shock.

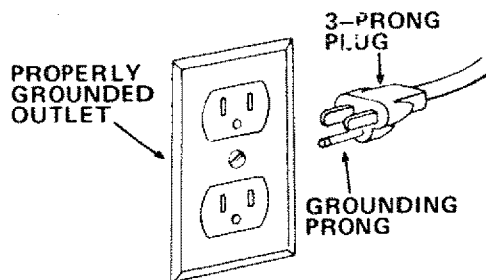
Plug power cord into a 110-120V properly grounded type outlet protected by a 15-amp, dual element time delay or Circuit-Saver fuse or circuit breaker.

If you are not sure that your outlet is properly grounded, have it checked by a qualified electrician.

**WARNING:** DO NOT PERMIT FINGERS TO TOUCH THE TERMINALS OF PLUGS WHEN INSTALLING OR REMOVING THE PLUG TO OR FROM THE OUTLET.

**WARNING:** IF NOT PROPERLY GROUNDED THIS POWER TOOL CAN INCUR THE POTENTIAL HAZARD OF ELECTRICAL SHOCK. PARTICULARLY WHEN USED IN DAMP LOCATIONS IN PROXIMITY TO PLUMBING. IF AN ELECTRICAL SHOCK OCCURS THERE IS THE POTENTIAL OF A SECONDARY HAZARD SUCH AS YOUR HANDS CONTACTING THE CUTTING BLADE.

If power cord is worn or cut, or damaged in any way, have it replaced immediately.



This power tool is equipped with a 3-conductor cord and grounding type plug listed by Underwriters' Laboratories Association. The ground conductor has a green jacket and is attached to the tool housing at one end and to the ground prong in the attachment plug at the other end.

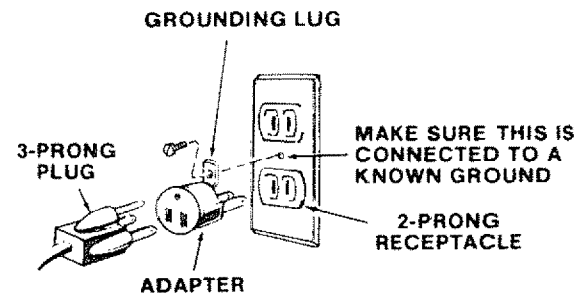
This plug requires a mating 3-conductor grounded type outlet as shown.

If the outlet you are planning to use for this power tool is of the two prong type DO NOT REMOVE OR ALTER THE GROUNDING PRONG IN ANY MANNER. Use an adapter as shown and always connect the grounding lug to known ground.

It is recommended that you have a qualified electrician replace the TWO prong outlet with a properly grounded THREE prong outlet.

A temporary adapter as shown below is available for connecting plugs to 2-prong receptacles. The green grounding lug extending from the adapter must be connected to a permanent ground such as to a properly grounded outlet box.

A temporary adapter as illustrated is available for connecting plugs to 2-prong receptacles. The temporary adapter should be used only until a properly grounded outlet can be installed by a qualified electrician.



**WARNING:** THE GREEN GROUNDING LUG EXTENDING FROM THE ADAPTER MUST BE CONNECTED TO A PERMANENT GROUND SUCH AS TO A PROPERLY GROUNDED OUTLET BOX. NOT ALL OUTLET BOXES ARE PROPERLY GROUNDED.

If you are not sure that your outlet is properly grounded, have it checked by a qualified electrician.

**NOTE:** The adapter illustrated is for use only if you already have a properly grounded 2-prong receptacle.

The use of any extension cord will cause some loss of power. To keep this to a minimum and to prevent overheating and motor burn-out, use the table below to determine the minimum wire size (A.W.G.) extension cord. Use only 3 wire extension cords which have 3 prong grounding type plugs and 3-pole receptacles which will accept the plug on the saw.

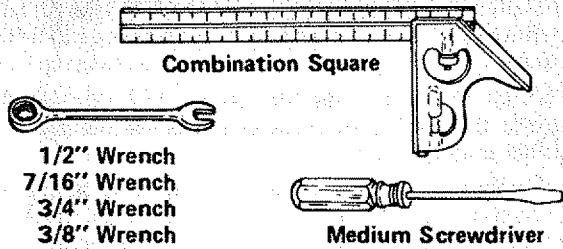
Extension Cord Length	Wire Size Required (American Wire Gauge No.)	
	120 V. Lines	
0-25 Ft.	16	
26-50 Ft.	14	
51-100 Ft.	12	

## CHECK MOTOR ROTATION

Place the motor on your workbench or on the floor. Standing clear of the motor shaft, plug the motor cord into a properly grounded outlet. Notice the rotation of the shaft. As you look directly at the motor shaft it should be turning in the counterclockwise direction. If the motor shaft is turning counterclockwise, remove the plug from the power outlet and continue the assembly procedures. If the motor is turning clockwise, remove the plug from the power outlet and follow the instructions on the motor label to reverse the rotation of the motor shaft.

# unpacking and checking contents

## TOOLS NEEDED



Models 113.206932 and 113.206891 Jointer-Planer are shipped complete in one carton and INCLUDE Steel Legs and Motor.

Model 113.206801 Jointer/Planer is shipped complete in one carton but DOES NOT INCLUDE steel legs or motor. Separate all parts from packing materials and check each one with the illustration and the list of Loose Parts to make certain all items are accounted for, before discarding any packing material.

If any parts are missing, do not attempt to assemble the jointer/planer, plug in the power cord or turn the switch on until the missing parts are obtained and are installed correctly.

Remove the protective oil that is applied to all unpainted metal surfaces. Use any ordinary household type grease and spot remover.

**WARNING: Never use gasoline, naphtha or similar highly volatile solvents.**

Apply a coat of paste wax to the table.

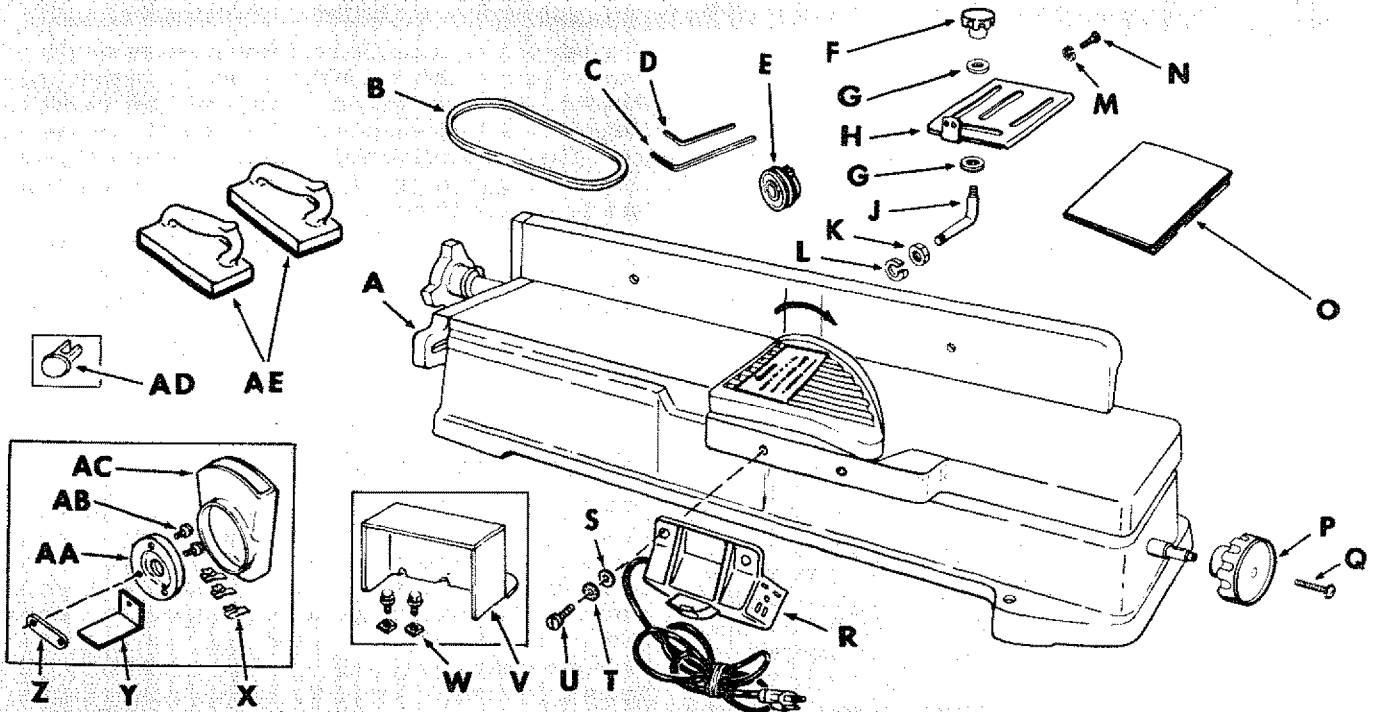
Wipe all parts thoroughly with a clean, dry cloth.

**WARNING: FOR YOUR OWN SAFETY, NEVER CONNECT PLUG TO POWER SOURCE OUTLET UNTIL ALL ASSEMBLY STEPS ARE COMPLETE, AND YOU HAVE READ AND UNDERSTAND THE SAFETY AND OPERATIONAL INSTRUCTIONS.**

## TABLE OF LOOSE PARTS

Item No.	Description	Qty.
A	Jointer-Planer	1
B	V-Belt, 1/2 x 52"	1
*C	5/32 Setscrew Wrench	1
*D	1/8 Setscrew Wrench	1
*E	Motor Pulley, 2-1/2" Dia.	1
*F	Sliding Guard Knob	1
*G	Concave Plastic Washer	2
H	Sliding Guard	1
*J	Sliding Guard Rod	1
*K	Nut, 1/2-13.	1
*L	Lockwasher, 1/2	1
*M	Lockwasher, No. 10	2
*N	Screw, Pan Hd., 10-32 x 1/4	2
O	Owners Manual	1
*P	Depth of Cut Handwheel	1
*Q	Screw, Sems, 1/4-20 x 1-1/4	1
R	On/Off Power Outlet	1
*S	Washer, 17/64 x 1/2 x 1/32	2
*T	Lockwasher, External 1/4	2
*U	Screw, Pan Hd. 1/4-20 x 1/2	2
V	Jointer-Planer Belt Guard	1
*W	Attaching Hardware (2 Nuts, 2 Bolts)	
X	Belt Guard Clips	3
Y	Bracket, Mounting	1
Z	Belt Guard Support Bracket	1
AA	Belt Guard Support	1
AB	Screw Pan Hd. 10-32 x 1/2	2
AC	Motor Pulley Belt Guard	1
AD	Switch Key	1
AE	Hold Down/Push Block	2

\*Supplied in Loose Parts Bag #67092

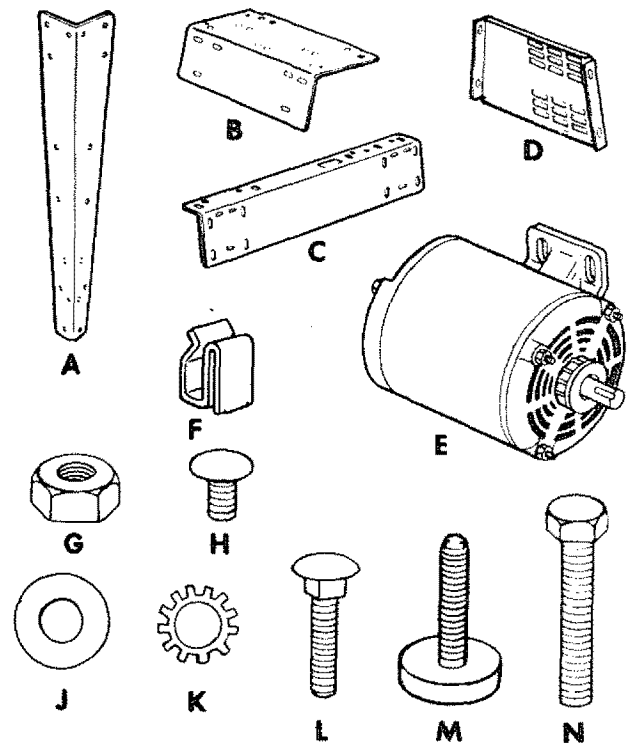


# unpacking and checking contents

## TABLE OF LOOSE PARTS

The Following Parts Are Included With Models 113.206891 and 113.206932

Item No.	Description	Qty.
A	Leg	4
B	End Stiffener	2
C	Side Stiffener	4
D	Motor Support	1
E	Motor	1
Package of Miscellaneous Small Parts, No. 67035, Consisting of the Following:		
F	Cord Clip	2
G	Hex Nut, 1/4 in. — 20 (approx. dia. of hole 1/4 in.)	40
G	Hex Nut, 5/16 in. — 18 (approx. dia. of hole 5/16 in.)	7
G	Hex Nut, 1/2 in. — 13 (approx. dia. of hole 1/2 in.)	8
H	Truss Hd. Screw, 1/4 in. — 20 x 5/8 in. long. (Top of screw is rounded)	40
J	Flat Washer (dia. of hole 11/32 in.)	7
K	Lockwasher, 1/4 in. External Type (approx. dia. of hole 1/4 in.)	40
K	Lockwasher, 5/16 in. External Type (approx. dia. of hole 5/16 in.)	7
L	Carriage Bolt, 5/16 in. — 18 x 3/4 long	3
M	Leveling Foot	4
N	Hex Hd. Screw, 5/16 in. — 18 x 2 in.	3



## assembly

### ASSEMBLING STEEL LEGS

**NOTE:** Steel legs are furnished with Model 113.206932 and 113.206891.

From among the loose parts, find the following Hardware:

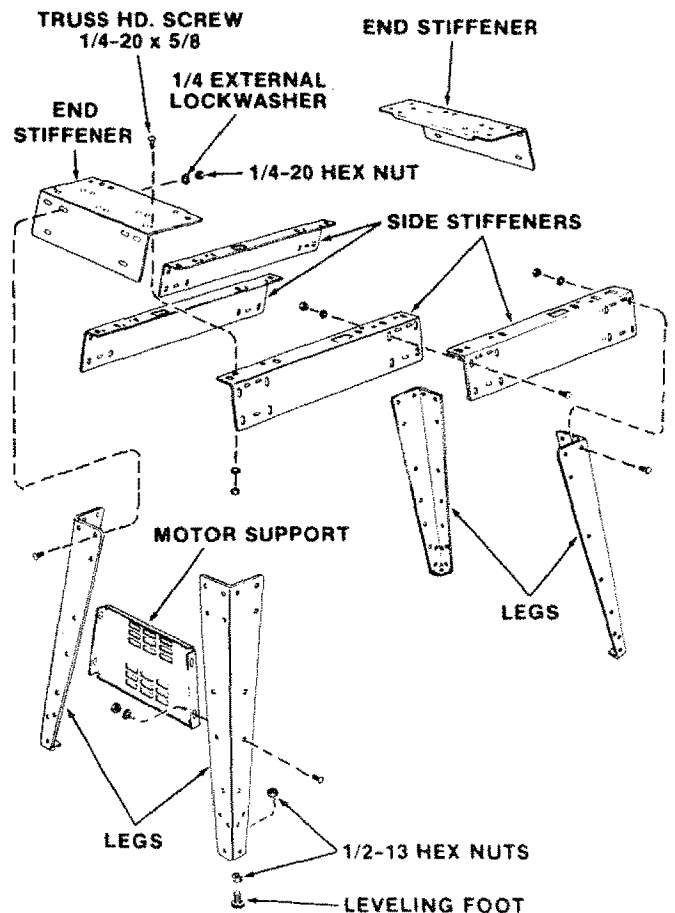
- 40 Truss Head Screws, 1/4-20 x 5/8
- 40 Lockwashers, 1/4-External
- 40 Hex Nuts, 1/4-20
- 8 Hex Nuts, 1/2-13
- 4 Leveling Feet

1. Assemble two (2) Side Stiffeners together using four (4) 1/4-20 Truss head screws, lockwasher and nuts. Make two (2) Side Stiffener assemblies.

The End Stiffeners are placed on top and at each end of Side Stiffener assemblies as shown. Align holes, letter coded "B" (see page 8) in Side Stiffeners and End Stiffeners and then insert 1/4-20 Truss head screws through the 9/32 diameter holes and install lockwashers and nuts and then tighten.

2. Assemble the four (4) Legs to the Side and End Stiffeners using 1/4-20 screws, lockwashers and nuts as shown.
3. Assemble the Motor Support to the Legs with 1/4-20 screws, lockwashers and nuts. Motor Support can be assembled to either end of Leg set.
4. Install leveling feet as shown. To level Leg Set, loosen nut on inside of leg and turn nut on the outside to raise or lower feet. Adjust all four leveling feet, if necessary, and then tighten nuts on the inside of leg.

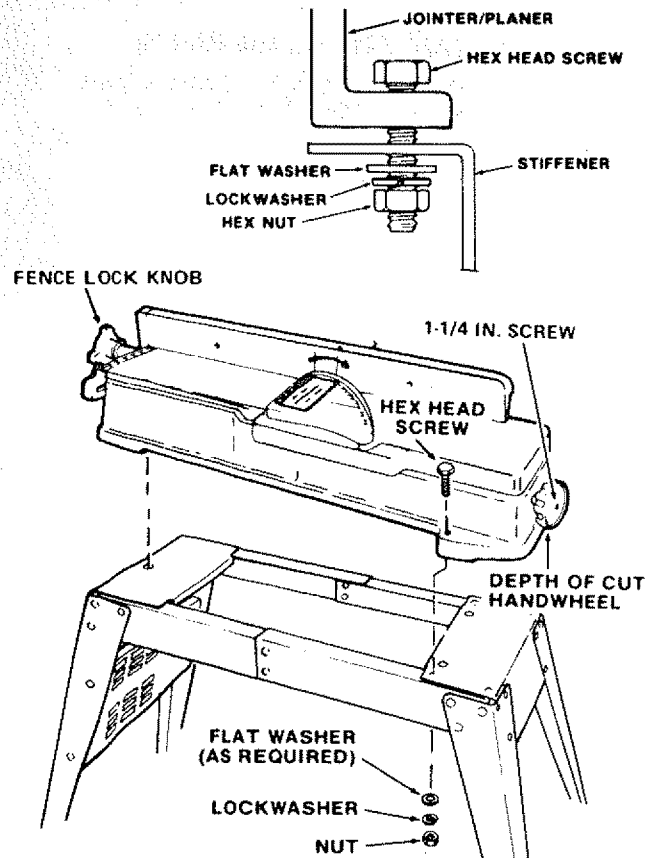
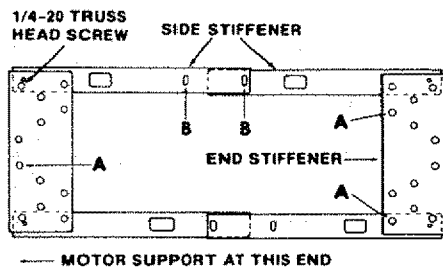
**NOTE:** These levelers are not intended for height adjustment.



# assembly

## MOUNTING JOINTER-PLANER

1. From among the loose parts, find the following hardware:
  - 4 Carriage Bolts, 5/16-18 x 3/4
  - 3 Hex Head Screws, 5/16-18 x 2
  - 7 Lockwashers, 5/16 in. External Type
  - 7 Washers, 11/32 ID
  - 7 Hex Jam Nuts, 5/16-18
  - 2 Cord Clips
2. Loosen FENCE LOCK KNOB. Tilt fence upward and slide it toward the pulley.
3. Position machine on Leg Set and align mounting holes in machine with holes in Leg Set letter coded "A". Mount with three (3) 5/16-18 x 2" Long Hex Head Screws.
4. Place a flat washer, a lock washer and a nut on each screw from underneath the stand and tighten.
5. Place handwheel on shaft aligning flat surfaces on shaft with flat surfaces on handwheel . . . attach with 1-1/4 in. screw.



## CHECKING CUTTER BLADES AND SCREWS

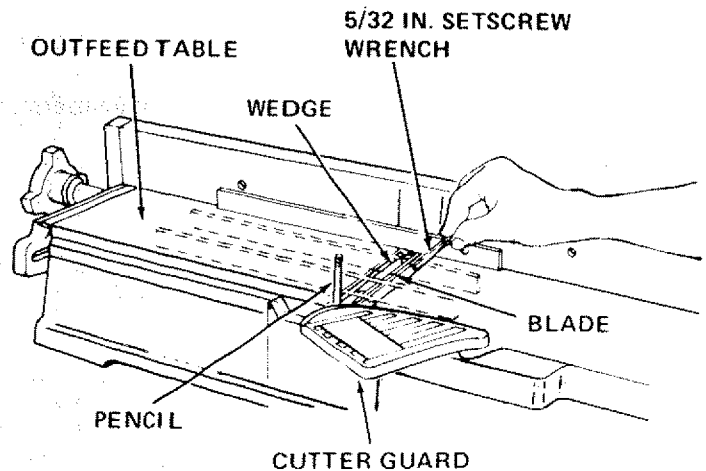
### TOOLS NEEDED

5/32" and 1/8" Setscrew Wrenches (furnished with Jointer).

Lead Pencil

Short straight edge (or head of combination square)

1. Insert pencil in space at end of cutterhead to hold cutterhead guard open.
2. Lower the infeed table with the Depth of Cut Handwheel.
3. Rest the straight edge on edge on the surface of outfeed table so it extends across the opening between the tables, at three positions: near each end and at the middle of the cutter blade.
4. Rotate the cutterhead by grasping the 2" dia. driven pulley and make sure each knife nicks (touches) the straight edge at all three positions. If not, follow procedure under "REPLACING CUTTER BLADES" on pgs. 19 thru 21.
5. If a cutter blade adjustment is not required, check each locking screw of each wedge (5/32" setscrew wrench) and tighten if necessary. Hold the pulley while tightening screws and be careful that your fingers do not slip off the wrench.





## MOUNTING SWITCH

1. Locate the following parts:

1 On/Off Power Outlet  
2 Pan Hd. Screws, 1/4-20 x 1/2

2 Lockwashers, External 1/4

2 Washers, 17/64 x 1/2 x 1/32

2. Attach On/Off outlet to infeed table using two tapped holes.

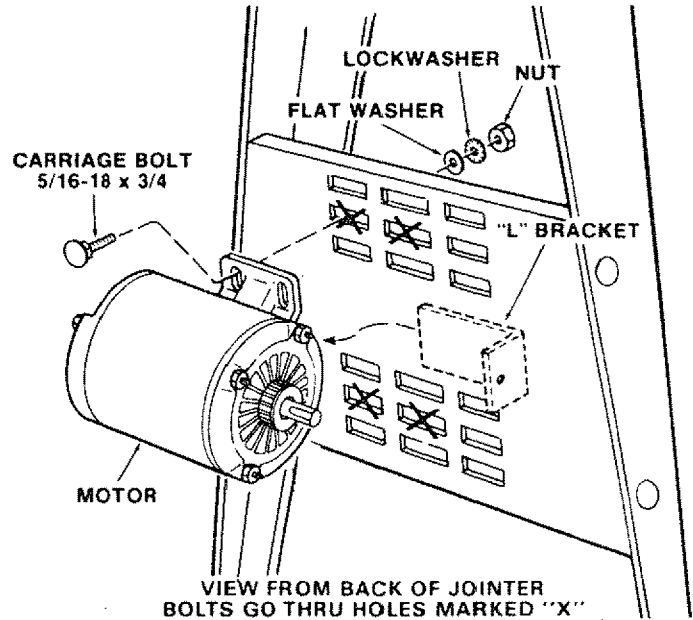
## INSTALLING MOTOR, PULLEY, V-BELT AND BELT GUARDS

1. Locate the following parts:

### Qty. Description

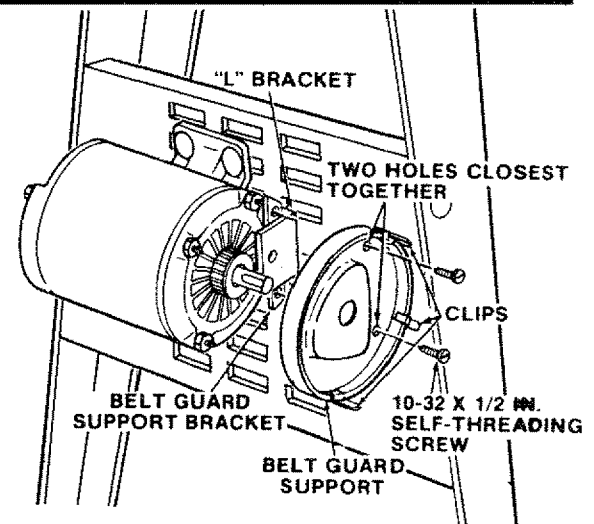
- 1 Motor
- 1 "L" Bracket
- 1 Pulley (Approx. 2-1/2" Dia.)
- 1 V-Belt 1/2 x 52
- 4 Carriage Bolt 5/16-18 x 3/4
- 4 Flat Washer 5/16 I.D.
- 4 Lockwasher 5/16 I.D.
- 4 Hex Nut 5/16-18
- 1 Guard Assembly including a guard support, guard support bracket, self-threading screws, and clips.

2. Place motor against the motor mounting bracket and insert bolts through holes in motor base and then through holes marked "X" in motor mounting bracket. **DO NOT TIGHTEN BOLTS AT THIS TIME.** The "L" bracket which holds the guard support must be slid between the motor base and the motor mounting

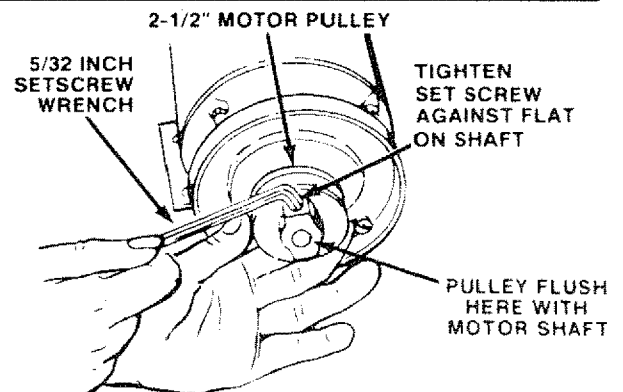


bracket so motor must be loosely assembled to bracket at this time.

3. Slide long leg of "L" bracket between motor base and motor mounting bracket. Then sandwich the short leg of the "L" bracket between the guard support bracket and the guard support and loosely fasten together with self-threading screws as shown. Install clips onto belt guard support with long end of clip facing you.

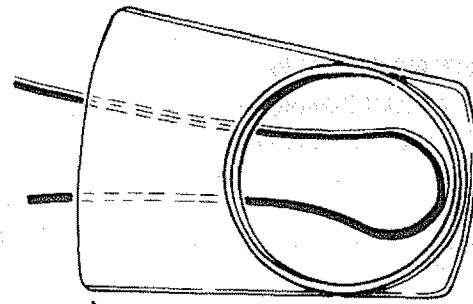


4. Install the 2-1/2" pulley onto the motor shaft and tighten the set screw in the pulley hub against the flat part of the motor shaft.

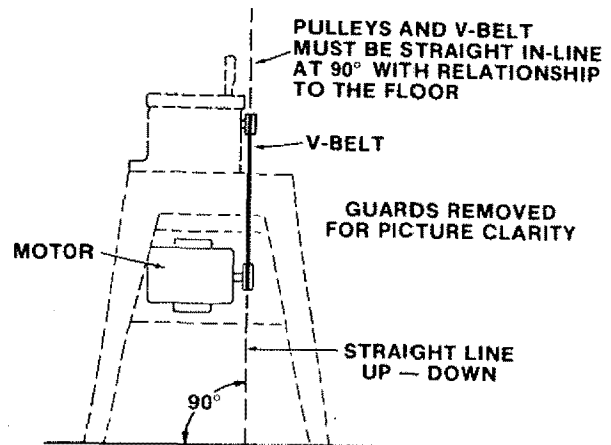


# assembly

5. Push V-Belt through belt guard just enough to loop belt around motor pulley. Place belt around motor pulley but do not push guard onto guard support at this time.
6. Position other end of V-Belt onto cutter head pulley.



7. Visually line up both pulleys and V-Belt until they are perpendicular to the floor by sliding motor sideways as needed.
8. Press down hard on motor to put tension on the V-Belt and tighten the motor mounting bolts at this time.
9. Check guard support before tightening motor support screws to be sure it is centered around motor shaft and will not rub against shaft when motor is running. Tighten screws.
10. Push motor pulley belt guard into position onto guard support.
11. Plug motor cord into outlet on switch box installed earlier through hole provided in stand.
12. Fasten cord along front side stiffener using the two cord clips.



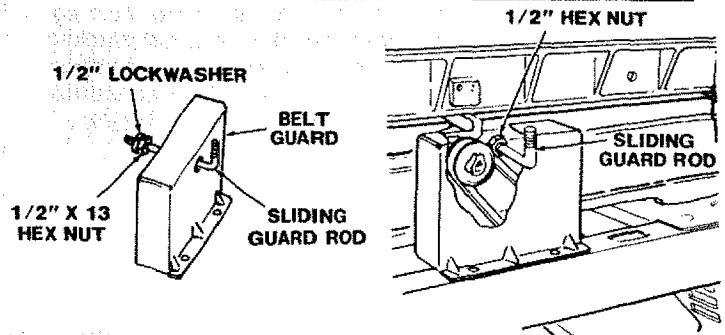
## INSTALLING SLIDING GUARD

### PARTS NEEDED

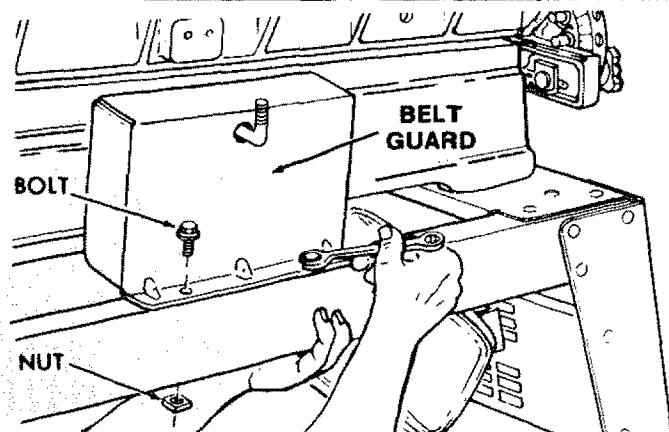
- 1 Sliding Guard
- 1 Sliding Guard Knob
- 1 Sliding Guard Rod
- 2 Sliding Guard Washers (one side of washer is concave)
- 2 Hex Hd. Screws 1/4-20 x 1/2"

- 2 Hex Nuts 1/4-20
- 1 Hex Nut 1/2 in. - 13
- 1 Split lockwasher 1/2 in.
- 2 Ext. tooth lockwashers
- 2 10-32 x 1/4 Pan Hd. Screws
- 1 Belt Guard

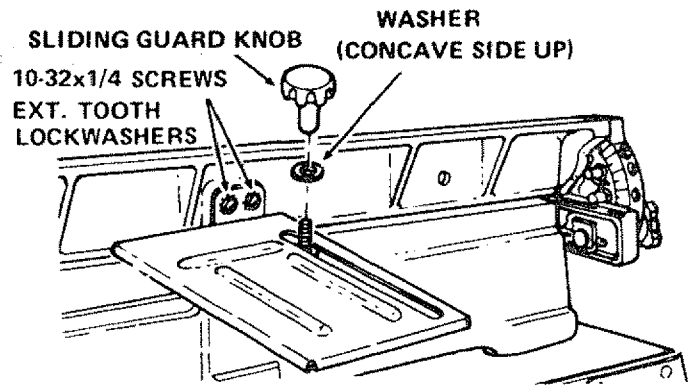
1. Position the sliding guard rod through the opening in the belt guard as illustrated.
2. Screw 1/2" nut all the way onto long end of rod . . . place 1/2" lockwasher next to nut (as illustrated).
3. Screw the sliding guard rod into the jointer as far as it will go with the short end of rod pointing straight up.
4. Tighten the 1/2" nut to hold the rod securely in this position.



5. Attach guard to stand with hex hd. screws and nuts. Make sure belt does not scrape guard.

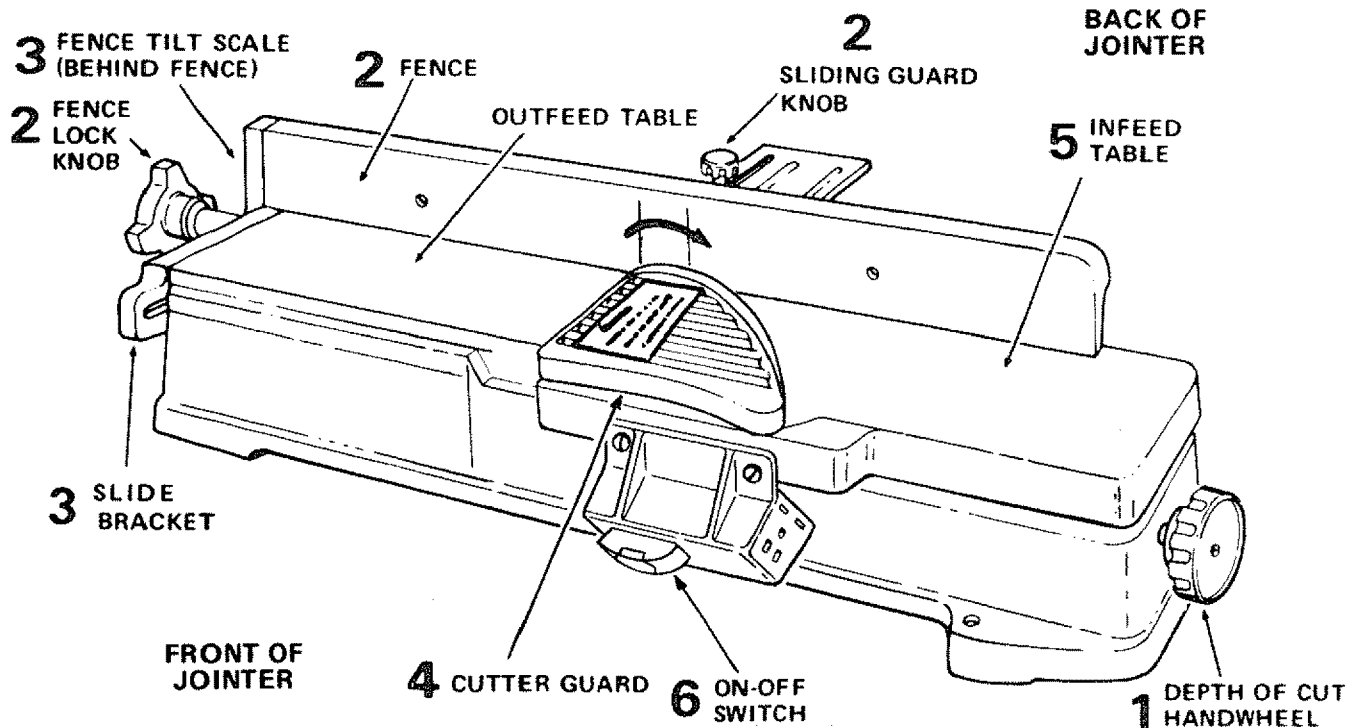


6. Attach sliding guard to fence with two pan head screws and lockwashers.
7. Place one Sliding Guard Washer, concave side DOWN on support rod.
8. Drop sliding guard onto rod . . . place other washer, concave side UP on rod . . . screw on Sliding Guard Knob.

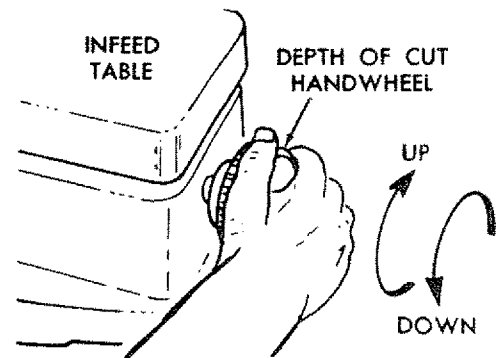


## getting to know your jointer-planer

**WARNING: FOR YOUR OWN SAFETY TURN SWITCH "OFF" AND REMOVE PLUG FROM POWER SOURCE OUTLET BEFORE MAKING ANY ADJUSTMENTS.**



1. **DEPTH OF CUT HANDWHEEL.** Turning the hand-wheel counterclockwise will lower the infeed table to maximum depth of 1/8 in.



# getting to know your jointer-planer

**2. FENCE LOCKS AND STOPS.** The fence can be moved across the Jointer to take full advantage of the "sharpness" of the blades.

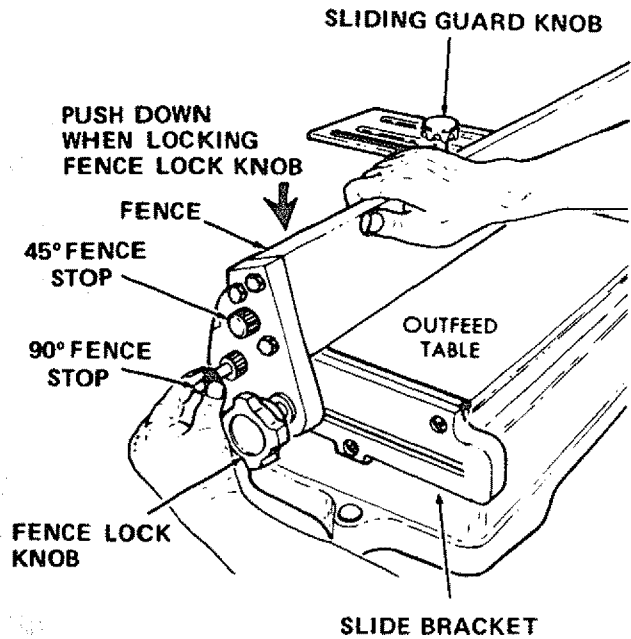
The fence should be positioned to the extreme right (toward pulley) but not beyond the end of the blades.

Most of the cutting (usually jointing) will be done with the fence in this position. As the blades become dull, the fence can be moved toward the left where the blades are sharper.

To move the fence, loosen the Fence Lock Knob and the Sliding Guard Knob and slide to desired position.

Make sure SLIDE BRACKET is even with surface of OUTFEED TABLE. If it is above or below the surface, loosen screws and adjust it.

- a. Always tighten fence lock knob first to align fence, then tighten sliding guard knob.
- b. Before tightening fence lock knob, hold fence down on outfeed table so it does not rock.
- c. 90° Fence Stop positions fence square to tables. To tilt fence, loosen the fence lock knob and sliding lock knob and pull the stop out. Tilt to desired angle and tighten both knobs.
- d. To set fence at 90° to tables, loosen the two knobs, tilt fence so the stop springs back into place. Tilt fence back so the stop rests on the table and tighten both knobs.
- e. 45° Fence Stop positions the fence at 45° to the tables.
- f. To tilt fence to 45° loosen the two knobs, pull 90° stop out, tilt fence so the 45° stop rests on the table.
- g. Hold fence down on outfeed table and tighten the two knobs.

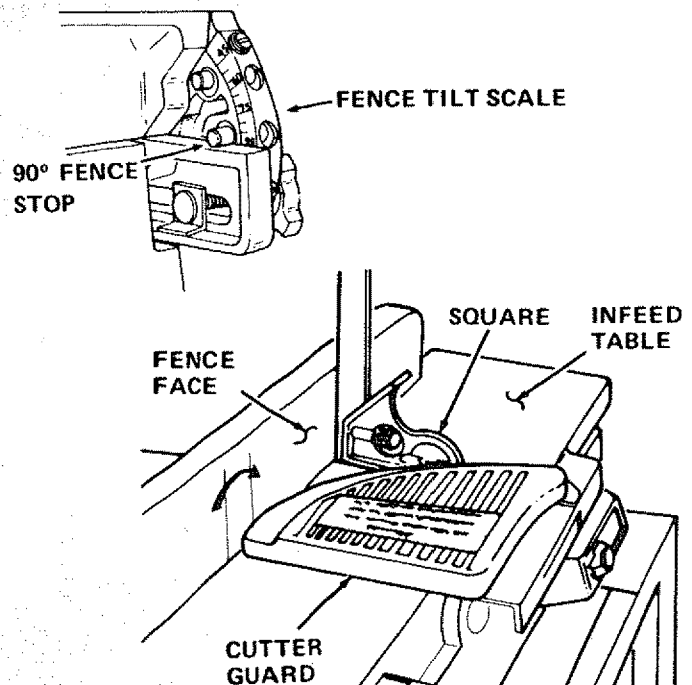


**3. FENCE TILT SCALE.** Indicates the angle of the fence to the tables. When the 90° fence stop is correctly adjusted, the fence will be 90° to the table and the scale will read 90°.

To check for squareness, place an accurate square on infeed table and check fence while locked at 90° position. MAKE SURE 90° STOP IS AGAINST SLIDE BRACKET.

If fence is not square to table:

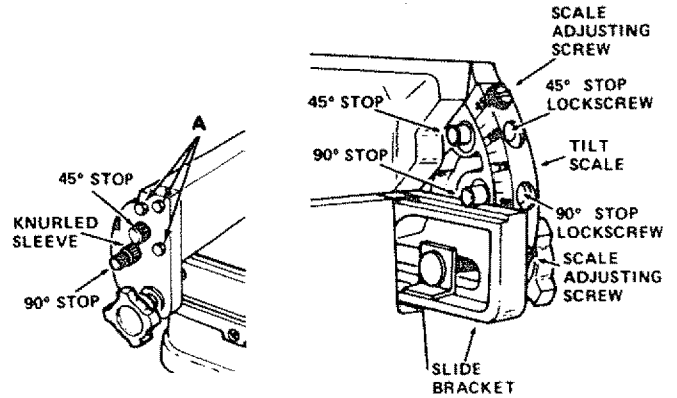
- a. Slightly loosen fence lock knob and guard lock knob.



- b. Loosen 90° stop screw with small screwdriver and turn knurled sleeve which will cause fence to tilt. Turn sleeve in either direction until fence is square with infeed table.

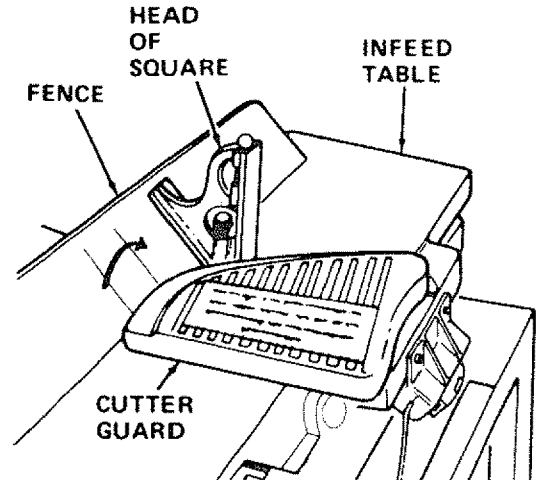
**NOTE:** If you cannot square fence by turning knurled sleeve, loosen three screws "A" and adjust fence square to table.

- c. Tighten 90° stop lockscrew and both fence lock knobs.  
 d. If 90° reading on tilt scale does not line up with top surface of the slide bracket, loosen screws holding scale and move it . . . tighten screws.



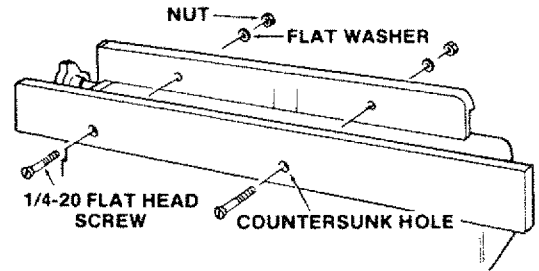
- e. Adjust 45° stop in the same manner.

**NOTE:** Tilt scale will not require adjustment if it was adjusted for 90° position.



### AUXILIARY FENCE

Some on-edge and other jointing operations require a higher and/or longer fence than your tool provides. Select a piece of smooth straight wood of the height and length required for proper support and bolt it to the tool fence as shown for these operations.



## 4. WARNING:

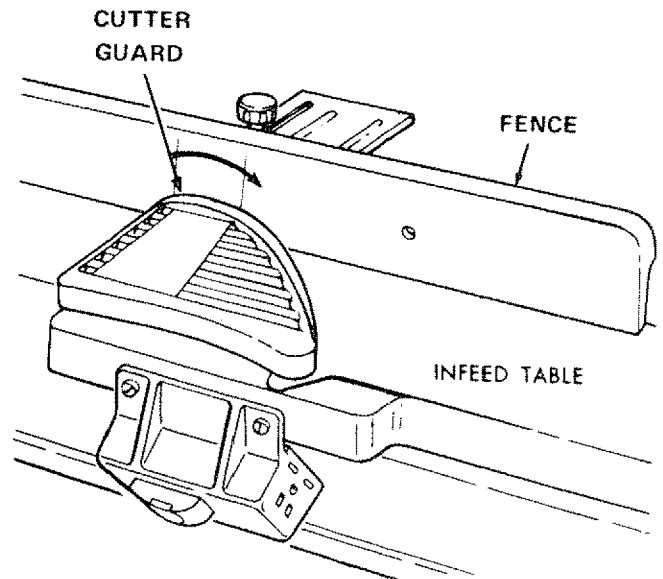
**CUTTER GUARD.** Provides protection over the cutter head. It must always be in place and functioning properly.

Check the guard to make sure it is functioning properly.

- Position fence to right for maximum width of cut.
- Pass a 1/4 in. thick piece of wood over cutterhead between guard and fence.

Guard must return automatically to "rest position" against fence when free of the wood.

If guard does not return automatically, see Trouble Shooting and Maintenance Sections.



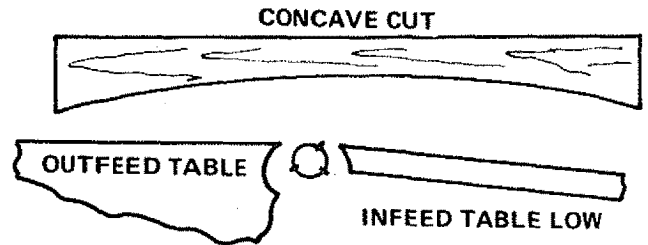
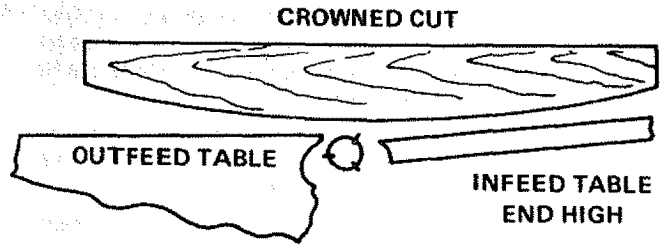
# getting to know your jointer-planer

## 5. INFEEED TABLE: MUST ALWAYS BE PARALLEL TO THE OUTFEED TABLE.

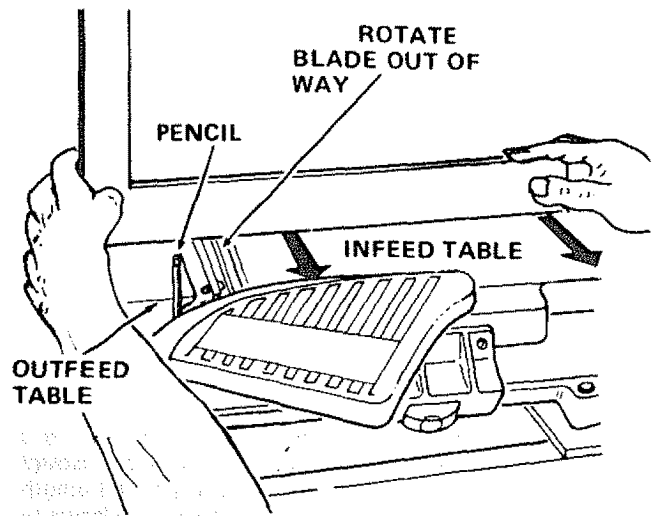
If the cut edge or surface of the workpiece is **CROWNED**, it is an indication that the **OUTWARD END** of the **INFEEED** table is **HIGH** and must be adjusted.

If the cut edge or surface of the workpiece is **CONCAVE**, it is an indication that the **OUTWARD END** of the **INFEEED** table is **LOW** and must be adjusted.

Check the infeed table to determine the "out of parallel" condition.



- Insert a pencil in space at end of cutterhead to hold cutterguard open.
- Place a straightedge (large square or long level) on outfeed table. First along one side than along the other.
- Raise infeed table until it touches straightedge.
- Sight between table and straightedge to determine high or low condition of end of infeed table.

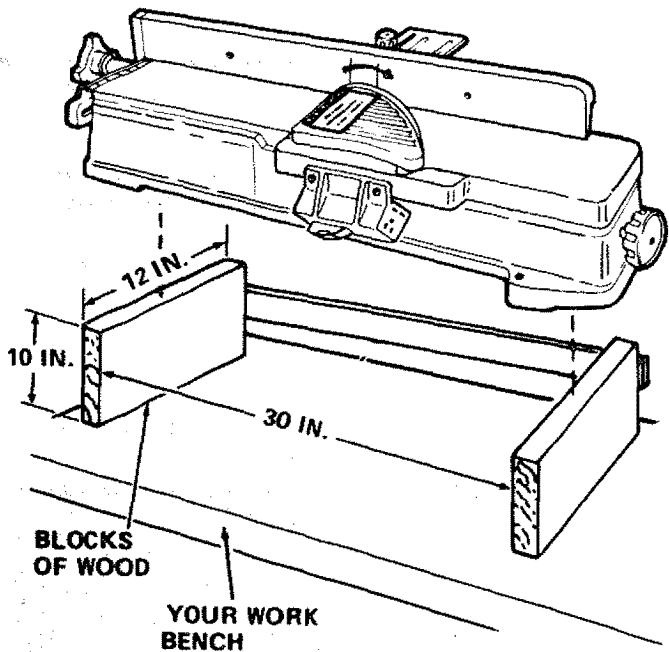


It is easier to adjust the infeed table while the Jointer is setting on your workbench.

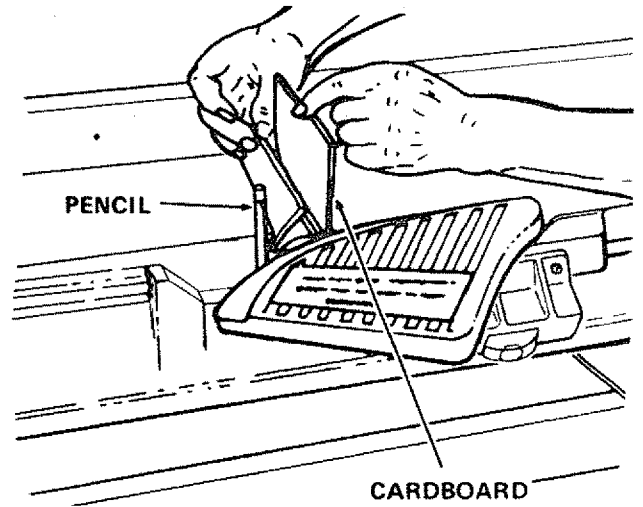
Do not turn the Jointer on its side or upside down to adjust it.

**WARNING: Attach a strip of wood to two blocks of wood 10 in. high. Drive enough nails into the strip so that Jointer does not tip over while resting on blocks causing possible injury.**

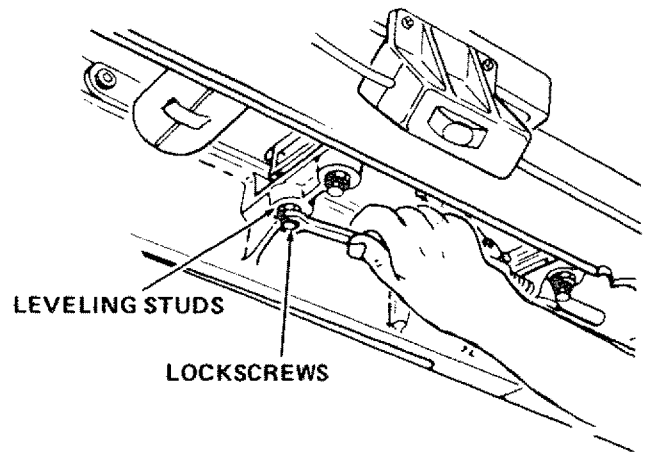
- Remove motor cord from outlet in switch box.
- Remove Jointer pulley guard and V-belt.
- Remove Jointer from stand.
- Place Jointer on blocks.



- e. Insert a pencil in space at end of cutterhead to hold cutterguard open.
- f. Wrap a piece of cardboard around cutterhead to protect your fingers and the blades . . . secure cardboard with a piece of tape.



- h. Loosen four lock screws 2 or 3 turns with 1/2 in. wrench.

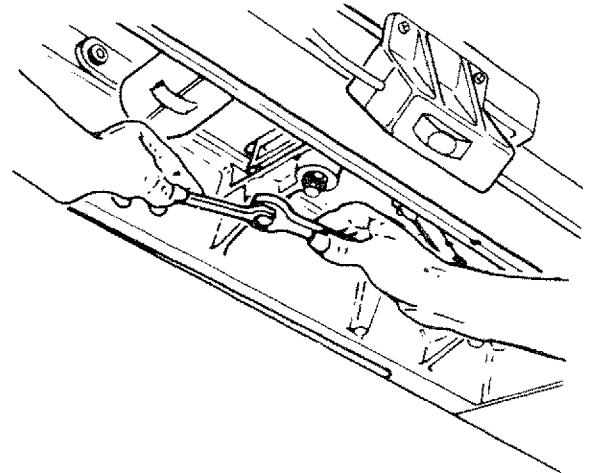


VIEW LOOKING UP FOR PARTS IDENTIFICATION

Turning the LEVELING STUDS will RAISE or LOWER the infeed table.

SCREWING in the studs will RAISE the table . . . UNSCREWING them will LOWER the table.

- a. With a 3/4 in. wrench turn leveling studs until infeed table is parallel with straightedge.
- b. While holding studs with wrench, TIGHTEN all four LOCKSCREWS . . . tighten each screw a little bit at a time until all four screws are tight.
- c. Recheck with straightedge to make sure infeed table (in raised and lowered positions) is parallel to outfeed table.



# getting to know your jointer-planer

**WARNING:** Do not connect power supply to machine until you are sure motor rotation is correct. See page 5.

**6. ON-OFF SWITCH:** It is unlikely that it will be turned "ON" accidentally, when touched or bumped, because of the way it is shaped.

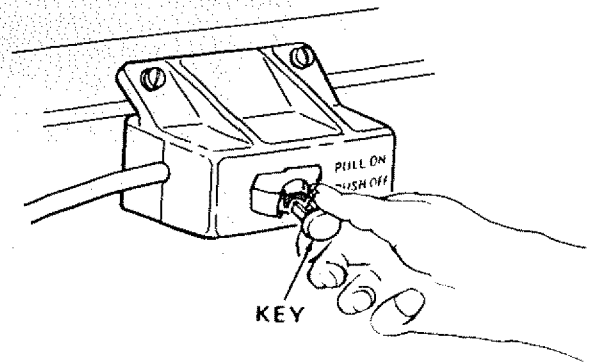
In an emergency, it can be turned "OFF" by striking it with the palm of the hand.

The "yellow button" is a key. when inserted in the switch lever, the power may be turned ON and OFF. When it is removed, the power cannot be turned ON.

**THIS FEATURE IS INTENDED TO PREVENT UNAUTHORIZED AND POSSIBLE HAZARDOUS USE BY CHILDREN AND OTHERS.**

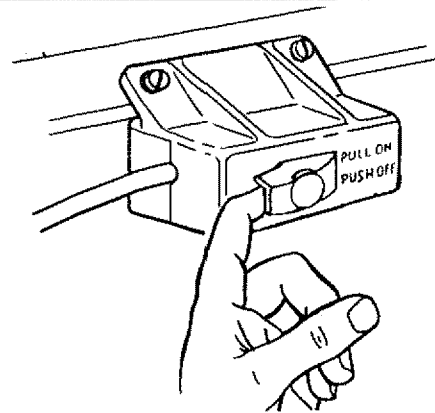
a. Insert Key into switch.

**NOTE:** Key is made of yellow plastic.



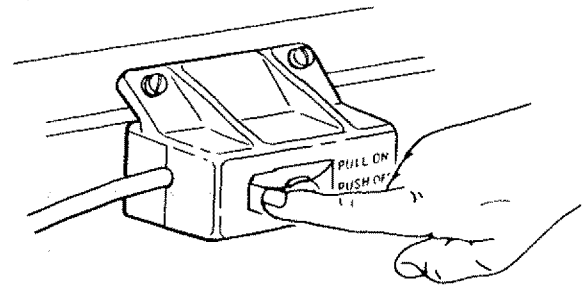
**NOTE:** Key is made of yellow plastic.

b. To turn machine on, insert finger under switch lever and pull end of switch out.



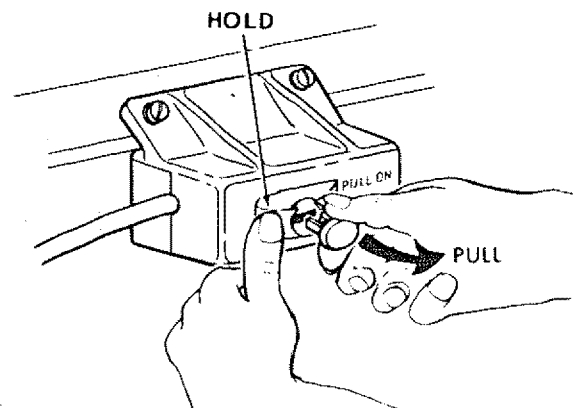
c. To turn machine OFF . . . PUSH lever in.

Never leave machine unattended until it has come to a complete stop.



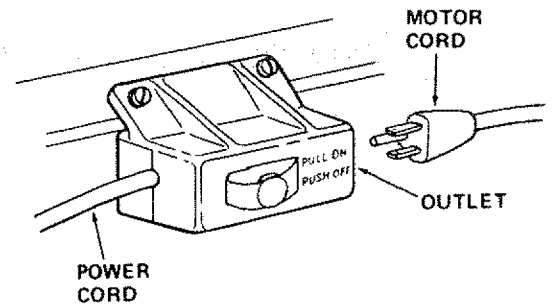
d. To lock switch in OFF position . . . hold switch IN with one hand . . . REMOVE key with other hand.

**WARNING: FOR YOUR OWN SAFETY, ALWAYS LOCK THE SWITCH "OFF" WHEN MACHINE IS NOT IN USE . . . REMOVE KEY AND KEEP IT IN A SAFE PLACE . . . ALSO . . . IN THE EVENT OF A POWER FAILURE (ALL OF YOUR LIGHTS GO OUT) TURN SWITCH OFF . . . AND REMOVE THE KEY. THIS WILL PREVENT THE MACHINE FROM STARTING UP AGAIN WHEN THE POWER COMES BACK ON.**





e. Plug motor cord into outlet in switch box.



## basic jointer-planer operation

**WARNING:** For your own safety, **ALWAYS** use the hold down/push blocks when **JOINTING** wood that is **NARROWER** than 3 in. . . . or when **PLANING** wood that is **THINNER** than 3 in.

Do not plane, joint or bevel wood shorter than 12 in. Material this short is more difficult to control while being cut. Small pieces of wood can tip over on the tables or into

the cutterhead and can be kicked back toward you.

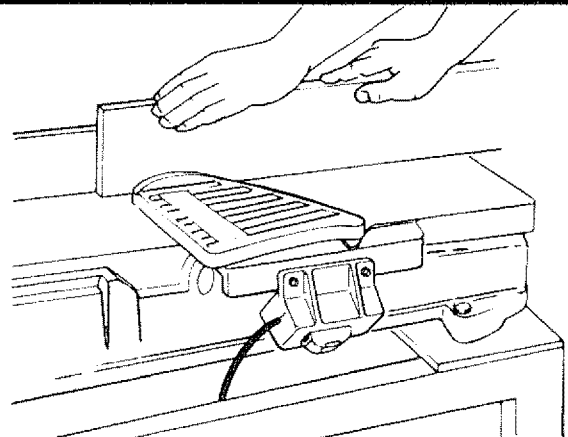
**For your own safety, never operate this tool with the fence or guards removed.**

For best results, take light cuts. For average planing, jointing, or beveling, a cut between 1/32 and 1/16 in. deep will produce the best results.

### FEEDING THE WORKPIECE

Hold the board firmly **DOWN** on both tables and **AGAINST** the fence . . . keep fingers close together.

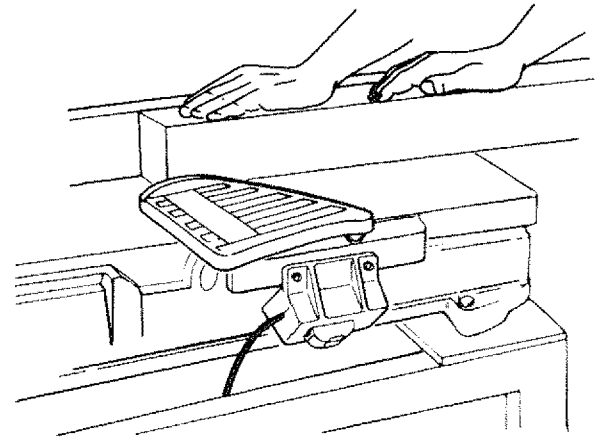
Feed the board at a continuous even rate of speed until the cut is made along the entire length of the board. Any hesitation or stopping could cause a "step" to be cut on the edge of the board which would cause the board to ride up on the outfeed table resulting in a "crooked" edge on the board.



JOINTING WOOD THAT IS WIDER THAN 3 IN.

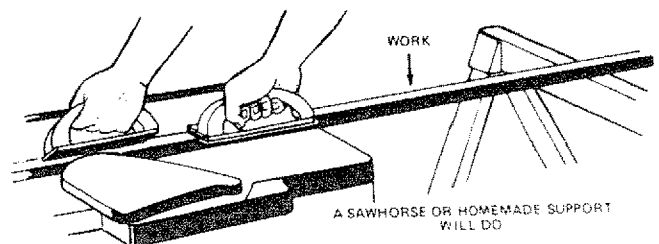
As the **RIGHT** hand passes over the cutterhead, remove the **LEFT** hand . . . **CONTINUE** feeding while placing the **LEFT** hand behind the **RIGHT**. Continue feeding in this manner "hand over hand", until the entire length of the board is cut. Pressure should be applied over the cutterhead and outfeed table.

**DO NOT FEED TOO FAST.** A slow steady rate of feed produces a smooth accurate cut. Feeding too fast causes a "rippled" cut . . . makes it difficult to guide the workpiece accurately and could be hazardous.



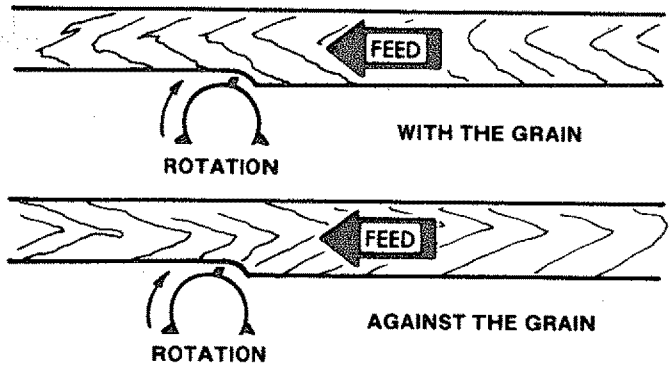
PLANING WOOD THAT IS THICKER THAN 3 IN.

### SUPPORT LONG WORKPIECES



# basic jointer-planer operation

Always feed **WITH THE GRAIN** whenever possible. If the nature of the workpiece is such that it must be fed **AGAINST THE GRAIN**, take very light cuts and feed slowly.



## USING THE HOLD DOWN/PUSH BLOCKS

**ALWAYS** use the hold down/push blocks when **JOINTING** wood that is **NARROWER** than 3 in. or planing wood that is thinner than 3 in. (as illustrated).

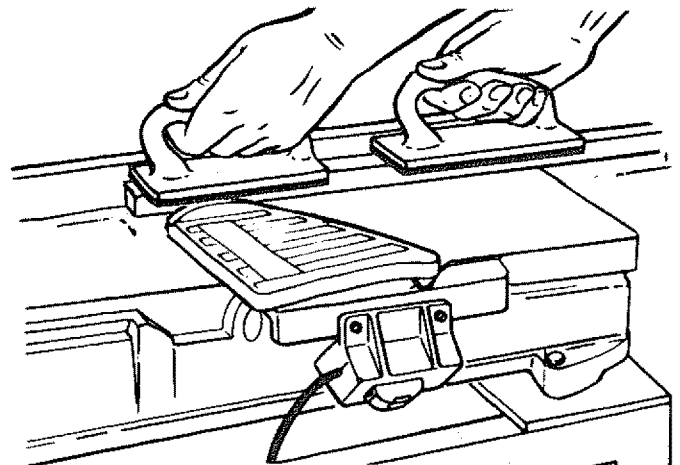
Grasp the hold down/push blocks firmly with the fingers close together and wrapped around the handle. Position them flat on top of workpiece, and push the workpiece down against the table to provide a quality cut and minimize the chance of a kickback.

Hold-down pressure must also be sufficient to prevent hold-down/push block sliding or slipping on the top face of workpiece when advancing workpiece over cutter head.

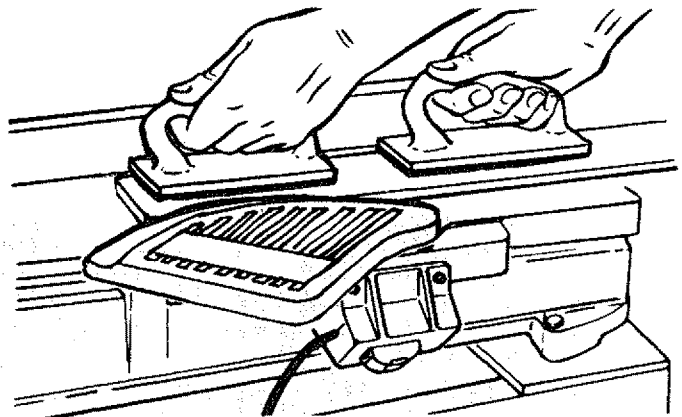
Use a hand over hand motion of the hold down/push blocks being careful to maintain control over the workpiece at all times.

This means that once the workpiece has been fed past cutter head onto outfeed table, one hold down/push block must always maintain contact of workpiece with outfeed table.

**WARNING:** If the **HOLD DOWN/PUSH BLOCKS** tend to slip while feeding, clean rubber surface immediately with sandpaper.



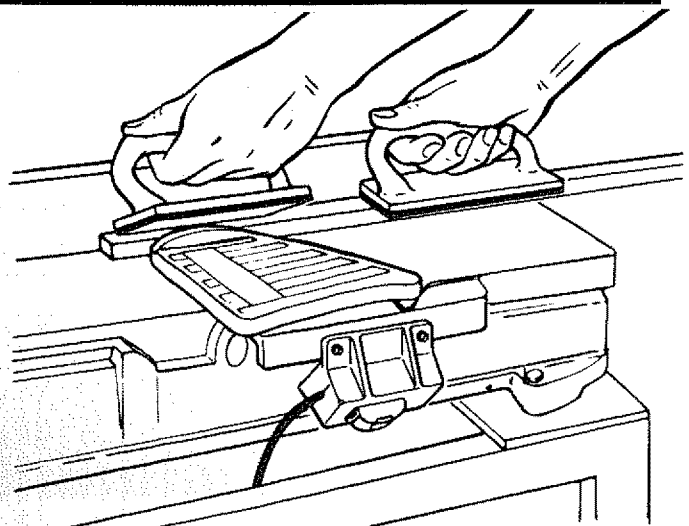
**JOINTING WOOD NARROWER THAN 3"**



**PLANING WOOD THINNER THAN 3"**

When planing wood  $\frac{3}{4}$  in. thick and **NARROWER** than the hold down/push block, tilt the hold down/push block so that it clears the top of the cutterguard while feeding.

Never plane wood that is thinner than  $\frac{1}{2}$  in. . . . because it is apt to split or shatter and thus has a greater tendency to kickback.



## BEVELING

Adjust the fence to the desired angle . . . tighten fence and guard lock knobs.

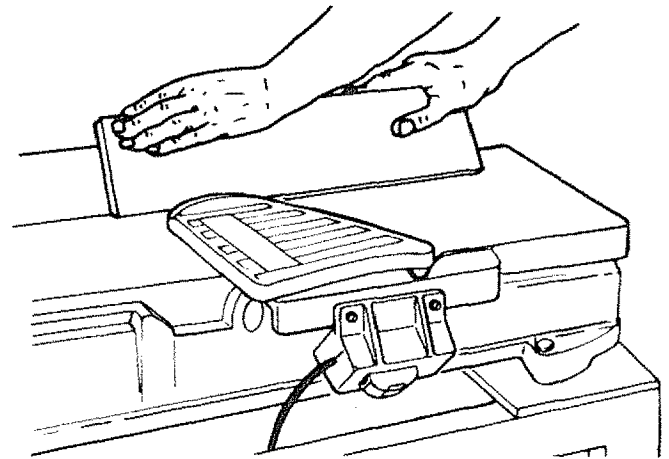
For pieces of wood 3" or wider hold the board firmly down on both tables and firmly against the fence (as illustrated) with your hands on the side and top of the workpiece . . . keep fingers close together.

**NOTE:** Removing only the corner on the edge of a board is known as CHAMFERING while beveling is removing the corner or the edge of the board down to the boards surface.

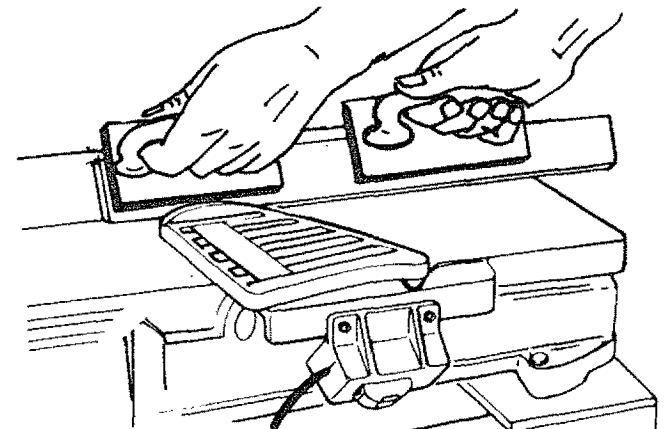
Normally a chamfer is made with one cut . . . therefore, a cut deeper than 1/16 in. may be made.

For pieces of wood less than 3" wide use hold down/push blocks (as illustrated) on the side of the workpiece so you can hold the workpiece in toward the fence at all times as well as down against the table top.

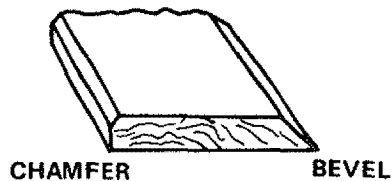
**WARNING: DO NOT CONTACT THE CUTTING KNIVES OR THE GUARD WITH THE PUSH BLOCKS.**



BEVELING BOARD WIDER THAN 3 INCHES



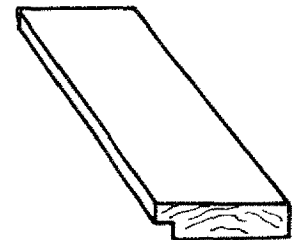
BEVELING BOARD NARROWER THAN 3 INCHES



**NOTE:** Rabbeting on a Jointer is considered to be a dangerous operation because it requires removal of the cutter guard and increases the potential of kickback because of excessive depth of cut.

NEVER ATTEMPT TO PERFORM A RABBETING OPERATION ON THIS JOINTER. DO NOT OPERATE JOINTER/PLANER WITH CUTTERHEAD OR BELT GUARDS REMOVED.

Rabbet cuts should be made on the Radial Saw or Table Saw by making two cuts with the sawblade or by using the Dado Head or Molding Head. Rabbet cuts can also be made using the Shaper or Portable Router.



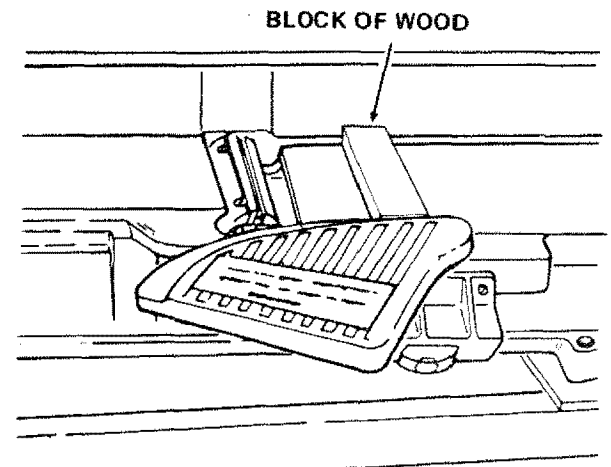
RABBET CUT

## maintenance

### REPLACING CUTTER BLADES

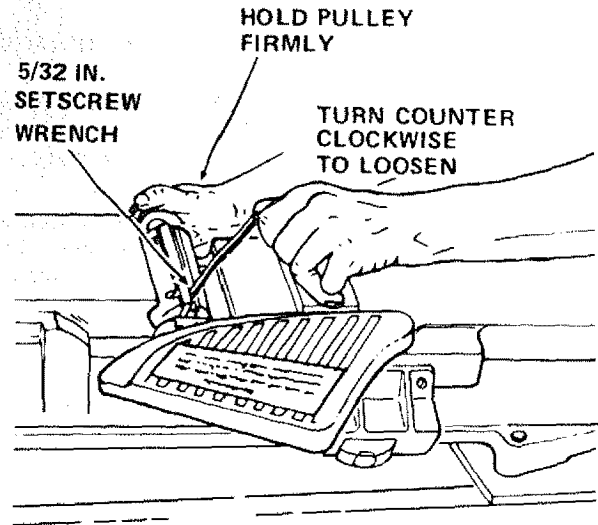
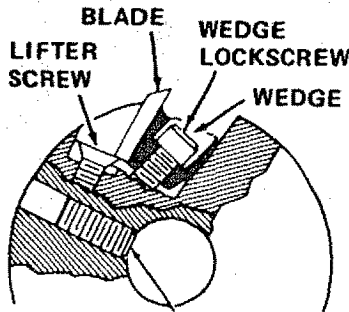
**WARNING: FOR YOUR OWN SAFETY, TURN SWITCH "OFF" AND REMOVE PLUG FROM POWER SOURCE OUTLET BEFORE ADJUSTING, MAINTAINING, OR LUBRICATING YOUR JOINTER-PLANER.**

1. Remove belt guard.
2. Position fence to right . . . approximately 1/4 in. beyond cutter blades . . . lock it in place.
3. Lower infeed table all the way down.
4. Place block of wood 6-3/4 in. long between cutter-guard and fence.



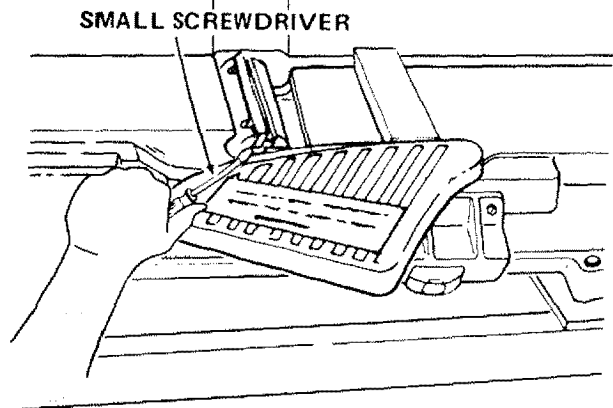
# maintenance

5. Hold cutterhead pulley firmly with one hand and loosen lock screws in each wedge using a 5/32 in. setscrew wrench.

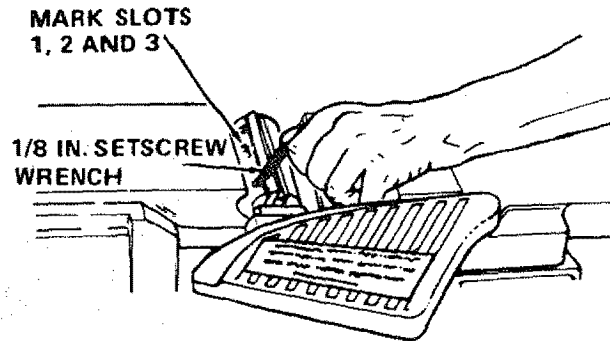
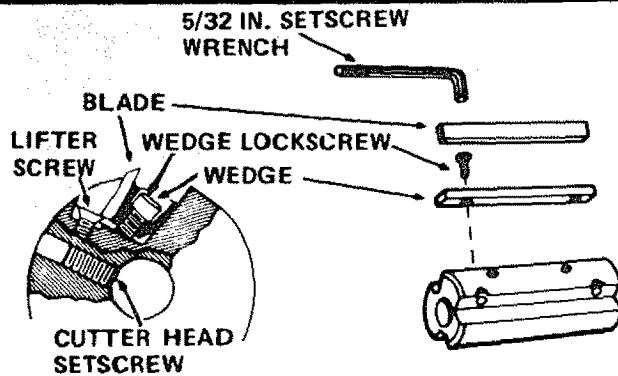


FENCE NOT SHOWN FOR PICTURE CLARITY

6. While holding cutterhead pulley firmly with one hand, gently pry up each wedge using a screwdriver . . . remove wedges and blades.

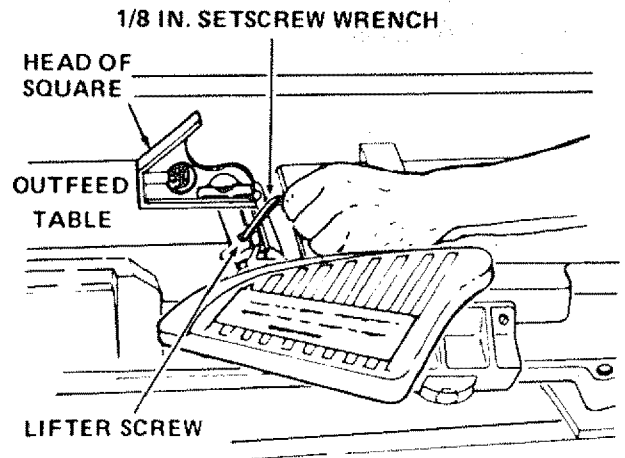


7. Remove the six lifter screws. (Two under each blade.)  
 8. Clean cutterhead, wedges and screws thoroughly with Craftsman Gum and Pitch Remover. also remove the oil from new blades.  
 9. Replace the six lifter screws and screw them in all the way, but do not tighten. Mark each slot 1, 2, and 3. This will help you in setting the blades.

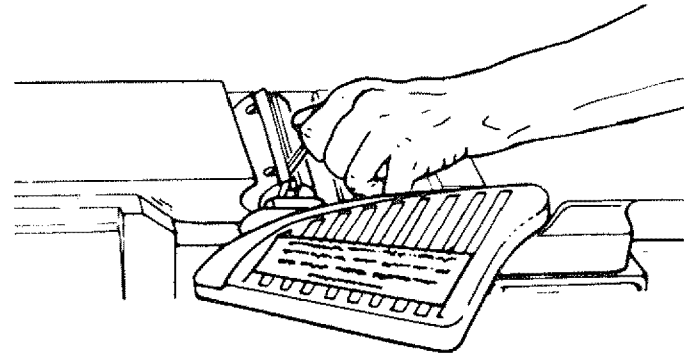


10. Insert a blade in slot marked 1 . . . so it projects 1/16 in. beyond end of the cutterhead.
11. "Insert a wedge next to blade so the flat side of the wedge is against the blade. Push wedge in manually -do not install two locking setscrews at this time."
12. Place head of square on outfeed table. Loosen lifter screws to raise blade until it just touches square and slightly raises it. Gently turn cutter head back and forth with the pulley while raising blade. The blades should be adjusted just slightly above the outfeed table, by approximately .003 in. (thickness of an average piece of paper).

**NOTE:** Sears has a knife setting gauge for this purpose. Cat. #9-2647



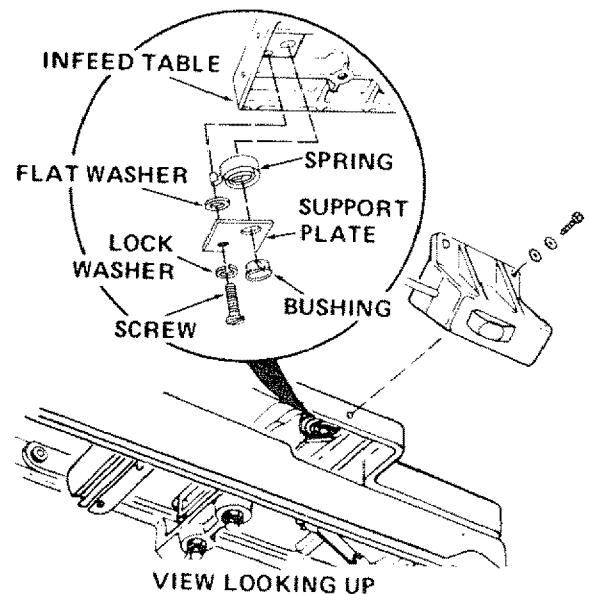
13. "Now install both locking setscrews and tighten (with the 5/32" setscrew wrench) alternately a little at a time. Tighten both screws securely. Recheck the blade to make sure it did not change position."
14. Install other two blades the same way.



### INSTALLING CUTTER GUARD SPRING

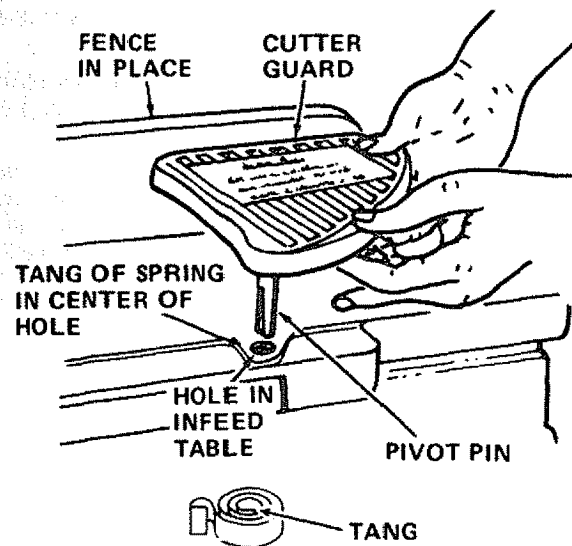
1. Remove cotter pin from pivot pin in cutter guard and remove guard (located underneath infeed table).

Spring must appear as in sketch from underside of infeed table, it will not perform properly if installed upside down.

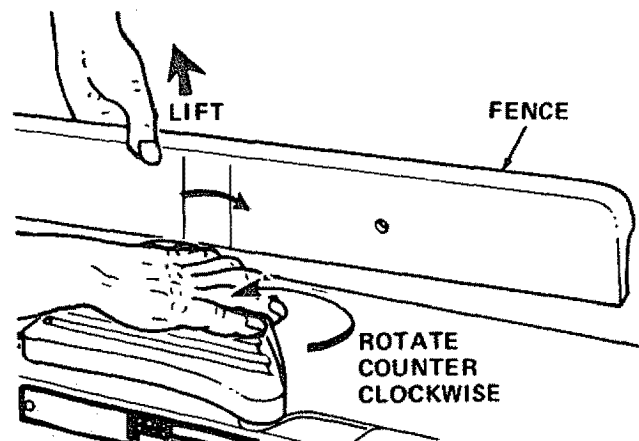


## maintenance

2. Position guard as shown, with PIVOT PIN above hole in infeed table.
3. Align SLOT in pin with TANG in spring, and press down.
4. Replace cotter pin.



5. RAISE end of FENCE, rotate guard COUNTER clockwise only enough to CLEAR fence.
6. LOWER fence and tighten both knobs.

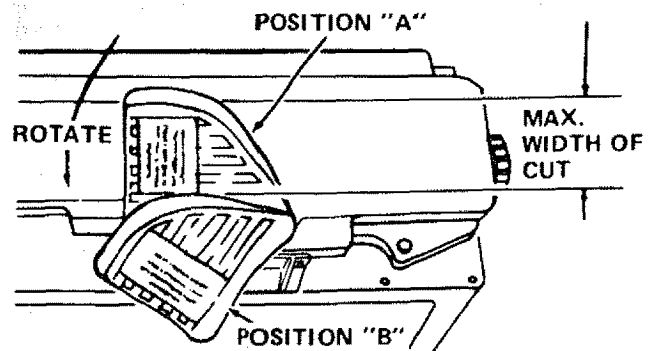


The normal position of guard (at REST) when fence is stationed at MAXIMUM WIDTH OF CUT, is shown as "position A". NEVER ROTATE GUARD BEYOND POSITION "B" BECAUSE THIS WOULD EXERT EXCESSIVE TENSION ON SPRING WHICH COULD WEAKEN OR BREAK IT.

Check operation of GUARD and SPRING.

1. With fence in MAXIMUM WIDTH OF CUT position, pass a piece of 1/4 in. thick wood on edge (jointing position) over cutterhead.
2. The guard should return automatically to its REST position against the fence when free of the wood.
3. If guard does not return to its REST position, remove cotter pin from pivot pin and remove guard. Check pivot pin and hole . . . make sure there are no burrs, rust, or other foreign matter.
4. Apply a few drops of SAE No. 20 or No. 30 engine oil to pivot pin.
5. Replace guard and cotter pin.

If guard still does not return to its REST position, consult your local Sears Retail Store before using the jointer-planer.

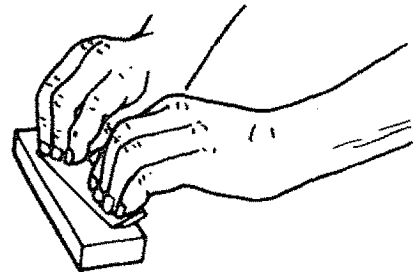


## SHARPENING CUTTER BLADES

The blades can be honed individually with an ordinary oilstone.

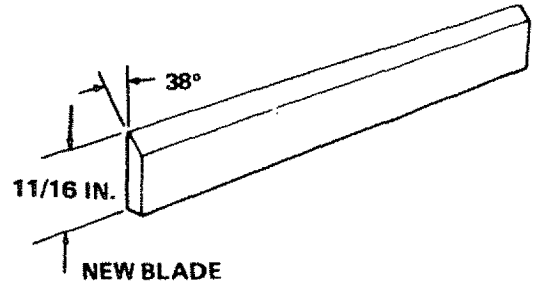
Make sure your oilstone is not worn in the center. It must be flat.

Be sure to remove the burr on the flat side.



If the blades are nicked, they must be replaced or reground. They can be reground several times until they become 9/16 in. wide. **Never install reground blades less than 9/16 in. wide or unbalanced blades.**

Have your knives reground by someone who is competent. Look in the "Yellow Pages" of your telephone directory... see "Sharpening Services".



## general maintenance

Keep your jointer-planer clean. Put a carton or some kind of a container underneath your jointer-planer to catch the chips. The container should reach above the top of the motor.

Do not allow pitch to accumulate on the tables, the fence, the cutter guard, the cutter head or the knives. Clean them with Craftsman Gum and Pitch Remover.

Apply a thin coat of paste type wax to the tables and fence so that the wood slides easily while feeding.

Do not allow chips to accumulate on the underside of the jointer-planer.

Frequently blow out any dust that may accumulate inside the motor.

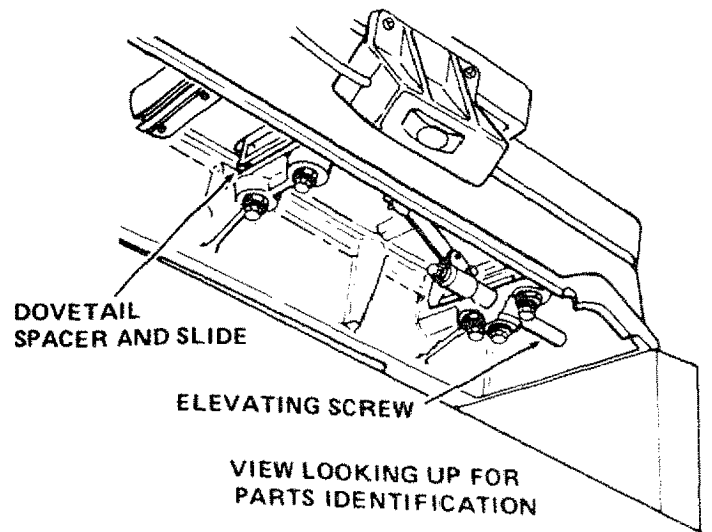
If power cord is worn or cut, or damaged in any way, have it replaced immediately.

## lubrication

The BALL BEARINGS in this machine are packed with grease at the factory. They require no further lubrication.

The following parts should be oiled occasionally with SAE No. 20 or No. 30 engine oil.

1. Dovetail spacer and dovetail slide.
2. Elevating screw (first clean with Craftsman Gum and Pitch Remover).



# lubrication

## MOTOR MAINTENANCE AND LUBRICATION

1. The bearings, in both end shields of the motor, have been lubricated at the factory with correct lubricant. No other part of the motor requires lubrication.
2. Re-lubricate motor bearings in accordance with the instructions on the nameplate. Be sure to wipe off dirt or grit if present around oil hole caps to prevent any possibility of foreign material contaminating the oil wicks that supply the bearings with oil. Use a good grade of medium weight mineral oil, such as automobile engine oil, SAE 20.
3. If disassembly of the motor is necessary, it should be returned to your nearest Sears retail or mail-order store in order to prevent voiding the guarantee.

**NOTE:** The speed of this motor cannot be regulated or changed.

4. Every effort should be made to prevent foreign material from entering the motor. When operated under conditions likely to permit accumulations of dust, dirt, or waste within the motor, a visual inspection should be made at frequent intervals. Accumulations of dry dust can usually be blown out successfully.

**NOTE:** Motors used on wood-working tools are particularly susceptible to the accumulation of sawdust and wood chips and should be blown out or "vacuumed" frequently to prevent interference with normal motor ventilation and proper operation of the centrifugally-operated starting switch.

# trouble shooting

**WARNING: FOR YOUR OWN SAFETY, TURN SWITCH "OFF" AND REMOVE PLUG FROM POWER SOURCE OUTLET BEFORE TROUBLE SHOOTING YOUR JOINTERPLANER.**

## TROUBLE SHOOTING CHART

TROUBLE	PROBABLE CAUSE	REMEDY
Motor will not run.	<ol style="list-style-type: none"> <li>1. Defective On-Off switch. Defective switch cord. Defective switch box receptacle.</li> <li>2. Motor protector open, (only if your motor is equipped with an overload protector). Other cause</li> </ol>	<ol style="list-style-type: none"> <li>1. Replace defective parts before using machine again.</li> <li>2. Consult Sears Service. Any attempt to repair this motor may create a HAZARD unless repair is done by a qualified service technician. Repair service is available at your nearest Sears Store.</li> </ol>
Wood strikes outfeed table after passing over cutter head.	Blades improperly adjusted below surface of outfeed table.	Re-adjust blades, see Maintenance section.
Ripples on planed surface.	<ol style="list-style-type: none"> <li>1. One blade set higher than other.</li> <li>2. Feeding wood too fast.</li> </ol>	<ol style="list-style-type: none"> <li>1. Re-adjust blades, see Maintenance section.</li> <li>2. Feed wood slower.</li> </ol>
Planed surface not straight.	Infeed table out of adjustment.	Re-adjust infeed table, see Getting To Know your Jointer Planer section.
Excessive gouging at end of cut.	Blades set too high above outfeed table.	Reset blades, see Maintenance section.
90° and 45° cuts inaccurate.	<ol style="list-style-type: none"> <li>1. Fence stops not adjusted properly.</li> <li>2. Fence slide bracket not even with table.</li> </ol>	<ol style="list-style-type: none"> <li>1. Re-adjust fence stops, see Getting To Know your Jointer Planer section.</li> <li>2. Re-adjust slide bracket, see Getting To Know your Jointer Planer section.</li> </ol>
Infeed table loose.	<ol style="list-style-type: none"> <li>1. Dovetail spacer requires adjustment.</li> <li>2. Female dovetail loose from table.</li> </ol>	<ol style="list-style-type: none"> <li>1. Tighten screw, key 10, see fig. 3, Parts List.</li> <li>2. Tighten screws, key 17, see fig. 3, Parts List.</li> </ol>
Cutter guard does not function properly.	<ol style="list-style-type: none"> <li>1. Return spring broken, or spring has been weakened.</li> <li>2. Improper assembly of spring or guard mounting.</li> </ol>	<ol style="list-style-type: none"> <li>1. Replace spring immediately. See Maintenance section.</li> <li>2. See Maintenance section.</li> </ol>

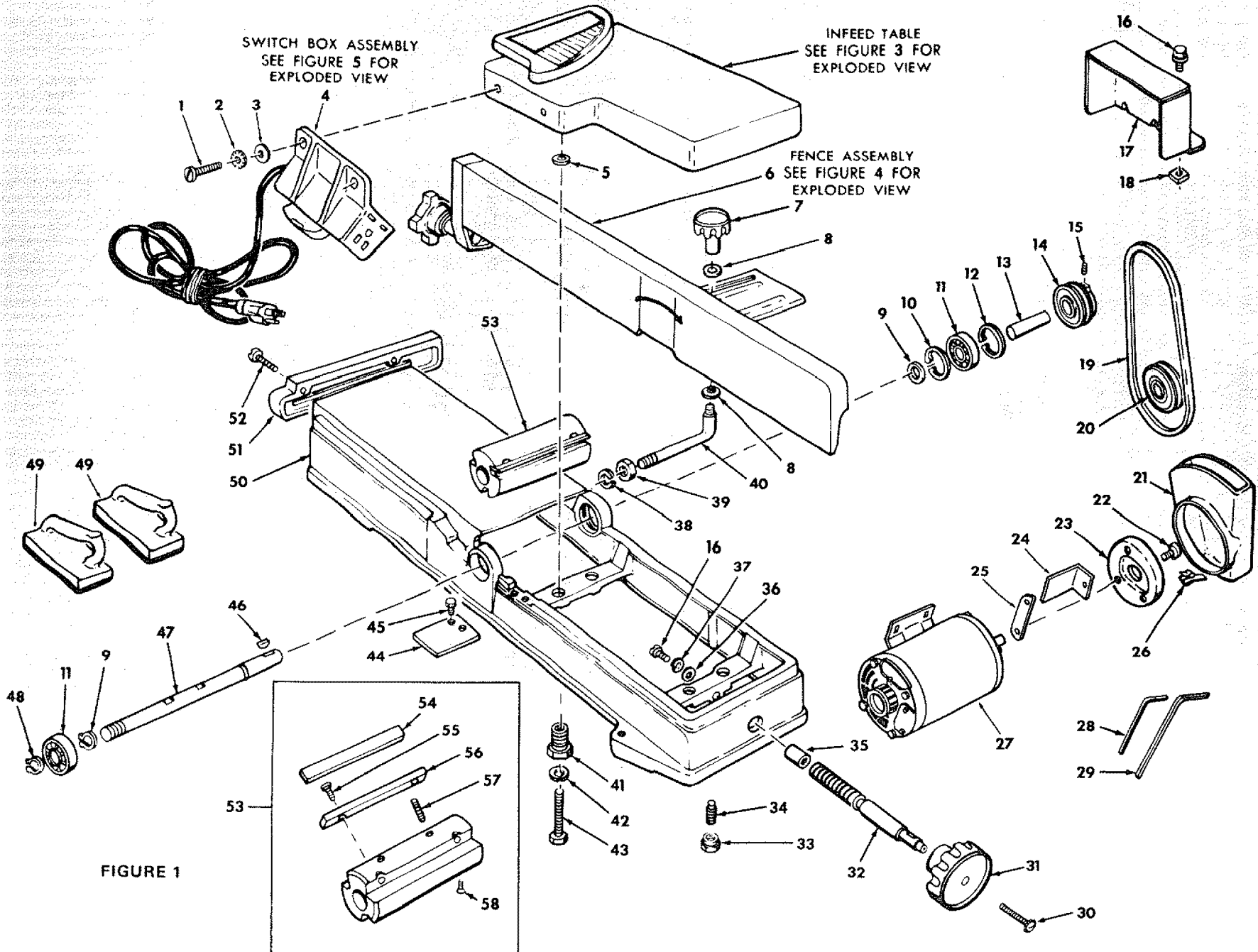


## TROUBLE SHOOTING — MOTOR

**NOTE:** Motors used on wood-working tools are particularly susceptible to the accumulation of sawdust and wood chips and should be blown out or "vacuumed" frequently to prevent interference with normal motor ventilation and proper operation of the centrifugally-operated starting switch.

TROUBLE	PROBABLE CAUSE	REMEDY
<b>Excessive noise.</b>	1. Motor.	1. Have motor checked by qualified service technician. Repair service is available at your nearest Sears store.
<b>Motor fails to develop full power. NOTE: LOW VOLTAGE:</b> (Power output of motor decreases rapidly with decrease in voltage at motor terminals. For example, a reduction of 10% in voltage causes a reduction of 19% in maximum power output of which the motor is capable, and a reduction of 20% in voltage causes a reduction of 36% in maximum power output.)	1. Circuit overloaded with lights, appliances and other motors. 2. Undersize wires or circuit too long. 3. General overloading of power company facilities.	1. Do not use other appliances or motors on same circuit when using the jointer. 2. Increase wire sizes, or reduce length of wiring. See "Motor Specifications and Electrical Requirements" section. 3. Request a voltage check from the power company.
<b>Motor starts slowly or fails to come up to full speed.</b>	1. Low voltage will not trip relay. 2. Windings burned out or open. 3. Starting relay not operating.	1. Request voltage check from the power company. 2. Have motor repaired or replaced. 3. Have relay replaced.
<b>Motor overheats.</b>	1. Motor overloaded. 2. Improper cooling. (Air circulation restricted through motor due to sawdust, accumulating inside of motor).	1. Feed work slower into blade. 2. Clean out sawdust to provide normal air circulation through motor. See "Maintenance and Lubrication" section.
<b>Starting switch in motor will not operate.</b>	1. Burned switch contacts (due to extended hold-in periods caused by low line voltage, etc.). 2. Shorted capacitor. 3. Loose or broken connections.	1. Have switch replaced and request a voltage check from the power company. 2. Have capacitor tested and replace if defective. 3. Have wiring checked and repaired.
<b>Motor stalls</b> (resulting in blown fuses or tripped circuit breakers).	1. Starting switch not operating. 2. Voltage too low to permit motor to reach operating speed. 3. Fuses or circuit breakers do not have sufficient capacity.	1. Have switch replaced. 2. Request voltage check from the power company. 3. Install proper size fuses or circuit breakers.
Frequent opening of fuses or circuit breakers.	1. Motor overloaded. 2. Fuses or circuit breakers do not have sufficient capacity. 3. Starting switch not operating (motor does not reach speed).	1. Feed work slower. 2. Install proper size fuses or circuit breakers. 3. Have switch replaced.

# CRAFTSMAN 6-1/8 INCH JOINTER-PLANER MODELS 113.206801, 113.206932 AND 113.206891



## CRAFTSMAN 6-1/8 INCH JOINTER-PLANER MODELS 113.206801, 113.206932 AND 113.206891

Always order by Part Number - Not by Key Number

### FIGURE 1 — PARTS LIST

Key No.	Part No.	Description
1	STD512505	*Screw, Pan Hd. 1/4-20 x 1/2
2	STD551225	*Lockwasher, External 1/4
3	STD551012	*Washer, 17/64 x 1/2 x 1/32
4	60381	Outlet, On/Off Power (See Fig. 5)
5	18437	Washers
6	21013	Fence Assembly, Complete (See Fig. 4)
7	67020	Knob
8	21622	Washer, Sliding Guard
9	STD582062	*Ring, Retaining 5/8
10	18441	Ring, Retaining
11	3509	Bearing Ball
12	38879	Ring, Bowed Retaining
13	60345	Spacer
14	STD328012	*Pulley with Set Screw, 2" Dia. x 1/2" V-Groove, 5/8" Bore, Keyed
15	STD503103	*Screw, Set, 5/16-18 x 5/16, Soc. Hd.
16	STD522505	*Screw, Hex Hd. 1/4-20 x 1/2
17	67008	Belt Guard, Pulley
18	STD541025	*Nut, Hex 1/4-20
19	STD304520	*Belt, "V" 1/2-52
20	STD328022	*Pulley with Set Screw, 2-1/2 Dia. x 1/2" V-Groove, 5/8" Bore, Keyed
21	60252	Guard-Belt, Motor
22	STD601105	*Screw, Type 23 Pan 10-32 x 1/2"
23	60253	Support-Belt Guard
24	69184	Bracket, Mounting
25	60254	Bracket-Support
26	60255	Clip "S"
27	9-12001	+Motor (See Fig. 6) (Supplied with Model 113.206932)
	9-12004	+Motor (See Fig. 6) (Supplied with Model 113.206891)
28	37887	*Wrench, Hex 1/8
29	60096	*Wrench, Hex 5/32

Key No.	Part No.	Description
30	STD522512	*Screw Mach., 1/4-20 x 1-1/4 Truss Hd. w/Lockwasher
31	63410	Knob, 3-1/4
32	67016	Shaft, Elevating
33	STD541031	*Nut, Hex 5/16-18
34	102832	Screw, Set, 5/16-18 x 1 Full Dog Pt., Slotted Hd.
35	67017	Sleeve
36	STD551025	*Washer, Plain, 17/64 I.D.
37	STD551125	*Lockwasher, 1/4
38	STD551150	*Lockwasher, 1/2
39	120238	Nut, Hex 1/2-13
40	21638	Rod, Sliding Guard
41	18516	Stud, Leveling
42	STD551131	*Lockwasher, 5/16
43	STD523117	*Screw, Hex Hd., 5/16-18 x 1-3/4
44	21733	Support-Guard Pin
45	60078	*Screw, Mach., 5/16-18 x 1/2", Hex Hd.
46	STD580025	*Key, Woodruff, No. 9
47	21636	Arbor
48	37158	Ring, Retaining Bowed 5/8
49	67062	Push Block/Hold Down
50	67021	Base
51	21237	Bracket, Fence Slide
52	132275	Screw, Mach., 1/4-20 x 1, Fil. Hd. Slotted
53	21450	Head Assembly, Complete Cutter
54	18112	+Blade, Cutter
55	60116	Screw, Cap. No. 10-32 x 3/4 Soc. Hd.
56	21632	Wedge, Cutter Blade
57	60117	Screw, Set, 5/16-24 x 7/8 Soc. Hd.
58	60118	Screw, Mach., No. 10-32 x 1/2, Flat Soc. Hd.
—	67092	Bag of Loose Parts (Not Illustrated)
—	67095	Owners Manual (Not Illustrated)

\*Standard Hardware Item - May be purchased locally.

+Stock Item - May be secured through the Hardware Department of most Sears Retail Stores or Catalog Order Houses.

**CRAFTSMAN 6-1/8 INCH JOINTER-PLANER  
MODELS 113.206801, 113.206932 AND 113.206891**

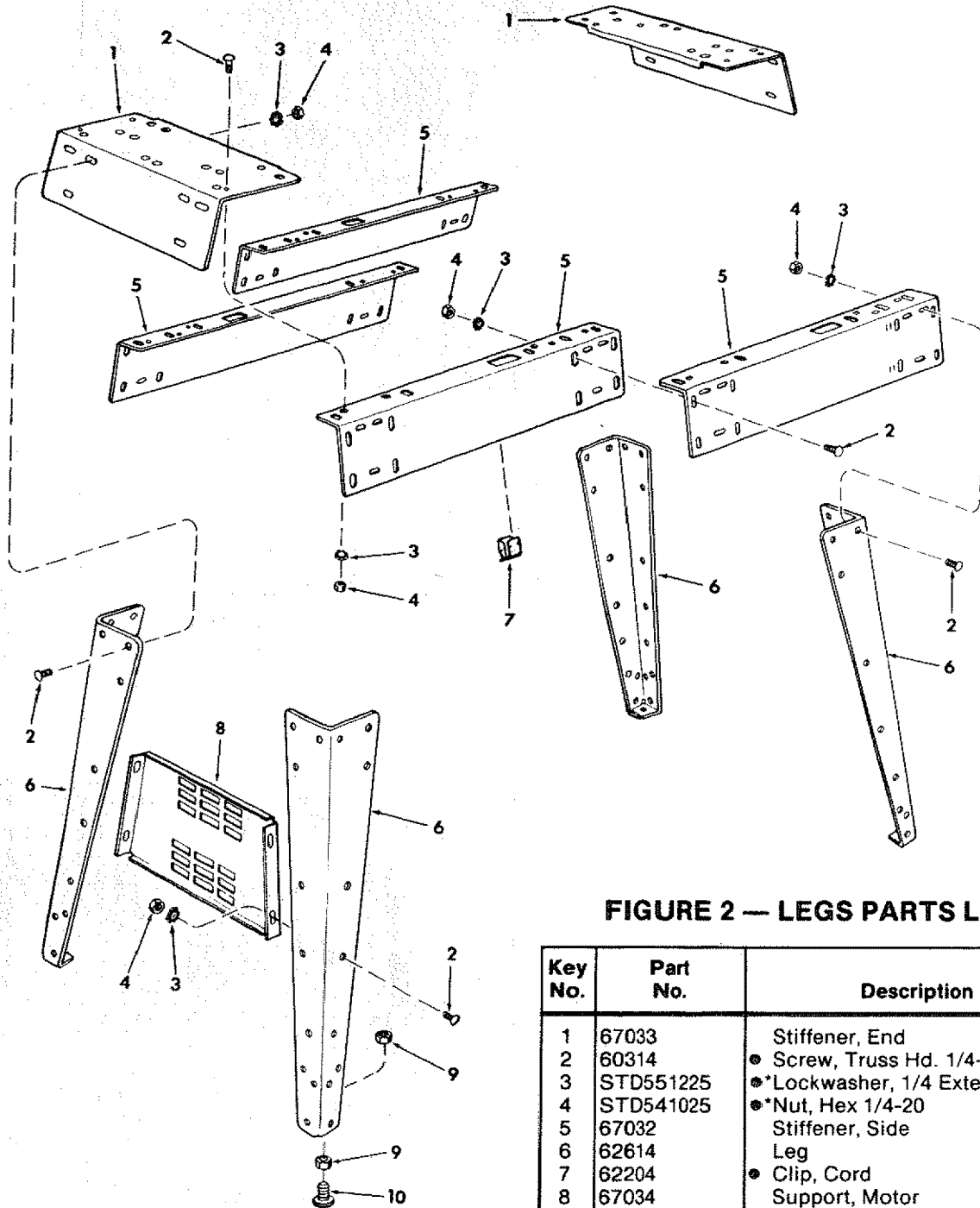


FIGURE 2

FIGURE 2 — LEGS PARTS LIST

Key No.	Part No.	Description
1	67033	Stiffener, End
2	60314	● Screw, Truss Hd. 1/4-20 x 5/8
3	STD551225	●*Lockwasher, 1/4 External
4	STD541025	●*Nut, Hex 1/4-20
5	67032	Stiffener, Side
6	62614	Leg
7	62204	● Clip, Cord
8	67034	Support, Motor
9	STD541250	●*Nut, Hex Hd. 1/2-13
10	803835	● Foot, Leveling
—	67035	Bag of Loose Parts (Not Illus.)
<b>HARDWARE FOR MOUNTING TOOL AND MOTOR</b>		
—	STD532507	●*Bolt, Carriage 5/16-18 x 3/4
	STD551231	●*Lockwasher, 5/16 External
	STD551031	●*Washer, 11/32 x 11/16 x 1/16
	STD523120	●*Screw, Hex Hd. 5/16-18 x 2
	STD541231	●*Nut, Hex 5/16-18

●Supplied in Loose Parts Bag 67035

\*Standard Hardware Item - May be Purchased Locally.

**CRAFTSMAN 6-1/8 INCH JOINTER-PLANER  
MODELS 113.206801, 113.206932 AND 113.206891**

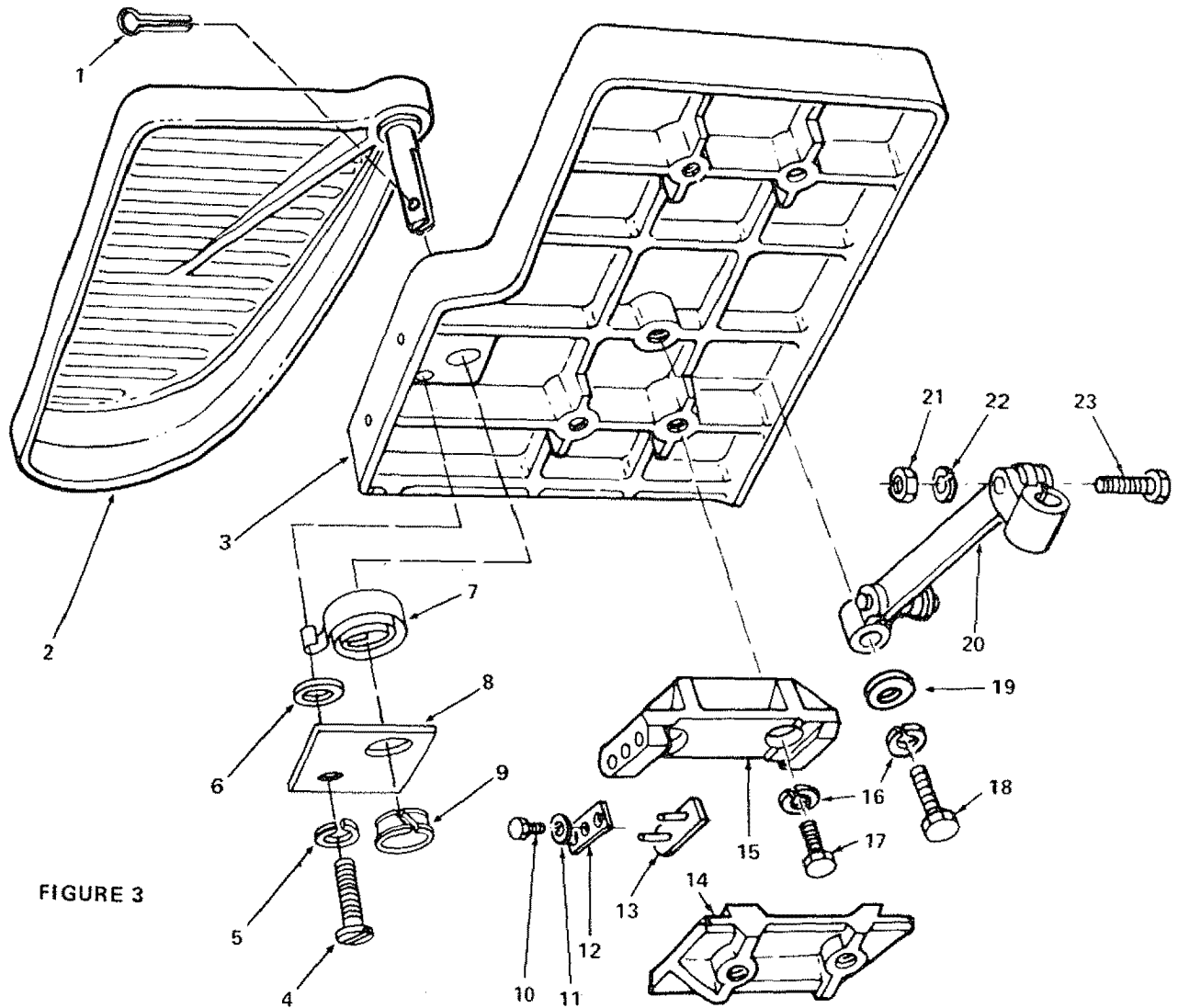


FIGURE 3

**FIGURE 3 — INFEEED TABLE PARTS LIST**

Key No.	Part No.	Description
1	STD561210	*Pin, Cotter, 1/8 x 1
2	67015	Guard
3	67014	Table (with Name Plate)
4	STD511107	*Screw Pan Hd. 10-32 x 7/8
5	STD551210	*Lockwasher No. 10
6	STD551010	*Washer, No. 10
7	38779	Spring, Guard
8	67011	Plate Support
9	67012	Bushing
10	STD522505	*Screw, Cap, 1/4-20 x 1/2, Hex Hd.
11	STD551025	*Washer, Plain, 17/64
12	21812	Plate, Tension

Key No.	Part No.	Description
13	21422	Spacer, Dovetail
14	21219	Dovetail, Male
15	21218	Dovetail, Female
16	STD551131	*Lockwasher, 5/16
17	21635	Screw, Spl.
18	STD523112	*Screw, Cap, 5/16-18 x 1-1/4 Hex Hd.
19	STD551031	*Washer, 5/16
20	21204	Linkage Assembly
21	STD541025	*Nut, Hex., 1/4-20
22	STD551125	*Lockwasher, 1/4
23	STD522510	*Screw, Cap, 1/4-20 x 1, Hex Hd.

\*Standard Hardware Item — May Be Purchased Locally.

# repair parts

## CRAFTSMAN 6-1/8 INCH JOINTER-PLANER MODELS 113.206801, 113.206932 AND 113.206891

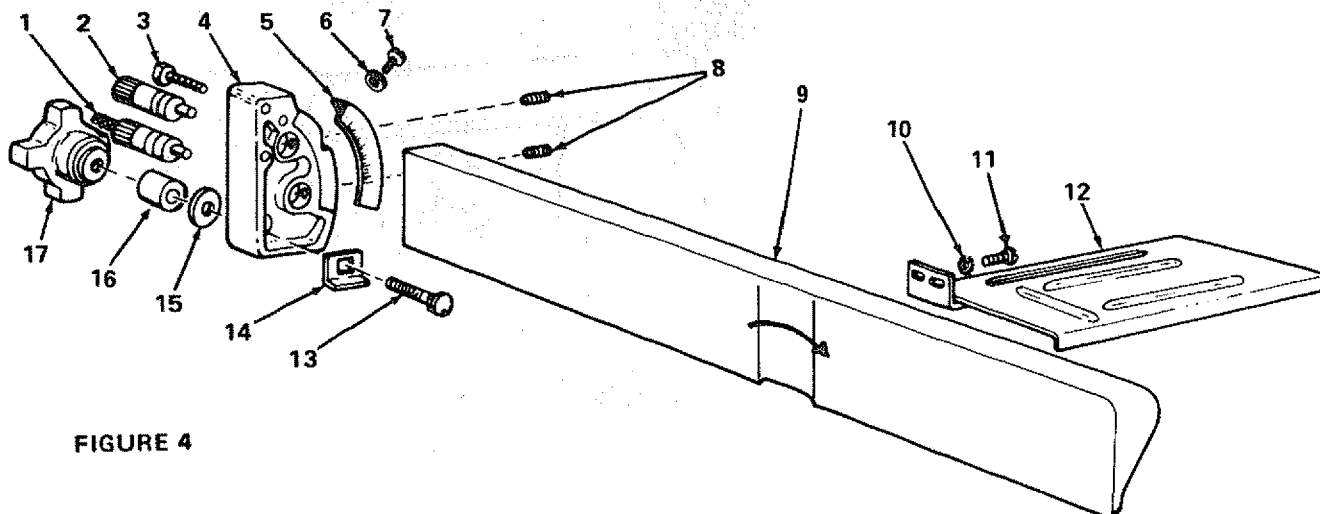


FIGURE 4

FIGURE 4 — 21013 FENCE ASSEMBLY PARTS LIST

Key No.	Part No.	Description
—	21013	Fence Assembly
1	21440	Plunger Assembly
2	21430	Pin Assembly, Stop
3	STD522512	*Screw, Hex Hd., 1/4-20 x 1-1/4
4	21232	Plate, Fence End
5	21736	Scale, Fence Tilt
6	STD551010	*Washer, Plain, 13/64
7	STD510802	*Screw, Mach., No. 8-32 x 1/4, Bind Hd., Slotted
8	102817	Screw, Set, 1/4-20 x 1/2", Full Dog Pt., Slotted
9	21229	Body, Fence Incl. Key No's. 10 & 11

Key No.	Part No.	Description
10	STD551210	*Lockwasher, Ext. #10
11	STD511102	*Screw, Mach., No. 10-32 x 1/4, Pn Hd., Slotted
12	67009	Guard, Cutter
13	STD533725	*Bolt, Carriage, 3/8-16 x 2-1/2 Round Head
14	21738	Retainer, Bolt
15	STD551037	*Washer, 13/32 x 13/16 x 1/16
16	47624	Spacer
17	62331	Knob Assembly, Lock

\*Standard Hardware Item — May Be Purchased Locally.

FIGURE 5 — ON/OFF POWER OUTLET 60381

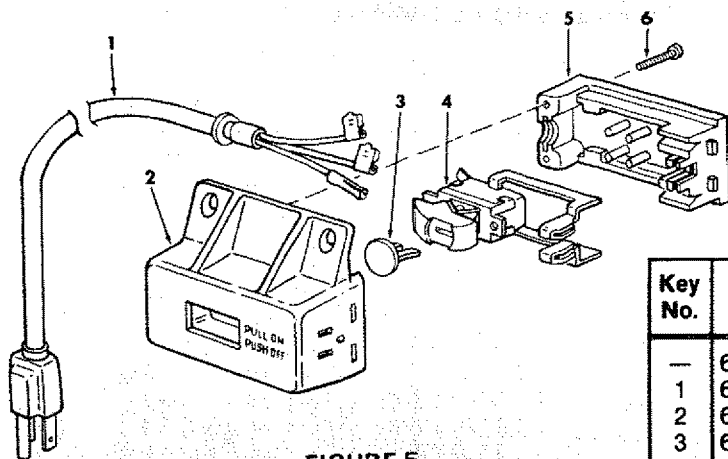
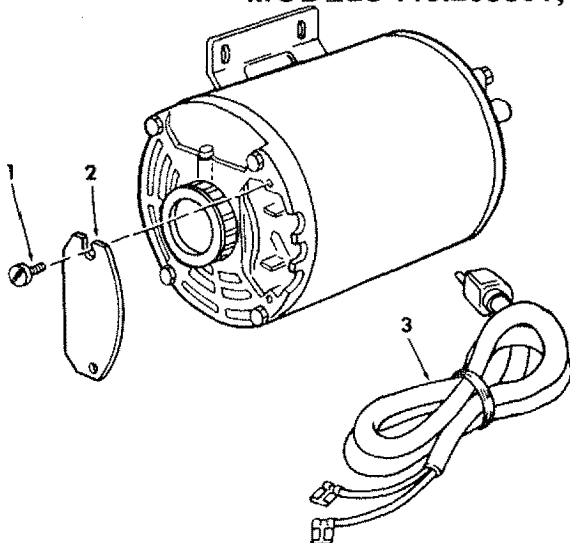


FIGURE 5

Key No.	Part No.	Description
—	60381	On/Off Power Outlet Complete
1	60375	Cord, Molded
2	60380	Housing, Switch
3	60256	Key, Switch
4	60374	Switch, Locking
5	60376	Cover, Switch
6	448007	Screw, Pan Hd. No. 6 x 3/4

•Does Not Include Key No. 3 Order Separately If required.

**CRAFTSMAN 6-1/8 INCH JOINTER-PLANER  
MODELS 113.206801, 113.206932 AND 113.206891**



**NOTE:**

**ANY ATTEMPT TO REPAIR THIS MOTOR  
MAY CREATE A HAZARD UNLESS  
REPAIR IS DONE BY QUALIFIED  
SERVICE TECHNICIAN.**

**REPAIR SERVICE IS AVAILABLE  
AT YOUR NEAREST SEARS STORE.**

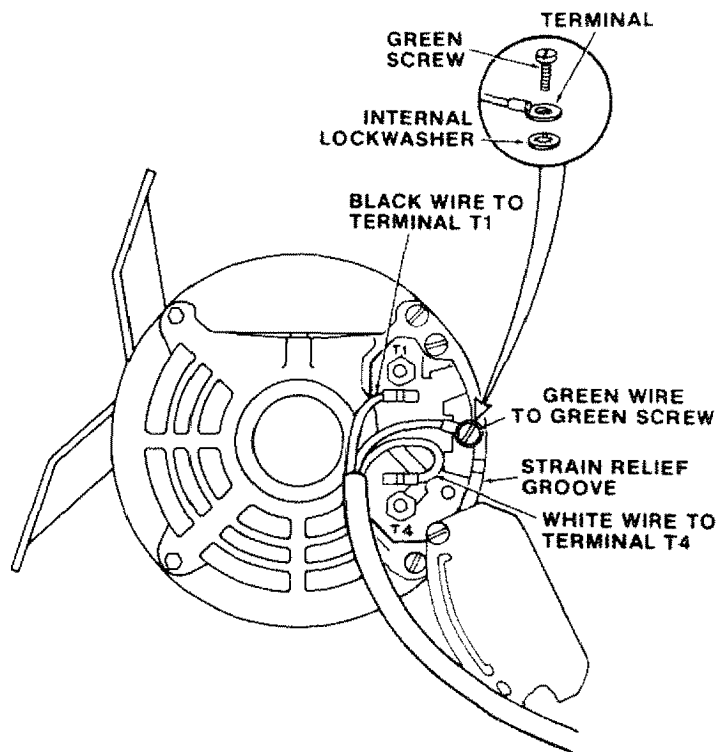
**FIGURE 6 — MOTOR PARTS LIST**

Key No.	Part No.	Description
1	60306	Screw, 8-32 x 3/8, Thread Cutting, Slotted, Serrated Hd.
2	64088	Cover, Terminal
3	64258	Cord with Plug

**MOTOR CONNECTIONS**

**WARNING: FOR YOUR OWN SAFETY, NEVER CONNECT  
PLUG TO POWER SOURCE OUTLET UNTIL ALL  
ASSEMBLY STEPS ARE COMPLETED.**

1. Open motor connector box cover located on left end of motor (viewed from rear of saw) using a flat blade screwdriver.
2. Remove GREEN SCREW and lockwasher and insert screw through round metal terminal on the end of the GREEN wire of power cord with lockwasher between terminal and motor frame. (See illus.)
3. Reinsert GREEN SCREW in the threaded hole. Tighten securely.
4. Insert terminal end of WHITE wire on spade terminal marked T4 on the motor. Push terminal firmly until seated.
5. Insert terminal end of BLACK wire on spade terminal marked T1 on the motor. Push terminal firmly until seated.
6. Close motor connector box being sure that power cord is seated in the largest strain relief groove, and tighten box cover screws.



**RECOMMENDED ACCESSORIES**

ITEM	CAT. NO.
Steel Legs .....	9-22245
Floor Stand .....	9-22216
Cutter Blades .....	9-2293
Power Tool Know-how Handbooks	
Radial Saw .....	9-2917
Table Saw .....	9-2918
Knife Setting Gauge.....	9-2647
Chip Collector .....	9-29977

The above recommended accessories are current and were available at the time this manual was printed.

**SEARS**

**owners  
manual**

**SERVICE**

**MODEL NO.**

**113.206932**  
JOINTER/PLANER WITH  
LEGS AND MOTOR

**113.206891**  
JOINTER/PLANER WITH  
LEGS AND MOTOR

**HOW TO ORDER  
REPAIR PARTS**

## 6-1/8 INCH JOINTER-PLANER

Now that you have purchased your jointer-planer, should a need ever exist for repair parts or service, simply contact any Sears Service Center and most Sears, Roebuck and Co. stores. Be sure to provide all pertinent facts when you call or visit.

The model number of your 6-1/8 inch jointer-planer will be found on a plate attached to your base.

WHEN ORDERING REPAIR PARTS, ALWAYS GIVE THE FOLLOWING INFORMATION:

PART NUMBER	PART DESCRIPTION
MODEL NUMBER	NAME OF ITEM
113.206801	6-1/8 INCH JOINTER-PLANER
113.206932	
113.206891	

All parts listed may be ordered from any Sears Service Center and most Sears stores. If the parts you need are not stocked locally, your order will be electronically transmitted to a Sears Repair Parts Distribution Center for handling.

**Sold by SEARS, ROEBUCK AND CO., Chicago, IL. 60684 U.S.A.**



## Free Manuals Download Website

<http://myh66.com>

<http://usermanuals.us>

<http://www.somanuals.com>

<http://www.4manuals.cc>

<http://www.manual-lib.com>

<http://www.404manual.com>

<http://www.luxmanual.com>

<http://aubethermostatmanual.com>

Golf course search by state

<http://golfingnear.com>

Email search by domain

<http://emailbydomain.com>

Auto manuals search

<http://auto.somanuals.com>

TV manuals search

<http://tv.somanuals.com>