

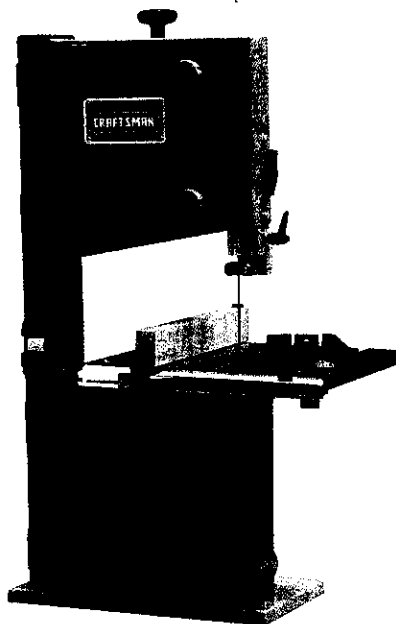
Owner's Manual

**CRAFTSMAN**

## 10-in. BANDSAW

1/3 HP MOTOR

Model 119.214000



**CAUTION:** Before using this product, read this manual and follow all its Safety Rules and Operating Instructions.

- Table of Contents
- Full One Year Warranty
- Safety Instructions
- Assembly
- Getting to Know Your Bandsaw
- Adjustment
- Operation
- Maintenance
- Troubleshooting
- Electrical Schematic
- Parts List
- Español, p. 12

Sears, Roebuck and Co., Hoffman Estates, IL 60179, U.S.A.

[www.craftsman.com](http://www.craftsman.com)

## TABLE OF CONTENTS

Table of contents.....	2
Full one year warranty.....	2
Safety instructions.....	2
Assembly.....	4
Getting to know your bandsaw.....	5
Adjustment.....	6
Operation.....	8
Maintenance.....	8
Troubleshooting.....	9
Electrical schematic.....	9
Parts list.....	10
Español.....	12

## FULL ONE YEAR WARRANTY

If this Craftsman tool fails due to a defect in material or workmanship within one year from the date of purchase, CALL 1-800-4-MY-HOME® TO ARRANGE FOR FREE REPAIR.

If this tool is used for commercial or rental purposes, this warranty will apply for only ninety days from the date of purchase.

This warranty applies only while this tool is in the United States.

This warranty gives you specific legal rights, and you may also have other rights, which vary, from state to state.

Sears, Roebuck and Co., Dept. 817WA, Hoffman Estates, IL 60179

## SAFETY INSTRUCTIONS

### GENERAL SAFETY WARNINGS

**KNOW YOUR POWER TOOL.** Read the owner's manual carefully. Learn the tool's applications, work capabilities, and its specific potential hazards:

#### **▲ DANGER**

##### **Always Ground All Tools.**

If your tool is equipped with a three-pronged plug, you must plug it into a three-hole electric receptacle. If you use an adapter to accommodate a two-pronged receptacle, you must attach the adapter plug to a known ground. Never remove the third prong of the plug.



##### **Always Avoid Dangerous Environments.**

Never use power tools in damp or wet locations. Keep your work area well lighted and clear of clutter.

#### **▲ DANGER**

##### **Always Remove the Adjusting Keys and Wrenches from Tools after Use.**

Form the habit of checking to see that keys and adjusting wrenches are removed from the tool before turning it on.



##### **Always Keep Your Work Area Clean.** Cluttered areas and benches invite accidents.

#### **▲ DANGER**

##### **Always Keep Visitors Away from Running Machines.**

All visitors should be kept a safe distance from the work area.



##### **Always make the Workshop Childproof.**

Childproof with padlocks, master switches, or by removing starter keys.

#### **▲ DANGER**



**Never operate a tool while under the influence of drugs, medication, or alcohol.**

**⚠ DANGER****Always Wear Proper Apparel.**

Never wear loose clothing or jewelry that might get caught in moving parts. Rubber-soled footwear is recommended for the best footing.

**⚠ DANGER****Always Use Safety Glasses and Wear Hearing Protection.**

Also use a face or dust mask if the cutting operation is dusty.

**⚠ DANGER****Never Overreach.**

Keep your proper footing and balance at all times.

**⚠ DANGER****Never Stand on Tools.**

Serious injury could occur if the tool is tipped or if the cutting tool is accidentally contacted.

**⚠ DANGER****Always Disconnect Tools.**

Disconnect tools before servicing and when changing accessories such as blades, bits, and cutters.

**Always Avoid Accidental Starting.**

Make sure switch is in "OFF" position before plugging in cord.

**Never Leave Tools Running Unattended.****⚠ DANGER****Always Check for Damaged Parts.**

Before initial or continual use of the tool, a guard or other part that is damaged should be checked to assure that it will operate properly and perform its intended function. Check for alignment of moving parts, binding of moving parts, breakage of parts, mounting, and any other conditions that may affect its operation. A guard or other damaged parts should immediately be properly repaired or replaced.

**SPECIAL SAFETY RULES FOR BANDSAWS**




1. Always stop the Bandsaw before removing scrap pieces from table.
2. Always keep hands and fingers away from the blade.
3. Never attempt to saw stock that does not have a flat surface, unless a suitable support is used.
4. Always hold material firmly and feed it into the blade at a moderate speed.
5. Always turn off the machine if the material is to be backed out of an uncompleted cut.
6. Check for proper blade size and type for thickness and type of material being cut.
7. Make sure that the blade tension and blade tracking are properly adjusted.
8. Make "relief" cuts before cutting long curves.
9. Release blade tension when the saw will not be used for a long period of time.
10. Note and follow the safety warnings and instructions that appear on the lower door.

**⚠ WARNING****FOR YOUR OWN SAFETY**

- |  |   |
|--|---|
| 1. READ AND UNDERSTAND INSTRUCTION MANUAL BEFORE OPERATING BANDSAW                             | 7. Secure wheel guard covers before operating                                     |
| 2. Always wear eye protection  | 8. Adjust upper blade guard guide to just clear workpiece                         |
| 3. Do not wear gloves, neckties, jewelry or loose clothing                                     | 9. Hold workpiece firmly against table and use miter gage and fence when possible |
| 4. Check blade rotation and make certain that blade teeth point downward toward the table      | 10. Do not remove jammed or cut-off pieces until blade has stopped                |
| 5. Maintain proper adjustment of blade tracking and tension, blade guides and back-up bearings | 11. Disconnect machine from power source before making repairs or adjustments     |
| 6. Keep hands out of path of saw blade   | 12. Do not expose to rain or use in damp locations                                |

# ASSEMBLY

## 1. TOOLS REQUIRED FOR ASSEMBLY

Item	Description	Q'ty.
	Medium Screwdriver.....	1
	Adjustable Wrench.....	1
	Square.....	1

## 2. UNPACKING AND CHECKING CONTENTS

Model 119.214000 10" Bandsaw is shipped complete in one box.

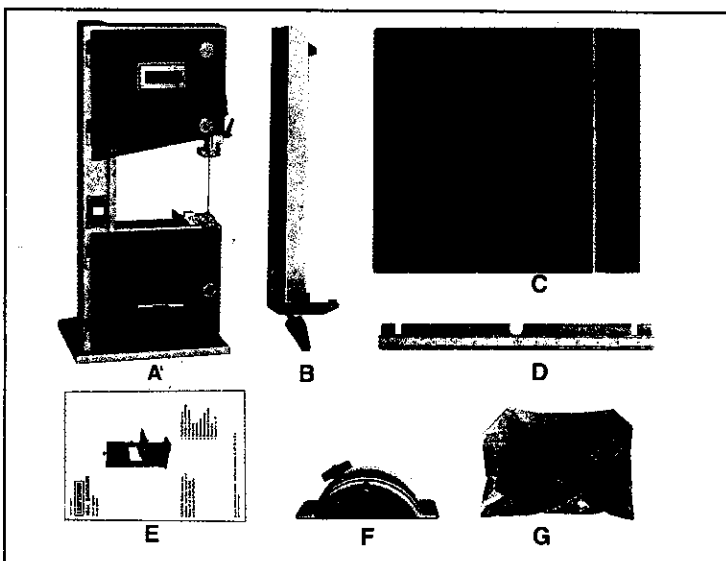
a. Separate all parts from carton and check each item with "Table of Carton Contents" to make sure all items are accounted for, before discarding any packing material.

b. Remove the protective oil that is applied to the table. Use any ordinary house hold type grease and spot remover.












c. Apply a coat of paste wax to the table to prevent rust. Wipe all parts thoroughly with a clean dry cloth.

### CARTON CONTENTS

Item	Description	Q'ty.
A	Main Machine.....	1
B	Fence Assembly.....	1
C	Table.....	1
D	Guide Rail.....	1
E	Owner's Manual.....	1
F	Upper Table Trunnion Assembly.....	1
G	Bag of Loose Parts.....	1



## LIST OF LOOSE PARTS IN BAG

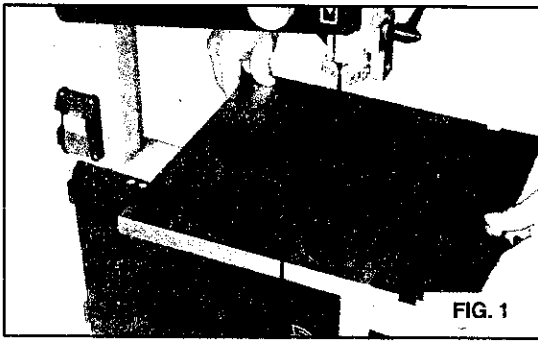
Item	Description	Q'ty.
	Blade Tension Knob.....	1
	Miter Gauge.....	1
	Hex. Socket Head Cap Screw M6x30.....	1
	Washer 6.....	1
	Wing Nut M6.....	1
	Hex. Bolt M6x12.....	4
	Lock Washer 6.....	4
	Star Knob Screw.....	2
	Washer 6.....	2
	M3 Hex "L" Wrench.....	1
	M5 Hex "L" Wrench.....	1

## 2. INITIAL ASSEMBLY

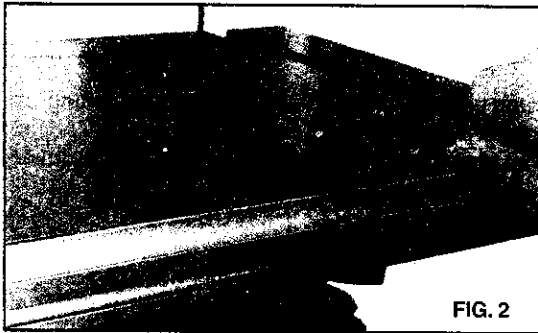
The machine is supplied partly assembled. Prior to use, the following items have to be installed: Table, Blade Tension Knob and Rip Fence.

**WARNING:** To Avoid injury, do not attempt to run or use this machine until all parts are assembled and working properly.

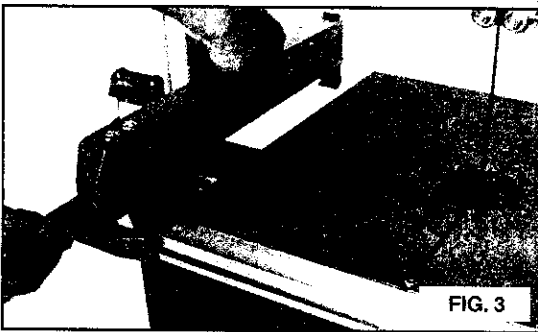
a. Assemble the upper table trunnion to the lower table trunion with Carriage Bolt, Glide Piece, Washer and Wing Nut. Place the table on to the upper table trunnion, taking care when passing the saw blade through the slot of the table (See Fig. 1). Locate four hex bolts and four lock washers from the bag of loose parts. Mount the table to the upper table trunnion and install a bolt with washer in each hole, then tighten with adjustable wrench.



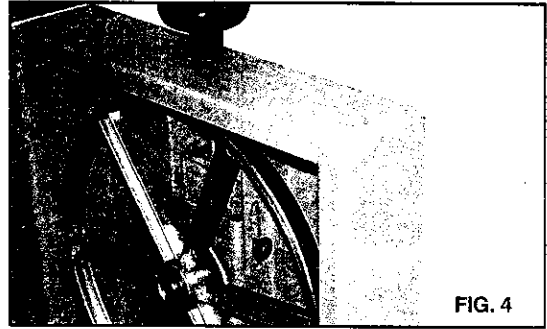
b. Fasten the guide rail with two each star knob screw and washer to the table. Use the hex socket head cap screw, washer and wing nut for correcting the working table flatness. (See Fig. 2)



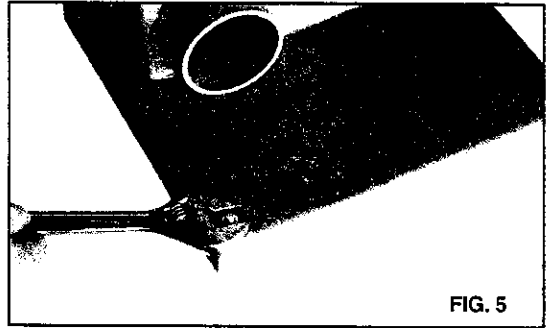
c. Lay the rip fence onto the guide rail. Adjust the rip fence parallel to the saw blade. Tighten rip fence handle by pressing downward. (See Fig. 3)



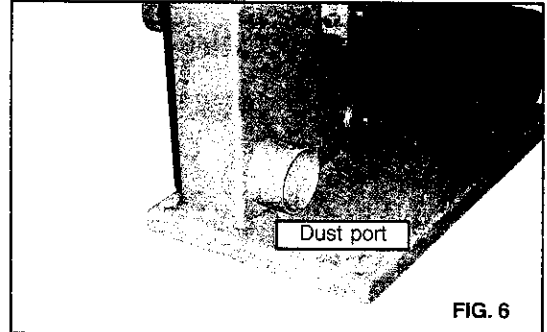
d. Place the blade tension knob on to the blade tensioner (See Fig. 4).



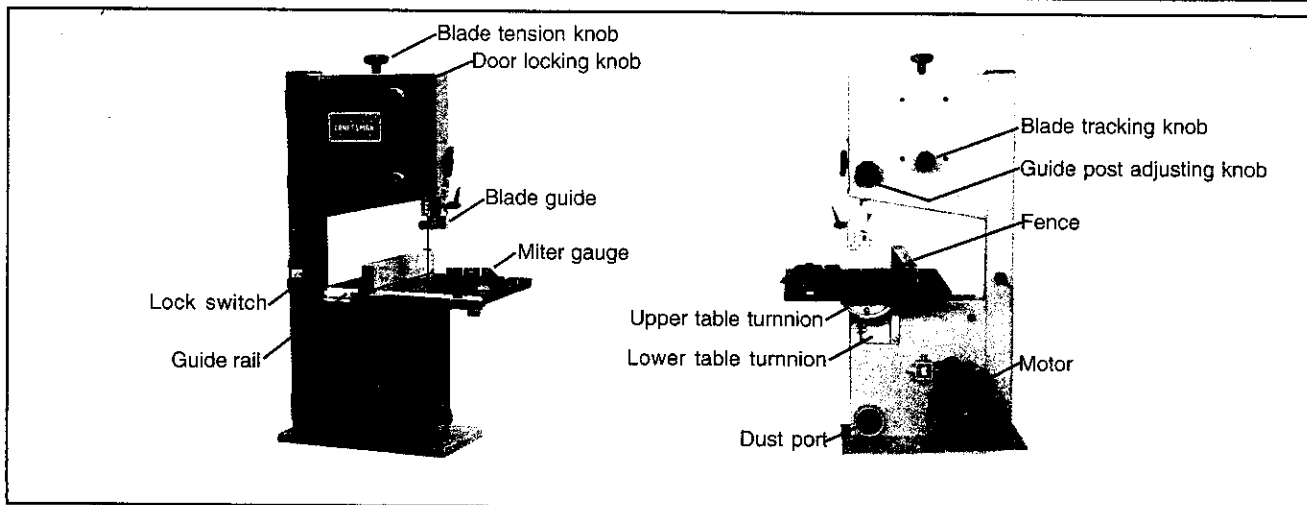
e. To ensure sufficient upright stability of the machine it should be bolted to floor, bench or worktable. For this purpose 6mm holes are provided in the machine's base. (See Fig. 5)



f. The bandsaw has a 2-1/2" dust port included. (See Fig. 6) It is recommended that when in use, the bandsaw is connected to a suitable dust collector.



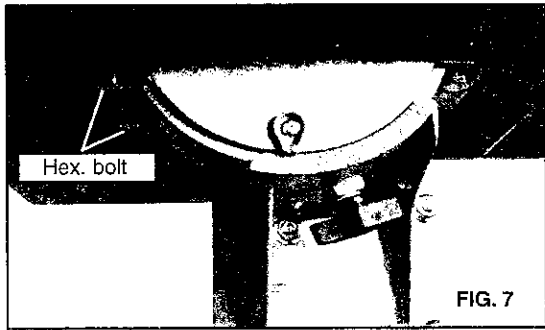
## GETTING TO KNOW YOUR BANDSAW



# ADJUSTMENT

## 1. CENTERING THE TABLE

a. Loosen the four hex. bolts mounting the table to the upper table trunnion. (See Fig. 7)

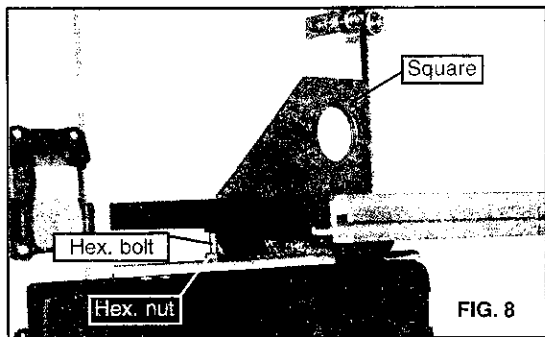


- b. Move the table sideways as required, until the saw blade runs through the center of the table insert.  
c. If the adjustment of "b" is not enough to center the table, loosen the four flange nuts holding the lower table trunnion and move the table sideways to place the table in the center.  
d. Re-tighten hex. bolts for trunnion, recheck the saw blade position.

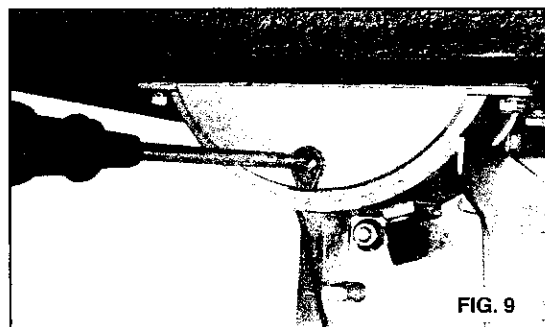
## 2. SETTING TABLE SQUARE TO SAW BLADE

Loosen the wing nut on the lower table trunnion and place a suitably sized square against the saw blade. If the table requires adjustment, proceed as follows:

- a. Using a wrench, release the hex. nut on the frame. (See Fig.8)  
b. Place the wrench on the hex. bolt and adjust until the table square to the saw blade.(See Fig.8)



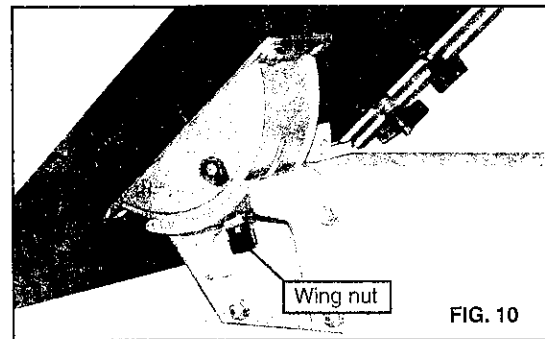
- c. Tighten the hex. nut and recheck the saw blade and the table for squareness.  
d. Lock the table into position and check that the indicator reads zero degree on the side of lower table trunnion. Loosen the screw securing the indicator and reset if necessary to give zero degree reading. (See Fig. 9)



## 3. TILTING THE TABLE

For bevel cuts, the table tilts 0 through 45 degrees.

- a. To tilt the table, loosen the wing nut on the table trunnion, set the table to the required angle and tighten the wing nut again (See Fig. 10).

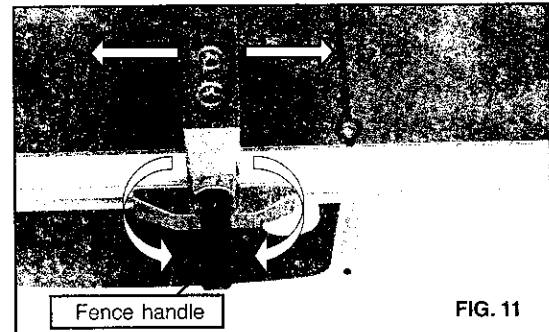


- b. It is recommended to verify the correct angle setting using an angle guide, or by making trial cuts in scrap wood. Adjust the indicator accordingly by using a phillips head screwdriver.

## 4. ADJUSTING THE RIP FENCE

The locking pressure of the rip fence has been factory-set, if adjustment is required proceed as follows:

- a. Raise the fence handle to horizontal position.  
b. Turn the fence handle clockwise to increase clamping pressure, counterclockwise to decrease clamping pressure.(See Fig. 11)  
c. After counterclockwise truning the fence handle, sliding the rip fence to the desired position on the guide rail.(See Fig. 11)  
d. The fence handle has a cam action, press down the handle to clamp tightly to the table after setting rip fence to desired position.



**NOTE:** Do not adjust the fence handle such that excessive pressure is exerted during operation - this may lead to deformation of the end clamp at the rear of the rip fence. Set the fence handle to apply just enough pressure to enable safe operation during cutting.

## 5. CHANGING AND ADJUSTING THE SAW BLADE

This bandsaw is factory-equipped with a general-purpose wood cutting blade, the saw blade is set prior to delivery. To change the saw blade, the following procedure must be followed:

**WARNING:** To avoid injury from unexpected starting, whenever changing the saw blade or carrying out adjustments, switch the bandsaw off and remove the power cord from the main outlet. To avoid injury to hands when handling the saw blade, wear gloves whenever necessary.

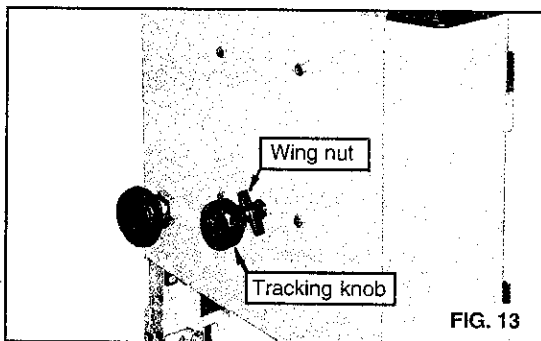
- Remove the rip fence, the guide rail, the wing nut and screw from the table.
- Open the upper and lower doors by turning the door locking knobs.
- Loosen the blade tension by turning the blade tension knob on the top of the upper wheel housing counterclockwise until the saw blade has slackened (viewed from above) (See Fig. 12).



- Remove the saw blade from the upper and lower wheels.
- When fitting the new saw blade ensure the blade teeth are pointing downwards and towards you at the position where the saw blade passes through the table.
- Re-tension the new saw blade and check the saw blade tracking by turning the upper wheel by hand. The saw blade should run in the center of the bandsaw wheels.
- If need adjust the tracking of the saw blade, proceed as mentioned below "TRACKING THE SAW BLADE"
- Replace the rip fence, the guide rail, the wing nut and screw to the table.
- Close the upper and lower doors by turning the door locking knobs before reconnecting the power supply.

## 6. TRACKING THE BANDSAW BLADE

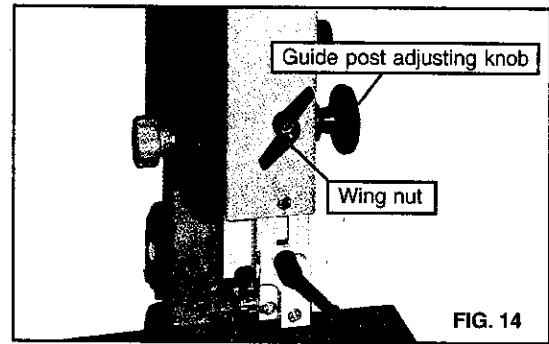
Set the tracking of the saw blade before setting the blade guides. Once the saw blade is installed and tensioned, track the saw blade by adjusting the tracking knob by hand (See Fig. 13). The saw blade should run in the center of the bandsaw wheels. When the correct adjustment is achieved lock the tracking knob with the wing nut.



## 7. SETTING THE CUTTING HEIGHT

- The upper blade guide should be set as close as practical against the workpiece.
- To adjust this height, loosen the wing nut at the side of the upper wheel housing. (See Fig. 14)

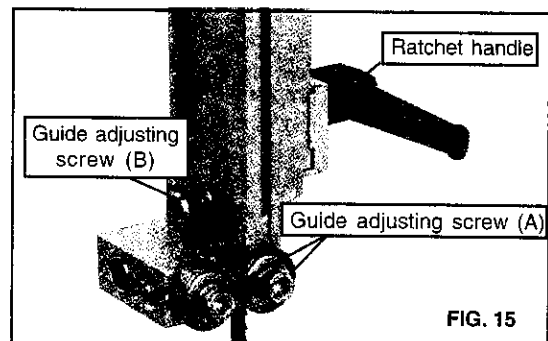
- Set the blade guide to the required height by turning the guide post adjusting knob.
- Tighten the wing nut after setting.



## 8. ADJUSTING THE BLADE GUIDES

### The Upper Blade Guide

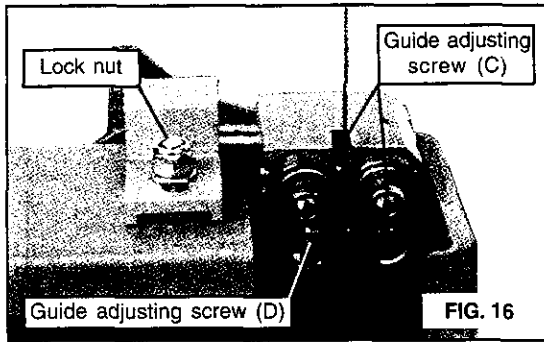
- To adjust the upper blade guides, first position the right and left roller guides relative to the blade by slackening the ratchet handle Fig.15 and moving the guide carrier until both roller guides are approximately 1/16" behind the gullets of the saw blade.
- Set both roller guides to within 1/32" of the saw blade by releasing the guide adjusting screw (A) Fig. 15 on each side of the saw blade. Do not set the roller guides too close as this will adversely affect the life of the saw blade.
- Adjust the rear roller guide to be just clear of the back of the saw blade by unlocking the guide adjusting screw (B) Fig. 15
- When the correct adjustment is reached, lock the rear roller guide in position with the guide adjusting screw (B) Fig.15



### The Lower Blade Guide

- To adjust the lower blade guides, first position the right and left roller guides relative to the blade by slackening the lock nut Fig.16 and moving the guide carrier until both roller guides are approximately 1/16" behind the gullets of the saw blade
- Set both roller guides to within 1/32" of the saw blade by releasing the guide adjusting screw (C) Fig. 16 on each side of the saw blade. Do not set the roller guides too close as this will adversely affect the life of the saw blade.
- Adjust the rear roller guide to be just clear of the back of the saw blade by unlocking the guide adjusting screw (D) Fig. 16

d. When the correct adjustment is reached, lock the rear roller guide in position with the guide adjusting screw (D) Fig.16



## 9. CHANGING THE DRIVE BELT

- Release the saw blade tension by turning the blade tension knob on the top of bandsaw counterclockwise.
- Using a M6 hex. "L" wrench (not provided) to release the hex. socket head cap screw on motor mounting flange. (See Fig. 17)



- Using a clip pliers (not provided) remove the retaining ring from the center of the lower wheel.
- Carefully slide the lower wheel forward and at the same time release the saw blade from this wheel.
- Remove the old drive belt and fit the new belt. (ensure ribs in drive belt are seated correctly before reassembling and tensioning the drive belt)
- Follow procedures for CHANGING AND ADJUSTING THE SAW BLADE & TRACKING THE BANDSAW BLADE, before restoring power to the bandsaw and setting up for use.

## OPERATION

**WARNING:** Before starting check if any part of your bandsaw is missing, malfunctioning, has been damaged or broken... such as the motor switch, or other operation control, a safety device or the power cord, turn the bandsaw off and unplug it until the particular part is properly repaired or replaced.

The saw blade cuts on a continuous downstroke. To avoid injury when hands are unavoidably near to the saw blade, they should be placed on either side of the blade, not in line with it. Use a push stick whenever possible when working in close proximity to the saw blade.

Start the bandsaw by turning the lock switch on and wait for the bandsaw to come to full speed before starting to cut. Never start the bandsaw with the workpiece in contact with the saw blade.

Slowly feed the workpiece towards the saw blade, putting only light pressure on it. With both hands, firmly hold the workpiece down on the table, and feed it towards the saw blade slowly.

For best results the saw blade must be sharp. Select the right saw blade for the job, depending on the thickness of the wood the cut to be made. The thinner and harder the wood, the finer the teeth of the saw blade. Use a fine tooth blade for cutting sharp curves.

The machine is especially suited for cutting curves, but will also make straight cuts. Do not attempt to turn the workpiece without pushing it, as this may cause the workpiece to get stuck, or the saw blade to bend.

The rip fence is to enable safe and accurate straight cuts of the workpiece, usually in the same direction as the grain of the timber.

The miter gauge is to enable safe and accurate crosscut of the workpiece.

The tiltable table is used for bevel cuts.

**WARNING:** When sawing with the rip fence and a tilted table, the rip fence must be installed on that side of the table which is tilted downward.

## MAINTENANCE

**WARNING:** To avoid injury due to unexpected starting, before cleaning or carrying out maintenance work, switch off and disconnect the bandsaw from the power source.

Never use water or other liquids to clean the bandsaw. Use a dry brush.

Regular maintenance of the bandsaw will prevent unnecessary problems.

- Keep the table clean to ensure accurate cutting.
- Keep the outside of the machine clean to ensure accurate operation of all moving parts and prevent excessive wear.
- Keep the ventilation slots of the motor clean to prevent it from overheating.
- Keep the inside (near the saw blade, etc.) clean to prevent accumulation of dust. Use dust collection if possible.
- To prolong the life of the saw blade, when the bandsaw is not in use for extended periods, release the saw blade tension. Before reusing the bandsaw ensure that the blade is re-tensioned and tracking is checked.

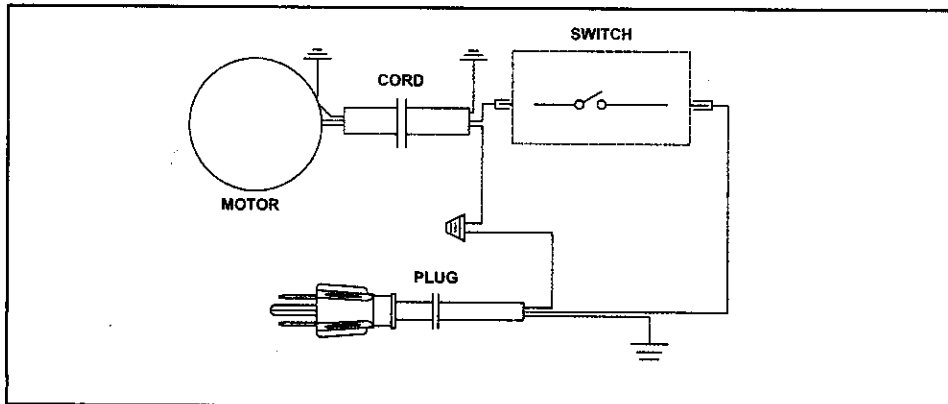


## TROUBLESHOOTING

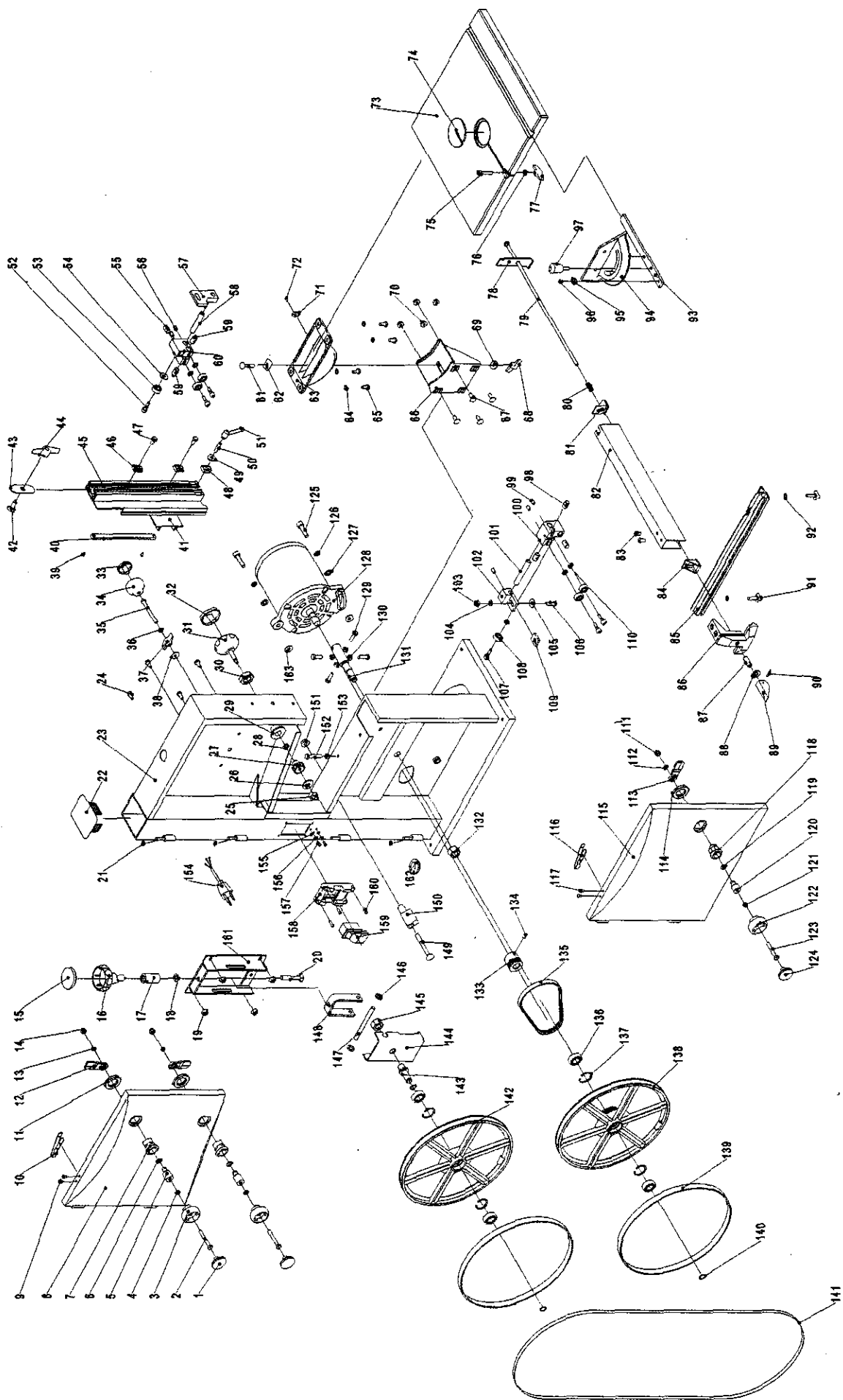
Problem	Diagnosis	Remedy
The machine does not work when switched on.	<ol style="list-style-type: none"> <li>1. No power supply.</li> <li>2. Defective switch.</li> <li>3. Defective motor.</li> </ol>	<ol style="list-style-type: none"> <li>1. Check the cable for breakage.</li> <li>2. Replace the lock switch.</li> <li>3. Defective motor.</li> </ol>
The saw blade does not move with the motor running.	<ol style="list-style-type: none"> <li>1. The blade tension knob has not been tightened.</li> <li>2. The blade has come off one of the wheels.</li> <li>3. The saw blade has broken.</li> <li>4. The drive belt has snapped.</li> </ol>	<ol style="list-style-type: none"> <li>1. Switch off the motor, tighten the blade tension knob.</li> <li>2. Open the doors and check.</li> <li>3. Replace the blade.</li> <li>4. Replace the belt.</li> </ol>
The saw blade does not cut in a straight line.	<ol style="list-style-type: none"> <li>1. Rip fence for cutting not used.</li> <li>2. Feed rate too fast.</li> <li>3. The blade teeth are dull or damaged.</li> <li>4. Blade guides not suitably adjusted.</li> </ol>	<ol style="list-style-type: none"> <li>1. Use a rip fence.</li> <li>2. Put light pressure on the workpiece. Make sure the saw blade does not bend.</li> <li>3. Try a new saw blade.</li> <li>4. Adjust the blade guides (see ADJUSTMENT instructions).</li> </ol>
The saw blade does not cut, or cuts very slowly.	<ol style="list-style-type: none"> <li>1. The teeth are dull, caused by cutting hard material or long use.</li> <li>2. The saw blade was fitted the wrong way on the bandsaw.</li> </ol>	<ol style="list-style-type: none"> <li>1. Replace the saw blade, use a 6 T.P.I. saw blade for wood and soft material. Use a 14 T.P.I. saw blade for harder materials. A 14 T.P.I. saw blade always cuts slower due to the finer teeth and the slower cutting performance.</li> <li>2. Fit the saw blade correctly.</li> </ol>
Sawdust builds up inside the machine.	This is normal	Clean the machine regularly. Open the doors and remove the sawdust with a vacuum cleaner.
Sawdust inside the motor housing.	This is normal	Clean the ventilating slots of the motor with a vacuum cleaner. From time to time remove the sawdust to prevent it from being drawn into the housing.
The machine does not cut at 45 or 90 degrees.	<ol style="list-style-type: none"> <li>1. The table is not at right angles to the blade.</li> <li>2. The saw blade is dull or too much pressure was put on the workpiece.</li> </ol>	<ol style="list-style-type: none"> <li>1. Adjust the table.</li> <li>2. Replace the saw blade or put less pressure on the workpiece.</li> </ol>
The saw blade can not be properly positioned on the wheels.	<ol style="list-style-type: none"> <li>1. The wheels are not in alignment or defective bearing.</li> <li>2. The blade tracking knob hasn't been properly adjusted.</li> <li>3. Inferior saw blade.</li> </ol>	<ol style="list-style-type: none"> <li>1. Replace bearing.</li> <li>2. Adjust the blade tracking knob (See ADJUSTMENT instructions).</li> <li>3. Replace the saw blade.</li> </ol>

## ELECTRICAL SCHEMATIC

**WARNING:** This machine must be grounded. To avoid electrocution or fire, any repairs to electrical system should be done only by a qualified electrician, using genuine replacement parts.



# PARTS LIST



KEY NO.	DESCRIPTION
1	Door locking knob Cap
2	Hex. Bolt M6x45
3	Door locking knob body
4	Hex. Nut M6
5	Slotted Insert
6	Special Spring Washer 10
7	Lock Housing
8	Upper Door
9	Rivet 4x8
10	Leaf Spring
11	Special Nut M22
12	Tongue Lock
13	Spring Washer 6
14	Lock Nut M6
15	Blade Tension Knob Cap
16	Blade Tension Knob Body
17	Blade Tensioner
18	Washer 8
19	Flange Nut M6
20	Carriage Bolt M8x50
21	Bushing Ring
22	Top Plug
23	Frame
24	Hex. Bolt M6x12
25	Lock Nut M6
26	Washer 6
27	Gear
28	Special Spring Washer 8
29	Tube
30	Plastic Nut M20
31	Adjusting Knob Body
32	Adjusting Knob Cap
33	Blade Tracking Knob Cap
34	Blade Tracking Knob Body
35	Hex. Bolt M6x60
36	Hex. Nut M6
37	Wing Nut M6
38	Washer 6
39	Tapping Screw ST3.5x13
40	Rack
41	Slider
42	Carriage Bolt M8x20
43	Bolt Guide
44	Wing Nut M8
45	Blade Guide
46	T-nut M6
47	Hex. Bolt M6x10
48	T-nut M6
49	Washer 6
50	Hex. Socket Set Screw M6x25
51	Ratchet handle
52	Guide Adjust Screw
53	Ball Bearing 6mm
54	Washer 6
55	Bearing Mount Cylinder
56	Hex. Socket Set Screw M6x10
57	Upper Guide Mount
58	Upper Guide Shaft
59	Bearing Mount Cylinder w/Cap
60	Upper Guide Body
61	Carriage Bolt M6x30
62	Glide Piece
63	Upper Table Trunion
64	Lock Washer 6
65	Hex. Bolt M6x12
66	Lower Table Trunion
67	Carriage Bolt M6x16
68	Wing Nut M6
69	Washer 6
70	Flange Nut M6
71	Indicator
72	Tapping Screw ST3.5x9.5
73	Table
74	Table Insert
75	Hex. Socket Head Cap Screw M6x30
76	Washer 6
77	Wing Nut M6
78	Fence Clamper
79	Threaded Rod
80	Spring
81	Rod Guide
82	Fence

KEY NO.	DESCRIPTION
83	Flat Countersunk Head Screw M6x10
84	Rod Guide
85	Guide Rail
86	Fence Carrier
87	Special Screw
88	Washer 10
89	Fence Handle
90	Roll Pin 3x18
91	Star knob screw
92	Washer 6
93	Aluminium Bar
94	Miter Gauge Base
95	Indicator
96	Pan Head Screw M5x6
97	Knob
98	Bearing Mount Cylinder
99	Hex. Socket Set Screw M6x10
100	Lower Guide Body
101	Lower Guide Shaft
102	Lower Guide Mount
103	Lock Nut M6
104	Washer 6
105	Washer 6
106	Hex. Bolt M6x20
107	Guide Adjust Screw
108	Ball Bearing 6mm
109	Guide Key
110	Washer 6
111	Lock Nut M6
112	Spring Washer 6
113	Tongue Lock
114	Special Nut M22
115	Lower Door
116	Leaf Spring
117	Rivet 4X8
118	Lock Housing
119	Special Spring Washer 10
120	Slotted Insert
121	Hex. Nut M6
122	Door locking knob Body
123	Hex. Bolt M6x40
124	Door locking knob Cap
125	Hex. Socket Head Cap Screw M8x30
126	Spring Washer 8
127	Washer 8
128	Motor
129	Hex. Bolt M6x20
130	Hex. Nut M6
131	Lower Bearing Bolt
132	Hex. Nut M14
133	Motor Pulley
134	Hex. Socket Set Screw M6x10
135	Drive Belt
136	Ball Bearing 12mm
137	Retaining Ring 28
138	Lower Wheel
139	Tire
140	Retaining Ring 12
141	Saw Blade
142	Upper Wheel
143	Upper Bearing Bolt
144	Wheel Carrier Bracket
145	Hex. Nut M14
146	Star Lock
147	Mount Shaft
148	Blade Tensioner
149	Carriage Bolt M8x65
150	Brush Strip
151	Flange Nut M8
152	Hex. Bolt M6x35
153	Hex. Nut M6
154	Cable w/Plug
155	Lock Washer 4
156	Washer 4
157	Pan Head Screw M4x8
158	Switch Cover Plate
159	Lock Switch
160	Pan Head Screw M4x12
161	Tension Bracket
162	Rubber Tube
163	Washer 8

## TABLE DE CONTENIDOS

Tabla de contenidos.....	12
Todo el año con garantía.....	12
Instrucciones de seguridad.....	12
Ensamblaje.....	14
Conocer tu sierra de cinta.....	15
Ajustacion.....	16
Operación.....	18
Mantenimiento.....	18
Solución de Problemas.....	19
Esquema eléctrico.....	19
Lista de partes.....	10
Español.....	12

## TODO EL AÑO CON GARANTÍA

En esta herramienta de artesano falla debido al defecto en material o habilidad dentro de un año desde la fecha de compra, llamar al 1-800-4-MY-HOME® para ORGANIZAR LA REPARACION GRATUITA. En esta herramienta es utilizado para los propósitos comerciales o de alquiler, esta garantía se aplicará por solo noventa días desde la fecha de compra. Este garantía se aplica solo cuando esta herramienta está en Estados Unidos. Este garantía te da los derechos legales específicos, y usted también puede tener otros derechos, por el cual varía, desde un estado al otro estado.  
Sears, Roebuck y Co, Dept 817 WA, Hoffman Estates, IL 60179

## INSTRUCCIONES DE SEGURIDAD

### ADVERTENCIA GENERAL DE SEGURIDAD

**SABER TU HERRAMIENTA DE PODER:** Leer el manual de usuario cuidadosamente. Aprender las aplicaciones de herramienta, capacidad de trabajo, y sus riesgos de potencia específico.

#### **PELIGRO**



#### **Siempre Todos los Herramientas en Tierra.**

Si tu herramienta está equipada con enchufe de tres-puntas, usted debe enchufarlo dentro de un recipiente eléctrico de tres-puntas. Si usted utiliza un adaptador para acomodarlo a un recipiente de dos-puntas, usted debe agarrar el enchufe de adaptador a tierra. Nunca remover la tercera punta del enchufe.

#### **Siempre evitar los peligros ambientales.**

Nunca utilizar los herramientas en sitios húmedos o mojados. Mantener tu área de trabajo bien iluminado y fuera de desorden.

#### **PELIGRO**



#### **Siempre Remover los botones de ajuste y arranque de los herramientas luego del uso.**

Formar el costumbre de chequear que los botones y ajuste de arranque están removidos del herramienta antes de encenderlo.

**Siempre guardar tu área de trabajo limpio.** Áreas y escritorios desordenados puede causar accidentes.

#### **PELIGRO**



#### **Siempre mantener los visitantes fuera del corrido de las máquinas.**

Todos los visitantes debe mantener una distancia segura desde el área de trabajo.

#### **Siempre hacer el taller de prueba de los niños**

Prueba de los niños con los candados, enchufes de maestro, o por quitanza de las llaves de comienzo.

#### **PELIGRO**



**Nunca operar los herramientas cuando está bajo de la influencia de las drogas, medicamentos o alcohol.**

**⚠ PELIGRO****Siempre poner la ropa apropiada.**

Nunca no poner la ropa o joyerías que puede agarrar en partes movidas.  
Caucho-exclusivo de calzado está recomendado para un calzado mejor.

**⚠ PELIGRO****Siempre utilizar las gafas de seguridad y poner la protección de oído.**

También utilizar la máscara de cara o de polvo si la operación de corte está empolvado.

**⚠ PELIGRO****Nunca ir demasiado lejos.**

Mantener tu calzado apropiado y equilibrar todo los tiempos.

**⚠ PELIGRO****Nunca pararse sobre herramientas.**

Puede ocurrir daños severos si el herramienta está emboquillado o si el herramienta de corte está conectada accidentalmente.

**⚠ PELIGRO****Siempre desconectar los herramientas.**

Desconectar los herramientas antes de servicio y cuando cambia los accesorios tal como filo, broca, y cortantes.

**Siempre evitar el comienzo de accidente.**

Asegurar que el enchufe está en posición "OFF" antes de enchufarlo dentro del cordón.

**Nunca dejar corrido de los herramientas descuidados.****⚠ PELIGRO****Siempre chequear por partes dañados.**

Antes de inicial o continuar el uso de los herramientas, la guardia o otras partes está dañado debe estar chequeado para asegurar que éste operará apropiadamente y realiza sus funciones deseados. Chequear por alineación de partes movidas, atar las partes movidas, ruptura de partes, montado, y cualquier otros condiciones que puede afectar sus operaciones. La guardia o otras partes dañados debe ser reparados o reemplazados apropiados inmediatamente.

**REGLAS ESPECIALES DE SEGURIDAD PARA SIERRA DE CINTA**




1. Siempre parar la sierra de cinta antes de remover los fragmentos de las piezas de la mesa.
2. Siempre mantener los manos y los dedos fuera del filo.
3. Nunca intenta de sierra el patrón que no tiene superficie plano, a no ser que utiliza un soporte apropiado.
4. Nunca mantener el material firmemente y alimentarlo dentro de filo a la velocidad moderado.
5. Siempre apagar la máquina si el material está retirado fuera de un corte incompleto.
6. Chequear para un tamaño de filo apropiado y tipos de espesor y tipos de material cortado.
7. Asegurar que la tensión de filo y pista de filo están ajustados apropiadamente.
8. Hacer cortes "alivio" antes de cortar curvas largos.
9. Liberar la tensión de filo cuando el sierra no será utilizado por un periodo largo.
10. Anotar y seguir las advertencias e instrucciones de seguridad que aparece sobre la puerta más bajo.

**⚠ WARNING****FOR YOUR OWN SAFETY**

- |  |  |
|--|--|
| 1. READ AND UNDERSTAND INSTRUCTION MANUAL BEFORE OPERATING BANDSAW                             | 7. Secure wheel guard covers before operating                                      |
| 2. Always wear eye protection  | 8. Adjust upper blade guard guide to just clear workpiece.                         |
| 3. Do not wear gloves, neckties, jewelry or loose clothing                                     | 9. Hold workpiece firmly against table and use miter gage and fence when possible. |
| 4. Check blade rotation and make certain that blade teeth point downward toward the table.     | 10. Do not remove jammed or cut-off pieces until blade has stopped.                |
| 5. Maintain proper adjustment of blade tracking and tension, blade guides and back-up bearings | 11. Disconnect machine from power source before making repairs or adjustments.     |
| 6. Keep hands out of path of saw blade.  | 12. Do not expose to rain or use in damp locations.                                |

# ENSAMBLAJE

## 1. Herramienta requerido para el ensamblaje

Item	Descripción	Cantidad
	Destornillador mediano.....	1
	Llave ajustable.....	1
	Cuadrado.....	1

## 2. Desensamblaje y chequeo de los contenidos

Modelo 119.214000 10" Cinta de sierra está embarcado completamente en una caja

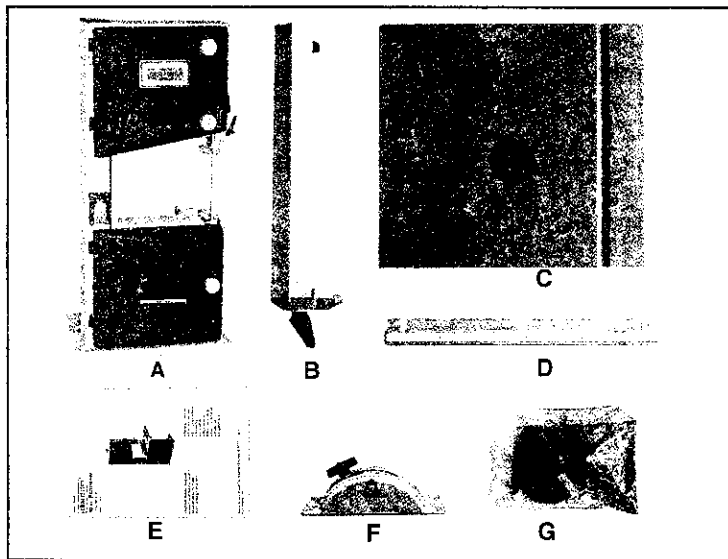
a. Separar todas las partes del cartón y chequear cada ítem con "posible T de los Contenidos Carton" para asegurar que todos los ítems están contados antes de descargar ninguna material del paquete.

b. Remover el aceite protector que está aplicada para la mesa. Utilizar algún agarro familiar tipo grasa y removedor.



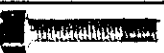








c. Aplicar una capa de pasta de cera para la mesa por la prevención de polvo. Limpiar todas las partes directamente con un paño seco y limpio.

## CONTENIDOS DE CARTON

Item	Descripción	Cantidad
A	Maquina principal.....	1
B	Perfil de Asamblaje.....	1
C	Tablero.....	1
D	Guía de Carril.....	1
E	Manual de Usuario.....	1
F	Asamblaje de Muñón de tablero superior.....	1
G	Paquete de Partes sueltos.....	1



## LISTA DE PARTES SUELTOS EN EL PAQUETE

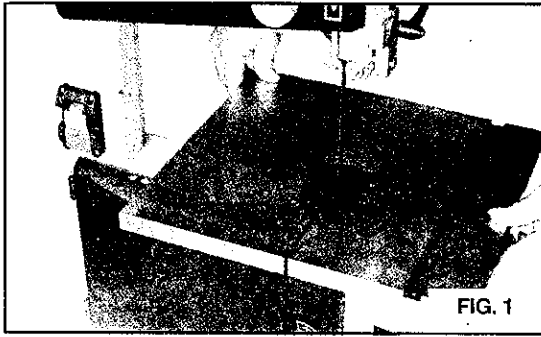
Item	Descripción	Cantidad
	Botón de tensión de filo.....	1
	Medidor.....	1
	Enchufe Hex M6x 30.....	1
	Arandela 6.....	1
	Tuerca de ala M6.....	1
	Rollo Hex M6x12.....	4
	Arandela bloqueado 6.....	4
	Comenzar de tirar el tornillo.....	2
	Arandela 6.....	2
	Llave Hex "L" M3.....	1
	Llave Hex "L" M5.....	1

## 2. EMSAMBLAJE INICIAL

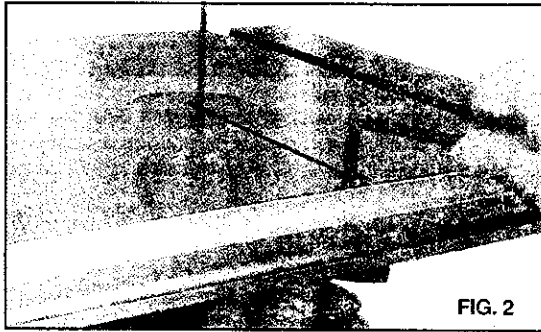
La máquina está parcialmente ensamblada. Prioridad para el uso, los ítem siguientes debe estar instalado: Mesa, Botón de tensión de filo y desgarrar el protector

**ADVERTENCIA:** para evitar el daño, no debe correr o utilizar esta máquina antes de que todas las partes están ensamblado y trabajado correctamente.

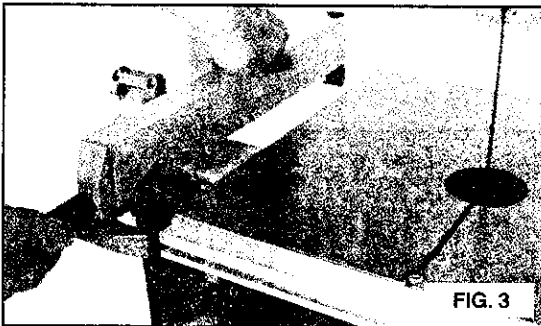
a. Ensamblar el tablero de muñón superior con el tablero de muñón inferior utilizando tornillo, pieza de ligadura, Arandela y ala excéntrico. Ubicar el tablero sobre el tablero de muñón superior cuidando cuando pasa la cinta de sierra a través de ranura de la mesa (Ver Fig. 1) Localizar cuatro cerrojo hex y cuatro arandela bloqueada del paquete de partes sueltas. Montar la mesa para la unión de tablero superior e instalar el cerrojo con arandela en cada agujero, luego ajustarlo con tornillo ajustable.



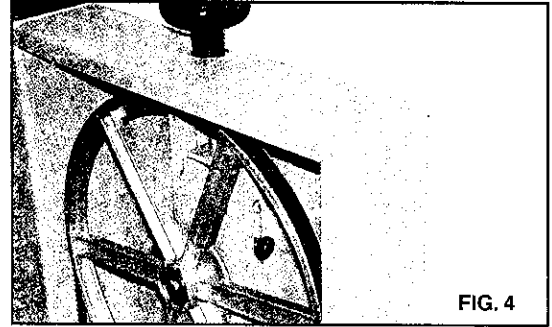
b. Ajustar el guía de carril con dos botones de rosca de comienzo y arandear al tablero. Utilizar el botón hex puntando el tronillo, arandelar y balancear para corregir el tablero de trabajo. (Ver Fig. 2)



c. Colocar el rasgón acerca sobre el guía de carril. Ajustar el rasgón acerca al paralelo a la cinta de sierra. Apretar el rasgón manejando presionarlo hacia abajo. (Ver Fig. 3)



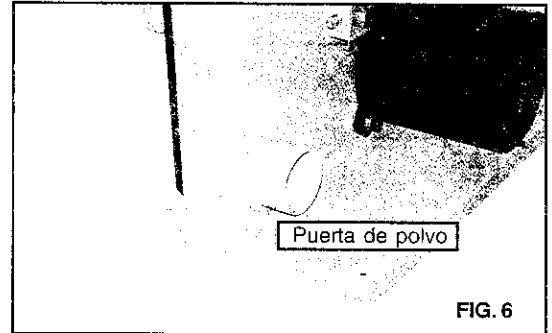
d. Ubicar botón de tensión de filo sobre el tensión de filo (Ver Fig. 4)



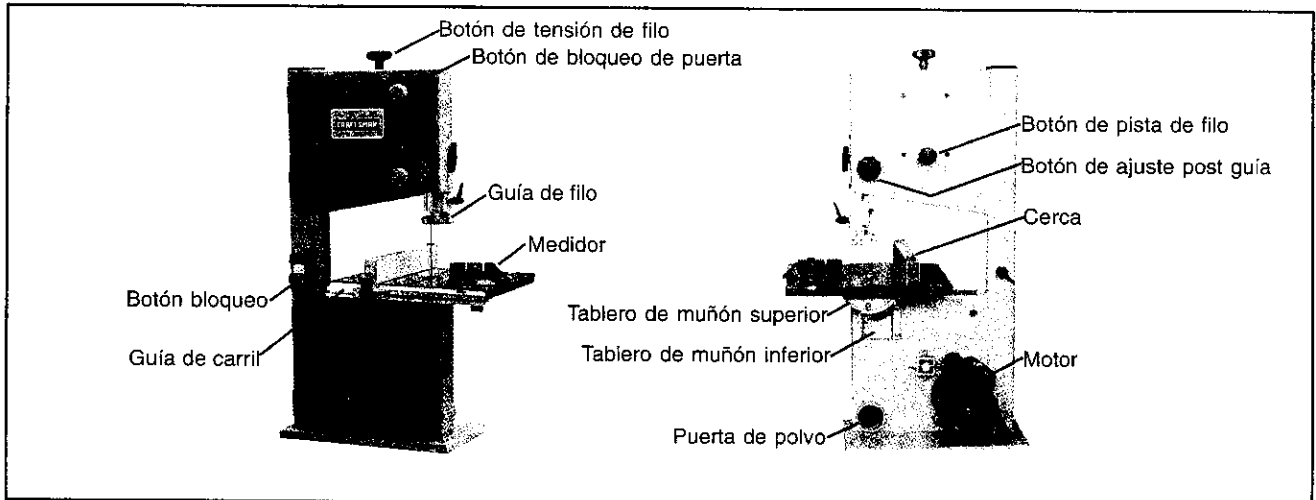
e. Para asegurar la estabilidad vertical suficiente de la máquina éste debe estar erguido al piso, banco o tabla del trabajo. Para este propósito agujeros 6mm están siempre en la base de la máquina (Ver Fig 5.)



f. Esta cinta de sierra tiene incluido puerta de polvo 2-1/2" (Ver Fig. 6) Este es recomendado cuando está en uso, la cinta de sierra está conectada al colector de polvo.



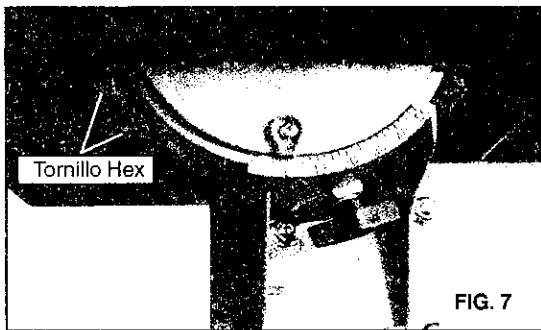
## CONOCER TU SIERRA DE CINTA



## AJUSTACION

### 1. CENTRALIZAR EL TABLERO

a. Soltar los cuatro botones hex mantado en el tablero para el muñón de tablero superior. (Ver Fig 7)



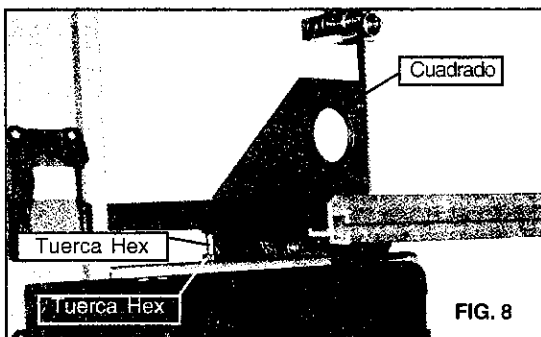
- b. Mover el tablero de lugar como requerido, hasta que sierra de cinta corre através del centro del inserción de tablero.  
c. Si el ajustación de "b" no es suficiente al centro de tablero, soltar los cuatro tuercas bridas reteniendo el muñón de tablero más bajo y mover el tablero para ubicarlo en el centro.  
d. Re-tirar los botones hex. Para munón, rechequear la posición de sierra de cinta.

### 2. COLOCAR TABLERO CUADRADO PARA SIERRA DE CINTA

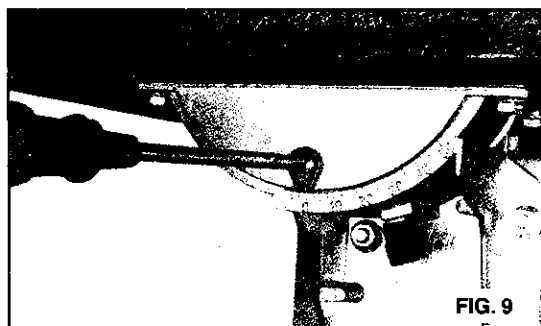
Soltar tuerca balanceado sobre muñón de tablero más bajo y ubiarlo a un tamaño cuadrado justo contra sierra de cinta.

Si el tablero requiere ajustación, proceder los siguientes:

- a. Utilizar una llave, relajar tuerca hex. Sobre el marco. (VER Fig.8)  
b. Ubicar la llave sobre botón hex. Y ajustarlo hasta el tablero forma con sierra de cinta. (Ver Fig.8)



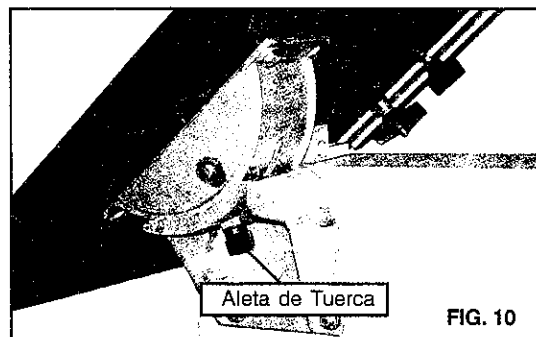
- c. Estirar tuerca hex. Y rechequear el sierra de cinta y el tablero para cuadrar.  
d. Bloquear el tablero dentro de posición y chequear que el indicador lee cero grado sobre el lado de muñón de tablero más bajo. Soltar el tornillo asegurando el indicador y resetearlo si es necesario para dar a cero grado. (Ver Fig. 9)



### 3. INCLINACION DE TABLERO

Para cortes biselado, el tablero inclina 0 grados hasta 45 grados.

- a. Para inclinar el tablero, soltar el tuerca balanceado sobre el muñón de mesa, ubicar el tablero para el angulo requerido y apretar el tuerca balanceado nuevamente (Ver Fig. 10)

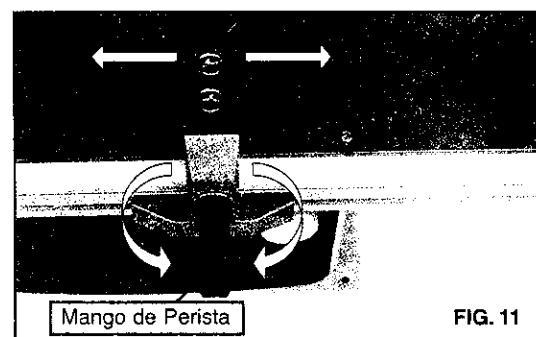


- b. Este es recomendado para verificar si el ángulo está correctamente angulado seleccionando utilizando una guía de angulo, o por corrido e corte marcado en fragmento de madera. Ajustar el indicador según por el uso de tornillo philips.

### 4. AJUSTE DE RASGON PERISCA

La presión de bloqueo del rasgón cerca está seleccionada por la fábrica, si requiere una ajustación, los procesos es como lo siguiente:

- a. Levantar la perisca hacia la posición horizontal.  
b. Cambiar la cerca en la dirección del aguja de reloj para incrementar la presión de abrazadera, contra la dirección del aguja de reloj para disminuir la presión de abrazadera (Ver Fig.11)  
c. Después de girar hacia la dirección del aguja de reloj, deslizar rasgón perisca para la posición deseada sobre el caril (Ver Fig 11)  
d. La perisca tiene acción leva, presionar hacia abajo el mango para abrazadero estirado a la mesa luego de seleccionar rasgón perisca a un posición deseado.



**NOTA:**No ajustar la perisca con muchas presiones ejercida durante la operación. Este puede llegar a deformar al final de abrazadero al levantar la perisca. Seleccionar perisca para aplicar con presiones suficientes para estar seguro durante el proceso de corte.

### 5. CAMBIAR Y AJUSTAR EL FILO DE SIERRA

Este sierra de cinta esta equipada por la fábrica con el propósito general de filo corta madera, el filo de sierra está seleccionado para distribución. Para cambiar el filo de sierra, los porcesos deben ser como lo siguiente:

**ADVERTENCIA:** Para evitar el daño no esperado, siempre cuando cambiar el filo de sierra o sacar los ajustes, apagar el sierra de cinta y sacar el cordón de energía desde la salida principal. Para evitar el daño a los manos cuando maneja el filo de sierra, poner guantes cuando es necesario.



- a. Remover la perisca, el caril guiada, el tuerca balanceada y tornillo desde el tablero.
- b. Abrir las puertas superiores e inferiores por botones de bloqueo de puertas.
- c. Soltar la tensión de filo por giro del botón de tensión de filo del ruedecillos superiores con la dirección de aguja de reloj hasta el sierra de filo está flojo (ver desde arriba) (Ver Fig. 12).



FIG. 12

- d. Remover el sierra de filo desde las ruedecillas superiores e inferiores.
- e. Cuando ajusta el nuevo sierra de filo asegurar que el diente de filo está apuntando hacia abajo y hacia usted a la posición cuando sierra de filo pasa a través del tablero.
- f. Re-tensionar el nuevo sierra de filo y chequear sierra de filo girando las ruedecillas superiores por mano. Sierra de filo debe recorrer dentro de centro de las ruedecillas de sierra de filo.
- g. Si es necesario de girar sierra de filo, procesarlo como mencionado lo siguiente "RASTREO DE SIERRA DE FILO"
- h. Reemplazar la perisca, el carril guiada, el tuerca balanceada y tornillo al tablero.
  - ii. Cerrar las puertas superiores e inferiores girando los botones del bloqueo de la puerta antes de reconectar el suministro de energía.

## 6. RASTREO DE SIERRA DE FILO

Seleccionar el rastreo de sierra de filo antes de seleccionar el guía de sierra. Una vez que el sierra de filo está instalado y tensionado, rastrear sierra de filo ajustando el botón de rastreo por mano (Ver Fig 13) Sierra de filo debería correr dentro del centro de las ruedecillas de sierra de filo. Cuando la ajustación está correctamente está bloqueado el rastreo del botón con tuerca balanceada.



FIG. 13

## 7. SELECCIONAR ALTURA DE CORTE

- a. El filo superior debería estar seleccionado contra las piezas de trabajo.
- b. Para ajustar este altura, soltar la tuerca balanceada al lado superior del ruedecilla. (Ver Fig. 14)

- c. Seleccionar el guía de filo por el altura requerido girando el botón de post ajuste.
- d. Apretar aleta de tuerca después de selección.



FIG. 14

## 8. AJUSTACION DE GUIA DE FILO

### Guía de filo superior

- a. Para ajustar los guías de filo superior, Primero lugar los guías derecho e izquierdo relativamente para el filo por aflojar la rueda Fig 15 y mover el carril guía hasta ambos guías están aproximadamente 1/16" detrás de garganta de sierra de filo.
- b. Seleccionar ambos guías de roller con menos de 1/32" de sierra de filo aflojando el tornillo de ajuste de guía (A) Fig.15 sobre cada lado de sierra de filo. No seleccionar guía de roller demasiado cerca debido que éste afecta desfavorablemente la vida de sierra de filo.
- c. Ajustar guía de roller para estar claro detrás de sierra de filo desbloqueando los tornillos de ajuste de guía. (B) Fig. 15
- d. Cuando la ajustación correcta se encuentra, bloquear el parte posterior de guía de rueda en posición con el tornillo de guía de ajuste (B) Fig.15

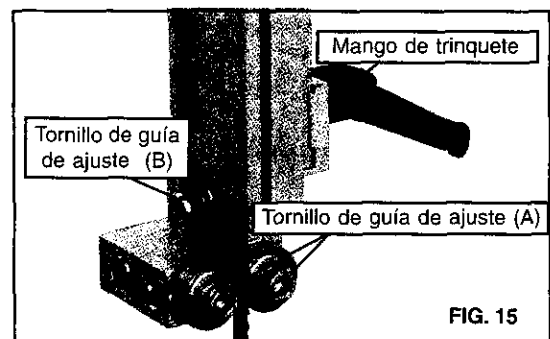
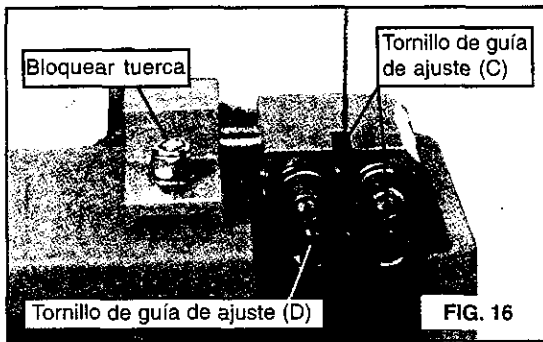


FIG. 15

### Guía de Filo inferior

- a. Para ajustar los guías de filo inferior, primer lugar los guías derecho e izquierdo relativamente para el filo por aflojar la rueda Fig.16 y mover el carril guía hasta ambos guías están aproximadamente 1/16" detrás de garganta de sierra de filo.
- b. Seleccionar ambos guías de roller con menos de 1/32" de sierra de filo aflojando el tornillo de ajuste de guía (C) Fig.165 sobre cada lado de sierra de filo. No seleccionar guía de roller demasiado cerca debido que éste afecta desfavorablemente la vida de sierra de filo.
- c. ajustar guía de roller para estar claro detrás de sierra de filo desbloqueando los tornillos de ajuste de guía. (D) Fig. 16



## 9. CAMBIO DE CORREA

- Aflojar la tensión de sierra de filo presionando el botón de tensión de sierra sobre el parte superior de sierra de filo en sentido de aguja de reloj.
- Utilizar una llave hex M6. "L" (no suministrado) para aflojar la cabeza de llave de encaje sobre el reborde de motor. (Ver Fig.17)

- Utilizar el alicate (no suministrado) remover el anillo retenido del centro del ruedecilla inferior.
- Sacar cuidadosamente la ruedecilla inferior y al mismo tiempo aflojar sierra de filo desde este ruedecilla.
- Remover correa vieja y ajustar una correa nueva. (asegurar la columna de correa está correctamente seteados antes de reunir y tensionar la correa)
- Seguir los procesos para CAMBIAR Y AJUSTAR SIERRA DE FILO & CARRIL SIERRA DE FILO, antes de reiniciar la energía para sierra de filo y seleccionarlo para el uso.

## OPERACIÓN

**ADVERTENCIA:** Antes de comenzar de chequear si alguna parte de su sierra de filo está perdido, malfuncionado, están dañado o roto...tal como varilla de motor, o otro control de operación, un fuente seguro o el cordón de energía, apagar sierra de cinta y desenchufarlo hasta que las partes están reparadas o reemplazadas apropiadamente.

Sierra de filo corta carreras continuos. Para evitar el daño cuando los manos están inevitablemente cerca de sierra de filo, ellos debern estar ubicado en otro lado del tablero, no en mismo línea con él. Utilizar la vara emujada cuando es posible durante el trabajo para aproximarse a sierra de filo.

Comenzar sierra de cinta girando el botón de bloqueo prendido y esperar que sierra de filo viene con toda la velocidad antes de comenzar de cortar. Nunca comenzar sierra de cinta con piezas de trabajo en contacto con sierra de filo.

Lentamente alimentar los piezas de trabajo hacia sierra de filo, poniendo solamente poca presión sobre él. Con ambos manos, firmes mantenidos en piezas de trabajo hacia el tablero, y alimentarlo hacia sierra de filo lentamente.

Para mejores resultados sierra de filo debe estar filoso. Seleccionar sierra de filo correcto para el trabajo, dependiendo sobre el grosor de la madera el corte hecho. La madera fino y duro, el diente de sierra de filo. Utilizar sierra con diente bueno para cortar en forma de curva.

La máquina está especialmente diseñado para cortar curvas, pero tambien hace cortes rectos. No pretende de sacar las piezas de trabajo son empujarlo, como esto puede causar pegado a piezas de trabajo, o doblar sierra de filo.

La perista da cortes de piezas de trabajo rectos segura y exacto, generalmente en misma dirección como grano de madera.

El medidor no está seguro y exacto para cortar los piezas de trabajo.

El tablero inclinado se usa para cortes biselado.

**ADVERTENCIA:** Cuando junta perisca con tablero inclinado, la perisca debe estar instalado en otro lado del tablero por el cual está hacia abajo.

## MANTENIMIENTO

**ADVERTENCIA:** Para evitar daño debido a un comienzo inesperado, antes de limpiar o cargarlo fuera de trabajo, apagarlo y desconectar sierra de filo desde el fuente de energía.

Nunca utilizar agua o otro líquido para limpiar sierra de filo. Utilizar cepillo seco.

Mantenimiento regular de sierra de filo podrá prevenir problemas innecesarios.

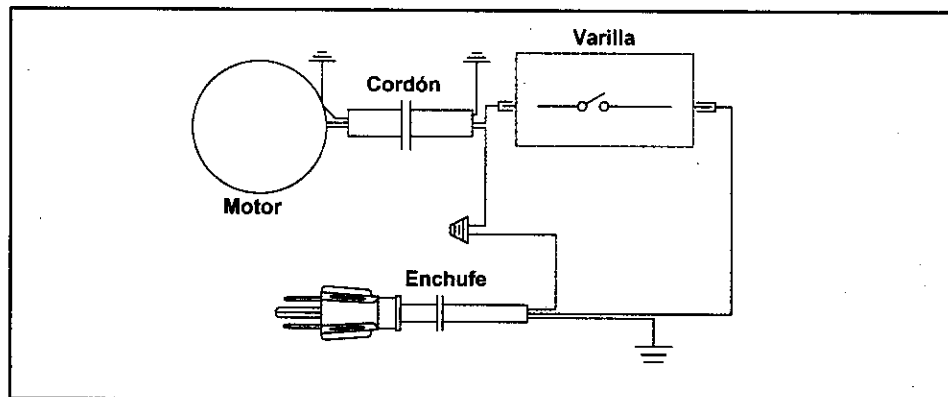
- Mantener limpio el tablero para asegurar el corte correcto.
- Mantener fuera de máquina limpio para asegurar la operación correcto de todas las partes moviendo y prevenir cargo excesivo.
- Mantener ranura de ventilación sobre el motor, limpiar para prevenirlo sobrecalentamiento.
- Mantener el interno limpio (cerca de sierra de filo, etc.) para prevenir acumulación de polvo. Utilizar colector de polvo si es posible.
- para prolongar la vida de sierra de filo, cuando sierra de cinta no se utiliza por un tiempo prolongado, soltar la tensión de sierra de filo. Antes de reusar sierra de cinta asegurar que sierra está chequeado el tensión y rastreo.

## SOLUCIÓN DE PROBLEMAS

Problema	Diagnostico	Remedio
La máquina no trabaja cuando enciende.	<ol style="list-style-type: none"> <li>1. No hay suministro de energía</li> <li>2. Enchufe defectuoso.</li> <li>3. Motor defectuoso</li> </ol>	<ol style="list-style-type: none"> <li>1. Chequear el cable daño</li> <li>2. Reemplazar el enchufe de bloqueo.</li> <li>3. Motor defectuoso</li> </ol>
Sierra de cinta no será removido cuando el motor está corriendo.	<ol style="list-style-type: none"> <li>1. Botón de tensión de filo no está bien ajustado.</li> <li>2. Sierra sale uno de los ruedecillas.</li> <li>3. Sierra de cinta está rota.</li> <li>4. El corrido de cinta está estallido</li> </ol>	<ol style="list-style-type: none"> <li>1. Apagar el motor, ajustar el botón de tensión de filo.</li> <li>2. Abrir las puertas y chequear.</li> <li>3. Reemplazar la sierra.</li> <li>4. Reemplazar la cinta.</li> </ol>
Sierra de cinta no corta en línea recta.	<ol style="list-style-type: none"> <li>1. Perisca para cortar no utilizable.</li> <li>2. Proporción de alimentación demasiado rápido.</li> <li>3. Sierra dentado está apagado o dañado.</li> <li>4. Sierra guiada no está ajustada apropiadamente.</li> </ol>	<ol style="list-style-type: none"> <li>1. Utilizar perisca.</li> <li>2. Poner luz de presión sobre pieza de trabajo. Asegurar que sierra de cinta no está doblado.</li> <li>3. Tratar un nuevo sierra de cinta.</li> <li>4. Ajustar sierra guiada (ver instrucciones de AJUSTACION)</li> </ol>
Sierra de cinta no corta, o corta demasiado lento.	<ol style="list-style-type: none"> <li>1. El dentado está apagador, causado por corte de material pesado o uso prolongado.</li> <li>2. Sierra de cinta está ajustado en forma incorrecto sobre sierra de cinta.</li> </ol>	<ol style="list-style-type: none"> <li>1. Reemplazar el sierra de cinta, utilizar el 6T.P.I. sierra de cinta para madera y material suave. Utilizar el 14 T.P.I. sierra de cinta para material pesado. El 14 T.P.I. sierra de cinta siempre corta mas despacio debido que el dentado y forma de corte más lento.</li> <li>2. Ajustar sierra de cinta correctamente.</li> </ol>
Polvo visto dentro de la máquina	Esto es normal	Limpiar la máquina regularmente. Abrir las puertas y remover el polvo visto con un paño de limpiar.
Polvo visto dentro del motor de alojamiento.	Esto es normal	Limpiar la ranura de ventilación del motor con paño de limpiar. Limpiar de vez en cuando para remover el polvo visto para prevenirlo que caiga dentro de alojamiento.
La máquina no corta a 45 o 90 grados.	<ol style="list-style-type: none"> <li>1.El tablero no está angulado correctamente al sierra.</li> <li>2.Sierra de cinta está apagado o demasiado presión está puesta sobre piezas de trabajo.</li> </ol>	<ol style="list-style-type: none"> <li>1.Ajustar el tablero.</li> <li>2.Reemplazar sierra de cinta o poner menos presión sobre piezas de trabajo.</li> </ol>
Sierra de cinta no puede estar apropiadamente posicionado sobre las ruedecillas.	<ol style="list-style-type: none"> <li>1.Las ruedecillas no están en alineación o marcación defectuoso.</li> <li>2.botón de pista de sierra no están ajustada apropiadamente.</li> <li>3.Sierra de cinta inferior</li> </ol>	<ol style="list-style-type: none"> <li>1.Reemplazar marcación.</li> <li>2.Ajustar el botón de pista de sierra (Ver instrucciones AJUSTACION).</li> <li>3.Reemplazar sierra de cinta.</li> </ol>

## ESQUEMA ELÉCTRICO

**ADVERTENCIA :** Este máquina debe estar en tierra. Para evitar electrocución o fuego, todas las reparaciones eléctricas deber estar hecho solamente por electricistas calificados, utilizando los partes reemplazantes auténtico.



# Get it fixed, at your home or ours!

## Your Home

For repair – **in your home** – of **all** major brand appliances, lawn and garden equipment, or heating and cooling systems, **no matter who made it, no matter who sold it!**

For the replacement parts, accessories and owner's manuals that you need to do-it-yourself.

For Sears professional installation of home appliances and items like garage door openers and water heaters.

**1-800-4-MY-HOME®** (1-800-469-4663)

Call anytime, day or night (U.S.A. and Canada)

[www.sears.com](http://www.sears.com)    [www.sears.ca](http://www.sears.ca)

## Our Home

For repair of carry-in items like vacuums, lawn equipment, and electronics, call or go on-line for the location of your nearest **Sears Parts & Repair Center.**

**1-800-488-1222**

Call anytime, day or night (U.S.A. only)

[www.sears.com](http://www.sears.com)

To purchase a protection agreement (U.S.A.) or maintenance agreement (Canada) on a product serviced by Sears:

**1-800-827-6655** (U.S.A.)

**1-800-361-6665** (Canada)

Para pedir servicio de reparación a domicilio, y para ordenar piezas:

**1-888-SU-HOGAR<sup>SM</sup>**

(1-888-784-6427)

Au Canada pour service en français:

**1-800-LE-FOYER<sup>MC</sup>**

(1-800-533-6937)

[www.sears.ca](http://www.sears.ca)



## Free Manuals Download Website

<http://myh66.com>

<http://usermanuals.us>

<http://www.somanuals.com>

<http://www.4manuals.cc>

<http://www.manual-lib.com>

<http://www.404manual.com>

<http://www.luxmanual.com>

<http://aubethermostatmanual.com>

Golf course search by state

<http://golfingnear.com>

Email search by domain

<http://emailbydomain.com>

Auto manuals search

<http://auto.somanuals.com>

TV manuals search

<http://tv.somanuals.com>