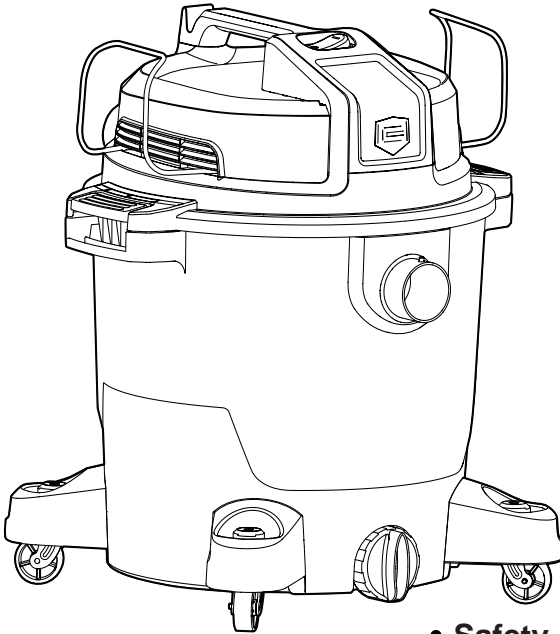




12 Gallon Wet/Dry Vacuum

Model No. 125.12006



CAUTION: Before using this product, read this manual and follow all its Safety Rules and Operating Instructions.

- Safety
- Assembly
- Operation
- Maintenance
- Parts
- Español - página 16

Warranty

CRAFTSMAN ONE YEAR FULL WARRANTY

FOR ONE YEAR from the date of purchase, this product is warranted against defects in material or workmanship. A defective product will be replaced free of charge.

For warranty coverage details to obtain free replacement, visit the web page: www.craftsman.com/warranty

This warranty does not cover bags, filters, hose or attachments, which are expendable parts that can wear out from normal use within the warranty period. This ONE YEAR warranty is void if this product is ever used while providing commercial services or if rented to another person. For 90 DAY commercial and rental use terms, see the Craftsman warranty web page.

This warranty gives you specific legal rights, and you may also have other rights which vary from state to state.

Sears Brands Management Corporation, Hoffman Estates, IL 60179

IMPORTANT SAFETY INSTRUCTIONS

READ AND UNDERSTAND ALL INSTRUCTIONS BEFORE USING THIS VACUUM

Read and understand this operator's manual and all labels on the Wet/Dry Vacuum cleaner before operating. Safety is a combination of common sense, staying alert and knowing how your vacuum works. Use this Wet/Dry Vac only as described in this manual. To reduce the risk of personal injury or damage to your Wet/Dry Vac, use only Craftsman recommended accessories.

Household Type

SAVE THIS MANUAL FOR FUTURE REFERENCE.

When using an electrical appliance, basic precautions should always be followed including the following:

WARNING: TO REDUCE THE RISK OF FIRE, ELECTRIC SHOCK OR INJURY:

- Do not run vac unattended.
- Do not vacuum, or use this Wet/Dry Vac near flammable liquids, gases, or explosive vapors like gasoline or other fuels, lighter fluids, cleaners, oil-based paints, natural gas, hydrogen, or explosive dusts like coal dust, magnesium dust, grain dust, or gun power. Sparks inside the

motor can ignite flammable vapors or dust.

- Do not vacuum anything that is burning or smoking, such as cigarettes, matches, or hot ashes.
- Keep cord away from heated surfaces.
- Do not expose to rain. Store indoors.
- Do not unplug by pulling on cord. To unplug, grasp the plug, not the cord.
- Do not use with damaged cord, plug or other parts.
- If vac is not working as it should, has been dropped, damaged, left outdoors, or dropped into water, take it to a service dealer for inspection and repair before using it again.
- Do not pull or carry by cord, use cord as handle, close a door on cord, or pull cord around sharp edges or corners.
- Do not run Wet/Dry Vac over cord.
- Do not handle plug or the Wet/Dry Vac with wet hands.
- To reduce the risk of health hazards from vapors or dusts, do not vacuum toxic materials.
- Do not store near hazardous materials.
- Do not use this Wet/Dry Vac with a torn filter or without the filter installed except when vacuuming liquids as described in the operation section of this manual.
- Do not allow to be used as a toy. Close attention is necessary when used by or near children.
- To reduce the risk of injury from accidental

starting, unplug power cord before changing or cleaning filter.

- Do not leave Wet/Dry Vac unattended when plugged in. Unplug from outlet when not in use and before servicing.
- Turn off Wet/Dry Vac before unplugging.
- Do not put any object into ventilation openings. Do not vacuum with any ventilation openings blocked; keep free of dust, lint, hair or anything that may reduce air flow.
- Keep hair, loose clothing, fingers, and all parts of body away from openings and moving parts.
- To reduce the risk of falls, use extra care when cleaning on stairs.

When using as blower:

- Direct air discharge only at work area.
- Do not use Wet/Dry Vac as a sprayer.
- Do not direct air at bystanders.
- Keep children away when blowing.
- Wear safety goggles.

Polarized Plug

To reduce the risk of electrical shock, this appliance has a polarized plug (one with the blade wider than the other). This plug will fit in a polarized outlet only one way. If the plug does not fit fully in the outlet, reverse the plug. If it still does not fit, contact a qualified electrician to install the proper outlet. Do not change the plug in any way. Double insulation eliminates the need for the three wire grounded power cord and grounded power supply system.

Observe the following warnings that appear on the motor housing of your Vac:

DOUBLE INSULATED
GROUNDING NOT REQUIRED.
WHEN SERVICING USE ONLY
IDENTICAL REPLACEMENT PARTS.

⚠ WARNING

- For your own safety, read and understand owner's manual.
- Do not allow unit to be in operation if unattended.
- Do not pick up hot ashes, coals, toxic, flammable or other hazardous materials.
- Do not use around explosive liquids or vapors.

⚠ WARNING: To reduce the risk of electric shock - do not expose to rain - store indoors.

⚠ WARNING: When using as a blower: Wear safety goggles labeled "ANSI Z87.1" (Canada CSA Z94.3) on the package. Turn unit off before setting on ground or releasing grasp of handle. Electric shock could occur if used on wet surfaces. Direct tool discharge only at work area. Do not direct discharge at bystanders. Keep children away.

Extension Cords

When using an extension cord with your Wet/Dry Vac refer to the following table to determine the required A.W.G. (American Wire Gauge) wire size. Before using Wet/Dry Vac, make sure it is in good working condition, including power cord. Also, make sure extension cord is in good working condition prior to use. Make repairs or replacements before using the vacuum cleaner. Only use extension cords that are rated for outdoor use.

| 110V-120V | Length of Extension Cord | | | |
|-----------|--------------------------|-------------------------|-------------------------|-------------------------|
| | 25 Feet 7.5 Meters | 50 Feet 15.25 Meters | 100 Feet 30.5 Meters | 150 Feet 45.7 Meters |
| Amps | A.W.G Wire Size | | | |
| 0-6 | 18 | 16 | 16 | 14 |
| 7-10 | 18 | 16 | 14 | 12 |
| 11-12 | 16 | 16 | 14 | 12 |
| 13-16 | 14 | 12 | Not recommended | |

Introduction

This Wet/Dry Vac is intended for vacuuming wet and dry materials and may be used as a blower.

Read this operator's manual to familiarize yourself with the product features and to understand the specific usage of your new Wet/Dry Vac.

Table of Contents

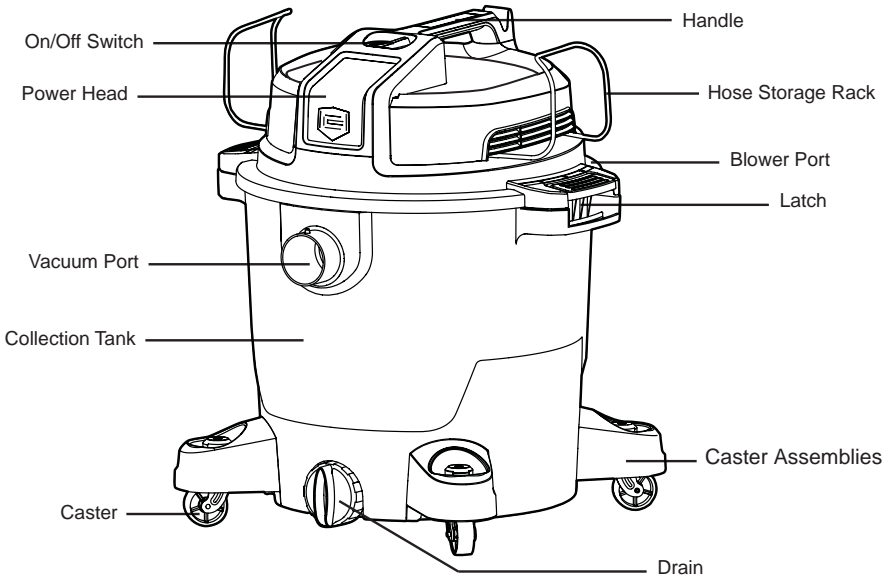
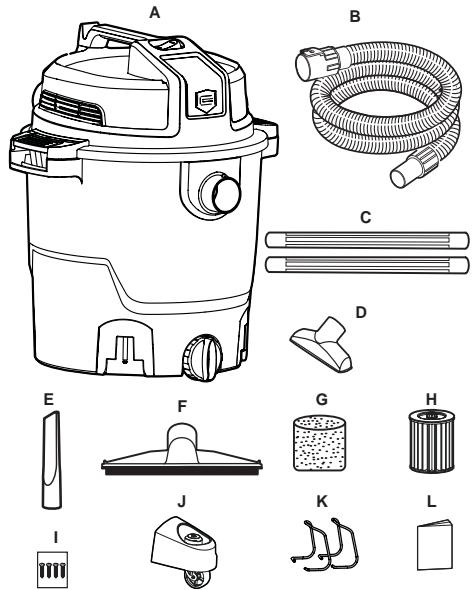
| Section | Page | Section | Page |
|---|-------------|---|-------------|
| Warranty | 2 | Maintenance | 10 |
| Important Safety Instructions | 2 | Emptying the Collection Tank..... | 10 |
| Polarized Plug | 3 | Installing & Cleaning the Supplied Cartridge Filter..... | 10 |
| Extension Cords..... | 3 | Installing A Replacement Cartridge Filter | 11 |
| Introduction | 4 | Installing & Cleaning Foam Sleeve Filter..... | 12 |
| Table of Contents..... | 4 | Cleaning & Disinfecting the Wet/Dry Vac | 12 |
| Assembly | 5 | Storage..... | 12 |
| Carton Contents List | 5 | Troubleshooting | 13 |
| Unpacking Your Wet/Dry Vacuum & General Assembly | 6 | Repair Parts..... | 14 |
| Operation..... | 7 | | |
| Vacuuming Dry Materials | 7 | | |
| Vacuuming Liquids | 8 | | |
| Blowing Feature | 9 | | |

Assembly

Remove entire contents of carton and check for parts inside the collection tank. Check each item against the Carton Contents List. If any parts are missing or damaged please call 1-800-469-4663 for replacement.

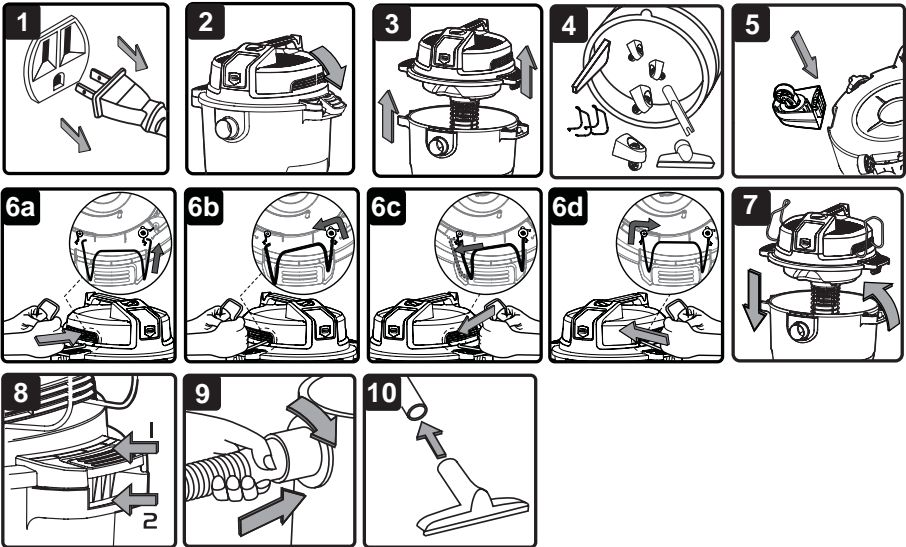
Carton Content List

| Key | Description..... | Qty. |
|-----|------------------------------|------|
| A | Vac Assembly..... | 1 |
| B | Hose | 1 |
| C | Extension Wands | 2 |
| D | Utility Nozzle | 1 |
| E | Crevice Tool | 1 |
| F | Floor Squeegee Nozzle | 1 |
| G | Foam Sleeve Filter | 1 |
| H | Cartridge Filter..... | 1 |
| I | Caster Assembly Screws | 4 |
| J | Caster Feet Assemblies | 4 |
| K | Hose Storage Rack..... | 2 |
| L | Operator's Manual | 1 |



Assembly (continued)

A Phillips head screw driver is required.



▲ WARNING: Do not plug in power cord to power outlet, make sure plug is disconnected before assembling the wet/dry vac.

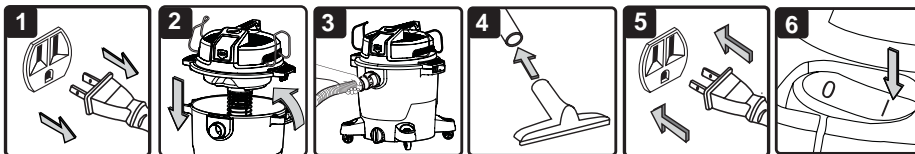
UNPACKING YOUR WET/DRY VACUUM & GENERAL ASSEMBLY

1. Verify that the power cord is disconnected from the outlet. (Fig. 1)
2. Undo the latches. (Fig. 2)
3. Lift the power head off the collection tank and place on a flat clean surface. (Fig. 3)
4. Remove the contents from inside the collection tank, make sure you have all contents as listed on carton content list on page 5. (Fig. 4)
5. With the power head removed, turn the collection tank upside down. Insert the four caster assemblies into each socket. Apply pressure until caster assemblies fully seated. (Fig. 5) Secure them with the screws provided. Do not over tighten the screws.
6. Position the hose storage rack as illustrated. Fully insert one end of the hose storage rack into the slot illustrated by the arrow, then pull the other end of the hose storage rack to align with the corresponding arrow and insert into the slot until it is secured in place. (Fig. 6a - Fig. 6d)
7. Place the power head back on the collection tank, and secure into place using the 2 side latches. (Fig. 7 & Fig. 8)
8. Insert the locking end of the hose into the port on the collection tank and turn to lock in to place. (Fig. 9)
9. Choose the desired accessory and insert onto the end of the hose (Fig. 10)
10. After vac use, store hose, accessories and cord as illustrated on page 12.

Operation

Vacuumping Dry Materials

⚠ WARNING: Be sure to read, understand and apply all the information in the Important Safety Instructions section at the beginning of this operator's manual. Do not vacuum in areas with flammable gases, vapors, or explosive dusts in the air. Flammable gases or vapors include but are not limited to: lighter fluid, solvent type cleaners, oil-base paints, gasoline, alcohol or aerosol sprays. Explosive dusts include but are not limited to: coal, magnesium, grain or gun powder. To reduce the risk of health hazards from vapors or dust, do not vacuum toxic materials.



1. Verify that the power cord is disconnected from the outlet. (Fig. 1)
2. For dry vacuuming, the cartridge filter must be installed correctly. To verify, please refer to Installing Cartridge Filter on page 10.
3. Place the power head back on the collection tank, and secure it in place using the latches. (Fig. 2)
4. Insert the locking end of the hose into the vacuum port and lock in place. (Fig. 3).
5. Choose the desired accessory and insert onto the end of the hose. (Fig. 4)
6. Plug the power cord into the outlet. (Fig. 5)
7. Turn the motor on by pressing the power switch to the 'I' (ON) position and begin vacuuming. (Fig. 6)
8. Once you have completed vacuuming, press the power switch to the 'O' (OFF) position and unplug the power cord from the outlet.

O = OFF I = ON

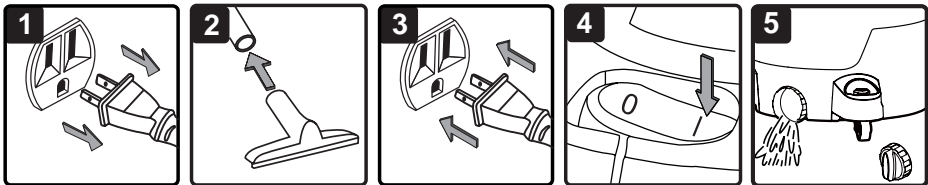
DO NOT USE THE CARTRIDGE FILTER FOR LIQUID VACUUMING.

CAUTION: Do not vacuum drywall dust, fireplace soot or ash with standard Wet/Dry filter. This is very fine dust which will not be captured by the filter and may cause damage to motor. To purchase the fine dust filter, call 1-800-469-4663 or visit a Sears store.

Operation (continued)

Vacuumping Liquids

- ⚠ WARNING:** Be sure to read, understand and apply all the information in the Important Safety Instructions section at the beginning of this operator's manual. Do not vacuum in areas with flammable gases, vapors, or explosive dusts in the air. Flammable gases or vapors include but are not limited to: lighter fluid, solvent type cleaners, oil-base paints, gasoline, alcohol or aerosol sprays. Explosive dusts include but are not limited to: coal, magnesium, grain or gun powder. To reduce the risk of health hazards from vapors or dust, do not vacuum toxic materials.
- ⚠ WARNING:** Do not plug in power cord to power outlet, make sure plug is disconnected before assembling the Wet/Dry Vac.



1. Verify that the power cord is disconnected from the outlet. (Fig. 1)
2. Remove cartridge filter as shown in Removing and Cleaning Cartridge Filter on page 10. Then install the foam sleeve filter as shown in Installing Foam Sleeve Filter on page 12 and secure power head back on the collection tank.

DO NOT USE THE CARTRIDGE FILTER FOR LIQUID VACUUMING.

3. Fit the desired nozzle to the vacuum hose. (Fig. 2)
4. Verify that the power switch is in the 'O' OFF position before plugging the power cord into the outlet. (Fig. 3)
5. Turn the motor on by pressing the switch to the 'I' ON position. (Fig. 4)
6. Once you have completed vacuuming, press the power switch to the 'O' (OFF) position and unplug the power cord from the outlet.
7. After use, empty the collection tank by unscrewing the drain cap and drain liquids into suitable receptacle or drain. (Fig. 5) Remember to refit the drain cap to the tank after draining.

IMPORTANT! When vacuuming large quantities of liquids, do not immerse the nozzle completely in the liquid; leave a gap at the tip of the nozzle opening to allow air inflow. The machine is fitted with a float valve that stops the suction action when the collection tank reaches its maximum capacity. You will notice an increase in motor speed. When this happens, turn off the machine, disconnect from power supply, and drain the liquid into a suitable receptacle or drain. To continue vacuuming, refit the collection tank with the drain cap. After wet vacuuming, turn the machine off and remove plug from power supply. Empty the collection tank, clean and dry the inside and outside before storage.

REMEMBER! The foam filter must be removed after wet vacuuming and a cartridge filter must be installed before dry vacuuming again.

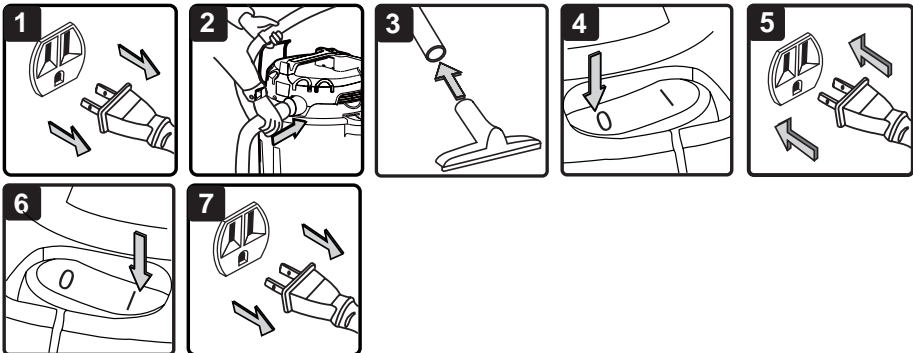
Operation (continued)

Blowing Feature

▲ WARNING: Always wear safety goggles complying with ANSI Z87.1 (or in Canada, CSA Z94.3) before using blower.

▲ WARNING: Keep bystanders clear from blowing debris.

▲ WARNING: Wear a dust mask if blowing creates dust that might be inhaled.

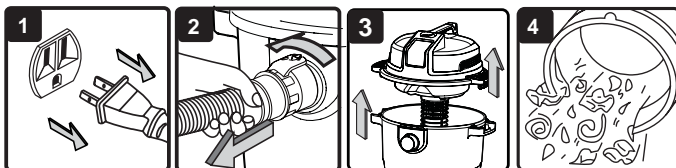


This Wet/Dry Vac has blowing capabilities. To use the blower feature follow the instructions listed.

1. Verify that the power cord is disconnected from the outlet. (Fig. 1)
2. Make sure the collection tank is empty before using as a blower.
3. Remove hose from the vacuum port.
4. Insert the larger end of the hose into the blowing port on the back side of the power head. (Fig. 2)
5. Fit the desired attachment to the hose. (Fig. 3)
6. Verify that the power switch is in the 'O' OFF position before plugging the power cord into the outlet. (Fig. 4, Fig. 5)
7. Before turning ON the vac, firmly hold the loose end of the hose. Turn the motor on by pressing the switch to the 'I' ON position. (Fig. 6)
8. Once you have completed blowing, press the power switch to the 'O' (OFF) position and unplug the power cord from the outlet. (Fig. 7)

Maintenance

Emptying the Collection Tank

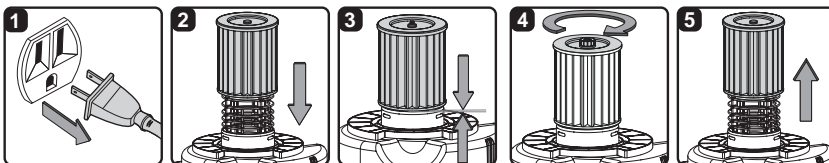


1. Verify that the power cord is disconnected from the outlet. (Fig. 1)
2. Disconnect the hose from the vacuum. (Fig. 2)
3. Undo the latches and remove the power head from the collection tank. (Fig. 3)
Place power head on a soft, clean surface upside down.
4. Clear all dirt or debris from the collection tank and hose into a proper waste container. (Fig. 4)
5. Clean or replace the filters.
6. Check the hose, attachments, and power cord to verify that they have not been damaged.

7. Place power head on collection tank and secure latches.

NOTICE! The filter included is made of high quality material designed to stop small dust particles. The filter should be used for dry pick-up only. A dry filter is necessary to pick up dust. If the dust filter is wet, it will clog quickly and be very difficult to clean. Handle the filter carefully when removing it for cleaning and replacing it. Check the filters for tears or small holes; a small hole can let dust pass through and out of the cleaner. Do not use a filter with holes or tears; replace it immediately.

Installing & Cleaning the Supplied Cartridge Filter



Installing Cartridge Filter

1. Verify that the power cord is disconnected from the outlet. (Fig. 1)
2. Undo the latches and remove the power head from the collection tank.
3. Place power head on a clean surface in upside down position.
4. Slide the cartridge filter over the filter cage. (Fig. 2) Carefully push filter down until it is fully seated on the power head. (Fig. 3)
5. To secure filter; put on retainer nut and turn clockwise to tighten until snug. Do not over tighten. (Fig. 4)

Removing and Cleaning Cartridge Filter

1. Position power head in the upside down position. If the retainer nut was used to secure the filter, remove retainer nut by turning counter clockwise.
2. Carefully lift filter up from filter cage. (Fig. 5)

NOTE: For best cartridge filter cleaning results, cleaning should be conducted outdoors and not indoors.

3. To clean a dry cartridge filter after it has been removed, gently tap it against the inside wall of the container or brush the dirt off. Debris will begin to break up, loosen and fall.

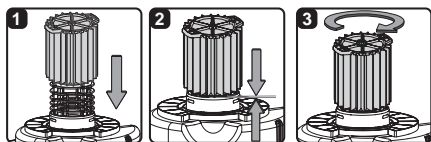
Maintenance (continued)

IMPORTANT! Clean or change the cartridge filter regularly for best performance.
ALWAYS USE CARTRIDGE FILTER FOR DRY VACUUMING. If the machine is used without the cartridge filter, the motor will burn out and the warranty will be voided. Always keep spare filters on-hand.

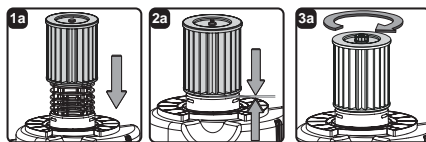
⚠ WARNING: Always disconnect the plug from the power outlet before removing the power head from the collection tank.

Installing A Replacement Cartridge Filter

Craftsman Filter with Rubber Top



Craftsman Filter with Plastic Top



THIS VACUUM CLEANER IS DESIGNED TO USE CRAFTSMAN CARTRIDGE FILTERS.

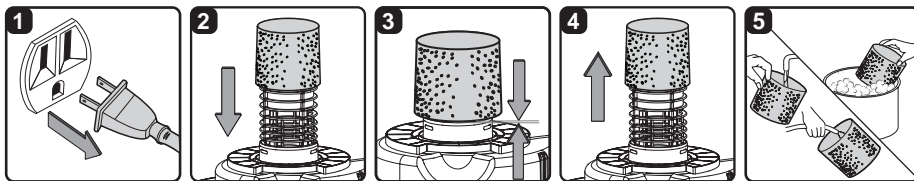
1. Carefully slide the Craftsman cartridge filter over the filter cage and press down on the outside edge of the filter until the rubber gasket on the bottom of the filter fits securely around the base of the filter cage and against the lid. (Fig. 1)
2. Align the small center hole in the top of the filter over the post on the filter cage. Press firmly on top of the filter near the post to allow the filter to seat over the post. (Fig. 2)
3. To further secure filter, put on retainer nut and turn clockwise to tighten until snug. (Fig. 3)

1. Carefully slide the Craftsman cartridge filter over the filter cage with the flat end of the filter towards the power head. (Fig. 1a)
2. Carefully push filter down until it is fully seated on the power head. (Fig. 2a)
3. To secure filter; put on retainer nut and turn clockwise to tighten until snug. Do not over tighten. (Fig. 3a)

NOTE: Always retain the original retainer nut. Do not misplace it while removing or replacing the cartridge filter.

Maintenance (continued)

Installing & Cleaning Foam Sleeve Filter



Installing Foam Sleeve Filter

1. Verify that the power cord is disconnected from the outlet. (Fig. 1)
2. Remove power head from collection tank. If cartridge filter is installed, remove as shown on page 10 "Removing and Cleaning Cartridge Filter".
3. Carefully slide foam sleeve filter down over the filter cage making sure the whole cage is covered. (Fig. 2 & 3)
4. Place power head on collection tank and secure latches.

Cleaning Foam Sleeve Filter

1. With the removed power head in the upside down position, carefully remove foam sleeve filter. (Fig. 4)
2. Use a mild soap and water solution to wash foam sleeve filter and rinse with clean water. (Fig. 5)
3. Allow filter to air dry before installing and using again.

Cleaning and Disinfecting the Wet/Dry Vac

To keep your Wet/Dry Vac looking its best, clean the outside with a dampened cloth, then dry with a clean towel.

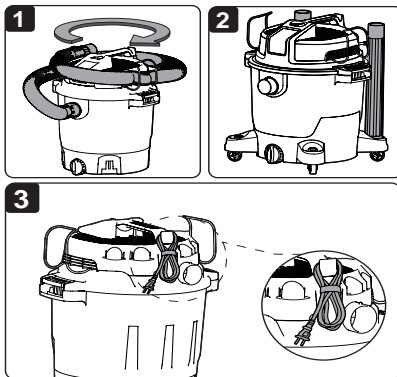
To clean the inside of the collection tank:

1. Empty debris out.
2. Wash collection tank thoroughly with warm water and mild soap.
3. Wipe out with dry cloth.

Before prolonged storage or as needed (i.e. after waste water pick up) the collection tank should be disinfected.

To disinfect the collection tank:

1. Pour 1 gallon of water and 1 teaspoon chlorine bleach into the collection tank.
2. Let solution stand for 20 minutes, carefully swishing every few minutes, making sure to wet all inside surfaces of the collection tank.
3. Empty collection tank after 20 minutes. Rinse with water until bleach smell is gone. Allow collection tank to dry completely before sealing the motor on the collection tank.



Storage

Before storing your vac, the collection tank should be emptied and cleaned. The cord should be wrapped and hung on the hook of the handle. The hose and accessories should be stored as illustrated above (Fig. 1-3) so they can be readily available when needed. Store vac indoors.

Troubleshooting


⚠ WARNING: TO REDUCE THE RISK OF ELECTRIC SHOCK UNPLUG BEFORE TROUBLESHOOTING.

| Problem | Possible Causes | Corrective Action |
|---|---|--|
| Vacuum will not operate. | 1) No power supply. | 1) Check power supply – cord, breakers, fuses. |
| | 2) Faulty power cord. | 2) Unplug and check the power cord. If damaged, have it repaired by a professional. |
| | 3) Collection tank is full. | 3) Empty collection tank. |
| | 4) Switch in the wrong position. | 4) Press the ON 'I' button on the power head. |
| Dust comes out from motor cover. | 1) The cartridge filter is missing or damaged. | 1) Attach or replace the cartridge filter. |
| Reduced efficiency and motor/speed vibration. | 1) There is a blockage in the nozzle, hose, or the tank inlet. The dust filter is clogged by fine dust. | 1) Check nozzle, hose and tank inlets for blockage. Take off the filter and clean it. Or install new filter. |

Repair Parts

125.12006 12 Gallon Wet/Dry Vac

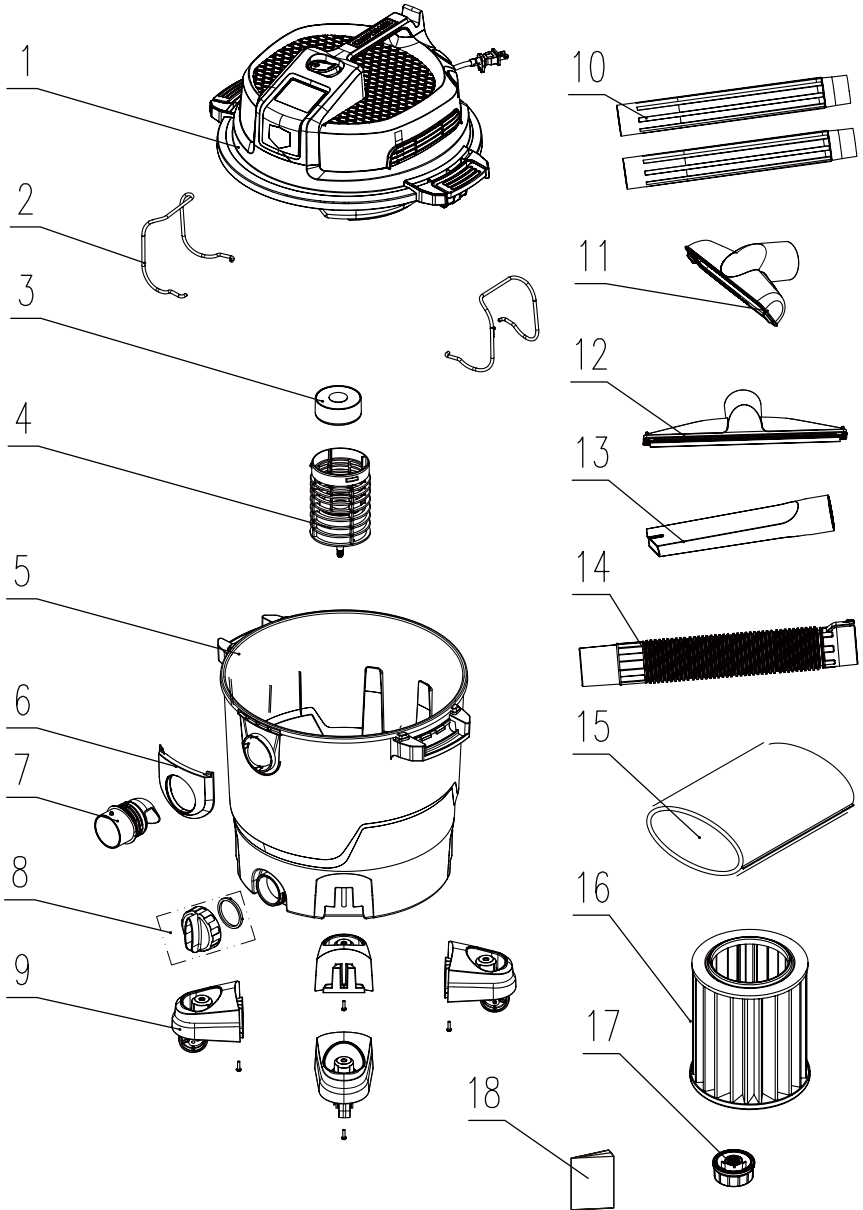
Always order by part number, not by key number. Always mention the model number when ordering parts. The model number is found on the serial plate located on the vacuum. To order parts, call 1-800-469-4663.

⚠ WARNING: Servicing of double-insulated wet/dry vacuum.
 With double-insulated wet/dry vacuum, two systems of insulation are provided instead of grounding. No grounding means is provided on a double-insulated appliance, nor should a means for grounding be added. Servicing a double insulated wet/dry vacuum requires extreme care and knowledge of the system, and should be done only by qualified service personnel. Replacement parts for a double-insulated wet/dry vacuum must be identical to the parts they replace. Your double-insulated wet/dry vacuum is marked with the words 'double insulated' and the symbol  (square within a square) may also be marked on the appliance.

| Key No. | Part Number | Description | Quantity |
|---------|--------------------|--------------------------|----------|
| 1 | VJHAPF.10.00 | Power Head | 1 |
| 2 | VJHAPF.10.07 | Hose Storage Rack | 2 |
| 3 | TVQTZS.07.YZ.W2.00 | Float | 1 |
| 4 | VJ51PF.10.04.W2.00 | Filter Cage | 1 |
| 5 | VJHAPF.20.01.F3.SY | Collection Tank | 1 |
| 6 | TVQTXK.15.01 | Vacuum port deflector | 1 |
| 7 | TVQTXK.14.01 | Hose inlet | 1 |
| 8 | VB01PF.X0.03 | Drain Cap Assembly | 1 |
| 9 | TVQTJC.28.00 | Caster and Foot Assembly | 4 |
| 10 | 17854 | Extension Wands | 2 |
| 11 | 16922 | Utility Nozzle | 1 |
| 12 | FV6761.00.00 | Floor / Squeegee Nozzle | 1 |
| 13 | 16902 | Crevice Tool | 1 |
| 14 | 16928 | Hose | 1 |
| 15 | 17888 | Foam Sleeve | 1 |
| 16 | 17816 | Cartridge Filter | 1 |
| 17 | FV9543.11.01 | Nut | 1 |
| 18 | VJHABZ.20.D6.01 | Operator's Manual | 1 |

Repair Parts (Continued)

12 Gallon Wet/Dry Vac

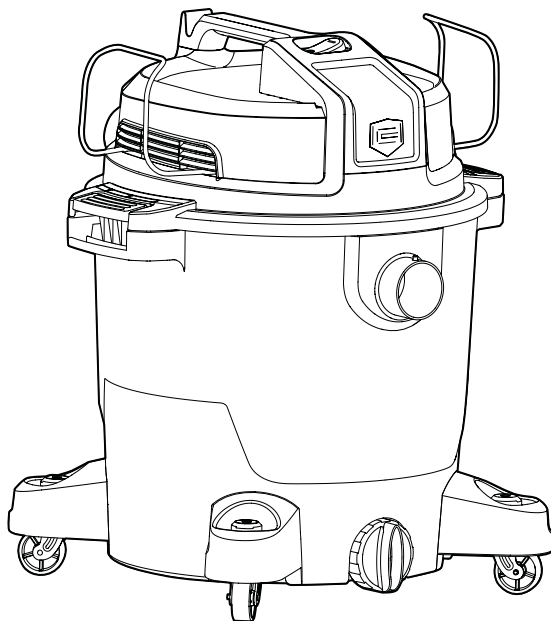


Manual Del Operador

CRAFTSMAN

Aspiradora De Materiales Húmedos/ Secos De 12 Galones

Núm. de modelo 125.12006



PRECAUCIÓN: Antes de usar este producto, lea este manual y siga todas las reglas de seguridad e instrucciones de operación.

- Seguridad
- Ensamble
- Operación
- Mantenimiento
- Piezas
- English- Page 1

Sears Brands Management Corporation, Hoffman Estates, IL 60179 EE.UU.
www.craftsman.com

Garantía

GARANTÍA TOTAL DE UN AÑO DE CRAFTSMAN

DURANTE UN AÑO a partir de la fecha de compra, este producto está garantizado contra defectos de material o mano de obra. Un producto defectuoso será reemplazado sin ningún costo.

Para detalles sobre la cobertura de la garantía para obtener un reemplazo gratuito, visite la página web: www.craftsman.com/warranty. Esta garantía no cubre bolsas de cubierta, filtros, mangueras o accesorios, que son partes consumibles que pueden desgastarse por el uso normal dentro del periodo de la garantía. Esta garantía de UN AÑO es inválida si este producto alguna vez se usa para servicios comerciales o si se renta a otra persona. Para obtener los términos de uso comercial y de renta por 90 DÍAS, consulte la página web de la garantía de Craftsman.

Esta garantía le ofrece derechos legales específicos y también puede tener otros derechos que varían de estado a estado.

Sears Brands Management Corporation, Hoffman Estates, IL 60179

INSTRUCCIONES DE SEGURIDAD IMPORTANTES

LEA Y COMPRENDA TODAS LAS INSTRUCCIONES ANTES DE USAR ESTA ASPIRADORA.

Lea y entienda este manual del operador y todas las etiquetas de la aspiradora de material húmedo/seco antes de operarla. La seguridad es una combinación de sentido común, mantenerse alerta y saber cómo funciona su aspiradora.

Use esta aspiradora de material húmedo/seco únicamente como se describe en este manual. Para reducir el riesgo de lesiones personales o daños a la aspiradora de material húmedo/seco, use únicamente los accesorios recomendados de Craftsman.

Tipo doméstico

GUARDE ESTE MANUAL

PARA CONSULTA FUTURA.

Al utilizar un electrodoméstico, siempre se deben seguir las precauciones básicas, incluyendo las siguientes:

ADVERTENCIA: PARA REDUCIR EL RIESGO DE INCENDIOS, DESCARGA ELÉCTRICA O LESIONES:

- No deje la aspiradora desatendida.
- No aspire ni use esta aspiradora de material húmedo/seco cerca de líquidos inflamables, gases o vapores explosivos como gasolina u otros combustibles, líquidos encendedores, limpiadores, pinturas con base de aceite, gas natural, hidrógeno o polvos explosivos como polvo de carbón, polvo de magnesio, polvo de granos o pólvora. Las chispas dentro del motor pueden encender vapores o polvos inflamables.


- No aspire nada que se esté quemando o emitiendo humo, como cigarrillos, cerillos o cenizas calientes.
- Mantenga el cable alejado de superficies calientes.
- No la esponja a la lluvia. Almacénela en interiores.
- No desconecte jalando el cable de corriente. Para desconectar, sujete el enchufe y no el cable.
- No la use con el cable, enchufe u otras partes dañadas.
- Si la aspiradora no está funcionando como debería, se ha dejado caer, está dañada, se dejó a la intemperie o cayó en agua, llévela a un distribuidor de servicio para que la inspeccione y repare antes de usarla de nuevo.
- No la jale ni cargue por el cable, ni use el cable como agarradera, no cierre una puerta sobre el cable ni jale el cable por bordes filosos ni esquinas.
- No pase la aspiradora de material húmedo/seco por encima del cable.
- No maneje el enchufe ni la aspiradora de material húmedo/seco con manos húmedas.
- Para reducir el riesgo de peligros a la salud debido a vapores o polvos, no aspire materiales tóxicos.
- No almacene la aspiradora cerca de materiales peligrosos.
- No use esta aspiradora de material húmedo/seco con un filtro rasgado o sin el filtro instalado, excepto cuando se aspiren los líquidos que se describen en la sección de operación de este manual.
- No permita que se use como un juguete. Se necesita poner mucha atención cuando se usa cerca de niños.
- Para reducir el riesgo de una lesión por un encendido accidental, desconecte el cable de corriente antes de cambiar o limpiar el filtro.

- No deje la aspiradora de material húmedo/seco desatendida cuando la conecte. Desconéctela del tomacorriente cuando no está en uso y antes de realizar el servicio.
- Apague la aspiradora de material húmedo/seco antes de desconectarla.
- No coloque ningún objeto en las aberturas de ventilación. No aspire con ninguna de las aberturas de ventilación bloqueadas; manténgala libre de polvo, pelusa, cabello o cualquier objeto que pudiera reducir el flujo de aire.
- Mantenga el cabello, ropa holgada, dedos y todas las partes del cuerpo lejos de las aberturas y partes móviles.
- Para reducir el riesgo de caídas, tenga mucho cuidado al limpiar escaleras.

Cuando se use como soplador:

- Dirija la descarga de aire únicamente hacia el área de trabajo.
- No use la aspiradora de material húmedo/seco como un atomizador.
- No dirija el aire hacia los transeúntes.
- Mantenga a los niños alejados del soplador.
- Use lentes de seguridad.

Enchufe polarizado

Para reducir el riesgo de una descarga eléctrica, este electrodoméstico tiene un enchufe polarizado (uno con un contacto más ancho que el otro). Este enchufe entrará en un tomacorriente polarizado solo de una manera. Si el enchufe no entra por completo en el tomacorriente, invierta el enchufe. Si aún no entra, comuníquese con un electricista calificado para instalar el tomacorriente adecuado. No modifique el enchufe de ninguna manera. El doble aislamiento  elimina la necesidad de una extensión de tres contactos con conexión a tierra y un sistema de suministro de energía con conexión a tierra.

Obedezca las siguientes advertencias que aparecen en la caja del motor de su aspiradora:



NO REQUIERE DE CONEXIÓN A TIERRA CON DOBLE AISLAMIENTO. AL REALIZAR EL SERVICIO, USE ÚNICAMENTE PARTES DE REPUESTO IDENTICAS.

⚠ ADVERTENCIA:

- Por su propia seguridad, lea y entienda el manual del propietario.
- No permita que la unidad funcione si está desatendida.
- No levante cenizas calientes, carbón, materiales tóxicos, inflamables u otros materiales peligrosos.
- No la use alrededor de líquidos explosivos o vapores.

⚠ ADVERTENCIA: Para reducir el riesgo de una descarga eléctrica, no la exponga a la lluvia y almacénela en interiores.

⚠ ADVERTENCIA: Al usar como soplador: Use lentes de seguridad con la etiqueta "ANSI Z87.1" (Canadá CSA Z94.3) en el paquete. Apague la unidad antes de colocarla sobre el suelo o soltar la agarradera. Podría ocurrir una descarga eléctrica si se usa en superficies húmedas. Dirija la descarga de aire únicamente al área de trabajo. No dirija la descarga hacia los transeúntes. Mantenga la máquina lejos de los niños.

Extensiones

Al usar una extensión con la aspiradora de material húmedo/seco, consulte la siguiente tabla para determinar el tamaño de cable A.W.G. (calibre americano de cables) requerido. Antes de usar la aspiradora de material húmedo/seco, asegúrese de que esté en buenas condiciones, incluyendo el cable de corriente.

Además, asegúrese de que la extensión esté en buenas condiciones antes de usarla. Realice las reparaciones o reemplazos necesarios antes de usar la aspiradora. Solo use extensiones que están clasificadas para uso en exteriores.

| | | Longitud de las extensiones | | | |
|-----------|--------------------|-----------------------------|----------------------|----------------------|--|
| 110V-120V | 25 pies 7,5 metros | 50 pies 15,25 metros | 100 pies 30,5 metros | 150 pies 45,7 metros | |
| Amperes | | Tamaño de cable de A.W.G | | | |
| 0-6 | 18 | 16 | 16 | 14 | |
| 7-10 | 18 | 16 | 14 | 12 | |
| 11-12 | 16 | 16 | 14 | 12 | |
| 13-16 | 14 | 12 | No se recomienda | | |

Introducción

Esta aspiradora de material húmedo/seco está diseñada para aspirar materiales húmedos y secos, además puede usarse como un soplador.

Lea este manual del operador para familiarizarse con las características del producto y para entender el uso específico de su nueva aspiradora de material húmedo/seco.

Índice

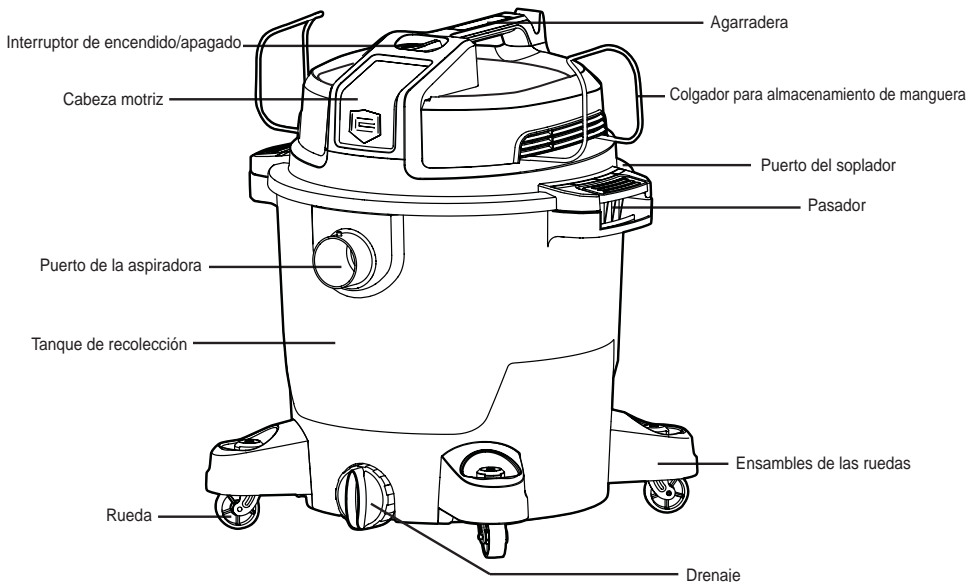
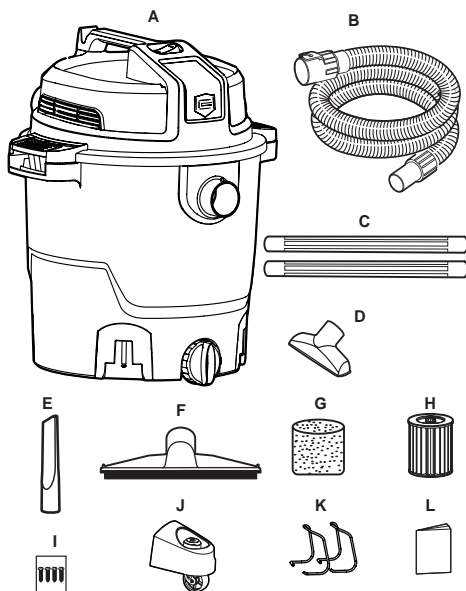
| Sección | Página | Sección | Página |
|---|---------------|---|---------------|
| Garantía..... | 17 | Mantenimiento..... | 25 |
| Instrucciones de seguridad importantes..... | 17 | Cómo vaciar el tanque de recolección..... | 25 |
| Enchufe polarizado..... | 18 | Instalación y limpieza del filtro de cartucho proporcionado..... | 25 |
| Extensiones..... | 18 | Instalación de un filtro de cartucho de reemplazo..... | 26 |
| Introducción..... | 19 | Instalación y limpieza Filtro de manga de espuma..... | 27 |
| Índice..... | 19 | Limpieza y desinfección de la aspiradora de material húmedo/seco..... | 27 |
| Ensamble..... | 20 | Almacenamiento..... | 27 |
| Lista del contenido de la caja..... | 20 | Resolución de problemas..... | 28 |
| Desempaque de la aspiradora de material húmedo/seco y ensamble general..... | 21 | Partes de repuesto..... | 29 |
| Operación..... | 22 | | |
| Aspiración de materiales secos..... | 22 | | |
| Aspiración de líquidos..... | 23 | | |
| Función de soplado..... | 24 | | |

Ensamble

Retire todo el contenido de la caja y verifique si hay partes dentro del tanque de recolección. Verifique cada parte contra la lista de contenido de la caja. Si hay alguna parte faltante o dañada, llame al 1-800-469-4663 para recibir un reemplazo.

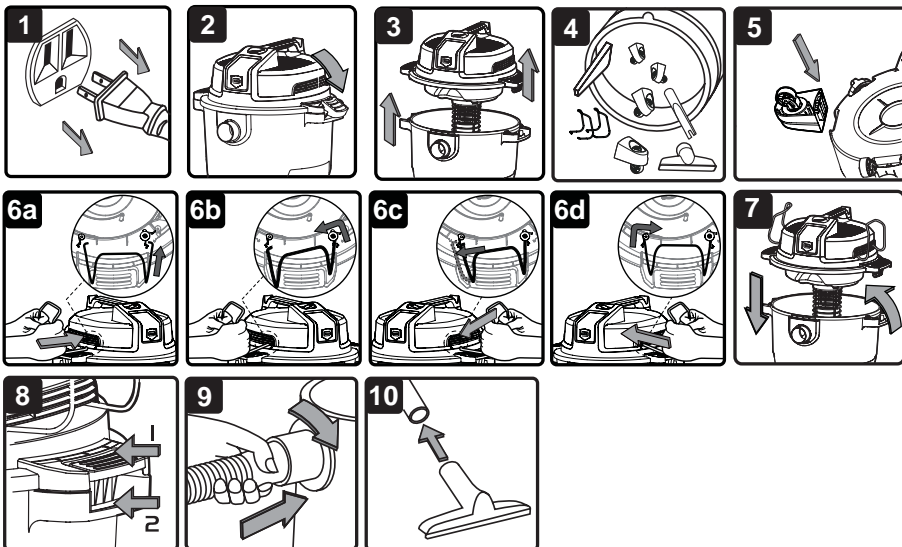
Lista del contenido de la caja

| Clave | Descripción | Cantidad |
|-------|--|----------|
| A | Ensamble de la aspiradora..... | 1 |
| B | Manguera | 1 |
| C | Tubos extensores..... | 2 |
| D | Boquilla de uso general..... | 1 |
| E | Herramienta para resquicios | 1 |
| F | Boquilla con escurridor de pisos..... | 1 |
| G | Filtro de manga de espuma..... | 1 |
| H | Filtro de cartucho..... | 1 |
| I | Tornillos de ensamble de las ruedas..... | 4 |
| J | Ensamblajes de las patas con ruedas..... | 4 |
| K | Colgador para almacenamiento de manguera | 2 |
| L | Manual del operador..... | 1 |



Ensamble (continuación)

Se requiere de un destornillador de cabeza Phillips.



⚠ ADVERTENCIA: No enchufe el cable de corriente al tomacorriente; asegúrese de que el enchufe esté desconectado antes de ensamblar la aspiradora de material húmedo/seco.

DESEMPAQUE DE LA ASPIRADORA DE MATERIAL HÚMEDO/SECO Y ENSAMBLE GENERAL

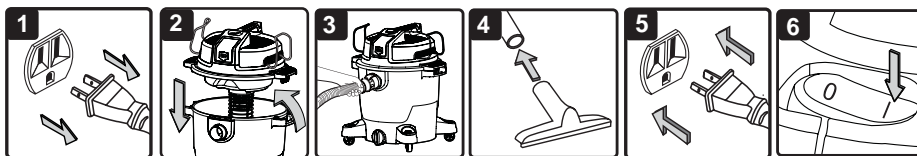
1. Verifique que el cable de corriente esté desconectado del tomacorriente. (Fig. 1)
2. Abra los pasadores. (Fig. 2)
3. Levante la cabeza motriz del tanque de recolección y colóquela sobre una superficie limpia y plana. (Fig. 3)
4. Retire el contenido del tanque de recolección, asegúrese de tener todo el contenido que se enumera en la lista de contenido de la caja en la página 20. (Fig. 4)
5. Una vez retirada la cabeza motriz, voltee el tanque de recolección hacia abajo. Inserte los cuatro ensamblados de las ruedas en cada cavidad. Aplique presión hasta que los ensamblados de las ruedas estén completamente instalados. (Fig. 5) Asegúrelas con los tornillos proporcionados. No apriete demasiado los tornillos.

6. Coloque el colgador de almacenamiento de la manguera como se muestra en la ilustración. Inserte por completo un extremo del colgador de almacenamiento de la manguera en la ranura indicada con la flecha en la ilustración, luego jale el otro extremo del colgador para alinearlos con la flecha correspondiente e insértelo en la ranura hasta asegurarlo. (Fig. 6a - Fig. 6d)
7. Coloque de nuevo la sección de la cabeza motriz sobre el tanque de recolección e inmovilícela usando los 2 pasadores laterales. (Fig. 7 y Fig. 8)
8. Inserte el extremo de fijación de la manguera en el puerto situado en el tanque de recolección y gírelo para inmovilizarlo. (Fig. 9)
9. Seleccione el accesorio deseado e insértelo en el extremo de la manguera (Fig. 10)
10. Después de usar la aspiradora, guarde la manguera, los accesorios y el cable según la ilustración de la página 27.

Operación

Aspiración de Materiales Secos

⚠ ADVERTENCIA: Asegúrese de leer, entender y aplicar toda la información de la sección de instrucciones de seguridad importantes que está al inicio de este manual de operaciones. No aspire en áreas con gases inflamables, vapores o polvos explosivos en el aire. Los gases o vapores inflamables incluyen, entre otros: líquidos encendedores, limpiadores de tipo solvente, pinturas con base de aceite, gasolina, alcohol o aerosoles. Los polvos explosivos incluyen, entre otros: carbón, magnesio, granos o pólvora. Para reducir el riesgo de peligros a la salud debido a vapores o polvos, no aspire materiales tóxicos.



1. Verifique que el cable de corriente esté desconectado del tomacorriente. (Fig. 1)
2. Para aspirar material seco, debe instalar el filtro de cartucho correctamente. Para verificar, consulte la sección Instalación del filtro de cartucho en la página 25.
3. Coloque la cabeza motriz de nuevo sobre el tanque de recolección e inmovilícela usando los pasadores. (Fig. 2)
4. Inserte el extremo de fijación de la manguera en el puerto de la aspiradora y asegúrelo en su lugar. (Fig. 3).
5. Seleccione el accesorio deseado e insértelo en el extremo de la manguera. (Fig. 4)
6. Conecte el cable de corriente en el tomacorriente. (Fig. 5)
7. Encienda el motor poniendo el interruptor en la posición 'I' (Encendido) y empiece a aspirar. (Fig. 6)
8. Una vez que haya terminado de aspirar, ponga el interruptor en la posición 'O' (Apagado) y desconecte el cable de corriente del tomacorriente.

O = Apagado I = Encendido

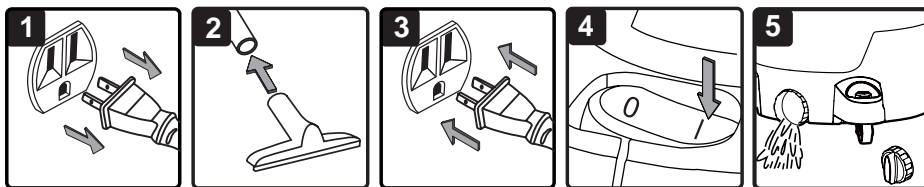
NO USE EL FILTRO DE CARTUCHO PARA ASPIRAR LÍQUIDOS.

PRECAUCIÓN: No aspire polvo de tablarroca, hollín o cenizas de chimenea con un filtro estándar para material húmedo/seco. Este es un polvo muy fino que no será capturado por el filtro y puede causar daños al motor. Para comprar el filtro de polvo fino, llame al 1-800-469-4663 o visite una tienda Sears.

Operación (continuación)

Aspiración de Líquidos

- ▲ ADVERTENCIA:** Asegúrese de leer, entender y aplicar toda la información de la sección de instrucciones de seguridad importantes que está al inicio de este manual de operaciones. No aspire en áreas con gases inflamables, vapores o polvos explosivos en el aire. Los gases o vapores inflamables incluyen, entre otros: líquidos encendedores, limpiadores de tipo solvente, pinturas con base de aceite, gasolina, alcohol o aerosoles. Los polvos explosivos incluyen, entre otros: carbón, magnesio, granos o pólvora. Para reducir el riesgo de peligros a la salud debido a vapores o polvos, no aspire materiales tóxicos.
- ▲ ADVERTENCIA:** No enchufe el cable de corriente al tomacorriente; asegúrese de que el enchufe esté desconectado antes de ensamblar la aspiradora de material húmedo/seco.



1. Verifique que el cable de corriente esté desconectado del tomacorriente. (Fig. 1)
2. Retire el filtro de cartucho como se muestra en la sección Retirar y limpiar el filtro de cartucho en la página 25. Luego instale el filtro de manga de espuma como se muestra en Instalación del filtro de manga de espuma en la página 27 y vuelva a colocar la cabeza motriz sobre el tanque de recolección.

NO USE EL FILTRO DE CARTUCHO PARA ASPIRAR LÍQUIDOS.

3. Instale la boquilla deseada en la manguera de la aspiradora. (Fig. 2)
4. Verifique que el interruptor esté en la posición 'O' (Apagado) antes de enchufar el cable de corriente en el tomacorriente. (Fig. 3)
5. Encienda el motor poniendo el interruptor en la posición 'I' (Encendido). (Fig. 4)
6. Una vez que haya terminado de aspirar, ponga el interruptor en la posición 'O' (Apagado) y desconecte el cable de corriente del tomacorriente.
7. Después de usarla, vacíe el tanque de recolección desenroscando la tapa del drenaje y drene los líquidos en un recipiente adecuado o en un resumidero. (Fig. 5) Recuerde volver a colocar la tapa del drenaje en el tanque después de drenar.

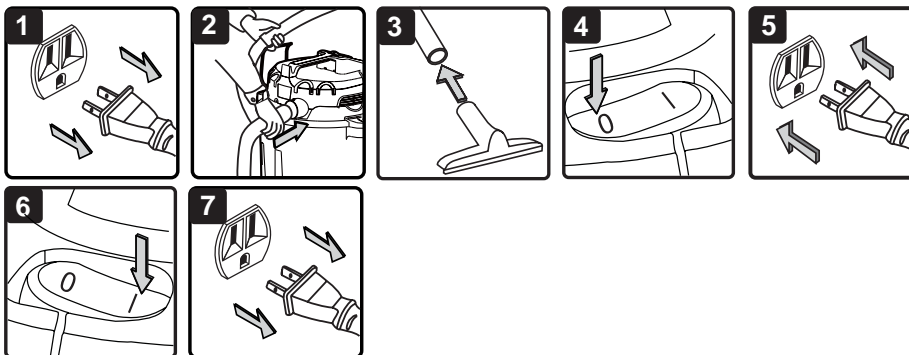
IMPORTANTE: Al aspirar grandes cantidades de líquido, no sumerja la boquilla por completo en el líquido; deje un espacio en la punta de la abertura de la boquilla para permitir la entrada de aire. La máquina está equipada con una válvula de flotación que detiene la acción de succión cuando el tanque de recolección alcanza su máxima capacidad. Notará un aumento en la velocidad del motor. Cuando esto ocurra, apague la máquina, desconéctela del suministro de energía y drene el líquido en un receptáculo adecuado o resumidero. Para continuar aspirando, vuelva a colocar la tapa del drenaje en el tanque de recolección. Después de aspirar material húmedo, apague la máquina y desconecte el enchufe del suministro de energía. Vacíe el tanque de recolección, limpie y seque el interior y exterior antes de almacenar.

RECUERDE: El filtro de espuma debe retirarse después de aspirar material húmedo y debe instalarse un filtro de cartucho antes de aspirar material seco de nuevo.

Operación (continuación)

Función de Soplado

- ⚠ ADVERTENCIA:** Siempre use lentes de seguridad que cumplan con la norma ANSI Z87.1 (o en Canadá, CSA Z94.3) antes de usar el soplador.
- ⚠ ADVERTENCIA:** Mantenga a los transeúntes lejos de los desechos voladores.
- ⚠ ADVERTENCIA:** Use una mascarilla anti polvo si el soplado crea polvo que pudiera inhalarse.



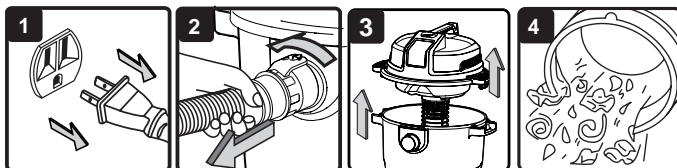
Esta aspiradora de material húmedo/seco tiene capacidades de soplado.

Para usar la función de soplador siga las instrucciones que se enumeran a continuación.

1. Verifique que el cable de corriente esté desconectado del tomacorriente. (Fig. 1)
2. Asegúrese de que el tanque de recolección esté vacío antes de usar la aspiradora como soplador.
3. Retire la manguera del puerto de la aspiradora.
4. Inserte el extremo más largo de la manguera en el puerto del soplador situado en la parte trasera de la cabeza motriz. (Fig. 2)
5. Instale el accesorio deseado en la manguera. (Fig. 3)
6. Verifique que el interruptor esté en la posición 'O' (Apagado) antes de enchufar el cable de corriente en el tomacorriente. (Fig. 4, Fig. 5)
7. Antes de encender la aspiradora, sostenga firmemente el extremo holgado de la manguera. Encienda el motor poniendo el interruptor en la posición 'I' (Encendido). (Fig. 6)
8. Una vez que haya terminado de soplar, ponga el interruptor en la posición 'O' OFF (Apagado) y desconecte el cable de corriente del tomacorriente. (Fig. 7)

Mantenimiento

Cómo Vaciar el Tanque de Recolección

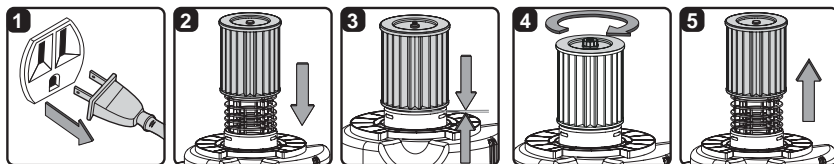


1. Verifique que el cable de corriente esté desconectado del tomacorriente. (Fig. 1)
2. Desconecte la manguera de la aspiradora. (Fig. 2)
3. Abra los pasadores y retire la cabeza motriz del tanque de recolección. (Fig. 3) Coloque la cabeza motriz en una superficie suave y limpia en posición invertida.
4. Limpie toda la suciedad o desechos del tanque de recolección y la manguera en un recipiente de desperdicio adecuado. (Fig. 4)
5. Limpie o reemplace los filtros.
6. Revise la manguera, accesorios y cable de corriente para verificar que no se hayan dañado.

7. Coloque la cabeza motriz sobre el tanque de limpieza y asegure los pasadores.

AVISO El filtro incluido está hecho de un material de alta calidad diseñado para detener las partículas de polvo pequeñas. El filtro debe usarse únicamente para levantar material seco. Es necesario tener un filtro de material seco para levantar el polvo. Si el filtro de polvo está húmedo, se obstruirá rápidamente y será muy difícil de limpiar. Maneje el filtro con cuidado al quitarlo para limpiarlo o reemplazarlo. Verifique que los filtros no estén rasgados ni tengan orificios pequeños, un orificio pequeño puede dejar pasar y salir el polvo de la aspiradora. No use un filtro con orificios o desgarres; reemplácelo inmediatamente.

Instalación y Limpieza del Filtro de Cartucho Proporcionado



Instalación del filtro de cartucho

1. Verifique que el cable de corriente esté desconectado del tomacorriente. (Fig. 1)
2. Abra los pasadores y retire la cabeza motriz del tanque de recolección.
3. Coloque la cabeza motriz sobre una superficie limpia en posición invertida.
4. Deslice el filtro de cartucho sobre la caja del filtro. (Fig. 2) Con cuidado empuje el filtro hacia abajo hasta que se acomode por completo sobre la cabeza motriz. (Fig. 3)
5. Para asegurar el filtro, coloque la tuerca de retención y gírela hacia la derecha para apretarla hasta que quede apretada. No la apriete demasiado. (Fig. 4)

Retirar y limpiar el filtro de cartucho

1. Coloque la cabeza motriz en posición invertida. Si se usó la tuerca de retención para asegurar el filtro, retírela girando la tuerca hacia la izquierda.
2. Con cuidado levante el filtro para retirarlo de la caja del filtro. (Fig. 5)

NOTA: Para obtener mejores resultados al limpiar el filtro de cartucho, la limpieza debe realizarse en áreas exteriores y no en interiores.

3. Para limpiar un filtro de cartucho seco después de haberlo retirado, golpéelo ligeramente contra la pared interna del contenedor o retire la suciedad con un cepillo. Los desechos se empezarán a desintegrar, se aflojarán y finalmente se desprenderán.

Mantenimiento (continuación)

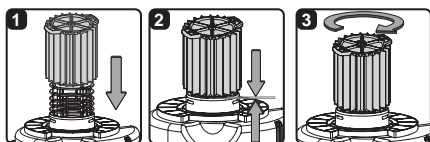
IMPORTANTE: Para un mejor desempeño, limpie o cambie el filtro de cartucho con regularidad.

SIEMPRE USE EL FILTRO DE CARTUCHO PARA ASPIRAR MATERIAL SECO. Si la máquina se usa sin el filtro de cartucho, el motor se quemará y la garantía se anulará. Siempre tenga filtros de repuesto a la mano.

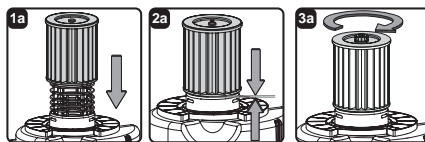
⚠ ADVERTENCIA: Siempre desconecte el enchufe del tomacorriente antes de quitar la cabeza motriz del tanque de recolección.

Instalación de un Filtro de Cartucho de Reemplazo

Filtro Craftsman con tapa de caucho



Filtro Craftsman con tapa de plástico



ESTA ASPIRADORA ESTÁ DISEÑADA PARA USARSE CON FILTROS DE CARTUCHO CRAFTSMAN.

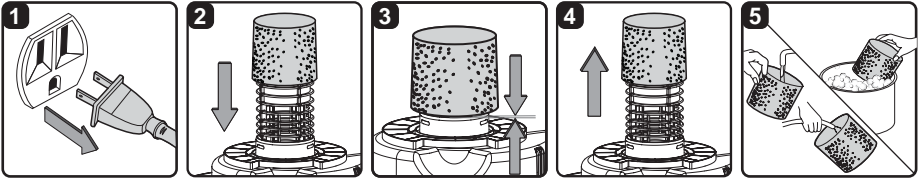
1. Con cuidado, deslice el filtro de cartucho Craftsman por la caja del filtro y presione hacia abajo en el borde exterior del filtro hasta que el empaque de caucho en la parte inferior del filtro se ajuste firmemente alrededor de la base de la caja del filtro y contra la tapa. (Fig. 1)
2. Alinee el orificio central pequeño en la parte superior del filtro sobre el poste que está en la caja del filtro. Presione firmemente en la parte superior del filtro cerca del poste para acomodar el filtro sobre el poste. (Fig. 2)
3. Para asegurar aún más el filtro, coloque la tuerca de retención y gírela hacia la derecha para ajustarla hasta que quede apretada. (Fig. 3)

1. Con cuidado deslice el filtro de cartucho Craftsman sobre la caja del filtro con el extremo plano del filtro hacia la cabeza motriz. (Fig. 1a)
2. Con cuidado empuje el filtro hacia abajo hasta que se asiente por completo sobre la cabeza motriz. (Fig. 2a)
3. Para asegurar el filtro, coloque la tuerca de retención y gírela hacia la derecha para apretarla hasta que quede apretada. No la apriete demasiado. (Fig. 3a)

NOTA: Siempre conserve la tuerca de retención original. No la extravié cuando retire o reemplace el filtro de cartucho.

Mantenimiento (continuación)

Instalación y Limpieza del Filtro de Manga de Espuma



Instalación del filtro de manga de espuma

1. Verifique que el cable de corriente esté desconectado del tomacorriente. (Fig. 1)
2. Retire la cabeza motriz del tanque de recolección. Si hay un filtro de cartucho instalado, retírelo como se muestra en la página 25 "Retirar y limpiar el filtro de cartucho".
3. Con cuidado deslice el filtro de manga de espuma hacia abajo por la caja del filtro asegurándose de que cubra toda la caja. (Fig. 2 y 3)
4. Coloque la cabeza motriz sobre el tanque de recolección y asegure los pasadores.

Limpieza y desinfección de la aspiradora de material húmedo/seco

Para mantener su aspiradora de material húmedo/seco en las mejores condiciones, limpie el exterior con un paño húmedo, luego seque con una toalla limpia.

Para limpiar la parte interior del tanque de recolección:

1. Tire los desechos.
2. Lave el tanque de recolección a fondo con agua tibia y un jabón suave.
3. Limpie con un paño seco.

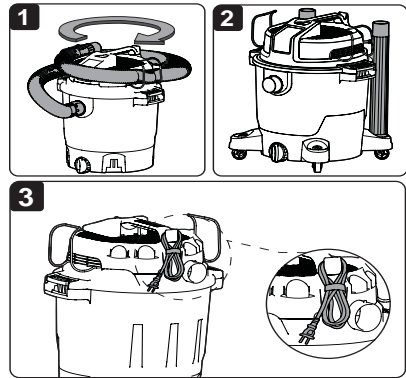
El tanque de recolección debe desinfectarse antes de un almacenamiento prolongado o según sea necesario (es decir, después de levantar agua de desecho).

Para desinfectar el tanque de recolección:

1. Vierta 1 galón de agua y 1 cucharadita de blanqueador en el tanque de recolección.
2. Deje remojando en la solución durante 20 minutos, agitando suavemente después de unos minutos, asegurándose de humedecer todas las superficies interiores del tanque de recolección.
3. Vacíe el tanque de recolección después de 20 minutos. Enjuague con agua hasta que desaparezca el olor a blanqueador. Deje que el tanque de recolección se seque por completo antes de colocar el motor en el tanque de recolección.

Limpieza del filtro de manga de espuma

1. Después de retirar la cabeza motriz en posición invertida, retire con cuidado el filtro de manga de espuma. (Fig. 4)
2. Use una solución de jabón suave y agua para lavar el filtro de manga de espuma y enjuague con agua limpia. (Fig. 5)
3. Deje secar el filtro al aire libre antes de instalarlo y usarlo de nuevo.



Almacenamiento

Antes de almacenar la aspiradora, debe vaciar y limpiar el tanque de recolección. El cable debe enrollarse y colgarse en el gancho de la agarradera. La manguera y los accesorios deben almacenarse como se muestra en la ilustración anterior (Fig. 1-3) a fin de que puedan estar fácilmente disponibles cuando se necesiten. Almacene la aspiradora en interiores.

Resolución de Problemas

⚠ ADVERTENCIA: PARA REDUCIR EL RIESGO DE DESCARGAS ELÉCTRICAS, DESCONECTE LA ASPIRADORA ANTES DE RESOLVER UN PROBLEMA.


| Problema | Causas posibles | Acción correctiva |
|--|--|---|
| La aspiradora no funciona. | 1) No hay suministro de energía. | 1) Revise el suministro de energía - cable, disyuntores, fusibles. |
| | 2) Cable de corriente defectuoso. | 2) Desconecte y revise el cable de corriente. Si está dañado, envíelo a reparar con un profesional. |
| | 3) El tanque de recolección está lleno. | 3) Vacíe el tanque de recolección. |
| | 4) El interruptor no está en la posición correcta. | 4) Presione el botón ON "I" (Encendido) en la cabeza motriz. |
| Sale polvo de la cubierta del motor. | 1) El filtro del cartucho falta o está dañado. | 1) Instale o reemplace el filtro de cartucho. |
| Menor eficiencia y vibración del motor/ velocidad. | 1) Hay una obstrucción en la boquilla, manguera o la entrada del tanque. El filtro de polvo está obstruido con polvo fino. | 1) Revise las entradas de la boquilla, manguera y tanque para buscar obstrucciones. Quite el filtro y límpielo. O bien instale un filtro nuevo. |

Partes de Repuesto

125.12006 Aspiradora De Material Húmedo/Seco De 12 Galones

Siempre ordene por número de parte y no por número de clave. Siempre mencione el número del modelo cuando ordene partes. El número de modelo se encuentra en la placa de serie que se encuentra en la aspiradora. Para ordenar partes, llame al 1-800-469-4663.

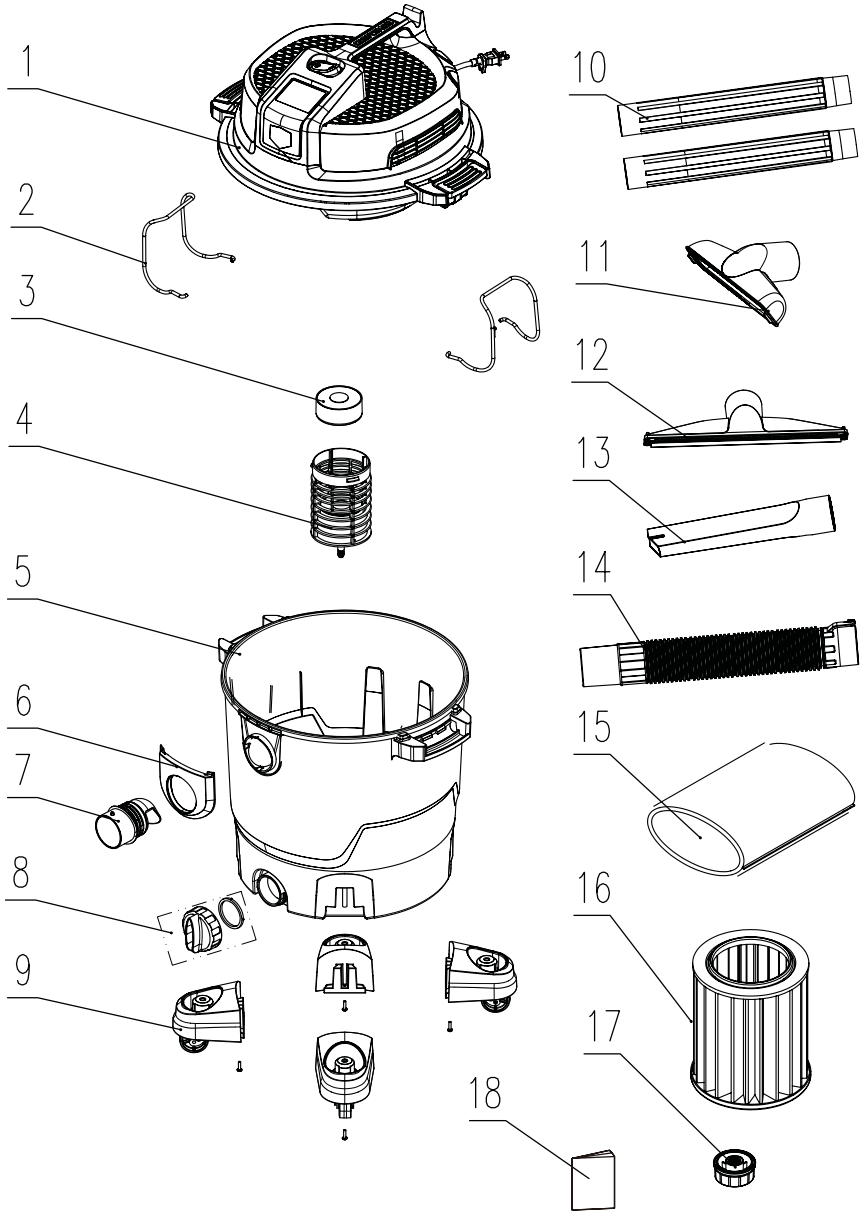
⚠ ADVERTENCIA: Cómo dar servicio a una aspiradora de material húmedo/seco de doble aislamiento.

Con la aspiradora de material húmedo/seco de doble aislamiento, se proporcionan dos sistemas de aislamiento en vez de una conexión a tierra. En un aparato con doble aislamiento no se provee un medio de conexión a tierra, ni se debe añadir un medio de conexión a tierra. El servicio a una aspiradora de material húmedo/seco con doble aislamiento requiere de mucha atención y conocimiento del sistema y debe ser realizado únicamente por personal calificado para el servicio. Las partes de reemplazo para una aspiradora de material húmedo/seco de doble aislamiento deben ser idénticas a las partes que reemplazan. Su aspiradora de material húmedo/seco con doble aislamiento está marcada con las palabras "double insulated" (doble aislamiento) y el símbolo  (cuadrado dentro de un cuadrado) también puede estar marcado en el aparato.

| Núm. de clave | Número de parte | Descripción | Cantidad |
|---------------|--------------------|--|----------|
| 1 | VJHAPF.10.00 | Cabeza motriz | 1 |
| 2 | VJHAPF.10.07 | Colgador para almacenamiento de manguera | 2 |
| 3 | TVQTZS.07.YZ.W2.00 | Flotador | 1 |
| 4 | VJ51PF.10.04.W2.00 | Caja del filtro | 1 |
| 5 | VJHAPF.20.01.F3.SY | Tanque de recolección | 1 |
| 6 | TVQTXK.15.01 | Deflector del puerto de la aspiradora | 1 |
| 7 | TVQTXK.14.01 | Entrada de la manguera | 1 |
| 8 | VB01PF.X0.03 | Ensamble de la tapa de drenaje | 1 |
| 9 | TVQJJC.28.00 | Ensamble de las ruedas y patas | 4 |
| 10 | 17854 | Tubos extensores | 2 |
| 11 | 16922 | Boquilla de uso general | 1 |
| 12 | FV6761.00.00 | Boquilla secadora / pisos | 1 |
| 13 | 16902 | Herramienta para resquicios | 1 |
| 14 | 16928 | Manguera | 1 |
| 15 | 17888 | Filtro de espuma | 1 |
| 16 | 17816 | Filtro de cartucho | 1 |
| 17 | FV9543.11.01 | Tuerca | 1 |
| 18 | VJHABZ.20.D6.01 | Manual del operador | 1 |

Partes de Repuesto (Continuación)

Aspiradora De Materiales Húmedos/Secos De 12 Galones



Free Manuals Download Website

<http://myh66.com>

<http://usermanuals.us>

<http://www.somanuals.com>

<http://www.4manuals.cc>

<http://www.manual-lib.com>

<http://www.404manual.com>

<http://www.luxmanual.com>

<http://aubethermostatmanual.com>

Golf course search by state

<http://golfingnear.com>

Email search by domain

<http://emailbydomain.com>

Auto manuals search

<http://auto.somanuals.com>

TV manuals search

<http://tv.somanuals.com>