

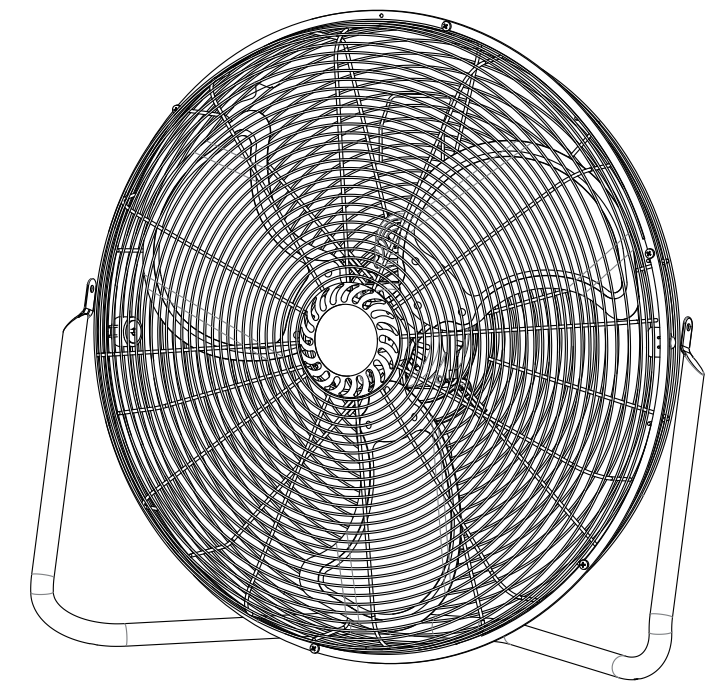


Instruction Manual



20 INCH  
HIGH VELOCITY FAN

Model No. 129.33121410



**CAUTION:** Before using this product, read this manual and follow all its Safety Rules and Operating Instructions.

- SAFETY
- ASSEMBLY
- OPERATION
- MAINTENANCE

Sears Brands Management Corporation, Hoffman Estates, IL 60179 U.S.A.  
www.craftsman.com

TABLE OF CONTENTS

Warranty.....Page 2  
 General Safety Rules.....Page 2-3  
 Description .....Page 4  
 Assembly.....Page 5  
 Operation.....Page 5-6  
 Care And Maintenance .....Pages 6  
 Troubleshooting.....Page 7

CRAFTSMAN ONE YEAR LIMITED WARRANTY

FOR ONE YEAR from the date of purchase, this product is warranted against any defects in material or workmanship. With proof of purchase, a defective product will be replaced free of charge.

For warranty coverage details to obtain free replacement, visit the web page: www.craftsman.com/warranty

This ONE YEAR warranty is void if this product is ever used while providing commercial services or if rented to another person. For 90 DAY commercial and rental use terms, visit the Craftsman warranty web page.

This warranty gives you specific legal rights, and you may also have other rights which vary from state to state.

Sears Brands Management Corporation, Hoffman Estates, IL 60179

GENERAL SAFETY RULES

Please read and understand this entire manual before attempting to assemble, operate or install the product.

WARNING

- Use this product only as described in this manual. Any other use not recommended by the manufacturer may cause fire, electrical shock or injury to persons, and may void the warranty.

GENERAL SAFETY RULES

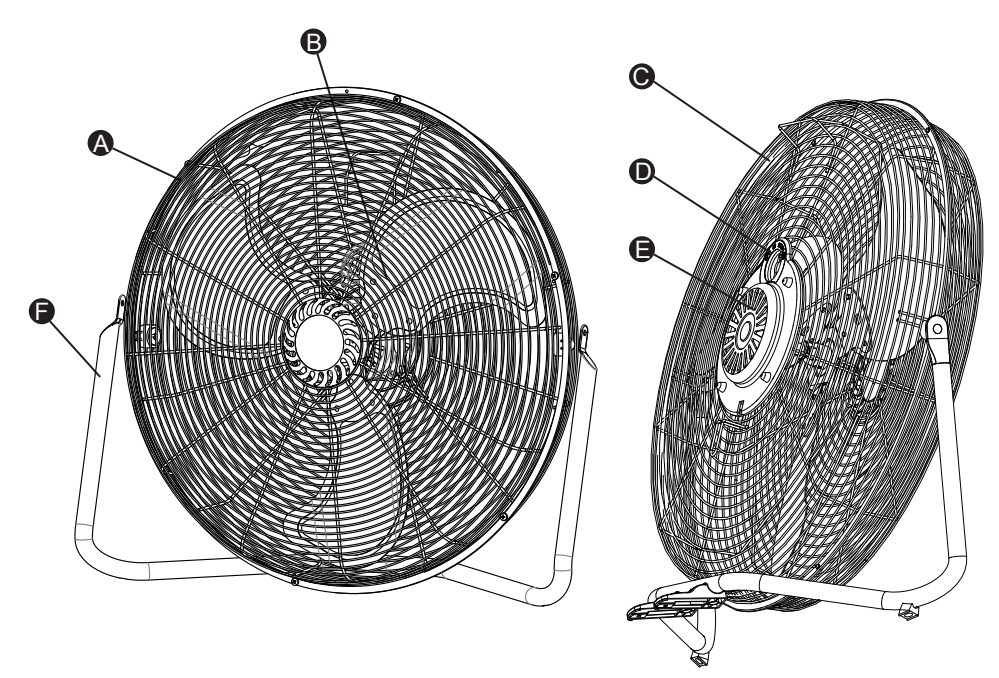
- Always unplug unit before assembly, disassembly or cleaning.
- Always unplug unit when not in use, when moving from one location to another and before cleaning.
- To disconnect, grip the plug and pull it from the wall outlet. Never yank the cord.
- The use of attachments not recommended or sold by the appliance manufacturer may cause hazards.
- Avoid contact with moving parts.

CAUTION

- DO NOT operate this product with a damaged cord or plug after a malfunction, or if it is dropped or damaged in any manner.
- DO NOT operate the unit in the presence of explosive and/or flammable fumes.
- DO NOT place the unit or any parts near an open flame, cooking or other heating appliance.
- DO NOT leave children unattended near the fan or leave the fan unattended while in use.
- DO NOT use outdoors.
- Always use on a dry, level surface.
- DO NOT operate if the product housing (front or rear grill or product stand) is removed or damaged.
- A loose fit between the outlet and plug may cause the plug to overheat. Have a qualified electrician replace the outlet if the plug doesn't fit properly.
- DO NOT run cord under carpeting. Do not cover cord with throw rugs, runners or the like. Arrange cord away from traffic areas so that it will not be tripped over.
- NEVER connect the unit to any power sources other than a 120 volt AC polarized outlet.
- To protect against electrical shock, this appliance is equipped with a cord having a 3-prong grounding-type plug for insertion into a proper 3-prong grounding-type receptacle. DO NOT alter the plug for use in a 2-prong receptacle. If the plug will not fit into a receptacle, have the proper receptacle installed by a qualified electrician.

SAVE THESE INSTRUCTIONS!

DESCRIPTION



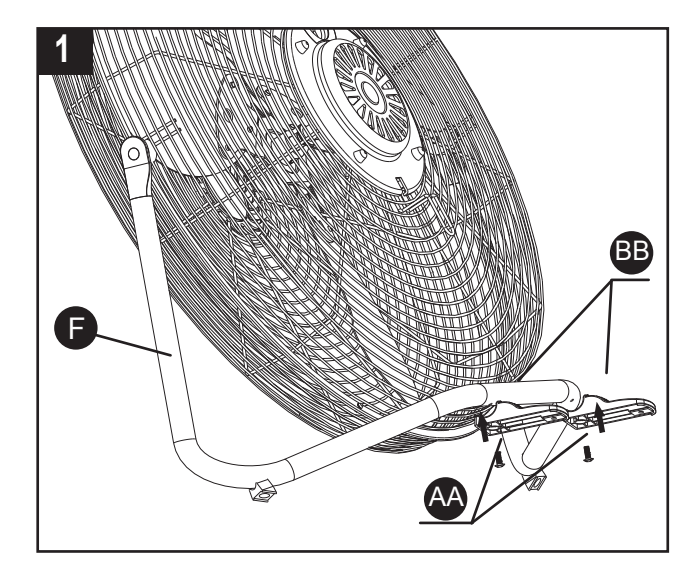
Part	Description	Quantity
A	Front grill	1
B	Fan blade	1
C	Rear grill	1
D	Rotary switch control	1
E	Motor	1
F	Stand	1

ASSEMBLY

1. Use a Phillips head screwdriver to attach the two foot pads (BB) to the bottom of the fan stand (F) with the two screws (AA).

HARDWARE USED

- AA Screws x 2
- BB Foot Pad x 2

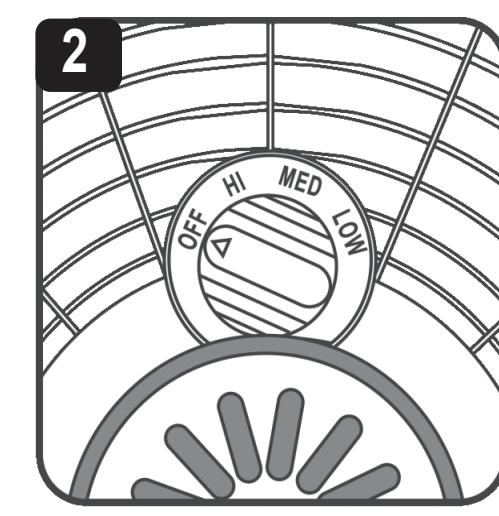


OPERATION

1. Make sure the unit is in the OFF position before plugging the unit into the outlet.
2. Place the fan on a dry, level surface.

OPERATION

3. Insert power cord 3-prong grounding plug into a proper 3-prong grounded 120 volt wall receptacle.
4. To operate the fan, turn the rotary switch control to the desired fan speed (HI, MED, LOW) (see Fig. 2).
5. Tilt the fan back or forward on the stand to adjust the air output direction.



CARE AND MAINTENANCE

DURING SEASON CARE:

- Before cleaning, be sure to turn off and unplug the unit.
- Keep this unit clean. Carefully wipe the unit with a soft, damp cloth. Please be very cautious near the motor.
- DO NOT immerse the fan in water and never allow water to drip into the motor housing.
- Never use gasoline, benzene or thinner to clean fan. This will damage the surface of the unit.
- After cleaning, be sure to completely dry the unit with a soft cloth.

AFTER SEASON CARE:

- Clean unit before storage, then cover with a vinyl bag or place in original shipping box. Store in a cool, dry place.

TROUBLESHOOTING

PROBLEM	POSSIBLE CAUSE	CORRECTIVE ACTION
The fan will not operate.	1. The fan isn't plugged in and/or the electrical outlet isn't working properly. 2. Obstructions are keeping the fan from working.	1. Make sure the fan is plugged in and /or the electrical outlet is working properly. 2. Turn off and unplug fan. Visually inspect for obstructions and remove if found. Plug fan in and turn on.

## Free Manuals Download Website

<http://myh66.com>

<http://usermanuals.us>

<http://www.somanuals.com>

<http://www.4manuals.cc>

<http://www.manual-lib.com>

<http://www.404manual.com>

<http://www.luxmanual.com>

<http://aubethermostatmanual.com>

Golf course search by state

<http://golfingnear.com>

Email search by domain

<http://emailbydomain.com>

Auto manuals search

<http://auto.somanuals.com>

TV manuals search

<http://tv.somanuals.com>