

Operator's Manual

CRAFTSMAN®

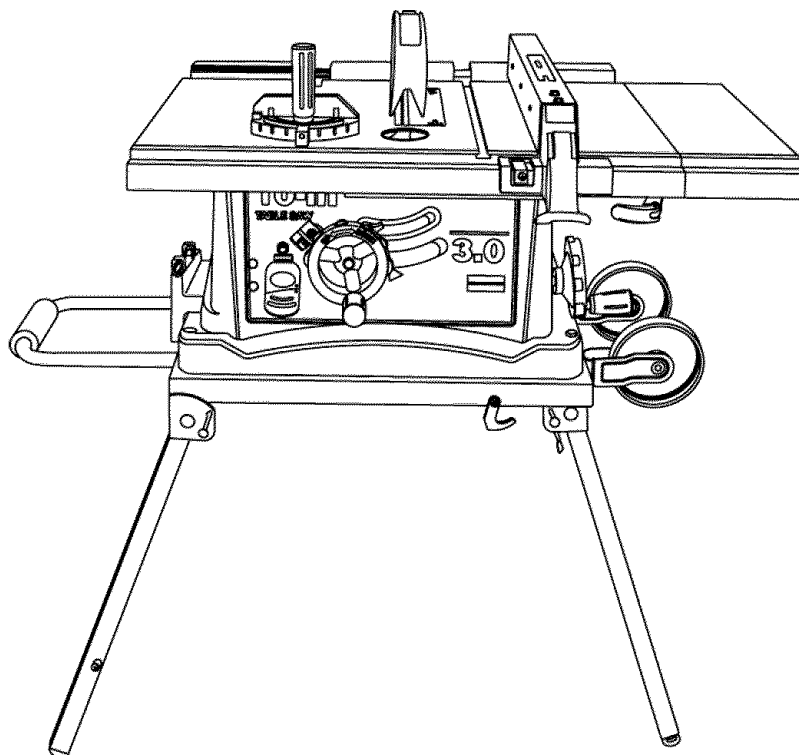
3.0 HP (Max. Developed)

10" Inch Blade

5000 R.P.M.

JOBSITE SAW

Model : 137.218240



CAUTION:

Before using this Table Saw, read this manual and follow all its Safety Rules and Operating Instructions

- Safety Instructions
- Installation
- Operation
- Maintenance
- Parts List

Customer Help Line
1-800-843-1682

Sears, Roebuck and Co., Hoffman Estates, IL 60179 USA

Visit our Craftsman website: www.sears.com/craftsman

Part No. : 13721824001

TABLE OF CONTENTS

SECTION	PAGE	SECTION	PAGE
Warranty	2	Know Your Table Saw.....	8
Product Specifications	2	Assembly and Adjustments.....	9
Power Tool Safety	3	Operation.....	16
Table Saw Safety.....	4	Maintenance	20
Electrical Requirements and Safety.....	5	Troubleshooting Guide.....	21
Accessories and Attachments.....	6	Parts List	22
Tools Needed For Assembly.....	6	Push Stick Pattern	30
Carton Contents	6		

WARRANTY

FULL ONE YEAR WARRANTY

If this Table Saw fails due to a defect in material or workmanship within one year of date of purchase, Sears will at its option repair or replace it free of charge.

Return this Table Saw to a Sears Service Center for repair, or to place of purchase for replacement.

This warranty gives you specific legal rights, and you may also have other rights which may vary from state to state.

Sears, Roebuck and Co., Dept. 817 WA, Hoffman Estates, IL 60179

▲ WARNING

Some dust created by power sanding, sawing, grinding, drilling and other construction activities contains chemicals known to the state of California to cause cancer, birth defects or other reproductive harm. Some examples of these chemicals are:

- Lead from lead-based paints
- Crystalline silica from bricks, cement and other masonry products
- Arsenic and chromium from chemically treated lumber

Your risk from these exposures varies, depending on how often you do this type of work. To reduce your exposure to these chemicals, work in a well-ventilated area and work with approved safety equipment such as dust masks that are specially designed to filter out microscopic particles.

PRODUCT SPECIFICATIONS

MOTOR

HP (Maximum developed).....	3.0
Type	Universal
Amps	15
Voltage	120
Hz	60
RPM (no load).....	5000
Overload Protection.....	YES

SAW

Table Size.....	26" x 18-1/16"
Table Extensions.....	Right – 5-3/4"
Extension Rip Capacity...	24-7/8" Right Rip
Blade Size.....	10"
Rear Outfeed Extension	YES
Rip Fence	YES
Miter Gauge.....	YES
Maximum Cut Depth @ 90°..	3-1/8"
Maximum Cut Depth @ 45°..	2-5/8"
Maximum Dado Cut Width...	1/2"
Net Weight.....	64.5 LBS

▲ WARNING

To avoid electrical hazards, fire hazards or damage to the table saw, use proper circuit protection.

This table saw is wired at the factory for 110-120 Volt operation. It must be connected to a 110-120 Volt / 15 Ampere time delay fuse or circuit breaker. To avoid shock or fire, replace power cord immediately if it is worn, cut or damaged in any way.

Before using your table saw, it is critical that you read and understand these safety rules. Failure to follow these rules could result in serious injury to you or damage to the table saw.

POWER TOOL SAFETY

▲ WARNING

Before using your table saw, it is critical that you read and understand these safety rules. Failure to follow these rules could result in serious injury or damage to the table saw.

Good safety practices are a combination of common sense, staying alert and understanding how to use your power tool. To avoid mistakes that could cause serious injury, do not plug in your power tool until you have read and understood the following safety rules:

1. **READ** and become familiar with this entire Operator's Manual. **LEARN** the tool's applications, limitations and possible hazards.

▲ WARNING

2. Look for this symbol that identifies important safety precautions. It means **CAUTION!** Become alert, your safety is involved if you do not follow the safety instructions.

▲ DANGER

3. Look for this symbol that identifies important safety precautions. It means **CAUTION!** Become alert, your safety is involved if you do not follow the safety instructions.

4. **NEVER OPERATE THIS MACHINE WITHOUT THE SAFETY GUARD IN PLACE FOR ALL THROUGH-SAWING OPERATIONS.**

5. **DO NOT USE IN DANGEROUS ENVIRONMENTS** such as damp or wet locations or exposure to rain. Keep work area well lighted.

6. **DO NOT** use power tools in the presence of flammable liquids or gases.

7. **KEEP WORK AREA CLEAN.** Cluttered areas and benches invite accidents.

8. **KEEP CHILDREN AWAY.** All visitors should be kept at a safe distance from the work area.

9. **DO NOT FORCE THE TOOL.** It will do the job better and safer at the rate for which it was designed.

10. **USE THE RIGHT TOOL.** Don't force the tool or attachment to do a job for which it is not designed.

11. **WEAR PROPER APPAREL. DO NOT** wear loose clothing, gloves, neckties, rings, bracelets or other jewelry which may get caught in moving parts. Non-slip footwear is recommended. Wear protective hair covering to contain long hair.

12. **WEAR A FACE MASK OR DUST MASK.** Sawing, cutting and sanding operations produce dust.

13. **DISCONNECT TOOLS** before servicing and when changing accessories such as blades, cutters, etc.

14. **REDUCE THE RISK OF UNINTENTIONAL STARTING.** Make sure the switch is in the OFF position before plugging into the power supply.

15. **USE ONLY RECOMMENDED ACCESSORIES.** Consult the Operator's Manual for recommended

accessories. The use of improper accessories may cause injury to you or damage to the tool.

16. **REMOVE ADJUSTING KEYS AND WRENCHES.** Form the habit of checking to see that keys and adjusting wrenches are removed from the tool before turning ON.

17. **NEVER LEAVE TOOL RUNNING UNATTENDED. TURN THE POWER "OFF".** Do not leave the tool before it comes to a complete stop.

18. **NEVER STAND ON TOOL.** Serious injury could occur if the tool is tipped or if the cutting tool is unintentionally contacted.

19. **DO NOT OVERREACH.** Keep proper footing and balance at all times.

20. **MAINTAIN TOOLS WITH CARE.** Keep tools sharp and clean for most efficient and safest performance. Follow instructions for lubricating and changing accessories.

21. **CHECK FOR DAMAGED PARTS.** Before further use of the tool, a guard or other part that is damaged should be carefully checked to ensure it will operate properly and perform its intended function. Check for alignment of moving parts, binding of moving parts, mounting and any other conditions that may affect its safe operation. A guard or other part that is damaged should be properly repaired or replaced.

22. **MAKE WORKSHOP CHILD PROOF** with padlocks, master switches or by removing starter keys.

23. **DO NOT** operate the tool if you are under the influence of any drugs, alcohol or medication that could impair your ability to use the tool safely.

24. **USE A DUST COLLECTION SYSTEM** wherever possible. Dust generated from certain materials can be hazardous to your health and in some cases, a fire hazard. Always operate the power tool in a well-ventilated area with adequate dust removal.

25. **ALWAYS WEAR EYE PROTECTION.** Any power tool can throw foreign objects into your eyes which could cause permanent eye damage. **ALWAYS** wear safety goggles (not glasses) that comply with ANSI safety standard Z87.1. Everyday glasses have only impact resistant lenses. They **ARE NOT** safety glasses.

NOTE: Glasses or goggles not in compliance with ANSI Z87.1 could cause serious injury when they break.

26. **DIRECTION OF FEED.** Feed work into a blade or cutter against the direction of rotation of the blade or cutter only.

27. **DO NOT AUTHORZE ADDITIONAL USERS** to operate this power tool without the accompanying operators manual for which the user must read & understand.

TABLE SAW SAFETY

1. **ALWAYS USE SAW BLADE GUARD**, splitter and anti-kickback pawls for every operation for which they can be used, including through-sawing. Through-sawing operations are those in which the blade cuts completely through the workpiece when ripping or cross-cutting.
2. **ALWAYS HOLD WORK FIRMLY** against the miter gauge or rip fence.
3. **USE A PUSH STICK** when required. Always use a push stick when ripping narrow stock. Refer to ripping instructions in this Operator's Manual where the push stick is covered in detail. A pattern for making your own push stick is included on page 30.
4. **NEVER PERFORM ANY OPERATION "FREE HAND"**, which means using only your hands to support or guide the workpiece. Always use either the fence or the miter gauge to position and guide the work.

DANGER: FREEHAND CUTTING IS THE MAJOR CAUSE OF KICK-BACK & FINGER/HAND AMPUTATIONS.
5. **NEVER STAND** or have any part of your body in line with the path of the saw blade. Keep your hands out of the saw blade path.
6. **NEVER REACH** behind or over the cutting tool for any reason.
7. **NEVER** use a rip fence when cross cutting.
8. **DO NOT USE** a molding head with this saw.
9. **FEED WORK INTO THE BLADE** against the direction of rotation only.
10. **NEVER** use the rip fence as a cut-off gauge when cross-cutting.
11. **NEVER ATTEMPT TO FREE A STALLED SAW BLADE** without first turning the saw OFF. Turn power switch OFF and disconnect the plug from the power source immediately to prevent motor damage & before removing material
12. **PROVIDE ADEQUATE SUPPORT** to the rear and the sides of the saw table for long or wide workpieces.
13. **AVOID KICKBACKS** (work thrown back towards you) by keeping the blade sharp, the rip fence parallel to the saw blade and by keeping the splitter, anti-kickback pawls and guards in place and functioning. Do not release work before it has passed all the way past the saw blade & is off the table. Do not rip work that is twisted, warped or does not have a straight edge to guide it along the fence.
14. **AVOID AWKWARD OPERATIONS** and hand positions where a sudden slip could cause your hand to move into the saw blade.
15. **NEVER USE SOLVENTS** to clean plastic parts. Solvents could possibly dissolve or otherwise damage the material. Only a soft damp cloth should be used to clean plastic parts.
16. **MOUNT** your table saw on a bench or stand before performing any cutting operations. Refer to ASSEMBLY AND ADJUSTMENTS on page 9.
17. **NEVER CUT METALS** or materials which may make hazardous dust.
18. **ALWAYS USE IN WELL-VENTILATED AREA.** Remove sawdust frequently. Clean out sawdust from the interior of the saw to prevent a potential fire hazard. Attach a vacuum to the dust port for additional sawdust removal.
19. **NEVER LEAVE THE SAW** running unattended. Do not leave the saw until it comes to a complete stop.
20. **FOR** proper operation follow the instructions in this Operator's Manual. Failure to provide sawdust fall-through and removal hole will allow sawdust to build up in the motor area resulting in a fire hazard and potential motor damage (see page 10 for details).
21. **DO NOT AUTHORIZE ADDITIONAL USERS** to operate this power tool without the accompanying operators manual for which the user must read and understand.
22. **THE REAR OF THE TABLE INSERT MUST BE FLUSH TO THE TABLE** during all sawing operations. Two different inserts are provided for regular through-sawing operations and dado cutting where a rubber adjusting spacer is provided under the rear of the insert for this purpose.
23. **DO NOT USE A DADO BLADE LARGER THAN 6"** in diameter and 1/2" in width.

ELECTRICAL REQUIREMENTS AND SAFETY

POWER SUPPLY REQUIREMENTS

⚠ WARNING

To avoid electrical hazards, fire hazards or damage to the table saw, use proper circuit protection. Always use a separate electrical circuit for your tools. This power tool is wired at the factory for 120V operation. Connect it to a 120V, 15 Amp circuit and use a 15 Amp time delay fuse or circuit breaker. To avoid shock or fire, replace the cord immediately if it is worn, cut or damaged in any way.

EXTENSION CORD REQUIREMENTS

⚠ WARNING

Any extension cord must be **GROUND**ED for safe operation.

MINIMUM GAUGE FOR EXTENSION CORDS (AWG type / 120 Volt only)					
Ampere Rating		Total length in feet			
More Than	Not More Than	25'	50'	100'	150'
0	6	18	16	16	14
6	10	18	16	14	12
10	12	16	16	14	12
12	16	14	12	Not Applicable	

GUIDELINES FOR EXTENSION CORDS

Any extension cord used for power tools **MUST** be grounded (3 wire with two flat prongs and one round ground prong).

Make sure the extension cord is in good condition. When using an extension cord, make sure you use one heavy enough to carry the current the tool will draw. An undersized cord will cause a drop in line voltage resulting in loss of power and overheating. The table above shows the correct size to use according to extension cord length and nameplate ampere rating. If in doubt, use the next heavier gauge cord. The smaller the gauge number the heavier the cord.

NOTE: THE 12 TO 16 AMP RATING IS CORRECT FOR THIS TOOL. IT IS HIGHLIGHTED IN THE TABLE ABOVE.

Be sure your extension cord is properly wired and in good condition. Always replace a damaged extension cord or have it repaired by a qualified person before using it. Protect your extension cords from sharp objects, excessive heat and damp or wet areas.

Before connecting the saw to the extension cord, make sure the saw switch is turned OFF.

GROUNDING INSTRUCTIONS

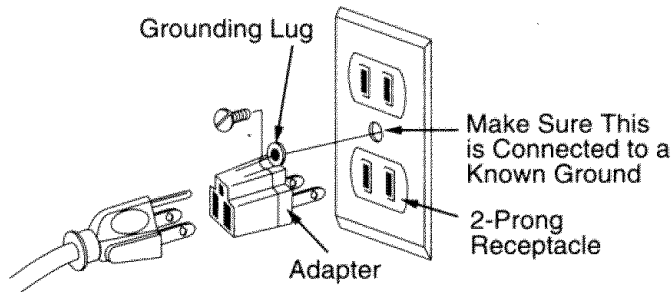
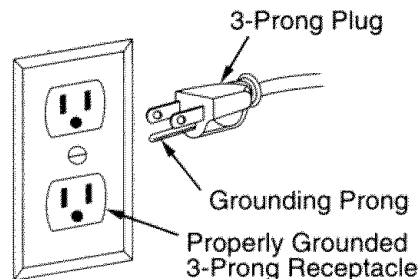
IN THE EVENT OF A MALFUNCTION OR BREAKDOWN, grounding provides a path of least resistance for electric current and reduces the risk of electric shock. This saw is equipped with an electric cord that has an equipment grounding conductor and a grounding plug. The plug **MUST** be plugged into a matching receptacle that is properly installed and grounded in accordance with ALL local codes and ordinances.

DO NOT MODIFY THE PLUG PROVIDED. If it will not fit the receptacle, have the proper receptacle installed by a qualified electrician.

IMPROPER CONNECTION of the equipment grounding conductor can result in risk of electric shock. The conductor (wire) with the green insulation (with or without yellow stripes) is the equipment grounding conductor. If repair or replacement of the electric cord or plug is necessary, **DO NOT** connect the equipment grounding conductor to a live terminal.

CHECK with a qualified electrician or service personnel if you do not completely understand the grounding instructions, or if you are not sure the saw is properly grounded.

USE ONLY 3-WIRE EXTENSION CORDS THAT HAVE 3-PRONG GROUNDING PLUGS AND 3-POLE GROUNDING RECEPTACLES THAT ACCEPT THE SAW'S PLUG. REPAIR OR REPLACE DAMAGED OR WORN CORDS IMMEDIATELY.



ACCESSORIES AND ATTACHMENTS

RECOMMENDED ACCESSORIES

▲ WARNING

Visit your Sears Hardware Department or see the Craftsman Power and Hand Tools Catalog to purchase recommended accessories for this power tool.

▲ WARNING

To avoid the risk of personal injury:

- Do not use adjustable (wobble) type dados or carbide tipped dado blades.
- Maximum dado width is 1/2".
- Do not use a dado with a diameter larger than 6".
- Do not use molding head set with this saw.
- Do not modify this power tool or use accessories not recommended by Sears.

TOOLS NEEDED FOR ASSEMBLY

TOOLS NEEDED



Medium screwdriver



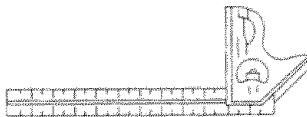
#2 Phillips screwdriver



Straight edge



Adjustable wrench



Combination square

CARTON CONTENTS

UNPACKING AND CHECKING CONTENTS

- For missing or damaged parts on initial purchase, call 1-800-843-1682
- To order parts, call 1-800-366-7278

Separate all parts from packing materials. Check each part with the illustration on the next page and the "Table of Loose Parts" to make certain all items are accounted for, before discarding any packing material.

▲ WARNING

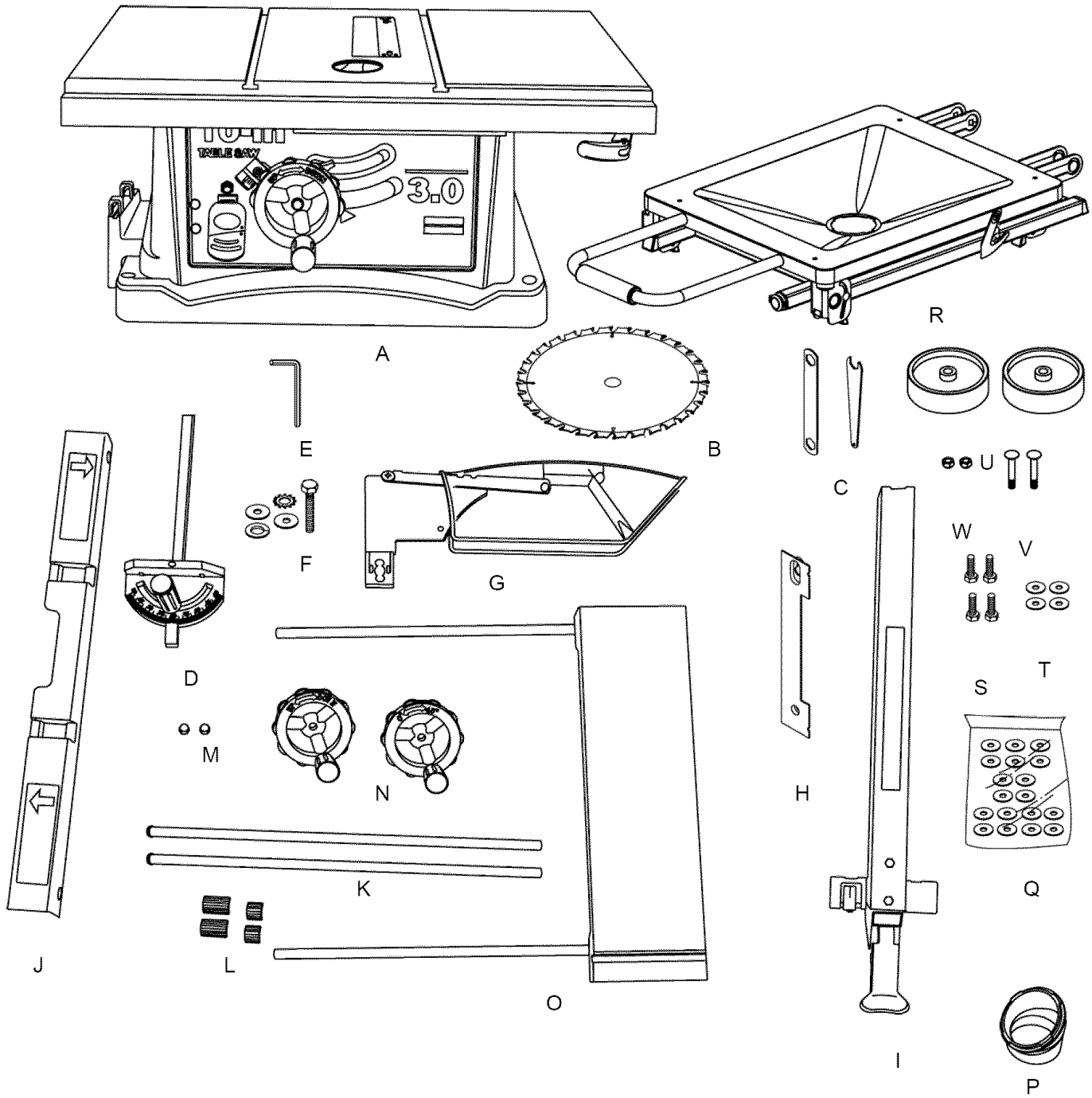
If any part is missing or damaged, do not attempt to assemble the table saw, plug in the power cord, or turn the switch ON until the missing or damaged part is obtained and is installed correctly.

TABLE OF LOOSE PARTS

ITEM	DESCRIPTION	QUANTITY
A.	Table saw assembly	1
B.	Blade	1
C.	Blade wrenches	2
D.	Miter gauge	1
E.	Hex key	1
F.	Bolt, flat washer, toothed washer, Oval washer, spring washer	1 each
G.	Blade guard and splitter	1
H.	Dado table insert	1
I.	Rip fence	1
J.	Rear table extension	1
K.	Rear table extension tube	2
L.	Location seat	4
M.	Dome nuts	2
N.	Hand wheels	2
O.	Table extension	1
P.	Dust collector elbow	1
Q.	Parallel washer hardware bag	1
STAND:		
R.	Stand assembly	1
S.	Hex. head bolts	4
T.	Flat washers	4
U.	Roller wheels	2
V.	Square neck bolts	2
W.	Nuts	2

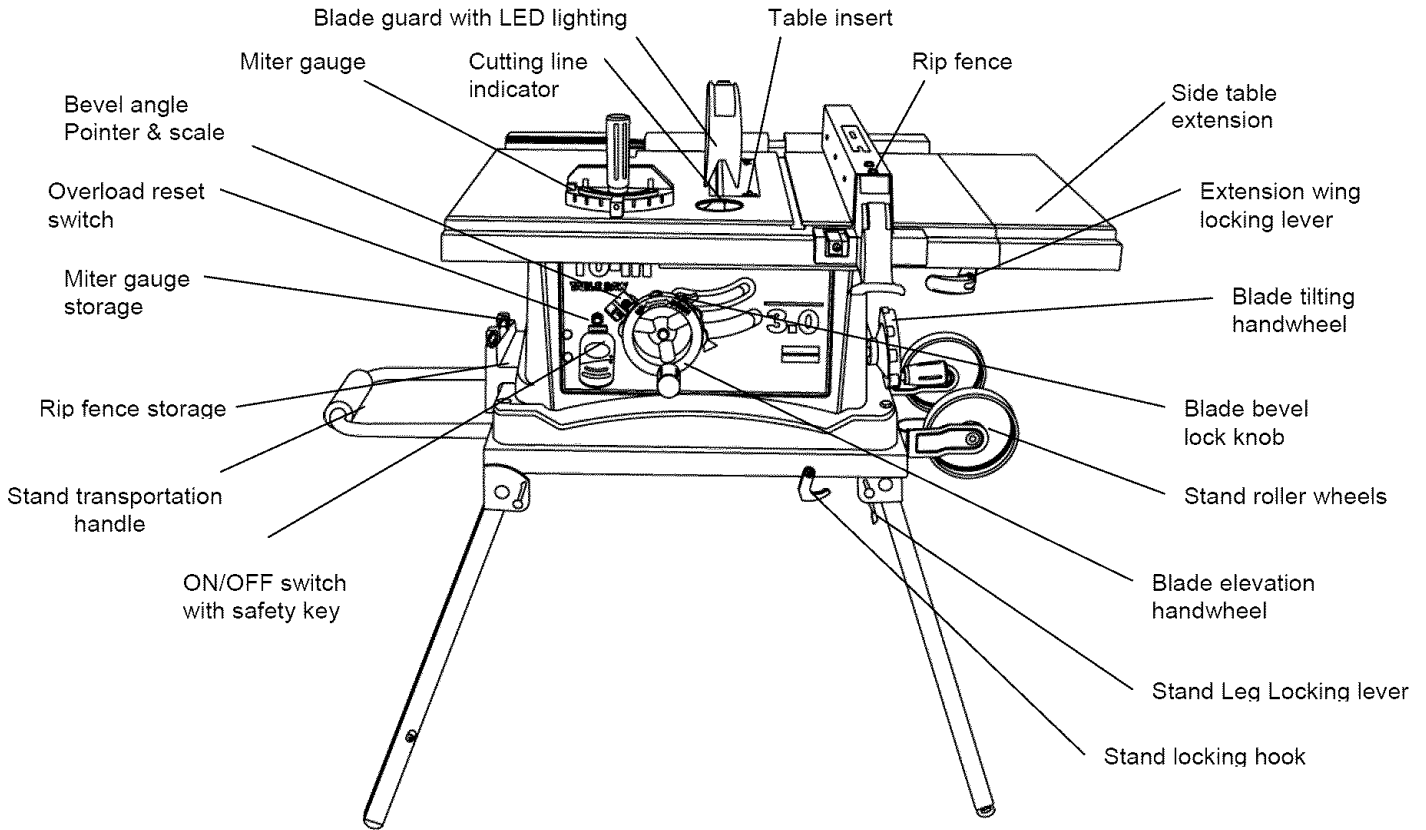
NOTE: To make assembly easier, keep contents of box together. Apply a coat of automobile wax to the table. Wipe all parts thoroughly with a clean dry cloth. This will reduce friction when pushing the workpiece. To avoid injury, the styrofoam block should be removed between the motor and the table.

UNPACKING YOUR TABLE SAW

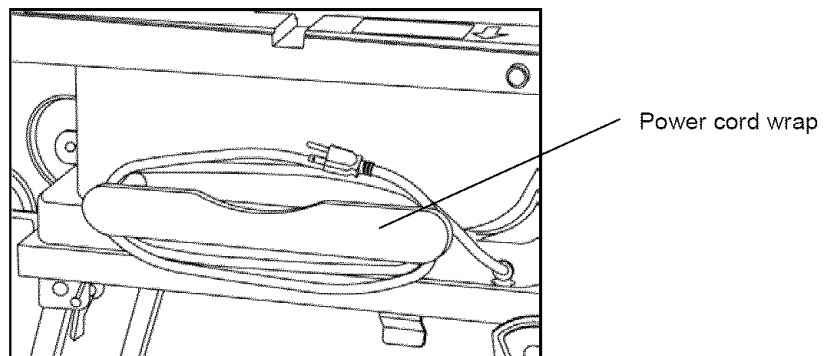


KNOW YOUR TABLE SAW

The Front of Table Saw



The Rear of Table Saw

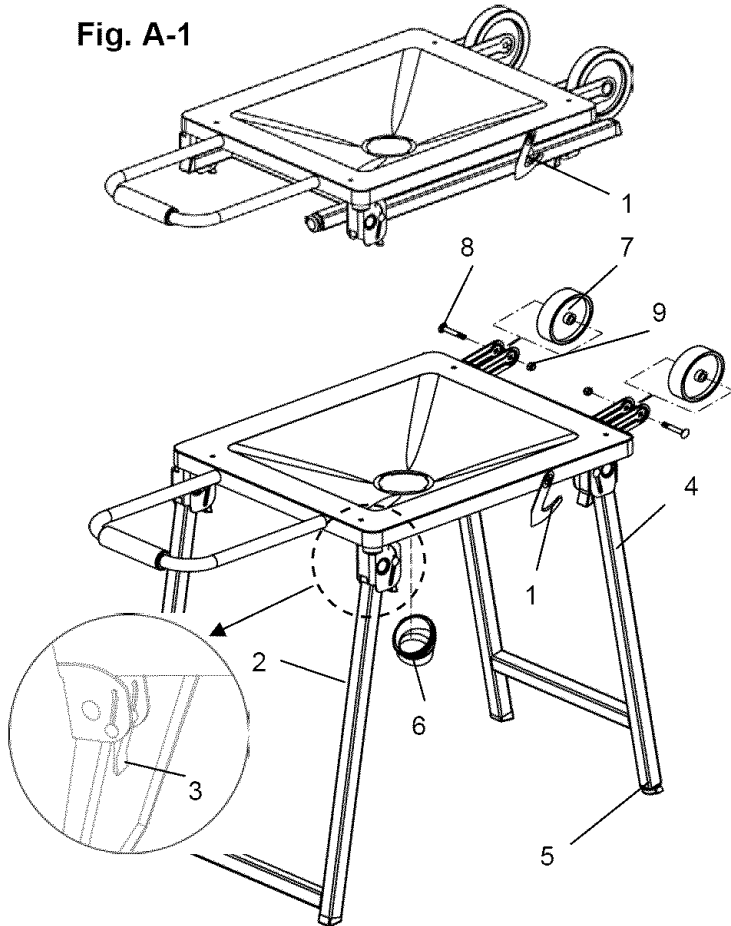


ASSEMBLY AND ADJUSTMENTS

STAND ASSEMBLY (Fig. A-1)

1. Release the stand locking hook (1) by sliding it to the left.
 2. Unfold the wider leg set on the left side of the stand (2). Pull the stand locking lever (3) downward and push down to lock in place.
 3. Lift the stand and unfold the narrower leg set on the right of the saw (4).
 4. Pull the lever downward and push down to lock in place.
- NOTE:** Make sure the stand is locked securely.

Fig. A-1



ASSEMBLING THE ROLLER WHEELS (Fig. A-1)

Attach one roller wheel (7) to the roller wheel mounting bracket using a square neck bolt (8) and lock nut (9) as shown. Repeat for other wheel.

INSTALLING THE DUST COLLECTION ELBOW (Fig. A-1)

1. Align the lip of the elbow with the slot on the exhaust port underneath the saw base and install the dust collection elbow (6) by rotating $\frac{1}{4}$ turn to lock in position.

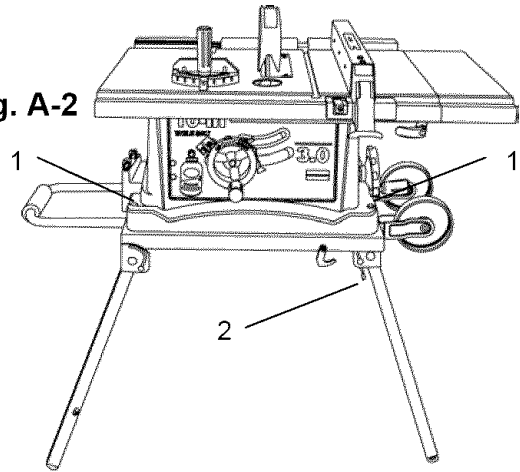
NOTE: The elbow can be used to attach a vacuum hose to remove sawdust from the work area.

ASSEMBLING TABLE SAW TO STAND (Fig. A-1,A-2)

1. Place stand on level surface and adjust the leveling foot (5) - (Fig. A-2) on the right rear leg of stand to stabilize.
2. Place table saw on the top of stand aligning the mounting holes in base with mounting holes in stand. Place four

flat washers onto four hex. head bolts (1) - (Fig. A-2). Place them through the base mounting holes and thread into the stand mounting and tighten all four bolts securely. **NOTE:** Do not over tighten bolts holding saw to stand. This may damage the saw base.

Fig. A-2



FOLDING THE TABLE SAW/STAND (Fig. A-1, A-3)

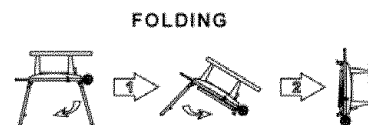
1. Rotate the stand locking lever to the left (1) - (Fig. A-1). Lift up on the right side stand locking lever (2) - (Fig. A-2) to unlock and lift the right side of the table saw up slightly off the floor, fold up the narrower leg set on the right side of the saw up to the base of the saw until it snaps into position on the spring clip.
2. Rest the right side of the saw back onto the floor, release the left side stand locking lever (3) - (Fig. A-1) and tilt the saw on its right side, then fold the left side leg set up into the storage position.
3. Secure the stand legs into position by rotating the stand locking lever (1) - (Fig. A-1) to the right.

SETTING UP THE TABLE SAW/STAND (Fig. A-3)

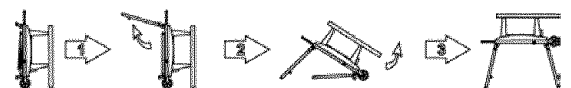
1. Rotate the stand locking lever to the left (1) - (Fig. A-1).
2. Unfold the wider leg set (left side) and lock the stand locking lever in place by sliding the lever down the slots of the mounting bracket and push downward to lock in place.
3. Rest the left side of the saw onto the floor and lift up on the right side of the stand and unfold the narrower leg set.
4. Secure the right side legs into position by locking the stand locking lever in place.

NOTE: Make sure the saw is locked in position as instructed before operation.

Fig. A-3



SET-UP



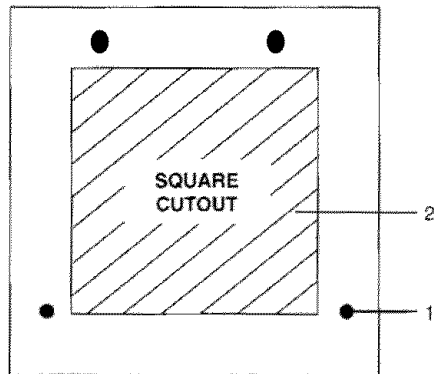
SAW MOUNTED TO WORK SURFACE (FIG. B)

1. If the leg set will not be used, the saw must be properly secured to a sturdy workbench using the four mounting holes at the base of the saw.
2. The surface of the table where the saw is to be mounted must have a hole large enough to facilitate sawdust fall-through and removal.
3. Square the saw on the mounting surface and mark the location of the four 3/8" mounting holes (1).
4. Drill 3/8" hole into the mounting surface.
5. Mark an 11" square (2) centered between the four mounting holes (1).
6. Cut out and remove the square.
7. This opening will allow sawdust to fall through the saw base.
8. Place the saw on the work surface, and align the mounting holes of the saw with those drilled through the surface.
9. Fasten the saw to the work surface.

▲ DANGER

Do not operate this machine on the floor. This is very dangerous and may cause serious injury.

Fig. B



▲ WARNING

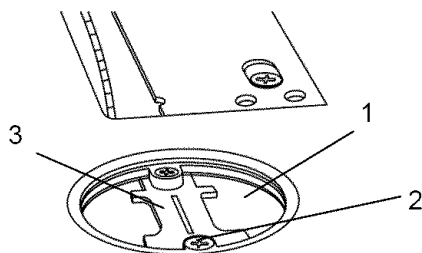
Failure to provide the sawdust fall-through hole for use of the saw when mounted to a work surface and not the stand will cause sawdust to build up in the motor area, which may result in fire or cause motor damage.

ADJUSTING THE CUT LINE INDICATOR (FIG.C)

1. Remove the indicator cover (1) and the two mounting screws (2).
2. Adjust the indicator to the desired position (3) to align with the blade.
3. Replace the cover onto the table and replace the two screws to affix the indicator in position.

NOTE:The cut line indicator was set up at the factory to be positioned to the right side of the saw blade.

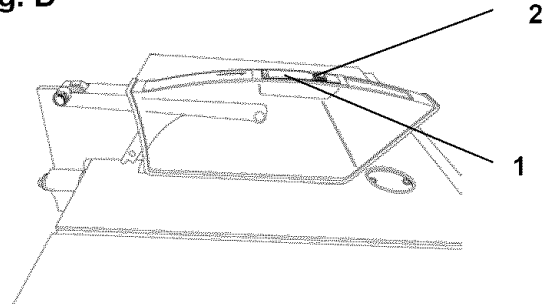
Fig. C



INSTALLING BATTERY FOR LED WORKLIGHT (FIG.D)

1. Open the cover (1) of the battery box on the top of blade guard.
2. Install two 1.5V - 3A batteries into the battery box.
3. Secure the cover into the closed position.
4. Turn the on/off switch (2) to the on position to display the LED light.

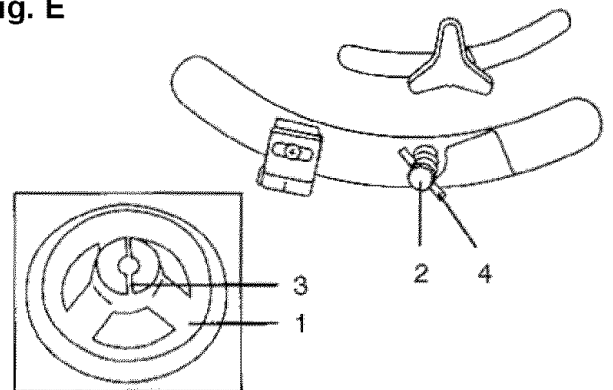
Fig. D



BLADE RAISING HANDWHEEL (FIG. E, F)

1. Attach the up ~ down handwheel (1) to the elevation rod (2) at the front of the saw. Make sure the slots (3) in the hub of the handwheel engage with the pins (4).
2. Attach and tighten the dome nut (5 - Fig. F).

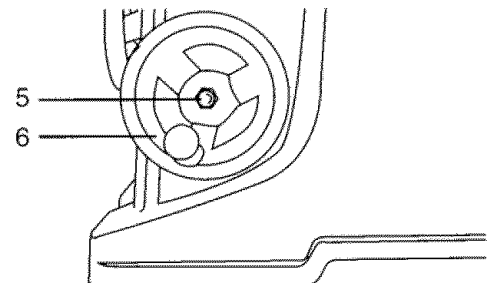
Fig. E



BLADE TILTING HANDWHEEL (FIG. F)

1. Attach the bevel 0° ~ 45° handwheel (6) to the blade tilting rod on the right side of the saw in the same manner as above.
2. Attach and tighten the handwheel dome nut (5).

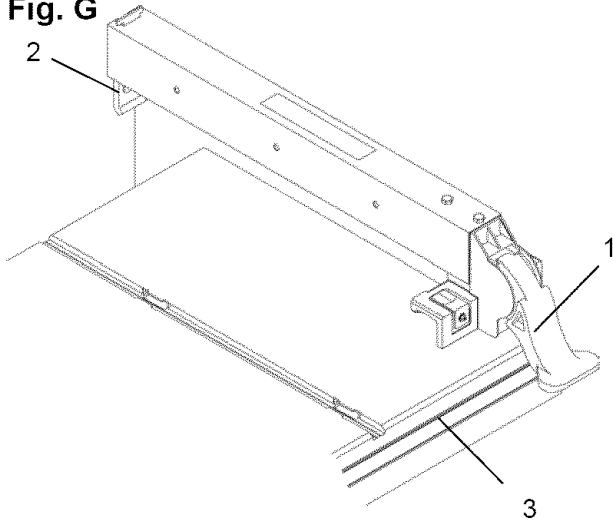
Fig. F



RIP FENCE (Fig. G)

1. Lift upward on the rip fence handle (1) so the rear clamp (2) is fully extended.
2. Place the rip fence on the saw table by engaging the front of the rip fence first
3. Lower the rear of the fence onto the table.
4. Push down on the fence handle to lock in place.

Fig. G



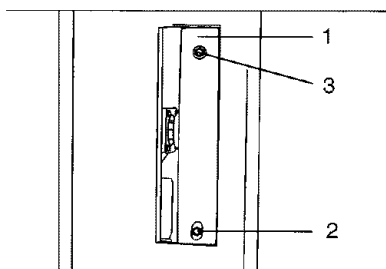
INSTALLING AND CHANGING THE BLADE (FIG. H, I, J)

▲ DANGER

- To avoid injury from an accidental start, make sure the switch is in the OFF position and the plug is not connected to the power source outlet.
- To avoid serious injury, table insert must be level with the table. If the table insert is not level with the table, adjust the screw (3) until it is level with the table. To raise the insert, turn the screw counterclockwise, to lower the insert, turn the screw clockwise. Note: A rubber adjusting spacer is provided under rear of insert for this purpose.

1. Remove the table insert (1) by removing the two screws (2, 3). Be careful not to lose the rubber washer that is on the back screw (3) beneath the table insert. (Fig. H)

Fig. H



2. Raise the blade arbor (4) (Fig. I) to the maximum

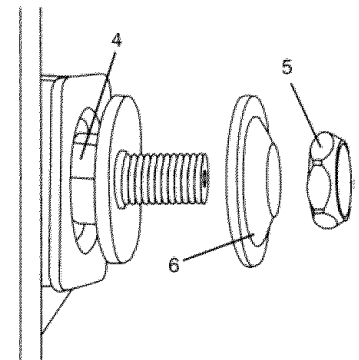
height by turning the blade raising handwheel counterclockwise.

3. Place the open-end wrench jaws on the flats of the saw arbor to keep the arbor from turning. (Fig. J) and place the box-end wrench (8) on the arbor nut (5), and turn counterclockwise.
4. Remove the arbor nut (5) and outer flange (6).
5. Install the saw blade onto the arbor with the blade teeth pointing toward the front of the saw.
6. Install the flange (6) against the blade and thread the arbor nut (5) as far as possible by hand. Ensure that the blade is flush against the inner side of the blade flange.

▲ WARNING

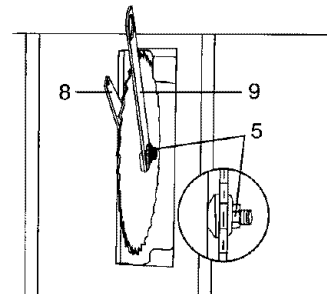
To avoid possible injury and damage to the workpiece be sure to install the blade with the teeth pointing toward the front of table in the direction of the rotation arrow on the blade guard.

Fig. I



7. To tighten the arbor nut (5) place the open-end wrench jaws on the flats of the saw arbor to keep the arbor from turning. (Fig. J)
8. Place the box-end wrench (9) on the arbor nut (5), and turn clockwise (to the rear of the saw table).
9. Replace the blade insert in the table recess, insert the screws through the front and rear holes and tighten remembering the rubber washer under the rear of the insert..

Fig. J

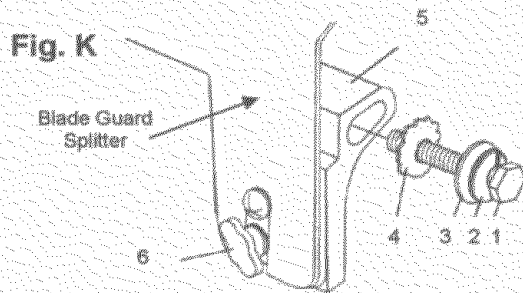


▲ WARNING

To avoid injury from a thrown workpiece, blade parts, or blade contact, never operate saw without the proper insert in place. Use the original installed insert for all sawing operations except dado cuts. Use the dado head insert when using a dado.

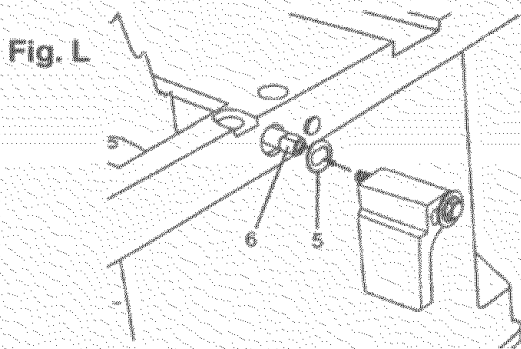
BLADE GUARD ASSEMBLY (FIG. K, L, M)

1. Set the blade to maximum height and the tilt to zero degrees on the bevel scale with the hand wheels. Lock the blade lock knob.
2. Place the spring washer (2), flat washer (3), external tooth lock washer (4) onto the blade guard mounting bolt (1). (Fig. K)



3. Place the oval washer (5) on the pivot rod (6). (Fig. L)
4. Install the blade guard splitter & bracket assembly (4) into the rear of the saw table. Thread the bolt (3) into the internally threaded pivot rod until snug.

NOTE: The blade guard & splitter is removed from the illustration for clarity.

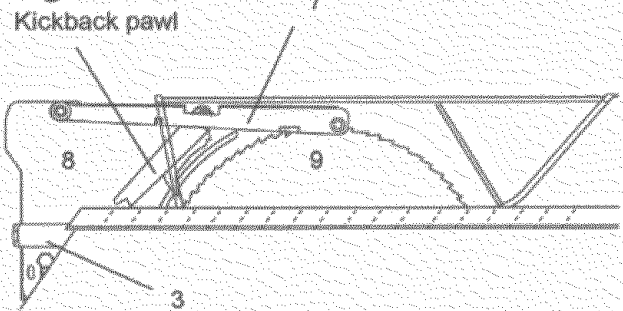


5. Lift blade guard arm (7) up and using a straight edge, align the blade guard splitter (8) with the saw blade (9).
 6. Shift the splitter assembly to right or left until parallel alignment to the blade is achieved.
 7. When the splitter is properly aligned with the saw blade, tighten the bolt securely.
- NOTE:** The splitter must always be correctly aligned so that the cut workpiece will pass on either side without binding or twisting to the side.

⚠ DANGER

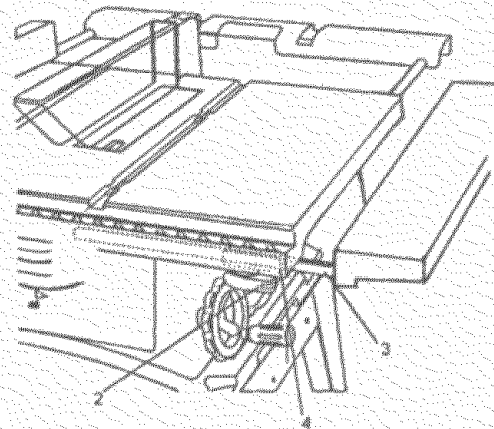
Improper splitter alignment can cause "kickback" and Serious injury.

Fig. M



INSTALLING TABLE SIDE EXTENSIONS (FIG. N)

1. Identify the right hand table extension.
NOTE: For illustration purposes the view in Fig. N looks "through" the saw table to the under side of the table.
The right hand table extension is the one with the measuring scale (1) visible from the front of the saw when it is installed to the right hand side of the saw table (Fig. N).
2. Unlock both front and rear cam locking levers (2) on the right hand side of the saw base.
3. Insert the table extension mounting tubes (3) into the two matching holes in the cam lever assemblies.
NOTE: Make sure the front mounting tube has the measuring scale visible from the front of the saw.
4. Slide the table extension toward the table until it rests against the saw table.
5. Place the location seat on the rear side extension tube.
6. Lock both cam locking levers.



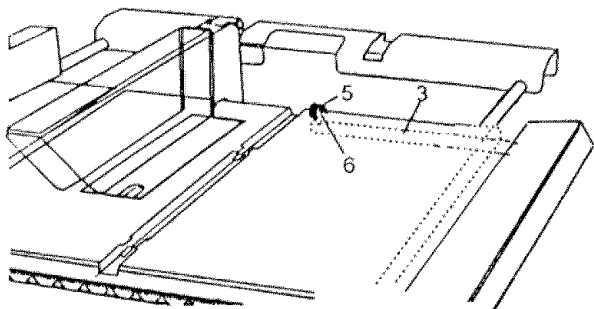
INSTALLING THE TABLE SIDE EXTENSIONS- cont'd (FIG. O)

6. Snap one location seat (5) over the end of the rear table extension tube (3). Make sure the locating pin (6) in the location seat fits into the matching hole in the extension tube (Fig. O).
7. Install the left hand table extension in a similar way.

NOTE:

For illustration purposes the view in Fig. O looks "through" the saw table to the under side of the table.

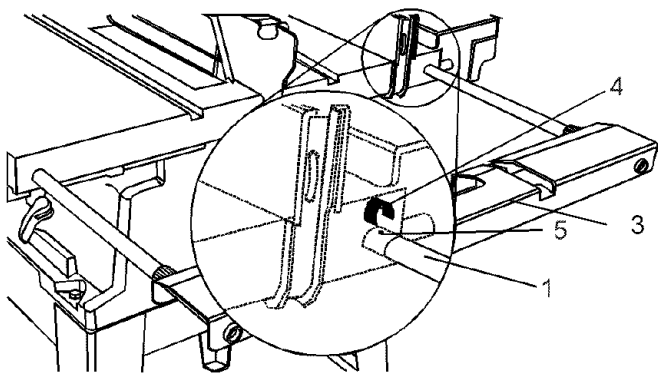
Fig. O



INSTALLING REAR TABLE EXTENSION (FIG. P)

1. Place the rear table extension onto the two rear table extension tubes (1).
2. Snap two location seats (4) over the two rear table extension tubes (1). Make sure the locating pin in the location seat fits into the matching hole (5) in the extension tube.
3. Insert rear table extension tubes (1) into the two holes in the rear of the saw table and into extension tube brackets under the table. Position rear table support so instruction labels are up.
4. Snap one location seat (4) over the end of the left rear table extension tube (1). Make sure the locating pin in the location seat fits into the matching hole in the extension tube.

Fig. P



ADJUSTING REAR TABLE EXTENSION

1. Rear table extension should be positioned as close as possible to the rear of the table when ripping short work pieces.
2. Rear table extension should be pulled out fully until the location seat prevents it from moving outward when ripping long work pieces that require extra support as you are completing the cut.

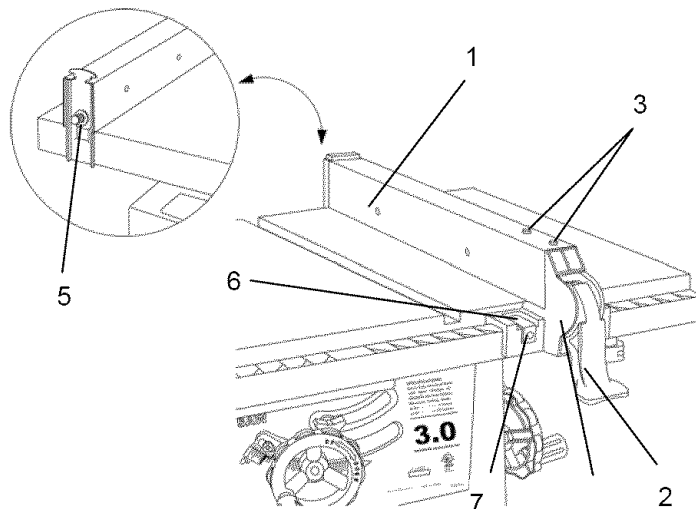
RIP FENCE ADJUSTMENT (FIG. Q)

1. The fence (1) is moved by lifting up on the handle (2) and sliding the fence to the desired location. Pushing down on the handle locks the fence in position.
2. Position the fence on the right side of the table, and along the miter gauge groove.
3. Lock the fence handle. The fence should be parallel with the miter gauge groove.
4. If adjustment is needed to make the fence parallel to the groove, do the following:
 - Loosen the two screws (3) and lift up on the handle (2).
 - Hold the fence bracket (4) firmly against the front of the saw table. Move the far end of the fence until it is parallel with the miter gauge groove.
 - Tighten both screws and push the handle to lock.
5. If fence is loose when the handle is in the locked (downward) position, do the following:
 - Move the handle (2) upward and turn the adjusting nut (5) clockwise until the rear clamp is snug. Do not turn the adjusting screw more than 1/4 turn at a time.
 - Over-tightening the adjusting screw will cause the fence to come out of alignment.

▲ WARNING

Failure to properly align fence can cause "kickback" and serious injury.

Fig. Q



RIP FENCE INDICATOR ADJUSTMENT (FIG. P)

1. The rip fence indicator (6) points to the measurement scale (8). The scale shows the distance between the fence and the blade.
2. Measure the actual distance with a rule. If there is a difference between the measurement and the indicator, adjust the indicator (6).
3. Loosen the screw (7) and slide the indicator to the correct measurement on the scale. Tighten the screw and re-measure with the rule.

▲ WARNING

To avoid injury from an accidental start, make sure the switch is in the OFF position and the plug is not connected to the power source outlet.

ADJUSTING THE 90° AND 45° POSITIVE STOPS (FIG. Q-1, Q-2, Q-3)

Your saw has positive stops that will quickly position the saw blade at 90° to the table. Make adjustments only if necessary.

90° Stop

1. Disconnect the saw from the power source.
2. Turn the blade elevation handwheel and raise the blade to the maximum elevation.
3. Loosen the blade bevel lock knob (2) and move the blade to the maximum vertical position, then tighten the lock knob (2).
4. Place a combination square on the table and against the blade (1) to determine if the blade is 90° to the table. (Fig. Q-2)
5. If the blade is not 90° to the table, loosen the two set screws (4), located on the collar (5) underneath the table saw, (Fig. Q-3) with the hex key, and back off the collar..
6. Loosen the bevel lock knob. Turn the blade tilting handwheel to move the blade until it is 90° to the table.
7. Adjust the collar (5) so it contacts the bracket (3) when the blade is 90° to the table. Tighten the two set screws (4) (Fig. Q-3).

Fig. Q-1

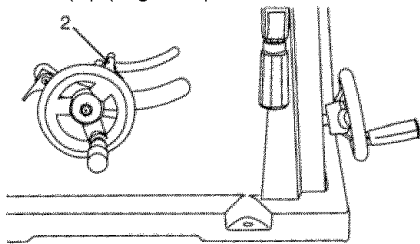
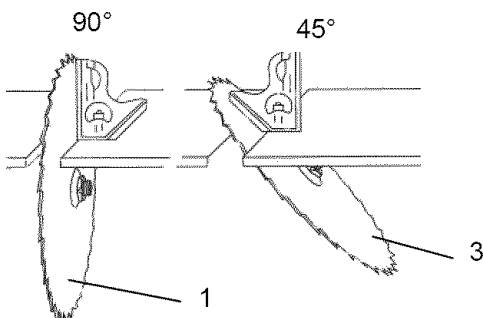


Fig. Q-2



45° Stop

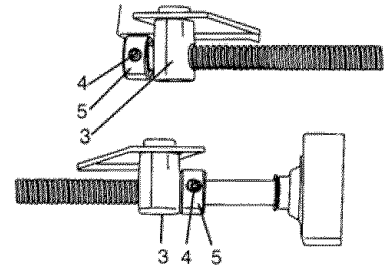
1. With the blade in the upright 90° position, loosen the bevel lock knob and move the blade to the 45° position as far as it will go.
2. Place the combination square on the table as shown in (Fig. Q-2) to check if the blade is 45° to the table.
3. If the blade is not 45° to the table, loosen the two set screws (4), located on the collar (5) underneath the table saw, (Fig. Q-3) with the hex key, and back off the collar.
4. Tighten the bevel lock knob & secure the screw (4) until resistance is felt. Do not overtighten.

BLADE TILT POINTER

1. When the blade is positioned at 90°, adjust the blade tilt pointer to read 0° on the scale.
2. Loosen the mounting screw, position pointer over 0° and tighten the screw.

NOTE: Make a trial cut on scrap wood before making critical cuts. Measure for exactness.

Fig. Q-3



BLADE TILT POINTER

3. When the blade is positioned at 90°, adjust the blade tilt pointer to read 0° on the scale.
4. Loosen the holding screw, position pointer over 0° and tighten the screw.

NOTE: Make a trial cut on scrap wood before making critical cuts. Measure for exactness.

BLADE PARALLEL TO THE MITER GAUGE GROOVE (FIG. R,S)

▲ WARNING

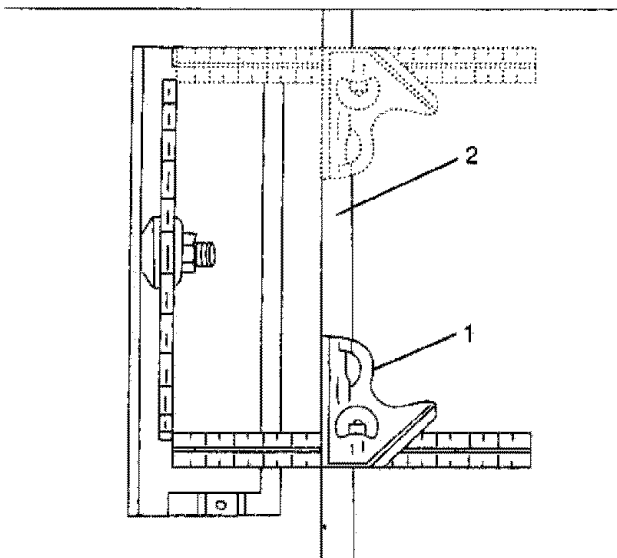
This adjustment was made at the factory, but it should be rechecked and adjusted if necessary.

▲ WARNING

To prevent personal injury:

- Always disconnect plug from the power source when making any adjustments.
 - This adjustment must be correct or kickback could result in a serious injury and accurate cuts can not be made.
1. Remove the yellow switch key and unplug the saw.
 2. Move the blade guard out of the way.
 3. Raise the blade to the highest position and set at the 0° angle (90° straight up).
 4. Select and mark, with a felt tip marker, a blade tooth having a "right set" angle and positioning this tooth 1/2" above the table at the front of the saw.
 5. Place the combination square base (1) into the right side miter gauge groove (2). (Fig. R)
 6. Adjust the rule so it touches the front marked tooth and lock ruler so it holds its position in the square assembly.
 7. Rotate the blade bringing the marked tooth to the rear and about 1/2 inch above the blade.
 8. Carefully slide the combination square to the rear until the ruler touches the marked tooth.
 9. If the ruler touches the marked tooth at the front and rear position, no adjustment is needed at this time. If not, perform the adjustment procedure described in next section.

Fig. R



Additional blade adjustments (Fig. S)

NOTE: The adjusting nuts are 8mm.

The adjusting mechanism is located above the blade height adjusting hand wheel under the tabletop. If the front and rear measurements are not the same, adjust the alignment by the mechanism as follows:

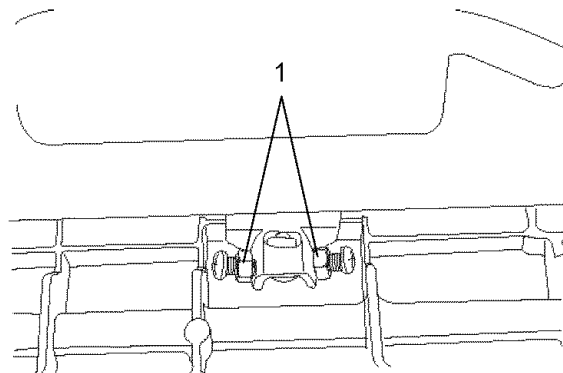
If the blade is partial to right side:

1. Loosen the two nuts (1) and the right side screw, then adjust the left side screw.
2. Tighten the nuts (1) and the right screw and remeasure, as described in steps 4 to 9 in the prior section.

If the blade is partial to left side:

3. Loosen the two nuts (1) and the left side screw, then adjust the right screw to its position.
4. Tighten the nuts (1) and the left screw and remeasure, as described in steps 4 to 9 in the prior section.
5. Recheck blade clearance making sure that the blade does not hit the table insert or other parts when at the 90° and 45° settings.

Fig. S



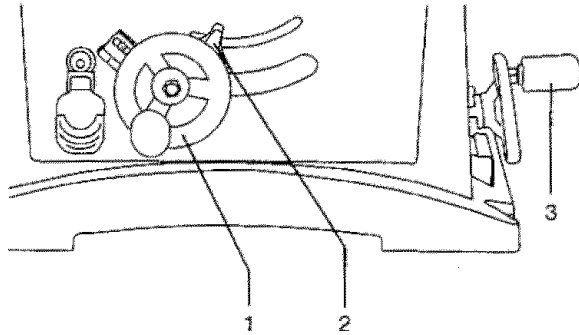
OPERATION

BASIC SAW OPERATIONS

ADJUSTING BLADE HEIGHT (FIG. T)

To raise or lower the blade, turn the blade elevation handwheel (1) to the desired blade height.

Fig. T



TILTING THE BLADE (FIG. T)

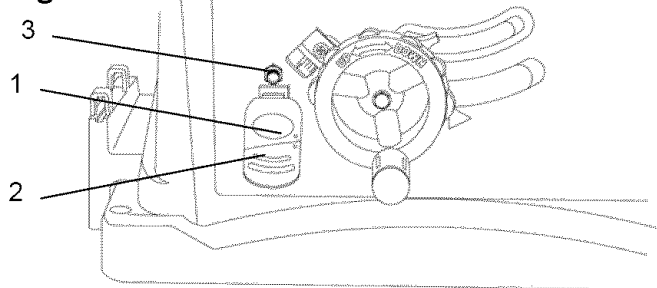
1. To tilt the saw blade for bevel cutting, loosen the lock knob (2) and turn the tilting handwheel (3) to the desired angle.
2. Tighten the bevel lock knob (2) to secure the angle.

ON/OFF SWITCH (FIG. U)

The ON / OFF switch has a removable safety key. With the key removed from the switch, unauthorized and hazardous use by children and others is minimized.

1. To turn the saw ON, insert key (1) into the slot in the switch (2). Move the switch upward to the ON position.
2. To turn the saw OFF, move the switch downward.
3. To lock the switch in the OFF position, grasp the end of the toggle switch (1) and pull out the safety switch key.
4. With the switch key removed, the switch will not operate.
5. If the switch key is removed while the saw is running, it can be turned OFF but cannot be restarted without inserting the switch key (1).

Fig. U



OVERLOAD PROTECTION (FIG. V)

This saw has a reset overload relay button (3) that will restart the motor after it shuts off due to overloading or low voltage. If the motor stops during operation, turn the ON / OFF switch to the OFF position. Wait for the motor to cool. Push in on the reset button (3) and turn the switch to the ON position.

▲WARNING

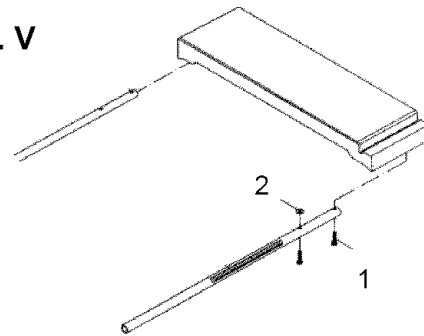
To avoid injury, the ON / OFF switch must be in the OFF position and the plug removed from the power source while the cool down takes place, to prevent accidental starting when the reset button is pushed. Overheating may be caused by misaligned parts or a dull blade. Inspect your saw for proper setup before using it again.

USING THE TABLE EXTENSION (FIG. V, V-1)

If the table extension is not parallel with the table. Remove the bolts (1) and position the parallel washers (2) between the table extension and tube until it is parallel with the table, then tighten the bolts.

NOTE: Parallel washer (2) see page 6 for table of loose parts ITEM: Q.

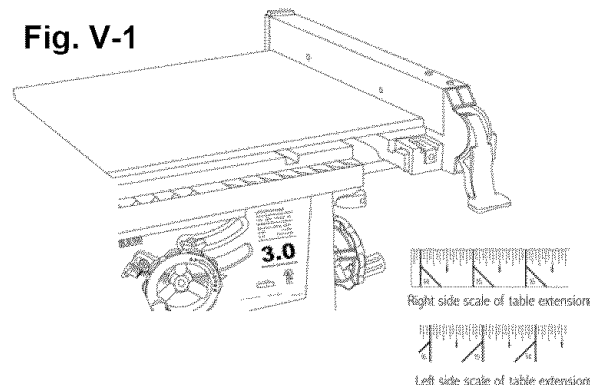
Fig. V



NOTE: Move and lock the fence to the 15" left or right side scale. The fence is now clear of the table.

1. Release the extension lock handles.
2. Slide the extension out until the correct measurement is displayed on the tube scale. The user sights the scale off the edge of the table.
3. Tighten both extension lock handles.

Fig. V-1



CUTTING OPERATIONS

There are two basic types of cuts: ripping and crosscutting. Ripping is cutting along the length and with the grain of the workpiece. Crosscutting is cutting either across the width or across the grain of the workpiece. Neither ripping nor crosscutting may be done safely freehand. Ripping requires the use of the rip fence, and crosscutting requires the miter gauge. Never use a rip fence and miter gauge at the same time.

⚠ WARNING

Before using the saw each and every time, check the following:

1. Blade is tight on the arbor.
2. Bevel angle lock knob is tight.
3. If ripping, fence lock handle is tight and fence is parallel to the blade.
4. Blade guard is in place and working properly.
5. Safety glasses are being worn.

The failure to adhere to these common safety rules, and those printed in the front of this manual, can greatly increase the likelihood of injury.

RIPPING (FIG. W, X)

⚠ WARNING

To prevent serious injury:

- Never use the miter gauge when ripping.
- Never use more than one rip fence during a single cut.
- Do not allow familiarity or frequent use of your table saw to cause careless mistakes. Remember that even a careless fraction of a second is enough to cause a severe injury.
- Keep both hands away from the blade and path of the blade.
- The workpiece must have a straight edge against the fence and must not be warped, twisted, or bowed.
- DANGER – Never attempt to pull the workpiece backwards during a cutting operation. This will cause kickback and serious injury to the user can occur.

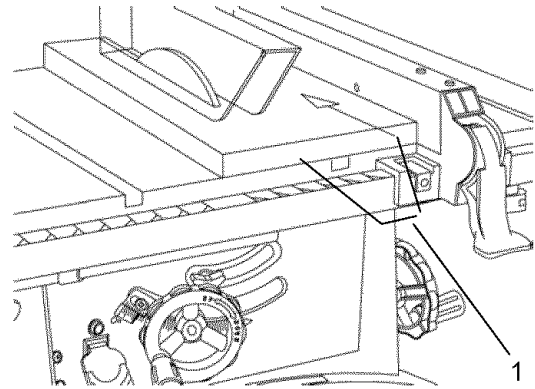
1. Remove the miter gauge. Secure the rip fence to the table or if using the extension fence, set the position and remove all other rip fences from the table..
2. Raise the blade so it is about 1/8" higher than the top of the workpiece.
3. Place the workpiece flat on the table and against the fence. Keep the workpiece about 1" away from the blade.
4. Turn the saw ON and wait for the blade to come up to speed.

5. Slowly feed the workpiece into the blade by pushing forward only on the workpiece section (1) that will pass between the blade and the fence. (Fig. W)

⚠ WARNING

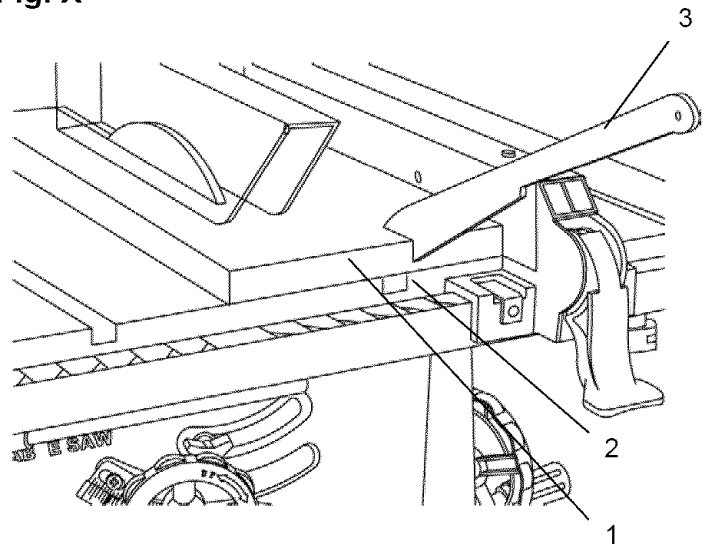
AVOID KICKBACK by pushing forward that section of the workpiece that will pass between the blade and the fence. Use a push stick at all times.

Fig. W



6. Keep your thumbs off the blade top. When both of your thumbs touch the front edge of the table (2), finish the cut with a push stick (3). You can make a push stick using the pattern on page 30 (Fig. X).
7. The push stick (3) should always be used for all ripping operations for safety (Fig. X).
8. Continue pushing the workpiece with the push stick until it passes the blade guard and clears the rear of the table.
9. DANGER - Never attempt to pull the workpiece backwards during a cutting operation. This will cause kickback and serious injury to the user can occur. When the blade completely stops raise the anti-kickback pawls on each side of the splitter and slide the workpiece out.

Fig. X



BEVEL RIPPING

This cut is the same as ripped except the blade bevel angle is set to an angle other than "0".

⚠ WARNING

Cut only with the workpiece and the fence on the right side of the blade.

⚠ DANGER

Never attempt to pull the workpiece backwards during a cutting operation. This will cause kickback and serious injury to the user can occur.

RIPPING SMALL PIECES

⚠ WARNING

Avoid injury from the blade contact. Never make through-saw cuts narrower than 3/4" wide.

1. It is unsafe to rip small pieces. Instead, rip a larger piece to obtain the size of the desired piece.
2. When a small width is to be ripped, your hand cannot be safely put between the blade and the rip fence, therefore, use one or more push sticks to pass the workpiece completely through and past the blade.

CROSSCUTTING 90° MITER ANGLE (FIG. Y)

⚠ WARNING

To prevent serious injury:

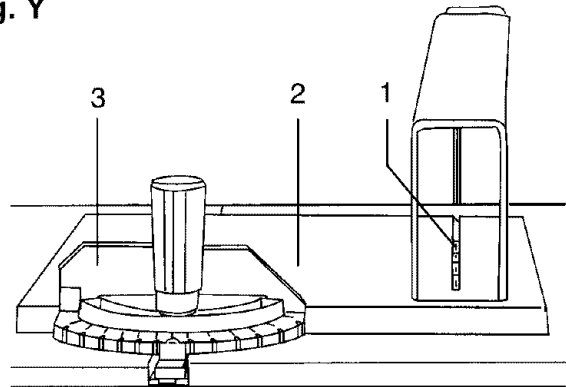
- Do not allow familiarity or frequent use of your table saw to cause careless mistakes. Remember that even a careless fraction of a second is enough to cause a severe injury.
 - Keep both hands away from the blade and the path of the blade.
 - **DANGER** - Never attempt to pull the workpiece backwards during a cutting operation. This will cause kickback and serious injury to the user can occur.
1. Remove the rip fence lower all table extension fences flush to the table and place the miter gauge a miter gauge groove on the table.
 2. Adjust the blade height so it is 1/8" higher than the top of the workpiece.
 3. Hold the workpiece firmly against the miter gauge with the blade path in line with the desired cut location. Move the workpiece to one inch distance from the blade.
 4. Start the saw and wait for the blade (1) to come up to full speed. Never stand directly inline of the saw blade path, always stand to the side of the blade that you are cutting on.
 5. Keep the workpiece (2) against the face of the miter gauge (3) and flat against the table. Then slowly push the workpiece through the blade. (Fig. Y)
 6. Do not try to pull the workpiece back with the blade

turning. Turn the switch OFF, and carefully slide the workpiece out when the blade is completely stopped.

⚠ WARNING

Always position the larger surface of the workpiece on the table when crosscutting and/or bevel crosscutting to avoid instability.

Fig. Y



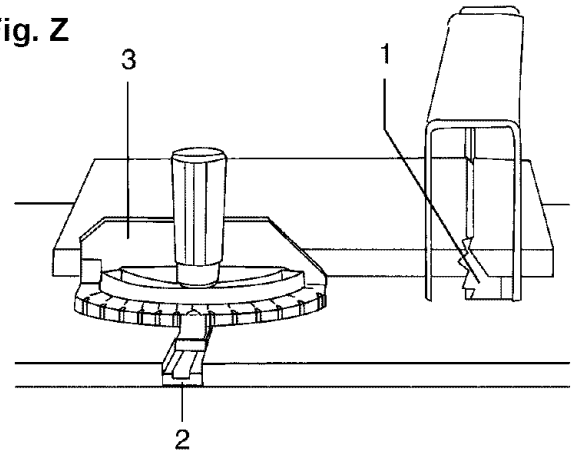
BEVEL CROSSCUTTING (FIG. Z)

0°~45° BLADE BEVEL & 90° MITER ANGLE

This cutting operation is the same as crosscutting except the blade is at bevel angle other than 0°.

1. Adjust the blade (1) to the desired angle, and tighten the blade bevel lock knob.
2. Tighten miter lock handle at 90°.

Fig. Z



COMPOUND MITER CROSSCUTTING (FIG. AA)

0°~45° BLADE BEVEL & 0°~45° MITER ANGLE

This sawing operation is combining a miter angle with a bevel angle.

WARNING - Always work to the left side of the blade during this type of cut. The miter gauge (3) must be in the left side miter gauge groove. It cannot be used in the right side groove unless the miter angle is very sharp, as it will interfere with the blade guard.

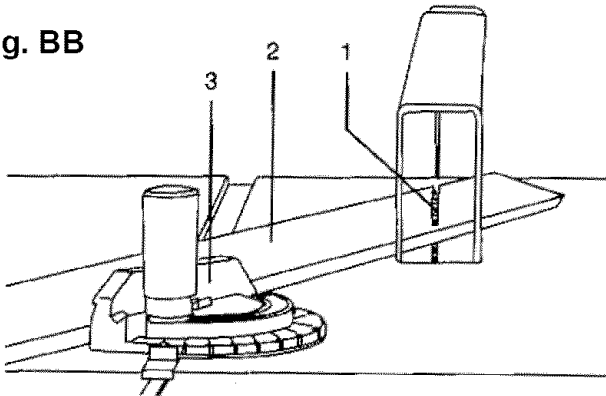
1. Set the miter gauge (3) to the desired angle. Use only the left side groove (2).
2. Set the blade (1) bevel to the desired angle.
3. Carefully push the miter gauge to begin the cutting operation.

MITERING (FIG. BB) 0°~45° MITER ANGLE

This sawing operation is the same as crosscutting except the miter gauge is locked at an angle other than 90°. **WARNING** - Always work to the left side of the blade during this type of cut. The miter gauge (3) must be in the left side miter gauge groove. It cannot be used in the right side miter gauge groove unless the miter angle is very sharp, as it will interfere with the blade guard.

1. Hold the workpiece (2) firmly against the miter gauge (3).
2. Feed the workpiece slowly into the blade (1) to prevent the workpiece from moving.

Fig. BB

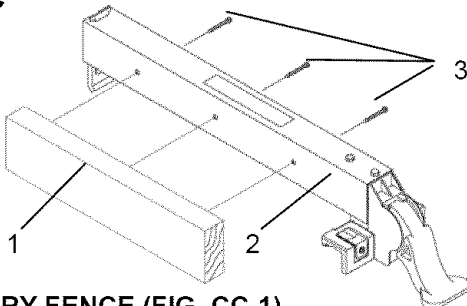


USING WOOD FACING ON THE RIP FENCE (FIG. CC)

When performing special cutting operations, you can add a wood facing (1) to either side of the rip fence (2).

1. Use a smooth straight 3/4" thick wood board (1) that is as long as the rip fence.
2. Attach the wood facing to the fence with wood screw (3) through the hole in the fence. A wood fence should be used when ripping material such as thin paneling to prevent the material from catching between the bottom of the fence and the table.

Fig. CC



AUXILIARY FENCE (FIG. CC-1)

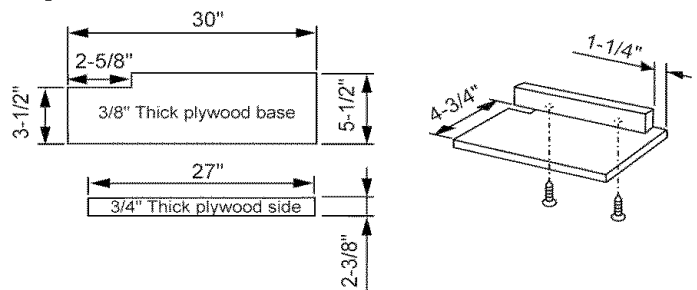
Making the base:

- Start with a piece of 3/8" plywood at least 5-1/2" wide or wider and 30" long or longer & cut the piece to shape and size shown.

Making the side:

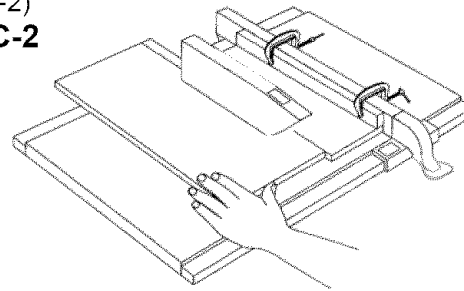
- Start with a piece of 3/4" plywood at least 2-3/8" wide or wider and 27" long or longer & cut the piece to shape and size shown.
- Assemble the pieces together as shown.
- Make sure the screw heads do not stick out from the bottom of the base, they must be flush or recessed. The bottom must be flat and smooth enough to rest on the saw table without rocking.

Fig. CC-1



Attach auxiliary fence to rip fence with two "C" clamps. (Fig. CC-2)

Fig. CC-2

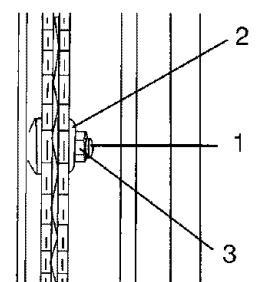


DADO CUTS (FIG. DD)

1. The dado table insert is included with this saw. Remove saw blade and blade guard for dado cuts only. Reinstall and realign blade guard for all through sawing operations. Install a dado not exceeding 6" diameter and 1/2" width and the dado table insert.
2. Instruction for operating the dado is packed with the separately purchased dado set.
3. The arbor (1) on this saw restricts the maximum width of the cut to 1/2".
4. It is not necessary to install the outside flange (2) before threading on the arbor nut (3) for maximum 1/2" dado cuts. Make sure that the arbor nut (3) is tight, and that at least one thread of the arbor sticks out past the nut.
5. Use only the 6" diameter dado set and keep the width 1/2" or less. It will be necessary to remove the blade guard and splitter when using a dado blade only. Always use caution when operating a dado blade.
6. Use only the correct number of round outside blades and inside chippers as shown in the dado set's instruction manual. Blades/chippers must not exceed 1/2" total in width.
7. Check saw to ensure that the dado will not strike the housing, insert, or motor when in operation.

WARNING For your own safety, always replace the blade, blade guard assembly, and blade insert when you are finished with the dado operation. You must also realign the blade guard assembly.

Fig. DD



MAINTAINING YOUR TABLE SAW

Fig. EE

GENERAL MAINTENANCE

⚠ WARNING

For your own safety, turn the switch OFF and remove the switch key. Remove the plug from the power source outlet before maintaining or lubricating your saw.

1. Clean out all sawdust that has accumulated inside the saw cabinet and the motor.
2. Polish the saw table with an automotive wax to keep it clean and to make it easier to slide the workpiece.
3. Clean cutting blades with pitch and gum remover.
4. A worn, cut, or damaged power cord should be replaced immediately.

⚠ WARNING

All electrical or mechanical repairs should be attempted only by a trained repair technician. Contact the nearest Sears Service Center for service. Use only identical replacement parts. Any other parts may create a hazard.

5. Use liquid dish washing detergent and water to clean all plastic parts.

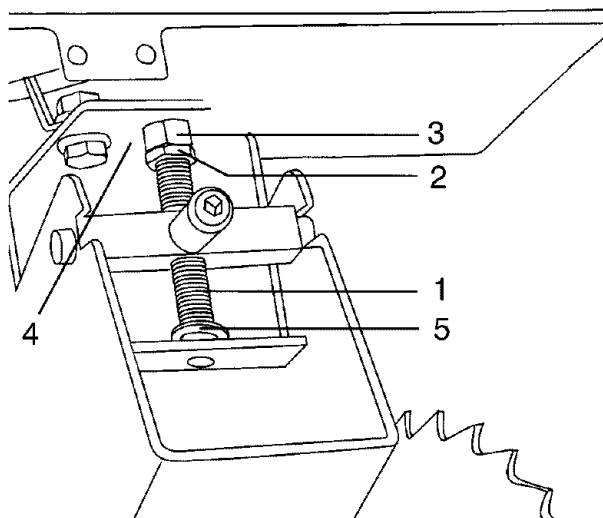
NOTE: Certain cleaning chemicals can damage plastic parts.

6. Avoid use of the following cleaning chemicals or solvents; ammonia and household detergents containing ammonia.

BLADE RAISING AND TILTING MECHANISM (FIG. EE)

After each five full hours of operation, the blade raising mechanism and tilting mechanism should be checked for looseness, binding, or other abnormalities. With the saw disconnected from the power source, turn the saw upside down and alternately pull upward and downward on the motor unit. Observe any movement of the motor mounting mechanism. Looseness or play in the blade raising screw (1) (Fig. EE) should be adjusted as follows:

1. Using a 14mm wrench, loosen the check-nut (2).
2. Adjust nut (3) until it is finger-tight against the bracket (4), then back off the nut (3) 1/6 turn.
3. Tighten nut (2) with the wrench, while holding nut (3) in place. Maximum allowable play in and out of the screw rod (1) is 1/8".



You can place a small amount of dry lubricant on bevel angle adjustment rod also. This rod (1) must be kept clean and free of sawdust, gum, pitch, and other contaminants for smooth operation.

If excessive looseness is observed in any parts of the blade raising mechanism or tilting mechanism, take the complete unit to a Sears Service Center.

LUBRICATION

All motor bearings are permanently lubricated at the factory and require no additional lubrication.

On all mechanical parts of your table saw where a pivot or threaded rod are present, lubricate using graphite or silicone. These dry lubricants will not hold sawdust as would oil or grease.

TROUBLESHOOTING GUIDE

▲ WARNING

To avoid injury from an accidental start, turn the switch OFF and always remove the plug from the power source before making any adjustments.

- Consult your local Sears Service Center if for any reason the motor will not run.

SYMPTOM	POSSIBLE CAUSES	CORRECTIVE ACTION
Saw will not start	<ol style="list-style-type: none"> 1. Saw not plugged in 2. Fuse blown or circuit breaker tripped 3. Cord damaged 	<ol style="list-style-type: none"> 1. Plug in saw 2. Replace fuse or reset circuit breaker 3. Have cord replaced by a Sears Service Center
Does not make accurate 45° and 90° rip cuts	<ol style="list-style-type: none"> 1. Positive stop not adjusted correctly 2. Tilt angle pointer not set accurately 	<ol style="list-style-type: none"> 1. Check blade with square and adjust positive stop 2. Check blade with square and adjust to zero
Material pinched blade when ripping	<ol style="list-style-type: none"> 1. Rip fence not aligned with blade 2. Warped wood, edge against fence is not straight 	<ol style="list-style-type: none"> 1. Check and align rip fence 2. Select another piece of wood
Material binds on splitter	<ol style="list-style-type: none"> 1. Splitter not aligned correctly with blade 	<ol style="list-style-type: none"> 1. Check and align splitter with blade
Saw makes unsatisfactory cuts	<ol style="list-style-type: none"> 1. Dull blade 2. Blade mounted backwards 3. Gum or pitch on blade 4. Incorrect blade for work being done 5. Gum or pitch on blade causing erratic feed 	<ol style="list-style-type: none"> 1. Replace blade 2. Turn the blade around 3. Remove blade and clean with turpentine and coarse steel wool 4. Change the blade 5. Clean table with turpentine and steel wool
Material kicked back from blade	<ol style="list-style-type: none"> 1. Rip fence out of adjustment 2. Splitter not aligned with blade 3. Feeding stock without rip fence 4. Dull blade 5. The operator letting go of material before it is past saw blade 6. Miter angle lock knob is not tight 	<ol style="list-style-type: none"> 1. Align rip fence with miter gauge slot 2. Align splitter with blade 3. Install and use rip fence 4. Replace blade 5. Push material all the way past saw blade before releasing work 6. Tighten knob
Blade does not raise or tilt freely	<ol style="list-style-type: none"> 1. Sawdust and dirt in raising and tilting mechanisms 	<ol style="list-style-type: none"> 1. Brush or blow out loose dust and dirt
Blade does not come up to speed	<ol style="list-style-type: none"> 1. Extension cord too light or too long 2. Low house voltage 	<ol style="list-style-type: none"> 1. Replace with adequate size cord 2. Contact your electric company
Machine vibrates excessively	<ol style="list-style-type: none"> 1. Saw not mounted securely to workbench 2. Bench on uneven floor 3. Damaged saw blade 	<ol style="list-style-type: none"> 1. Tighten all mounting hardware 2. Reposition on flat level surface Fasten to floor if necessary 3. Replace blade
Does not make accurate 45° and 90° cross cuts	<ol style="list-style-type: none"> 1. Miter gauge out of adjustment 	<ol style="list-style-type: none"> 1. Adjust miter gauge

PARTS LIST

10" JOB SITE TABLE SAW

Model : 137.218240



When servicing use only CRAFTSMAN replacement parts. Use of any other parts may create a HAZARD or cause product damage.

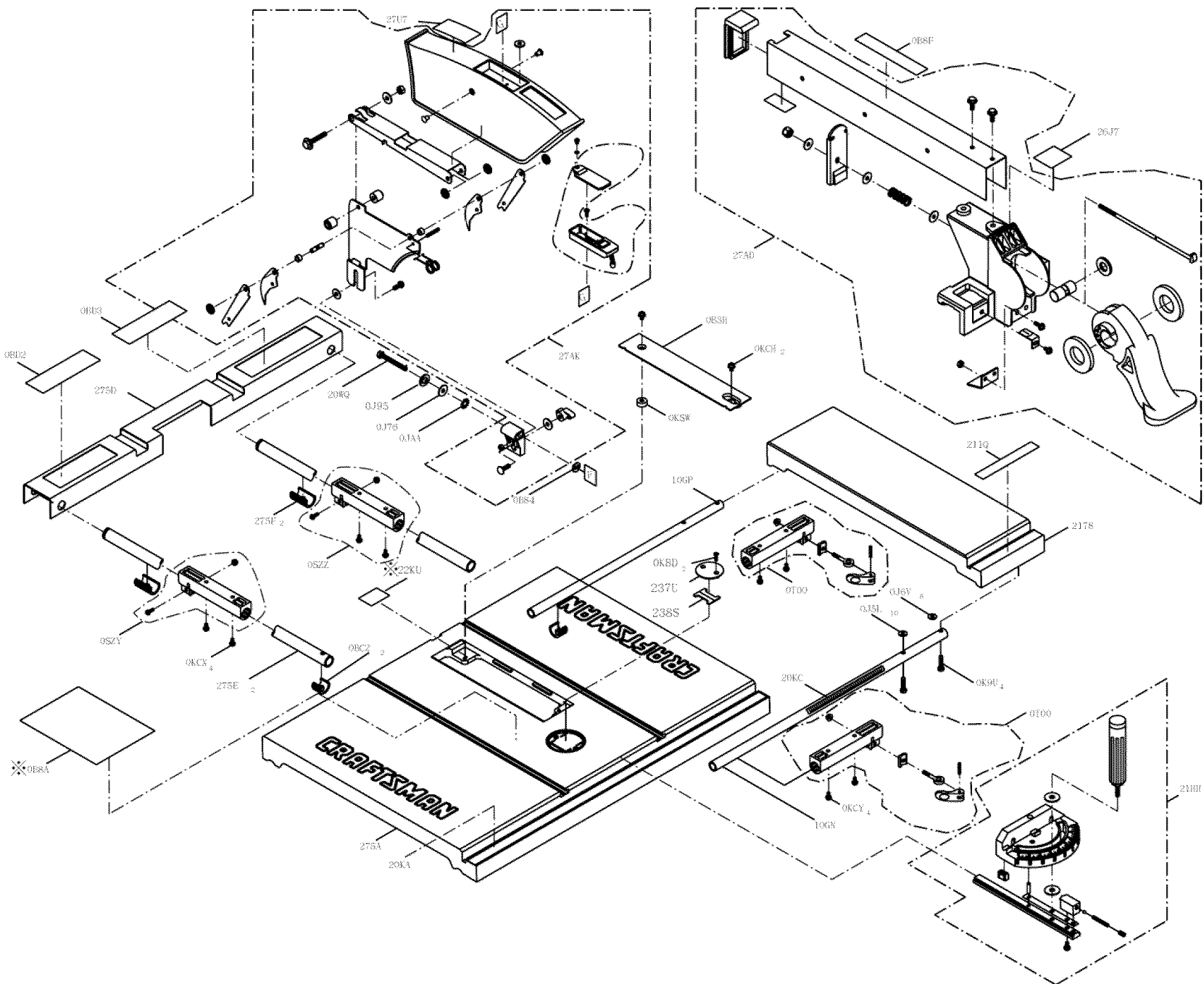


Any attempt to repair or replace electrical parts on this Table Saw may create a HAZARD unless repair is done by a qualified service technician. Repair service is available at your nearest Sears Service Center.

PARTS LIST FOR Schematic A

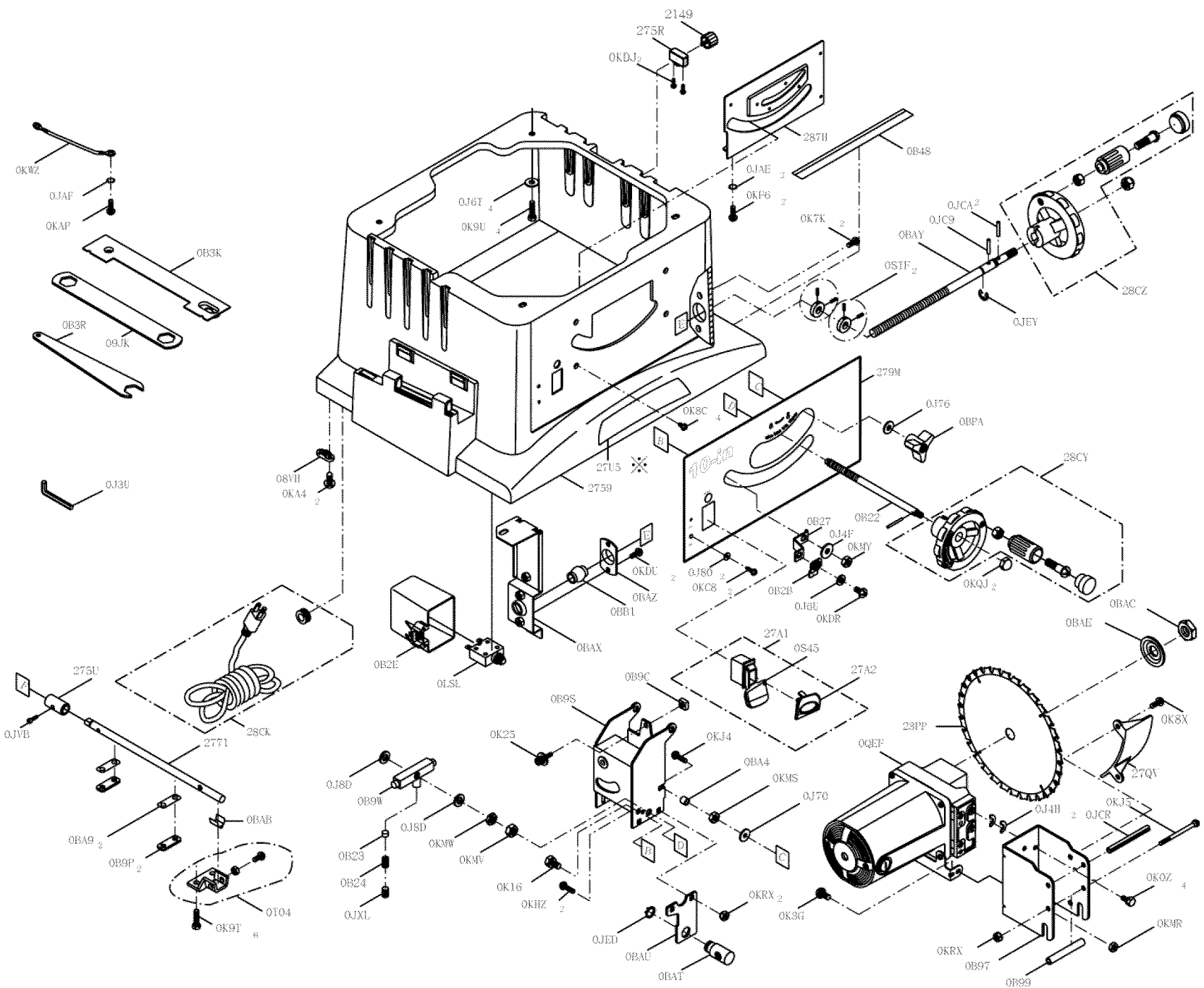
I.D.	Description	Size	Qty
2178	EXTENTION WING (RIGHT)		1
0B3H	INSERT		1
0B84	WASHER		1
0B8A	WARNING STICK LABEL		1
0B8F	CAUTION LABEL		1
0BC2	LOCATION SEAT		2
0BD2	WARNING LABEL		1
0BD3	WARNING LABEL		1
0J5L	FLAT WASHER	φ5x10-0.3	10
0J6V	FLAT WASHER	3/16x3/8-0.022	8
0J76	FLAT WASHER	1/4x3/4-1/16	1
0J95	SPRING WASHER	φ6	1
0JAA	WASHER	φ8	1
0K8D	CR. RE.COUNT HD. TAPPING SCREW	M4x18-16	2
0K9U	HEX. HD. TAPPING SCREW	M5x16-25	4
0KCH	CR.RE. PAN HEAD TAPPING & WASHER SCREW	M5x0.8-12	2
0KCX	CR. RE. PAN HD PLAIN WASHER TAPPING SCREW	M5x0.8-10	4
0KCY	CR. RE. PAN HD PLAIN WASHER TAPPING SCREW	M5x0.8-12	4
0KSW	STRAIN RELIEF	φ6.1	1
0SZY	SLIDING BASE ASS'Y		1
0SZZ	SLIDING BASE ASS'Y		1
0T00	SLIDING BASE ASS'Y		2
10GN	UPPER TUBE		1
10GP	UPPER TUBE		1
20KA	SCALE		1
20KC	SCALE		1
20WQ	HEX. HD. BOLT	M6x1.0-50	1
211Q	SCALE		1
21HH	MITER GAUGE ASS'Y		1
22KU	WARNING LABEL		1
237U	COVER		1
238S	POINTER		1
26J7	TRADE-MARK LABEL		1
275A	TABLE		1
275D	EXTENSION WING		1
275E	UPPER TUBE		2
275F	LOCATION SEAT		2
27AD	RIP FENCE ASS'Y		1
27AK	BLADE GUARD ASS'Y		1
27U7	WARNING LABEL		1

Schematic A



PARTS LIST FOR Schematic B

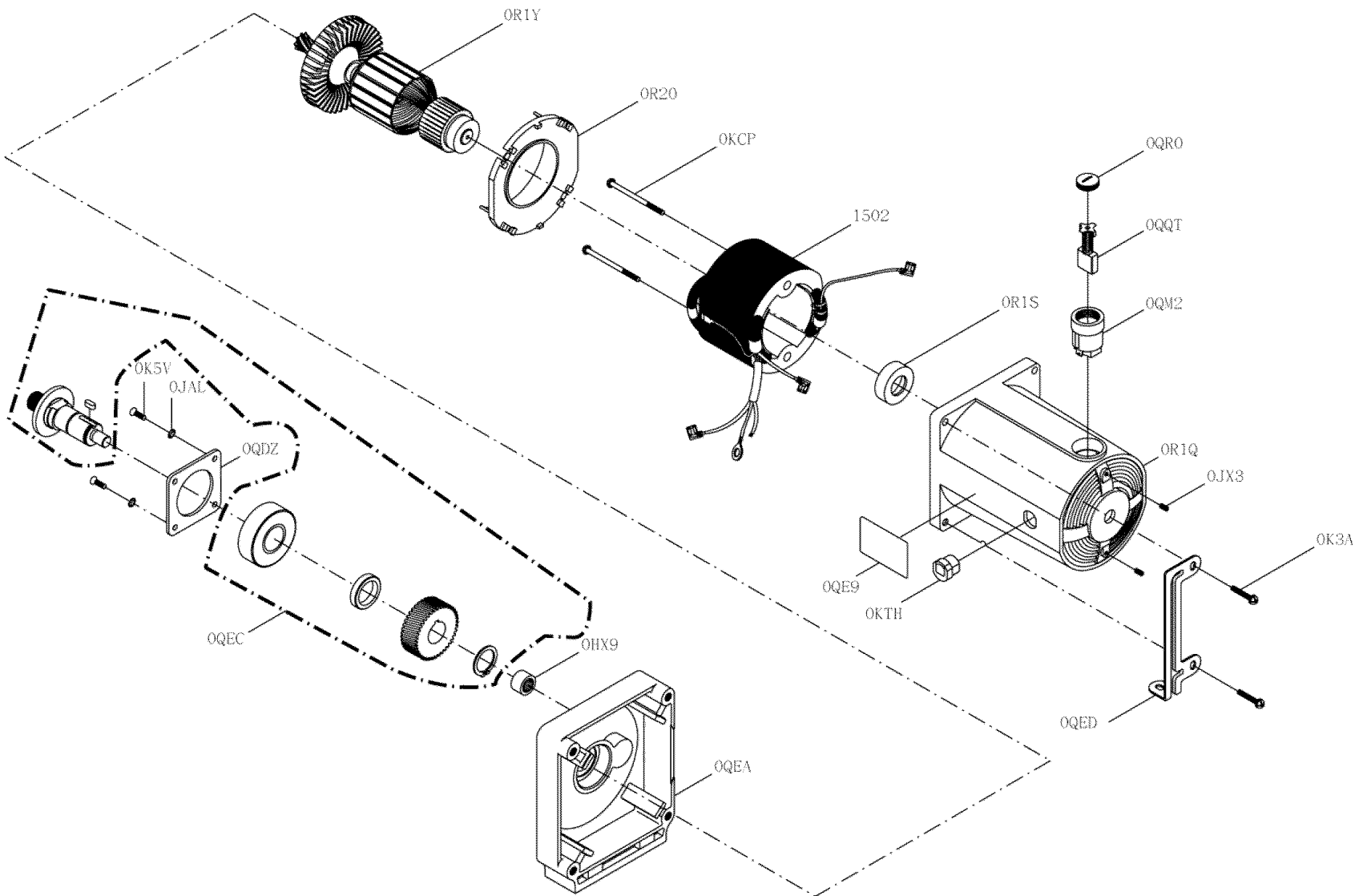
I.D.	Description	Size	Qty	I.D.	Description	Size	Qty
2149	KNOB		1	0JVB	HEX. SOC. HD. CAP BOLT	M5x0.8-16	1
2759	BODY SHELL		1	0JXL	HEX. SOC. SET SCREW	M10x1.5-12	1
2771	ANGLE ROD		1	0K0Z	HEX. HD. SCREW AND WASHER	M8x1.25-16	4
08VH	CLAMP-CORD		1	0K16	HEX. HD. SCREW AND WASHER	M8x1.25-16	1
09JK	WRENCH HEX.		1	0K25	HEX.SOCKET HD.CAP SCREWS	M5x0.8-20	1
0B22	HEIGHT REGULATING BOLT		1	0K3G	CR.RE. PAN HD. SCREW & WASHER	M5x0.8-12	1
0B23	SADDLE		1	0K7K	CR. RE. ROUND WASHER HD. SCREW	M6x1.0-12	2
0B24	SPRING		1	0K8C	CR. RE.COUNT HD. TAPPING SCREW	M4x18-10	4
0B27	POINTER BRACKET		1	0K8X	CR. RE. TRUSS HD. TAPPING SCREW	M5x12-12	2
0B2B	NEEDLE POINTER		1	0K9T	HEX. HD. TAPPING SCREW	M5x16-16	6
0B2E	SWITCH BOX		1	0K9U	HEX. HD. TAPPING SCREW	M5x16-25	4
0B3K	INSERT		1	0KA4	CR.RE. PAN HD. TAPPING SCREW	M4x16-16	2
0B3R	WRENCH		1	0KAP	CR.RE. PAN HD. TAPPING SCREW	M5x0.8-10	1
0B48	WARNING LABEL		1	0KC8	CR. RE. TRUSS HD. TAPPING SCREW	M4x16-16	2
0B97	MOTOR BRACKET		1	0KDJ	CR. RE. PAN HD. SCREW	M5x0.8-12	2
0B99	SPACER		1	0KDR	CR. RE. PAN HD. SCREW	M5x0.8-10	1
0B9C	PLUNGER HOUSING		1	0KDU	CR. RE. PAN HD. SCREW	M6x1.0-12	2
0B9P	CLAMP		2	0KF6	CR. RE. PAN HD. SCREW	M4x0.7-8	2
0B9S	BRACKET		1	0KHZ	CAP HD. SQ.NECK BOLT	M6x1.0-12	2
0B9W	BRACKET		1	0KJ4	CAP HD. SQ.NECK BOLT	M6x1.0-35	1
0BA4	SPACER		1	0KJ5	CAP HD. SQ.NECK BOLT	M6X1.0-80	1
0BA9	SPACER		2	0KMR	HEX. NUT	M5x0.8 T=4	1
0BAB	SHIM		1	0KMS	HEX. NUT	M6x1.0 T=5	1
0BAC	SET NUT		1	0KMV	HEX. NUT	M10x1.5 T=8	1
0BAE	ARBOR COLLAR		1	0KMW	HEX. NUT	M10x1.5 T=4	1
0BAT	NUT		1	0KMY	HEX. NUT	M8x1.25 , T=6.5	1
0BAU	SUPPORTING PLATE		1	0KQJ	CROWN NUT	M8x1.25 T=12.5	2
0BAX	STIFFENER		1	0KRX	HEXAGON NUT AND FLAT WASHER	M6x1.0	2
0BAY	SCREW BAR		1	0KRX	HEXAGON NUT AND FLAT WASHER	M6x1.0	1
0BAZ	BEARING SEAT		1	0KWZ	LEAD WIRE ASS'Y		1
0BB1	SHAFT		1	0LSL	CIRCUIT BREAKER SWITCH		1
0BPA	LOCK KNOB		1	0QEF	MOTOR		1
0J3U	WRENCH HEX.	3-90	1	0S45	ROCKER SWITCH ELEMENT		1
0J4F	FLAT WASHER	φ8X16-2.5	1	0STF	PARALLEL RING ASS'Y		2
0J4H	FLAT WASHER	φ10x30-0.2	2	0T04	CLAMP ASS'Y		1
0J6T	FLAT WASHER	3/16x3/4-1/16	4	232Z	STICKER ASS'Y		1
0J6U	FLAT WASHER	3/16x1/2-3/64	1	23PP	BLADE		1
0J70	FLAT WASHER	1/4x3/4-7/64	1	275R	LOCATION SEAT		1
0J76	FLAT WASHER	1/4x3/4-1/16	1	275U	SPACER		1
0J80	FLAT WASHER	5/32x13/32-3/64	2	279M	LABEL		1
0J8D	FLAT WASHER	3/8x3/4-5/64	1	27A1	ROCKER SWITCH		1
0J8D	FLAT WASHER	3/8x3/4-5/64	1	27A2	SWITCH KEY		1
0JAE	EXTERNAL TOOTH LOCK WASHER	φ4	2	27QV	DEFLECTOR		1
0JAF	EXTERNAL TOOTH LOCK WASHER	φ5	1	27U5	LABEL		1
0JC9	SPRING PIN	3-18	1	287H	RETAINING CLIP		1
0JCA	SPRING PIN	3-24	1	28CK	POWER CABLE		1
0JCA	SPRING PIN	3-24	1	28CY	HAND WHEEL ASS'Y		1
0JCR	SPRING PIN	8-90	1	28CZ	HAND WHEEL ASS'Y		1
0JED	C-RING	A-16	1				
0JEY	E-RING	E-9	1	287A	INSTRUCTION MANUAL		1



Part list for MOTOR

I.D. No.	Description	Size	Qty
1502	FIELD ASS'Y		1
0HX9	NEEDLE BEARING	HK-1010	1
0JAL	EXT.TOOTH LOCK WASHER	φ4	4
0JX3	HEX. SOC. SET SCREW	M5x0.8-8	2
0K3A	CR.RE. PAN HD. SCREW & WASHER	M5x0.8-30	4
0K5V	CR.-RE. COUND.HD.SCREW	M4x0.7-8	4
0KCP	CR.RE. PAN HEAD TAPPING & WASHER SCREW	M5x1 2-60	2
0KTH	STRAIN RELIEF		1
0QDZ	BEARING RETAINER		1
0QE9	MOTOR NAMEPLATE		1
0QEA	BRACKET		1
0QEC	ARBOR SHAFT ASS'Y		1
0QED	SUPPORT PLATE		1
0QM2	BRUSH HOLDER ASS'Y		2
0QQT	BRUSH ASS'Y		2
0QR0	BRUSH COVER		2
0R1Q	MOTOR HOUSING	#6 color	1
0R1S	BEARING BUSHING		1
0R1Y	ARMATURE ASS'Y		1
0R20	BAFFLE	#6 color	1

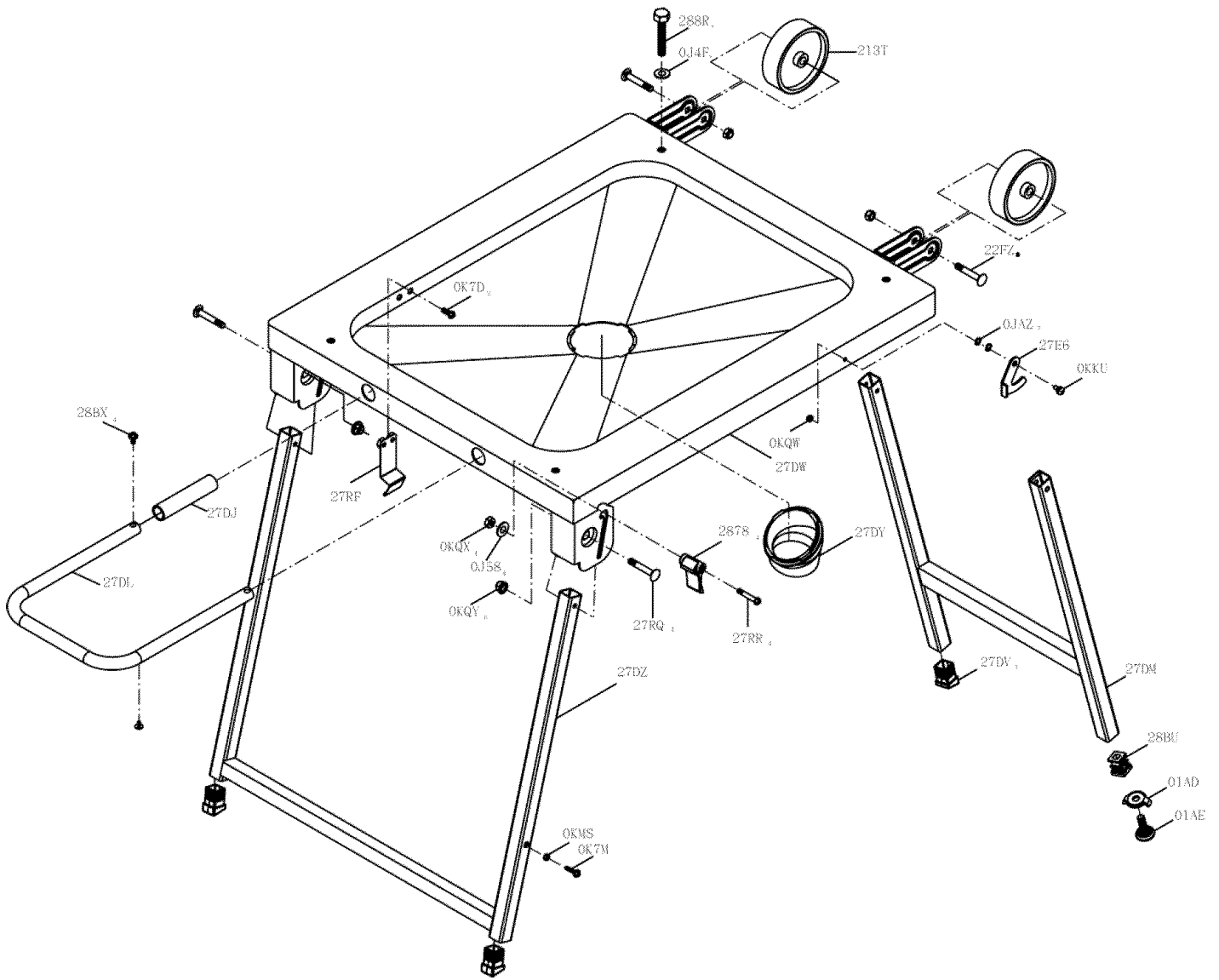
MOTOR



Part list for STAND

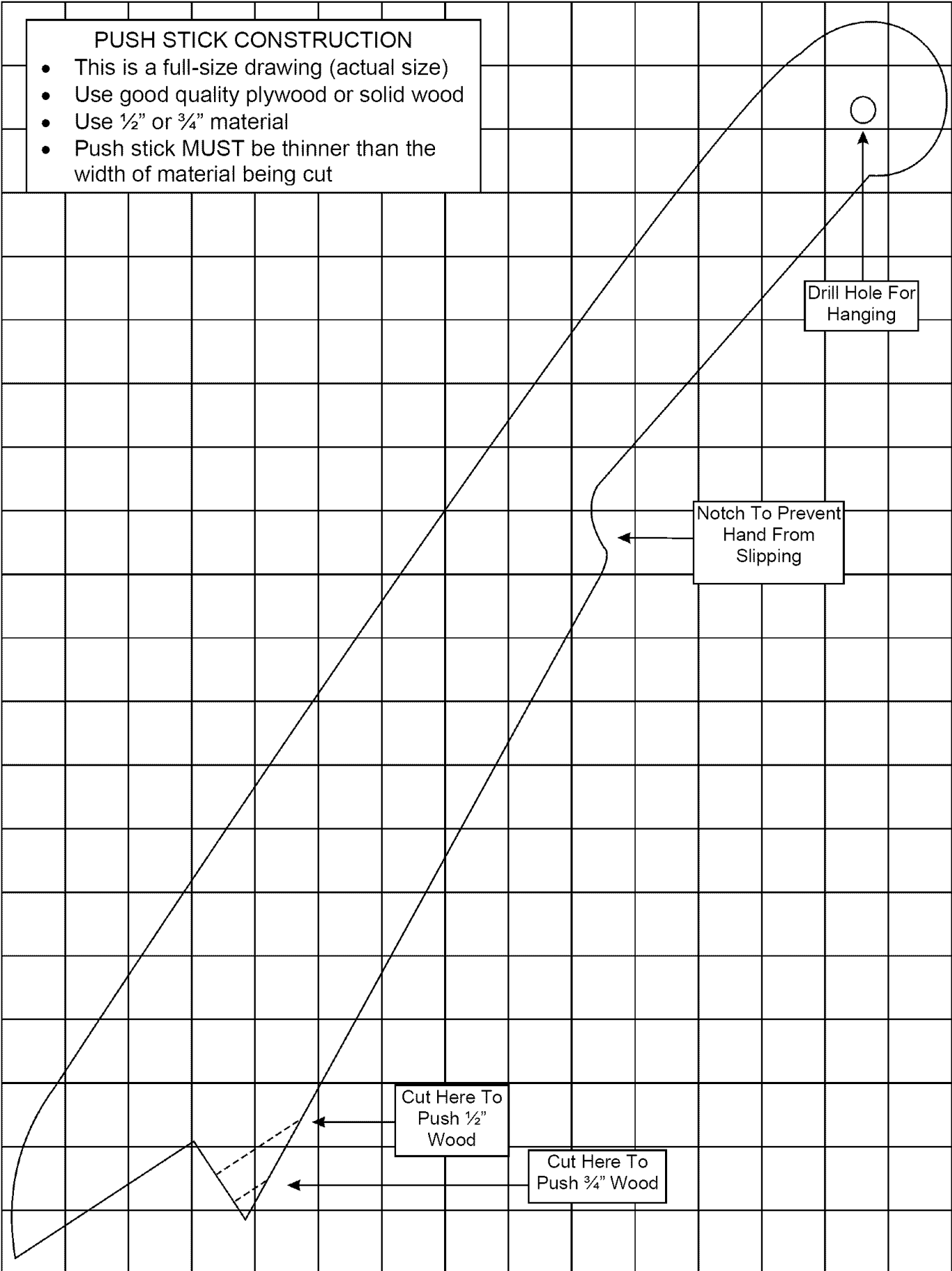
I.D.	Description	Size	Qty
2878	CLAMP HANDLE		4
01AD	WING NUT		1
01AE	LEVELING PAD		1
0J4F	FLAT WASHER	φ8X16-2.5	4
0J58	FLAT WASHER	φ5X14-1	4
0JAZ	WAVE WASHER	WW-6	2
0K7D	CR. RE. ROUND WASHER HD. SCREW	M6X1.0-10	2
0K7M	CR. RE. ROUND WASHER HD. SCREW	M6X1.0-18	1
0KKU	CR.RE. PAN HD. ROUND NECK SCREW	M5X08-10	1
0KMS	HEX. NUT	M6X1.0 T=5	1
0KQW	LOCK NUT	M5X0.8 T=5	1
0KQX	LOCK NUT	M6X1.0 T=6	4
0KQY	LOCK NUT	M8X1.25 T=8	6
213T	ROLLER WHEEL		2
22FZ	CAP HD. SQ.NECK BOLT	M8X1.25-45	2
27DJ	PAD		1
27DL	HANDLE		1
27DM	BRACKET ASS'Y (RIGHT)		1
27DV	FOOT PAD		3
27DW	DUST COLLECTION ELBOW		1
27DY	COUPLING		1
27DZ	BRACKET ASS'Y (LEFT)		1
27E6	HOOK		1
27RF	FOLLOWER PLATE		1
27RQ	CAP HD. SQ.NECK BOLT	M8X1.25-40	4
27RR	CR.-RE. TRUSS HD. SCREW	M6X1.0-45	4
288R	HEX. HD. BOLT	M8X1.25-55	4
28BU	CAP		1
28BX	CR. RE. PAN HD PLAIN WASHER TAPPING SCREW	M5X0.8-10	4

STAND



PUSH STICK CONSTRUCTION

- This is a full-size drawing (actual size)
- Use good quality plywood or solid wood
- Use $\frac{1}{2}$ " or $\frac{3}{4}$ " material
- Push stick MUST be thinner than the width of material being cut



Free Manuals Download Website

<http://myh66.com>

<http://usermanuals.us>

<http://www.somanuals.com>

<http://www.4manuals.cc>

<http://www.manual-lib.com>

<http://www.404manual.com>

<http://www.luxmanual.com>

<http://aubethermostatmanual.com>

Golf course search by state

<http://golfingnear.com>

Email search by domain

<http://emailbydomain.com>

Auto manuals search

<http://auto.somanuals.com>

TV manuals search

<http://tv.somanuals.com>