

# Operator's Manual

# CRAFTSMAN®

3.0 HP (Max. Developed)

10" Inch Blade

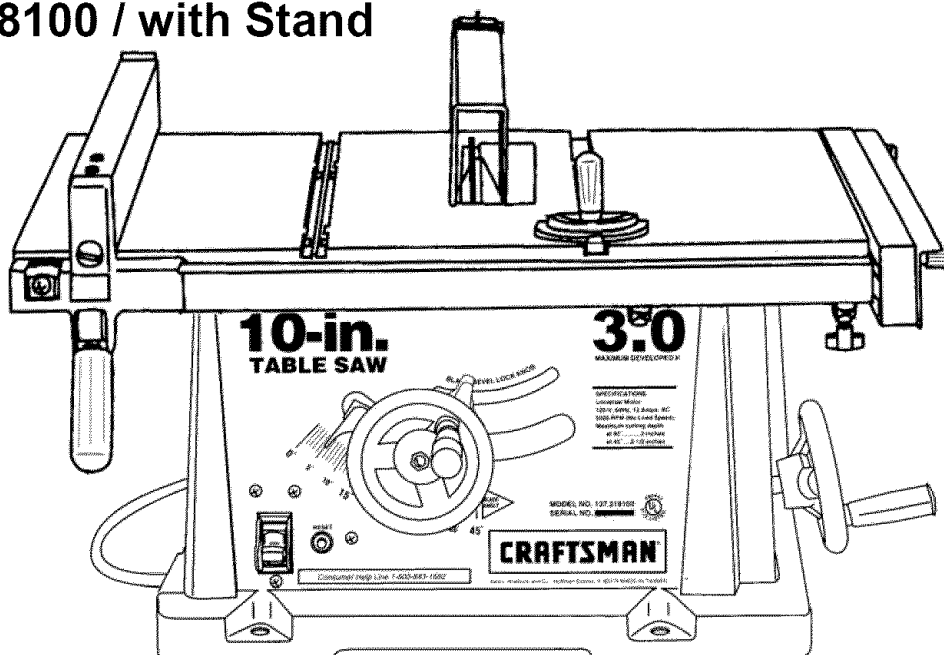
5000 R.P.M.

## TABLE SAW

Model No.

137.218100

137.248100 / with Stand



### CAUTION:

Before using this Table Saw, read this manual and follow all its Safety Rules and Operating Instructions

- Safety Instructions
- Installation
- Operation
- Maintenance
- Parts List
- Español

**Customer Help Line**  
**1-800-843-1682**

Sears, Roebuck and Co., Hoffman Estates, IL 60179 USA

Visit our Craftsman website: [www.sears.com/craftsman](http://www.sears.com/craftsman)

Part No. 13721810001

# TABLE OF CONTENTS

SECTION	PAGE	SECTION	PAGE
Warranty .....	2	Know Your Table Saw.....	8
Product Specifications .....	2	Assembly and Adjustments.....	9
Power Tool Safety .....	3	Operation.....	15
Table Saw Safety.....	4	Maintenance .....	19
Electrical Requirements and Safety.....	5	Troubleshooting Guide.....	20
Accessories and Attachments.....	6	Push Stick Plan .....	21
Tools Needed For Assembly.....	6	Parts List.....	22
Carton Contents .....	6		

## WARRANTY

### FULL ONE YEAR WARRANTY

If this Table Saw fails due to a defect in material or workmanship within one year of date of purchase, Sears will at its option repair or replace it free of charge.

Return this Table Saw to a Sears Service Center for repair, or to place of purchase for replacement.

This warranty gives you specific legal rights, and you may also have other rights which may vary from state to state.

Sears, Roebuck and Co., Dept. 817 WA, Hoffman Estates, IL 60179

### WARNING

Some dust created by power sanding, sawing, grinding, drilling and other construction activities contains chemicals known to the state of California to cause cancer, birth defects or other reproductive harm. Some examples of these chemicals are:

- Lead from lead-based paints
- Crystalline silica from bricks, cement and other masonry products
- Arsenic and chromium from chemically treated lumber

Your risk from these exposures varies, depending on how often you do this type of work. To reduce your exposure to these chemicals, work in a well-ventilated area and work with approved safety equipment such as dust masks that are specially designed to filter out microscopic particles.

## PRODUCT SPECIFICATIONS

### MOTOR

HP(Maximum developed).....	3.0
Type .....	Universal
Amps .....	15
Voltage .....	120
Hz .....	60
RPM (no load).....	5000
Overload Protection.....	YES

### SAW

Table Size.....	26-7/64" x 19-3/32"
Table Extensions.....	Yes, with fences
Extension Fence Capacity...	24" Right
Blade Size.....	10"
Rip Scale .....	YES
Rip Fence .....	YES
Miter Gauge.....	YES
Maximum Cut Depth @ 90°..	3"
Maximum Cut Depth @ 45°..	2-1/2"
Maximum Dado Cut Width...	1/2"
Net Weight, 21810 .....	44 LBS
Net Weight, 24810 .....	51 LBS

### WARNING

To avoid electrical hazards, fire hazards or damage to the table saw, use proper circuit protection.

This table saw is wired at the factory for 110-120 Volt operation. It must be connected to a 110-120 Volt / 15 Ampere time delay fuse or circuit breaker. To avoid shock or fire, replace power cord immediately if it is worn, cut or damaged in any way.

Before using your table saw, it is critical that you read and understand these safety rules. Failure to follow these rules could result in serious injury to you or damage to the table saw.

# POWER TOOL SAFETY

## **WARNING**

Before using your table saw, it is critical that you read and understand these safety rules. Failure to follow these rules could result in serious injury or damage to the table saw.

Good safety practices are a combination of common sense, staying alert and understanding how to use your power tool. To avoid mistakes that could cause serious injury, do not plug in your power tool until you have read and understood the following safety rules:

1. **READ** and become familiar with this entire Operator's Manual. **LEARN** the tool's applications, limitations and possible hazards.

## **WARNING**

2. Look for this symbol that identifies important safety precautions. It means **CAUTION! BECOME ALERT! YOUR SAFETY IS INVOLVED!**
3. **NEVER OPERATE THIS MACHINE WITHOUT THE SAFETY GUARD IN PLACE FOR ALL THROUGH-SAWING OPERATIONS.**
4. **DO NOT USE IN A DANGEROUS ENVIRONMENT** such as damp or wet locations or exposure to rain. Keep work area well lighted.
5. **DO NOT** use power tools in the presence of flammable liquids or gases.
6. **KEEP WORK AREA CLEAN.** Cluttered areas and benches invite accidents.
7. **KEEP CHILDREN AWAY.** All visitors should be kept at a safe distance from the work area.
8. **DO NOT FORCE THE TOOL.** It will do the job better and safer at the rate for which it was designed.
9. **USE THE RIGHT TOOL.** Don't force the tool or attachment to do a job for which it is not designed.
10. **WEAR PROPER APPAREL. DO NOT** wear loose clothing, gloves, neckties, rings, bracelets or other jewelry which may get caught in moving parts. Non-slip footwear is recommended. Wear protective hair covering to contain long hair.
11. **WEAR A FACE MASK OR DUST MASK.** Sawing, cutting and sanding operations produce dust.
12. **DISCONNECT TOOLS** before servicing and when changing accessories such as blades, cutters, etc.
13. **REDUCE THE RISK OF UNINTENTIONAL STARTING.** Make sure the switch is in the OFF position before plugging into the power supply.
14. **USE ONLY RECOMMENDED ACCESSORIES.** Consult the Operator's Manual for recommended accessories. The use of improper accessories may cause injury to you or damage to the tool.
15. **REMOVE ADJUSTING KEYS AND WRENCHES.** Form the habit of checking to see that keys and adjusting wrenches are removed from the tool before turning ON.
16. **NEVER LEAVE TOOL RUNNING UNATTENDED. TURN THE POWER "OFF".** Do not leave the tool before it comes to a complete stop.
17. **NEVER STAND ON TOOL.** Serious injury could occur if the tool is tipped or if the cutting tool is unintentionally contacted.
18. **DO NOT OVERREACH.** Keep proper footing and balance at all times.
19. **MAINTAIN TOOLS WITH CARE.** Keep tools sharp and clean for most efficient and safest performance. Follow instructions for lubricating and changing accessories.
20. **CHECK FOR DAMAGED PARTS.** Before further use of the tool, a guard or other part that is damaged should be carefully checked to ensure it will operate properly and perform its intended function. Check for alignment of moving parts, binding of moving parts, mounting and any other conditions that may affect its safe operation. A guard or other part that is damaged should be properly repaired or replaced.
21. **MAKE WORKSHOP CHILD PROOF** with padlocks, master switches or by removing starter keys.
22. **DO NOT** operate the tool if you are under the influence of any drugs, alcohol or medication that could impair your ability to use the tool safely.
23. **USE DUST COLLECTION SYSTEM** wherever possible. Dust generated from certain materials can be hazardous to your health and in some cases, a fire hazard. Always operate the power tool in a well-ventilated area with adequate dust removal.
24. **ALWAYS WEAR EYE PROTECTION.** Any power tool can throw foreign objects into your eyes which could cause permanent eye damage. **ALWAYS** wear safety goggles (not glasses) that comply with ANSI safety standard Z87.1. Everyday glasses have only impact resistant lenses. They **ARE NOT** safety glasses.  
**NOTE:** Glasses or goggles not in compliance with ANSI Z87.1 could cause serious injury when they break.
25. **DIRECTION OF FEED.** Feed work into a blade or cutter against the direction of rotation of the blade or cutter only.

# TABLE SAW SAFETY

1. **ALWAYS USE SAW BLADE GUARD**, splitter and anti-kickback pawls for every operation for which they can be used, including through-sawing. Through-sawing operations are those in which the blade cuts completely through the workpiece when ripping or cross-cutting.
2. **ALWAYS HOLD WORK FIRMLY** against the miter gauge or rip fence.
3. **USE A PUSH STICK** when required. Always use a push stick when ripping narrow stock. Refer to ripping instructions in this Operator's Manual where the push stick is covered in detail. A pattern for making your own push stick is included on page 27.
4. **NEVER PERFORM ANY OPERATION "FREE HAND"**, which means using only your hands to support or guide the workpiece. Always use either the fence or the miter gauge to position and guide the work.  
  
**WARNING: FREEHAND CUTTING IS THE MAJOR CAUSE OF KICK-BACK & FINGER/HAND AMPUTATIONS.**
5. **NEVER STAND** or have any part of your body in line with the path of the saw blade. Keep your hands out of the saw blade path.
6. **NEVER REACH** behind or over the cutting tool for any reason.
7. **REMOVE** the rip fence when cross cutting.
8. **DO NOT USE** a molding head with this saw.
9. **FEED WORK INTO THE BLADE** against the direction of rotation only.
10. **NEVER** use the rip fence as a cut-off gauge when cross-cutting.
11. **NEVER ATTEMPT TO FREE A STALLED SAW BLADE** without first turning the saw OFF. Turn power switch OFF immediately to prevent motor damage.
12. **PROVIDE ADEQUATE SUPPORT** to the rear and the sides of the saw table for long or wide workpieces.
13. **AVOID KICKBACKS** (work thrown back towards you) by keeping the blade sharp, the rip fence parallel to the saw blade and by keeping the splitter, anti-kickback pawls and guards in place and functioning. Do not release work before it has passed all the way past the saw blade. Do not rip work that is twisted, warped or does not have a straight edge to guide it along the fence.
14. **AVOID AWKWARD OPERATIONS** and hand positions where a sudden slip could cause your hand to move into the saw blade.
15. **NEVER USE SOLVENTS** to clean plastic parts. Solvents could possibly dissolve or otherwise damage the material. Only a soft damp cloth should be used to clean plastic parts.
16. **MOUNT** your table saw on a bench or stand before performing any cutting operations. Refer to ASSEMBLY AND ADJUSTMENTS on page 9.
17. **NEVER CUT METALS** or materials which may make hazardous dust.
18. **ALWAYS USE IN WELL-VENTILATED AREA.** Remove sawdust frequently. Clean out sawdust from the interior of the saw to prevent a potential fire hazard. Attach a vacuum to the dust port for additional sawdust removal.
19. **NEVER LEAVE THE SAW** running unattended. Do not leave the saw until it comes to a complete stop.
20. **FOR** proper operation follow the instructions in this Operator's Manual entitled ASSEMBLY AND ADJUSTMENTS (Page 9). Failure to provide sawdust fall-through and removal hole will allow sawdust to build up in the motor area resulting in a fire hazard and potential motor damage.

# ELECTRICAL REQUIREMENTS AND SAFETY

## POWER SUPPLY REQUIREMENTS

### **⚠ WARNING**

To avoid electrical hazards, fire hazards or damage to the table saw, use proper circuit protection. Always use a separate electrical circuit for your tools. This power tool is wired at the factory for 120V operation. Connect it to a 120V, 15 Amp circuit and use a 15 Amp time delay fuse or circuit breaker. To avoid shock or fire, replace the cord immediately if it is worn, cut or damaged in any way.

## EXTENSION CORD REQUIREMENTS

### **⚠ WARNING**

Any extension cord must be **GROUND**ED for safe operation.

MINIMUM GAUGE FOR EXTENSION CORDS (AWG type / 120 Volt only)					
Ampere Rating		Total length in feet			
More Than	Not More Than	25'	50'	100'	150'
0	6	18	16	16	14
6	10	18	16	14	12
10	12	16	16	14	12
12	16	14	12	Not Applicable	

## GUIDELINES FOR EXTENSION CORDS

Any extension cord used for power tools **MUST** be grounded (3 wire with two flat prongs and one round ground prong).

Make sure the extension cord is in good condition. When using an extension cord, make sure you use one heavy enough to carry the current the tool will draw. An undersized cord will cause a drop in line voltage resulting in loss of power and overheating. The table above shows the correct size to use according to extension cord length and nameplate ampere rating. If in doubt, use the next heavier gauge cord. The smaller the gauge number the heavier the cord.

**NOTE: THE 12 TO 16 AMP RATING IS CORRECT FOR THIS TOOL. IT IS HIGHLIGHTED IN THE TABLE ABOVE.**

Be sure your extension cord is properly wired and in good condition. Always replace a damaged extension cord or have it repaired by a qualified person before using it. Protect your extension cords from sharp objects, excessive heat and damp or wet areas.

Before connecting the saw to the extension cord, make sure the saw switch is turned OFF.

## GROUNDING INSTRUCTIONS

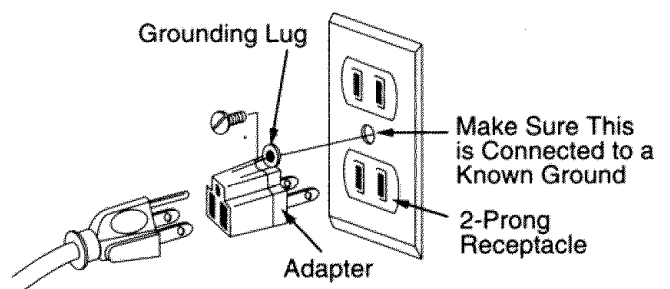
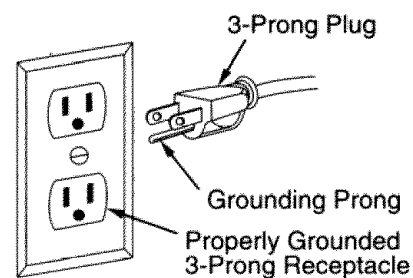
IN THE EVENT OF A MALFUNCTION OR BREAKDOWN, grounding provides a path of least resistance for electric current and reduces the risk of electric shock. This saw is equipped with an electric cord that has an equipment grounding conductor and a grounding plug. The plug **MUST** be plugged into a matching receptacle that is properly installed and grounded in accordance with ALL local codes and ordinances.

**DO NOT MODIFY THE PLUG PROVIDED.** If it will not fit the receptacle, have the proper receptacle installed by a qualified electrician.

**IMPROPER CONNECTION** of the equipment grounding conductor can result in risk of electric shock. The conductor (wire) with the green insulation (with or without yellow stripes) is the equipment grounding conductor. If repair or replacement of the electric cord or plug is necessary, **DO NOT** connect the equipment grounding conductor to a live terminal.

**CHECK** with a qualified electrician or service personnel if you do not completely understand the grounding instructions, or if you are not sure the saw is properly grounded.

**USE ONLY 3-WIRE EXTENSION CORDS THAT HAVE 3-PRONG GROUNDING PLUGS AND 3-POLE GROUNDING RECEPTACLES THAT ACCEPT THE SAW'S PLUG. REPAIR OR REPLACE DAMAGED OR WORN CORDS IMMEDIATELY.**



## ACCESSORIES AND ATTACHMENTS

### RECOMMENDED ACCESSORIES

#### ⚠ WARNING

Visit your Sears Hardware Department or see the Craftsman Power and Hand Tools Catalog to purchase recommended accessories for this power tool.

#### ⚠ WARNING

To avoid the risk of personal injury:

- Do not use adjustable (wobble) type dados or carbide tipped dado blades, maximum dado width is 1/2".
- Do not use a dado with a diameter larger than 6".
- Do not use molding head set with this saw.
- Do not modify this power tool or use accessories not recommended by Sears.

## TOOLS NEEDED FOR ASSEMBLY

### TOOLS NEEDED



Medium screwdriver



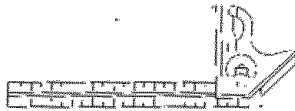
#2 Phillips screwdriver



Straight edge



Adjustable wrench



Combination square

## CARTON CONTENTS

### UNPACKING AND CHECKING CONTENTS

Separate all parts from packing materials. Check each part with the illustration on the next page and the "Table of Loose Parts" to make certain all items are accounted for, before discarding any packing material.

#### ⚠ WARNING

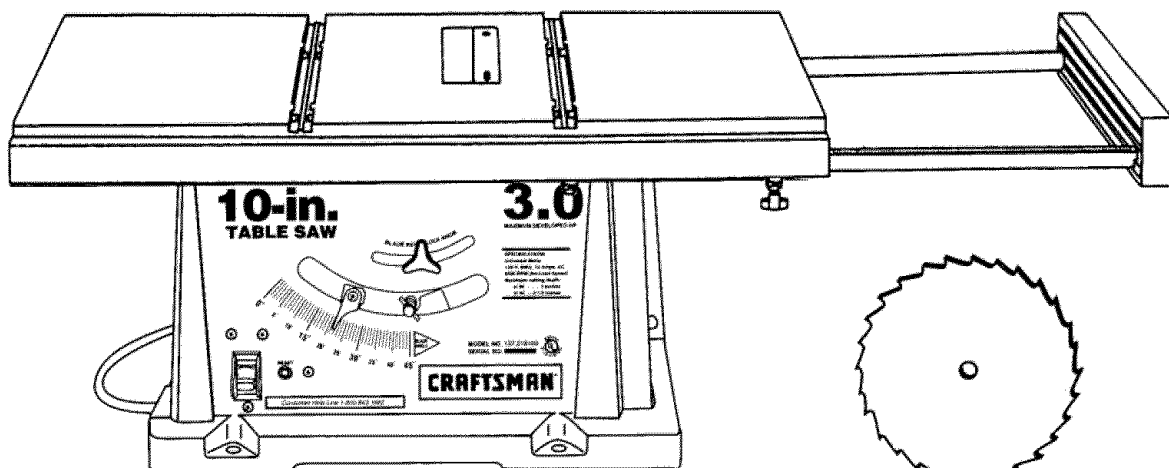
If any part is missing or damaged, do not attempt to assemble the table saw, plug in the power cord, or turn the switch ON until the missing or damaged part is obtained and is installed correctly.

### TABLE OF LOOSE PARTS

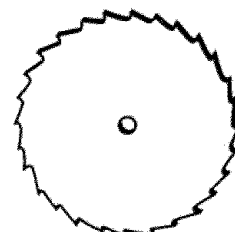
<u>ITEM</u>	<u>DESCRIPTION</u>	<u>QUANTITY</u>
A.	Table saw assembly	1
B.	Blade guard and splitter	1
C.	Bolt, flat washer, toothed washer, Oval washer, spring washer	1 each
D.	Rip fence handle & nut	1
E.	Hand wheels	2
F.	Dome nuts	2
G.	Hand wheel handle	2
H.	Dado table insert	1
I.	Miter gauge	1
J.	Hex keys	2
K.	Blade wrenches	2
L.	Table extension fence	1
M.	Locking Knobs	2
N.	Blade	1

**NOTE:** To make assembly easier, keep contents of box together. Apply a coat of automobile wax to the table. Wipe all parts thoroughly with a clean dry cloth. This will reduce friction when pushing the workpiece.

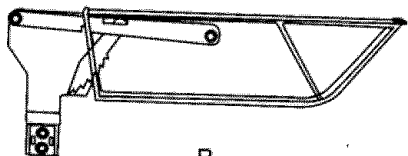
# UNPACKING YOUR TABLE SAW:



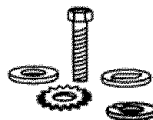
A



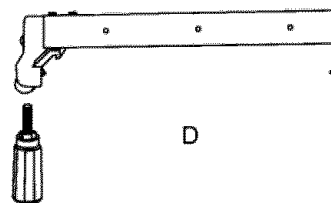
N



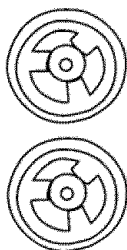
B



C



D



E



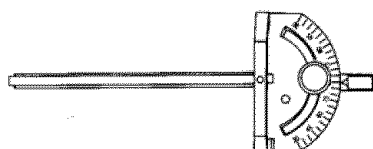
F



G



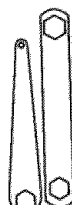
H



I



J



K

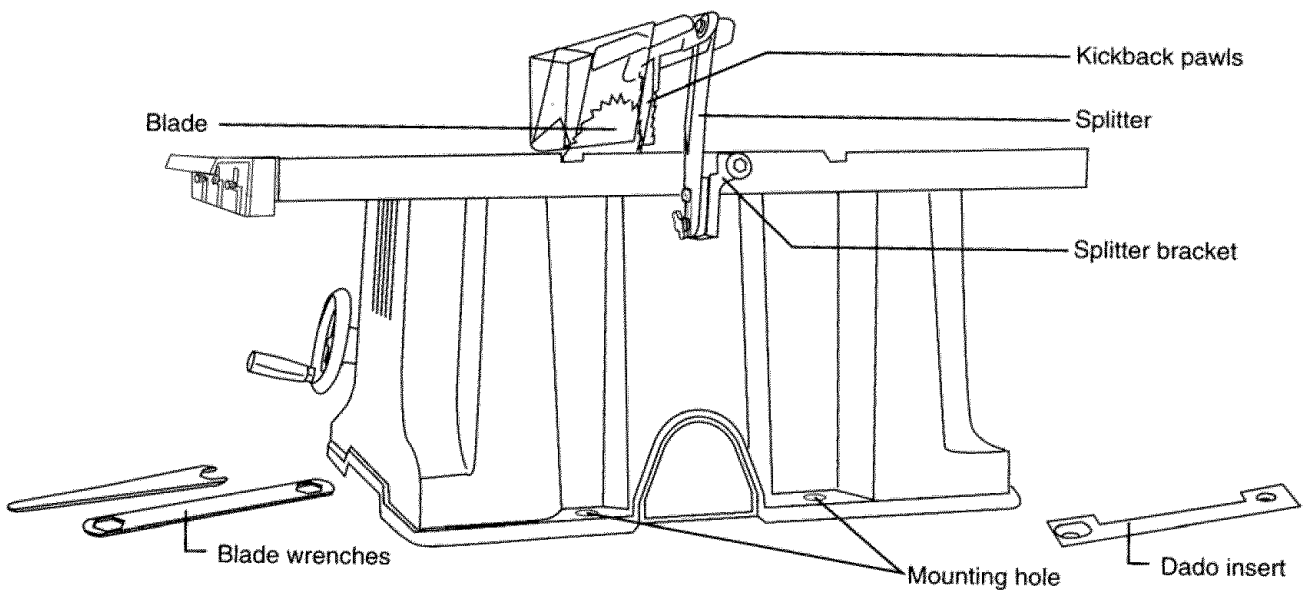
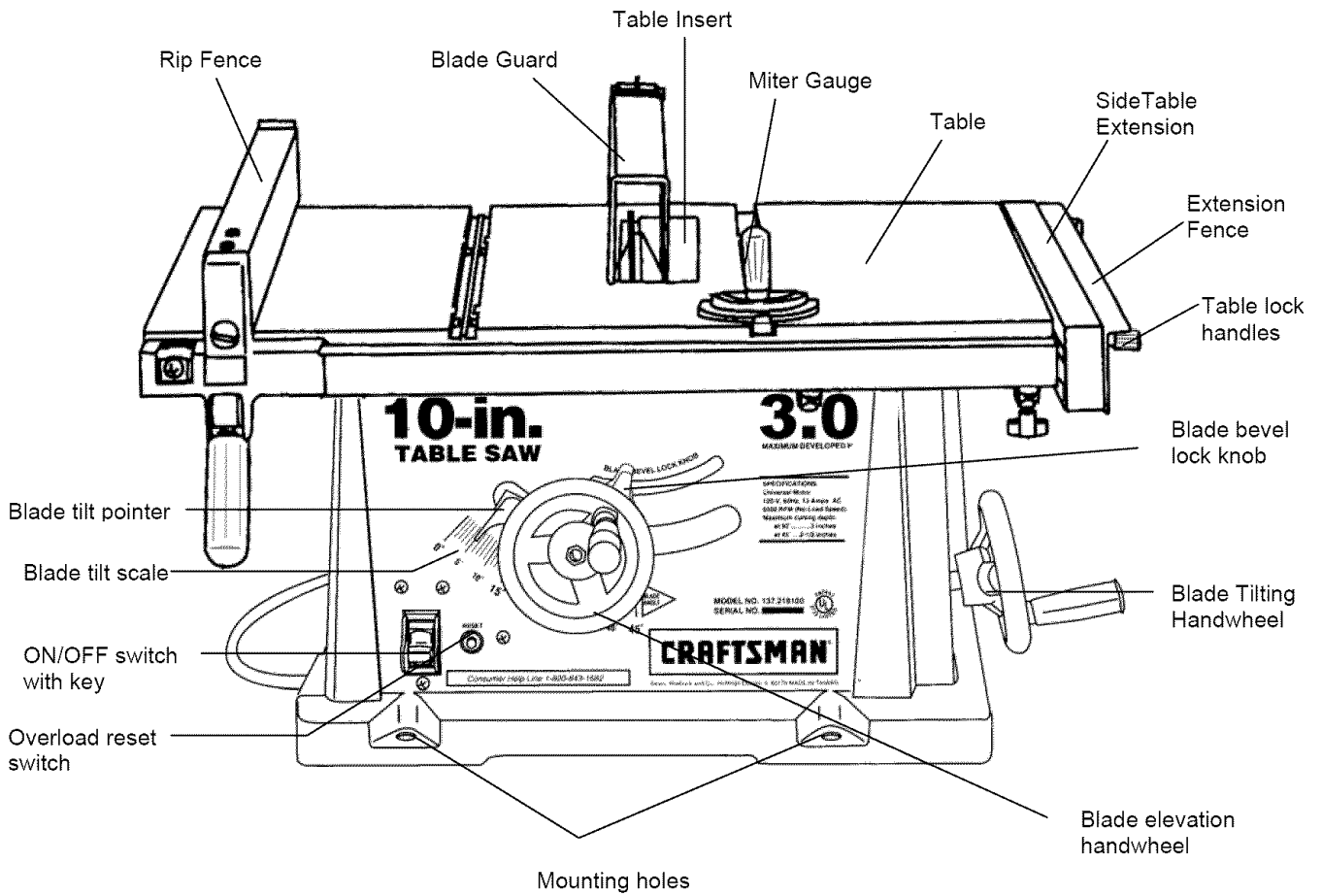


L



M

# KNOW YOUR TABLE SAW





## ASSEMBLY AND ADJUSTMENTS

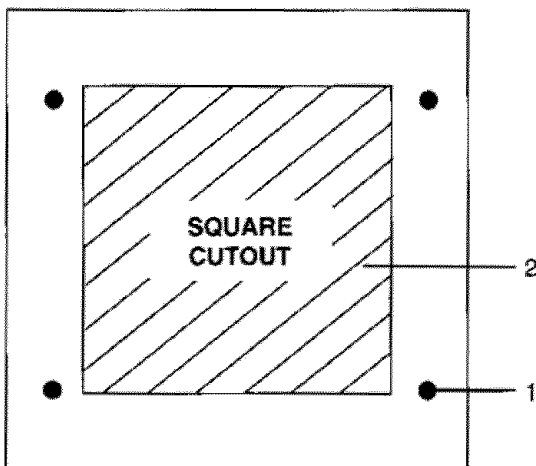
### SAW MOUNTED TO WORK SURFACE (FIG. A)

1. If the leg set will not be used, the saw must be properly secured to a sturdy workbench using the four mounting holes at the base of the saw.
2. The surface of the table where the saw is to be mounted must have a hole large enough to facilitate sawdust fall-through and removal.
3. Square the saw on the mounting surface and mark the location of the four 3/8" mounting holes (1).
4. Drill 3/8" hole into the mounting surface.
5. Mark an 11" square (2) centered between the four mounting holes (1).
6. Cut out and remove the square.
7. This opening will allow sawdust to fall through the saw base.
8. Place the saw on the work surface, and align the mounting holes of the saw with those drilled through the surface.
9. Fasten the saw to the work surface.

### **⚠ WARNING**

Do not operate this machine on the floor-this is a very dangerous position.

**Fig. A**



### **⚠ WARNING**

Failure to provide the sawdust fall-through hole will cause sawdust to build up in the motor area, which may result in fire or cause motor damage.

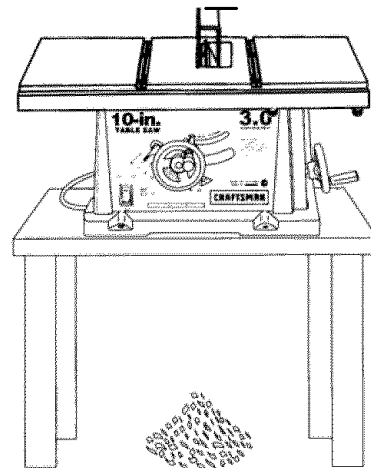
### KEEPING THE AREA CLEAN (FIG. B)

1. Sawdust and wood chips that fall from under the saw will accumulate on the floor.
2. Make it a practice to pick up and discard this dust when you have completed cutting.

### **⚠ WARNING**

Always keep your work area clean, uncluttered and well lit. Do not work on floor surfaces that are slippery from sawdust or wax.

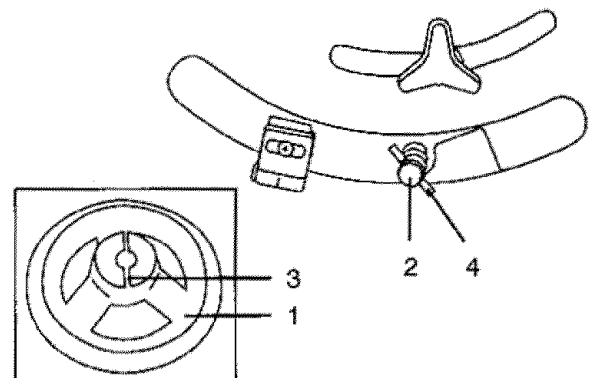
**Fig. B**



### BLADE RAISING HANDWHEEL (FIG. C)

1. Attach the handwheel (1) to the elevation screw (2) at the front of the saw. Make sure the slots (3) in the handwheel engage with the pins (4).
2. Attach and tighten the dome nut (5) at the end of the shaft (Fig. D).

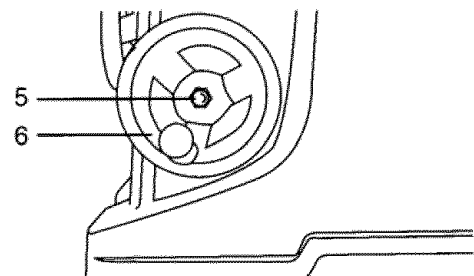
**Fig. C**



### BLADE TILTING HANDWHEEL (FIG. D)

1. Attach the other handwheel (6) to the blade tilting screw on the side of the saw in the same manner as above.
2. Attach and tighten the handwheel dome nut (5).

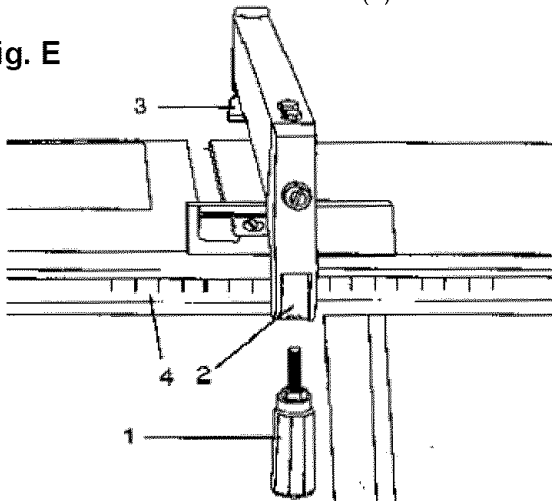
**Fig. D**



### RIP FENCE (FIG. E)

1. Thread the fence handle (1) into the cam hole (2) until tight.
2. Lift upward on the rip fence handle (1) so that the holding clamp (3) is fully extended.
3. Place the rip fence on the saw table and engage the holding clamp (3) to the table rear. Lower the front end onto the front rail (4).
4. Push down on the fence handle (1) to lock.

Fig. E



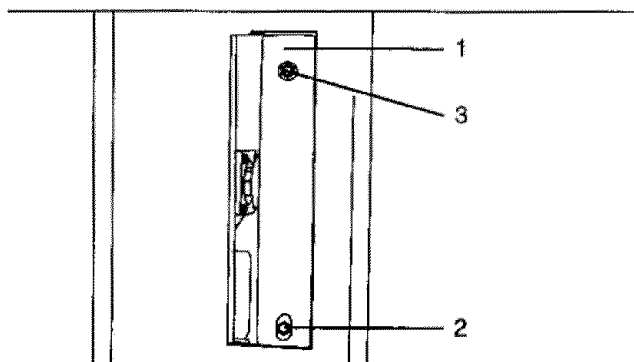
### INSTALLING AND CHANGING THE BLADE (FIG. F, G, H)

#### ▲ WARNING

- To avoid injury from an accidental start, make sure the switch is in the OFF position and the plug is not connected to the power source outlet.
- To avoid serious injury, table insert must be level with the table. If the table insert is not level with the table, adjust the screw (3) until it is level with the table. To raise the insert, turn the screw counterclockwise, to lower the insert, turn the screw clockwise.

1. Remove the table insert (1) by unscrewing the two screws (2, 3). Be careful not to lose the rubber washer that is on the back screw (3) beneath the table insert. (Fig. F)

Fig. F

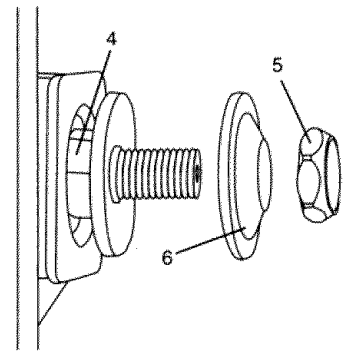


2. Raise the blade arbor (4) (Fig. G) to the maximum height by turning the blade raising handwheel counterclockwise.
3. Remove the arbor nut (5) and flange (6), remove blade.
4. Install the saw blade onto the arbor with the blade teeth pointing toward the front of the saw.
5. Install the flange (6) against the blade and thread the arbor nut (5) as far as possible by hand. Ensure that the blade is flush against the inner side of the blade flange.

#### ▲ WARNING

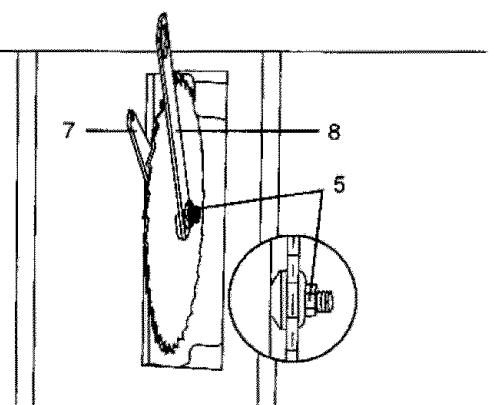
To avoid possible injury and damage to the workpiece be sure to install the blade with the teeth pointing toward the front of table in the direction of the rotation arrow on the blade guard.

Fig. G



6. To tighten the arbor nut (5) place the open-end wrench jaws on the flats of the saw arbor to keep the arbor from turning. (Fig. H)
7. Place the box-end wrench (8) on the arbor nut (5), and turn clockwise (to the rear of the saw table).
8. Replace the blade insert in the table recess, insert the screws through the front and rear holes and tighten.

Fig. H



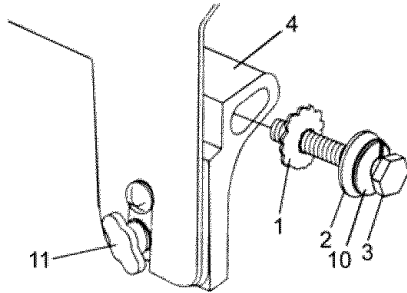
#### ▲ WARNING

To avoid injury from a thrown workpiece, blade parts, or blade contact, never operate saw without the proper insert in place. Use the saw blade insert when sawing. Use the dado head insert when using a dado.

## BLADE GUARD ASSEMBLY (FIG. I, J, K)

1. Set the blade to maximum height and the tilt to zero degrees on the bevel scale with the hand wheels. Lock the blade lock knob.
2. Place the external toothed lock washer (1), a steel flat washer (2) and a spring washer (10) onto the long hex head bolt (3). Insert the bolt into the splitter bracket (4) as shown. (Fig. I)

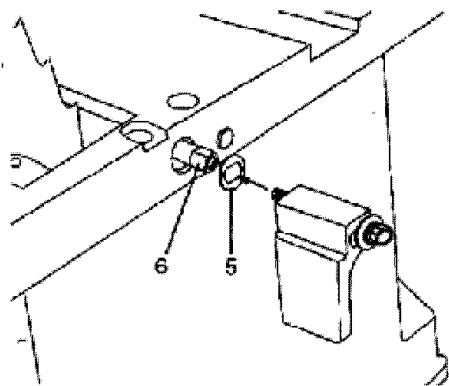
Fig. I



3. Place the oval washer (5) on the pivot rod (6). (Fig. J)
4. Install the bracket assembly (4) into the rear of the saw table. Thread the bolt (3) into the internally threaded pivot rod.

**NOTE:** The splitter is removed from the illustration for clarity.

Fig. J



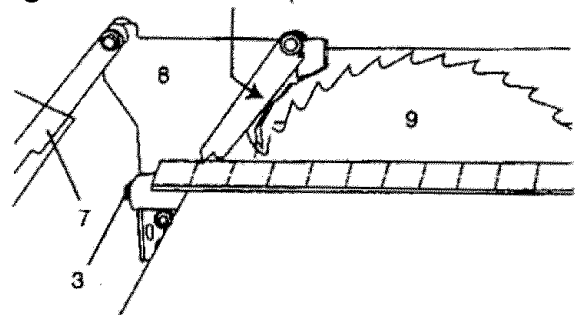
5. Position the blade guard arm (7) to the rear of the table. (Fig. K)
6. Using a straight edge, check to see the blade guard splitter (8) is aligned with the saw blade (9).
7. If straightening adjustment is necessary, loosen the bolt (3) and shift the splitter assembly to right or left, or rotate.
8. When the splitter is properly aligned with the saw blade, tighten the bolt.
9. If height adjustment is necessary, loosen the knob (11) and raise the splitter assembly to the desired height and tighten the knob. (Fig. I)

**NOTE:** The splitter must always be correctly aligned so that the cut workpiece will pass on either side without binding or twisting to the side.

## ⚠ WARNING

Improper splitter alignment can cause "kickback" and Serious injury.

Fig. K anti-kickback pawl



## INSTALLING THE TABLE EXTENSION FENCE (FIG. L, M)

### NOTE:

- A. For ripping 10" ~ 14" workpiece, the extension fence has to be installed in the IN-RIP position (Fig. L). Raise the fence to a position that just clears the table surface and secure in place using lock handles (1) for IN-RIP position.
- B. For ripping 14" ~ 24" workpiece, the extension fence has to be installed in the OUT-RIP position (Fig. M).

1. Install the locking handle (1) on the aluminum extension table.
2. Place the table extension fence (2) on the aluminum extension table.
3. Raise the fence to the desired height and tighten the lock handle (1).

Fig. L

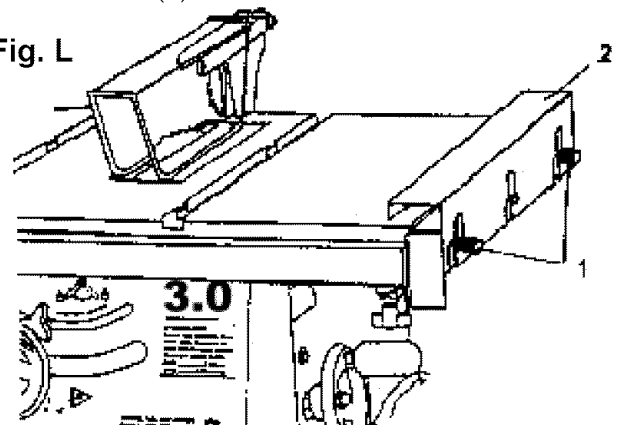
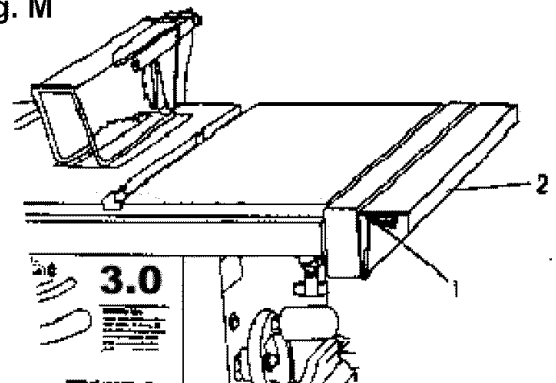


Fig. M



## ADJUSTMENT INSTRUCTIONS

### **⚠ WARNING**

To avoid injury from an accidental start, make sure the switch is in the OFF position and the plug is not connected to the power source, before making any adjustments.

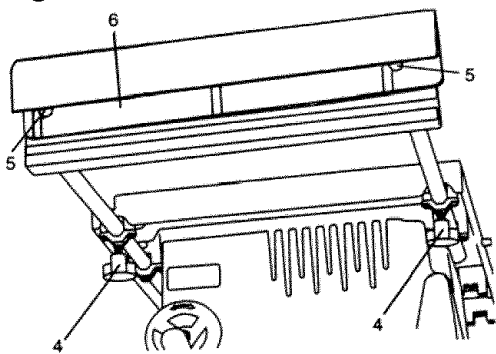
### ADJUSTING THE TABLE EXTENSION (FIG. N)

NOTE: The table extension may be installed on the right side of the table, as needed, to support long workpiece.

#### To adjust the table extension position

1. Loosen the two clamp bolts (4) on the two extension tube brackets.
2. Slide the extension tubes in or out until the scale on the front tube is positioned at the desired distance. Tighten the two clamp bolts.
3. To adjust fence position, loosen lock handles (5) and position auxiliary fence (6).
4. Tighten lock handles (5).

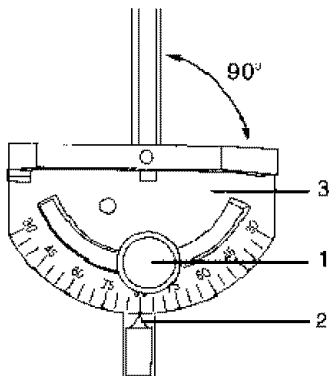
Fig. N



### MITER GAUGE ADJUSTMENT (FIG. O)

1. Make sure that the miter gauge will slide freely through both table grooves.
2. Loosen the lock knob (1). Set the pointer (2) to the 90° mark on the scale.
3. Make a 90° cut in a piece of scrap wood. Check cut piece to see if it was cut at 90°. If it is not, continue to adjust the miter gauge body (3) until the wood piece is cut at 90°. Refer to OPERATION section for cutting instructions.

Fig. O



### RIP FENCE ADJUSTMENT (FIG. P)

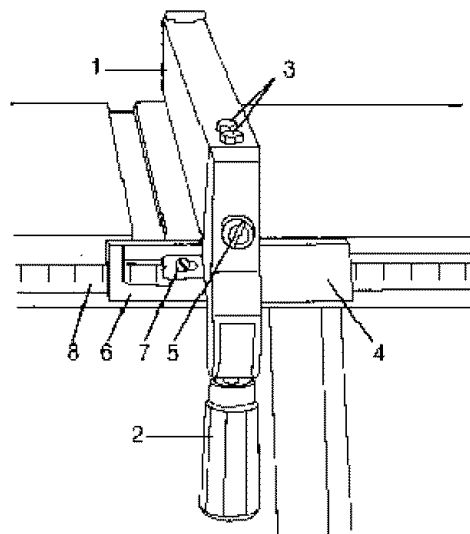
1. The fence (1) is moved by lifting up on the handle (2) and sliding the fence to the desired location. Pushing down on the handle locks the fence in position.
2. Position the fence on the right side of the table, and along one edge of the miter gauge grooves.
3. Lock the fence handle. The fence should be parallel with the miter gauge groove.
4. If adjustment is needed to make the fence parallel to the groove, do the following:
  - Loosen the two screws (3) and lift up on the handle (2).
  - Hold the fence bracket (4) firmly against the front of the saw table. Move the far end of the fence until it is parallel with the miter gauge groove.
  - Tighten both screws and push the handle to lock.
5. If fence is loose when the handle is in the locked (downward) position, do the following:
  - Move the handle (2) upward and turn the adjusting screw (5) clockwise until the rear clamp is snug. Do not turn the adjusting screw more than 1/4 turn at a time.

Over-tightening the adjusting screw will cause the fence to come out of alignment.

### **⚠ WARNING**

Failure to properly align fence can cause "kickback" and serious injury.

Fig. P



### RIP FENCE INDICATOR ADJUSTMENT (FIG. P)

1. The rip fence indicator (6) points to the measurement scale (8). The scale shows the distance from the side of the fence to nearest side of the blade.
2. Measure the actual distance with a rule. If there is a difference between the measurement and the indicator, adjust the indicator (6).

Loosen the screw (7) and slide the indicator to the correct measurement on the scale. Tighten the screw and re-measure with the rule.

## **⚠ WARNING**

To avoid injury from an accidental start, make sure the switch is in the OFF position and the plug is not connected to the power source outlet.

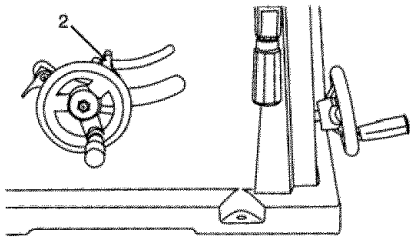
### **ADJUSTING THE 90° AND 45° POSITIVE STOPS (FIG. Q, Q-1, R)**

Your saw has positive stops that will quickly position the saw blade at 90° to the table. Make adjustments only if necessary.

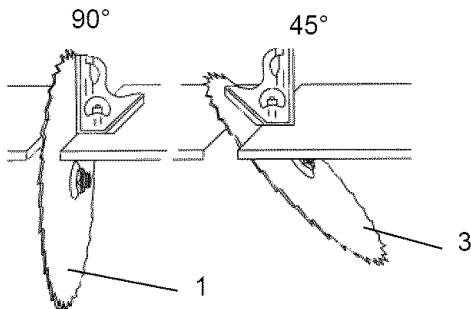
#### **90° Stop**

1. Disconnect the saw from the power source.
2. Turn the blade elevation handwheel and raise the blade to the maximum elevation.
3. Loosen the blade bevel lock handle (2) and move the blade to the maximum vertical position. Tighten the lock handle (2).
4. Place a combination square on the table and against the blade (1) to determine if the blade is 90° to the table. (Fig. Q-1)
5. If the blade is not 90° to the table, loosen the two set screws (4), located on the bottom of the table saw, (Fig. R) with the hex key, and back off the collar.
6. Loosen the bevel lock knob. Turn the blade tilting handwheel to move the blade until it is 90° to the table.
7. Adjust the collar (5) so it contacts the bracket (3) when the blade is 90° to the table. Tighten the two set screws (4).

**Fig. Q**



**Fig. Q-1**



#### **45° Stop**

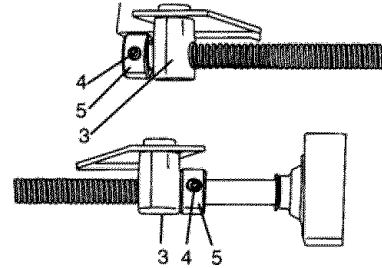
1. With the blade in the upright 90° position, loosen the bevel lock knob and move the blade to the 45° position as far as it will go.
2. Place the combination square on the table as shown in (Fig. Q-1) to check if the blade is 45° to the table.
3. If the blade is not 45° to the table, adjust the screw (4) (Fig. R) with a screw driver until the blade is 45° to the table.
4. Tighten the bevel lock handle.
5. Tighten the screw (4) until resistance is felt. Do not overtighten.

#### **BLADE TILT POINTER**

1. When the blade is positioned at 90°, adjust the blade tilt pointer to read 0° on the scale.
2. Loosen the holding screw, position pointer over 0° and tighten the screw.

**NOTE:** Make a trial cut on scrap wood before making critical cuts. Measure for exactness.

**Fig. R**



#### **BLADE PARALLEL TO THE MITER GAUGE GROOVE (FIG. R, S)**

This adjustment was made at the factory, but it should be rechecked and adjusted if necessary.

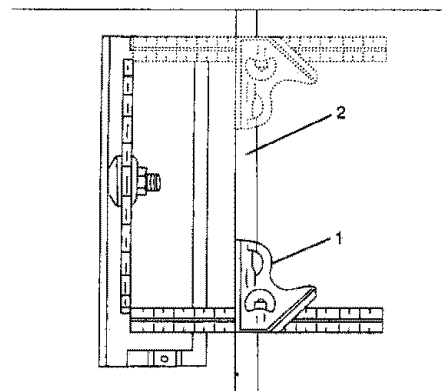
## **⚠ WARNING**

To prevent personal injury:

- Always disconnect plug from the power source when making any adjustments.
- This adjustment must be correct or kickback could result in a serious injury and accurate cuts can not be made.

1. Remove the yellow switch key and unplug the saw.
2. Move the blade guard out of the way.
3. Raise the blade to the highest position and set at the 0° angle (90° straight up).
4. Select and mark, with a felt tip maker, a blade tooth having a "right set".
5. Place the combination square base (1) into the right side miter gauge groove (2). (Fig. Q-1)
6. Adjust the rule so it touches the front marked tooth and lock ruler so it holds its position in the square assembly.
7. Rotate the blade bringing the marked tooth to the rear and about 1/2 inch above the blade.
8. Carefully slide the combination square to the rear until the ruler touches the marked tooth.
9. If the ruler touches the marked tooth at the front and rear position, no adjustment is needed at this time. If not, perform adjustment procedure described in next section.

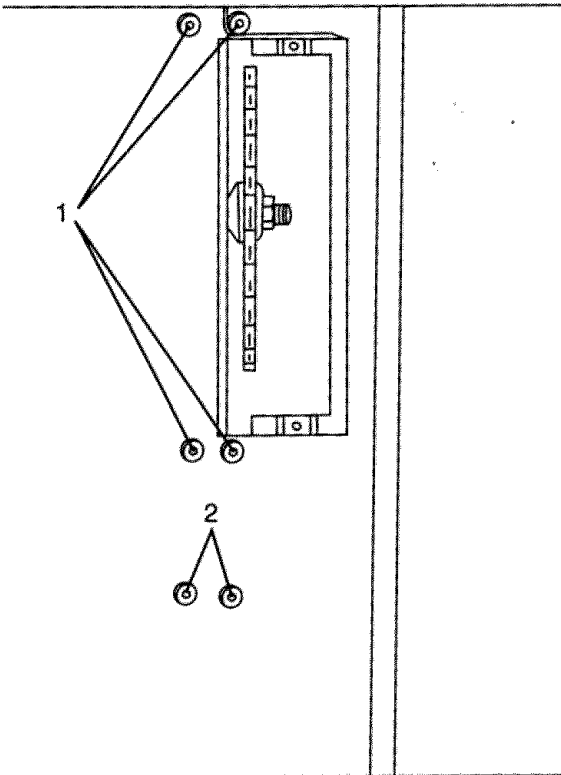
**Fig. S**



### Additional blade adjustments (Fig. T)

1. If the front and rear measurements are not the same, remove the combination square and loosen the four adjusting screws (1) on the top of the table about a half turn.
2. With a folded piece of cardboard covering the blade to protect your hands, move the blade carefully to the left or right as much as needed to align the blade correctly.
3. Tighten the four screws (1) and re-measure, as described in steps 4 to 9 in the prior section.
4. If sufficient adjustment cannot be made by the four adjusting screws (1), then also loosen the two adjusting screws (2). Loosen these screws only if necessary.
5. Recheck blade clearance making sure that the blade does not hit the table insert or other parts when at the 90° and 45° settings.
6. Tighten all screws.

Fig. T



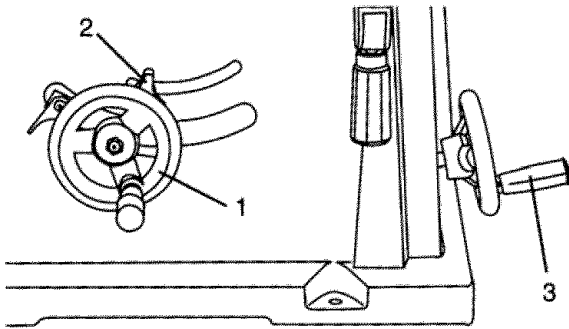
# OPERATION

## BASIC SAW OPERATIONS

### RAISE THE BLADE (FIG. U)

To raise or lower the blade, turn the blade elevation handwheel (1) to the desired blade height, and then tighten lock handle (2) to maintain the desired blade angle.

Fig. U



### TILTING THE BLADE (FIG. U)

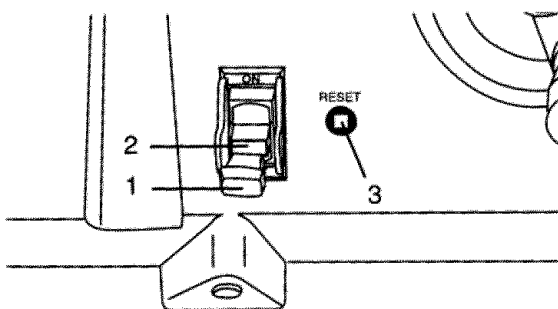
1. To tilt the saw blade for bevel cutting, loosen the lock knob (2) and turn the tilting handwheel (3).
2. Tighten the lock knobs (2) to secure.

### ON/OFF SWITCH (FIG. V)

The ON / OFF switch has a removal key. With the key removed from the switch, unauthorized and hazardous use by children and others is minimized.

1. To turn the saw ON, insert key (1) into the slot in the switch (2). Move the switch upward to the ON position.
2. To turn the saw OFF, move the switch downward.
3. To lock the switch in the OFF position, grasp the end (or yellow part) of the toggle switch (1), and pull it out.
4. With the switch key removed, the switch will not operate.
5. If the switch key is removed while the saw is running, it can be turned OFF but cannot be restarted without inserting the switch key (1).

Fig. V



### OVERLOAD PROTECTION (FIG. V)

This saw has a reset overload relay button (3) that will restart the motor after it shuts off due to overloading or low voltage. If the motor stops during operation, turn the ON / OFF switch to the OFF position. Wait about five minutes for the motor to cool. Push in on the reset button (3) and turn the switch to the ON position.

### ⚠ WARNING

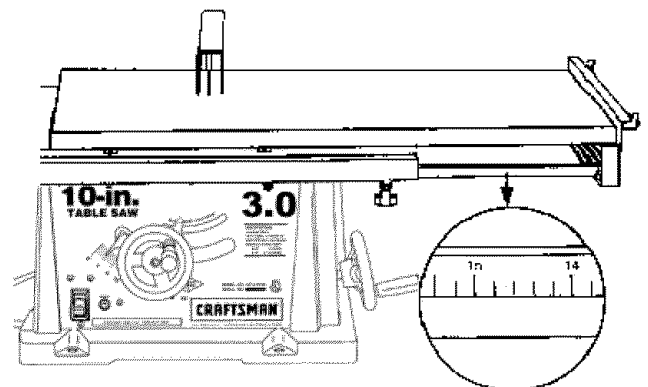
To avoid injury, the ON / OFF switch should be in the OFF position and the plug removed from the power source while the cool down takes place, to prevent accidental starting when the reset button is pushed. Overheating may be caused by misaligned parts or a dull blade. Inspect your saw for proper setup before using it again.

### USING THE TABLE EXTENSION (FIG. W)

**NOTE:** Raise the fence to a position that just clears the table surface and secure in place using lock handles for **IN-RIP** position.

1. Remove the stop screws from the ends of the tubes.
2. Slide the ends of the tubes through both support brackets on the side your workpiece will be needing support, and replace the two stop screws.
3. Rotate the front tube to display the scale as an extension of the table top scale.
4. Slide the extension out until the correct measurement is displayed on the tube scale.
5. Loosen the fence handles, and raise or lower the fence as needed.
6. Tighten all extension support handles and knobs.

Fig. W



## CUTTING OPERATIONS

There are two basic types of cuts: ripping and crosscutting. Ripping is cutting along the length and the grain of the workpiece. Crosscutting is cutting either across the width or across the grain of the workpiece. Neither ripping nor crosscutting may be done safely freehand. Ripping requires the use of the rip fence, and crosscutting requires the miter gauge.

### **⚠ WARNING**

Before using the saw each and every time, check the following:

1. Blade is tight on the arbor.
2. Bevel angle lock knob is tight.
3. If ripping, fence knob is tight and fence is parallel to the miter gauge grooves.
4. Blade guard is in place and working properly.
5. Safety glasses are being worn.

The failure to adhere to these common safety rules, and those printed in the front of this manual, can greatly increase the likelihood of injury.

## RIPPING (FIG. W, X)

### **⚠ WARNING**

To prevent serious injury:

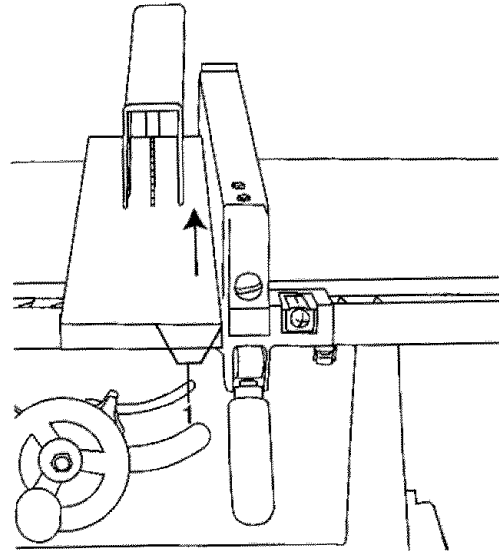
- Never use the miter gauge when ripping.
- Never use more than one rip fence during a single cut.
- Do not allow familiarity or frequent use of your table saw to cause careless mistakes. Remember that even a careless fraction of a second is enough to cause a severe injury.
- Keep both hands away from the blade and path of the blade.
- The workpiece must have a straight edge against the fence and must not be warped, twisted, or bowed.

1. Remove the miter gauge. Secure the rip fence to the table.
2. Raise the blade so it is about 1/8" higher than the top of the workpiece.
3. Place the workpiece flat on the table and against the fence. Keep the workpiece about 1" away from the blade.
4. Turn the saw ON and wait for the blade to come up to speed.
5. Slowly feed the workpiece into the blade by pushing forward only on the workpiece section (1) that will pass between the blade and the fence. (Fig. X)

### **⚠ WARNING**

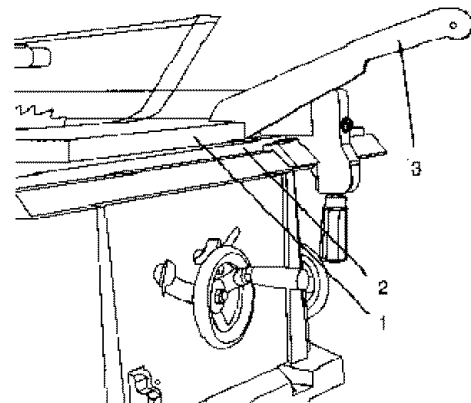
**AVOID KICKBACK** by pushing forward that section of the workpiece that will pass between the blade and the fence.

Fig. X



6. Keep your thumbs off the blade top. When both of your thumbs touch the front edge of the table (2), finish the cut with a push stick. Make a push stick using the pattern on page 21.
7. The push stick (3) should always be used when the ripped workpiece is 2" or narrower (1). (Fig. Y)
8. Continue pushing the workpiece with the push stick (3) until it passes the blade guard and clears the rear of the table.
9. Never pull the piece back when the blade is turning. Turn the switch OFF. When the blade completely stops raise the anti-kickback pawls on each side of the splitter and slide the workpiece out.

Fig. Y





### BEVEL RIPPING

This cut is the same as ripped except the blade bevel angle is set to an angle other than "0".

#### **⚠ WARNING**

Cut only with the workpiece and the fence on the right side of the blade.

### RIPPING SMALL PIECES

#### **⚠ WARNING**

Avoid injury from the blade contact. Never make through-saw cuts narrower than 1/2" wide.

1. It is unsafe to rip small pieces. Instead, rip a larger piece to obtain the size of the desired piece.
2. When a small width is to be ripped and your hand cannot be safely put between the blade and the rip fence, use one or more push sticks to move the workpiece.

### CROSSCUTTING (FIG. Z)

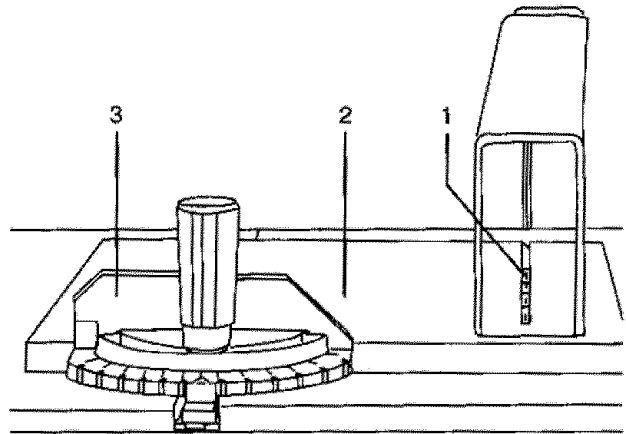
#### **⚠ WARNING**

To prevent serious injury:

- Do not allow familiarity or frequent use of your table saw to cause careless mistakes. Remember that even a careless fraction of a second is enough to cause a severe injury.
- Keep both hands away from the blade and the path of the blade.

1. Remove the rip fence and place the miter gauge in the left side groove.
2. Adjust the blade height so it is 1/8" higher than the top of the workpiece.
3. Hold the workpiece firmly against the miter gauge with the blade path in line with the desired cut location. Move the workpiece to one inch distance from the blade.
4. Start the saw and wait for the blade (1) to come up to full speed.
5. Keep the workpiece (2) against the face of the miter gauge (3) and flat against the face of the gauge and flat against the table. Then slowly push the workpiece through the blade. (Fig. Y)
6. Do not try to pull the workpiece back with the blade turning. Turn the switch OFF, and carefully slide the workpiece out when the blade is completely stopped.

Fig. Z

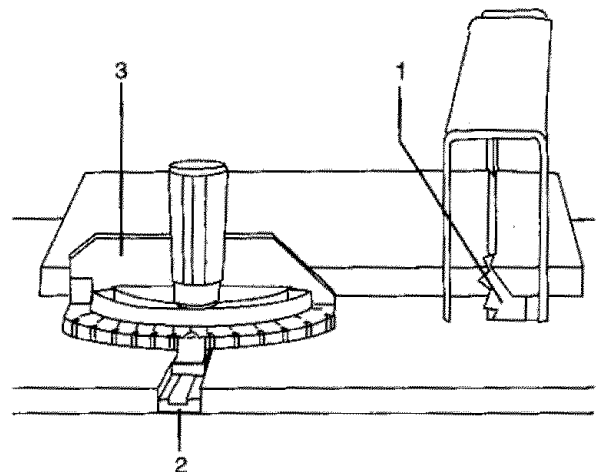


### BEVEL CROSSCUTTING (FIG. AA)

This cutting operation is the same as crosscutting except the blade is at bevel angle other than 0°.

1. Adjust the blade (1) to the desired angle, and tighten the blade bevel lock knob.
2. Always work to the left side of the blade. The miter gauge (3) must be in the left side groove (2). It cannot be used in the right side groove unless the miter angle is very sharp, as it will interfere with the blade guard.

Fig. AA

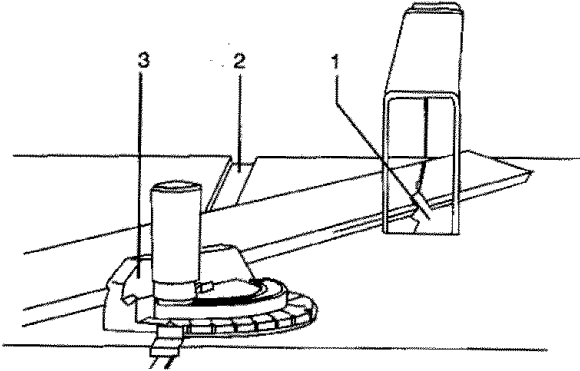


### COMPOUND MITER CROSSCUTTING (FIG. BB)

This sawing operation is combining a miter angle with a bevel angle.

1. Set the miter gauge (3) to the desired angle. Use only the left side groove (2).
2. Set the blade (1) bevel to the desired angle.
3. Carefully push the miter gauge to begin the cutting operation.

Fig. BB

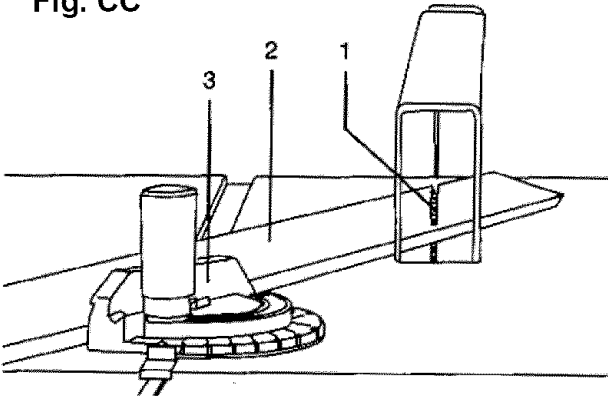


### MITERING (FIG. CC)

This sawing operation is the same as crosscutting except the miter gauge is locked at an angle other than 90°.

1. Hold the workpiece (2) firmly against the miter gauge (3).
2. Feed the workpiece slowly into the blade (1) to prevent the workpiece from moving.

Fig. CC



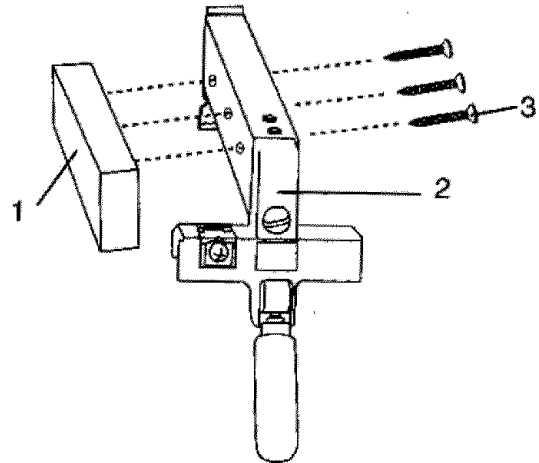
### USING WOOD FACING ON THE RIP FENCE (FIG. DD)

When performing some special cutting operations, add a wood facing (1) to either side of the rip fence (2).

**NOTE:** Before using wood facing on the rip fence, make sure the auxiliary fence is removed.

1. Use a smooth straight 3/4" thick wood board (1) that is as long as the rip fence.
2. Attach the wood facing to the fence with wood screw (3) through the hole in the fence. A wood fence should be used when ripping material such as thin paneling to prevent the material from catching between the bottom of the fence and the table.

Fig. DD



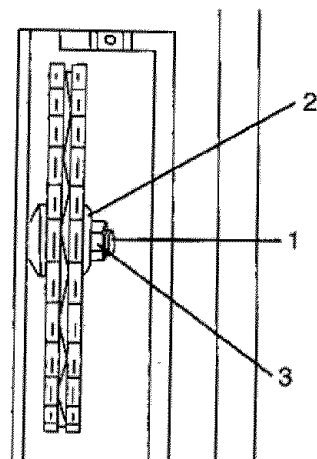
### DADO CUTS (FIG. EE)

1. The dado table insert is included with this saw. Remove saw blade, blade guard, installed dado, and dado table insert.
2. Instruction for operating the dado is packed with the separately purchased dado set.
3. The arbor (1) on this saw restricts the maximum width of the cut to 1/2".
4. It is not necessary to install the outside flange (2) before screwing on the arbor nut (3). Make sure that the arbor nut (3) is tight, and that at least one thread of the arbor sticks out past the nut.
5. Use only the 6" dado set and keep the width 1/2" or less. It will be necessary to remove the blade guard and splitter when using a dado blade. Always use caution when operating a dado blade.
6. Use only the correct number of round outside blades and inside chippers as shown in the dado set's instruction manual. Blade or chipper must not exceed 1/2".
7. Check saw to ensure that the dado will not strike the housing, insert, or motor when in operation.

### WARNING

For your own safety, always replace the blade, blade guard assembly, and blade insert when you are finished with the dado operation.

Fig. EE



# MAINTENANCE

## MAINTAINING YOUR TABLE SAW

Fig. FF

### GENERAL MAINTENANCE

#### **⚠ WARNING**

For your own safety, turn the switch OFF and remove the switch key. Remove the plug from the power source outlet before maintaining or lubricating your saw.

1. Clean out all sawdust that has accumulated inside the saw cabinet and the motor.
2. Polish the saw table with an automotive wax to keep it clean and to make it easier to slide the workpiece.
3. Clean cutting blades with pitch and gum remover.
4. A worn, cut, or damaged power cord should be replaced immediately.

#### **⚠ WARNING**

All electrical or mechanical repairs should be attempted only by a trained repair technician. Contact the nearest Sears Service Center for service. Use only identical replacement parts. Any other parts may create a hazard.

5. Use liquid dish washing detergent and water to clean all plastic parts.

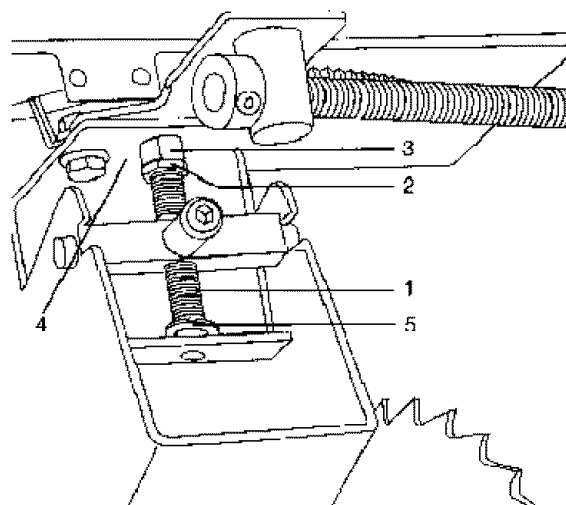
**NOTE:** Certain cleaning chemicals can damage plastic parts.

6. Avoid use of the following cleaning chemicals or solvents, ammonia and household detergents containing ammonia.

### BLADE RAISING AND TILTING MECHANISM

After each five hours of operation, the blade raising mechanism and tilting mechanism should be checked for looseness, binding, or other abnormalities. With the saw disconnected from the power source, turn the saw upside down and alternately pull upward and downward on the motor unit. Observe any movement of the motor mounting mechanism. Looseness or play in the blade raising screw (1) (Fig. FF) should be adjusted as follows:

1. Using a wrench, loosen nut (2).
2. Adjust nut (3) until it is finger-tight against the bracket (4), then back off the nut (3) 1/6 turn.
3. Tighten nut (2) with the wrench, while holding nut (3) in place. Maximum allowable play of screw rod (1) is 4 mm.



Place a small amount of dry lubricant on bevel gear (2). Screw rod (1) must be kept clean and free of sawdust, gum, pitch, and other contaminants for smooth operation.

If excessive looseness is observed in any parts of the blade raising mechanism or tilting mechanism, take the complete unit to a Sears Service Center.

### LUBRICATION

All motor bearings are permanently lubricated at the factory and require no additional lubrication. On all mechanical parts of your table saw where a pivot or threaded rod are present, lubricate using graphite or silicone. These dry lubricants will not hold sawdust as would oil or grease.

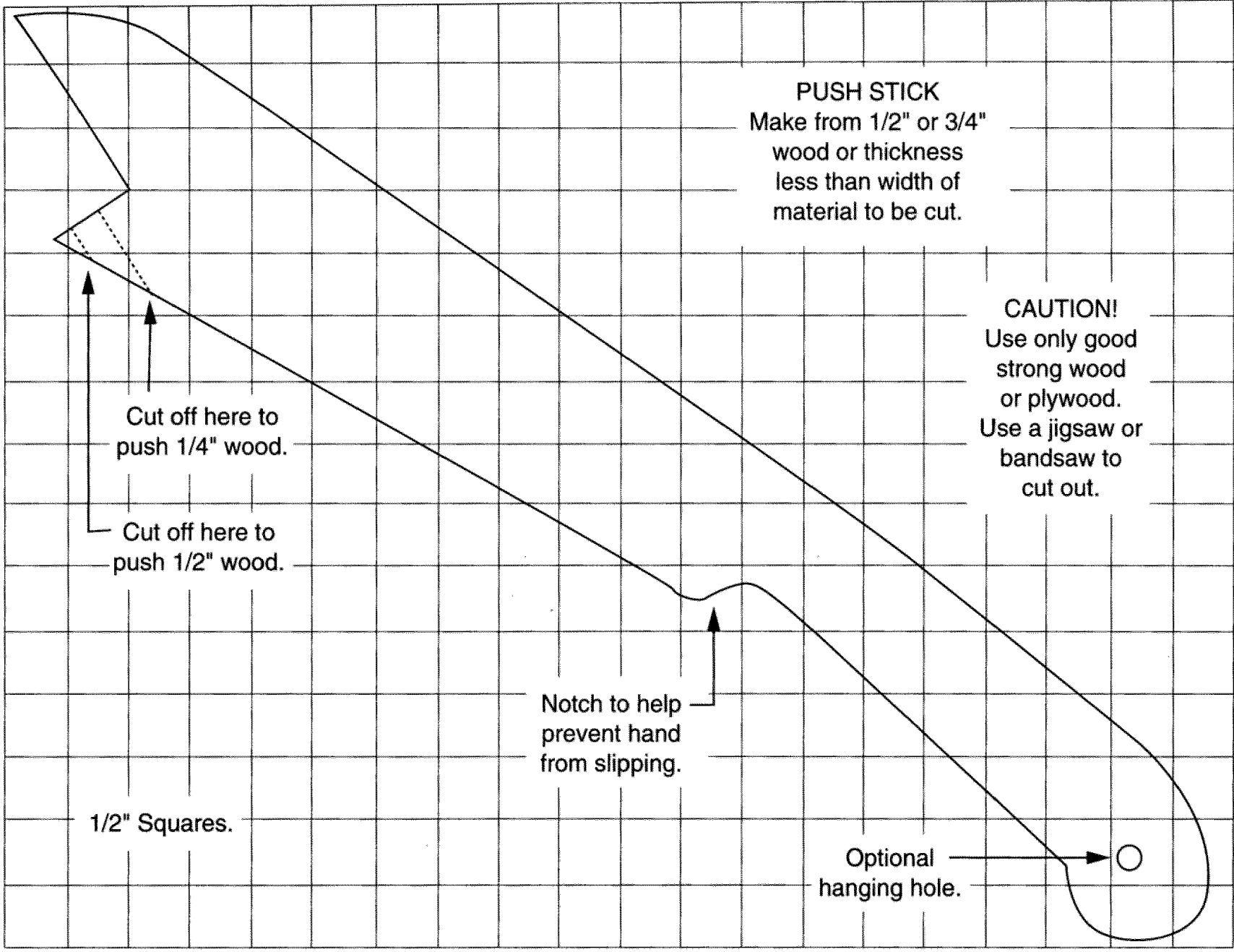
## TROUBLESHOOTING GUIDE

### **⚠ WARNING**

To avoid injury from an accidental start, turn the switch OFF and always remove the plug from the power source before making any adjustments.

- Consult your local Sears Service Center if for any reason the motor will not run.

SYMPTOM	POSSIBLE CAUSES	CORRECTIVE ACTION
Saw will not start	<ol style="list-style-type: none"> <li>1. Saw not plugged in</li> <li>2. Fuse blown or circuit breaker tripped</li> <li>3. Cord damaged</li> </ol>	<ol style="list-style-type: none"> <li>1. Plug in saw</li> <li>2. Replace fuse or reset circuit breaker</li> <li>3. Have cord replaced by a Sears Service Center</li> </ol>
Does not make accurate 45° and 90° rip cuts	<ol style="list-style-type: none"> <li>1. Positive stop not adjusted correctly</li> <li>2. Tilt angle pointer not set accurately</li> </ol>	<ol style="list-style-type: none"> <li>1. Check blade with square and adjust positive stop</li> <li>2. Check blade with square and adjust to zero</li> </ol>
Material pinched blade when ripping	<ol style="list-style-type: none"> <li>1. Rip fence not aligned with blade</li> <li>2. Warped wood, edge against fence is not straight</li> </ol>	<ol style="list-style-type: none"> <li>1. Check and adjust rip fence</li> <li>2. Select another piece of wood</li> </ol>
Material binds on splitter	<ol style="list-style-type: none"> <li>1. Splitter not aligned correctly with blade</li> </ol>	<ol style="list-style-type: none"> <li>1. Check and align splitter with blade</li> </ol>
Saw makes unsatisfactory cuts	<ol style="list-style-type: none"> <li>1. Dull blade</li> <li>2. Blade mounted backwards</li> <li>3. Gum or pitch on blade</li> <li>4. Incorrect blade for work being done</li> <li>5. Gum or pitch on blade causing erratic feed</li> </ol>	<ol style="list-style-type: none"> <li>1. Replace blade</li> <li>2. Turn the blade around</li> <li>3. Remove blade and clean with turpentine and coarse steel wool</li> <li>4. Change the blade</li> <li>5. Clean table with turpentine and steel wool</li> </ol>
Material kicked back from blade	<ol style="list-style-type: none"> <li>1. Rip fence out of adjustment</li> <li>2. Splitter not aligned with blade</li> <li>3. Feeding stock without rip fence</li> <li>4. Splitter not in place</li> <li>5. Dull blade</li> <li>6. The operator letting go of material before it is past saw blade</li> <li>7. Miter angle lock knob is not tight</li> </ol>	<ol style="list-style-type: none"> <li>1. Align rip fence with miter gauge slot</li> <li>2. Align splitter with blade</li> <li>3. Install and use rip fence</li> <li>4. Install and use splitter (with guard)</li> <li>5. Replace blade</li> <li>6. Push material all the way past saw blade before releasing work</li> <li>7. Tighten knob</li> </ol>
Blade does not raise or tilt freely	<ol style="list-style-type: none"> <li>1. Sawdust and dirt in raising and tilting mechanisms</li> </ol>	<ol style="list-style-type: none"> <li>1. Brush or blow out loose dust and dirt</li> </ol>
Blade does not come up to speed	<ol style="list-style-type: none"> <li>1. Extension cord too light or too long</li> <li>2. Low house voltage</li> </ol>	<ol style="list-style-type: none"> <li>1. Replace with adequate size cord</li> <li>2. Contact your electric company</li> </ol>
Machine vibrates excessively	<ol style="list-style-type: none"> <li>1. Saw not mounted securely to workbench</li> <li>2. Bench on uneven floor</li> <li>3. Damaged saw blade</li> </ol>	<ol style="list-style-type: none"> <li>1. Tighten all mounting hardware</li> <li>2. Reposition on flat level surface Fasten to floor if necessary</li> <li>3. Replace blade</li> </ol>
Does not make accurate 45° and 90° cross cuts	<ol style="list-style-type: none"> <li>1. Miter gauge out of adjustment</li> </ol>	<ol style="list-style-type: none"> <li>1. Adjust miter gauge</li> </ol>



**PUSH STICK**  
Make from 1/2" or 3/4"  
wood or thickness  
less than width of  
material to be cut.

**CAUTION!**  
Use only good  
strong wood  
or plywood.  
Use a jigsaw or  
bandsaw to  
cut out.

Cut off here to  
push 1/4" wood.

Cut off here to  
push 1/2" wood.

Notch to help  
prevent hand  
from slipping.

Optional  
hanging hole.

1/2" Squares.

# PARTS LIST

## 10" TABLE SAW PARTS LIST

MODEL NO. 137.218100/137.248100

**▲ WARNING**

When servicing use only CRAFTSMAN replacement parts. Use of any other parts may create a HAZARD or cause product damage.

**▲ WARNING**

Any attempt to repair or replace electrical parts on this Table Saw may create a HAZARD unless repair is done by a qualified service technician. Repair service is available at your nearest Sears Service Center.

**Always order by I.D.NO.**

### Schematic A

I.D. NO.	DESCRIPTION	SIZE	QTY
0806	KNOB		2
2008	EXTENTION WING		1
2009	TABLE		1
0B3B	SCALE		1
0B3H	INSERT		1
0B57	PARALLEL BRACKET ASS'Y		1
0B6S	CLAMP HANDLE		1
0B7Y	GUARD BRACKET		1
0B84	WASHER		1
0B8A	WARNING STICK LABEL (ONLY FOR 137.218100)		1
0BCD	GUIDE HOLDER		3
0BCH	ASSIST-FENCE		1
0BCL	SIDE COVER		2
0BCT	SCALE		1
0BEF	WARNING LABEL		1
0H8H	CLAMP BOLT		2
0J4E	FLAT WASHER	φ 6X13-1	1
0J76	FLAT WASHER	1/4X3/4-1/16	1
0J78	FLAT WASHER	1/4X1/2-3/32	1
0J95	SPRING WASHER	φ 6	1
0JAA	WASHER	φ 8	1
0JAE	EXTERNAL TOOTH LOCK WASHER	φ 4	1
0JYN	HEX. SOC. COUNTERSUNK HD. SCREW	M6X1.0-25	6
0K3R	CR.RE. PAN HD. SCREW & WASHER	M5X0.8-12	2
0K5P	CR. RE. COUNT HD. SCREW	M6X1.0-50	3
0K8E	CR. RE.COUNT HD. TAPPING SCREW	M5X16-12	2
0KDR	CR. RE. PAN HD. SCREW	M5X0.8-10	1
0KDS	CR. RE. PAN HD. SCREW	M5X0.8-40	2
0KF6	CR. RE. PAN HD. SCREW	M4X0.7-8	1
0KJ2	CAP HD. SQ.NECK BOLT	M6X1.0-25	1
0KKW	CR.RE. PAN HD. ROUND NECK SCREW	M6X1.0-16	1
0KMS	HEX. NUT	M6X1.0 T=5	1
0KMS	HEX. NUT	M6X1.0 T=5	1
0KMY	HEX. NUT	M8X1.25 · T=6.5	1
0KSW	STRAIN RELIEF		1
0WEV	KNOB		1
202N	BLADE GUARD ASS'Y		1
202R	UPER TUBE		1
202S	UPER TUBE		1
20L1	SLOTTED PAN HD.SCREW	M6X1.0-25	2
20LW	CR.RE. PAN HD. SCREW & WASHER	M5X0.8-16	6
20WQ	HEX. HD. BOLT	M6X1.0-50	1
212M	LEAD WIRE ASS'Y		1
22KU	WARNING LABEL		1
25MG	MITER GAUGE ASS'Y		1



**10" TABLE SAW PARTS LIST**  
**Schematic B**

**MODEL NO. 137.218100/137.248100**

I.D. NO.	DESCRIPTION	SIZE	QTY	I.D. NO.	DESCRIPTION	SIZE	QTY
09JK	WRENCH HEX.		1	0JCR	SPRING PIN	8-90	1
0AV9	BODY SHELL		1	0JE7	C-RING		1
0B1N	WHEEL		1	0JED	C-RING		1
0B22	HEIGHT REGULATING BOLT		1	0JEY	E-RING		1
0B23	SADDLE		1	0JXL	HEX. SOC. SET SCREW	M10X1.5-12	1
0B24	SPRING		1	0K0Z	HEX. HD. SCREW AND WASHER	M8X1.25-16	4
0B25	POINTER BRACKET		1	0K16	HEX. HD. SCREW AND WASHER	M8X1.25-16	1
0B2A	NEEDLE POINTER		1	0K25	HEX.SOCKET HD.CAP SCREWS	M5X0.8-20	1
0B2C	SWITCH BOX		1	0K3G	CR.RE. PAN HD. SCREW & WASHER	M5X0.8-12	1
0B3K	INSERT		1	0K7K	CR. RE. ROUND WASHER HD. SCREW	M6X1.0-12	2
0B3R	WRENCH		1	0K8C	CR. RE.COUNT HD. TAPPING SCREW	M4X18-10	4
0B3V	PLATE COVER		1	0K91	CR. RE. TRUSS HD. TAPPING SCREW	M4X16-12	4
0B3Y	RETAINING CLIP		1	0KA4	CR.RE. PAN HD. TAPPING SCREW	M4X16-16	2
0B48	WARNING LABEL		1	0KDU	CR. RE. PAN HD. SCREW	M6X1.0-12	2
0B97	MOTOR BRACKET		1	0KF7	CR. RE. PAN HD. SCREW	M4X0.7-12	2
0B99	SPACER		1	0KJ0	CAP HD. SQ.NECK BOLT	M6X1.0-16	2
0B9C	PLUNGER HOUSING		1	0KJ4	CAP HD. SQ.NECK BOLT	M6X1.0-35	1
0B9H	ANGLE ROD		1	0KJ5	CAP HD. SQ.NECK BOLT	M6X1.0-80	1
0B9M	STRAP		6	0KM1	RIVET	φ 5-11	3
0B9S	BRACKET		1	0KMR	HEX. NUT	M5X0.8 T=4	1
0B9W	BRACKET		1	0KMS	HEX. NUT	M6X1.0 T=5	1
0BA4	SPACER		1	0KMV	HEX. NUT	M10X1.5 T=8	1
0BAC	SET NUT		1	0KMW	HEX. NUT	M10X1.5 T=4	1
0BAE	ARBOR COLLAR		1	0KMY	HEX. NUT	M8X1.25 T=6.5	1
0BAJ	BLADE		1	0KQJ	CROWN NUT	M8X1.25 T=12.5	2
0BAT	NUT		1	0KRQ	SERRATED TOOTHED HEX. FLANGE NUT	M6X1.0 T=6	6
0BAU	SUPPORTING PLATE		1	0KRX	HEXAGON NUT AND FLAT WASHER	M6X1.0	3
0BAY	SCREW BAR		1	0KRX	HEXAGON NUT AND FLAT WASHER	M6X1.0	4
0BB3	CAUTION LABEL		1	0KTA	STRAIN RELIEF		2
0BB4	WHEEL		1	0L6G	POWER CABLE ASS'Y		1
0BPA	LOCK KNOB		1	0LSL	CIRCUIT BREAKER SWITCH		1
0G1U	DUST SHIELD		4	0LVH	SWITCH KEY		1
0J3P	WRENCH HEX.	4-64	1	0LVW	ROCKER SWITCH		1
0J3U	WRENCH HEX.	3-90	1	0QEF	MOTOR		1
0J4F	FLAT WASHER	φ 8X16-2.5	1	0QQ0	CLAMP-CORD		1
0J70	FLAT WASHER	1/4X3/4-7/64	2	0SGC	HANDLE BAR		2
0J76	FLAT WASHER	1/4X3/4-1/16	5	0SRX	STIFFENER ASS'Y		1
0J8D	FLAT WASHER	3/8X3/4-5/64	3	0STF	PARRLE RING ASS'Y		2
0J9H	SPRING WASHER	φ 1/4	6	0STQ	HAND WHEEL ASS'Y		1
0JAE	FLAT WASHER	φ 6X13-1	2	0STR	HAND WHEEL ASS'Y		1
0JC9	SPRING PIN	3-18	1	202U	LABEL(Only for 137.248100)		1
0JCA	SPRING PIN	3-24	1	20G2	LABEL(Only for 137.218100)		1
0JCA	SPRING PIN	3-24	1	21CH	CR.RE. PAN HD. SCREW & WASHER	M5X0.8-10	1



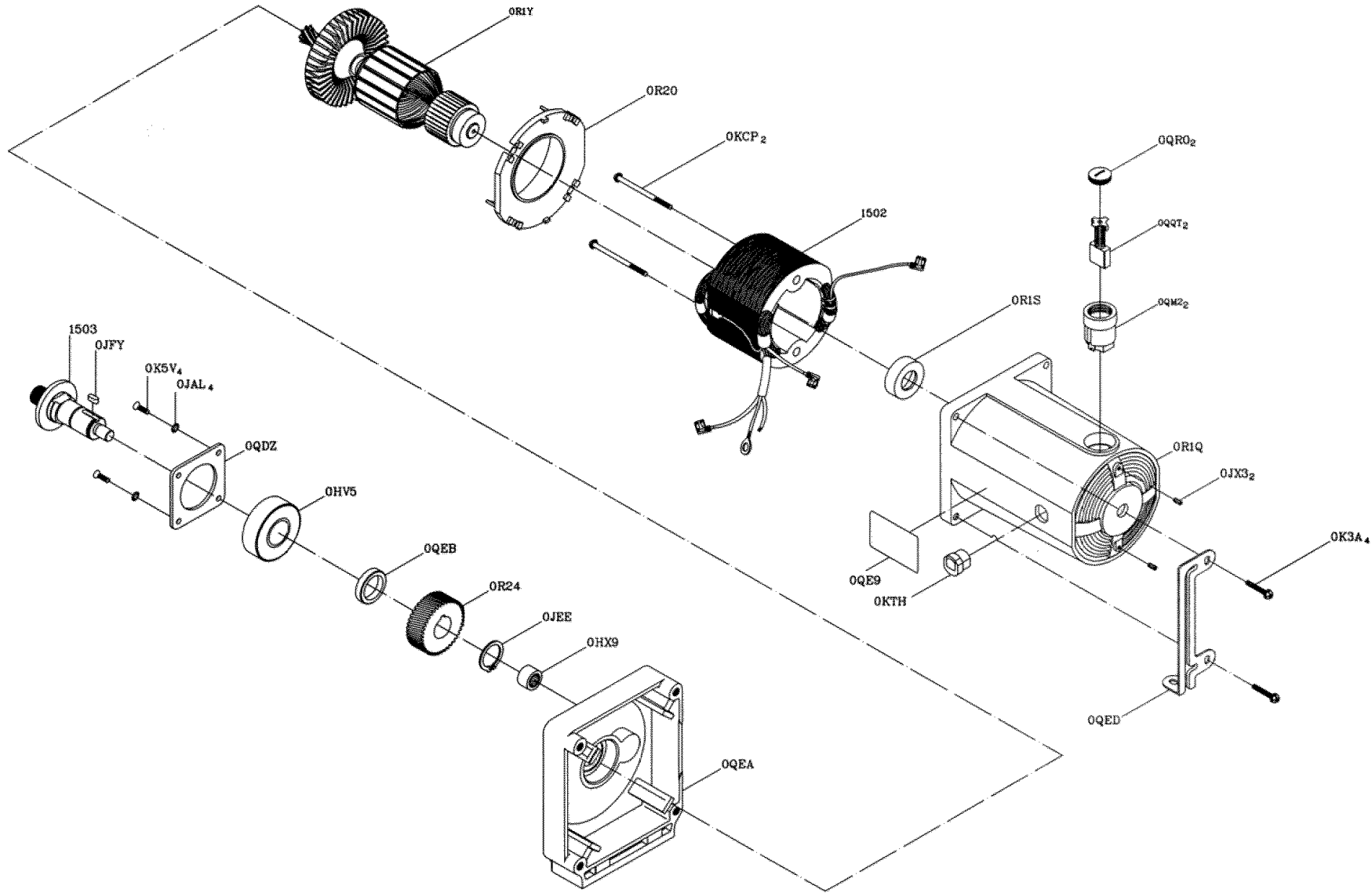


**10" TABLE SAW****MODEL NO. 137.218100/137.248100****Part list for MOTOR**

<b>I.D. NO.</b>	<b>DESCRIPTION</b>	<b>SIZE</b>	<b>QTY</b>
1502	FIELD ASS'Y		1
1503	ARBOR SHAFT		1
0HV5	BALL BEARING	6204LLU	1
0HX9	NEEDLE BEARING		1
0JAL	EXT.TOOTH LOCK WASHER	φ 4	4
0JEE	C-RING		1
0JFY	PARALLEL KEY		1
0JX3	HEX. SOC. SET SCREW	M5X0.8-8	2
0K3A	CR.RE. PAN HD. SCREW & WASHER	M5X0.8-30	4
0K5V	CR.-RE. COUND.HD.SCREW	M4×0.7-8	4
0KCP	CR.RE. PAN HEAD TAPPING & WASHER SCREW	M5*12-60	2
0KTH	STRAIN RELIEF		1
0QDZ	BEARING RETAINER		1
0QE9	MOTOR NAMEPLATE		1
0QEA	BRACKET		1
0QEB	COLLAR		1
0QED	SUPPORT PLATE		1
0QM2	BRUSH HOLDER ASS'Y	Φ27*26.5	2
0QQT	BRUSH ASS'Y		2
0QR0	BRUSH COVER		2
0R1Q	MOTOR HOUSING	6#	1
0R1S	BEARING BUSHING		1
0R1Y	ARMATURE ASS'Y		1
0R20	BAFFLE		1
0R24	HELIX GEAR		1

10" TABLE SAW  
MOTOR

MODEL NO. 137.218100/137.248100



# Get it fixed, at your home or ours!

## Your Home

For repair – **in your home** – of **all** major brand appliances, lawn and garden equipment, or heating and cooling systems, **no matter who made it, no matter who sold it!**

For the replacement parts, accessories and Operator's Manuals that you need to do-it-yourself.

For Sears professional installation of home appliances and items like garage door openers and water heaters.

**1-800-4-MY-HOME® (1-800-469-4663)**

Call anytime, day or night (U.S.A. and Canada)

[www.sears.com](http://www.sears.com)    [www.sears.ca](http://www.sears.ca)

---

## Our Home

For repair of carry-in items like vacuums, lawn equipment, and electronics, call or go on-line for the location of your nearest **Sears Parts & Repair Center.**

**1-800-488-1222**

Call anytime, day or night (U.S.A. only)

[www.sears.com](http://www.sears.com)

---

To purchase a protection agreement on a product serviced by Sears:

**1-800-827-6655** (U.S.A.)

**1-800-361-6665** (Canada)

---

Para pedir servicio de reparación a domicilio, y para ordenar piezas:

**1-888-SU-HOGAR<sup>SM</sup>**  
(1-888-784-6427)

Au Canada pour service en français:

**1-800-LE-FOYER<sup>MC</sup>**  
(1-800-533-6937)  
[www.sears.ca](http://www.sears.ca)



© Registered Trademark / <sup>TM</sup> Trademark / <sup>SM</sup> Service Mark of Sears, Roebuck and Co.

© Marca Registrada / <sup>TM</sup> Marca de Fábrica / <sup>SM</sup> Marca de Servicio de Sears, Roebuck and Co.

<sup>MC</sup> Marque de commerce / <sup>MD</sup> Marque déposée de Sears, Roebuck and Co.

© Sears, Roebuck and Co.

## Free Manuals Download Website

<http://myh66.com>

<http://usermanuals.us>

<http://www.somanuals.com>

<http://www.4manuals.cc>

<http://www.manual-lib.com>

<http://www.404manual.com>

<http://www.luxmanual.com>

<http://aubethermostatmanual.com>

Golf course search by state

<http://golfingnear.com>

Email search by domain

<http://emailbydomain.com>

Auto manuals search

<http://auto.somanuals.com>

TV manuals search

<http://tv.somanuals.com>