

Operator's Manual

CRAFTSMAN®

3.0 HP (Max. Developed)

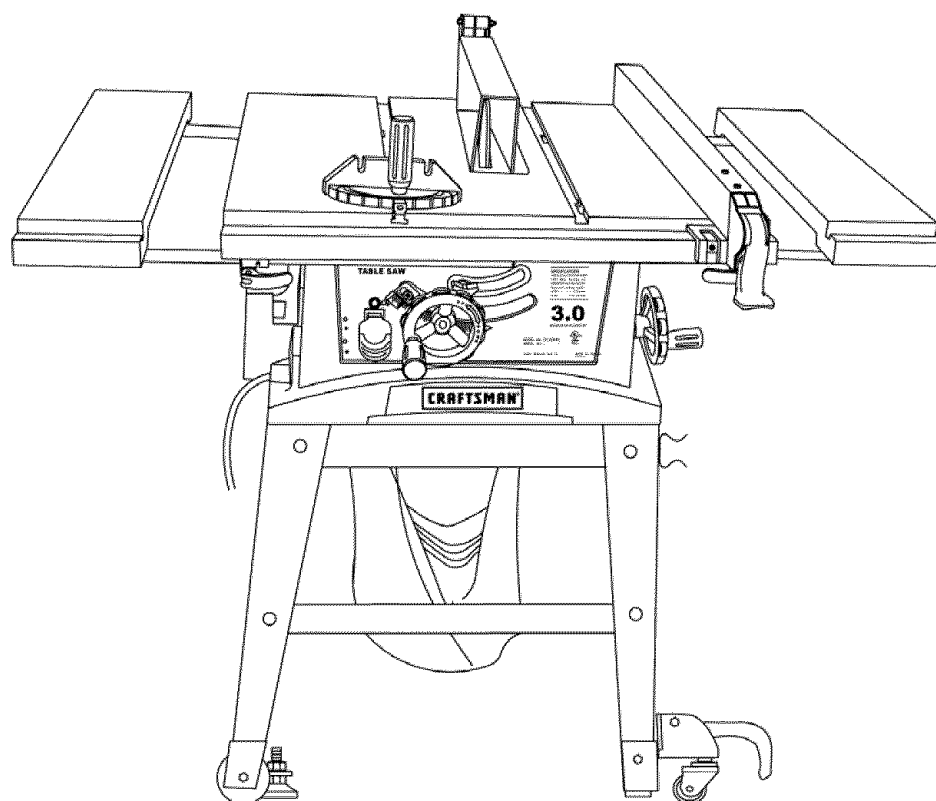
10" Inch Blade

5000 R.P.M.

TABLE SAW

Model No.

137.248830



CAUTION:

Before using this Table Saw, read this manual and follow all its Safety Rules and Operating Instructions

- Safety Instructions
- Installation
- Operation
- Maintenance
- Parts List

Customer Help Line
1-800-843-1682

Sears, Roebuck and Co., Hoffman Estates, IL 60179 USA

Visit our Craftsman website: www.sears.com/craftsman

Part No. 13724883001

TABLE OF CONTENTS

SECTION	PAGE	SECTION	PAGE
Warranty	2	Know Your Table Saw.....	8
Product Specifications	2	Assembly and Adjustments.....	9
Power Tool Safety	3	Operation.....	16
Table Saw Safety.....	4	Maintenance	20
Electrical Requirements and Safety.....	5	Troubleshooting Guide.....	21
Accessories and Attachments.....	6	Parts List	22
Tools Needed For Assembly.....	6	Push Stick Pattern	30
Carton Contents	6		

WARRANTY

FULL ONE YEAR WARRANTY

If this product fails due to a defect in material or workmanship within one year from the date of purchase, Sears will at its option repair or replace it free of charge.

Contact a Sears Service Centre for replacement.

If this product is used for commercial or rental purposes, this warranty applies only for 90 days from the date of purchase.

This warranty is in addition to any statutory warranty.

Sears, Roebuck & Co., Dept. 817 WA, Hoffman Estates, IL 60179

WARNING

Some dust created by power sanding, sawing, grinding, drilling and other construction activities contains chemicals known to the state of California to cause cancer, birth defects or other reproductive harm. Some examples of these chemicals are:

- Lead from lead-based paints
- Crystalline silica from bricks, cement and other masonry products
- Arsenic and chromium from chemically treated lumber

Your risk from these exposures varies, depending on how often you do this type of work. To reduce your exposure to these chemicals, work in a well-ventilated area and work with approved safety equipment such as dust masks that are specially designed to filter out microscopic particles.

PRODUCT SPECIFICATIONS

MOTOR

HP (Maximum developed).....	3.0
Type	Universal
Amps	15
Voltage	120
Hz	60
RPM (no load).....	5000
Overload Protection.....	YES

SAW

Table Size.....	26-7/64" x 19-1/2"
Table Extensions.....	3 – Left, Right, Rear
Extension Rip Capacity.....	24" Right and Left
Blade Size.....	10" Diameter
Arbor Size.....	5/8" Diameter
Rip Fence	Self Aligning
Miter Gauge.....	T-Slotted
Maximum Cut Depth @ 90°..	3"
Maximum Cut Depth @ 45°..	2-1/2"
Maximum Dado Cut Width...	1/2"
Net Weight.....	65 LBS

WARNING

To avoid electrical hazards, fire hazards or damage to the table saw, use proper circuit protection.

This table saw is wired at the factory for 110-120 Volt operation. It must be connected to a 110-120 Volt / 15 Ampere time delay fuse or circuit breaker. To avoid shock or fire, replace power cord immediately if it is worn, cut or damaged in any way.

Before using your table saw, it is critical that you read and understand these safety rules. Failure to follow these rules could result in serious injury to you or damage to the table saw.

POWER TOOL SAFETY

WARNING

Before using your table saw, it is critical that you read and understand these safety rules. Failure to follow these rules could result in serious injury or damage to the table saw.

Good safety practices are a combination of common sense, staying alert and understanding how to use your power tool. To avoid mistakes that could cause serious injury, do not plug in your power tool until you have read and understood the following safety rules:


1. READ and become familiar with this entire Operator's Manual. LEARN the tool's applications, limitations and possible hazards.

2. **WARNING**

Look for this symbol that identifies important safety precautions. It means CAUTION! BECOME ALERT! YOUR SAFETY IS INVOLVED!

3. **NEVER OPERATE THIS MACHINE WITHOUT THE SAFETY GUARD IN PLACE FOR ALL THROUGH SAWING OPERATIONS.**
4. **DO NOT USE IN A DANGEROUS ENVIRONMENT** such as damp or wet locations or exposure to rain. Keep work area well lighted.
5. **DO NOT** use power tools in the presence of flammable liquids or gases.
6. **KEEP WORK AREA CLEAN.** Cluttered areas and benches invite accidents.
7. **KEEP CHILDREN AWAY.** All visitors should be kept at a safe distance from the work area.
8. **DO NOT FORCE THE TOOL.** It will do the job better and safer at the rate for which it was designed.
9. **USE THE RIGHT TOOL.** Don't force the tool or attachment to do a job for which it is not designed.
10. **WEAR PROPER APPAREL.** **DO NOT** wear loose clothing, gloves, neckties, rings, bracelets or other jewelry that may get caught in moving parts. Non-slip footwear is recommended. Wear protective hair covering to contain long hair.
11. **WEAR A FACE MASK OR DUST MASK.** Sawing, cutting and sanding operations produce dust.
12. **DISCONNECT TOOLS** before servicing and when changing accessories such as blades, cutters, etc.
13. **REDUCE THE RISK OF UNINTENTIONAL STARTING.** Make sure the switch is in the OFF position before plugging into the power supply.
14. **USE ONLY RECOMMENDED ACCESSORIES.** Consult the Operator's Manual for recommended accessories. The use of improper accessories may cause injury to you or damage to the tool.
15. **REMOVE ADJUSTING KEYS AND WRENCHES.** Form the habit of checking to see that keys and adjusting wrenches are removed from the tool before turning ON.
16. **NEVER LEAVE TOOL RUNNING UNATTENDED.** **TURN THE POWER "OFF".** Do not leave the tool before it comes to a complete stop.
17. **NEVER STAND ON THE TOOL.** Serious injury could occur if the tool is tipped or if the cutting tool is unintentionally contacted.
18. **DO NOT OVERREACH.** Keep proper footing and balance at all times.
19. **MAINTAIN TOOLS WITH CARE.** Keep tools sharp and clean for most efficient and safest performance. Follow instructions for lubricating and changing accessories.
20. **CHECK FOR DAMAGED OR LOOSE PARTS.** Before further use of the tool, a guard or other part that is damaged should be carefully checked to ensure it will operate properly and perform its intended function. Check for alignment of moving parts, binding of moving parts, loose mounting and any other conditions that may affect its safe operation. A guard or other part that is loose or damaged should be properly adjusted repaired or replaced.
21. **MAKE WORKSHOP CHILD PROOF** with padlocks, master switches or by removing starter keys.
22. **DO NOT** operate the tool if you are under the influence of any drugs, alcohol or medication that could impair your ability to use the tool safely.
23. **ALWAYS WEAR EYE PROTECTION.** Any power tool can throw foreign objects into your eyes that could cause permanent eye damage. **ALWAYS** wear safety goggles (not glasses) that comply with ANSI safety standard Z87.1. Everyday glasses have only impact resistant lenses. They **ARE NOT** safety glasses.
NOTE: Glasses or goggles not in compliance with ANSI Z87.1 could cause serious injury when they break.
24. **DIRECTION OF FEED.** Feed work into a blade or cutter against the direction of rotation of the blade or cutter only.

TABLE SAW SAFETY

1. ALWAYS USE SAW BLADE GUARD, splitter and anti-kickback pawls for every operation for which they can be used, including through sawing. Through sawing operations are those in which the blade cuts completely through the workpiece when ripping or crosscutting.
2. ALWAYS HOLD WORK FIRMLY against the miter gauge or rip fence.
3. USE A PUSH STICK. Always use a push stick especially when ripping narrow stock. Refer to ripping instructions in this Operator's Manual where the push stick is covered in detail. A pattern for making your own push stick is included on page 30.
4. **NEVER PERFORM ANY OPERATION FREE HAND, which means using only your hands to support or guide the workpiece. Always use either the fence or the miter gauge to position and guide the work.**
 WARNING
WARNING: FREEHAND CUTTING IS THE MAJOR CAUSE OF KICK-BACK & FINGER/HAND AMPUTATIONS.
5. NEVER STAND or have any part of your body in line with the path of the saw blade. Keep your hands out of the saw blade path.
6. NEVER REACH behind or over the cutting tool for any reason.
7. REMOVE the rip fence when crosscutting.
8. DO NOT USE a molding head with this saw.
9. FEED WORK INTO THE BLADE against the direction of rotation only.
10. NEVER use the rip fence as a cut-off gauge when crosscutting.
11. NEVER ATTEMPT TO FREE A STALLED SAW BLADE without first turning the saw OFF. Turn power switch OFF immediately to prevent motor damage.
12. PROVIDE ADEQUATE SUPPORT to the rear and the sides of the saw table for long or wide workpieces.
13. AVOID KICKBACKS (work thrown back towards you) by keeping the blade sharp, the rip fence parallel to the saw blade and by keeping the splitter, anti-kickback pawls and guards in place, aligned and functioning. Do not release work before it has passed all the way past the saw blade. Do not rip work that is twisted, warped or does not have a straight edge to guide it along the fence.
14. AVOID AWKWARD OPERATIONS and hand positions where a sudden slip could cause your hand to move into the saw blade.
15. NEVER USE SOLVENTS to clean plastic parts. Solvents could possibly dissolve or otherwise damage the material. Only a soft damp cloth should be used to clean plastic parts.
16. MOUNT your table saw on a bench or stand before performing any cutting operations. Refer to ASSEMBLY AND ADJUSTMENTS on page 9.
17. NEVER CUT METALS or materials which may make hazardous dust.
18. ALWAYS USE IN WELL-VENTILATED AREA. Remove sawdust frequently. Clean out sawdust from the interior of the saw to prevent a potential fire hazard.
19. NEVER LEAVE THE SAW RUNNING UNATTENDED. Do not leave the saw until it comes to a complete stop.
20. Failure to provide sawdust fall-through and removal hole (if mounting the saw onto a solid surface) will allow sawdust to build up in the motor area resulting in a fire hazard and potential motor damage (Please refer to page 10 for details).

ELECTRICAL REQUIREMENTS AND SAFETY

POWER SUPPLY REQUIREMENTS

⚠ WARNING

To avoid electrical hazards, fire hazards or damage to the table saw, use proper circuit protection. Always use a separate electrical circuit for your tools. This power tool is wired at the factory for 120V operation. Connect it to a 120V, 15 Amp circuit and use a 15 Amp time delay fuse or circuit breaker. To avoid shock or fire, replace the cord immediately if it is worn, cut or damaged in any way.

EXTENSION CORD REQUIREMENTS

⚠ WARNING

Any extension cord must be **GROUND**ED for safe operation.

MINIMUM GAUGE FOR EXTENSION CORDS (AWG type / 120 Volt only)					
Ampere Rating		Total length in feet			
More Than	Not More Than	25'	50'	100'	150'
0	6	18	16	16	14
6	10	18	16	14	12
10	12	16	16	14	12
12	16	14	12	Not Applicable	

GUIDELINES FOR EXTENSION CORDS

Any extension cord used for power tools **MUST** be grounded (3-wire with two flat prongs and one round ground prong).

Make sure the extension cord is in good condition. When using an extension cord, make sure you use one heavy enough to carry the current the tool will draw. An undersized cord will cause a drop in line voltage resulting in loss of power and overheating. The table above shows the correct size to use according to extension cord length and nameplate ampere rating. If in doubt, use the next heavier gauge cord. The smaller the gauge number the heavier the cord.

NOTE: The 12 to 16 Amp rating is correct for this tool. It is highlighted in the table above.

Be sure your extension cord is properly wired and in good condition. Always replace a damaged extension cord or have it repaired by a qualified person before using it. Protect your extension cords from sharp objects, excessive heat and damp or wet areas.

Before connecting the saw to the extension cord, make sure the saw switch is turned OFF.

GROUNDING INSTRUCTIONS

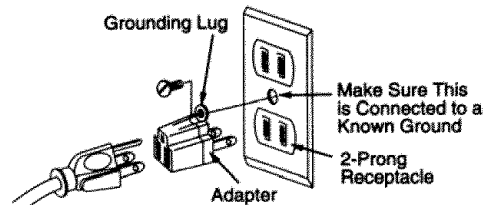
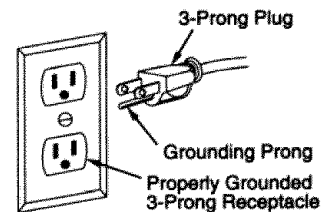
IN THE EVENT OF A MALFUNCTION OR BREAKDOWN, grounding provides a path of least resistance for electric current and reduces the risk of electric shock. This saw is equipped with an electric cord that has an equipment grounding conductor and a grounding plug. The plug **MUST** be plugged into a matching receptacle that is properly installed and grounded in accordance with ALL local codes and ordinances.

DO NOT MODIFY THE PLUG PROVIDED. If it will not fit the receptacle, have the proper receptacle installed by a qualified electrician.

IMPROPER CONNECTION of the equipment grounding conductor can result in risk of electric shock. The conductor (wire) with the green insulation (with or without yellow stripes) is the equipment grounding conductor. If repair or replacement of the electric cord or plug is necessary, **DO NOT** connect the equipment grounding conductor to a live terminal.

CHECK with a qualified electrician or service personnel if you do not completely understand the grounding instructions, or if you are not sure the saw is properly grounded.

Use only 3-wire extension cords that have 3-prong grounding plugs and 3-pole grounding receptacles that accept the saw's plug. Repair or replace damaged or worn cords immediately.



ACCESSORIES AND ATTACHMENTS

RECOMMENDED ACCESSORIES

▲ WARNING

Visit your Sears Hardware Department or see the Craftsman Power and Hand Tools Catalog to purchase recommended accessories for this power tool.

▲ WARNING

To avoid the risk of personal injury:

- Do not use adjustable (wobble) type dados or carbide tipped dado blades; maximum dado width is 1/2".
- Do not use a dado with a diameter larger than 6".
- Do not use molding head set with this saw.
- Do not modify this power tool or use accessories not recommended by Sears.

TOOLS NEEDED FOR ASSEMBLY

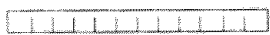
TOOLS NEEDED



Medium screwdriver



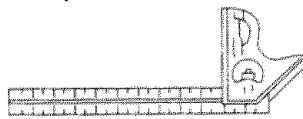
#2 Phillips screwdriver



Straight edge



Adjustable wrench



Combination square

CARTON CONTENTS

UNPACKING AND CHECKING CONTENTS

Separate all parts from packing materials. Check each part with the illustration on the next page and the "Table of Loose Parts" to make certain all items are accounted for, before discarding any packing material.

▲ WARNING

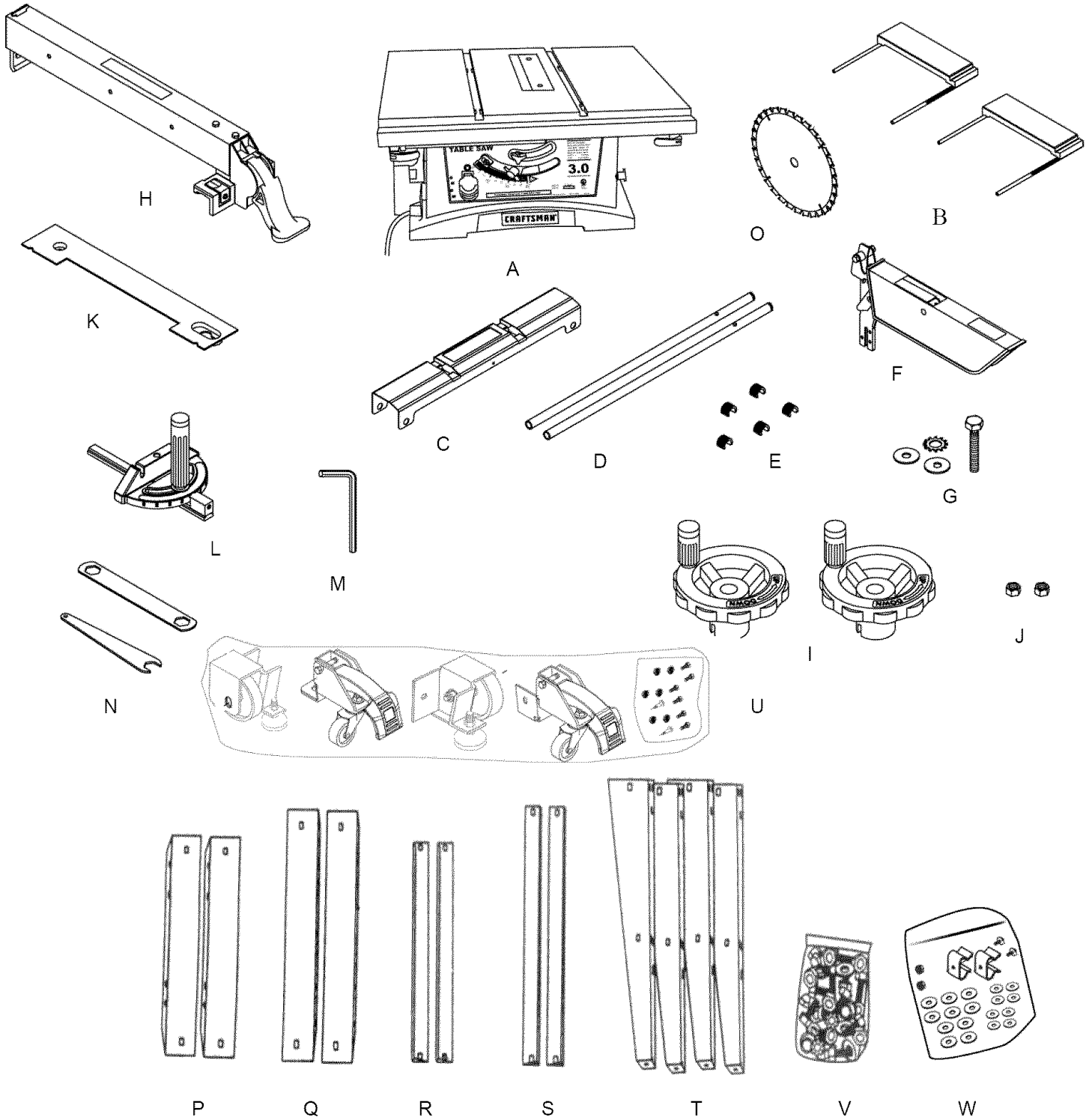
If any part is missing or damaged, do not attempt to assemble the table saw, plug in the power cord, or turn the switch ON until the missing or damaged part is obtained and is installed correctly.

TABLE OF LOOSE PARTS

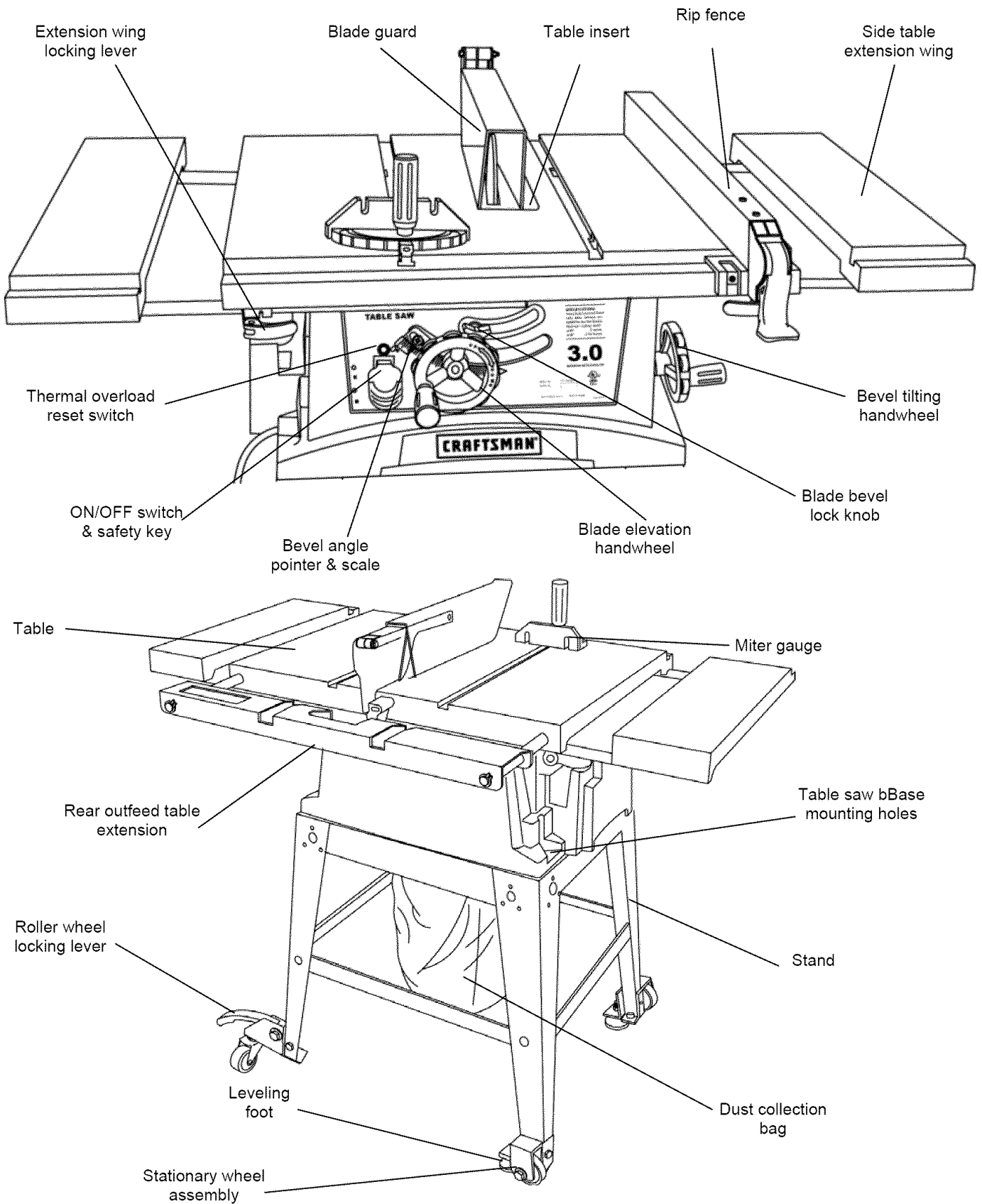
<u>ITEM</u>	<u>DESCRIPTION</u>	<u>QUANTITY</u>
A.	Table saw assembly	1
B.	Table extension	2
C.	Rear table extension	1
D.	Rear table extension tube	2
E.	Location seat	5
F.	Blade guard and splitter	1
G.	Guard Mounting bolt, flat washer, toothed washer, oval washer, spring wasjer	1 each
H.	Rip fence	1
I.	Hand wheels	2
J.	Dome nuts	2
K.	Dado table insert	1
L.	Miter gauge	1
M.	Hex keys	1
N.	Blade wrenches	2
O.	Blade	1
X.	Dust chute	1
Y.	Dust bag	1
<u>STAND</u>		
P.	Top short leg bracket	2
Q.	Top long leg bracket	2
R.	Bottom short bracket	2
S.	Bottom long bracket	2
T.	Legs	4
U.	Roller wheel assemblies & mounting hardware	1
V.	Stand mounting hardware	1
W.	Fence storage hardware & Parallel washers	1

NOTE: To make assembly easier, keep contents of box together. Apply a coat of automobile wax to the table. Wipe all parts thoroughly with a clean dry cloth. This will reduce friction when pushing the workpiece.

UNPACKING YOUR TABLE SAW



KNOW YOUR TABLE SAW



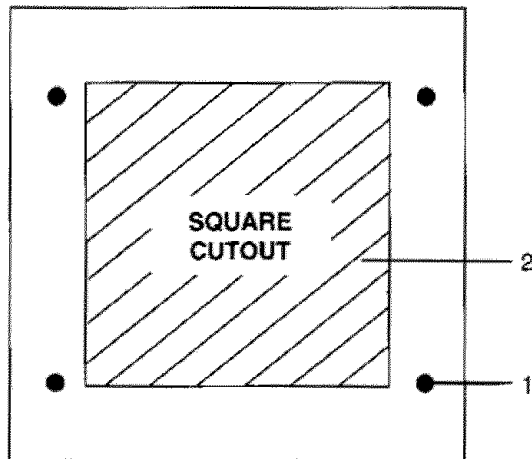


SAW MOUNTED TO WORK SURFACE (FIG. C)

1. If the leg set will not be used, the saw must be properly secured to a sturdy workbench using the four mounting holes at the base of the saw.
2. The surface of the table where the saw is to be mounted must have a hole large enough to facilitate sawdust fall-through and removal.
3. Square the saw on the mounting surface and mark the location of the four 3/8" mounting holes (1).
4. Drill four 3/8" holes into the mounting surface.
5. Mark an 11" square (2) centered between the four mounting holes (1).
6. Cut out and remove the square.
7. This opening will allow sawdust to fall through the saw base.
8. Place the saw on the work surface, and align the mounting holes of the saw with those drilled through the surface.
9. Fasten the saw to the work surface.

▲ WARNING

Do not operate this machine on the floor. This is very dangerous and may cause serious injury.
Fig. C



▲ WARNING

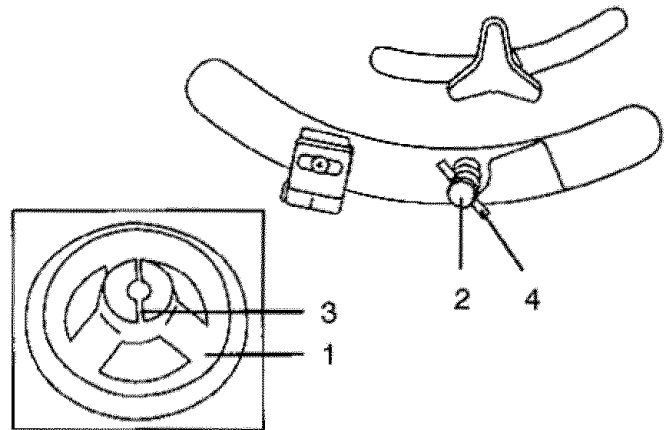
Failure to provide the sawdust fall-through hole will cause sawdust to build up in the motor area, which may result in fire or cause motor damage.

Place the dust bag neck opening around the dust chute and tie the dust bag with string.

BLADE RAISING HANDWHEEL (FIG. E, F)

1. Attach the handwheel (1) to the elevation screw (2) at the front of the saw.
Make sure the slots (3) in the hub of the handwheel engage with the pins (4). (Fig. E)
2. Attach and tighten the dome nut (5) at the end of the shaft (Fig. F).

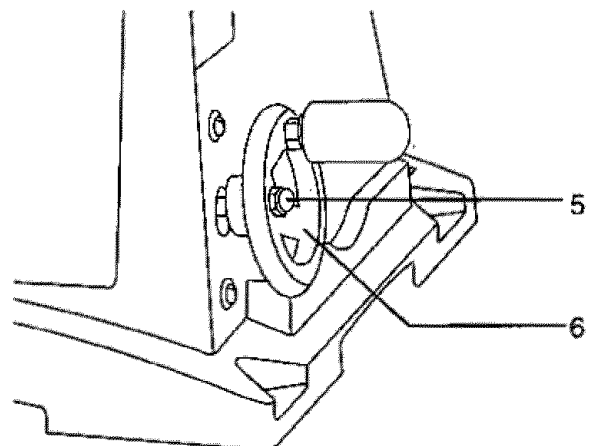
Fig. E



BLADE TILTING HANDWHEEL (FIG. G, F)

1. Attach the other handwheel (6) to the blade tilting screw on the side of the saw in the same manner as above.
2. Attach and tighten the handwheel dome nut (5).

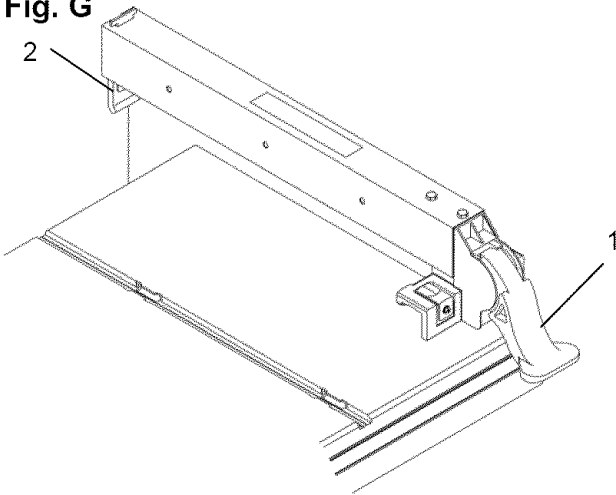
Fig. F



RIP FENCE (Fig. G)

1. Lift upward on the rip fence handle (1) so that the holding clamp (2) is fully extended.
2. Place the rip fence on the saw table. Lowering the front of the fence onto the table first.
3. Push down on the fence handle (1) to lock.

Fig. G

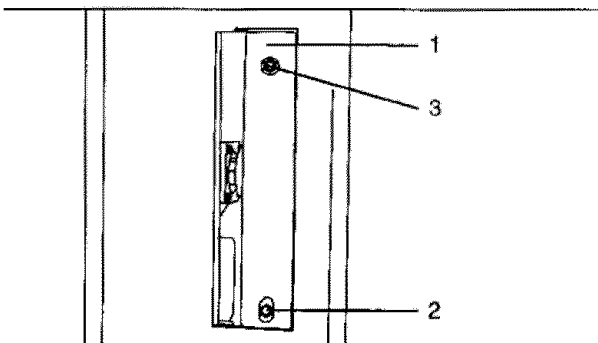


INSTALLING AND CHANGING THE BLADE (FIG. H, I, J)

⚠ WARNING

- To avoid injury from an accidental start, make sure the switch is in the OFF position and the plug is not connected to the power source outlet.
 - To avoid serious injury, table insert must be level with the table. If the table insert is not level with the table, adjust the screw (3) until it is level with the table. To raise the insert, turn the screw counterclockwise, to lower the insert, turn the screw clockwise.
1. Remove the table insert (1) by unscrewing the two screws (2, 3). Be careful not to lose the rubber washer that is on the back screw (3) beneath the table insert. (Fig. H)

Fig. H

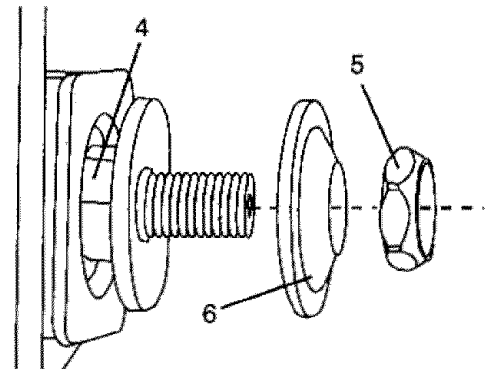


1. Raise the blade arbor (4) (Fig. I) to the maximum height by turning the blade raising handwheel counterclockwise.
2. Remove the arbor nut (5) and flange (6), and then remove the blade.
3. Install the saw blade onto the arbor with the blade teeth pointing toward the front of the saw.
4. Install the flange (6) against the blade and thread the arbor nut (5) as far as possible by hand making the flat side of the nut is against the blade. Ensure that the blade is flush against the inner side of the blade flange.

⚠ WARNING

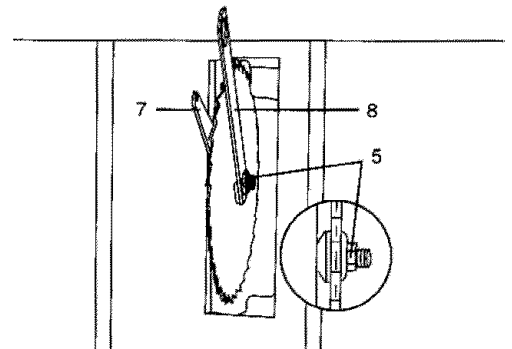
To avoid possible injury and damage to the workpiece be sure to install the blade with the teeth pointing toward the front of table in the direction of the rotation arrow on the blade guard.

Fig. I



5. To tighten the arbor nut (5) place the open-end wrench jaws on the flats of the saw arbor to keep the arbor from turning. (Fig. J)
6. Place the box-end wrench (8) on the arbor nut (5), and turn clockwise (to the rear of the saw table).
7. Replace the blade insert in the table recess, insert the screws through the front and rear holes and tighten.

Fig. J



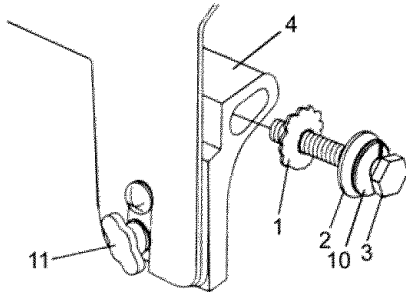
⚠ WARNING

To avoid injury from a thrown workpiece, blade parts, or blade contact, never operate saw without the proper insert in place. Use the saw blade insert when sawing. Use the dado head insert when using a dado.

BLADE GUARD ASSEMBLY (FIG. K, L, M)

1. Set the blade to maximum height and the tilt to zero degrees on the bevel scale with the hand wheels. Lock the blade lock knob.
2. Place the external toothed lock washer (1), a steel flat washer (2) and a spring washer (10) onto the long hex head bolt (3). Insert the bolt into the splitter bracket (4) as shown. (Fig. K)

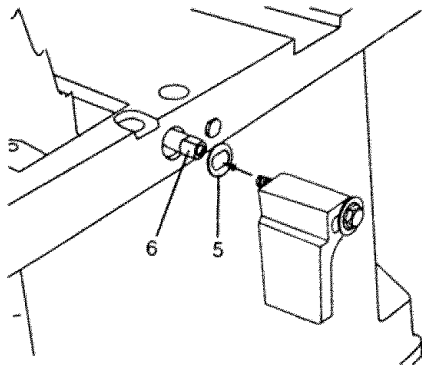
Fig. K



3. Place the oval washer (5) on the pivot rod (6). (Fig. L)
4. Install the bracket assembly (4) at the rear of the saw table and snugly – do not tighten. Thread the bolt (3) into the internally threaded pivot rod.

NOTE: The splitter is removed from the illustration for clarity.

Fig. L



5. Raise the blade to the maximum height. (Fig. M)
6. Using a straight edge, check to see if the blade guard splitter (8) is aligned with the saw blade (9). Make sure the straight edge lies between the teeth of the blade when aligning.
7. If straightening adjustment is necessary, loosen the bolt (3) and shift the splitter assembly to right or left for proper alignment.
8. When the splitter is properly aligned with the saw blade, tighten the bolt, very tight.
9. If height adjustment is necessary, loosen the knob (11) and raise the splitter assembly to the desired height and tighten the knob. (Fig. K)

NOTE: The splitter must always be correctly aligned so that the cut workpiece will pass on either side without binding or twisting to the side.

▲ WARNING

Improper splitter alignment can cause “kickback” and serious injury.

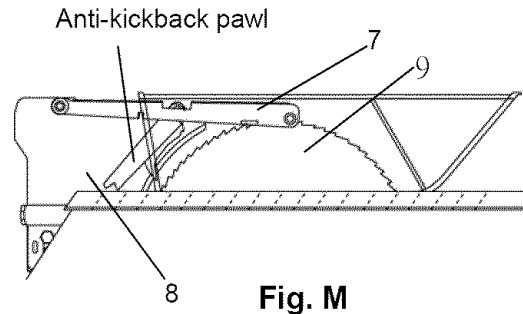


Fig. M

INSTALLING TABLE SIDE EXTENSIONS (FIG. N)

1. Identify the right hand table extension.

NOTES:
For illustration purposes the view in Fig. N looks “through” the saw table to the under side of the table.
The right hand table extension is the one with the measuring scale (1) visible from the front of the saw when it is installed to the right hand side of the saw table (Fig. N).
2. Unlock both front and rear cam locking levers (2) on the right hand side of the saw base.
3. Insert the table extension mounting tubes (3) into the two matching holes in the cam lever assemblies.

NOTE: Make sure the front mounting tube has the measuring scale visible from the front of the saw.
4. Slide the table extension toward the table until it rests against the saw table.
5. Place the location seat on the rear side extension tube.
6. Lock both cam locking levers.

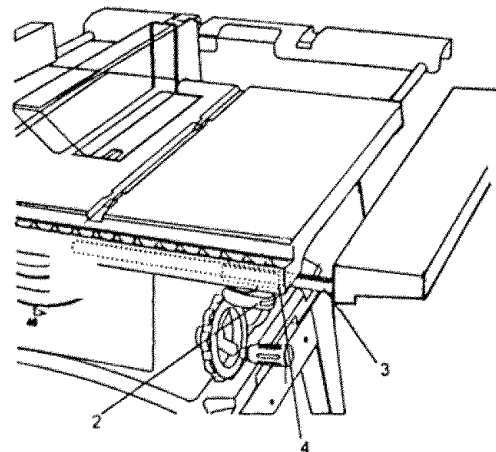


Fig. N

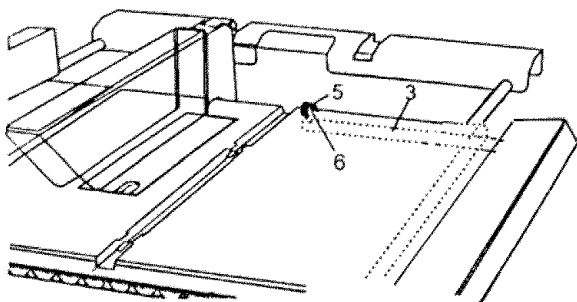
INSTALLING THE TABLE SIDE EXTENSIONS- cont'd (FIG. O)

6. Snap one location seat (5) over the end of the rear table extension tube (3). Make sure the locating pin (6) in the location seat fits into the matching hole in the extension tube (Fig. O).
7. Install the left hand table extension in a similar way.

NOTE:

For illustration purposes the view in Fig. O looks "through" the saw table to the under side of the table.

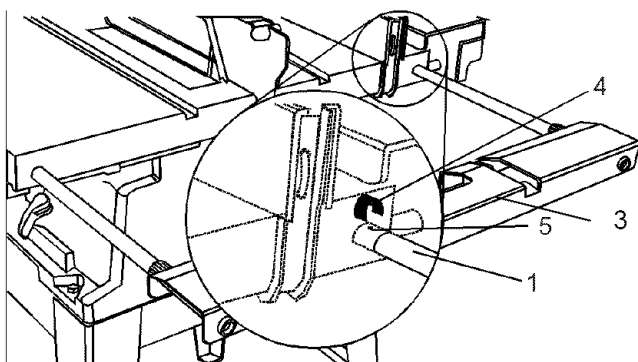
Fig. O



INSTALLING REAR TABLE EXTENSION (FIG. P)

1. Place the rear table extension onto the two rear table extension tubes (1).
2. Snap two location seats (4) over the two rear table extension tubes (1). Make sure the locating pin in the location seat fits into the matching hole (5) in the extension tube.
3. Insert rear table extension tubes (1) into the two holes in the rear of the saw table and into extension tube brackets under the table. Position rear table support so instruction labels are up.
4. Snap one location seat (4) over the end of the left rear table extension tube (1). Make sure the locating pin in the location seat fits into the matching hole in the extension tube.

Fig. P



ADJUSTING REAR TABLE EXTENSION

1. Rear table extension should be positioned as close as possible to the rear of the table when ripping short work pieces.
2. Rear table extension should be pulled out fully until the location seat prevents it from moving outward when ripping long work pieces that require extra support as you are completing the cut.

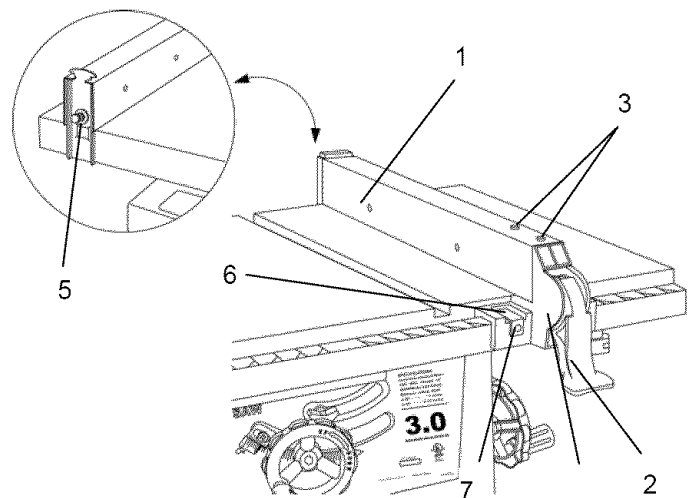
RIP FENCE ADJUSTMENT (FIG. Q)

1. The fence (1) is moved by lifting up on the handle (2) and sliding the fence to the desired location. Pushing down on the handle locks the fence in position.
2. Position the fence on the right side of the table, and along the miter gauge groove.
3. Lock the fence handle. The fence should be parallel with the miter gauge groove.
4. If adjustment is needed to make the fence parallel to the groove, do the following:
 - Loosen the two screws (3) and lift up on the handle (2).
 - Hold the fence bracket (4) firmly against the front of the saw table. Move the far end of the fence until it is parallel with the miter gauge groove.
 - Tighten both screws and push the handle to lock.
5. If fence is loose when the handle is in the locked (downward) position, do the following:
 - Move the handle (2) upward and turn the adjusting nut (5) clockwise until the rear clamp is snug. Do not turn the adjusting screw more than 1/4 turn at a time.
 - Over-tightening the adjusting screw will cause the fence to come out of alignment.

▲ WARNING

Failure to properly align fence can cause "kickback" and serious injury.

Fig. Q



RIP FENCE INDICATOR ADJUSTMENT (FIG. Q)

1. The rip fence indicator (6) points to the measurement scale. The scale shows the distance from the side of the fence to nearest side of the blade.
2. Measure the actual distance with a rule. If there is a difference between the measurement and the indicator, adjust the indicator (6).
3. Loosen the screw (7) and slide the indicator to the correct measurement on the scale. Tighten the screw and remeasure with the rule.

▲ WARNING

To avoid injury from an accidental start, make sure the switch is in the OFF position and the plug is not connected to the power source outlet.

ADJUSTING THE 90° AND 45° POSITIVE STOPS (FIG. Q-1, Q-2, Q-3)

Your saw has positive stops that will quickly position the saw blade at 90° to the table. Make adjustments only if necessary.

90° Stop

1. Disconnect the saw from the power source.
2. Turn the blade elevation handwheel and raise the blade to the maximum elevation.
3. Loosen the blade bevel lock handle (2) and move the blade to the maximum vertical position. Tighten the lock handle (2).
4. Place a combination square on the table and against the blade (1) to determine if the blade is 90° to the table. (Fig. Q-2)
5. If the blade is not 90° to the table, loosen the two set screws (4), located underneath the table saw, (Fig. Q-3) with the hex key, and back off the collar..
6. Loosen the bevel lock knob. Turn the blade tilting handwheel to move the blade until it is 90° to the table.
7. Adjust the collar (5) so it contacts the bracket (3) when the blade is 90° to the table. Tighten the two set screws (4).

Fig. Q-1

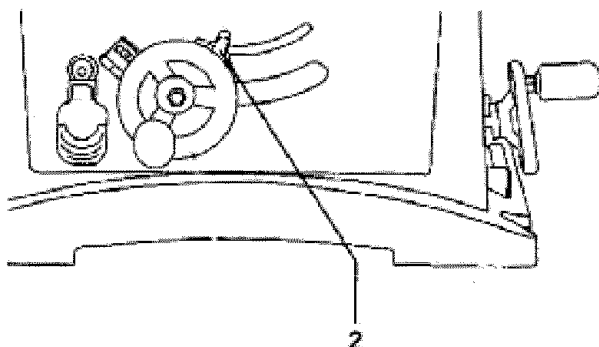
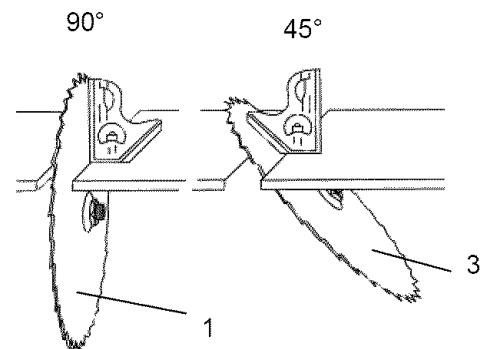


Fig. Q-2



45° Stop

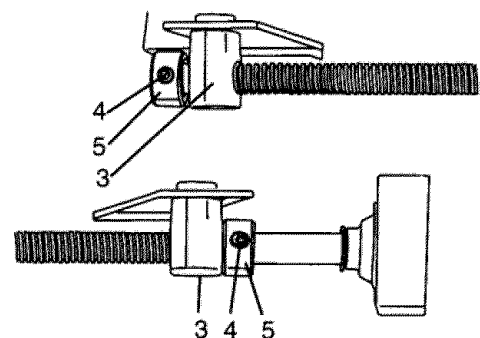
1. With the blade in the upright 90° position, loosen the bevel lock knob and move the blade to the 45° position as far as it will go.
2. Place the combination square on the table as shown in (Fig. Q-2) to check if the blade is 45° to the table.
3. If the blade is not 45° to the table, loosen the two set screws (4) (Fig. Q-3) with the hex key. Back-off the collar (5) then align the blade 45° to the table, adjust the collar (5) so it contacts the bracket (3).
4. Retighten the two set screws (4).

BLADE TILTING POINTER

1. When the blade is positioned at 90°, adjust the blade tilting pointer to read 0° on the scale.
2. Loosen the holding screw, position pointer over 0° and tighten the screw.

NOTE: Make a trial cut on scrap wood before making critical cuts. Measure for exactness.

Fig. Q-3



BLADE PARALLEL TO THE MITER GAUGE GROOVE (FIG. R,S)

▲ WARNING

This adjustment was made at the factory, but it should be rechecked and adjusted if necessary.

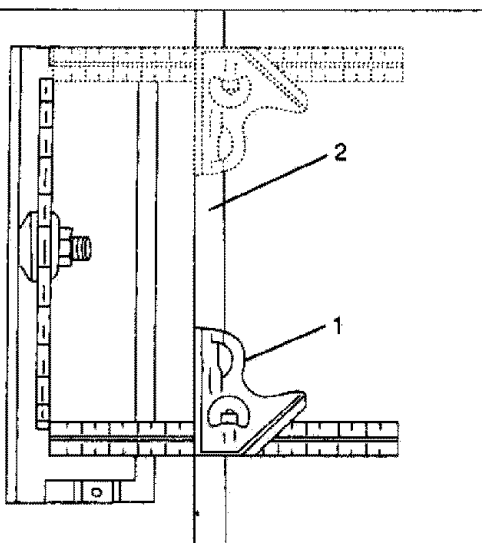
▲ WARNING

To prevent personal injury:

- Always disconnect plug from the power source when making any adjustments.
- This adjustment must be correct or kickback could result in a serious injury and accurate cuts can not be made.

1. Remove the yellow switch key and unplug the saw.
2. Move the blade guard out of the way.
3. Raise the blade to the highest position and set at the 0° angle (90° straight up).
4. Select and mark, with a felt tip marker, a blade tooth having a "right set". Angle and positioning this tooth 1/2" above the table at the front of the saw.
5. Place the combination square base (1) into the right side miter gauge groove (2). (Fig. R)
6. Adjust the rule so it touches the front marked tooth and lock ruler so it holds its position in the square assembly.
7. Rotate the blade bringing the marked tooth to the rear and about 1/2 inch above the blade.
8. Carefully slide the combination square to the rear until the ruler touches the marked tooth.
9. If the ruler touches the marked tooth at the front and rear position, no adjustment is needed at this time. If not, perform the adjustment procedure described in next section.

Fig. R



Additional blade adjustments (Fig. S)

NOTE: The adjusting nuts are 8mm.

The adjusting mechanism is located above the blade height adjusting hand wheel under the tabletop. If the front and rear measurements are not the same, adjust the alignment by the mechanism as follows:

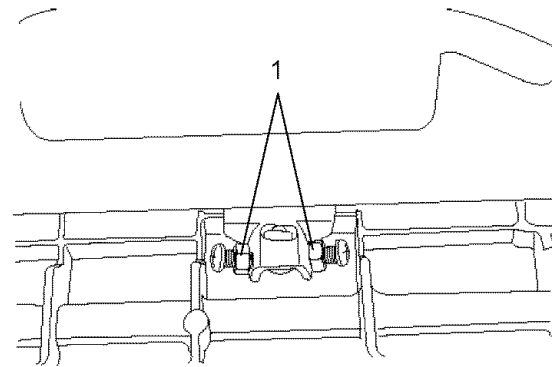
If the blade is partial to right side:

1. Loosen the two nuts (1) and the right side screw, then adjust the left side screw.
2. Tighten the nuts (1) and the right screw and remeasure, as described in steps 4 to 9 in the prior section.

If the blade is partial to left side:

3. Loosen the two nuts (1) and the left side screw, then adjust the right screw to its position.
4. Tighten the nuts (1) and the left screw and remeasure, as described in steps 4 to 9 in the prior section.
5. Recheck blade clearance making sure that the blade does not hit the table insert or other parts when at the 90° and 45° settings.

Fig. S



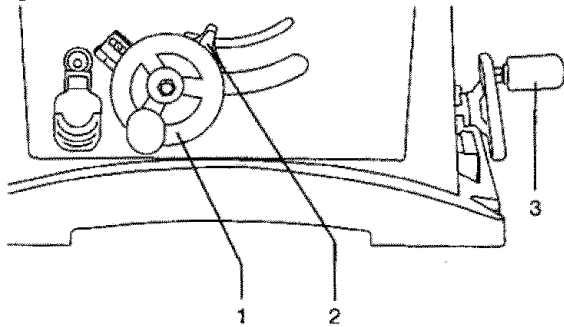
OPERATION

BASIC SAW OPERATIONS

RAISE THE BLADE (FIG. T)

To raise or lower the blade, turn the blade elevation handwheel (1) to the desired blade height, and then tighten lock handle (2) to maintain the desired blade angle.

Fig. T



TILTING THE BLADE (FIG. T)

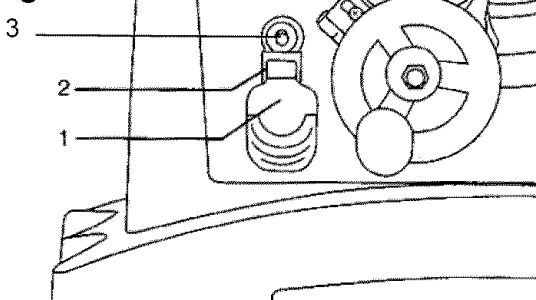
1. To tilt the saw blade for bevel cutting, loosen the lock knob (2) and turn the tilting handwheel (3).
2. Tighten the lock knob (2) to secure.

ON/OFF SWITCH (FIG. U)

The ON / OFF switch has a removable safety key. With the key removed from the switch, unauthorized and hazardous use by children and others is minimized.

1. To turn the saw ON, insert key (1) into the slot in the switch (2). Move the switch upward to the ON position.
2. To turn the saw OFF, move the switch downward.
3. To lock the switch in the OFF position, grasp the sides (or yellow part) of the switch toggle (1), and pull it out.
4. With the switch key removed, the switch will not operate.
5. If the switch key is removed while the saw is running, it can be turned OFF but cannot be restarted without re-inserting the switch key (1).

Fig. U



OVERLOAD PROTECTION (FIG. U)

This saw has an overload relay button (3) that resets the motor after it shuts off due to overloading or low voltage. If the motor stops during operation, turn the ON / OFF switch to the OFF position. Wait about five minutes for the motor to cool. Push in the reset button (3) and turn the switch to the ON position.

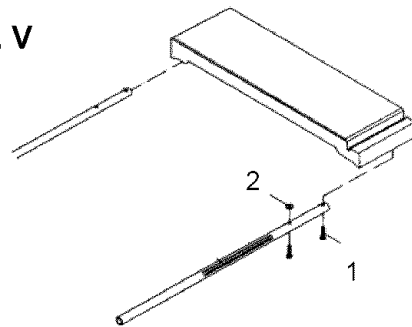
⚠ WARNING

To avoid injury, the ON / OFF switch should be in the OFF position and the plug removed from the power source while the cool down takes place, to prevent accidental starting when the reset button is pushed. Overheating may be caused by misaligned parts or a dull blade or undersized extending cord. Inspect your saw for proper setup before using it again.

USING THE TABLE EXTENSION (FIG. V, V-1)

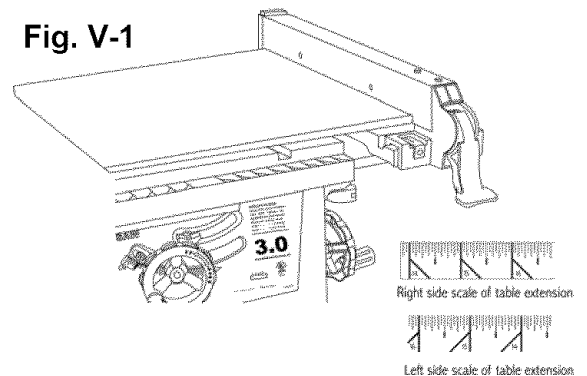
If the table extension is not parallel with the table. Remove the bolts (1) and position the parallel washers (2) between the table extension and tube until it is parallel with the table, then tighten the bolts. **NOTE:** Parallel washer (2) see page 6 for table of loose parts ITEM: W-2

Fig. V



1. Release the extension lock handles.
2. Slide the extension out until the correct measurement is displayed on the tube scale. The user sights the scale off the edge of the table.
3. Tighten all extension lock handles.

Fig. V-1



CUTTING OPERATIONS

There are two basic types of cuts: ripping and crosscutting. Ripping is cutting along the length and the grain of the workpiece. Crosscutting is cutting either across the width or across the grain of the workpiece. Neither ripping nor crosscutting may be done safely freehand. Ripping requires the use of the rip fence, and crosscutting requires the miter gauge.

WARNING

Before using the saw each and every time, check the following:

1. Blade is tight on the arbor.
2. Bevel angle lock knob is tight.
3. If ripping, fence knob is tight and fence is parallel to the miter gauge grooves.
4. Blade guard is in place and working properly.
5. Safety glasses are being worn.

The failure to adhere to these common safety rules, and those printed in the front of this manual, can greatly increase the likelihood of injury.

RIPPING (FIG. W, X)

WARNING

To prevent serious injury:

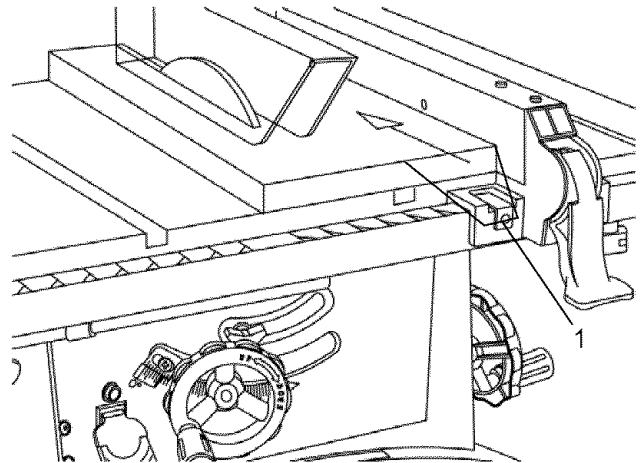
- Never use the miter gauge when ripping.
- Never use more than one rip fence during a single cut.
- Do not allow familiarity or frequent use of your table saw to cause careless mistakes. Remember that even a careless fraction of a second is enough to cause a severe injury.
- Keep both hands away from the blade and path of the blade.
- The workpiece must have a straight edge against the fence and must not be warped, twisted, or bowed.

1. Remove the miter gauge. Secure the rip fence to the table.
2. Raise the blade so it is about 1/8" higher than the top of the workpiece.
3. Place the workpiece flat on the table and against the fence. Keep the workpiece away from the blade.
4. Turn the saw ON and wait for the blade to come up to speed.
5. Slowly feed the workpiece into the blade by pushing forward only on the workpiece section (1) that will pass between the blade and the fence. (Fig. W)

WARNING

AVOID KICKBACK by pushing forward on the section of the workpiece that passes between the blade and the fence.

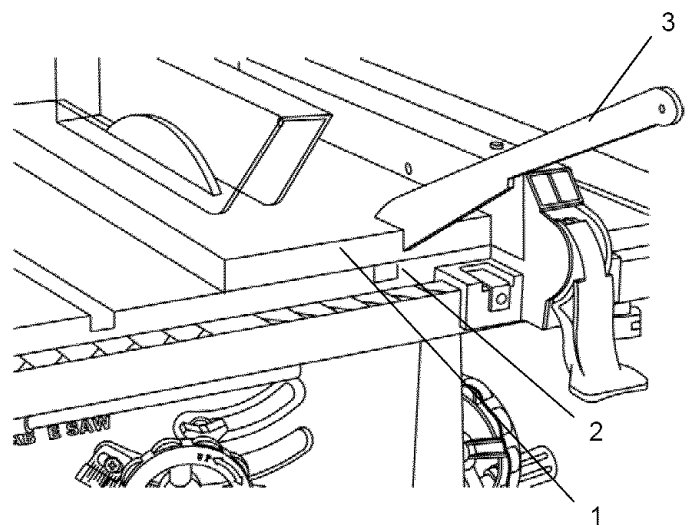
Fig. W



NOTE: Always use a push stick. When width or rip narrower than 2" the push stick cannot be used because the guard will interfere... Use the auxiliary fence as shown are page 19.

6. Keep your thumbs off the table top. When both of your thumbs touch the front edge of the table (2), finish the cut with a push stick. Make a push stick using the pattern on page 30.
7. The push stick (3) should always be used. (Fig. X)
8. Continue pushing the workpiece with the push stick (3) until it passes the blade guard and clears the rear of the table.
9. Never pull the piece back when the blade is turning. Turn the switch OFF. When the blade completely stops, then remove the workpiece.

Fig. X



BEVEL RIPPING

This cut is a combination of ripping while having the blade bevel angle is set to an angle other than "0".

▲ WARNING

Cut only with the workpiece and the fence on the right side of the blade.

RIPPING SMALL PIECES

▲ WARNING

Avoid injury from the blade contact. Never make through saw cuts narrower than 1/2" wide.

1. It is unsafe to rip small pieces. Instead, rip a larger piece to obtain the size of the desired piece.
2. When a small width is to be ripped and your hand cannot be safely put between the blade and the rip fence, use one or more push sticks to move the workpiece.

CROSSCUTTING (FIG. Y)

▲ WARNING

To prevent serious injury:

- Do not allow familiarity or frequent use of your table saw to cause careless mistakes. Remember that even a careless fraction of a second is enough to cause a severe injury.
- Keep both hands away from the blade and the path of the blade.

1. Remove the rip fence and place the miter gauge in the left side groove.
2. Adjust the blade height so it is 1/8" higher than the top of the workpiece.
3. Hold the workpiece firmly against the miter gauge with the blade path in line with the desired cut location. Keep the workpiece away from the blade.
4. Start the saw and wait for the blade (1) to come up to full speed.
5. Keep the workpiece (2) against the face of the miter gauge (3) and flat against the face of the gauge and flat against the table. Then slowly push the workpiece through the blade. (Fig. Y)
6. Do not try to pull the workpiece back with the blade turning. Turn the switch OFF, and carefully slide the workpiece out when the blade is completely stopped.

USING WOOD FACING ON THE MITER GAUGE (Fig. Y-1)

Slots are provided in the miter gauge for attaching an auxiliary facing (1) to make it easier to cut very long or short pieces. Select a suitable piece of smooth wood, drill two holes through it and attach it the miter gauge face with screws. Make sure the facing does not interfere with the proper operation of the sawblade guard. When cutting long workpieces, you can make a simple support by clamping a piece of plywood to a sawhorse.

Fig. Y

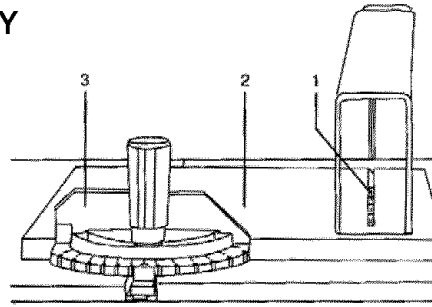
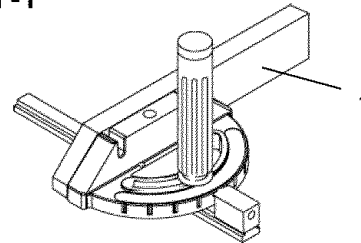


Fig. Y-1

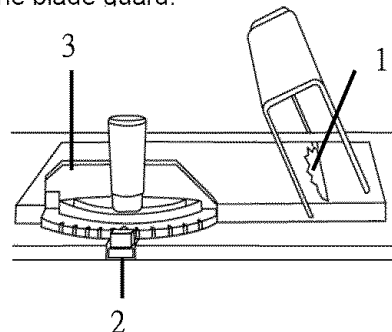


BEVEL CROSSCUTTING (FIG. Z)

This cutting operation is the same as crosscutting except the blade is at bevel angle other than 0°.

1. Adjust the blade (1) to the desired angle, and tighten the blade bevel lock knob.
2. Always work to the left side of the blade. The miter gauge (3) must be in the left side groove (2). It cannot be used in the right side groove unless the miter angle is very sharp, as it will interfere with the blade guard.

Fig. Z

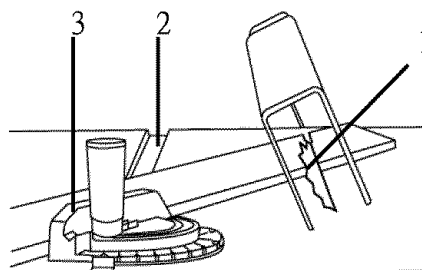


COMPOUND MITER CROSSCUTTING (FIG. AA)

This sawing operation is combining a miter angle with a bevel angle.

1. Set the miter gauge (3) to the desired angle. Use only the left side groove (2).
2. Set the blade (1) bevel to the desired angle then lock in position.
3. Carefully push the miter gauge to begin the cutting operation.

Fig. AA

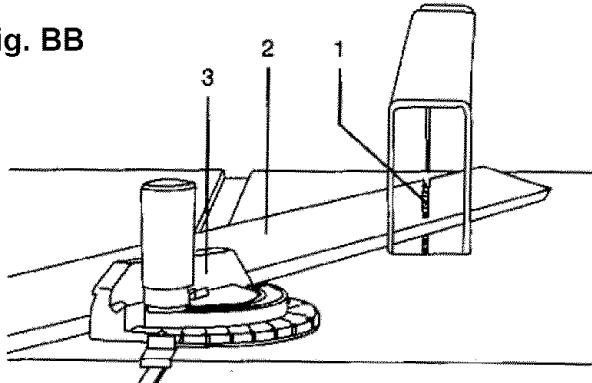


MITERING (FIG. BB)

This sawing operation is the same as crosscutting except the miter gauge is locked at an angle other than 90°

1. Hold the workpiece (2) firmly against the miter gauge (3).
2. Feed the workpiece slowly into the blade (1) to prevent the workpiece from moving.

Fig. BB

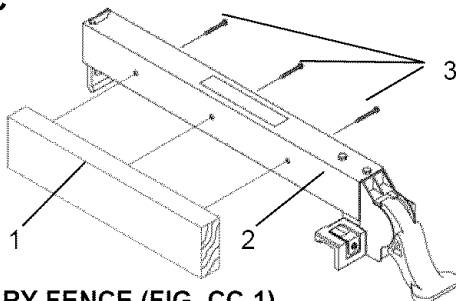


USING WOOD FACING ON THE RIP FENCE (FIG. CC)

When performing some special cutting operations, add a wood facing (1) to either side of the rip fence (2).

1. Use a smooth straight 3/4" thick wood board (1) that is as long as the rip fence.
2. Attach the wood facing to the fence with wood screw (3) through the hole in the fence. A wood fence should be used when ripping material such as thin paneling to prevent the material from catching between the bottom of the fence and the table.

Fig. CC



AUXILIARY FENCE (FIG. CC-1)

Making the base:

- Start with a piece of 3/8" plywood at least 5-1/2" wide or wider and 30" long or longer.
- Cut the piece to shape and size shown:

Making the side:

- Start with a piece of 3/4" plywood at least 2-3/8" wide or wider and 27" long or longer/
- Cut the piece to shape and size shown:

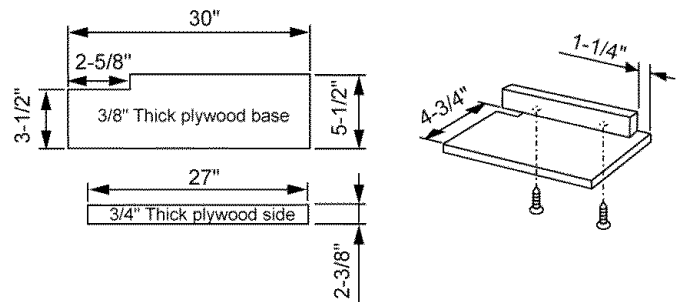
Putting it together:

- Put the pieces together, as shown:

▲ WARNING

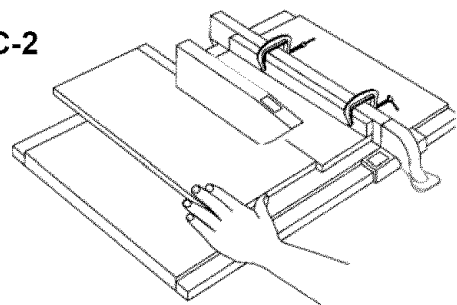
Make sure the screw heads do not stick out from the bottom of the base, they must be flush or recessed. The bottom must be flat and smooth enough to rest on the saw table without rocking.

Fig. CC-1



Attach auxiliary fence to rip fence with two "C" clamps. (Fig. CC-2)

Fig. CC-2



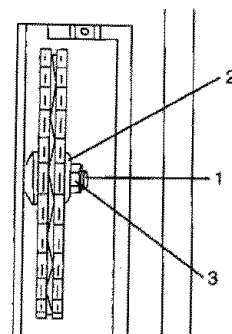
DADO CUTS (FIG. DD)

1. The dado table insert is included with this saw. Remove saw blade, blade guard, then install the dado, and dado table insert.
2. Instruction for operating the dado is packed with the separately purchased dado set.
3. The arbor (1) on this saw restricts the maximum width of the cut to 1/2".
4. It is not necessary to install the outside flange (2) before screwing on the arbor nut (3). Make sure that the arbor nut (3) is tight, and that at least one thread of the arbor sticks out past the nut.
5. Use only the 6" dado set and keep the width 1/2" or less. It will be necessary to remove the blade guard and splitter when using a dado blade. Always use caution when operating a dado blade.
6. Use only the correct number of round outside blades and inside chippers as shown in the dado set's instruction manual. Blades/chippers must not exceed 1/2".
7. Check saw to ensure that the dado will not strike the housing, insert, or motor when in operation.

▲ WARNING

For your own safety, always replace the blade, blade guard assembly, and blade insert when you are finished with the dado operation.

Fig. DD



MAINTENANCE

MAINTAINING YOUR TABLE SAW

Fig. EE

GENERAL MAINTENANCE

▲ WARNING

For your own safety, turn the switch OFF and remove the switch key. Remove the plug from the power source outlet before maintaining or lubricating your saw.

1. Clean out all sawdust that has accumulated inside the saw cabinet and the motor.
2. Polish the saw table with an automotive wax to keep it clean and to make it easier to slide the workpiece.
3. Clean cutting blades with pitch and gum remover.
4. A worn, cut, or damaged power cord should be replaced immediately.

▲ WARNING

All electrical or mechanical repairs should be attempted only by a trained repair technician. Contact the nearest Sears Service Center for service. Use only identical replacement parts. Any other parts may create a hazard.

5. Use liquid dish washing detergent and water to clean all plastic parts.

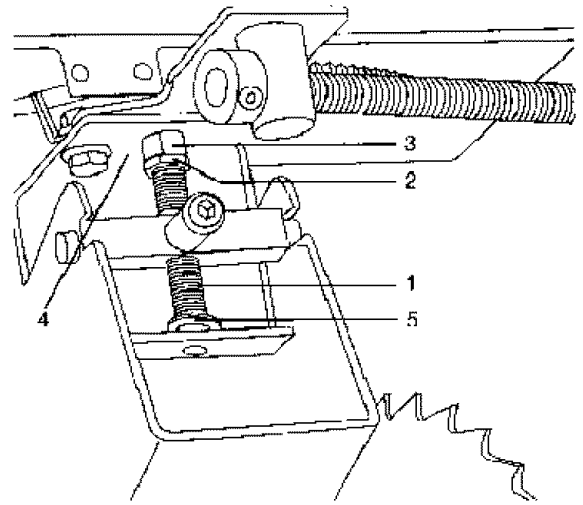
NOTE: Certain cleaning chemicals can damage plastic parts.

6. Avoid use of the following cleaning chemicals or solvents, ammonia and household detergents containing ammonia.

BLADE RAISING AND TILTING MECHANISM (FIG. EE)

After each five hours of operation, the blade raising mechanism and tilting mechanism should be checked for looseness, binding, or other abnormalities. With the saw dis-connected from the power source, turn the saw upside down and alternately pull upward and downward on the motor unit. Observe any movement of the motor mounting mechanism. Looseness or play in the blade raising screw (1) should be adjusted as follows:

1. Using a 14mm wrench, loosen nut (2).
2. Adjust nut (3) until it is finger-tight against the bracket (4), then back off the nut (3) 1/6 turn.
3. Tighten nut (2) with the wrench, while holding nut (3) in place. Maximum allowable play of screw rod (1) is 0.16" (4 mm).



Place a small amount of dry lubricant on bevel gear (2). Screw rod (1) must be kept clean and free of sawdust, gum, pitch, and other contaminants for smooth operation.

If excessive looseness is observed in any parts of the blade raising mechanism or tilting mechanism, take the complete unit to a Sears Service Center.

LUBRICATION

All motor bearings are permanently lubricated at the factory and require no additional lubrication.

On all mechanical parts of your table saw where a pivot or threaded rod are present, lubricate using graphite or silicone. These dry lubricants will not hold sawdust as would oil or grease.

TROUBLESHOOTING GUIDE

WARNING

To avoid injury from an accidental start, turn the switch OFF and always remove the plug from the power source before making any adjustments.

- Consult your local Sears Service Center if for any reason the motor will not run.

SYMPTOM	POSSIBLE CAUSES	CORRECTIVE ACTION
Saw will not start	<ol style="list-style-type: none"> 1. Saw not plugged in 2. Fuse blown or circuit breaker tripped 3. Cord damaged 	<ol style="list-style-type: none"> 1. Plug in saw 2. Replace fuse or reset circuit breaker 3. Have cord replaced by a Sears Service Center
Does not make accurate 45° and 90° rip cuts	<ol style="list-style-type: none"> 1. Positive stop not adjusted correctly 2. Tilt angle pointer not set accurately 	<ol style="list-style-type: none"> 1. Check blade with square and adjust positive stop 2. Check blade with square and adjust to zero
Material pinched blade when ripping	<ol style="list-style-type: none"> 1. Rip fence not aligned with blade 2. Warped wood, edge against fence is not straight 	<ol style="list-style-type: none"> 1. Check and adjust rip fence 2. Select another piece of wood
Material binds on splitter	<ol style="list-style-type: none"> 1. Splitter not aligned correctly with blade 	<ol style="list-style-type: none"> 1. Check and align splitter with blade
Saw makes unsatisfactory cuts	<ol style="list-style-type: none"> 1. Dull blade 2. Blade mounted backwards 3. Gum or pitch on blade 4. Incorrect blade for work being done 5. Gum or pitch on blade or table causing erratic feed 	<ol style="list-style-type: none"> 1. Replace blade 2. Turn the blade around 3. Remove blade and clean with turpentine and coarse steel wool 4. Change the blade 5. Clean table with turpentine and steel wool
Material kicked back from blade	<ol style="list-style-type: none"> 1. Rip fence out of adjustment 2. Splitter not aligned with blade 3. Feeding stock without rip fence 4. Splitter not in place 5. Dull blade 6. The operator letting go of material before it is past saw blade 7. Miter angle lock knob is not tight 	<ol style="list-style-type: none"> 1. Align rip fence with miter gauge slot 2. Align splitter with blade 3. Install and use rip fence 4. Install and use splitter (with guard) 5. Replace blade 6. Push material completely through the guard kickback pawls before releasing work 7. Tighten knob
Blade does not raise or tilt freely	<ol style="list-style-type: none"> 1. Sawdust and dirt in raising and tilting mechanisms 	<ol style="list-style-type: none"> 1. Brush or blow out loose dust and dirt
Blade does not come up to speed	<ol style="list-style-type: none"> 1. Extension cord too light or too long 2. Low house voltage 	<ol style="list-style-type: none"> 1. Replace with adequate size cord 2. Contact your electric company
Machine vibrates excessively	<ol style="list-style-type: none"> 1. Saw not mounted securely to workbench 2. Bench on uneven floor 3. Damaged saw blade 	<ol style="list-style-type: none"> 1. Tighten all mounting hardware 2. Reposition on flat level surface Fasten to floor if necessary 3. Replace blade
Does not make accurate 45° and 90° cross cuts	<ol style="list-style-type: none"> 1. Miter gauge out of adjustment 	<ol style="list-style-type: none"> 1. Adjust miter gauge

PARTS LIST

10" TABLE SAW PARTS LIST

MODEL NO. 137.248830

WARNING

When servicing use only CRAFTSMAN replacement parts. Use of any other parts may create a HAZARD or cause product damage.

WARNING

Any attempt to repair or replace electrical parts on this Table Saw may create a HAZARD unless repair is done by a qualified service technician. Repair service is available at your nearest Sears Service Center.

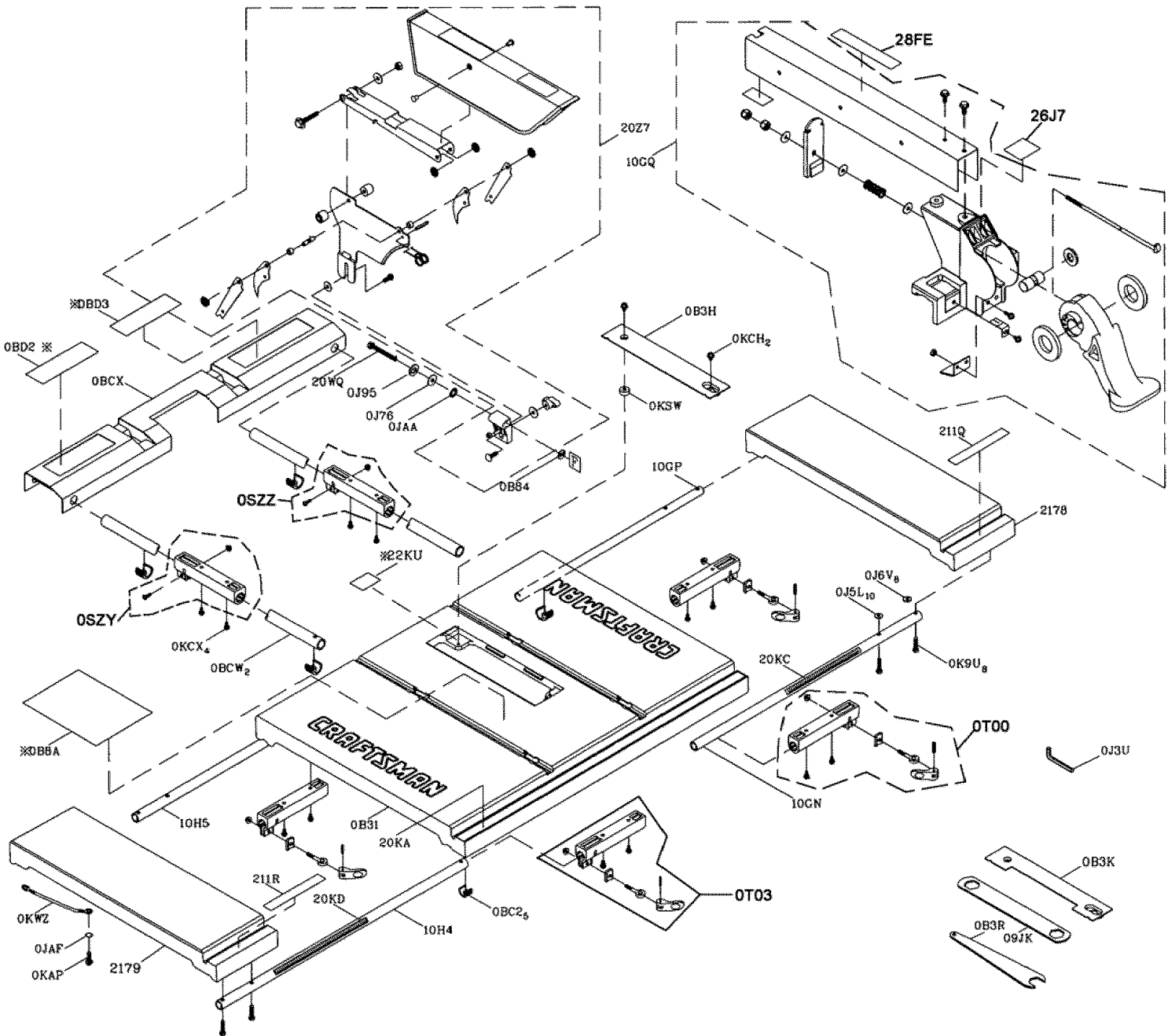
Always order by Model Number and I.D. number.

Schematic A

I.D. No.	Description	Size	Qty	I.D. No.	Description	Size	Qty
2178	EXTENSION WING (RIGHT)		1	0KCX	CR.RE. PAN HD PLAIN WASHER	M5*0.8-10	4
					TAPPING SCREW		
2179	EXTENSION WING (LEFT)		1	0KSW	STRAIN RELIEF		1
09JK	WRENCH HEX.	#06	1	0KWZ	LEAD WIRE ASS'Y		1
0B31	TABLE		1	10GN	UPER TUBE		1
0B3H	INSERT		1	10GP	UPER TUBE		1
0B3K	INSERT		1	10GQ	RIP FENCE ASS'Y		1
0B3R	WRENCH		1	10H4	UPER TUBE		1
0B84	WASHER	D=φ18	1	10H5	UPER TUBE		1
0BC2	LOCATION SEAT	#06	5	20KA	SCALE		1
0BCW	UPER TUBE		2	20KC	SCALE		1
0BCX	EXTENSION WING		1	20KD	SCALE		1
0BD2	WARNING LABEL		1	20WQ	HEX. HD. BOLT	M6*1.0-50	1
0BD3	WARNING LABEL		1	20Z7	BLADE GUARD ASS'Y		1
0J3U	WRENCH HEX.		1	211Q	SCALE		1
0J5L	FLAT WASHER	φ 5*10-0.3	10	211R	SCALE		1
0J6V	FLAT WASHER	3/16*3/8-0.022	6	22KU	WARNING LABEL		1
0J76	FLAT WASHER	1/4*3/4-1/16	1	0B8A	WARNING STICK LABEL		1
0J95	SPRING WASHER	φ 6	1	0T00	SLIDING BASE ASS'Y		1
0JAA	WASHER	φ 8	1	0T03	SLIDING BASE ASS'Y		1
0JAF	EXTERNAL TOOTH LOCK WASHER	φ 5	1	0SZY	SLIDING BASE ASS'Y		1
0K9U	HEX. HD. TAPPING SCREW	M5*16-25	8	0SZZ	SLIDING BASE ASS'Y		1
0KAP	CR.RE. PAN HD. TAPPING SCREW	M5*0.8-10	1	26J7	TRADE-MARK LABEL		1
0KCH	CR.RE. PAN HEAD TAPPING & WASHER SCREW	M5*0.8-12	2	28FE	CAUTION LABEL		1

10" TABLE SAW

Schematic A



10" TABLE SAW PARTS LIST

MODEL NO. 137.248830

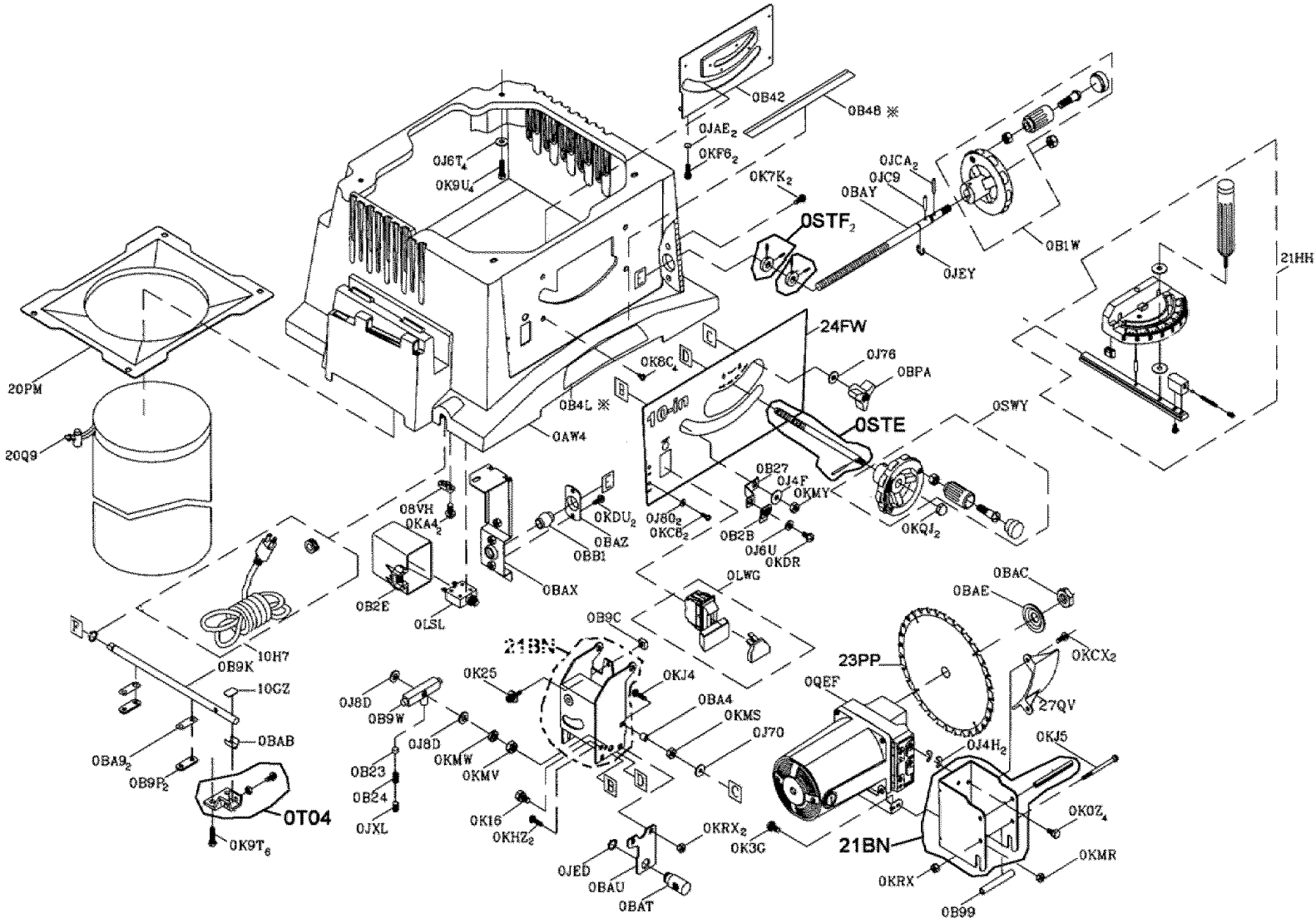
Schematic B

I.D. NO.	Description	Size	Qty	I.D. NO.	Description	Size	Qty
08VH	CLAMP-CORD	#06	1	0K25	HEX.SOCKET HD.CAP SCREWS	M5*0.8-20	1
0AW4	BODY SHELL	#AM	1	0K3G	CR.RE. PAN HD. SCREW & WASHER	M5*0.8-12	1
0B1W	HANDLE BAR ASS'Y		1	0K7K	CR. RE. ROUND WASHER HD. SCREW	M6*1.0-12	2
0B23	SADDLE		1	0K8C	CR. RE.COUNT HD. TAPPING SCREW	M4*18-10	4
0B24	SPRING		1	0K9T	HEX. HD. TAPPING SCREW	M5*16-16	6
0B27	POINTER BRACKET		1	0K9U	HEX. HD. TAPPING SCREW	M5*16-25	4
0B2B	NEEDLE POINTER		1	0KA4	CR.RE. PAN HD. TAPPING SCREW	M4*16-16	2
0B2E	SWITCH BOX	#06	1	0KC8	CR. RE. TRUSS HD. TAPPING SCREW	M4*16-16	2
0B42	RETAINING CLIP		1	0KCX	CR.REPAN HD PLAIN WASHER TAPPING SCREW	M5*0.8-10	2
0B48	WARNING LABEL		1	0KDR	CR. RE. PAN HD. SCREW	M5*0.8-10	1
0B4L	TRADE-MARK LABEL		1	0KDU	CR. RE. PAN HD. SCREW	M6*1.0-12	2
0B99	SPACER		1	0KF6	CR. RE. PAN HD. SCREW	M4*0.7-8	2
0B9C	PLUNGER HOUSING		1	0KHZ	CAP HD. SQ.NECK BOLT	M6*1.0-12	2
0B9K	ANGLE ROD		1	0KJ4	CAP HD. SQ.NECK BOLT	M6*1.0-35	1
0B9P	CLAMP		2	0KJ5	CAP HD. SQ.NECK BOLT	M6X1.0-80	1
0B9W	BRACKET		1	0KMR	HEX. NUT	M5*0.8 T=4	1
0BA4	SPACER		1	0KMS	HEX. NUT	M6*1.0 T=5	1
0BA9	SPACER		2	0KMV	HEX. NUT	M10*1.5 T=8	1
0BAB	SHIM		1	0KMW	HEX. NUT	M10*1.5 T=4	1
0BAC	SET NUT		1	0KMY	HEX. NUT	M8*1.25 · T=6.5	1
0BAE	ARBOR COLLAR	φ45	1	0KQJ	CROWN NUT	M8*1.25 T=12.5	2
0BAT	NUT		1	0KRX	HEXAGON NUT AND FLAT WASHER	M6*1.0	3
0BAU	SUPPORTING PLATE		1	0LSL	CIRCUIT BREAKER SWITCH		1
0BAX	STIFFENER		1	0LWG	ROCKER SWITCH		1
0BAY	SCREW BAR	L=309	1	0QEF	MOTOR		1
0BAZ	BEARING SEAT		1	0T04	CLAMP ASS'Y		1
0BB1	SHAFT	#06	1	0STE	HEIGHT REGULATING BOLT ASS'Y		1
0BPA	LOCK KNOB	#23 , #06	1	0STF	PARRLE RING ASS'Y		2
0J4F	FLAT WASHER	φ 8X16-2.5	1	0SWY	HAND WHEEL ASS'Y	#06	1
0J4H	FLAT WASHER	φ 10*30-0.2	2	10GZ	SPACER		1
0J6T	FLAT WASHER	3/16*3/4-1/16	4	10H7	POWER CABLE ASS'Y		1
0J6U	FLAT WASHER	3/16*1/2-3/64	1	24FW	LABEL		1
0J70	FLAT WASHER	1/4*3/4-7/64	1	20PM	DUST COLLECTOR	#06	1
0J76	FLAT WASHER	1/4*3/4-1/16	1	20Q9	BAG-DUST	#06	1
0J80	FLAT WASHER	5/32*13/32-3/64	2	21BN	BRACKET GROUP ASS'Y		1
0J8D	FLAT WASHER	3/8*3/4-5/64	2	21HH	MITER GAUGE ASS'Y		1
0JAE	EXTERNAL TOOTH LOCK WASHER	φ 4	2	23PP	BLADE	10"×5/8" — 36T	1
0JC9	SPRING PIN		1	27QV	PARTS BOX CARTON		1
0JCA	SPRING PIN		2				
0JED	C-RING	A-16	1				
0JEY	E-RING	E-9	1				
0JXL	HEX. SOC. SET SCREW	M10*1.5-12	1				
0K0Z	HEX. HD. SCREW AND WASHER	M8*1.25-16	4				
0K16	HEX. HD. SCREW AND WASHER	M8*1.25-16	1	24FS	INSTRUCTION MANUAL		1

10" TABLE SAW

Schematic B

MODEL NO. 137.248830

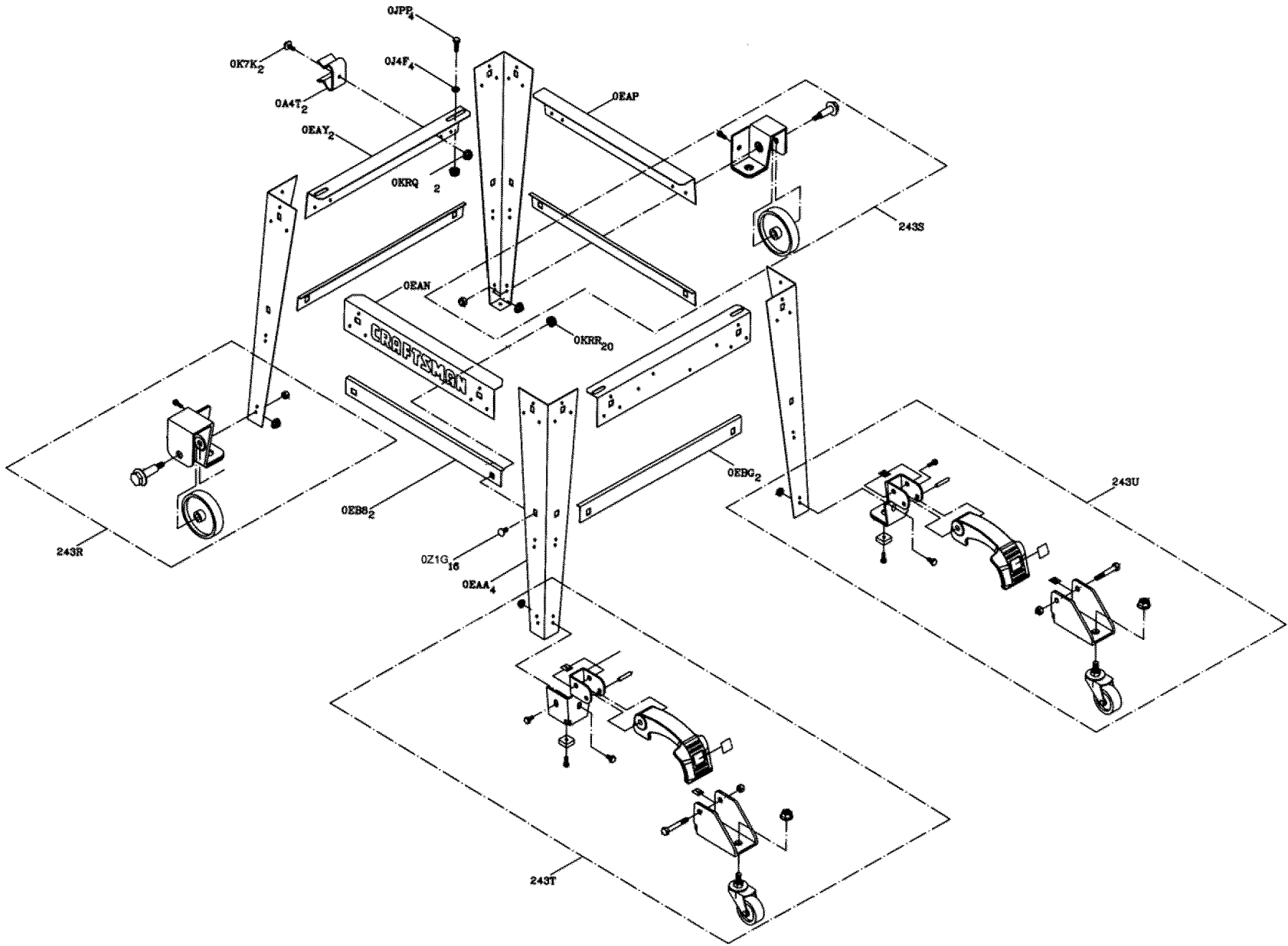


10" TABLE SAW**MODEL NO. 137.248830****Part list for STAND**

I.D. No.	Description	Size	Qty
0A4T	BASE	#06	2
0EAA	BRACKET		4
0EAN	UPPER SUPPORT		1
0EAP	UPPER SUPPORT		1
0EAY	UPPER SUPPORT		2
0EB8	BOTTOM SUPPORT BRACKET		2
0EBG	BOTTOM SUPPORT BRACKET		2
0J4F	FLAT WASHER	φ 8X16-2.5	4
0JPP	HEX. HD. BOLT	M8X1.25-30	4
0K7K	CR. RE. ROUND WASHER HD. SCREW	M6X1.0-12	2
0Z1G	CAP HD. SQ.NECK BOLT	M8X1.25-12	16
0KRQ	SERRATED TOOTHED HEXAGON FLANGE NUT	M6X1.0 T=6	2
0KRR	SERRATED TOOTHED HEXAGON FLANGE NUT	M8X1.25 · T=7.5	20
243R	LEFT FRONT WHEEL ASS'Y		1
243S	LEFT REAR WHEEL ASS'Y		1
243T	RIGHT FRONT WHEEL ASS'Y		1
243U	RIGHT REAR WHEEL ASS'Y		1

10" TABLE SAW
STAND

MODEL NO. 137.248830



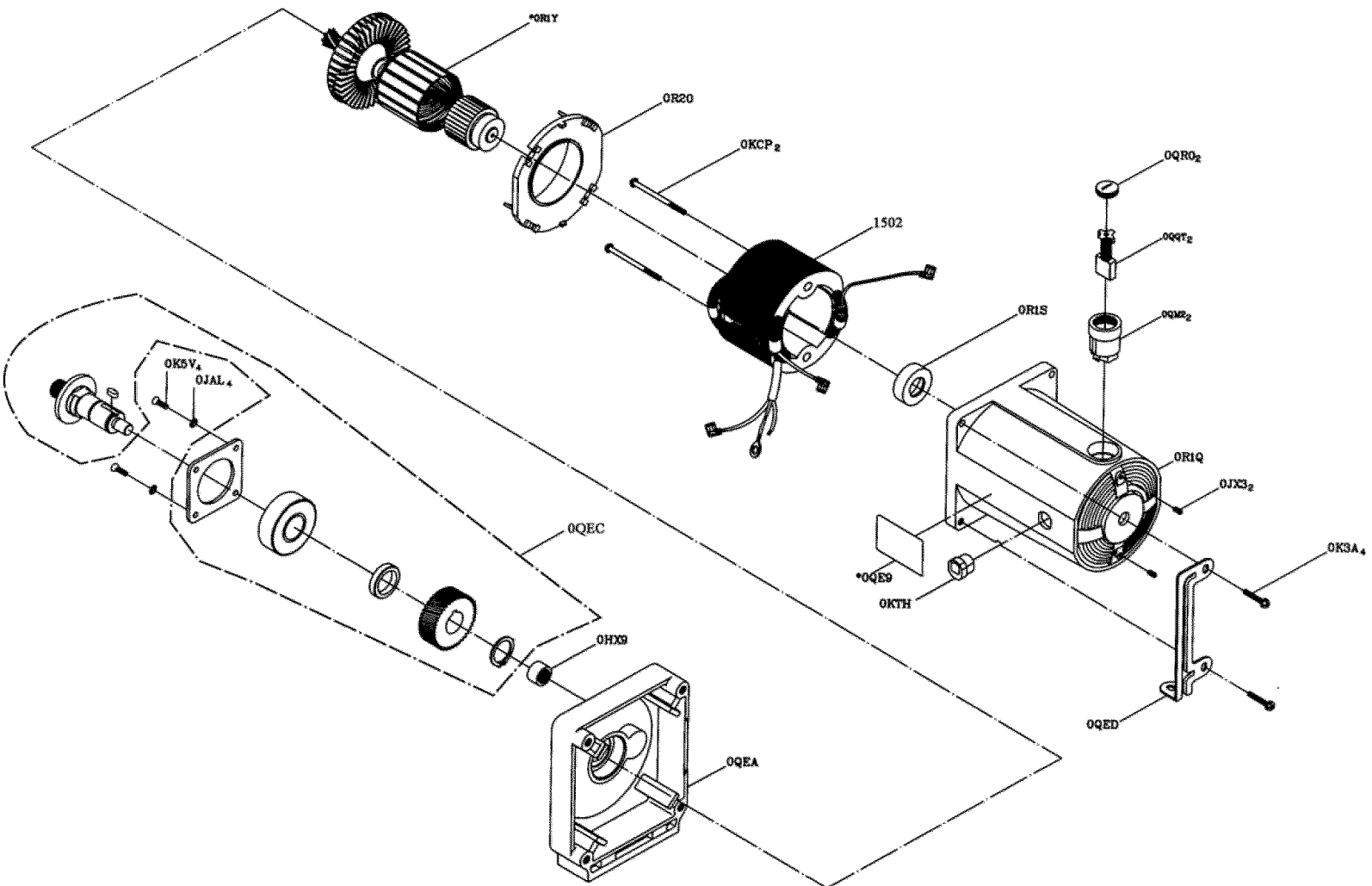
10" TABLE SAW

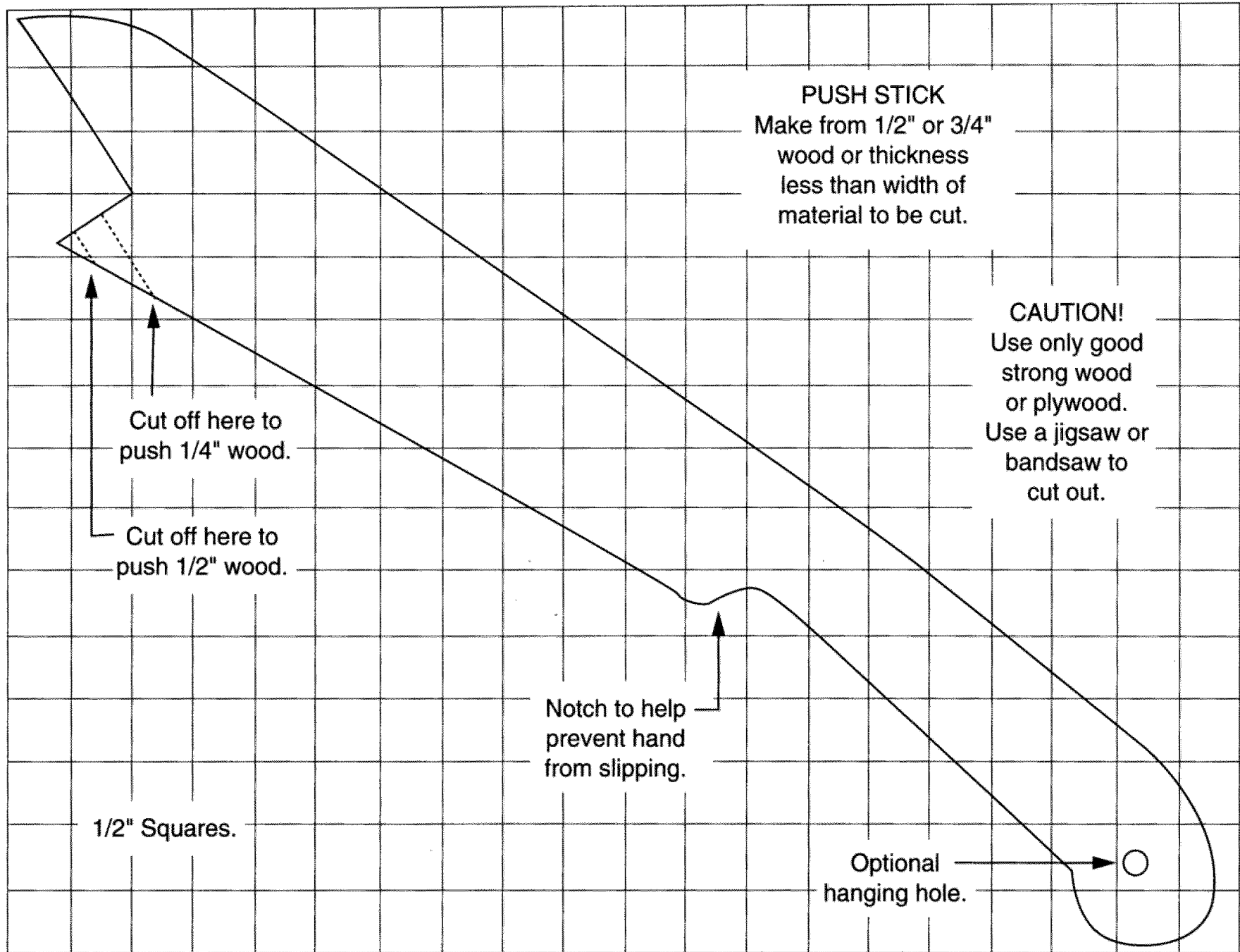
MODEL NO. 137.248830

Part list for MOTOR

I.D. NO.	DESCRIPTION	SIZE	QTY
1502	FIELD ASS'Y		1
0HX9	NEEDLE BEARING		1
0JAL	EXT.TOOTH LOCK WASHER	φ 4	4
0JX3	HEX. SOC. SET SCREW	M5X0.8-8	2
0K3A	CR.RE. PAN HD. SCREW & WASHER	M5X0.8-30	4
0K5V	CR.-RE. COUND.HD.SCREW	M4X0.7-8	4
0KCP	CR.RE. PAN HEAD TAPPING & WASHER SCREW	M5X12-60	2
0KTH	STRAIN RELIEF		1
0QE9	MOTOR NAMEPLATE		1
0QEA	BRACKET		1
0QEC	ARBOR SHAFT ASS'Y		1
0QED	SUPPORT PLATE		1
0QM2	BRUSH HOLDER ASS'Y		2
0QQT	BRUSH ASS'Y		2
0QR0	BRUSH COVER		2
0R1Q	MOTOR HOUSING	#06	1
0R1S	BEARING BUSHING		1
0R1Y	ARMATURE ASS'Y		1
0R20	BAFFLE	#06	1

MOTOR





Get it fixed, at your home or ours!

Your Home

For repair – **in your home** – of **all** major brand appliances, lawn and garden equipment, or heating and cooling systems, **no matter who made it, no matter who sold it!**

For the replacement parts, accessories and Operator's Manuals that you need to do-it-yourself.

For Sears professional installation of home appliances and items like garage door openers and water heaters.

1-800-4-MY-HOME® (1-800-469-4663)

Call anytime, day or night (U.S.A. and Canada)

www.sears.com www.sears.ca

Our Home

For repair of carry-in items like vacuums, lawn equipment, and electronics, call or go on-line for the location of your nearest **Sears Parts & Repair Center.**

1-800-488-1222

Call anytime, day or night (U.S.A. only)

www.sears.com

To purchase a protection agreement on a product serviced by Sears:

1-800-827-6655 (U.S.A.)

1-800-361-6665 (Canada)

Para pedir servicio de reparación a domicilio, y para ordenar piezas:

1-888-SU-HOGARSM

(1-888-784-6427)

Au Canada pour service en français:

1-800-LE-FOYER^{MC}

(1-800-533-6937)

www.sears.ca



© Registered Trademark / TM Trademark / SM Service Mark of Sears, Roebuck and Co.

© Marca Registrada / TM Marca de Fábrica / SM Marca de Servicio de Sears, Roebuck and Co.

^{MC} Marque de commerce / ^{MD} Marque déposée de Sears, Roebuck and Co.

© Sears, Roebuck and Co.

2004/R1

Free Manuals Download Website

<http://myh66.com>

<http://usermanuals.us>

<http://www.somanuals.com>

<http://www.4manuals.cc>

<http://www.manual-lib.com>

<http://www.404manual.com>

<http://www.luxmanual.com>

<http://aubethermostatmanual.com>

Golf course search by state

<http://golfingnear.com>

Email search by domain

<http://emailbydomain.com>

Auto manuals search

<http://auto.somanuals.com>

TV manuals search

<http://tv.somanuals.com>