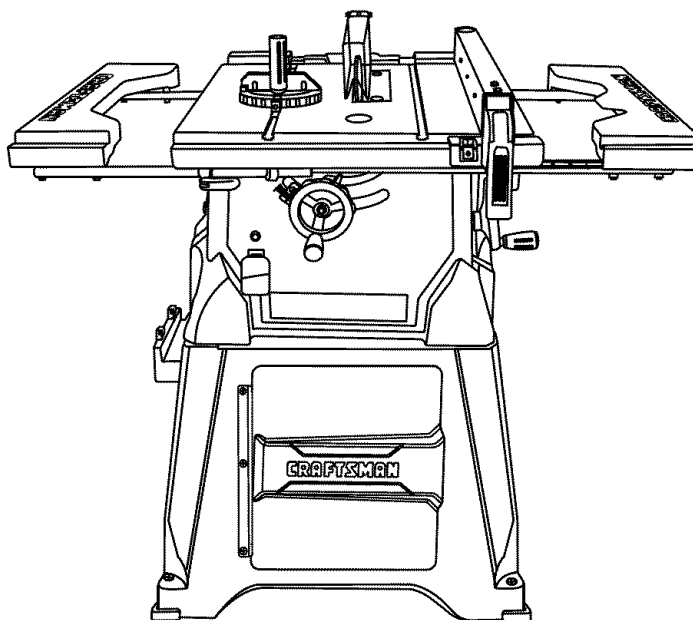


# Operator's Manual



## 10 in. TABLE SAW WITH STAND Model No. 137.248850



### **CAUTION:**

Before using this Table Saw, read this manual and follow all its Safety Rules and Operating Instructions

- Safety Instructions
- Installation
- Operation
- Maintenance
- Parts List

**Customer Help Line  
For Technical Support  
1-800-843-1682**

**Sears Parts &  
Repair Center  
1-800-488-1222**

Sears, Roebuck and Co., Hoffman Estates, IL 60179 USA

Visit our Craftsman website: [www.sears.com/craftsman](http://www.sears.com/craftsman)

Part No. 137248850001

# TABLE OF CONTENTS

SECTION	PAGE	SECTION	PAGE
Warranty.....	2	Know Your Table Saw.....	8
Product Specifications.....	2	Glossary of Terms.....	9
Power Tool Safety.....	3	Assembly and Adjustments.....	10
Table Saw Safety.....	4	Operation.....	17
Electrical Requirements and Safety.....	5	Maintenance.....	22
Accessories and Attachments.....	6	Troubleshooting Guide.....	23
Tools Needed For Assembly.....	6	Parts List.....	24
Carton Contents.....	6	Push Stick Plan.....	28

## WARRANTY

### ONE-YEAR FULL WARRANTY ON CRAFTSMAN TOOL

If this Craftsman tool fails due to a defect in material or workmanship within one year from the date of purchase, **CALL 1-800-4-MY-HOME® TO ARRANGE FOR FREE REPAIR** (or replacement if repair proves impossible). If this tool is used for commercial or rental purposes, this warranty will apply for only ninety days from the date of purchase. This warranty applies only while this tool is in the United States. This warranty gives you specific legal rights, and you may also have other rights, which vary, from state to state.  
**Sears, Roebuck and Co., Hoffman Estates, IL 60179**

#### WARNING

Some dust created by power sanding, sawing, grinding, drilling and other construction activities contains chemicals known to cause cancer, birth defects or other reproductive harm. Some examples of these chemicals are:

- Lead from lead-based paints
- Crystalline silica from bricks, cement and other masonry products
- Arsenic and chromium from chemically treated lumber

Your risk from these exposures varies, depending on how often you do this type of work. To reduce your exposure to these chemicals, work in a well ventilated area and work with approved safety equipment such as dust masks that are specially designed to filter out microscopic particles.

## PRODUCT SPECIFICATIONS

#### MOTOR

Type .....	Universal
Amps .....	15
Voltage .....	120
Hz .....	60
RPM (no load) .....	5000

#### SAW

Rip Capacity With Extension.....	30 in. Right & 18 in. Left
Blade Size .....	10 in.
Blade Arbor Size .....	5/8 in.
Maximum Cut Depth @ 90° .....	3 in.
Maximum Cut Depth @ 45° .....	2-1/2 in.
Maximum Diameter Dado .....	6 in. (Stackable only)
Maximum Dado Cut Width .....	1/2 in.



#### WARNING

To avoid electrical hazards, fire hazards or damage to the tool, use proper circuit protection. This tool is wired at the factory for 110-120 Volt operation. It must be connected to a 110-120 Volt / 15 Ampere time delay fuse or circuit breaker. To avoid shock or fire, replace power cord immediately if it is worn, cut or damaged in any way. Before using your tool, it is critical that you read and understand these safety rules. Failure to follow these rules could result in serious injury to you or damage to the tool.


# POWER TOOL SAFETY

## GENERAL SAFETY INSTRUCTIONS

Read and understand all the instructions below before using the power tool. These safety instructions are not meant to cover every possible condition that could occur. As with any power tool, common sense, vigilance and due care must be used.

1. **READ** and become familiar with the entire Operator's Manual. LEARN the tool's application, limitations and possible hazards.
2.  **WARNING** Look for this symbol that identifies important safety precautions. It means **CAUTION! Become alert, your safety is involved if you do not follow the safety instructions.**
3.  **DANGER** Look for this symbol that identifies important safety precautions. It means **CAUTION! Become alert, your safety is involved if you do not follow the safety instructions.**
4. **NEVER OPERATE THIS MACHINE WITHOUT THE SAFETY GUARD IN PLACE FOR ALL THROUGHSAWING OPERATIONS.**
5. **DO NOT USE IN A DANGEROUS ENVIRONMENT** such as damp or wet locations or exposure to rain. Keep work area well lighted.
6. **DO NOT** use power tools in the presence of flammable liquids or gases.
7. **KEEP WORK AREA CLEAN.** Cluttered areas and benches invite accidents.
8. **KEEP CHILDREN AWAY.** All visitors should be kept at a safe distance from the work area.
9. **DO NOT FORCE THE TOOL.** It will do the job better and safer at the rate for which it was designed.
10. **USE THE RIGHT TOOL.** Do not force the tool or attachment to do a job for which it is not designed.
11. **WEAR PROPER APPAREL. DO NOT** wear loose clothing, gloves, neckties, rings, bracelets or other jewelry that may get caught in moving parts. Nonslip footwear is recommended. Wear protective hair covering to contain long hair.
12. **WEAR A FACE MASK OR DUST MASK.** Sawing, cutting and sanding operations produce dust.
13. **DISCONNECT TOOLS** before servicing and when changing accessories such as blades, cutters, etc.
14. **REDUCE THE RISK OF UNINTENTIONAL STARTING.** Make sure the switch is in the OFF position before plugging into the power supply.
15. **USE ONLY RECOMMENDED ACCESSORIES.** Consult the Operator's Manual for recommended accessories. The use of improper accessories may cause injury to you or damage to the tool. adjusting wrenches are removed from the tool before turning ON.
16. **REMOVE ADJUSTING KEYS AND WRENCHES.** Form the habit of checking to see that keys and adjusting wrenches are removed from the tool before turning ON.
17. **NEVER LEAVE TOOL RUNNING UNATTENDED. TURN THE POWER "OFF".** Do not leave the tool before it comes to a complete stop.
18. **NEVER STAND ON TOOL.** Serious injury could occur if the tool is tipped or if the cutting tool is unintentionally contacted.
19. **DO NOT OVERREACH.** Keep proper footing and balance at all times.
20. **MAINTAIN TOOLS WITH CARE.** Keep tools sharp and clean for most efficient and safest performance. Follow instructions for lubricating and changing accessories.
21. **CHECK FOR DAMAGED OR LOOSE PARTS.** Before further use of the tool, a guard or other part that is damaged should be carefully checked to ensure it will operate properly and perform its intended function. Check for alignment of moving parts, binding of moving parts, loose mounting and any other conditions that may affect its safe operation. A guard or other part that is loose or damaged should be properly adjusted repaired or replaced.
22. **MAKE WORKSHOP CHILD PROOF** with padlocks, master switches or by removing starter keys.
23. **DO NOT** operate the tool if you are under the influence of any drugs, alcohol or medication that could impair your ability to use the tool safely.
24. **USE A DUST COLLECTION SYSTEM** wherever possible. Dust generated from certain materials can be hazardous to your health and in some cases, a fire hazard. Always operate the power tool in a well ventilated area with adequate dust removal.
25. **ALWAYS WEAR EYE PROTECTION.** Any power tool can throw foreign objects into your eyes which could cause permanent eye damage. ALWAYS wear safety goggles (not glasses) that comply with ANSI safety standard Z87.1. Everyday glasses have only impact resistant lenses. They ARE NOT safety glasses. **NOTE:** Glasses or goggles not in compliance with ANSI Z87.1 could cause serious injury when they break.
26. **DIRECTION OF FEED.** Feed work into a blade or cutter against the direction of rotation of the blade or cutter only.
27. **DO NOT AUTHORZE ADDITIONAL USERS** to operate this power tool without the accompanying operators manual for which the user must read and understand.

# TABLE SAW SAFETY

1. **ALWAYS USE SAW BLADE GUARD**, splitter and anti-kickback pawls for every through-sawing operation. Through-sawing operations are those in which the blade cuts completely through the workpiece when ripping or crosscutting. Always be sure blade guard is tightened securely.
2. **ALWAYS HOLD WORK FIRMLY** against the miter gauge or rip fence.
3. **ALWAYS USE** a push stick, especially when ripping narrow stock. Refer to ripping instructions in this Operator's Manual where the push stick is covered in detail. A pattern for making your own push stick is included on page 28.
4. **NEVER PERFORM ANY OPERATION FREEHAND, which means using only your hands to support or guide the workpiece. Always use either the fence or the miter gauge to position and guide the work.**  
 **DANGER**  
**FREEHAND CUTTING IS THE MAJOR CAUSE OF KICKBACK AND FINGER/HAND AMPUTATIONS. NEVER USE THE MITER GAUGE AND FENCE SIMULTANEOUSLY.**
5. **NEVER STAND** or have any part of your body in line with the path of the saw blade. Keep your hands out of the saw blade path.
6. **NEVER REACH** behind or over the cutting tool for any reason.
7. **REMOVE** the rip fence when crosscutting.
8. **DO NOT USE** a molding head with this saw.
9. **FEED WORK INTO THE BLADE** against the direction of rotation only.
10. **NEVER** use the rip fence as a cut-off gauge when crosscutting.
11. **NEVER ATTEMPT TO FREE A STALLED SAW BLADE** without first turning the saw OFF. Turn power switch OFF immediately to prevent motor damage.
12. **PROVIDE ADEQUATE SUPPORT** to the rear and the sides of the saw table for long or wide workpieces.
13. **AVOID KICKBACKS** (work thrown back towards you) by keeping the blade sharp, the rip fence parallel to the saw blade and by keeping the splitter, anti-kickback pawls and guards in place, aligned and functioning. Do not release work before passing it completely beyond the saw blade. Do not rip work that is twisted, warped or does not have a straight edge to guide it along the fence. Do not attempt to reverse out of a cut with the blade running.
14. **AVOID AWKWARD OPERATIONS** and hand positions where a sudden slip could cause your hand to move into the saw blade.
15. **NEVER USE SOLVENTS** to clean plastic parts. Solvents could possibly dissolve or otherwise damage the material. Only a soft damp cloth should be used to clean plastic parts.
16. **MOUNT** your table saw on a bench or stand before performing any cutting operations. Refer to ASSEMBLY on page 10.
17. **NEVER CUT METALS** or materials that may make hazardous dust.
18. **ALWAYS USE IN A WELL-VENTILATED AREA.** Remove sawdust frequently. Clean out sawdust from the interior of the saw to prevent a potential fire hazard.
19. **NEVER LEAVE THE SAW RUNNING UNATTENDED.** Do not leave the saw until the blade comes to a complete stop.
20. **FOR PROPER OPERATION** follow the instructions in this Operator's Manual entitled OPERATION (Page 17).

**NOTE:** On machines with no stand or if stand is not being used, a hole approximately 11 in. square must be cut under saw to allow sawdust to fall through. Failure to cut this hole will allow sawdust to build up in the motor area, resulting in a fire hazard and potential motor damage.

# ELECTRICAL REQUIREMENTS AND SAFETY

## GROUNDING INSTRUCTIONS

**IN THE EVENT OF A MALFUNCTION OR BREAKDOWN**, grounding provides a path of least resistance for electric currents and reduces the risk of electric shock. This tool is equipped with an electrical cord that has an equipment-grounding conductor and a grounding plug. The plug must be plugged into a matching receptacle that is properly installed and grounded in accordance with all local codes and ordinances.

**DO NOT MODIFY THE PLUG PROVIDED.** If it will not fit the receptacle, have the proper receptacle installed by a qualified electrician.

**IMPROPER CONNECTION** of the equipment grounding conductor can result in risk of electric shock. The conductor with the green insulation (with or without yellow stripes) is the equipment grounding conductor. If repair or replacement of the electrical cord or plug is necessary, do not connect the equipment grounding conductor to a live terminal.

**CHECK** with a qualified electrician or service person if you do not completely understand the grounding instructions, or if you are not certain the tool is properly grounded.

**USE** only three-wire extension cords that have three-pronged grounding plugs with three-pole receptacles that accept the tool's plug. Repair or replace damaged or worn cords immediately.

## GUIDELINES FOR EXTENSION CORDS

**USE THE PROPER EXTENSION CORD.** Make sure your extension cord is in good condition. Use an extension cord heavy enough to carry the current your product will draw. An undersized cord will cause a drop in line voltage resulting in loss of power, overheating and burning out of the motor. The table on the right shows the correct size to use depending on cord length and nameplate ampere rating. If in doubt, use the next heavier gauge. The smaller the gauge number, the heavier the cord.

Make sure your extension cord is properly wired and in good condition. Always replace a damaged extension cord or have it repaired by a qualified technician before using it. Protect your extension cords from sharp objects, excessive heat and damp or wet areas.

Use a separate electrical circuit for your tool. This circuit must not be less than #12 wire with a 20 A time-lag fuse

or a #14 wire with a 15 A time-lag fuse. **NOTE:** When using an extension cord on a circuit with a #14 wire, the extension cord must not exceed 25 feet in length. Before connecting the motor to the power line, make sure the switch is in the off position and the electric current is rated the same as the current stamped on the motor nameplate. Running at a lower voltage will damage the motor. This tool is intended for use on a circuit that has a receptacle like the one illustrated in Fig. 1.

Fig. 1 shows a three-pronged electrical plug and receptacle that has a grounding conductor. If a properly grounded receptacle is not available, an adapter (Fig. 2) can be used to temporarily connect this plug to a two-contact grounded receptacle. The adapter (Fig. 2) has a rigid lug extending from it that **MUST** be connected to a permanent earth ground, such as a properly grounded receptacle box.

**CAUTION**  
In all cases, make certain the receptacle is properly grounded. If you are not sure, have a qualified electrician check the receptacle.

**CAUTION**  
This tool is for indoor use only. Do not expose to rain or use in damp locations.

Fig. 1

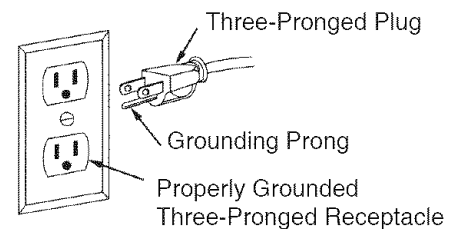
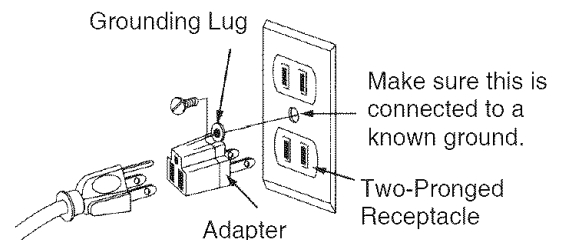


Fig. 2



**CAUTION**  
This tool must be grounded while in use to protect the operator from electric shock.

MINIMUM GAUGE FOR EXTENSION CORDS (AWG)					
(When using 120 volts only)					
Ampere Rating		Total length of Cord			
More Than	Not More Than	25ft.	50ft.	100ft.	150ft.
0	6	18	16	16	14
6	10	18	16	14	12
10	12	16	16	14	12
12	16	14	12	Not Recommended	

## ACCESSORIES AND ATTACHMENTS

### RECOMMENDED ACCESSORIES

#### WARNING

Visit your Sears Hardware Department or see the Craftsman Power and Hand Tools Catalog to purchase recommended accessories for this power tool.

#### WARNING

To avoid the risk of personal injury:

- Do not use adjustable (wobble) type dadoes or carbide tipped dado blades.
- Only use stackable dadoes.
- Maximum dado width is 1/2".
- Do not use a dado with a diameter larger than 6".
- Do not use molding head set with this saw.
- Do not modify this power tool or use accessories not recommended by Sears.

## TOOLS NEEDED FOR ASSEMBLY

### SUPPLIED



Blade wrench

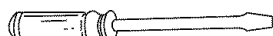


Blade wrench

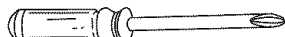


3 mm Hex key

### NOT SUPPLIED



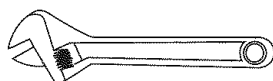
Medium screwdriver



#2 Phillips screwdriver



Straight edge



Adjustable wrench



Combination square

## CARTON CONTENTS

Separate all parts from packing materials. Check each part with the illustration on the next page and the "Table of Loose Parts" to make certain all items are accounted for, before discarding any packing material.

#### WARNING

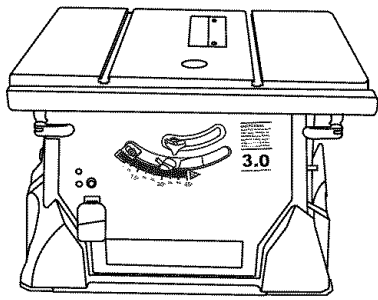
If any part is missing or damaged, do not attempt to assemble the table saw, plug in the power cord, or turn the switch ON until the missing or damaged part is obtained and is installed correctly. To avoid electric shock, use only identical replacement parts when servicing double insulated tools. Call 1-800-4-MY-HOME® for replacement parts.

### TABLE OF LOOSE PARTS

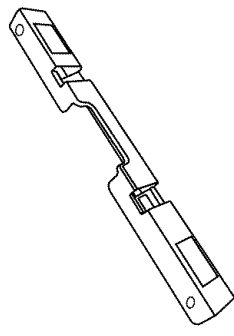
ITEM	DESCRIPTION	QUANTITY
A	Table saw assembly	1
B	Rear table extension	1
C	Rear table extension tube	2
D	Hardware bag assembly	1
E	Blade guard and splitter assembly	1
F	Hardware bag assembly	1 each
G	Handwheel	2
H	Dome nut	2
I	Rip fence	1
J	Hex key	1
K	Blade	1
L	Blade wrench	2
M	Right extension wing table	1
N	Miter gauge	1
O	Hardware bag assembly	1
P	Left table extension	1
Q	Upper tube	2
R	Dust bag	1
<b>STAND</b>		
S	Floor plate	1
T	Stand door	1
U	Stand base	1

**NOTE:** To make assembly easier, keep contents of box together. Apply a coat of automobile wax to the table. Wipe all parts thoroughly with a clean dry cloth. This will reduce friction when pushing the workpiece. To avoid injury, the styrofoam block should be removed between the motor and table.

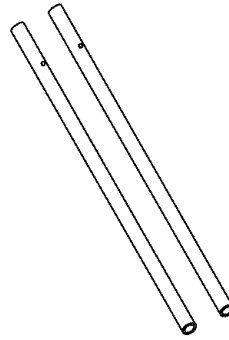
# UNPACKING YOUR TABLE SAW



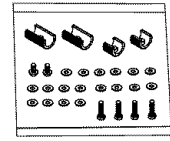
A



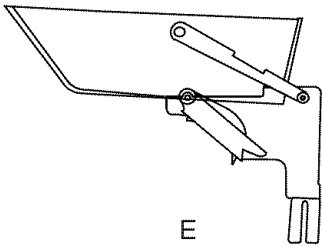
B



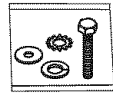
C



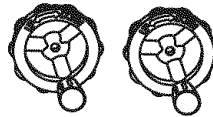
D



E



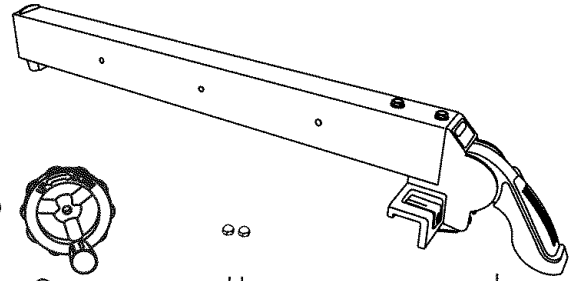
F



G



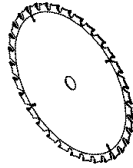
H



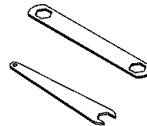
I



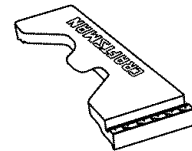
J



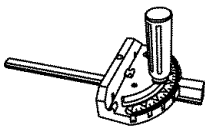
K



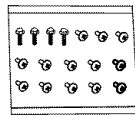
L



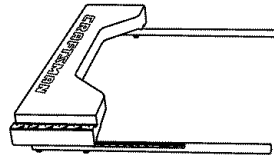
M



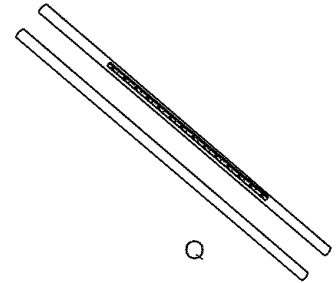
N



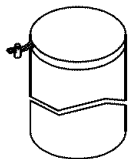
O



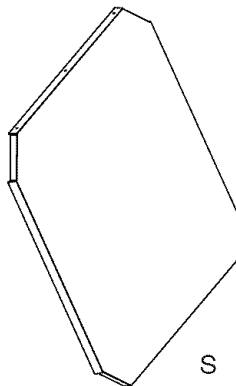
P



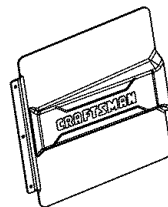
Q



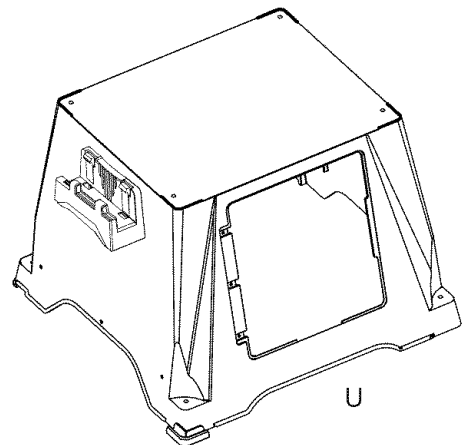
R



S

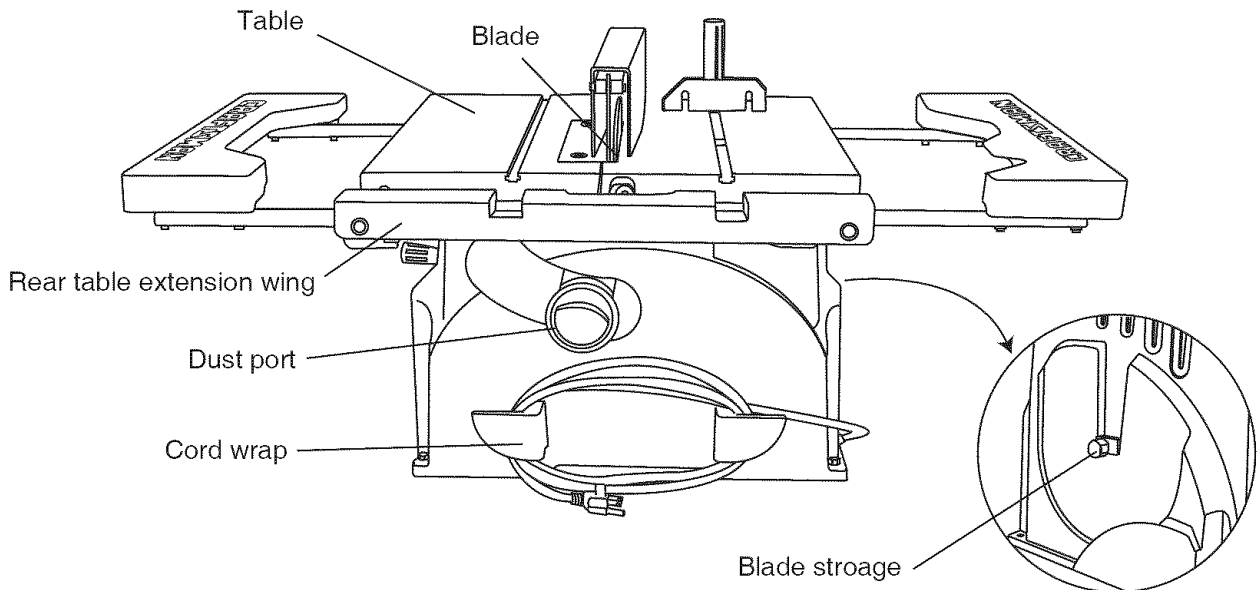
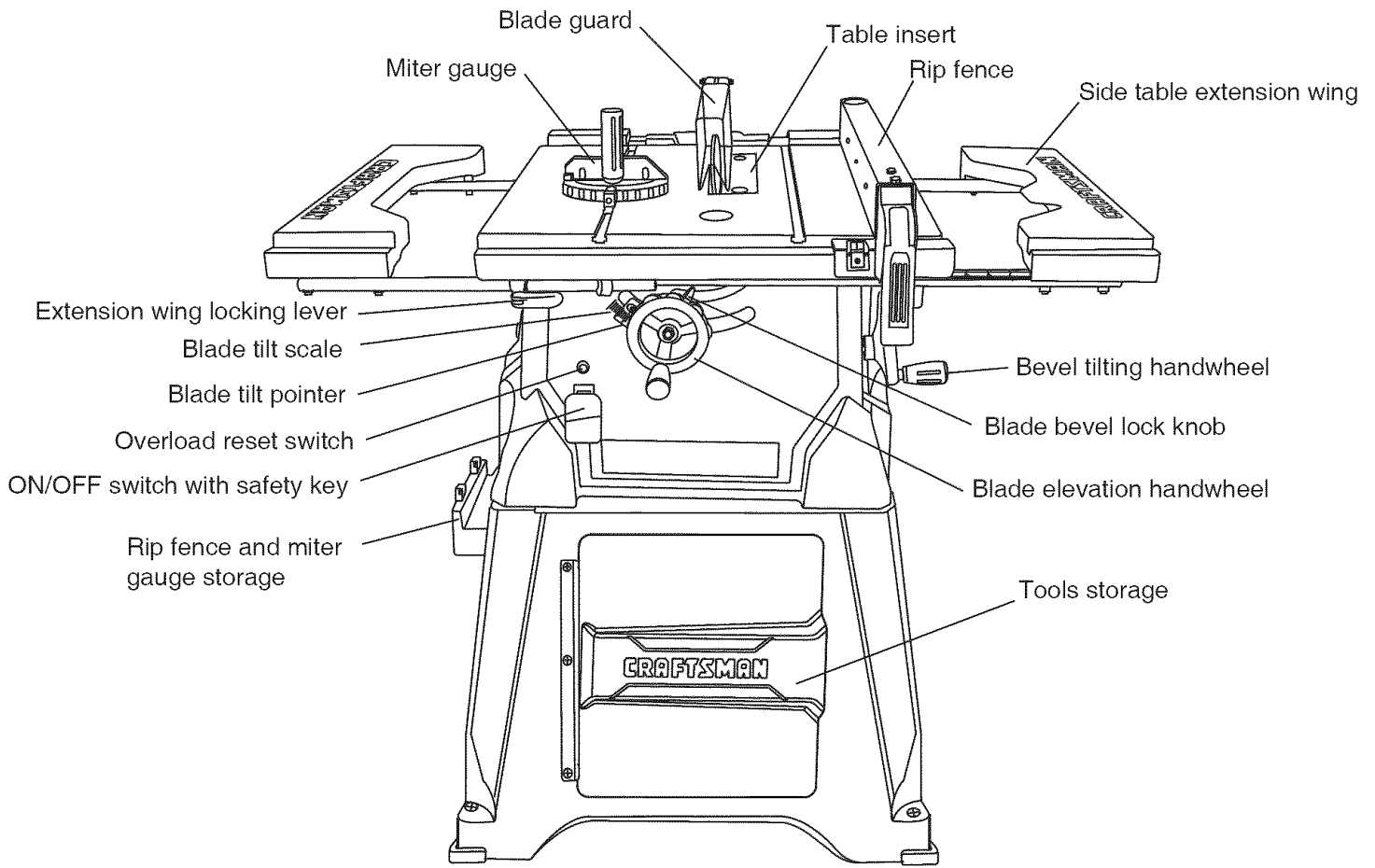


T



U

# KNOW YOUR TABLE SAW





# GLOSSARY OF TERMS

**ANTI-KICKBACK PAWLS** – Prevents the workpiece from being kicked upward or back toward the front of the table saw by the spinning blade.

**ARBOR** – The shaft on which the blade or dado is mounted.

**BEVEL CUT** – An angle cut made through the face of the workpiece.

**BLADE BEVEL SCALE** – Measures the angle the blade is tilted when set for a bevel cut.

**BLADE ELEVATION HANDWHEEL** – Raises and lowers the blade.

**BLADE GUARD** – Clear plastic cover that positions itself over the blade while cutting.

**COMPOUND CUT** – A simultaneous bevel and miter cut.

**CROSSCUT** – A cut made across the width of the workpiece.

**DADO** – Special cutting blades that are used to cut grooves in a workpiece.

**FREEHAND** – Performing a cut without using a rip fence, miter gauge, hold down or other proper device to prevent the workpiece from twisting during the cutting operation.

**GUM** – A sticky sap from wood products.

**HEEL** – Misalignment of the blade.

**JAMB NUT** – Nut used to lock another nut in place on a threaded rod or bolt.

**KERF** – The amount of material removed by the blade cut.

**MITER CUT** – An angle cut made across the width of the workpiece.

**MITER GAUGE** – A guide used for crosscutting operations that slides in the table top channels (grooves) located on either side of the blade. It helps make accurate straight or angle crosscuts.

**OVERLOAD RESET SWITCH** – Resets the thermocouple and provides a way to restart the saw motor if it overloads or overheats.

**PUSH STICK** – Used to push workpieces when performing ripping operations.

**RESIN** – A sticky sap that has hardened.

**REVOLUTIONS PER MINUTE (RPM)** – The number of turns completed by a spinning object in one minute.

**RIP FENCE** – A guide used for rip cutting which allows the workpiece to cut straight.

**RIPPING** – Cutting with the grain of the wood or along the length of the workpiece.

**SAW BLADE PATH** – The area of the workpiece or table top directly in line with the travel of the blade or the part of the workpiece that will be cut.

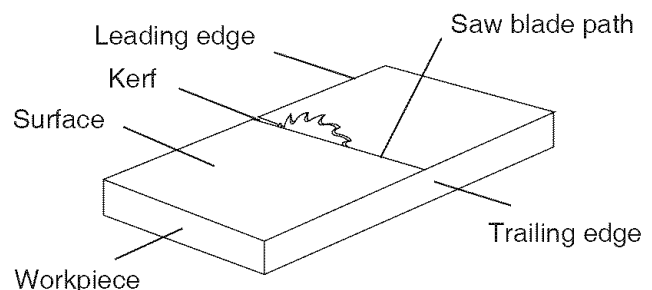
**SET** – The distance between two saw blade tips, bent outward in opposite directions to each other. The further apart the tips are, the greater the set.

**SPLITTER** – Keeps the workpiece split apart after being cut to prevent binding on the blade and workpiece.

**TABLE INSERT** – Insert that is removed from the table to install / remove blades. It is also removed for dado cutting. When dado cutting, a dado insert plate must be used.

**THROUGH SAWING** – Making a cut completely through the length or width of a workpiece.

**WORKPIECE** – Material to be cut.

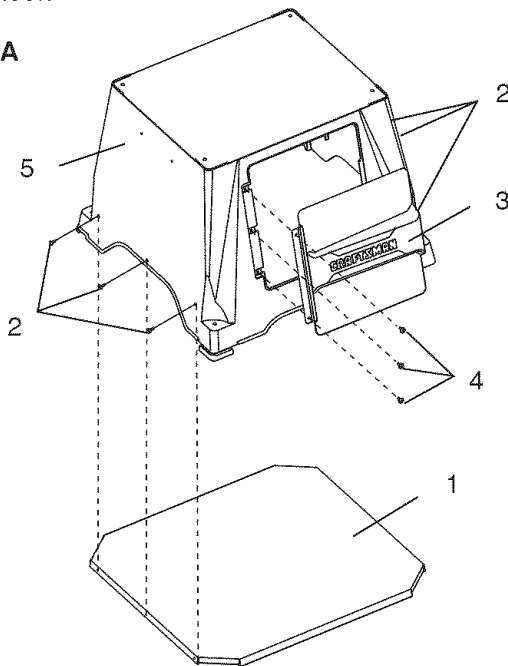


# ASSEMBLY AND ADJUSTMENTS

## ASSEMBLING STAND (FIG. A)

1. Unpack all parts and group by type and size. Refer to the parts list for correct quantities.
2. Attach the stand door (3) to the front of the stand base (5) using three screws M5\*12-12 (4).
3. Attach the floor plate (1) to the stand (5) using ten screws M5\*12-12 (2). See PARTS LIST AND SCHEMATIC FOR STAND SECTION.  
**NOTE:** A shelf (not included) can be added to the stand base (see next section prior to installing the floor plate (1)).
4. Tighten hardware.
5. Place the stand on a level surface and adjust the rear-left adjustable foot, so the stand is contacting the floor.

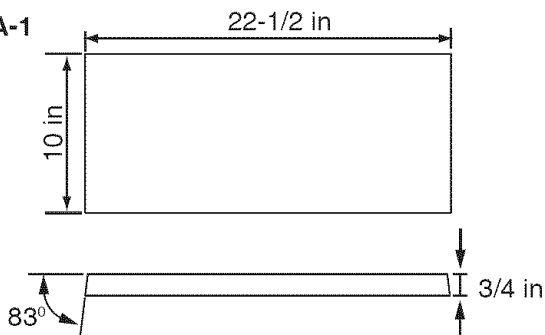
Fig. A



## SHELF CONSTRUCTION (FIG. A-1)

- Use good quality plywood or solid wood
- The shelf must be installed before the floor plate (1) (Fig. A).

Fig. A-1

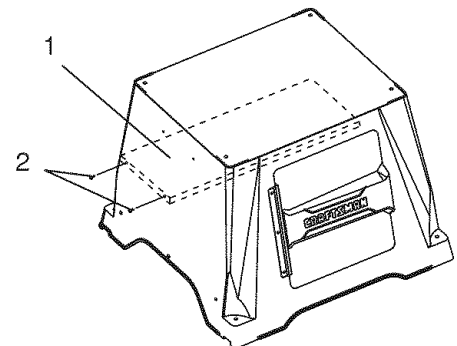


## INSTALLING A SHELF (NOT INCLUDED) (FIG. A-2)

**NOTE:** Attach shelf before assembling the floor plate.

1. Turn the stand upside down.
2. Rest the shelf board against the 4 shelf support fins located on the side of the cabinet.
3. Drill 4 appropriately sized holes, two on each side, through the cabinet into the shelf endgrain.
4. Secure the shelf with four wood screws (not included).
5. Tighten the four wood screws.

Fig. A-2



## ASSEMBLE TABLE SAW TO STAND (FIG. B)

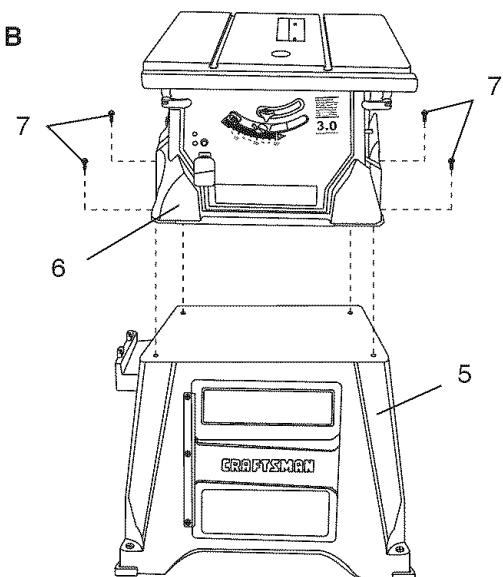
1. Place the saw (6) on the stand (5).
2. Line up the four holes in saw base and stand (5).
3. Fasten saw to stand using four hex bolts (7).
4. Tighten all four hex bolts (7).

**NOTE: DO NOT OVER TIGHTEN. THIS MAY DAMAGE THE SAW BASE.**

## **⚠ WARNING**

**IF THE STAND WILL NOT BE USED, DO NOT OPERATE THE TABLE SAW ON THE FLOOR. THIS IS A VERY DANGEROUS POSITION.**

Fig. B



## MOUNT SAW ON WORK SURFACE

1. If the stand will not be used, the saw must be properly secured to a sturdy workbench using the four mounting holes at the base of the saw.
2. Square the saw on the mounting surface and mark the location of the four 3/8 in. mounting holes.
3. Drill the four 3/8 in. holes into the mounting surface.
4. Place the saw on the work surface, and align the mounting holes of the saw with those drilled through the surface.
5. Fasten the saw to the work surface. Using hardware such as 1/2 in. lug bolts with washer.

### **▲ WARNING**

Do not operate this machine on the floor. This is very dangerous and may cause serious injury.

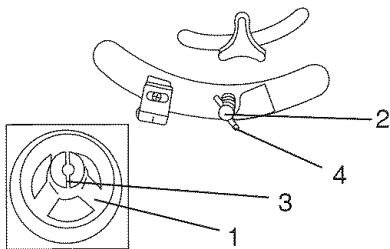
### **▲ WARNING**

Always keep your work area clean, uncluttered and well lit.

## BLADE RAISING HANDWHEEL (FIG. C)

1. Attach the up ~ down handwheel (1) to the elevation rod (2) at the front of the saw. Make sure the slots (3) in the hub of the handwheel (1) engage with the pins (4).
2. Attach and tighten the dome nut (5 - Fig. C-1).

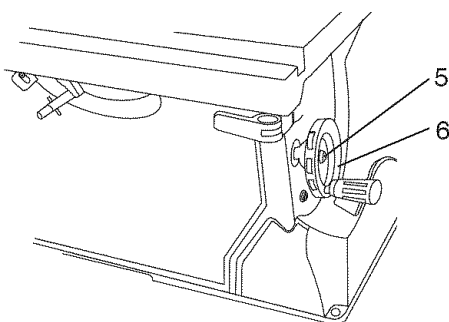
Fig. C



## BLADE TILTING HANDWHEEL (FIG. C-1)

1. Attach the bevel 0° ~ 45° handwheel (6) to the blade tilting rod on the right side of the saw in the same manner as above.
2. Attach and tighten the handwheel dome nut (5).

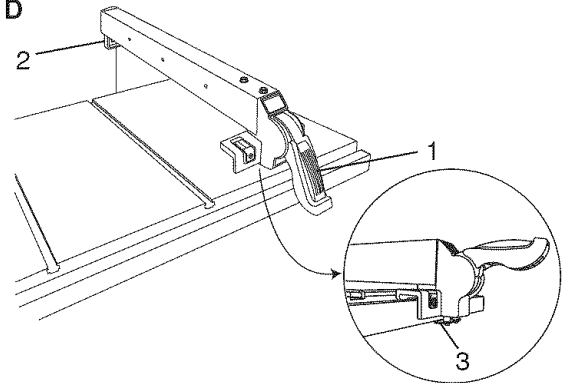
Fig. C-1



## RIP FENCE (FIG. D)

1. Lift upward on the rip fence handle (1) so the rear holding clamp (2) is fully extended.
2. Place the rip fence on the saw table, and attach the set plate (3) under the fence handle (1) to the rail first.
3. Push down on the fence handle (1) to lock.

Fig. D



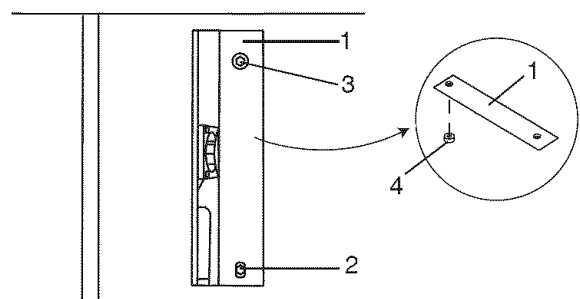
## INSTALLING AND CHANGING THE BLADE (FIG. E, F, G)

### **▲ WARNING**

- To avoid injury from an accidental start, make sure the switch is in the OFF position and the plug is not connected to the power source outlet.
- To avoid serious injury, the rear of the table insert must be level with the table. To adjust rear of table insert, adjust the screw (3) in or out until the rear of the insert is level to or slightly above the table. To raise the insert, turn the screw counterclockwise, to lower the insert, turn the screw clockwise. NOTE: A rubber adjusting spacer (4) is provided under rear of insert for this purpose.

1. Remove the table insert (1) by removing the two screws (2, 3). Be careful not to lose the rubber adjusting spacer (4) that is on the back screw (3) beneath the table insert (Fig. E).

Fig. E

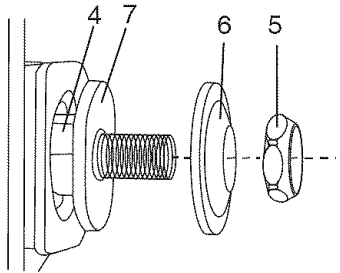


2. Raise the blade arbor (4-Fig. F) to the maximum height by turning the blade raising handwheel counterclockwise.
3. Place the open-end wrench (8) jaws on the flats of the saw arbor to keep the arbor from turning (Fig. G) and place the box-end wrench (9) on the arbor nut (5), and turn counterclockwise.
4. Remove the arbor nut (5) and outer flange (6-Fig. F).
5. Install the saw blade onto the arbor with the **BLADE TEETH POINTING TOWARD THE FRONT OF THE SAW.**
6. Install the flange (6) against the blade and thread the arbor nut (5) as far as possible by hand. Ensure that the blade is flush against the inner side of the blade flange.

**▲ WARNING**

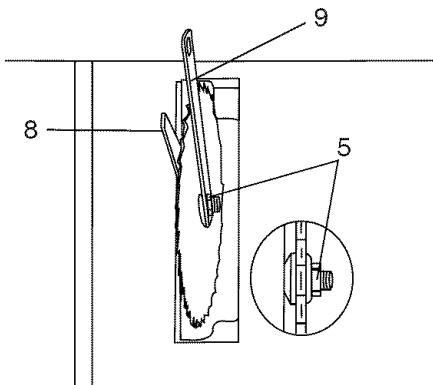
To avoid possible injury and damage to the workpiece, be sure to **INSTALL THE BLADE WITH THE TEETH POINTING TOWARD THE FRONT OF TABLE** in the direction of the rotation arrow on the blade guard.

Fig. F



7. To tighten the arbor nut, (5) place the open-end wrench (8) on the flats of the saw arbor to keep the arbor from turning (Fig. G).
8. Place the box-end wrench (9) on the arbor nut (5), and turn clockwise (to the rear of the saw table).
9. Replace the blade insert in the table recess, insert the screws through the front and rear holes and tighten remembering the rubber adjusting spacer (4-Fig. E) under the rear of the insert and leveling the rear of the insert to the table.

Fig. G



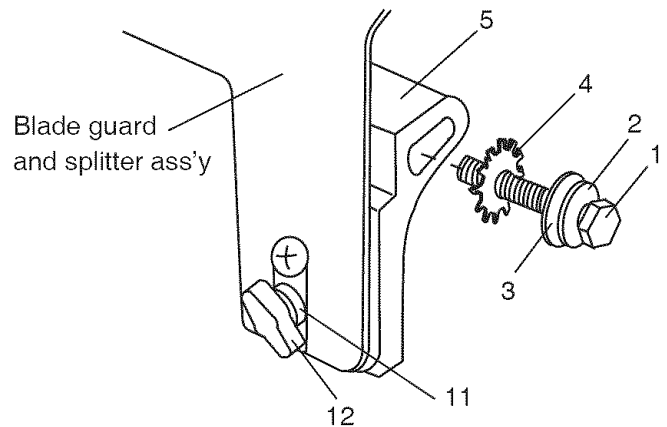
**▲ WARNING**

To avoid injury from a thrown workpiece, blade parts, or blade contact, never operate saw without the proper insert in place. Use the original installed insert for all through-sawing operations except dado cuts. A special dado insert plate must be installed when using a dado blade.

**BLADE GUARD ASSEMBLY (FIG. H, I, J)**

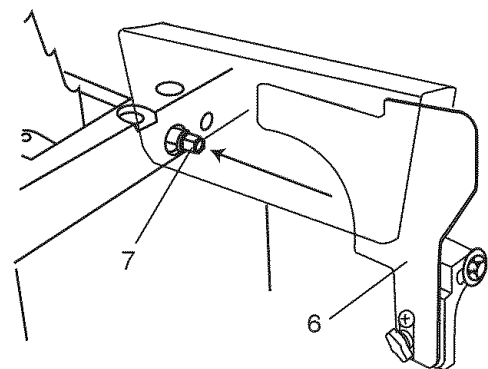
1. Set the blade to maximum height and the tilt to zero degrees on the bevel scale with the hand wheels. Lock the blade bevel lock knob.
2. Place the spring washer (2), flat washer (3), external tooth lock washer (4) onto the blade guard mounting bolt (1) (Fig. H).
3. Insert bolt and washer assembly through splitter bracket (5).

Fig. H



4. Install the blade guard and splitter assembly (6) into the rear of the saw table. Thread the bolt (1-Fig. H) into the internally threaded pivot rod (7) until snug.

Fig. I



5. Lift blade guard arm (8) up and using a straight edge, align the blade guard and splitter ass'y (9) with the saw blade (10) (Fig. J).
6. Shift the splitter bracket assembly to right or left until parallel alignment to the blade is achieved.

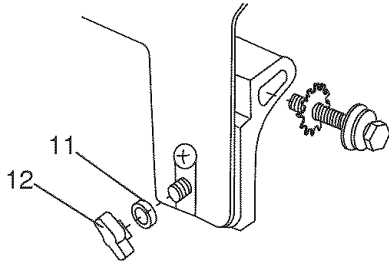
- When the splitter is properly aligned with the saw blade, tighten the bolt securely.

**NOTE: The splitter bracket must always be correctly aligned so the cut workpiece will pass on either side without binding or twisting.**

**▲ WARNING**

See Fig. I-1 flat washer (11) must be under knob (12). **NOTE: Be sure to tighten knob very tight and periodically check tightness.**

Fig. I-1



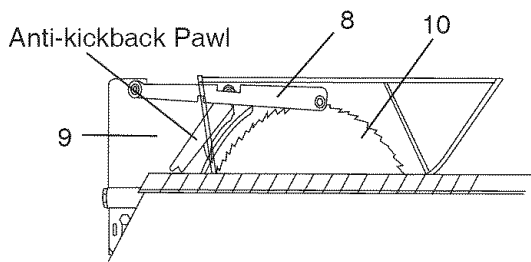
**AVOID KICKBACKS (FIG. J)**

(Work thrown back towards you) by keeping the blade sharp, the rip fence parallel to the saw blade and by keeping the splitter, anti-kickback pawls and guards in place, aligned and functioning. Do not release work before passing it completely beyond the saw blade. Do not rip work that is twisted, warped or does not have a straight edge to guide it along the fence. Do not attempt to reverse out of a cut with the blade running.

**▲ WARNING**

Improper splitter alignment can cause “kickback” and serious injury.

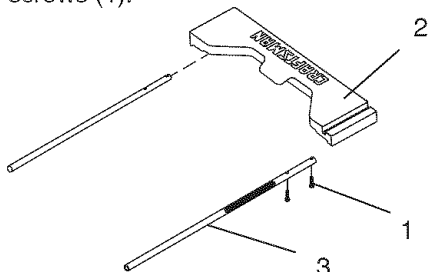
Fig. J



**INSTALLING RIGHTSIDE TABLE EXTENSION WING (FIG. K)**

- Insert the two extension mounting tubes (3) into the side table extension wing (2).
- Insert the screws (1) through the mounting tubes (3) into the side table extension wing (2).
- Tighten the screws (1).

Fig. K



**INSTALLING TABLE SIDE EXTENSIONS (FIG. L, L-1)**

- Identify the right hand table extension.
 

**NOTE:** For illustration purposes the view in Fig. L looks “through” the saw table to the under side of the table. The right hand table extension is the one with the measuring scale visible from the front of the saw when it is installed to the right hand side of the saw table.
- Unlock both front and rear cam locking levers (4) on the right hand side of the saw base by flipping the lever over.
- Insert the table extension mounting tubes (2) into the two matching holes in the cam lever assemblies.
 

**NOTE:** Make sure the front mounting tube has the measuring scale visible from the front of the saw.
- Slide the table extension toward the table until it rests against the saw table.
- Lock both cam locking levers by pushing them in toward the cam locking lever assemblies.
- If the extension is not level to the table, adjust by inserting the spacers (Carton Contents D) between the extension and the tube it mounts onto. See page 17.
- Make sure the screw (1) into the matching hole (2) of the extension mounting tube (3).
- Install the left hand table extension the same manner

**NOTE:**

- Make sure the screw (1) into the matching hole (2) of the extension mounting tube (3) (Fig. L-1).
- For illustration purposes, the view in Fig. L looks “through” the saw table to the under side of the table.

Fig. L

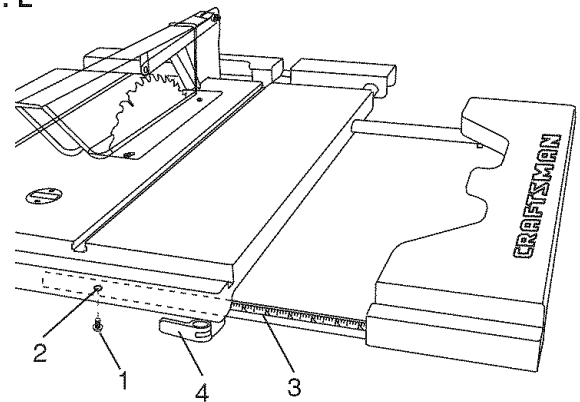
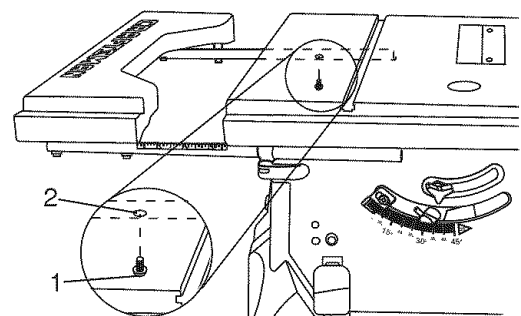


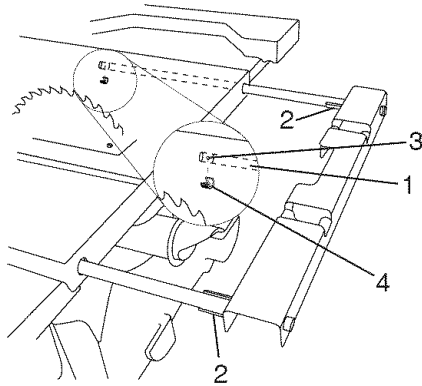
Fig. L-1



### INSTALLING REAR TABLE EXTENSION (FIG. M)

1. Place the rear table extension onto the two rear table extension tubes (1).
2. Snap two long location seats (2) over the two rear table extension tubes (1). Make sure the locating pin in the location seat fits into the matching hole (3) in the extension tube.
3. Insert rear table extension tubes (1) into the two holes in the rear of the saw table and into extension tube brackets under the table. Position rear table support so instruction labels are facing up.
4. Snap one short location seat (4) over the end of the left rear table extension tubes (1). Make sure the locating pin in the location seat fits into the matching hole in the extension tube.

Fig. M



### ADJUSTING REAR TABLE EXTENSION

1. Rear table extension should be positioned as close as possible to the rear of the table when ripping short work pieces.
2. Rear table extension should be pulled out fully until the location seat prevents it from moving outward when ripping long work pieces that require extra support as you are completing the cut.

### RIP FENCE ADJUSTMENT (FIG. N)

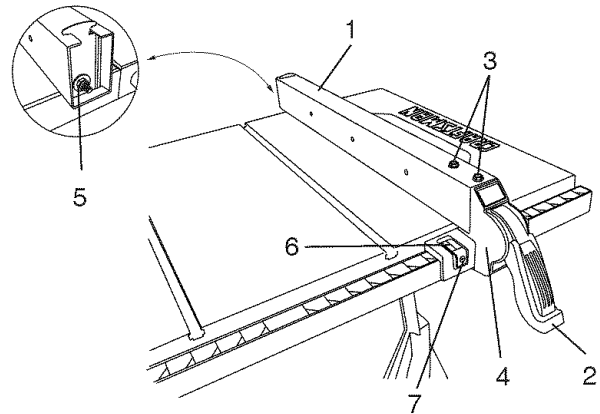
1. The fence (1) is moved by lifting up on the handle (2) and sliding the fence to the desired location. Pushing down on the handle locks the fence in position.
2. Position the fence on the right side of the table and along the edge miter gauge groove.
3. Lock the fence handle. The fence should be parallel with the miter gauge groove.
4. If adjustment is needed to make the fence parallel to the groove, do the following:
  - Loosen the two screws (3) and lift up on the handle (2).
  - Hold the fence bracket (4) firmly against the front of the saw table. Move the fence until it is parallel with the miter gauge groove.
  - Push the handle down and tighten both screws.

5. If fence is loose when the handle is in the locked (downward) position, do the following:
  - Move the handle (2) upward and turn the adjusting nut (5) clockwise until the rear clamp is snug.
  - Over-tightening the adjusting screw will cause the fence to come out of alignment.

### **▲ WARNING**

Failure to properly align fence can cause “kickback” and serious injury.

Fig. N



### RIP FENCE INDICATOR ADJUSTMENT (FIG. N)

1. The rip fence indicator (6) points to the measurement scale. The scale shows the distance from the side of the fence to nearest side of the blade.
2. Measure the actual distance with a rule. If there is a difference between the measurement and the indicator, adjust the indicator (6).
3. Loosen the screw (7) and slide the indicator to the correct measurement on the scale. Tighten the screw and remeasure with the rule.

### **▲ WARNING**

To avoid injury from an accidental start, make sure the switch is in the OFF position and the plug is not connected to the power source outlet.

### ADJUSTING THE 90° (0°) AND 45° POSITIVE STOPS (FIG. O, P, Q)

Your saw has positive stops that will quickly position the saw blade at 90° (0°) to the table. Make adjustments only if necessary.

## 90° (0°) Stop

1. Disconnect the saw from the power source.
2. Turn the blade elevation handwheel and raise the blade to the maximum elevation.
3. Loosen the blade bevel lock knob (1) and move the blade to the maximum vertical position, then tighten the lock knob (1).
4. Place a combination square on the table and against the blade (2) to determine if the blade is 90° (0°) to the table. (Fig. P)
5. If the blade is not 90° (0°) to the table, loosen the two set screws (4), located on the collar (5) underneath the table saw (Fig. Q) with the hex key (Carton Contents J) and back off the collar.
6. Loosen the bevel lock knob, turn the blade tilting handwheel to move the blade until it is 90° (0°) to the table and tighten the bevel lock knob.
7. Adjust the collar (5) so it contacts the bracket (3) when the blade is 90° (0°) to the table. Tighten the two set screws (4) (Fig. Q).

Fig. O

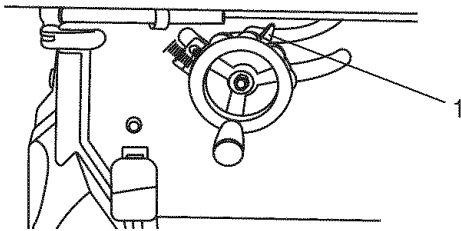
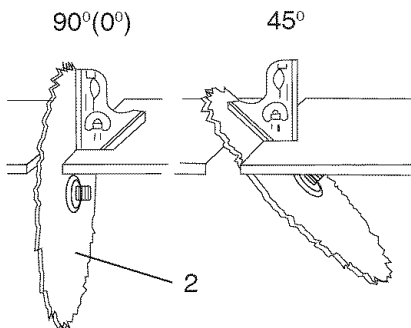


Fig. P



## 45° Stop

1. With the blade in the upright 90° (0°) position, loosen the bevel lock knob and move the blade to the maximum bevel angle.
2. Place the combination square on the table as shown in Fig. P to check if the blade is 45° to the table.
3. If the blade is not 45° to the table, loosen the two set screws (4), located on the collar (5) underneath the table saw, (Fig. Q) with the hex key (Carton Contents J), and back off the collar.

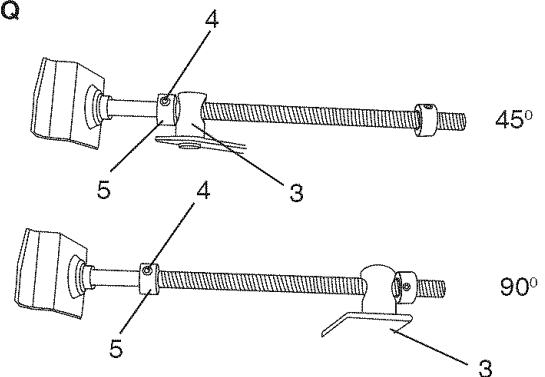
4. Loosen the blade bevel lock knob, turn the blade tilting handwheel to move the blade until it is 45° to the table and tighten the blade bevel lock knob.
5. Adjust the collar (5) so it contacts the bracket (3) when the blade is 45° to the table. Tighten the two set screws.

## BLADE TILTING POINTER

1. When the blade is positioned at 90° (0°), adjust the blade tilt pointer to read 0° on the scale.
2. Loosen the mounting screw, position pointer over 0° and tighten the screw.

**NOTE:** Make a trial cut on scrap wood before making critical cuts. Measure for exactness.

Fig. Q



## BLADE PARALLEL TO THE MITER GAUGE GROOVE (FIG. R, S)

### ▲ WARNING

This adjustment was made at the factory, but it should be rechecked and adjusted if necessary.

### ▲ WARNING

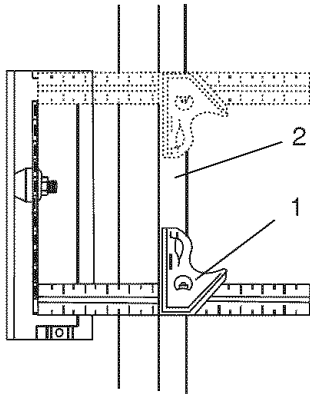
To prevent personal injury:

- Always disconnect plug from the power source when making any adjustments.
- This adjustment must be correct or accurate cuts can not be made. Also inaccurate adjustment can result in kickback and serious personal injury.

1. Remove the safety switch key and unplug the saw.
2. Remove the blade guard for this procedure but reinstall and realign after adjustment.
3. Raise the blade to the highest position and set at the 0° angle (90° straight up).
4. Select and mark, with a felt tip maker, a blade tooth having a "right set" and rotate the blade so the marked tooth is ½ in. above the table.
5. Place the combination square base (1) into the right side miter gauge groove (2). (Fig. R)
6. Adjust the rule so it touches the front marked tooth and lock ruler so it holds its position in the square assembly.

7. Rotate the blade bringing the marked tooth to the rear and about 1/2 in. above the blade.
8. Carefully slide the combination square to the rear until the ruler touches the marked tooth.
9. If the ruler touches the marked tooth at the front and rear position, no adjustment is needed at this time. If not or the base of the rule is no longer parallel with the edge of the miter gauge groove, perform adjustment procedure described in next section.

**Fig. R**



**ADDITIONAL BLADE ADJUSTMENTS (FIG. S)**

**NOTE:** The adjusting lock nuts are 8 mm.  
The adjusting mechanism is located above the blade height adjusting hand wheel under the tabletop. If the front and rear measurements are not the same.

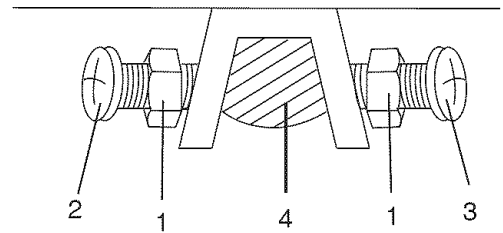
**If the blade is partial to right side:**

1. Loosen the two lock nuts (1) and turn the left adjustment screw (2) counterclockwise, then adjust the right side adjustment screw (3) clockwise.
2. Remeasure, as described in steps 4 to 9 in the prior section.
3. When alignment is achieved, turn the left adjustment screw (2) until it touches the pivot rod (4) then tighten both lock nuts (1).

**If the blade is partial to left side:**

1. Loosen the two lock nuts (1) and turn the right adjustment screw (3) counterclockwise, then adjust the left side adjustment screw (2) clockwise.
2. Remeasure, as described in steps 4 to 9 in the prior section.
3. When alignment is achieved, turn the right adjustment screw (3) until it touches the pivot rod (4) then tighten both lock nuts (1).

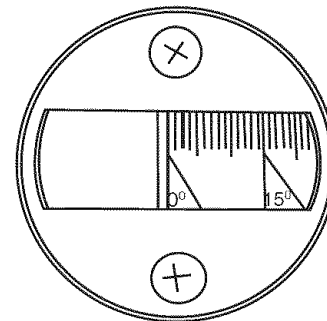
**Fig. S**



**BLADE TILTING INDICATOR (FIG. T)**

1. When the blade is positioned at 90°, adjust the blade tilt pointer to read 0° on the scale.
2. Remove the magnifier, position the pointer over 0° and replace the magnifier.

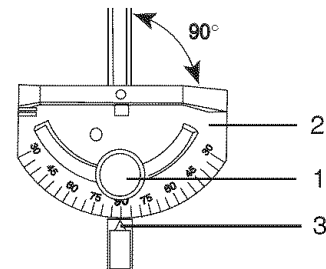
**Fig. T**



**MITER GAUGE ADJUSTMENT (FIG. T-1)**

1. Loosen the lock handle (1) to allow miter body (2) to rotate freely (Fig. T-1). Position the miter body at 90° so the positive detent secures its position. Tighten the lock handle to hold the miter body in position.
2. If the pointer (3) requires adjustment, loosen the screw under the pointer with a hex key. Adjust the pointer to 90° on the scale then firmly tighten the adjustment screw.
3. To change angles on miter gauge, loosen the lock handle (1) and rotate the miter body to desired angle as indicated by the scale. Secure in position by tightening the lock handle.

**Fig. T-1**





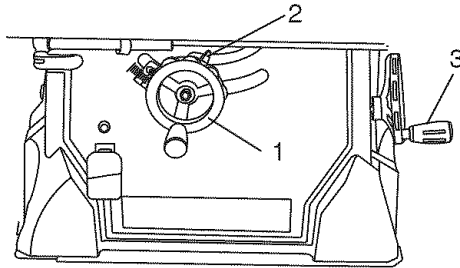
# OPERATION

## BASIC SAW OPERATIONS

### RAISE THE BLADE (FIG. U)

To raise or lower the blade, turn the blade elevation handwheel (1) to the desired blade height, and then tighten lock handle (2) to maintain the desired blade angle.

Fig. U



### TILTING THE BLADE (FIG. U)

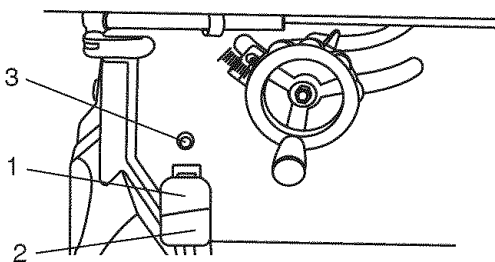
1. To tilt the saw blade for bevel cutting, loosen the bevel lock knob (2) and turn the tilting handwheel (3).
2. Tighten the bevel lock knob (2) to secure.

### ON/OFF SWITCH (FIG. V)

The ON / OFF switch has a removable safety key. With the key removed from the switch, unauthorized and hazardous use by children and others is minimized and the saw will not turn on.

1. To turn the saw ON, insert key (1) into the slot in the switch (2). Move the switch upward to the ON position.
2. To turn the saw OFF, move the switch downward.
3. To lock the switch in the OFF position, grasp the sides (or yellow part) of the switch toggle (1), and pull it out.
4. With the switch key removed, the switch will not operate.
5. If the switch key is removed while the saw is running, it can be turned OFF but cannot be restarted without re-inserting the switch key (1).

Fig. V



### OVERLOAD PROTECTION (FIG. V)

This saw has an overload relay button (3) that resets the motor after it shuts off due to overloading or low voltage. If the motor stops during operation, turn the ON / OFF switch to the OFF position and unplug the saw. Wait about five minutes for the motor to cool. Plug in the saw, push in the reset button (3) and turn the switch to the ON position.

### ▲ WARNING

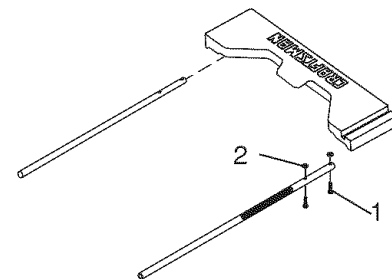
To avoid injury, the ON / OFF switch should be in the OFF position and the plug removed from the power source while the cool down takes place, to prevent accidental starting when the reset button is pushed. Overheating may be caused by misaligned parts or a dull blade or undersized extending cord. Inspect your saw for proper setup before using it again.

### USING THE TABLE EXTENSION (FIG. W, X)

If the table extension is not parallel with the table, remove the bolts (1) and position the extension leveling spacers (2) between the table extension and tube until it is parallel with the table, then tighten the bolts.

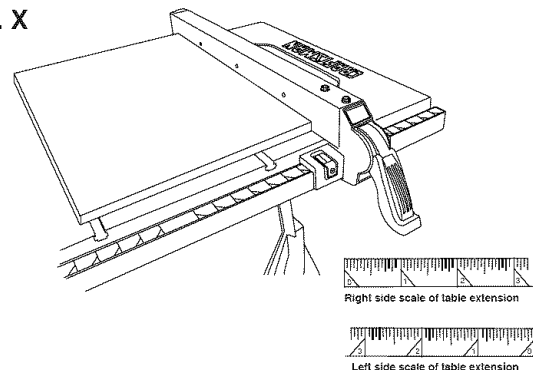
**NOTE:** See page 6 for table of loose parts ITEM: D

Fig. W



1. Release the extension cam locking levers.
2. Slide the extension out until the correct measurement is displayed on the tube scale. The user sights the scale off the edge of the table.
3. Tighten all extension lock handles.

Fig. X



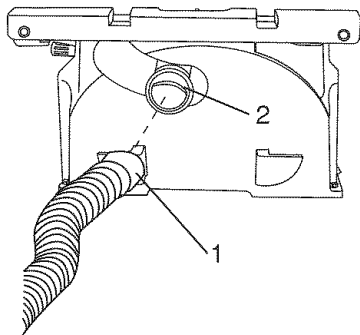
## USING THE DUST CHUTE (FIG. Y)

### **▲ WARNING**

To prevent fire hazard, clean and remove sawdust from under the saw frequently.

To prevent sawdust buildup inside the saw housing, attach a vacuum hose (1) to the dust chute (2) at the rear of the table saw. Do not operate the saw with the hose in place unless the vacuum is turned on.

Fig. Y



## CUTTING OPERATIONS

There are two basic types of cuts: ripping and crosscutting. Ripping is cutting along the length and the grain of the workpiece. Crosscutting is cutting either across the width or across the grain of the workpiece. Neither ripping nor crosscutting may be done safely freehand. Ripping requires the use of the rip fence, and crosscutting requires the miter gauge. **NEVER USE THE TWO AT THE SAME TIME.**

### **▲ WARNING**

Before using the saw each and every time, check the following:

1. Blade is tight on the arbor.
2. Bevel angle lock knob is tight.
3. If ripping, fence knob is tight and fence is parallel to the miter gauge grooves.
4. Blade guard is in place and working properly.
5. Safety glasses are being worn.

The failure to adhere to these common safety rules, and other printed within this manual, can greatly increase the likelihood of injury.

## RIPPING (FIG. AA, BB)

### **▲ WARNING**

To prevent serious injury:

- Never use the miter gauge when ripping.
- Never use more than one rip fence during a single cut.
- Keep both hands away from the blade and path of the blade.
- The workpiece must have a straight edge against

the fence and must not be warped, twisted, or bowed.

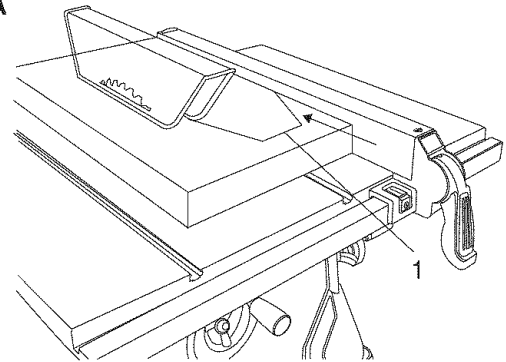
- Do not allow familiarity or frequent use of your table saw to cause careless mistakes. Remember that even a careless fraction of a second is enough to cause a severe injury.

1. Remove the miter gauge. Secure the rip fence to the table at the desired rip measurement.
2. Raise the blade so it is about 1/8 in. higher than the top of the workpiece.
3. Place the workpiece flat on the table and against the fence so the larger portion of the workpiece is between the blade and the fence. Keep the workpiece about 1 in. away from the blade.
4. Turn the saw ON and wait for the blade to come up to speed.
5. Slowly feed the workpiece into the blade. To feed workpiece into blade, only push against the back of the workpiece on the part (1) that will pass between the blade and the fence. Use a push stick at all times.

### **▲ WARNING**

**AVOID KICKBACK** To avoid kickback, only push against the back of the workpiece on the part (1) that will pass between the blade and fence. Use a push stick at all times.

Fig. AA

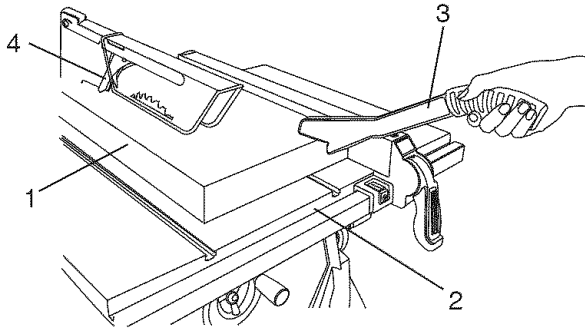


6. Keep your thumbs off the table top. When your hand reaches the front edge of the table (2), finish the cut with a push stick (3) (Fig. BB). You can make a push stick using the pattern on page 28.
7. **The push stick (3) should always be used for any ripping operations. (Fig. BB)**
8. Continue pushing the workpiece with the push stick (3) until it passes the blade guard and clears the rear of the table.

**▲ WARNING**

Never attempt to pull the workpiece backwards during a cutting operation. This will cause kickback and serious injury to the user can occur. When the blade completely stops raise the anti-kickback pawls (4) on each side of the splitter and slide the workpiece out.

Fig. BB



**BEVEL RIPPING**

This cut is the same as a rip cut except the blade bevel angle is set to an angle other than "0".

**▲ WARNING**

Cut only with the workpiece and the fence on the right side of the blade.

**RIPPING SMALL PIECES**

**▲ WARNING**

Avoid injury from the blade contact. Never make through-saw cuts narrower than 3/4 in. wide.

1. It is unsafe to rip small pieces. Instead, rip a larger piece to obtain the size of the desired piece.
2. When a small width is to be ripped, your hand cannot be safely put between the blade and the rip fence, therefore, use one or more push sticks to pass the workpiece completely through and past the blade.

**CROSSCUTTING 90° MITER ANGLE (FIG. CC)**

**▲ WARNING**

To prevent serious injury:

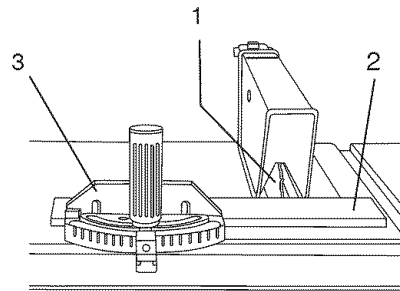
- Do not allow familiarity or frequent use of your table saw to cause careless mistakes. Remember that even a careless fraction of a second is enough to cause a severe injury.
- Keep both hands away from the blade and the path of the blade.

- Never attempt to pull the workpiece backwards during a cutting operation. This will cause kickback and serious injury to the user can occur.
1. Remove the rip fence and place the miter gauge a miter gauge groove on the table.
  2. Adjust the blade height so it is 1/8 in. higher than the top of the workpiece.
  3. Hold the workpiece firmly against the miter gauge with the blade path in line with the desired cut location. Move the workpiece to one inch distance from the blade.
  4. Start the saw and wait for the blade (1) to come up to full speed. Never stand directly in line of the saw blade path, but always stand to the side of the blade that you are cutting on.
  5. Keep the workpiece (2) against the face of the miter gauge (3) and flat against the table. Then slowly push the workpiece through the blade.
  6. Do not try to pull the workpiece back with the blade turning. Turn the switch OFF, and carefully slide the workpiece out when the blade is completely stopped.

**▲ WARNING**

Always position the larger surface of the workpiece on the table when crosscutting and/or bevel crosscutting to avoid instability.

Fig. CC



**BEVEL CROSSCUTTING (FIG. DD)**

**0°~45° BLADE BEVEL & 90° MITER ANGLE**

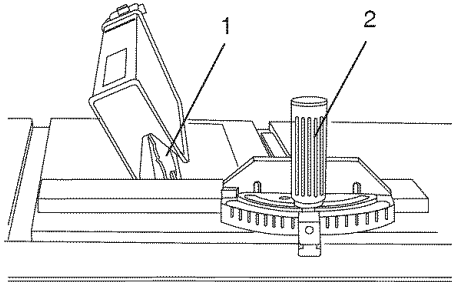
This cutting operation is the same as crosscutting except the blade is at a bevel angle other than 0°.

**▲ WARNING**

Always work to the right side of the blade during this type of cut. The miter gauge must be in the right side groove because the bevel angle may cause the blade guard to interfere with the cut if used on the left side groove.

1. Adjust the blade (1) to the desired angle, and tighten the blade bevel lock knob.
2. Tighten miter lock handle (2) at 90°.
3. Hold workpiece firmly against the face of the miter gauge throughout the cutting operation.

**Fig. DD**



**COMPOUND MITER CROSSCUTTING (FIG. EE)  
0°~45° BLADE BEVEL & 0°~45° MITER ANGLE**

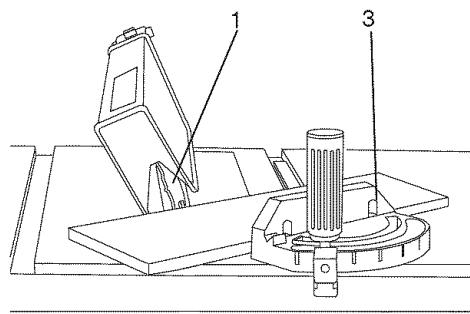
This sawing operation is combining a miter angle with a bevel angle.

**▲ WARNING**

Always work to the right side of the blade during this type of cut. The miter gauge must be in the right side groove because the bevel angle may cause the blade guard to interfere with the cut if used on the left side groove.

1. Set the miter gauge (3) to the desired angle.
2. Place the miter gauge in the right side groove of the table.
3. Set the blade (1) bevel to the desired bevel angle and tighten the blade bevel lock knob.
4. Hold workpiece firmly against the face of the miter gauge throughout the cutting operation.

**Fig. EE**

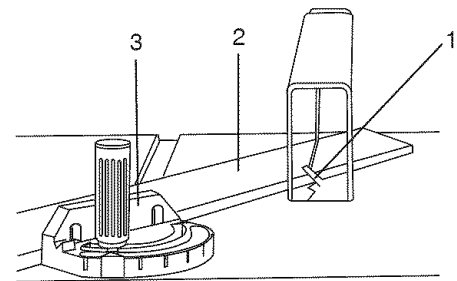


**MITERING 0°~45° MITER ANGLE (FIG. FF)**

This sawing operation is the same as crosscutting except the miter gauge is locked at an angle other than 90°.

1. Set the blade (1) to 0° bevel angle and tighten the blade bevel lock knob.
2. Set the miter gauge (3) at the desired miter angle and lock in position by tightening the miter gauge locking handle.
3. Hold the workpiece (2) firmly against the face of the miter gauge throughout the cutting operation.

**Fig. FF**



**▲ WARNING**

**ABRASIVE AND METAL CUTTING BLADES MUST NOT BE USED WITH THIS SAW**

This saw was not made to cut metals or masonry materials. Doing so may result in injury. It will also void the warranty.

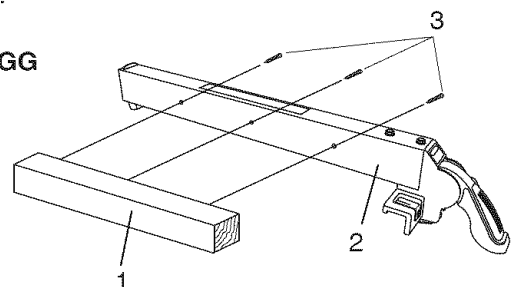
**USING WOOD FACING ON THE RIP FENCE (FIG. GG)**

When performing some special cutting operations, you can add a wood facing (1) to either side of the rip fence (2).

**NOTE:** Before using wood facing on the rip fence, make sure the auxiliary fences are lowered flush to the table top.

1. Use a smooth straight 3/4 in. thick wood board (1) that is as long as the rip fence.
2. Attach the wood facing to the fence with wood screws (3) through the hole in the fence. A wood fence should be used when ripping material such as thin paneling to prevent the material from catching between the bottom of the fence and the table.

**Fig. GG**



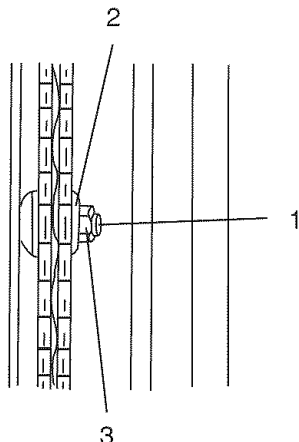
## DADO CUTS (FIG. HH)

- Only Stackable dado blades can be used on this saw.
  - DO NOT use Adjustable or Wobble type dados.
  - Maximum dado cut width is  $\frac{1}{2}$  in.
1. A dado table insert must be purchased separately for this saw to accept a dado blade. Remove saw blade and blade guard for dado cuts **ONLY**. Reinstall and realign blade guard for all through-sawing operations. Install a dado not exceeding 6 in. in diameter and  $\frac{1}{2}$  in. in width
  2. Install the dado table insert making sure the rear of the insert is flush with the table. A rubber adjusting spacer is provided under the rear of the insert for this purpose.
  3. Instruction for operating the dado is packed with the separately purchased dado set.
  4. The arbor (1) on this saw restricts the maximum width of the cut to  $\frac{1}{2}$  in.
  5. It is not necessary to install the outside flange (2) before threading on the arbor nut (3) for maximum  $\frac{1}{2}$  in. dado cuts. Make sure that the arbor nut (3) is tight, and that at least one thread of the arbor sticks out past the nut.
  6. Use only the correct number of round outside blades and inside chippers as shown in the dado set's instruction manual. Blade/chippers must not exceed  $\frac{1}{2}$  in. total in width.
  7. Check saw to ensure that the dado will not strike the housing, insert, or motor when in operation.

### **WARNING**

For your own safety, always replace the blade, blade guard assembly, and doda insert when you are finished with the dado operation. You must also realign the blade guard assembly.

Fig. HH



# MAINTENANCE

## MAINTAINING YOUR TABLE SAW

### GENERAL MAINTENANCE

#### **▲ WARNING**

Before maintaining or lubricating the saw, turn switch off, remove the switch key, and unplug the saw.

1. Clean out all sawdust that has accumulated inside the saw cabinet and the motor.
2. Polish the saw table with an automotive wax to keep it clean and to make it easier to slide the workpiece.
3. Clean cutting blades with pitch and gum remover.
4. Immediately replace a worn, cut, or damaged power cord.

#### **▲ WARNING**

All electrical or mechanical repairs should be attempted only by a trained repair technician. Contact the nearest Sears Service Center for service. Use only identical replacement parts. Any other parts may create a hazard.

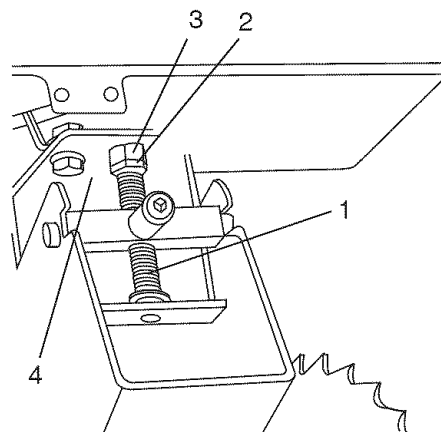
5. Use liquid dish washing detergent and water to clean all plastic parts.  
**NOTE:** Certain cleaning chemicals can damage plastic parts.
6. Avoid use of the following cleaning chemicals or solvents: ammonia and household detergents containing ammonia.

### BLADE RAISING AND TILTING MECHANISM (FIG. FF)

After each five full hours of operation, the blade raising mechanism and tilting mechanism should be checked for looseness, binding, or other abnormalities. With the saw disconnected from the power source, turn the saw upside down and alternately pull upward and downward on the motor unit. Observe any movement of the motor mounting mechanism. Adjusted looseness or play in the blade raising screw (1) (Fig. FF). As follows:

1. Using a 14 mm wrench, loosen the check-nut (2).
2. Adjust nut (3) until it is finger-tight against the bracket (4), and then back off the nut (3) 1/6 turn.
3. Tighten nut (2) with a second 14 mm wrench, while holding nut (3) with the first wrench in place. Maximum allowable play of screw rod (1) is 0.16 in. (4 mm).

Fig. FF



You can place a small amount of dry lubricant on bevel angle adjustment rod also. This rod (1) must be kept clean and free of sawdust, gum, pitch, and other contaminants for smooth operation.

If excessive looseness is observed in any parts of the blade raising mechanism or tilting mechanism, take the complete unit to a Sears Service Center.

### LUBRICATION

All motor bearings are permanently lubricated at the factory and require no additional lubrication.

On all mechanical parts of your table saw where a pivot or threaded rod are present, lubricate using graphite or silicone. These dry lubricants will not hold sawdust as would oil or grease.

# TROUBLESHOOTING GUIDE

## WARNING

To avoid injury from an accidental start, turn the switch OFF remove the switch key and always remove the plug from the power source before making any adjustments.

- If for any reason the motor will not run, contact Sears Service Center at 1-800-4-MY-HOME®.

SYMPTOM	POSSIBLE CAUSES	CORRECTIVE ACTION
Saw will not start.	<ol style="list-style-type: none"> <li>1. Saw not plugged in.</li> <li>2. Fuse blown or circuit breaker tripped.</li> <li>3. Cord damaged.</li> <li>4. Debris in on/off switch</li> </ol>	<ol style="list-style-type: none"> <li>1. Plug in saw.</li> <li>2. Replace fuse or reset circuit breaker.</li> <li>3. Replace power cord.</li> <li>4. Unplug and remove switch from saw. Separate switch in half and clean any debris within.</li> </ol>
Does not make accurate 45° and 90° rip cuts.	<ol style="list-style-type: none"> <li>1. Positive stop not adjusted correctly.</li> <li>2. Tilt angle pointer not set accurately.</li> </ol>	<ol style="list-style-type: none"> <li>1. Check blade with square and adjust positive stop.</li> <li>2. Check blade with square and adjust to zero.</li> </ol>
Material pinched blade when ripping.	<ol style="list-style-type: none"> <li>1. Rip fence not aligned with blade.</li> <li>2. Warped wood, edge against fence is not straight.</li> </ol>	<ol style="list-style-type: none"> <li>1. Check and align rip fence and blade to miter gauge groove.</li> <li>2. Select another piece of wood.</li> </ol>
Material binds on splitter.	<ol style="list-style-type: none"> <li>1. Splitter not aligned correctly with blade.</li> </ol>	<ol style="list-style-type: none"> <li>1. Check and align splitter with blade.</li> </ol>
Saw makes unsatisfactory cuts.	<ol style="list-style-type: none"> <li>1. Dull blade.</li> <li>2. Blade mounted backwards.</li> <li>3. Gum or pitch on blade.</li> <li>4. Incorrect blade for work being done.</li> <li>5. Gum or pitch on blade causing erratic feed.</li> </ol>	<ol style="list-style-type: none"> <li>1. Replace blade.</li> <li>2. Turn the blade around.</li> <li>3. Remove blade and clean with turpentine and coarse steel wool.</li> <li>4. Change the blade.</li> <li>5. Remove blade and clean table with turpentine and steel wool.</li> </ol>
Material kicked back from blade.	<ol style="list-style-type: none"> <li>1. Rip fence out of adjustment.</li> <li>2. Splitter not aligned with blade.</li> <li>3. Feeding stock without rip fence.</li> <li>4. Splitter not in place.</li> <li>5. Dull blade.</li> <li>6. The operator letting go of material before it is past saw blade.</li> <li>7. Miter angle lock knob is not tight.</li> </ol>	<ol style="list-style-type: none"> <li>1. Align rip fence with miter gauge groove.</li> <li>2. Align splitter with blade.</li> <li>3. Install and use rip fence.</li> <li>4. Install and use splitter. (with guard)</li> <li>5. Replace blade.</li> <li>6. Push material all the way past saw blade before releasing work.</li> <li>7. Tighten knob.</li> </ol>
Blade does not raise or tilt freely.	<ol style="list-style-type: none"> <li>1. Sawdust and dirt in elevation/tilting mechanisms.</li> </ol>	<ol style="list-style-type: none"> <li>1. Brush or blow out loose dust and dirt.</li> </ol>
Blade does not come up to speed. Reset trips too easily.	<ol style="list-style-type: none"> <li>1. Extension cord too light or too long.</li> <li>2. Low house voltage.</li> </ol>	<ol style="list-style-type: none"> <li>1. Replace with adequate size cord.</li> <li>2. Contact your electric company.</li> </ol>
Machine vibrates excessively.	<ol style="list-style-type: none"> <li>1. Saw not mounted securely to workbench.</li> <li>2. Bench on uneven floor.</li> <li>3. Damaged saw blade.</li> </ol>	<ol style="list-style-type: none"> <li>1. Tighten all mounting hardware.</li> <li>2. Reposition on flat level surface.</li> <li>3. Replace blade.</li> </ol>
Does not make accurate 45° and 90° crosscuts.	<ol style="list-style-type: none"> <li>1. Miter gauge out of adjustment.</li> </ol>	<ol style="list-style-type: none"> <li>1. Adjust miter gauge.</li> </ol>

# PARTS LIST

10 in. TABLE SAW

MODEL NO. 137.248850



**When servicing use only CRAFTSMAN replacement parts. Use of any other parts may create a HAZARD or cause product damage. Any attempt to repair or replace electrical parts on this Table Saw may create a HAZARD unless repair is done by a qualified service technician. Repair service is available at your nearest Sears Service Center.**

## PARTS LIST FOR TABLE SAW SCHEMATIC

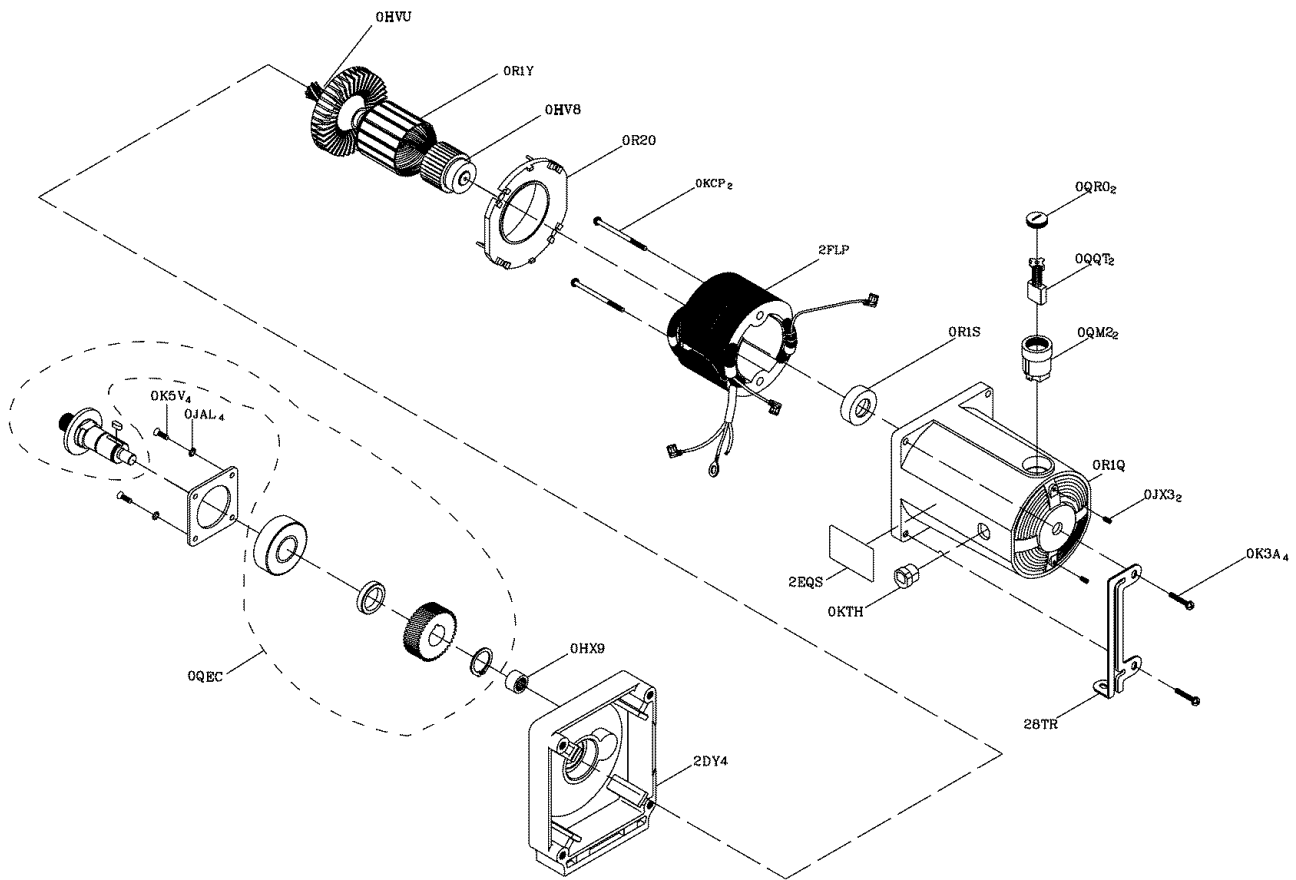
I.D.	Description	Size	QTY	I.D.	Description	Size	QTY
08VH	CORD CLAMP		1	0KMS	HEX. NUT	M6*1.0 T=5	1
09JK	WRENCH		1	0KMY	HEX. NUT	M8*1.25 T=6.5	1
0B23	SADDLE		1	0KQJ	CROWN NUT	M8*1.25 T=12.5	2
0B24	SPRING		1	0KRX	HEXAGON NUT AND FLAT WASHER	M6*1.0	3
0B27	POINTER BRACKET		1	0KSW	STRAIN RELIEF		1
0B2B	NEEDLE POINTER		1	0LSL	CIRCUIT BREAKER SWITCH		1
0B2E	SWITCH BOX		1	0SZY	SLIDING BASE ASS'Y		1
0B3H	INSERT	#23	1	0SZZ	SLIDING BASE ASS'Y		1
0B3R	WRENCH		1	0WEV	KNOB		1
0B8A	WARNING STICK LABEL		1	118N	CR. RE. PAN HD. SCREW	M6*1.0-55	1
0B99	SPACER		1	20WQ	HEX. HD. BOLT	M6*1.0-50	1
0B9C	PLUNGER HOUSING		1	2149	KNOB		1
0B9P	CLAMP		2	23PP	BLADE		1
0BA4	SPACER		1	275F	LOCATION SEAT		2
0BA9	SPACER		2	275R	LOCATION SEAT		1
0BAA	CLAMP		1	275U	SPACER		1
0BA8	SHIM		1	27A1	ROCKER SWITCH		1
0BAC	SET NUT		1	27A2	SWITCH KEY		1
0BAE	ARBOR COLLAR		1	28CY	HAND WHEEL ASS'Y		1
0BAU	SUPPORTING PLATE		1	28CZ	HAND WHEEL ASS'Y		1
0BC2	LOCATION SEAT		2	29PD	WARNING LABEL		1
0BPA	LOCK KNOB		1	29R2	WARNING LABEL		1
0J3U	HEX WRENCH		1	28YT	HEX. NUT		2
0J4F	FLAT WASHER	φ8*16-2.5	1	2BYZ	BRACKET		1
0J4H	FLAT WASHER	φ10*30-0.2	2	2EPP	MOTOR		1
0J4M	FLAT WASHER	φ12*21-1	2	2ERP	HEIGHT REGULATING BOLT ASS'Y		1
0J5L	FLAT WASHER	φ5*10-0.3	10	2EST	EXTENTION WING		1
0J6T	FLAT WASHER	3/16*3/4-1/16	4	2ESU	EXTENTION WING	#AW	1
0J6U	FLAT WASHER	3/16*1/2-3/64	1	2ESV	TABLE	#AW	1
0J6V	FLAT WASHER	3/16*3/8-0.022	8	2ESW	COVER		1
0J70	FLAT WASHER	1/4*3/4-7/64	2	2ESX	NEEDLE POINTER		1
0J76	FLAT WASHER	1/4*3/4-1/16	2	2ESZ	SPECIAL BOLT		2
0J78	FLAT WASHER	1/4*1/2-3/32	1	2ET2	EXTENTION WING	#AW	1
0J8D	FLAT WASHER	3/8*3/4-5/64	2	2ET4	UPPER TUBE		1
0J95	SPRING WASHER	φ6	1	2ET5	UPPER TUBE		1
0JAA	WASHER	φ8	1	2ET6	BODY SHELL		1
0JAE	EXTERNAL TOOTH LOCK WASHER	φ4	2	2ET9	ANGLE ROD		1
0JAF	EXTERNAL TOOTH LOCK WASHER	φ5	1	2ETB	ROLLING WHEEL		2
0JED	C-RING		1	2ETE	PLASTIC GUARD		1
0JP9	HEX. HD. BOLT	M5*0.8-12	2	2ETG	UPPER TUBE		1
0JXL	HEX. SOC. SET SCREW	M10*1.5-12	1	2ETJ	UPPER TUBE		1
0K02	HEX. HD. SCREW AND WASHER	M8*1.25-16	4	2ETK	UPPER TUBE		2
0K15	HEX. HD. SCREW AND WASHER	M6*1.0-20	3	2ETL	DUST BAG		1
0K16	HEX. HD. SCREW AND WASHER	M8*1.25-16	1	2ETU	SCALE		1
0K25	HEX. SOCKET HD. CAP SCREW	M5*0.8-20	1	2ETV	SCALE		1
0K3G	CR. RE. PAN HD. SCREW & WASHER	M5*0.8-12	1	2ETW	SCALE		1
0K57	CR. RE. COUNT HD. SCREW	M5*0.8-16	1	2ETX	SCALE		1
0K7F	CR. RE. ROUND WASHER HD. SCREW	M5*0.8-8	2	2ETY	SCALE		1
0K7H	CR. RE. ROUND WASHER HD. SCREW	M5*0.8-25	8	2ETZ	LABEL		1
0K7K	CR. RE. ROUND WASHER HD. SCREW	M6*1.0-12	2	2EVG	RIP FENCE ASS'Y		1
0K8C	CR. RE. COUNT HD. TAPPING SCREW	M4*18-10	6	2EVJ	MITER GAUGE ASS'Y		1
0K9T	HEX. HD. TAPPING SCREW	M5*16-16	6	2EVL	SLIDING BASE ASS'Y		2
0K9U	HEX. HD. TAPPING SCREW	M5*16-25	4	2EW3	BLADE GUARD ASS'Y		1
0KA4	CR. RE. PAN HD. TAPPING SCREW	M4*16-16	2	2F6F	RETAINING CLIP		1
0KAP	CR. RE. PAN HD. TAPPING SCREW	M5*0.8-10	1	2F6U	COLLAR		2
0KCB	CR. RE. TRUSS HD. TAPPING SCREW	M4*16-16	2	2F9E	INSTRUCTIONS MANUAL		1
0KCA	CR. RE. TRUSS HD. TAPPING SCREW	M5*12-12	2	2FLK	LEAD WIRE ASS'Y		1
0KCH	CR. RE. PAN HEAD TAPPING & WASHER SCREW	M5*0.8-12	2	2FST	POWER CABLE ASS'Y		1
0KCX	CR. RE. PAN HD PLAIN WASHER TAPPING SCREW	M5*0.8-10	6	2GBJ	CR. RE. PAN HD. SCREW	M5*0.8-12	2
0KCY	CR. RE. PAN HD PLAIN WASHER TAPPING SCREW	M5*0.8-12	8	2GHL	RETAINING CLIP		1
0KDR	CR. RE. PAN HD. SCREW	M5*0.8-10	1	2GJ9	SPACER		1
0KF6	CR. RE. PAN HD. SCREW	M4*0.7-8	2	2GKE	BRACKET GROUP ASS'Y		1
0KHZ	CAP HD. SQ. NECK BOLT	M6*1.0-12	2	2GRU	BEVEL ANGLE ADJUSTMENT ASS'Y		1
0KJ2	CAP HD. SQ. NECK BOLT	M6*1.0-25	1	2GYV	SLIDING BASE ASS'Y		2
0KJ4	CAP HD. SQ. NECK BOLT	M6*1.0-35	1	2H4C	PULLEY ASS'Y		1
0KJ5	CAP HD. SQ. NECK BOLT	M6*1.0-80	1	2H4D	MOVABLE COVER ASS'Y		1
0KMR	HEX. NUT	M5*0.8 T=4	1	2H4E	FRONT COVER ASS'Y		1





PARTS LIST AND SCHEMATIC FOR MOTOR

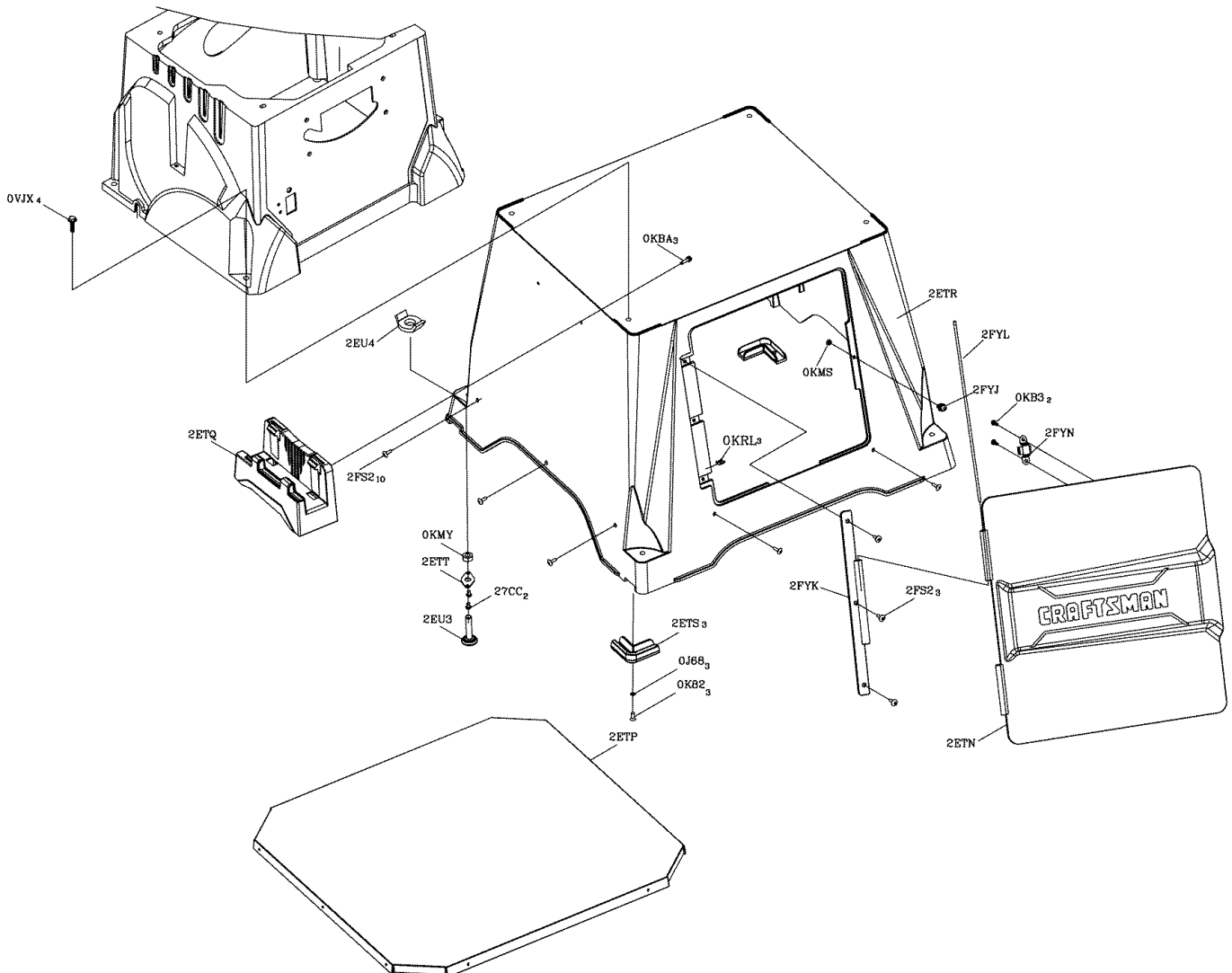
I.D.	Description	Size	QTY
0HV8	BALL BEARING	6201ZLU	1
0HVU	BALL BEARING	6200ZZ	1
0HX9	NEEDLE BEARING	HK-1010	1
0JAL	EXT.TOOTH LOCK WASHER	φ4	4
0JX3	HEX. SOC. SET SCREW	M5*0.8-8	2
0K3A	CR.RE. PAN HD. SCREW & WASHER	M5*0.8-30	4
0K5V	CR.-RE. COUND.HD.SCREW	M4*0.7-8	4
0KCP	CR.RE. PAN HEAD TAPPING & WASHER SCREW	M5*12-60	2
0KTH	STRAIN RELIEF		1
0QEC	ARBOR SHAFT ASS'Y		1
0QM2	BRUSH HOLDER ASS'Y		2
0QQT	BRUSH ASS'Y		2
0QR0	BRUSH COVER		2
0R1Q	MOTOR HOUSING		1
0R1S	BEARING BUSHING		1
0R1Y	ARMATURE ASS'Y		1
0R20	BAFFLE		1
28TR	RETAINING CLIP		1
2DY4	BRACKET		1
2EQS	MOTOR NAMEPLATE		1
2FLP	FIELD ASS'Y		1



**10 in. TABLE SAW**  
**PARTS LIST AND SCHEMATIC FOR STAND**

**MODEL NO. 137.248850**

I.D.	Description	SIZE	QTY
0J68	FLAT WASHER	φ5*10-1	3
0K82	CR. RE. COUNT HD. TAPPING SCREW	M5*12-16	3
0KB3	CR. RE. PAN HD. TAPPING SCREW	M4*18-8	2
0KBA	CR. RE. PAN HD. TAPPING SCREW	M5*16-12	3
0KMS	HEX. NUT	M6*1.0 T=5	1
0KMY	HEX. NUT	M8*1.25 T=6.5	1
0KRL	U-TYPE NUT		3
0VJX	HEX. HD. SCREW AND WASHER	M8*1.25-30	4
27CC	CR. RE. PAN HD. TAPPING SCREW	M5*16-6	2
2ETN	BOTTOM BRACKET DOOR		1
2ETP	FLOOR PLATE		1
2ETQ	PLUNGER HOUSING		1
2ETR	BOTTOM BRACKET		1
2ETS	CUSHION		3
2ETT	SET PLATE		1
2EU3	LEVELING PAD		1
2EU4	LEVELING WASHER		1
2EW0	HARDWARE BAG ASS'Y		1
2FS2	CR. RE. TRUSS HD. TAPPING SCREW	M5*12-12	13
2FYJ	PLUNGER		1
2FYK	HINGE		1
2FYL	PIN		1
2FYN	PLATE CLAMP		1



**PUSH STICK CONSTRUCTION**

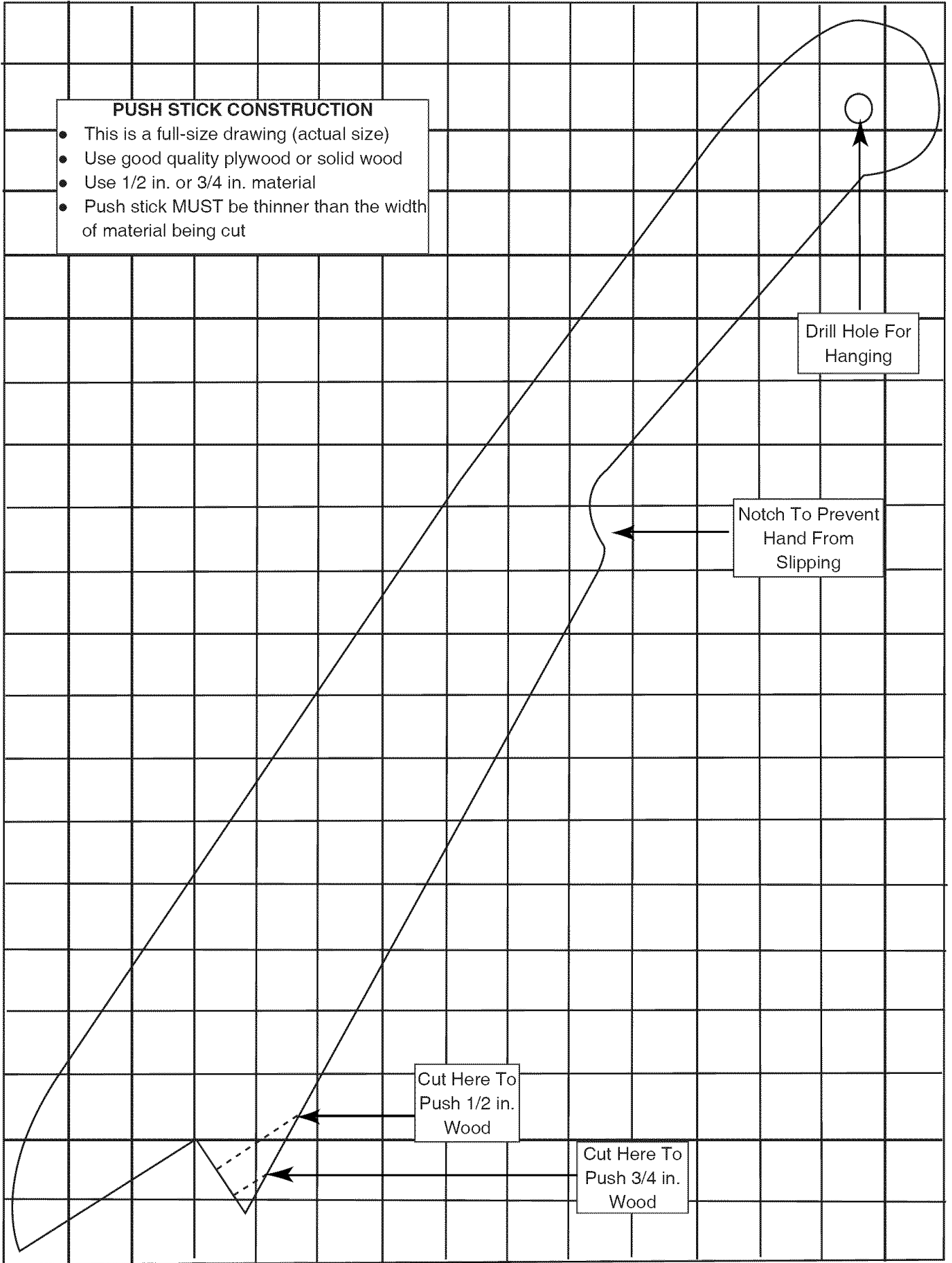
- This is a full-size drawing (actual size)
- Use good quality plywood or solid wood
- Use 1/2 in. or 3/4 in. material
- Push stick MUST be thinner than the width of material being cut

Drill Hole For Hanging

Notch To Prevent Hand From Slipping

Cut Here To Push 1/2 in. Wood

Cut Here To Push 3/4 in. Wood



# NOTES

# Get it fixed, at your home or ours!

## Your Home

For repair – **in your home** – of **all** major brand appliances, lawn and garden equipment, or heating and cooling systems, **no matter who made it, no matter who sold it!**

For the replacement parts, accessories and owner's manuals that you need to do-it-yourself.

For Sears professional installation of home appliances and items like garage door openers and water heaters.

**1-800-4-MY-HOME® (1-800-469-4663)**

Call anytime, day or night (U.S.A. and Canada)

[www.sears.com](http://www.sears.com)      [www.sears.ca](http://www.sears.ca)

---

## Our Home

For repair of carry-in items like vacuums, lawn equipment, and electronics, call or go on-line for the location of your nearest

**Sears Parts & Repair Center.**

**1-800-488-1222**

Call anytime, day or night (U.S.A. only)

[www.sears.com](http://www.sears.com)

---

To purchase a protection agreement (U.S.A.) or maintenance agreement (Canada) on a product serviced by Sears:

**1-800-827-6655 (U.S.A.)**

**1-800-361-6665 (Canada)**

---

Para pedir servicio de reparación a domicilio, y para ordenar piezas:

**1-888-SU-HOGAR®**

(1-888-784-6427)

Au Canada pour service en français:

**1-800-LE-FOYER<sup>MC</sup>**

(1-800-533-6937)

[www.sears.ca](http://www.sears.ca)

The Sears logo is displayed in a large, bold, black serif font. The word "Sears" is written in a classic, slightly stylized typeface. Below the letters, there is a thin, curved line that underlines the text, starting from the 'S' and ending under the 's'.

## Free Manuals Download Website

<http://myh66.com>

<http://usermanuals.us>

<http://www.somanuals.com>

<http://www.4manuals.cc>

<http://www.manual-lib.com>

<http://www.404manual.com>

<http://www.luxmanual.com>

<http://aubethermostatmanual.com>

Golf course search by state

<http://golfingnear.com>

Email search by domain

<http://emailbydomain.com>

Auto manuals search

<http://auto.somanuals.com>

TV manuals search

<http://tv.somanuals.com>