

Owner's Manual

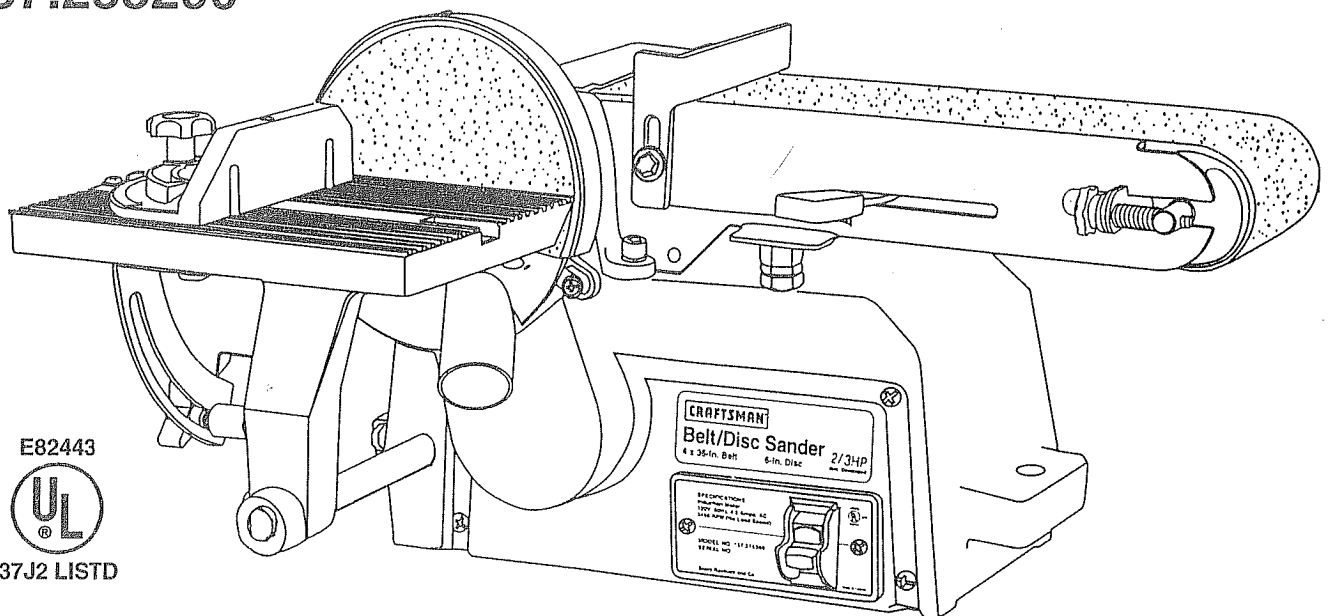
CRAFTSMAN®

4" x 36" Belt
6" Disc

BELT / DISC SANDER

Model No.

137.283290



CAUTION:

Before using this Belt / Disc Sander, read this manual and follow all its Safety Rules and Operating Instructions.

- Safety Instructions
- Installation
- Operation
- Maintenance
- Parts List

Customer Help Line
1-800-843-1682

Sears Canada Inc., Toronto M5B 2B8
Part No. 137283290001

TABLE OF CONTENTS

SECTION	PAGE
Warranty2
Product Specifications2
Safety Instructions3
Accessories and Attachments6
Carton Contents6
Know your Belt/Disc Sander7
Assembly and Adjustments8
Operation14
Maintenance16
Troubleshooting Guide17
Parts18

WARRANTY

FULL TWO YEAR WARRANTY

If this product fails due to a defect in material or workmanship within two years from the date of purchase, Sears will at its option repair or replace it free of charge.

Contact a Sears Service Center for repair.

If this product is used for commercial or rental purposes, this warranty applies only for 90 days from the date of purchase.

This warranty is in addition to any statutory warranty.

Sears Canada Inc., Toronto M5B 2B8

PRODUCT SPECIFICATIONS

MOTOR 120V, 60 HZ, 4.2 AMPS
HORSEPOWER 2/3 (Max. Developed)

SPEEDS:
MOTOR 3450 RPM
BELT 1760 FPM
DISC 2800 RPM

SIZES:
BELT 4" X 36"
DISC 6"

TABLE DISC / BELT
TABLE TILT 0° TO 45°
BELT ARM TILT 0° TO 90°
MITER GAUGE YES

⚠ WARNING

To avoid electrical hazards, fire hazards, or damage to the tool, use proper circuit protection.

Your bench belt/disc sander is wired at the factory for 120V operation. Connect to a 120V, 15 amp branch circuit and use a 15 amp time delay fuse or circuit breaker. To avoid shock or fire, replace power cord immediately if it is worn, cut or damaged in any way.

SAFETY

GENERAL SAFETY INSTRUCTIONS BEFORE USING THE BELT / DISC SANDER

Safety is a combination of common sense, staying alert and knowing how to use your belt / disc sander.

⚠ WARNING

To avoid mistakes that could cause serious injury, do not plug the belt / disc sander in until you have read and understood the following:

- 1. READ** and become familiar with this entire instruction manual. **LEARN** the tool's applications, limitations, and possible hazards.
- 2. KEEP GUARDS IN PLACE** and in working order.
- 3. REMOVE ADJUSTING KEYS AND WRENCHES.** Form the habit of checking to see that keys and adjusting wrenches are removed from the tool before turning ON.
- 4. KEEP WORK AREA CLEAN.** Cluttered areas and benches invite accidents.
- 5. DON'T USE IN A DANGEROUS ENVIRONMENT.** Don't use power tools in damp or wet locations, or expose them to rain. Keep work area well lighted.
- 6. KEEP CHILDREN AWAY.** All visitors should be kept at a safe distance from the work area.
- 7. MAKE WORKSHOP KID PROOF** with padlocks, master switches, or by removing starter keys.
- 8. DON'T FORCE THE TOOL.** It will do the job better and safer at the rate for which it was designed.
- 9. USE THE RIGHT TOOL.** Don't force tool or the attachment to do a job for which it was not designed.
- 10. USE PROPER EXTENSION CORD.** Make sure your extension cord is in good condition. When using an extension cord, be sure to use one heavy enough to carry the current your product will draw. An undersized cord will cause a drop in line voltage resulting in loss of power and overheating. The table on page 5 shows the correct size to use depending on cord length and nameplate ampere rating. If in doubt, use the next heavier gauge. The smaller the gauge number, the heavier the cord.
- 11. WEAR PROPER APPAREL.** DO NOT wear loose clothing, gloves, neckties, rings, bracelets, or other jewelry which may get caught in moving parts. Nonslip footwear is recommended. Wear protective hair covering to contain long hair.
- 12. WEAR YOUR SAFETY GOGGLES.** **ALWAYS WEAR EYE PROTECTION.** Any belt / disc sander can throw foreign objects into the eyes which could cause permanent eye damage. ALWAYS wear Safety Goggles (not glasses) that comply with ANSI safety standard Z87.1. Everyday eyeglasses have only impact-resistant lenses. They ARE NOT safety glasses. Safety Goggles are available at Sears. **NOTE:** Glasses or goggles not in compliance with ANSI Z87.1 could seriously hurt you when they break.
- 13. WEAR A FACE MASK OR DUST MASK.** Sanding operation produces dust.
- 14. SECURE WORK.** Use clamps or a vise to hold work when practical. It's safer than using your hand and it frees both hands to operate tool.
- 15. DISCONNECT TOOLS** before servicing, and when changing accessories, such as blades, bits, cutters, and the like.
- 16. REDUCE THE RISK OF UNINTENTIONAL STARTING.** Make sure the switch is in OFF position before plugging in.
- 17. USE RECOMMENDED ACCESSORIES.** Consult the owner's manual for the recommended accessories. The use of improper accessories may cause risk of injury to persons.
- 18. NEVER STAND ON TOOL.** Serious injury could occur if the tool is tipped or if the cutting tool is unintentionally contacted.
- 19. CHECK FOR DAMAGED PARTS.** Before further use of the tool, a guard or other part that is damaged should be carefully checked to determine that it will operate properly and perform its intended function. Check for alignment of moving parts, binding of moving parts, breakage of parts, mounting, and any other conditions that may affect its operation. A guard or other part that is damaged should be properly repaired or replaced.
- 20. NEVER LEAVE TOOL RUNNING UNATTENDED. TURN THE POWER OFF.** Don't leave the tool until it comes to a complete stop.
- 21. DON'T OVERREACH.** Keep proper footing and balance at all times.
- 22. MAINTAIN TOOLS WITH CARE.** Keep tools sharp and clean for best and safest performance. Follow instructions for lubricating and changing accessories.
- 23. DO NOT** use power tools in the presence of flammable liquids or gases.



SAVE THESE INSTRUCTIONS

24. **DO NOT** operate the tool if you are under the influence of any drugs, alcohol or medication that could affect your ability to use the tool properly.
25. Dust generated from certain materials can be hazardous to your health. Always operate the belt/disc sander in a well-ventilated area and provide for proper dust removal. Use dust collection systems whenever possible.

SPECIFIC SAFETY INSTRUCTIONS FOR BELT / DISC SANDER

⚠ WARNING

For your own safety, do not try to use your belt / disc sander or plug it in until it is completely assembled and installed according to the instructions, and until you have read and understood this instruction manual:

1. **THIS SANDER IS DESIGNED TO SAND WOOD OR WOOD-LIKE PRODUCTS ONLY.** Sanding or grinding other materials could result in fire, injury or damage to workpiece.
2. **USE** sander on horizontal surfaces only. Operating the sander when mounted on non-horizontal surfaces might result in motor damage.
3. **TO STOP** it from tipping over or moving when in use, the sander must be securely fastened to a bench top or supporting surface.
4. **PLACE** the sander so neither the user nor bystanders are forced to stand in line with the abrasive belt or disc.
5. **MAKE SURE** the sanding belt is installed in the correct direction. See directional arrow on back of belt.
6. **ALWAYS** have the tracking adjusted properly so the belt does not run off the pulleys.
7. **DO NOT USE** sanding belts or discs that are damaged, torn, loose. Use only correct size sanding belt and disc. Narrower belts uncover parts that could trap fingers.
8. **MAKE SURE** there are no nails or foreign objects in the part of the workpiece to be sanded.
9. **ALWAYS HOLD** the workpiece firmly when sanding. Keep hands away from sanding belt or disc. Sand only one workpiece at a time.
10. **ALWAYS HOLD** the workpiece firmly on the table when using the disc sander and when using the belt sander.
11. **ALWAYS SAND ON THE DOWNWARD SIDE** of the sanding disc when using the disc sander. Sanding on the upward side of the disc could cause the workpiece to fly out of position, resulting in injury.

12. **ALWAYS** maintain a minimum clearance of 1/16 inch or less between the table or backstop and the sanding belt or disc.
13. **DO NOT** sand pieces of material that are too small to be safely supported.
14. **KEEP** fingers away from where the belt goes into the dust trap.
15. **WHEN** sanding a large workpiece, provide additional support at table height.
16. **DO NOT** sand with the workpiece unsupported. Support the workpiece with the backstop or table. The only exception is curved work performed on the outer sanding drum. Plan your work support.
17. **NEVER USE ANOTHER PERSON** as additional support for a workpiece longer or wider than the table.
18. **ALWAYS** remove scrap pieces and other objects from the table, backstop or belt before turning the sander "ON."
19. **NEVER** perform layout, assembly or set-up work on the table while the sander is operating.
20. **NEVER** use solvents to clean plastic parts. Solvents could dissolve or otherwise damage the material. Use only a soft damp cloth to clean plastic parts.
21. **SHOULD** any part of your sander be missing, damaged, or fail in any way, or any electrical components fail to perform properly, shut off switch and remove plug from power supply outlet. Replace missing, damaged or failed parts before resuming operation.
22. **NEVER PULL THE POWER CORD** out of the receptacle. Keep cords away from heat, oil and sharp edges.
23. **HAVE AN ELECTRICIAN REPLACE OR REPAIR** damaged or worn cords immediately.
24. When using the belt to grind or sharpen metal or plastic material:
 - **DO NOT** wet grind or polish. Never use a steady stream of water on the workpiece. Dip or quench the workpiece in water to cool it.
 - **DO NOT OVERHEAT THE WORKPIECE.** Move metal across the abrasive and cool it when it becomes hot.
 - **DO NOT** grind or polish magnesium. It could CATCH on fire.

SAVE THESE INSTRUCTIONS

GROUNDING INSTRUCTIONS

IN THE EVENT OF A MALFUNCTION OR BREAKDOWN, grounding provides a path of least resistance for electric current and reduces the risk of electric shock. This tool is equipped with an electric cord that has an equipment grounding conductor and a grounding plug. The plug **MUST** be plugged into a matching receptacle that is properly installed and grounded in accordance with ALL local codes and ordinances.

DO NOT MODIFY THE PLUG PROVIDED. If it will not fit the receptacle, have the proper receptacle installed by a qualified electrician.

IMPROPER CONNECTION of the equipment grounding conductor can result in risk of electric shock. The conductor with the green insulation (with or without yellow stripes) is the equipment grounding conductor. If repair or replacement of the electric cord or plug is necessary, **DO NOT** connect the equipment grounding conductor to a live terminal.

CHECK with a qualified electrician or service personnel if you do not completely understand the grounding instructions, or if you are not sure the tool is properly grounded.

USE ONLY 3-WIRE EXTENSION CORDS THAT HAVE 3-PRONG GROUNDING PLUGS AND 3-POLE RECEPTACLES THAT ACCEPT THE TOOL'S PLUG. REPAIR OR REPLACE DAMAGED OR WORN CORD IMMEDIATELY.

GUIDELINES FOR EXTENSION CORDS

USE PROPER EXTENSION CORD. Make sure your extension cord is in good condition. When using an extension cord, be sure to use one heavy enough to carry the current your product will draw. An undersized cord will cause a drop in line voltage resulting in loss of power and overheating. The table below shows the correct size to use depending on cord length and nameplate ampere rating. If in doubt, use the next heavier gauge. The smaller the gauge number, the heavier the cord.

Be sure your extension cord is properly wired and in good condition. Always replace a damaged extension cord or have it repaired by a qualified person before using it. Protect your extension cords from sharp objects, excessive heat and damp or wet areas.

Use a separate electrical circuit for your tools. This circuit must not be less than #12 wire and should be protected with a 15 Amp time lag fuse. Before connecting the motor to the power line, make sure the switch is in the OFF position and the electric current is rated the same as the current stamped on the motor nameplate. Running at a lower voltage will damage the motor.

SAVE THESE INSTRUCTIONS

This tool is intended for use on a circuit that has a receptacle like the one illustrated in FIGURE A. FIGURE A shows a 3-prong electrical plug and receptacle that has a grounding conductor. If a properly grounded receptacle is not available, an adapter (FIGURE B) can be used to temporarily connect this plug to a 2-contact ungrounded receptacle. The temporary adapter should be used only until a properly grounded receptacle can be installed by a qualified technician. The adapter (FIGURE B) has a rigid lug extending from it that **MUST** be connected to a permanent earth ground, such as a properly grounded receptacle box. The Canadian Electrical Code prohibits the use of adapters.

CAUTION: In all cases, make certain the receptacle in question is properly grounded. If you are not sure have a certified electrician check the receptacle.

⚠ WARNING

This belt / disc sander is for indoor use only. Do not expose to rain or use in damp locations.

Fig. A

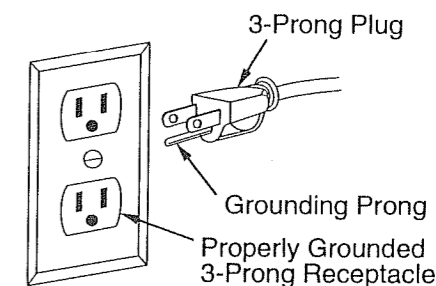
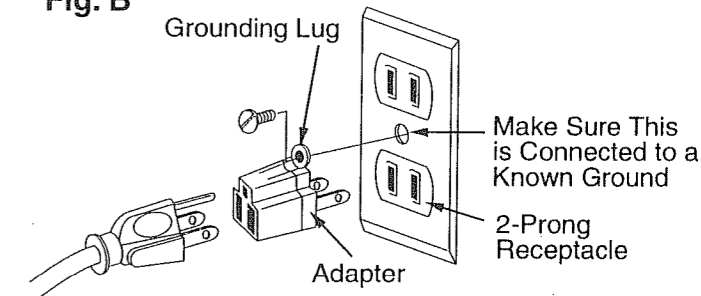


Fig. B



⚠ WARNING

This tool must be grounded while in use to protect the operator from electrical shock.

MINIMUM GAUGE FOR EXTENSION CORDS (AWG)					
(when using 120 volts only)					
Ampere Rating		Total length of cord in feet			
more than	not more than	25'	50'	100'	150'
0	6	18	16	16	14
6	10	18	16	14	12
10	12	16	16	14	12

ACCESSORIES AND ATTACHMENTS

AVAILABLE ACCESSORIES

⚠ WARNING

Use only accessories recommended for this belt / disc sander. Follow instructions that accompany accessories. Use of improper accessories may cause hazards.

Visit your Sears Hardware Department or see the Sears Power and Hand Tool Catalog for the following accessories:

- Adhesive-backed Discs 6 inch:
Fine, Medium, or Coarse Grits
- Sanding Belts 4 x 36 inch:
Fine, Medium, Coarse, or Extra Coarse Grits
- Abrasive Disc & Belt cleaner

⚠ WARNING

Use only accessories designed for this belt / disc sander to avoid injury from thrown broken parts or workpieces.

Sears may recommend other accessories not listed in this manual. See your nearest Sears store or Power and Hand Tool Catalog for other accessories.

Do not use any accessory unless you have completely read the instruction or owner's manual for that accessory.

CARTON CONTENTS

⚠ WARNING

If any part is missing or damaged, do not plug the belt / disc sander in until the missing or damaged part is replaced, and assembly is complete.

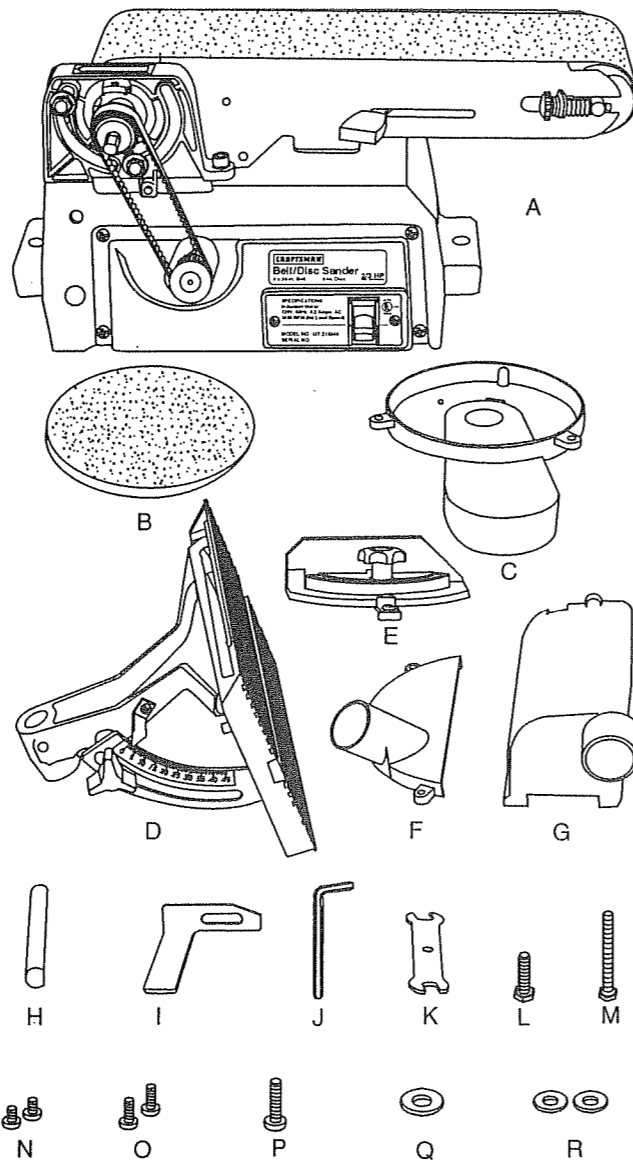
Carefully unpack the belt / disc sander and all its parts, and compare against the illustration below.

To protect the belt / disc sander from moisture, a protective coating has been applied to the machined surfaces. Remove this coating with a soft cloth moistened with WD-40.

⚠ WARNING

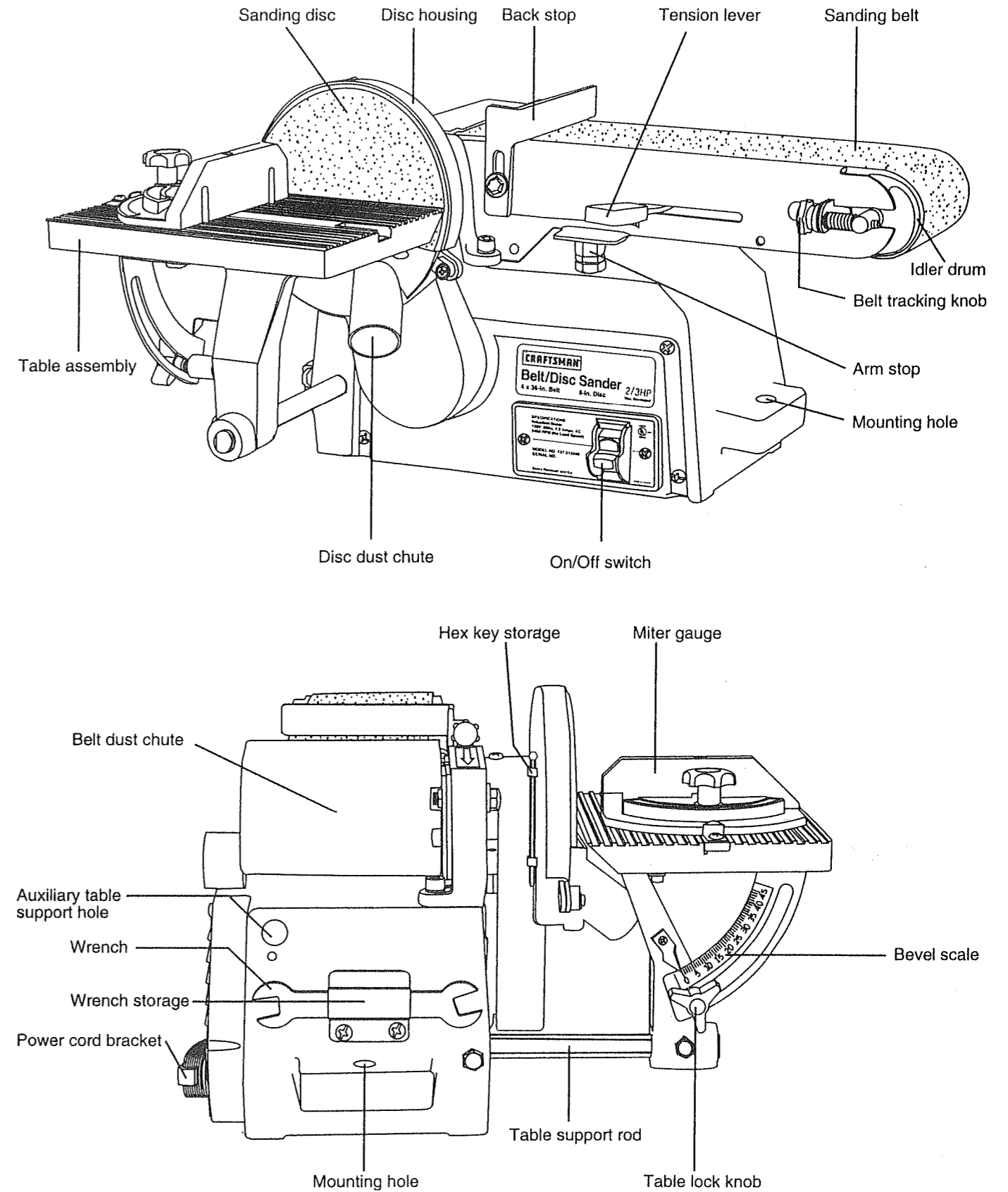
To avoid fire or toxic reaction, never use gasoline, naphtha, acetone, lacquer thinner or similar highly volatile solvents to clean the belt / disc sander.

ITEM	DESCRIPTION	QUANTITY
A.	Belt / Disc Sander	1
B.	Disc	1
C.	Disc housing	1
D.	Disc table	1
E.	Miter gauge	1
F.	Disc dust chute	1
G.	Belt dust chute	1
Loose parts in bag:		
H.	Table support rod	1
I.	Belt backstop	1
J.	Hex key	1
K.	Open-end wrench	1
L.	Hex head bolt	1
M.	Long pan head screw 40mm	1
N.	Pan head short screws	2
O.	Pan head thin screws 1/2"	2
P.	Pan head medium screws 12mm	1
Q.	Large washer	1
R.	Small washers	2



6

KNOW YOUR BENCH BELT / DISC SANDER



7

ASSEMBLY AND ADJUSTMENTS

ASSEMBLY INSTRUCTIONS

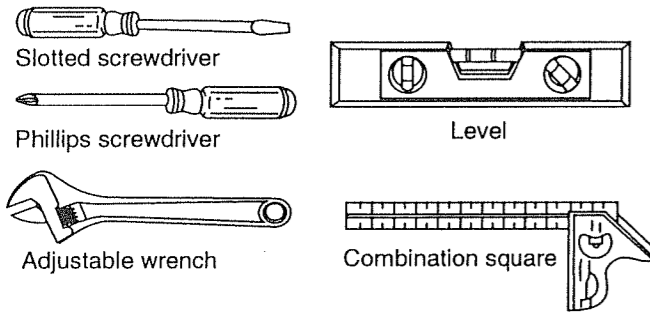
⚠ WARNING

To avoid injury, always keep the plug disconnected from the power source and the switch turned OFF until the sander is completely assembled and adjusted properly.

⚠ WARNING

For your own safety, never connect plug to power source outlet until all assembly and adjustment steps are completed, and you have read and understood the safety and operating instructions.

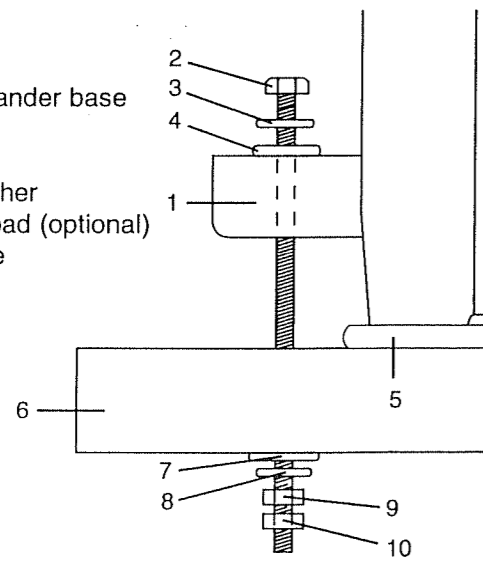
TOOLS NEEDED



MOUNTING BELT AND DISC SANDER TO WORKBENCH (FIG. B)

Fig. B

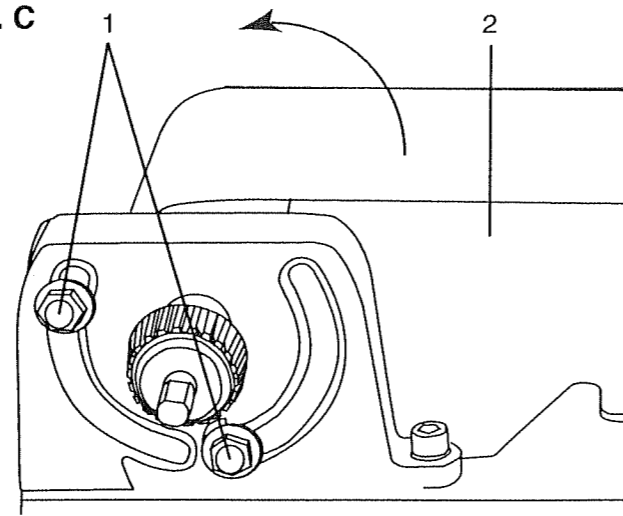
1. belt / disc sander base
2. Bolt
3. Flat washer
4. Rubber washer
5. 1/2" Foam pad (optional)
6. Worksurface
7. Flat washer
8. Lockwasher
9. Hex nut
10. Jam nut



PULLEY BELT ADJUSTMENT (FIG. C AND D)

1. Loosen the two hex screws (1) with wrench provided, and move the sanding arm (2) to the vertical position. Then tighten the two screws. (Fig. C)

Fig. C

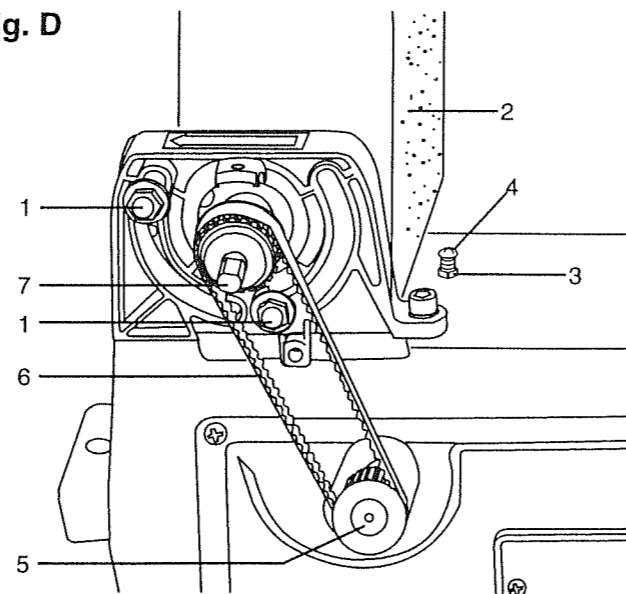


2. Loosen lock nut (3), and belt tension set screw (4) by turning it counterclockwise.
3. Raise up on the motor pulley (5) to replace or remove the existing belt. Place new belt (6) on both pulleys (5) and (7).
4. At the center span of the pulleys, apply light pressure to the belt. At the same time tighten set screw (4) by turning it clockwise, until the belt is just stretched. Reapply light pressure to the belt and maintain belt tension between 1/4" to 1/2" deflection.

IMPORTANT: Do not over tighten belt tension because it does not require excessive tension to function properly. Excessive tension will reduce motor and belt life.

5. After correct tension is obtained tighten lock nut (3), and position sanding arm (2) in the horizontal position by loosening the two hex screws (1). Retighten hex screws.

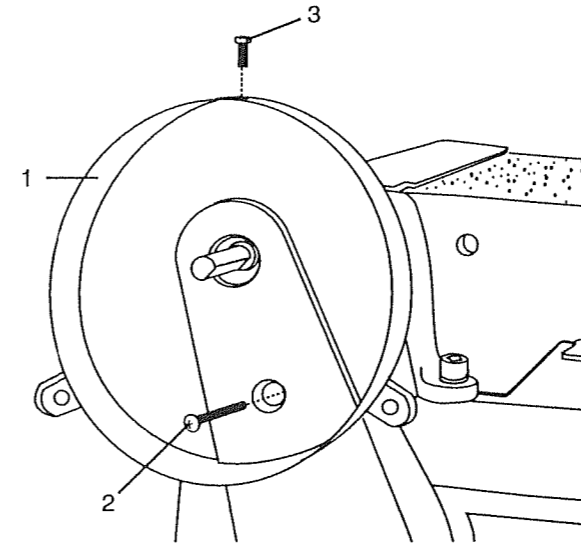
Fig. D



PULLEY COVER INSTALLATION (FIG. E)

Attach pulley cover (1) using the 40mm long pan head screw (2) and 12mm pan head screw (3), as shown. Tighten screws securely.

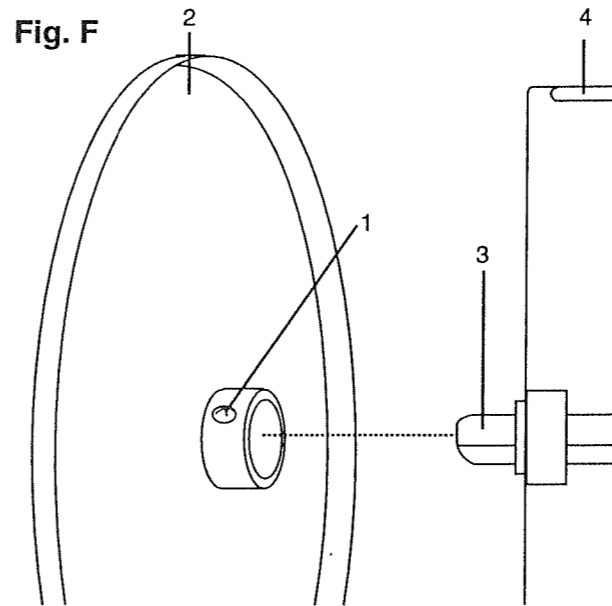
Fig. E



SANDING DISC PLATE INSTALLATION (FIG. F)

1. Thread 1/4" set screw (1), into the tapped hole on hub of sanding disc plate (2). Turn clockwise to tighten.
2. Slide sanding disc plate (2), on drive shaft (3) making sure flat on drive shaft is aligned with set screw (1) in hub of disc plate (2). Slide disc plate onto shaft until disc plate surface and edge of the pulley cover are nearly flush.
3. Insert hex wrench, down through slot (4) in the top of belt and pulley guard and tighten set screw (1) against flat on drive shaft (3).

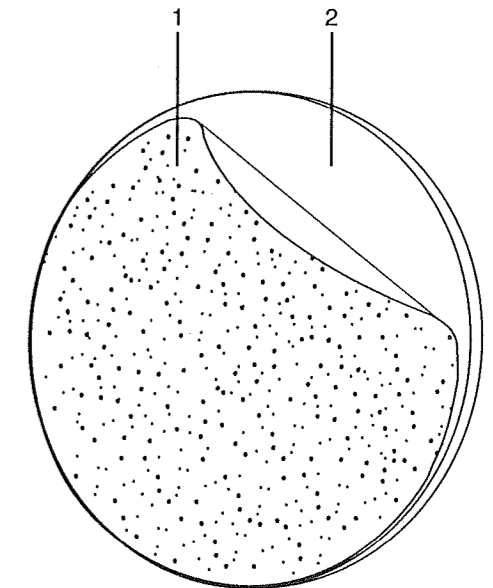
Fig. F



SANDING DISC INSTALLATION (FIG. G)

Remove and clean any adhesive or material left on the disc plate (2). Peel plastic backing from abrasive disc (1) and carefully press disc firmly in position around the sanding disc.

Fig. G



DISC COVER INSTALLATION (FIG. H)

1. Position disc cover (1) in place as shown.
2. Insert the two 1/2" pan head screws (2) and tighten.

Fig. H

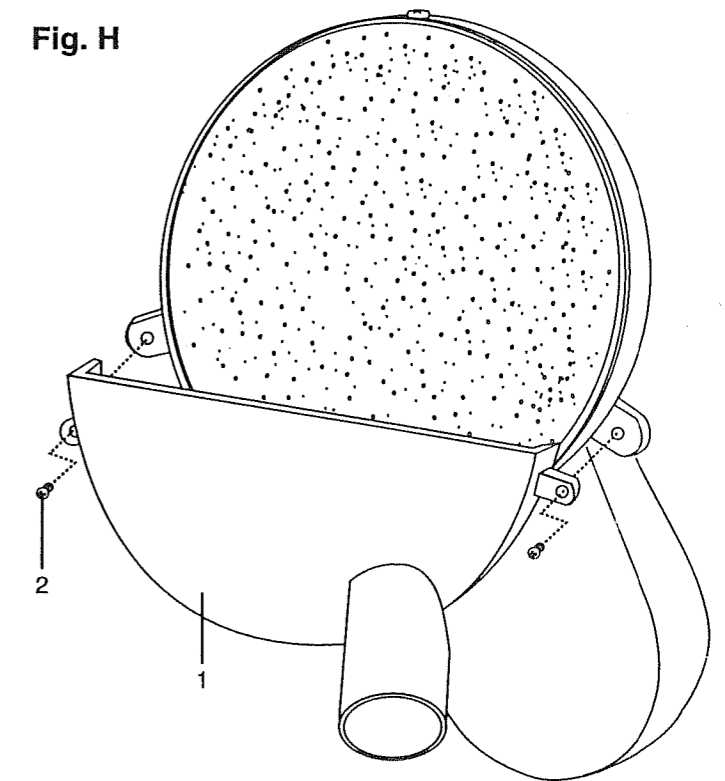
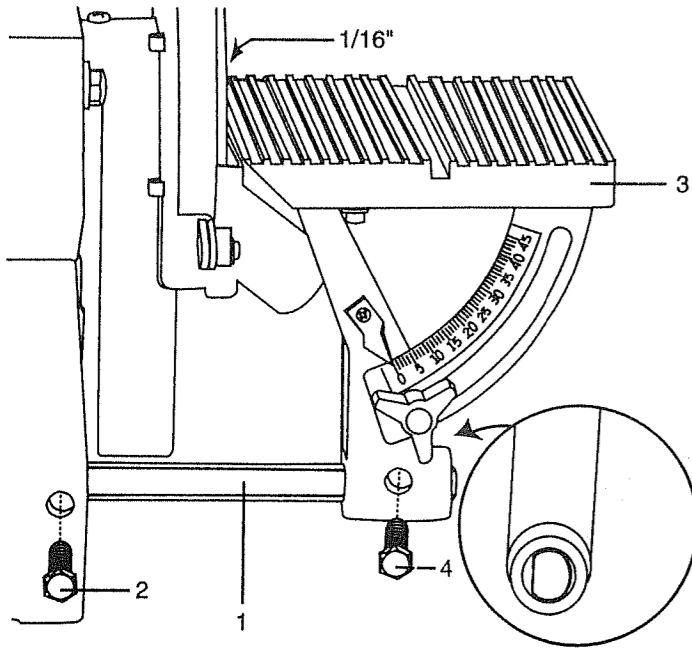


TABLE ASSEMBLY INSTALLATION (FIG. I)

The worktable can be used with either the sanding disc or the sanding belt. It should be used to support workpieces in all sanding operations except inside curve applications.

1. Insert the table support rod (1) into the sander base hole as shown. Table support rod should extend 5" outside of the sander base.
2. Align round side of the support rod (1) with hex bolt (2) and tighten bolt.
3. Slide table assembly (3) onto rod (1).
4. Adjust table, align flat side of support rod with hex bolt (4) on table bracket, and tighten.

Fig. I



⚠ WARNING

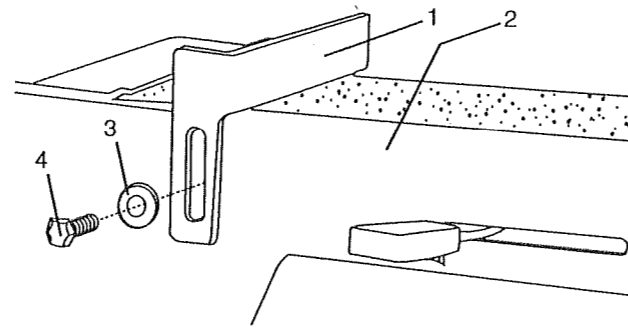
To avoid trapping the workpiece or fingers between the table and sanding disc, the table edge should be positioned a maximum of 1/16" from sanding disc plate, as shown in FIG. I.

BACK STOP INSTALLATION (FIG. J)

The backstop prevents the workpiece from being pulled or dragged beyond the sanding arm. It should always be used to help control the workpiece.

1. Position back stop (1) on sanding arm (2).
2. Place washer (3) on hex bolt (4). Insert bolt through slotted hole into the threaded hole in the side of the sanding arm.
3. Tighten hex bolt securely.

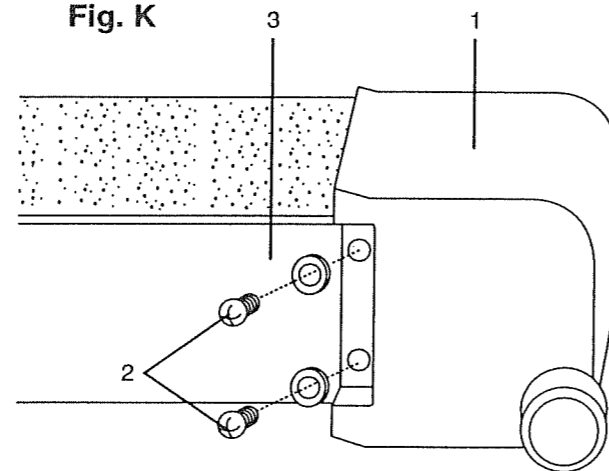
Fig. J



DUST CHUTE INSTALLATION (FIG. K)

1. Position the dust chute (1) on the sanding arm as shown.
2. Place washers on two pan screws (2). Insert the screws through the slots on the side of the dust chute into the threaded holes on the sanding arm (3).
3. Tighten screws securely.

Fig. K



ADJUSTMENTS

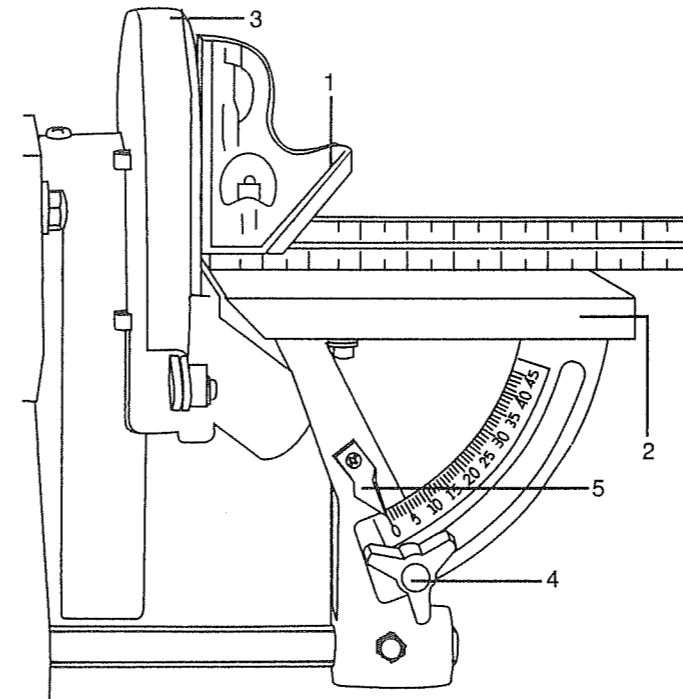
⚠ WARNING

To avoid injury, always keep the plug disconnected from the power source and the switch turned OFF until the sander is completely assembled and adjusted properly.

ADJUSTING TABLE SQUARE WITH SANDING DISC (FIG. L)

1. Using a combination square (1), place one side of the square on the table (2) with the other side against the sanding disc (3), and check to see if the table is 90° to the disc.
2. If the table surface is not 90° to the disc, loosen table lock knob (4), adjust table square with disc and tighten lock knob (4).
3. Adjust pointer (5) to the 0° mark on the angle scale, using a screwdriver.

Fig. L



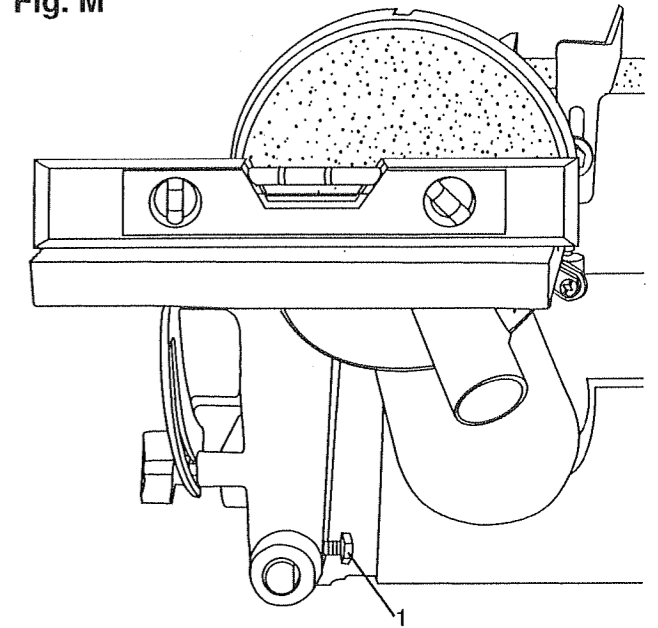
⚠ WARNING

To avoid trapping the workpiece or fingers between the table and sanding disc, the table edge should be positioned a maximum of 1/16" from sanding disc plate.

ADJUSTING TABLE TO BE HORIZONTAL (FIG. M)

1. Place level on table parallel to disc.
2. If not level, hold table, loosen bolt (1).
3. Adjust to horizontal and retighten bolt.

Fig. M



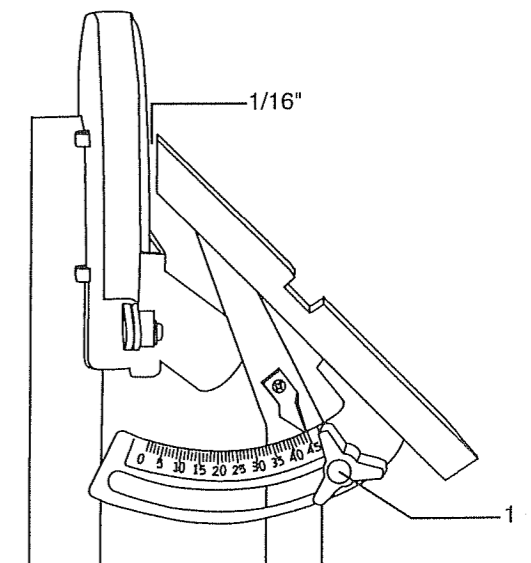
ADJUSTING TABLE ANGLE (FIG. N)

The table can be tilted from 0° to 45° by loosening the table lock knob (1), tilting the table to the desired angle, and tightening table lock knob (1).

⚠ WARNING

After tilting the table, the table assembly must be repositioned on the support rod to a maximum of 1/16" distance between the sanding disc and the edge of the table, to avoid trapping the work or fingers between the disc and table.

Fig. N



SAFETY POWER SWITCH (FIG. O)

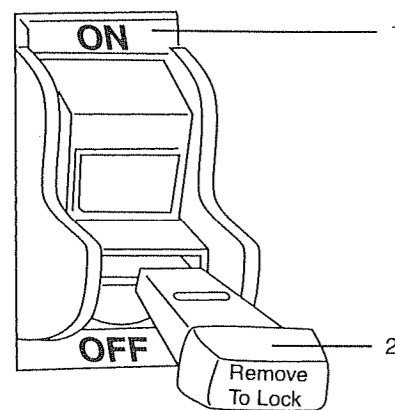
⚠ WARNING

To avoid injury, always keep the plug disconnected from the power source and switch turned OFF until the sander is completely assembled and adjusted properly.

The ON-OFF toggle switch (1) is located on side of the sanding machine. Pull toggle switch up to turn the tool ON and down to turn it OFF. The toggle switch has a switch key (2) for locking the switch in the OFF position.

IMPORTANT: When removing switch key from toggle switch, always push the switch down to the OFF position and pull yellow key out.

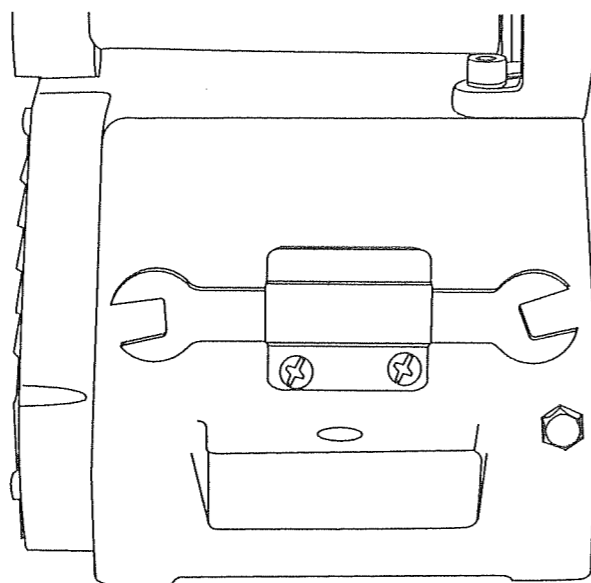
Fig. O



WRENCH (FIG. Q)

Insert the handle of the wrench into the metal clip located on the sander as shown.

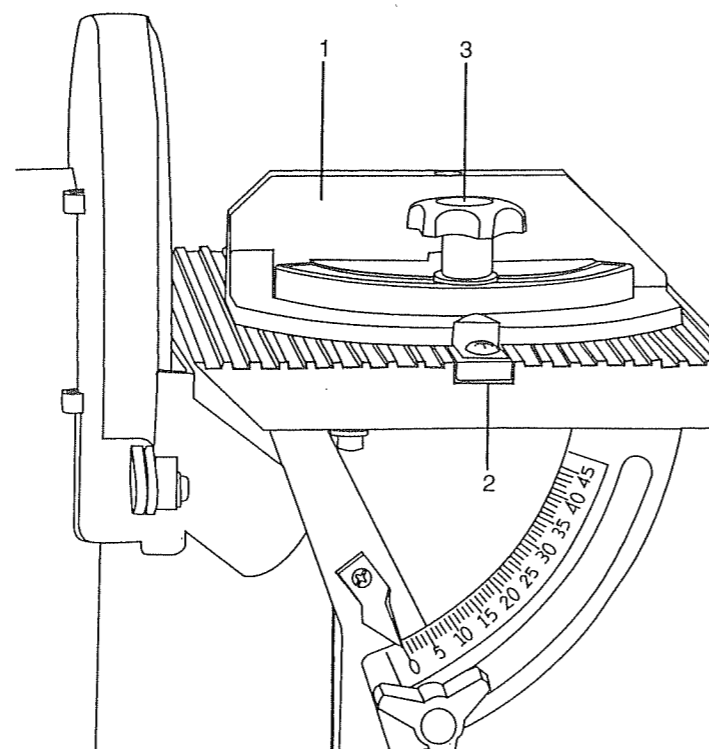
Fig. Q



MITER GAUGE (FIG. R)

A miter gauge (1) is supplied with your sander and is used with the disc table. The miter gauge body can be tilted 0° to 45° right or left for angle or miter sanding. Install the slide rod into the table slot (2) as shown. Loosen lock knob (3), rotate miter gauge body to the desired angle and tighten lock knob (3).

Fig. R



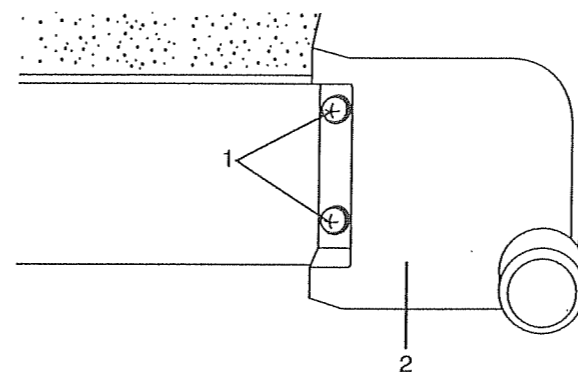
REPLACING SANDING BELT (FIG. S, T, U)

⚠ WARNING

To avoid injury, turn switch OFF and disconnect the plug from the power source before removing and installing sanding belts.

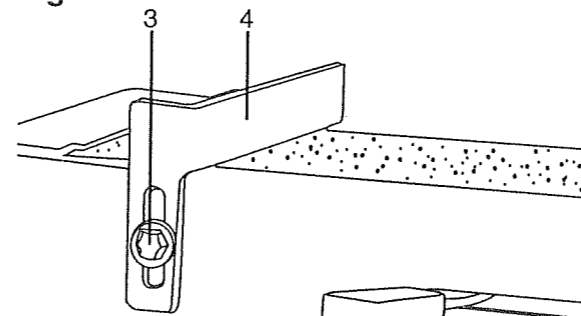
1. Remove two screws (1), and dust chute (2).

Fig. S



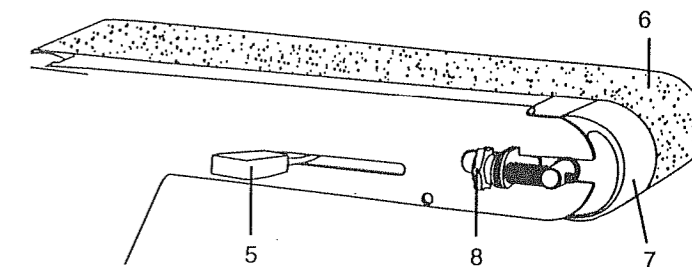
2. Remove hex bolt (3), and backstop (4).

Fig. T



3. Slide tension lever (5), to the right to release tension on the sanding belt (6) (Fig. U).
4. Remove sanding belt from both sanding drums (7).
5. Slide new sanding belt over sanding drums, making sure the belt arrow located on the inside of the belt will run in the direction of the arrow on the sander. Slide tension lever (5), to the left to apply belt tension.
6. Quickly push the belt forward by hand (in the direction of the belt rotation arrow, visible from the top between the sanding disc and the belt arm) and check to see if the sanding belt tends to run to one side or the other on the two pulleys.
7. If the sanding belt runs toward the disc, **slightly** turn the tracking knob (8) counterclockwise.
8. If the sanding belt runs away from the disc, **slightly** turn the tracking knob (8) clockwise.
9. Plug sander into power source and turn the switch ON and OFF quickly, and check to see if the sanding belt runs to either side. Readjust and fine tune tracking knob if necessary.
10. When proper tracking is achieved, replace backstop and dust guard.

Fig. U



CHANGING POSITION OF SANDING ARM

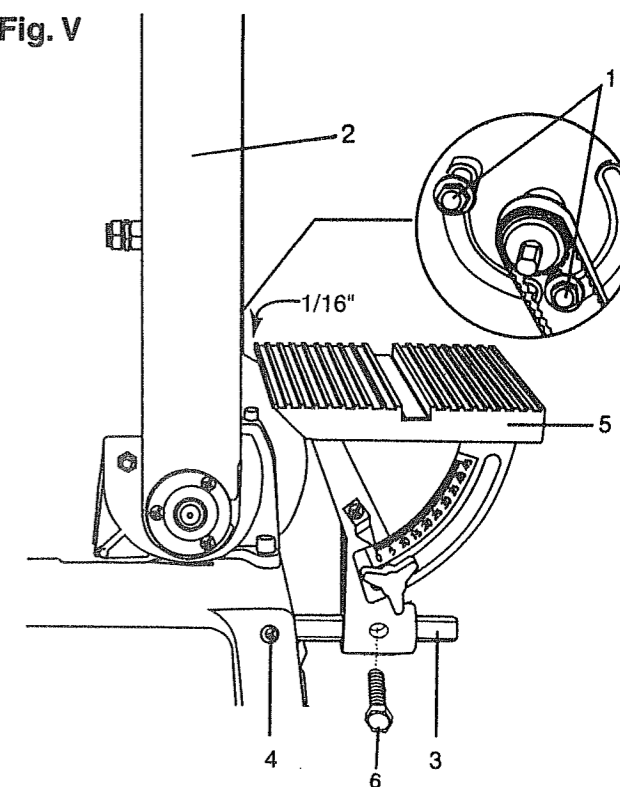
SANDING ARM IN VERTICAL POSITION (FIG. V)

1. The sanding arm can be used in either the horizontal or vertical position. To move the sanding arm, loosen the two bolts (1), that attach arm (2). Move the arm to the desired position. Tighten the two bolts.
2. Insert the table support rod (3) into auxiliary hole as shown. Table support rod should extend 5" outside base.
3. Align round on support rod with hex bolt on sander and tighten hex bolt (4) on sander.
4. Slide table assembly (5) onto rod (3), as shown.
5. Align flat on support rod with hex bolt (6) on table bracket and tighten bolt.

⚠ WARNING

To avoid trapping the workpiece or fingers between the table and sanding belt, the table edge should be positioned a maximum of 1/16" from sanding belt.

Fig. V



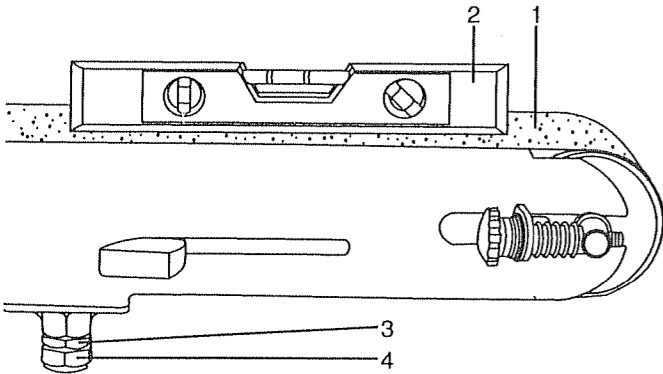
ADJUSTING SANDING ARM

LEVELING THE ARM (FIG. W)

A positive stop is provided to position the sanding arm level with the workbench when the arm is in the horizontal position.

1. Place the sanding arm (1) in the horizontal position.
2. Place a level (2) on the sanding belt and check to see if the arm is level.
3. If an adjustment is necessary, loosen lock nut (3), and turn sanding arm stop (4) clockwise to raise, or counterclockwise to lower, until the sanding arm is level. Then tighten lock nut (3).

Fig. W



OPERATION

The belt and disc sander is designed to perform rough sanding operations on surface, edge grain and end grain sanding. The sander will also perform freehand forming and contouring operations. The following suggestions are recommended for best results and safest use.

1. Always apply light pressure allowing the abrasive to remove the material slowly.
2. The workpiece should be moved, continuously, to avoid burning.
3. Avoid sanding small pieces of wood which will position the fingers close to the abrasive belt or disc.

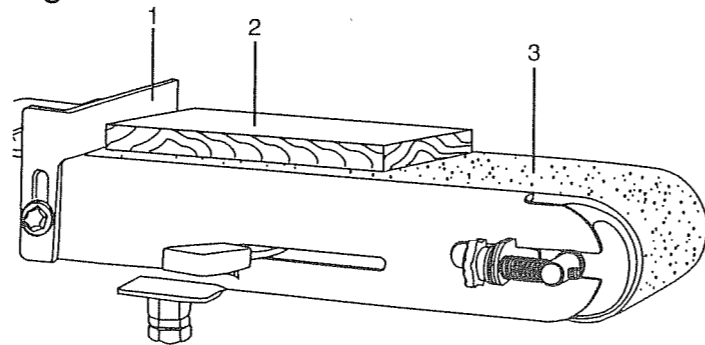
USING BACKSTOP WITH SANDING ARM (FIG. X)

When using the sanding arm in the horizontal position, to perform surface or edge sanding, the backstop (1) must always be used. Always hold the work piece (2) firmly keeping your fingers away from the sanding belt (3). Always keep the end of the workpiece against the backstop and move the work evenly across the sanding belt. Apply only enough pressure to allow the sanding belt to remove material. Use extra caution when sanding very thin pieces.

▲ WARNING

The edge of the backstop must be positioned a maximum of 1/16" from the sanding belt to avoid trapping the work or fingers between the backstop and sanding belt.

Fig. X



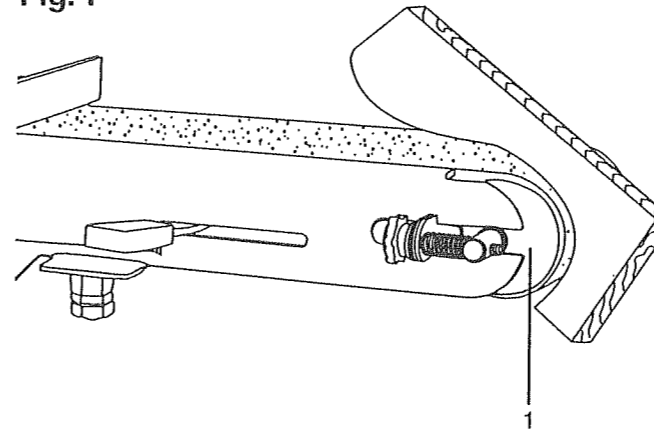
SANDING INSIDE CURVES (FIG. Y)

Freehand sanding of inside curves can be sanded on the idler drum (1). Never attempt to sand the ends of a workpiece on the drive drum.

▲ WARNING

To avoid injury, do not apply the end of the workpiece to the idler drum. This could cause the workpiece to fly up or cause kickback.

Fig. Y



SANDING OUTSIDE CURVES (FIG. Z)

Freehand sanding of outside curves should be done on the sanding disc (1). Keep fingers a minimum of 1 inch from the disc.

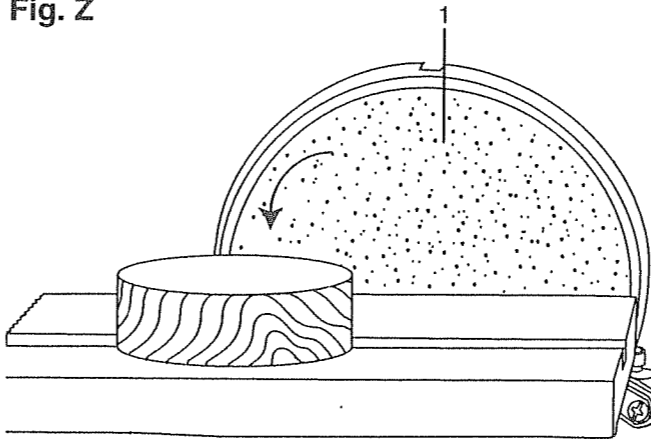
▲ WARNING

Always sand on the left (downward) side of the sanding disc, as shown. Sanding on the right (upward) side of the sanding disc could cause the workpiece to fly up which could be hazardous.

▲ WARNING

The edge of the table must be positioned a maximum of 1/16" from the sanding disc to avoid trapping the workpiece or fingers between the table and sanding disc.

Fig. Z



END GRAIN SANDING WITH THE BELT (FIG. AA)

When sanding the ends of the wide workpieces it is more convenient to use the sanding belt (1) with the sanding arm in the vertical position and the table assembly (2) moved to the sanding belt, as shown. See section titled CHANGING POSITION OF SANDING ARM.

For more accurate work use the miter gauge and move the workpiece evenly across the sanding belt.

IMPORTANT: Use a combination square to position miter gauge perpendicular to face of the disc. If it is not square loosen miter gauge knob and move miter gauge, slightly, until it is square.

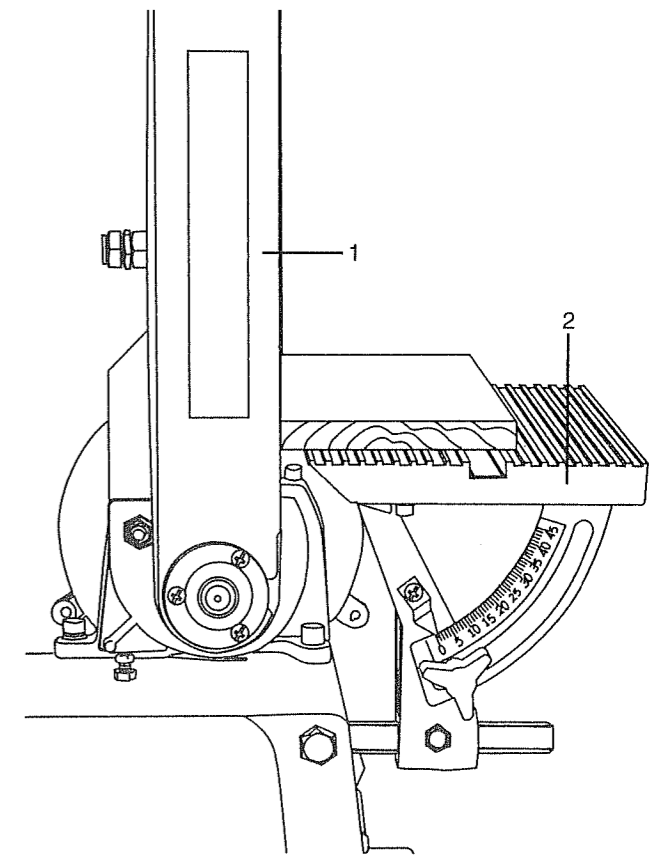
▲ WARNING

For your own safety, turn switch OFF and remove plug from the power source outlet during assembly or while making adjustments to belt / disc sander.

▲ WARNING

The edge of the table must be positioned a maximum of 1/16" from the sanding belt to avoid trapping the workpiece or fingers between the table and sanding belt.

Fig. AA



MAINTENANCE

▲ WARNING

For your own safety, turn switch OFF and remove plug from the power source outlet before maintaining, or lubricating your belt / disc sander.

1. Frequently blow out or vacuum out any dust that may accumulate inside the motor.
2. Remove impacted sawdust from the disc and belt abrasive or replace abrasive.

▲ WARNING

Certain cleaning agents and solvents damage plastic parts. Some of these are: gasoline, carbon tetrachloride, chlorinated cleaning solvents, ammonia and household detergents that contain ammonia. Avoiding use of these and other types of cleaning agents, minimizes the probability of damage.

▲ WARNING

To avoid shock or fire hazard, if the power cord is worn or cut, or damaged in any way, have it replaced immediately.

▲ WARNING

All repairs, electrical or mechanical, should be attempted only by trained repairmen. Contact the nearest Sears Service Center.

LUBRICATION

All of the BALL BEARINGS are packed with grease at the factory. They require no further lubrication.

TROUBLESHOOTING

TROUBLESHOOTING GUIDE

▲ WARNING

Turn switch OFF and always remove plug from power source before making any adjustments or repairs.

▲ WARNING

All repairs, electrical or mechanical, should be attempted only by qualified service technicians. Contact the nearest Sears Service Center.

PROBLEM	PROBABLE CAUSE	REMEDY
Motor will not run.	<ol style="list-style-type: none"> 1. Defective or broken ON/OFF switch. 2. Defective or damaged switch cord. 3. Defective or damaged switch relay. 4. Burned out motor. 5. Blown house fuse. 	<ol style="list-style-type: none"> 1-3. Replace all broken or defective parts before using sander. 4. Consult your local Sears Service Center. Any attempt to repair this motor may create a hazard unless repair is done by a qualified technician. 5. Replace house fuse. Turn OFF other appliances and power tools on the same circuit.
Machine slows down while sanding.	<ol style="list-style-type: none"> 1. Operator applying too much pressure to workpiece. 2. Dirt on wheels. 3. Worn or stretched belt. 	<ol style="list-style-type: none"> 1. Use less pressure in applying workpiece to sanding surface. 2. Clean wheels. 3. Replace pulley belt.
Sanding belt runs off pulleys.	<ol style="list-style-type: none"> 1. Not tracking properly. 	<ol style="list-style-type: none"> 1. Adjust tracking. See section "REPLACING SANDING BELT".
Wood burns while sanding.	<ol style="list-style-type: none"> 1. Sanding disc or belt glazed with sap. 2. Excessive pressure being applied to workpiece. 	<ol style="list-style-type: none"> 1. Replace belt or disc. 2. Reduce pressure applied to workpiece.
Motor overheats	<ol style="list-style-type: none"> 1. Motor overload. 	<ol style="list-style-type: none"> 1. Reduce motor load. Allow to cool off before restarting.

PARTS

4" x 36" BELT /DISC SANDER

MODEL NO. 137.283290

4" x 36" BELT /DISC SANDER

MODEL NO. 137.283290

▲ WARNING

When servicing use only CRAFTSMAN replacement parts. Use of any other parts may create a HAZARD or cause product damage.

▲ WARNING

Any attempt to repair or replace electrical parts on this belt / disc sander may create a HAZARD unless repair is done by a qualified service technician. Repair service is available at your nearest Sears Service Center.

Always order by PART NUMBER, not by key number

Key No.	Part No.	Description	Size	Qty.	Key No.	Part No.	Description	Size	Qty.
1	2668BBDA37	Pan hd. screw	M6x1.0-8	4	61	2701QBD514	Hex. nut	1/2x13	1
2	15900204	Floor plate		1	62	N/A			1
3	2601BZDA47	Hex. hd. bolt	M6x1.0	1	63	16001701	Spring		1
4	2701FZD106	Hex nut	M6x1.0	1	64	15902001	Guide drum		1
5	15904102	Motor pulley		1	65	2705QZD506	Nut chuck	1/4x20	1
6	8343725904	Motor		1	66	2601QBDK37	Hex. hd. bolt	1/4x20	1
7	15900702	Motor rod		1	67	2502NBC406	Spring washer		1
8	2570BBN207	E-ring		1	68	16003001	Gripe		1
9	15900904	Base		1	69	16002901	Belt tension lever		1
10	2898DB7G06	Rocker switch		1	70	15902501	Handle		1

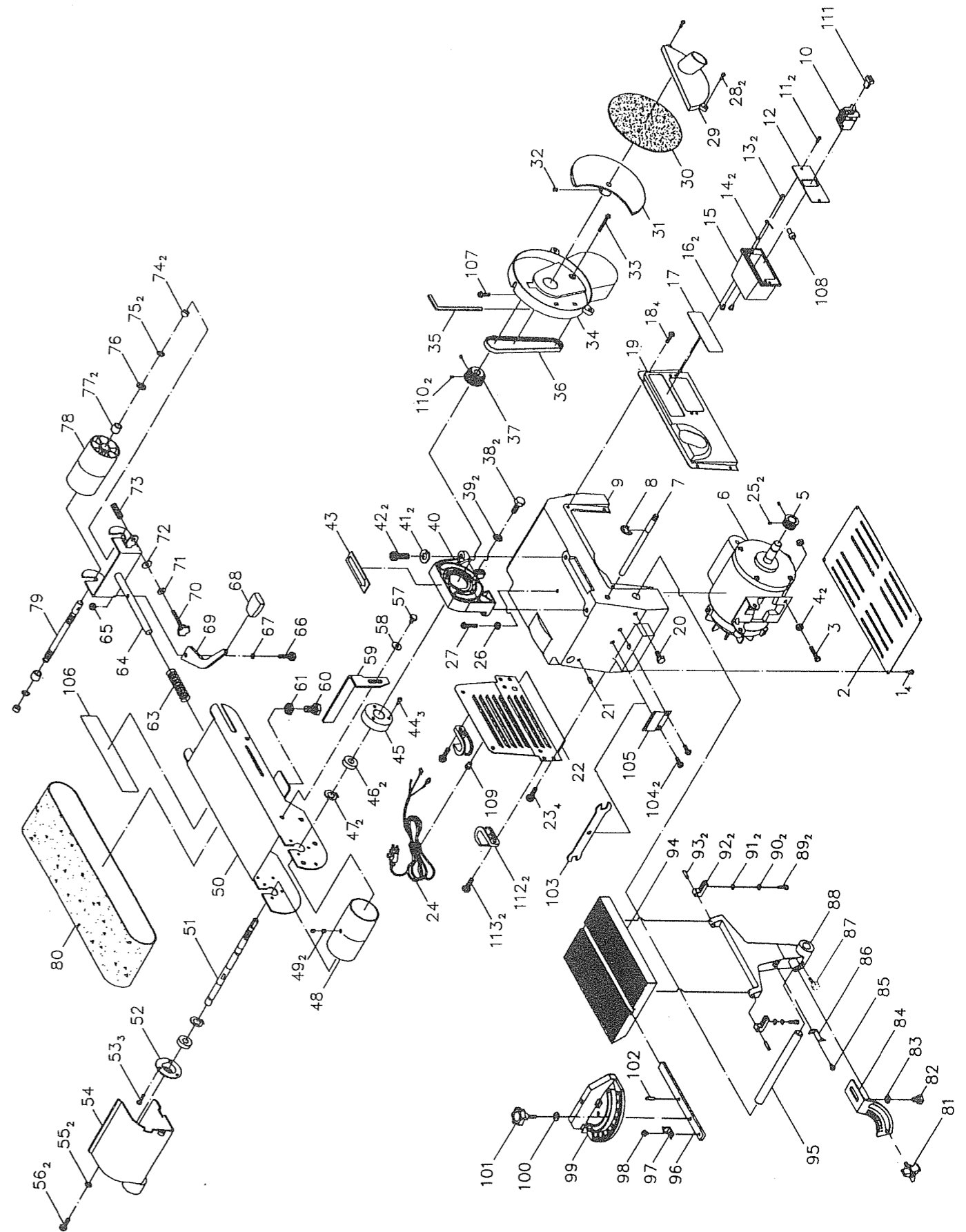
11	2660PBCK11	Pan hd. tapping screw	M4x18-12	2	71	15904001	Plastic washer		1
12	15901204	Switch cover		1	72	2501NBDN16	Flat washer		1
13	2660PBCK10	Pan hd. tapping screw	M4x18-8	2	73	16002301	Spring		1
14	2504MZC004	External tooth lock washer		2	74	15901701	Rubber pad		2
15	15903101	Switch box		1	75	2570BBN112	C-ring		2
16	2801UBHA07	Strain relief		2	76	2506MBN612	Wave washer		1
17	15901704	Label		1	77	15901801	Bush		2
18	2668BBDA37	Pan hd. screw	M6x1.0-8	4	78	15901902	Drum-idler		2
19	15901903	Plate cover		1	79	15902101	Shaft-idler		1
20	2601QBDK57	Hex. hd. bolt	5/16x18-1	1	80	15900801	Sanding belt		1

21	2603BBLA38	Hex. soc. set screw	M6x1.0-10	1	81	15905501	Lock knob		1
22	15902202	Plate cover		1	82	2601QBDK53	Hex. hd. bolt	5/16x18-7/16	1
23	2668BBDA37	Pan hd. screw	M6x1.0-8	4	83	2501NBDN24	Flat washer		1
24	2807BY06H2	Power cable		1	84	16005201	Tilt bracket		1
25	2606BBLA05	Hex. soc. set screw	M4x0.7-4	2	85	2668QBDK24	Pan hd. screw	10#x24-1/4	1
26	2701FBD106	Hex. nut	M6x1.0	1	86	16004901	Needle pointer		1
27	2668BBDA41	Pan hd. screw	M6x1.0-20	1	87	2601QBDK55	Hex. hd. bolt	5/16x18-3/4	1
28	2668QBDK17	Pan hd. screw	8#x32-1/2	2	88	16004801	Table support		1
29	17711501	Disc cover		1	89	15906101	Hex. soc. hd. cap bolt	10#x32-0.59	2
30	15904601	Disc sanding		1	90	2504MBC005	External tooth lock washer		2

31	15904501	Plate sanding		1	91	2501NBDN03	Flat washer		2
32	2603RBLK32	Hex. soc. set screw	1/4x20-1/4	1	92	15906301	Pin pivot support		2
33	2668BBDA45	Pan hd. screw	M6x1.0-40	1	93	16004301	Pin pivot		1
34	16005903	Pulley cover		1	94	15906001	Table sander		2
35	2138NBL701	Wrench hex.		1	95	15905301	Support rod		1
36	2572ARY150	Synch belt		1	96	14911703	Sheet bar		1
37	15903701	Spindle pulley		1	97	14606001	Angle pointer		1
38	2601QBDK59	Hex. hd. bolt	5/16x18-1 1/2	2	98	2641BZDA22	Round washer hd. screw	M5x0.8-6	1
39	2501NBDN22	Flat washer	5/16x25/32-1/8	2	99	14607802	Miter gauge		1
40	15904002	Bearing seat bracket		1	100	2501NBDN10	Flat washer		1

41	2502ABC416	Spring washer		2	101	14608301	Knob		1
42	2602BBLA55	Hex. soc. hd. cap bolt	M8x1.25-20	2	102	14608001	Pin		1
43	15907803	Caution label		1	103	15910601	Wrench		1
44	2668QBDK27	Pan hd. screw	10#x24-3/4	3	104	2620BBDC19	Pan hd. screw & washer	M6x1.0-12	2
45	17305801	Bearing seat		1	105	15910801	Clamp		1
46	2001ZZ6001	Ball bearing		2	106	15911004	Warning label		1
47	2570BBN112	C-ring		2	107	2668BBDA39	Pan hd. screw	M6x1.0-12	1
48	15900102	Drive-drum		1	108	2805U5HN16	Terminal		1
49	2603RBLK32	Hex. soc. set screw	1/4x20-1/4	2	109	2801DBHA01	Strain relief		1
50	16001203	Table belt		1	110	2606BBLA05	Hex. soc. set screw	M4x0.7-4	2

51	15900701	Drive shaft		1	111	28605BH071	Switch key		1
52	16001401	Cap-bearing		1	112	16314301	Power cord clamp		2
53	2668QBDK22	Pan hd. screw	10#x24-1/4	3	113	2641BBDA40	Round washer hd. screw		2
54	16008101	Dust collector		1	114	2501MZDN06	Flat washer		2
55	2501NBDN03	Flat washer		2		137283290001	Owner's manual		1
56	2668QBDK22	Pan hd. screw	10#x24-1/4	2					
57	2601QBDK34	Hex. hd. bolt	1/4x20-1/2	1					
58	2501NBDN16	Flat washer	1/4x3/4-1/16	1					
59	16003101	Stop back		1	N/A	Not applicable			
60	15901101	Screw stop		1	*	Not shown			



Free Manuals Download Website

<http://myh66.com>

<http://usermanuals.us>

<http://www.somanuals.com>

<http://www.4manuals.cc>

<http://www.manual-lib.com>

<http://www.404manual.com>

<http://www.luxmanual.com>

<http://aubethermostatmanual.com>

Golf course search by state

<http://golfingnear.com>

Email search by domain

<http://emailbydomain.com>

Auto manuals search

<http://auto.somanuals.com>

TV manuals search

<http://tv.somanuals.com>