

OPERATOR'S MANUAL MANUEL DEL OPERADOR

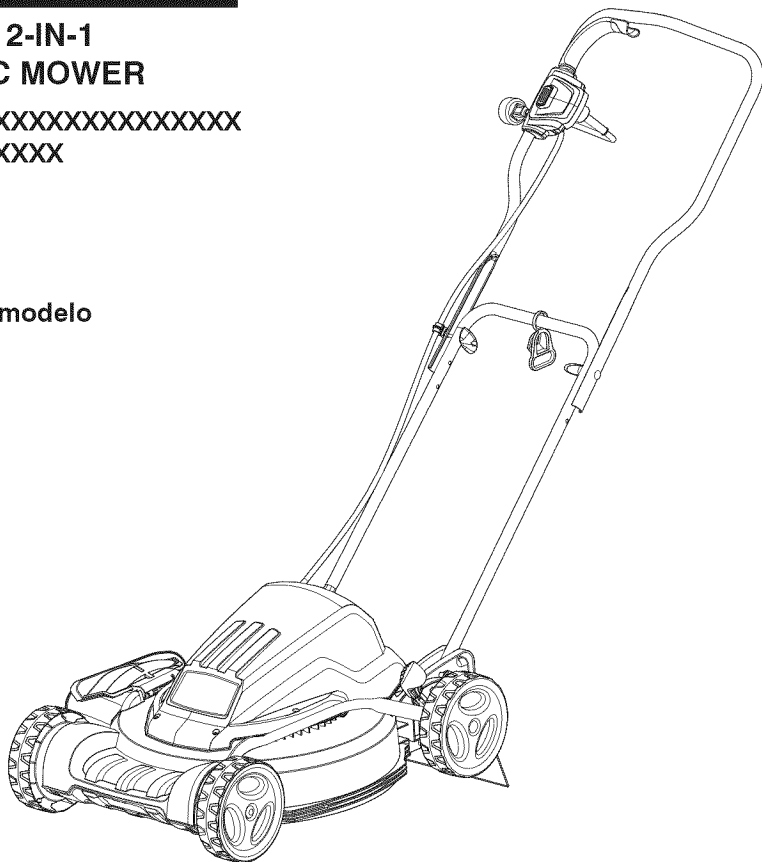


10A - 19" 2-IN-1
ELECTRIC MOWER

XXXXXXXXXXXXXXXXXXXXXXXXXX
XXXXXXXXXXXX

Model No.
151.37214

Número de modelo
151.37214



⚠ WARNING: To reduce the risk of injury, the user must read and understand the operator's manual before using this product.

⚠ ADVERTENCIA: Para reducir el riesgo de lesiones, el usuario debe leer y comprender el manual del operador antes de usar este producto.

Sears Brands Management Corporation, Hoffman Estates, IL 60179 USA
Visit the Craftsman web page: www.craftsman.com
Visite el sitio web de Craftsman: www.craftsman.com

Save this manual for future reference
Guarde este manual para futuras consulta



GENERAL SAFETY RULES



WARNING!

READ AND UNDERSTAND ALL INSTRUCTIONS. Failure to follow all instructions listed below and on the machine may result in electric shock, fire, and/or serious personal injury.

READ ALL INSTRUCTIONS

- This cutting machine is capable of amputating hands and feet and throwing objects. Failure to observe all safety instructions could result in serious injury or death.
- Do not use the lawn mower in damp or wet conditions or operate in the rain.
- Never allow adults to operate the product without proper instruction.
- Keep the area clear of all bystanders, children, and pets while mowing. Stop machine if anyone enters the area.
- Tragic accidents can occur if the operator is not alert to the presence of children. Children are often attracted to the machine and the mowing activity. Never assume that children will remain where you last saw them. • Keep children out of the mowing area and under the watchful care of a responsible adult other than the operator. • Be alert and turn mower off if a child enters the area. • Never allow children to operate the machine. • Use extra care when approaching blind corners, shrubs, trees, or other objects that may block your view of a child.
- Do not wear loose clothing or jewelry. They can be caught in moving parts. Use of rubber gloves and footwear is recommended when working outdoors.
- Keep firm footing and balance. Do not overreach. Over-reaching can result in loss of balance.
- Do not operate the equipment while barefoot or when wearing sandals or similar lightweight footwear. Wear protective footwear that will protect your feet and improve your footing on slippery surfaces.
- Do not leave the mower unattended while running.
- Keep hands and feet away from cutting area.
- Operate the lawn mower only in daylight or good artificial light.
- Never intentionally strike or hit trees, fences, etc. This can cause injuries or severely damage the reel mower mechanisms.
- Make sure the lawn mower is in safe operating condition. Do not attempt to operate this mower if it is damaged. Take it to a qualified service dealer for inspection and possible repair using identical replacement parts.
- Do not force tool. Use the correct tool for your application. The correct tool will do the job better and safer at the rate for which it is designed.
- Always wear safety glasses with side shields. Everyday glasses have only impact resistant lenses. They are NOT safety glasses. Following this rule will reduce the risk of eye injury. Use face mask if operation is dusty.

- Wear safety glasses or goggles that are marked to comply with ANSI Z87.1 standard when operating this product.
- Use the right appliance. Do not use the lawn mower for any job except that for which it is intended.
- Do not force the lawn mower. It will do the job better and safer at the rate for which it was designed.
- Stay alert, watch what you are doing, and use common sense when operating the lawn mower. Do not operate the mower while tired or under the influence of drugs, alcohol, or medication. A moment of inattention while operating the lawn mower may result in serious personal injury.
- Keep machine in good working condition. Keep blades sharp and guards in place and in working order.
- Check all nuts, bolts, and screws at frequent intervals for proper tightness to be sure the equipment is in safe working condition.
- Stop the motor and wait until the blade comes to a complete stop before cleaning the lawn mower, removing the grass catcher, or unclogging the discharge guard.
- When not in use, mower should be stored indoors in a dry, locked up place—out of the reach of children.
- To reduce the risk of electric shock, this product has a polarized plug (one blade is wider than the other) and will require the use of a polarized extension cord. The plug will fit into a polarized extension cord only one way, if the plug does not fit fully into the extension cord, reverse the plug. If the plug still does not fit, obtain a correct polarized extension cord. A polarized extension cord will require the use of a polarized wall outlet. This plug will fit into the polarized wall outlet only one way. If the plug does not fit fully into the wall outlet, reverse the plug. If the plug still does not fit, contact a qualified electrician to install the proper wall outlet. Do not change the equipment plug, extension cord receptacle, or extension cord plug in any way.
- Do not abuse the cord. Never use the cord to pull the lawn mower or to disconnect the plug from an outlet. Keep cord away from heat, oil, sharp edges, or moving parts. Replace damaged cords immediately. Damaged cords increase the risk of electric shock.
- Make sure your extension cord is in good condition. When using an extension cord, be sure to use one heavy enough to carry the current your product will draw. A wire gauge size (A.W.G.) of at least 14 is recommended for an extension cord 50 feet or less in length. If in doubt, use the next heavier gauge. The smaller the gauge number, the heavier the cord. An undersized cord will cause a drop in line voltage resulting in loss of power and overheating.
- **WARNING:** Use outdoor extension cords marked SW-A, SOW-A, STW-A, STOW-A, SJW-A, SJTA, SJTW-A, or SJTOWA. These cords are rated for outdoor use and reduce the risk of electric shock.

GENERAL SAFETY RULES










- Ground Fault Circuit Interrupter (GFCI) protection should be provided on the circuit(s) or outlet(s) to be used for the lawn mower. Receptacles are available having built-in GFCI protection and may be used for this measure of safety.
- Inspect extension cords periodically and replace if damaged. Keep handles dry, clean, and free from oil or grease.

SPECIFIC SAFETY RULES

- Do not operate the mower without the entire grass catcher, discharge guard, rear guard, or other safety protective devices in place and working.
- Follow manufacturer's instructions for proper operation and installation of accessories. Only use accessories specified in this Operator's Manual.
- Clear the work area before each use. Remove all objects such as rocks, sticks, wire, bones, toys, or other objects which can be thrown by the blade. Stay behind the handle when the motor is running.
- Avoid holes, ruts, bumps, rocks, or other hidden objects. Uneven terrain could cause a slip and fall accident.
- Do not mow near drop-offs, ditches, or embankments.
- Vibration is motor and check immediately for the cause.
- Plan your mowing pattern to avoid discharge of material toward roads, sidewalks, bystanders, and the like. Also, avoid discharging material against a wall or obstruction, which may cause the material to ricochet back toward the operator.
- Do not mow on wet grass or excessively steep slopes. Poor footing could cause a slip and fall accident. Walk, never run.
- Use extra care when approaching blind corners, shrubs, trees, or other objects that may block your view.
- Do not pull the mower backward unless absolutely necessary. If you must back the mower away from a wall or obstruction, first look down and behind to avoid tripping.
- Never direct discharged material toward anyone. Avoid discharging material against a wall or obstruction. Material may ricochet back toward the operator. Stop the blade when crossing gravel surfaces.
- Objects struck by the lawn mower blade can cause severe injuries to persons. The lawn should always be carefully examined and cleared of all objects prior to each mowing.
- If the lawn mower strikes a foreign object, follow these steps:
 - Stop the lawn mower and release the switch control.
 - Disconnect the power cord.
 - Thoroughly inspect the mower for any damage.
 - Repair any damage before restarting and continuing to operate the mower.
- Stop the motor, disconnect the power cord, and wait until the blade comes to a complete stop before removing the grass catcher or unlogging the chute. The cutting blade continues to rotate for a few seconds after the motor is shut off. Never place any part of the body in the blade area until you are sure the blade has stopped rotating.
- Disconnect the plug from power source before making any adjustments, changing accessories, or storing the lawn mower. Such preventive safety measures reduce the risk of starting the product accidentally.
- If the mower should start to vibrate abnormally, stop the motor and check immediately for the cause. Vibration is generally a warning of trouble.
- Service on the product must be performed by qualified repair personnel only. Service or maintenance performed by unqualified personnel could result in injury to the user or damage to the product.
- Use only identical replacement parts when servicing the product. Use of other parts may create a risk of serious injury to the user, or damage to the product.
- If the power supply cord is damaged, stop using the unit. Take unit to a qualified service dealer for inspection and possible repair using identical replacement parts.
- Save these instructions. Refer to them frequently and use them to instruct others who may use this product. If you loan someone this tool, loan them these instructions also.




SYMBOLS

Some of the following symbols may be used on this product. Please study them and learn their meaning. Proper interpretation of these symbols will allow you to operate the product better and safer.

SYMBOL	NAME	DESIGNATION/EXPLANATION
V	Volts	Voltage
A	Amperes	Current
Hz	Hertz	Frequency (cycles per second)
W	Watt	Power
min	Minutes	Time
~	Direct Current	Type or a characteristic of current
	No Load Speed	Rational speed, at no load
n_o	Safety Alert	Precaution that involve your safety.
	Class II Construction	Double-insulated construction
/min	Per Minute	Revolutions, strokes, surface speed, orbits etc., per minute
	Wet Conditions Alert	Do not expose to rain or use in damp locations
	Read The Operator's Manual	To reduce the risk of injury user must read and understand operator's manual before using this product.
	Eye Protection	Always wear eye protection with side shields marked to comply with ANSI Z87.1.
	Ricochet	Thrown objects can ricochet and result in personal injury or property damage.
	Sharp Blade	Danger – Keep hands and feet away from blade.
	Operating on a slope	Do not mow a slope that has an angle of greater than 15°.
	Keep Bystanders Away	Keep all bystanders at least 50 ft. away.
	Electric Shock	Failure to use in dry conditions and to observe safe practices can result in electric shock.

SYMBOLS

The following signal words and meanings are intended to explain the levels of risk associated with this product.


SYMBOL	SIGNAL	MEANING
	DANGER	Indicates an imminently hazardous situation, which, if not avoided, will result in death or serious injury.
	WARNING	Indicates a potentially hazardous situation, which, if not avoided, could result in death or serious injury.
	CAUTION	Indicates a potentially hazardous situation, which, if not avoided, may result in minor or moderate injury.
	CAUTION	(Without Safety Alert Symbol) Indicates a situation that may result in property damage.

WARNING!

To avoid serious personal injury, do not attempt to use this product until you thoroughly read and completely understand the operator's manual.

If you do not understand the warnings and instructions in the operator's manual, do not use this product. Call the Customer Care Hot Line for assistance at 1-888-331-4569.

WARNING!

 The operation of any power tool can result in foreign objects being thrown into your eyes, which can result in severe eye damage. Before beginning power tool operation, always wear safety goggles or safety glasses with side shields and, when needed, a full face shield.

We recommend Wide Vision Safety Mask for use over eyeglasses or standard safety glasses with side shields. Always use eye protection which is marked to comply with ANSI Z87.1.

FEATURES

PRODUCT SPECIFICATIONS

Electric Mower Voltage.....	120V~6Hz
Motor Amperage.....	10A
Motor Speed.....	3600 r/min
Cutting Width.....	18 inch (460mm)
Cutting HeightAdjustment.....	6 Levels (1.5"/38mm - 4"/101.6mm)
Deck Width.....	19 inch (48mm)
Wheel Size.....	6.7 inch (170mm)
Weight.....	31 lbs (14.00kg)

KNOW YOUR LAWN MOWER

Fig. 1

The safe use of this product requires an understanding of the information on the product and in this operator's manual as well as a knowledge of the project you are attempting. This 2-in-1 lawn mower is capable of both mulching and side discharge.

Before use of this product, familiarize yourself with all operating features and safety rules.

A - Cord retainer - A convenient cord retainer helps keep the extension cord connection secure during mower operation.

B - Cutting height adjustment lever - Single lever adjusts height of all four wheels to 6 different positions

C - Foldable push handle - ergonomic steel handle makes mowing easy.

D - Lever switch - depress to start mower; release to stop mower.

E - Power button switch - engages power to lever switch for start-up.

F - Power cord receptacle - easy power cord attachment

G - Wheel - large 6.7" wheels

H - Mower deck - lightweight never rust mower deck.


I - Side discharge chute.

J - Mulching door.

ELECTRICAL

DOUBLE INSULATION

Double insulation is a concept in safety in electric power tools, which eliminates the need for the usual three-wire grounded power cord. All exposed metal parts are isolated from the internal metal motor components with protecting insulation. Double insulated tools do not need to be grounded.

 **WARNING!** READ AND UNDERSTAND ALL INSTRUCTIONS. Failure to follow all instructions listed below and on the machine may result in electric shock, fire, and/or serious personal injury.

NOTE: Servicing of a product with double insulation requires extreme care and knowledge of the system and should be performed only by a qualified service technician. Always use original replacement parts as listed in the Parts List pages of this manual.

ELECTRICAL CONNECTION

This product has a precision-built electric motor. It should be connected to a power supply that is 120 volts, 60 Hz, AC only (normal household current). Do not operate this product on direct current (DC). A substantial voltage drop will cause a loss of power and the motor will overheat. If the product does not operate when plugged into an outlet, double-check the power supply.

EXTENSION CORDS

See Fig 2

When using a power tool at a considerable distance from a power source, be sure to use an extension cord that has the capacity to handle the current the product will draw. An undersized cord will cause a drop in line voltage, resulting in overheating and loss of power. Use the chart to determine the minimum wire size required in an extension cord. Only round jacketed cords listed by Underwriter's Laboratories (UL) should be used.

When working outdoors with a product, use an extension cord that is designed for outside use. This type of cord is designated with "WA" on the cord's jacket.

Before using any extension cord, inspect it for loose or exposed wires and cut or worn insulation.


It is possible to tie the extension cord and power cord in a knot to prevent them from becoming disconnected during use. Make the knot as shown in figure 2, then connect the plug end of the power cord into the receptacle end of the extension cord. This method can also be used to tie two extension cords together.


**Ampere rating (on product data plate)

Cord Length	Wire Size (A.W.G.)					
	0-2.0	2.1-3.4	3.5-5.0	5.1-7.0	7.1-12.0	12.1-16.0
25'	16	16	16	16	14	14
50'	16	16	16	14	14	12
100'	16	16	14	12	12	—


**Used on 12 gauge - 20 amp circuit.

NOTE: AWG = American Wire Gauge

 **WARNING!** Keep the extension cord clear of the working area. Position the cord so that it will not get caught on lumber, tools, or other obstructions while you are working with a power tool. Failure to do so can result in serious personal injury.

 **WARNING!** Check extension cords before each use. If damaged replace immediately. Never use the product with a damaged cord since touching the damaged area could cause electrical shock resulting in serious injury.

PROPOSITION 65

 **WARNING!** Some dust created by power sanding, sawing, grinding, drilling, and other construction activities contains chemicals known to cause cancer, birth defects or other reproductive harm. Some examples of these chemicals are:

- lead from lead-based paints
- crystalline silica from bricks and cement and other masonry products
- arsenic and chromium from chemically-treated lumber

Your risk from these exposures varies, depending on how often you do this type of work. To reduce your exposure to these chemicals: work in a well ventilated area, and work with approved safety equipment, such as those dust masks that are specially designed to filter out microscopic particles.

ASSEMBLY

KNOW YOUR LAWN MOWER

See Fig 3

This product requires assembly.

- Carefully remove the product and any accessories from the box. Make sure that all items listed in the packing list are included.
- Inspect the product carefully to make sure no breakage or damage occurred during shipping.
- Do not discard the packing material until you have carefully inspected and satisfactorily operated the product.
- If any parts are damaged or missing, do not operate the mower. Return it for replacement to the retailer from which it was purchased.

NOTE: Sometimes the hardware pack is found beneath the interior box flaps.

PACKING LIST

- A Mower assembly
- B Side discharge chute
- C Operator's Manual
- D Hardware Pack

WARNING!

If any parts are damaged or missing do not operate this product until the parts are replaced. Failure to heed this warning so could result in serious personal injury.

WARNING!

Do not attempt to modify this product or create accessories not recommended for use with this product. Any such alteration or modification is misuse and could result in a hazardous condition leading to possible serious personal injury.

WARNING!

Do not connect to power supply until assembly is complete. Failure to comply could result in accidental starting and possible serious personal injury.

WARNING!

Never operate the mower without the proper safety devices in place and working. Never operate the mower with damaged safety devices. Failure to heed this warning can result in serious personal injury.

ASSEMBLING HANDLE

See Fig 3-4

- Take the mower out of the box, put it on the ground
- Pull up and back on the lower handle and upper handle to raise the handles into operating position. Make certain the handles snap into place.
- Tighten the handle locking knobs on both sides of the handle to secure. Tighten all locking knobs but do not over-tighten. There are a total of 4 knobs: 2 at the junction of the upper and lower handle, and 2 at the base of the lower handle near the mower deck.

SIDE DISCHARGE CHUTE

See Fig 5

The mower comes set in the mulching configuration to dispense grass clipping directly beneath the mower. To dispense clippings outside the mower, pull up the spring-loaded side door on deck. Install the side discharge chute by latching the two chute plastic hooks over the steel rod across side opening.

CUTTING HEIGHT POSITIONS

See Fig 6

Position	Cut
1 (LOW)	1.5" (38 mm)
2	2" (50.7 mm)
3	2.5" (63.4 mm)
4	3" (76.2 mm)
5	3.5" (88.9 mm)
6 (HIGH)	4" (101.6 mm)

SETTING CUTTING HEIGHT

When shipped, the wheels on the mower are set to a low-cutting position. Before using the mower for the first time, adjust the cutting position to the height best suited for your lawn. The average lawn height should be between 1" to 4" based on the type of grass grown.

To set the cutting height:

- To raise the cutting height, grasp the height adjustment lever and move it toward the back of the mower.
- To lower the cutting height, grasp the height adjustment lever and move it toward the front of the mower.

OPERATION

WARNING!

Do not allow familiarity with this type of product to make you careless. Remember that a careless fraction of a second is sufficient to inflict serious injury.

WARNING!

Always wear safety goggles or safety glasses with side shields when operating this product. Failure to do so could result in objects being thrown into your eyes, resulting in possible serious injury.

WARNING!

Do not use any attachments or accessories not recommended in this operator's manual. The use of attachments or accessories not recommended can result in serious personal injury.

APPLICATIONS

See Fig 7

You may use this product for the purpose listed below:
Mowing your lawn

STARTING/STOPPING THE MOWER

■ Attach the outlet end of an extension cord to the plug on the rear of the mower.

NOTE: Use only an approved outdoor extension cord as described previously in this manual.

■ Make a loop in the extension cord. From the right side, pass the loop through the hole in the back of cord retainer and place it around the hook.

■ Press down the Power switch button and hold it.

■ Pull the Lever switch toward the mower handle and release the Power switch button. Continue to hold the lever switch against the mower handle as you mow.

■ To stop the mower, release the lever switch.

NOTE: A high-pitched noise and sparking may occur as the electric motor decelerates. This is normal.

MOWING TIPS

■ Make sure the lawn is clear of stones, sticks, wires, and other objects that could damage the lawn mower blades or motor. Such objects could be accidentally thrown by the mower in any direction and cause serious personal injury to the operator and others.

■ To reduce the likelihood of disconnecting the lawn mower from the extension cord, be sure to use the cord retainer provided.

■ For a healthy lawn, always cut off one-third or less of the total length of the grass.

■ When cutting heavy grass, reduce walking speed to allow for more effective cutting and a proper discharge of the clippings.

■ Do not cut wet grass. It will stick to the underside of the deck and prevent proper mulching of grass clippings.

■ New or thick grass may require a shallower cut.

■ Clean the underside of the mower deck after each use to remove grass clippings, leaves, dirt, and any other accumulated debris.

MOWING ON A SLOPE

See Fig 8

■ Slopes are a major factor related to slip and fall accidents that can result in severe injury. Mowing on slopes requires extra caution. If you feel uneasy on a slope, do not mow it. For your safety, do not attempt to mow slopes greater than 15 degrees.

■ Mow across the face of slopes, not up and down. Exercise extreme caution when changing direction on slopes.

■ Watch for holes, ruts, rocks, hidden objects, or bumps which can cause you to slip or trip. Tall grass can hide obstacles. Remove all objects such as rocks, tree limbs, etc., which could be tripped over or thrown by the blade.

■ Always be sure of your footing. A slip and fall can cause serious personal injury. If you feel you are losing your balance, release the Lever switch immediately.

■ Do not mow near drop-offs, ditches, or embankments; you could lose your footing or balance.

MAINTENANCE

WARNING!

When servicing, use only identical replacement parts. Use of any other parts may create a hazard or cause product damage.

WARNING!

Always wear safety goggles or safety glasses with side shields during power tool operation or when blowing dust. If operation is dusty, also wear a dust mask.

GENERAL MAINTENANCE

Avoid using solvents when cleaning plastic parts. Most plastics are susceptible to damage from various types of commercial solvents and may be damaged by their use. Use clean cloths to remove dirt, dust, oil, grease, etc. When servicing, use only identical replacement parts. Use of any other parts may create a hazard or cause product damage.

WARNING!

Periodically check all nuts and bolts for proper tightness to ensure safe operation of the mower. Remove any buildup of grass and leaves on or around the motor cover. Wipe the mower clean with a dry cloth occasionally. Do not use water.

LUBRICATION

All of the bearings in this product are lubricated with a sufficient amount of high grade lubricant for the life of the unit under normal operating conditions. Therefore, no further bearing lubrication is required. At the beginning and end of each mowing season:

- Lubricate the springs on the rear discharge door with light oil.
- Lubricate the height adjustment lever and related hardware with light oil.
- Remove the wheels and lubricate the surface of the axle bolt and the inner surface of the wheel with light oil.
- Remove the blade and blade hub assembly and lubricate the motor shaft with light oil or engine oil. See Replacing the Cutting Blade for instructions on removing the blade.

Do not use any attachments or accessories not recommended in this operator's manual. The use of attachments or accessories not recommended can result in serious personal injury.

WARNING!

Always protect hands by wearing heavy gloves and/or wrapping the cutting edges of the blade with rags and other material when performing blade maintenance. Failure to heed this warning could result in serious personal injury.

WARNING!

Before performing any maintenance, make sure the mower is unplugged from the power supply. Failure to heed this warning could result in serious personal injury.

REPLACING THE CUTTING BLADE

See Fig 9

NOTE: Only use identical replacement blades.

- Stop the motor and disconnect the power supply. Allow the blade to come to a complete stop.
- Turn the mower on its side.
- Wedge a block of wood between the blade and the mower deck in order to prevent the blade from turning when the nut is being removed.
- Loosen the blade nut using a 14 mm wrench or socket (not provided).
- Remove the blade nut, and blade.
- Make certain that the fan assembly does not slide off of the motor shaft.
- Place the new blade on the shaft against the fan assembly. Make sure it is installed with the curved ends pointing up toward the mower deck and not down toward the ground.
- Thread the blade nut on the shaft and finger tighten.

NOTE: Make certain all parts are replaced in the exact order in which they were removed.

- Torque the blade nut down to 142-159 in. lbs. using a torque wrench (not provided) to ensure the blade bolt is properly tightened!

SHARPENING THE BLADE

See Fig 10-A

For best mowing performance, the mower blade must be kept sharp. A dull blade does not cut grass evenly and overloads the motor. Under normal circumstances, sharpening the blade twice during the mowing season is usually sufficient. However, if your lawn has sandy soil, more frequent sharpenings may be required.

- Following the instructions in the Replacing the Cutting Blade section, remove the mower blade. DO NOT attempt to sharpen the blade while it is attached to the mower.
- Using a fine-tooth file or sharpening stone, sharpen cutting edges on both ends of the blade, removing equal amounts of material from both ends.

WARNING!

When removing, inspect the blade carefully. If blade is bent or damaged, replace immediately with a new blade. Failure to replace a bent or damaged blade could cause an accident resulting in possible serious injury.

MAINTENANCE

BALANCING THE BLADE

See Fig 10-B

When sharpening, care should be taken to keep the blade balanced. An unbalanced blade will cause excessive vibration when the mower is running. This vibration will eventually cause damage to the mower, especially the motor.

To check the blade balance:

- Clamp a screwdriver (or nail shank) horizontally in a vise as shown.

NOTE: If a vise is not available, a straight nail can also be used.

- Place the center hole of blade on the screwdriver(or nail) shank.
- If blade is balanced, it will remain in a horizontal position. If either end of the blade drops downward, sharpen the heavy side until the blade is balanced.

REPLACING WHEELS

See Fig 11

- Disconnect the mower from the power supply.
- Turn the mower on its side.
- Using a flat blade screwdriver, pry off the hubcap.
- Remove the wheel and replace with new wheel .
- Replace hubcap.

STORING THE MOWER

See Fig 12

- Disconnect the mower from the power supply.
- Turn mower on its side and clean grass clippings that have accumulated on the underside of the mower deck.
- Wipe the mower clean with a dry cloth.
- Check all nuts, bolts, knobs, screws, fasteners, etc., for tightness.
- Inspect moving parts for damage, breakage, and wear. Have repairs made on any damaged or missing parts.
- Store mower indoors in a clean, dry place out of the reach of children.
- Do not store near corrosive materials such as fertilizer or rock salt. To lower the handle before storing:
- Loosen the handle locking knobs on the sides of the upper handle and fold the upper handle down.
- Push inward on each side of the lower handle, and lift the sides of the lower handle past the edges of the handle mounting brackets.
- Fold the lower handle forward, making sure not to bend or kink the power cord.

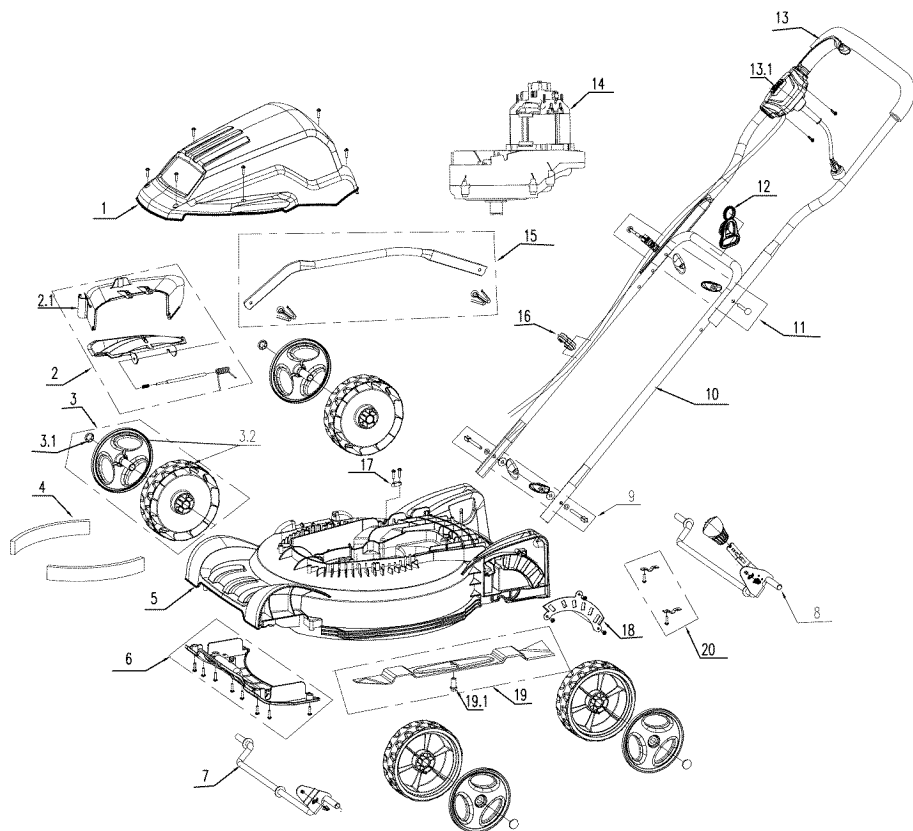
TROUBLESHOOTING

Problem	Possible Cause	Solution
Handle not in position.	Handle locks not tightened.	Tighten handle locking knobs.
	Extension cord not connected to the mower plug. Extension cord not connected to power source. Tripped circuit breaker in the house. Motor control switch defective.	Reconnect the cord and use the cord retainer to keep the cord close to the motor/blade control. Connect the extension cord to a live 120V AC, 60 HZ AC receptacle. Reset house circuit breaker. If it trips again, call a qualified electrician. Have motor control switch replaced by a qualified service dealer using identical replacement part.
Mower cutting grass unevenly..	Lawn is rough or uneven or cutting height not set properly.	Move the wheels to a higher position. All wheels must be placed in the same cutting height for the mower to cut evenly.
Mower not mulching properly.	Wet grass clippings sticking to the underside of the deck.	Wait until the grass dries before mowing.
Mower hard to push.	High grass, rear of mower housing and blade dragging in heavy grass, or cutting height too low.	Raise cutting height.
Mower vibrating at higher speed	Blade is unbalanced or bent motor shaft.	Balance the blade by grinding each cutting edge equally. Stop the motor, disconnect the power source, and inspect for damage. Have repaired made by an qualified service dealer before restarting.

CRAFTSMAN 10A - 19" 2-IN-1 ELECTRIC MOWER – MODEL NUMBER 151.37214

The model number will be found on a label attached to the motor housing.

TO PURCHASE REPLACEMENT PARTS, CALL 1-888-331-4569



CRAFTSMAN 10A - 19" 2-IN-1 ELECTRIC MOWER – MODEL NUMBER 151.37214

The model number will be found on a label attached to the motor housing.

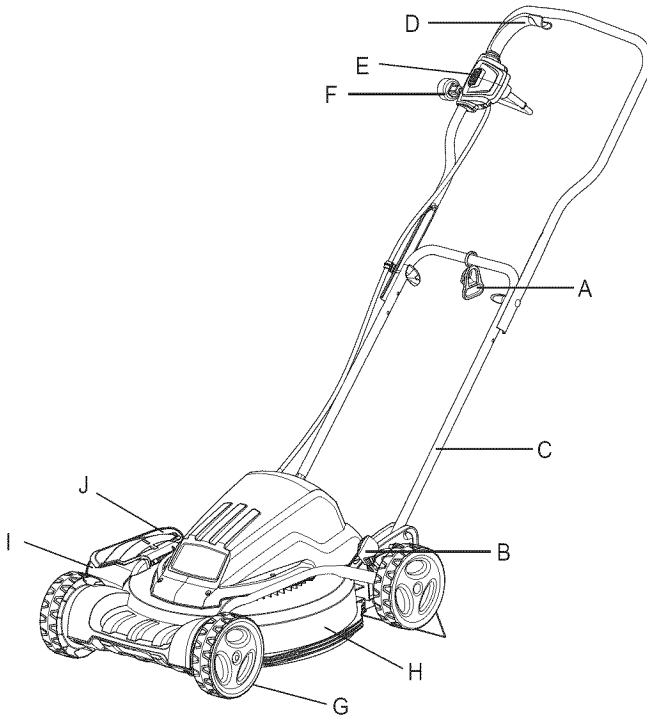
TO PURCHASE REPLACEMENT PARTS, CALL 1-888-331-4569

Key Number	Drawing Number	Description	Quantity
1	GM65BX.00.02.X1.01	Motor Cover Assembly	1
2	GM65BX.00.03.X1.01	Side Discharge Chute Assembly	1
2.1	GM65BX.00.04	Discharge Chute	1
3	TGQTGL.78.00.X1.02	Wheel Assembly	4
3.1	BOC2YX.14.NS	Screws	4
3.2	TGQTGL.78.00	Wheel	4
4	GM65BX.00.13	Debris Filter	2
5	M65BX.00.01.X1.01	Deck	1
6	GM65BX.A0.04	Lower Deck Housing	1
7	GM65BX.10.00	Front Axle	1
8	GM65BX.20.00.X1.02	Rear Axle w/ Height adjust handle	1
9	TGQTXN.06.00.X3.01	Knob Assembly	1
10	GM65BX.00.11	Lower Handle	1
11	TGQTXN.06.00.X4.01	Upper Handle Knob Assembly	1
12	GC10SS.10.14	Cord Retainer	1
13	GM65BX.00.10.X1.02	Upper Handle Assembly	1
13.1	TGDQ15.82.00.01	Switch Assembly	1
14	TM9460.00.00.X1.01	Motor Assembly	1
15	GM65BX.00.14.X1.01	Height Adjustment Connecting Rod	1
16	TOQTGX.13.XJ	Cable Clamp	1
17	TOQTGX.X0.01	Cable Tie Down Assembly	1
18	GM65BX.A0.06	Height Selector Bracket	1
19	GM65BX.00.07.X1.01	Blade Assembly	1
19.1	BOA4FL.10.20	Blade Stud	1
20	GM65BX.A0.03	Mounting Brackets	2

See this section for all of the figures referenced in the operator's manual.

Consulte esta sección para ver todas las figuras a las que se hace referencia en el manual del operador.

Fig. 1



- A - Cord retainer
- B - Cutting Height Adjustment Lever
- C - Foldable push handle
- D - Lever switch
- E - Power button switch
- F - Power cord
- G - Wheel
- H - Mower deck
- I - Side discharge chute.
- J - Mulching door.

Fig. 2

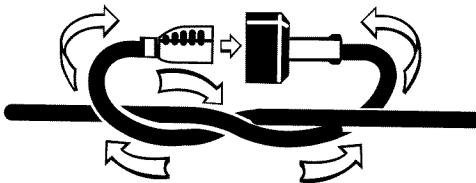


Fig. 3

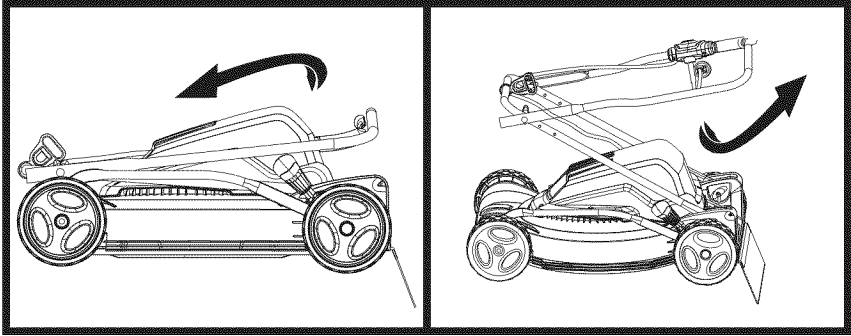


Fig. 4

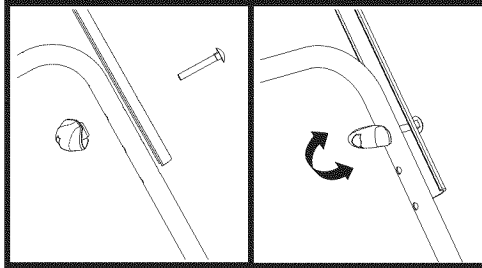


Fig. 5

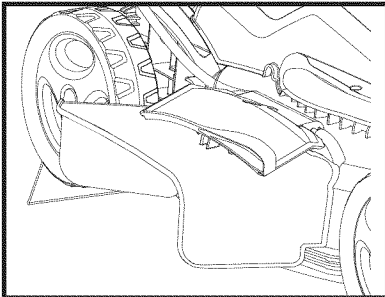


Fig. 6

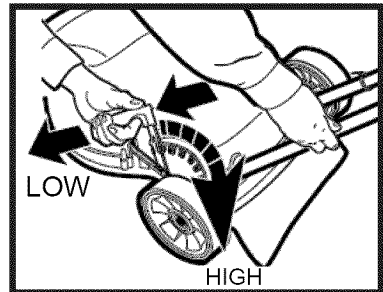


Fig. 7

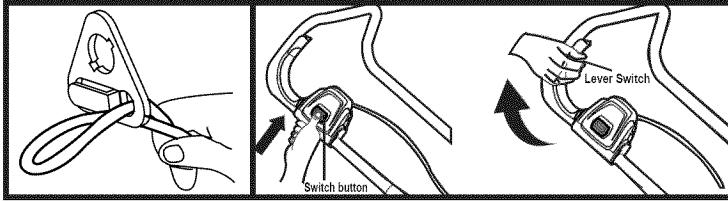


Fig. 8

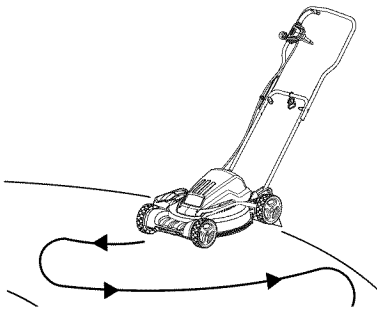


Fig. 9

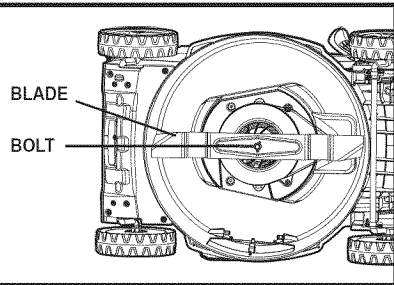
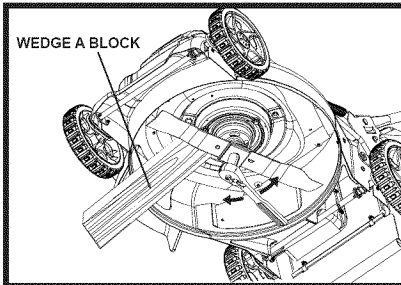
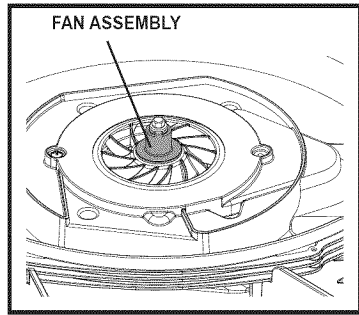


Fig. 10

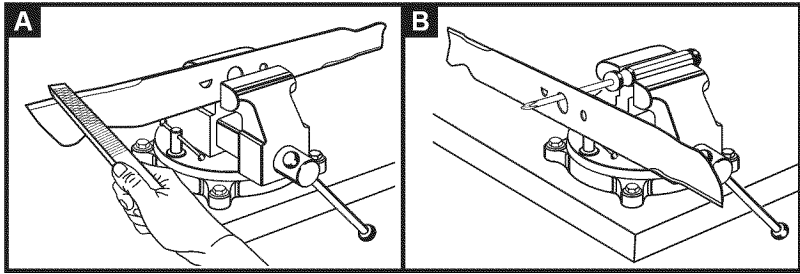


Fig. 11

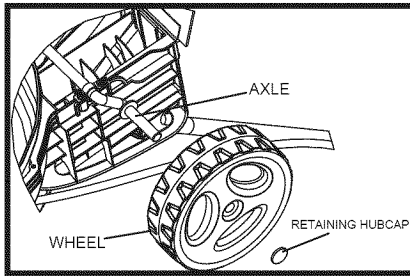
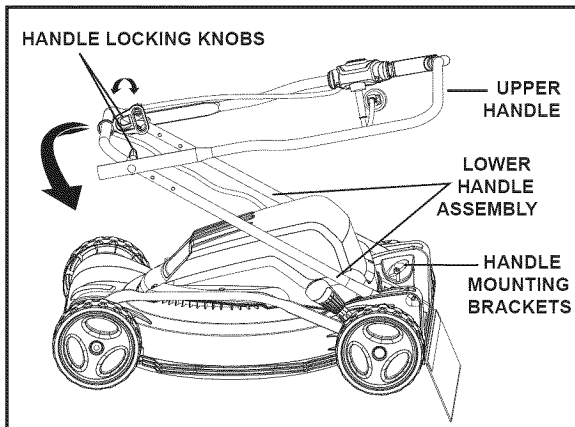


Fig. 12



CRAFTSMAN[®]

Product questions or problems?

1-888-331-4569

Customer Care Hot Line

**Get answers to questions, troubleshoot problems,
order parts, or schedule repair service.**

Para respuestas a preguntas o problemas, y ordenar
piezas o pedir servicio para la reparación de su equipo.

To help us help you, register your product at www.craftsman.com/registration

Para poderte ayudar mejor, registra tu producto en www.craftsman.com/registration

Join the Craftsman Club today!

CRAFTSMAN[®] CLUB

www.craftsman.com/signup

**Receive exclusive member benefits including special pricing and offers,
project sharing, expert advice, and SHOP YOUR WAY REWARDS!**

Como miembro exclusivo, recibe diversos beneficios como ofertas, precios especiales, proyectos nuevos, consejos de expertos y nuestro programa de puntos SHOP YOUR WAY REWARDS!

® Registered Trademark / ™ Trademark of KCD IP, LLC in the United States, or Sears Brands, LLC in other countries

® Marca Registrada / ™ Marca de Fábrica de KCD IP, LLC en Estados Unidos, o Sears Brands, LLC in otros países

Free Manuals Download Website

<http://myh66.com>

<http://usermanuals.us>

<http://www.somanuals.com>

<http://www.4manuals.cc>

<http://www.manual-lib.com>

<http://www.404manual.com>

<http://www.luxmanual.com>

<http://aubethermostatmanual.com>

Golf course search by state

<http://golfingnear.com>

Email search by domain

<http://emailbydomain.com>

Auto manuals search

<http://auto.somanuals.com>

TV manuals search

<http://tv.somanuals.com>