

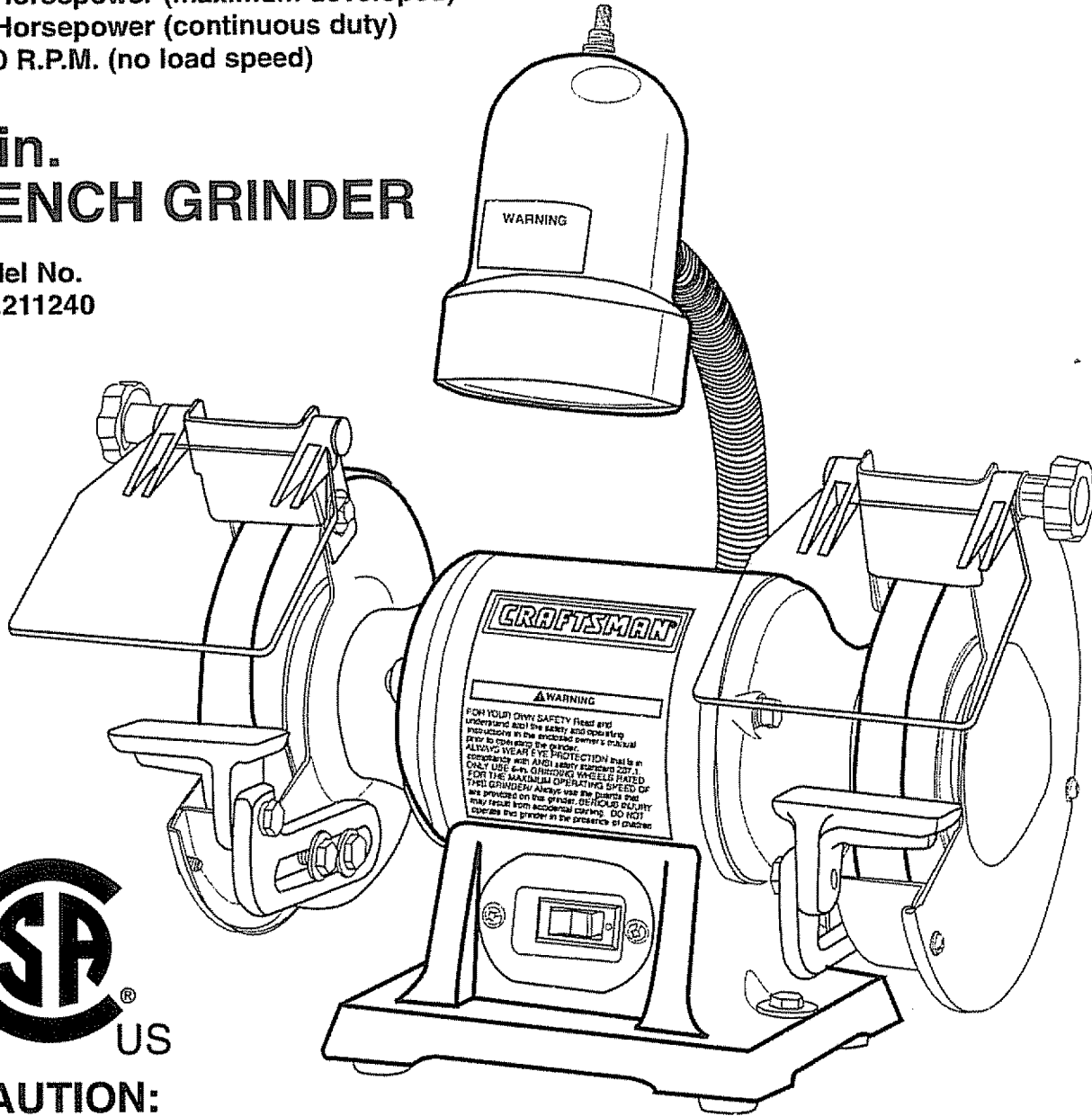
Owner's Manual



6-in Wheel
1/3 Horsepower (maximum developed)
1/6 Horsepower (continuous duty)
3450 R.P.M. (no load speed)

6-in. BENCH GRINDER

Model No.
152.211240



CAUTION:

FOR YOUR OWN SAFETY; Read and follow all of the Safety and Operating Instructions before Operating this Bench Grinder

Customer Helpline
1-800-897-7709
Please have your Model No.
and Serial No. available.

TABLE OF CONTENTS

SECTION	PAGE
Warranty	2
Product Specifications.....	2
Safety Instructions	3
Grounding Instructions.....	4
Specific Safety Instructions for Bench Grinders	5
Accessories and Attachments	6
Carton Contents	6
Know Your Bench Grinder.....	7
Assembly Instructions	8
Operating the Bench Grinder	10
Maintenance	12
Troubleshooting Guide	16
Parts List	13
Español.....	15
Service Information	Back Cover

WARRANTY

FULL ONE YEAR WARRANTY

If this product fails due to a defect in material or workmanship within one year from the date of purchase, RETURN IT TO THE NEAREST SEARS STORE OR CRAFTSMAN OUTLET, and it will be replaced, free of charge.

This warranty gives you specific legal rights, and you may also have other rights, which vary, from state to state.

Sears, Roebuck and Co., Dept. 817 WA, Hoffman Estates, IL 60179

PRODUCT SPECIFICATIONS

Motor

Maximum HP developed	1/3
Continuous Duty HP	1/6
Volts	120
Hertz	60
RPM	3450 R.P.M. (no load speed)
Grinding Wheel Size	6" x 3/4" x 1/2"
Grinding Wheel Grit	60, 36
Lamp	120V, 40 watt or less Track Light Bulb, Type R20, medium base or equivalent (not included)
Tool Rests	Left and Right, Cast Iron
Eye Shield Assemblies	Clear Lexan Left and Right
Spark Arrestors	Left and Right

▲ WARNING

To avoid electrical shock to yourself and damage to the Bench Grinder, use proper circuit protection.

The Bench Grinder is factory wired for 120V, 60 Hz, operation. Connect to a 120V, 15 amp branch circuit and use a 15 amp time delay fuse or circuit breaker. The electrical circuit cannot have any wire size less than #14. To avoid shock or fire, replace power cord immediately if it is damaged in any way.

SAFETY INSTRUCTIONS

GENERAL SAFETY INSTRUCTIONS

Operating a Bench Grinder can be dangerous if safety and common sense are ignored. The operator must be familiar with the operation of the tool. Read this manual to understand this Bench Grinder. **DO NOT** operate this Bench Grinder if you do not fully understand the limitations of this tool. **DO NOT** modify this Bench Grinder in any way.

BEFORE USING THE BENCH GRINDER

▲ WARNING

To avoid serious injury and damage to the tool, read and follow all of the Safety and Operating Instructions before operating the Bench Grinder.

▲ WARNING

1. Some dust created by using power tools contains chemicals known to the State of California to cause cancer, birth defects, or other reproductive harm. Some examples of these chemicals are:
 - Lead from lead-based paints.
 - Crystalline silica from bricks, cement, and other masonry products.
 - Arsenic and chromium from chemically treated lumber.Your risk from these exposures varies, depending on how often you do this type of work. To reduce your exposure to these chemicals: work in a well-ventilated area, and work with approved safety equipment, such as those dust masks that are specially designed to filter out microscopic particles.
2. **READ** the entire Owner's Manual. **LEARN** how to use the tool for its intended applications.
3. **GROUND ALL TOOLS.** If the tool is supplied with a 3-prong plug, it must be plugged into a 3-contact electrical receptacle. The 3rd prong is used to ground the tool and provide protection against accidental electric shock. **DO NOT** remove the 3rd prong. See Grounding Instructions on page 4.
4. **AVOID A DANGEROUS WORKING ENVIRONMENT.** **DO NOT** use electrical tools in a damp environment or expose them to rain.
5. **DO NOT** use electrical tools in the presence of flammable liquids or gases.
6. **ALWAYS** keep the work area clean, well lit, and organized. **DO NOT** work in an environment with floor surfaces that are slippery from debris, grease, and wax.
7. **KEEP VISITORS AND CHILDREN AWAY. DO NOT** permit people to be in the immediate work area, especially when the electrical tool is operating.

8. **DO NOT FORCE THE TOOL** to perform an operation for which it was not designed. It will do a safer and higher quality job by only performing operations for which the tool was intended.
9. **WEAR PROPER CLOTHING. DO NOT** wear loose clothing, gloves, neckties, or jewelry. These items can get caught in the machine during operations and pull the operator into the moving parts. The user must wear a protective cover on their hair, if the hair is long, to prevent it from contacting any moving parts.



10. **ALWAYS WEAR EYE PROTECTION.** Any power tool can throw debris into the eyes during operations, which could cause severe and permanent eye damage. **ALWAYS** wear Safety Goggles (that comply with ANSI standard Z87.1) when operating power tools. Safety Goggles are available at Sears Retail Stores.
11. **WEAR A DUST MASK TO PREVENT INHALING DANGEROUS DUST OR PARTICLES.**
12. **ALWAYS UNPLUG THE TOOL FROM THE ELECTRICAL RECEPTACLE** when making adjustments, changing parts or performing any maintenance.
13. **KEEP PROTECTIVE GUARDS IN PLACE AND IN WORKING ORDER.**
14. **AVOID ACCIDENTAL STARTING.** Make sure that the power switch is in the "OFF" position before plugging in the power cord to the electrical receptacle.
15. **REMOVE ALL MAINTENANCE TOOLS** from the immediate area prior to turning "ON" the Bench Grinder.
16. **USE ONLY RECOMMENDED ACCESSORIES.** Use of incorrect or improper accessories could cause serious injury to the operator and cause damage to the tool. If in doubt, check the instruction manual that comes with that particular accessory.
17. **NEVER LEAVE A RUNNING TOOL UNATTENDED.** Turn the power switch to the "OFF" position. **DO NOT** leave the tool until it has come to a complete stop.
18. **DO NOT STAND ON A TOOL.** Serious injury could result if the tool tips over or you accidentally contact the tool.
19. **DO NOT** store anything above or near the tool where anyone might try to stand on the tool to reach it.

20. **MAINTAIN YOUR BALANCE. DO NOT** extend yourself over the tool. Wear oil resistant rubber-soled shoes. Keep floor clear of debris, grease, and wax.
21. **MAINTAIN TOOLS WITH CARE.** Always keep tools clean and in good working order. Keep all blades and tool bits sharp.
22. **EACH AND EVERY TIME, CHECK FOR DAMAGED PARTS PRIOR TO USING THE TOOL.** Carefully check all guards to see that they operate properly, are not damaged, and perform their intended functions. Check for alignment, binding or breaking of moving parts. A guard or other part that is damaged should be immediately repaired or replaced.
23. **CHILDPROOF THE WORKSHOP AREA** by removing switch keys, unplugging tools from the electrical receptacles, and using padlocks.
24. **DO NOT OPERATE TOOL IF UNDER THE INFLUENCE OF DRUGS OR ALCOHOL.**
25. **SECURE ALL WORK.** Use clamps or jigs to secure the workpiece. This is safer than attempting to hold the workpiece with your hands.
26. **USE A PROPER EXTENSION CORD IN GOOD CONDITION.** When using an extension cord, be sure to use one heavy enough to carry the current your product will draw. The table at right shows the correct size to use depending on cord length and nameplate amperage rating. If in doubt, use the

next heavier gauge. The smaller the gauge number, the larger diameter of the extension cord. If in doubt of the proper size of an extension cord, use a shorter and thicker cord. An undersized cord will cause and overheating. **USE ONLY A 3-WIRE EXTENSION CORD THAT HAS A 3-PRONG GROUNDING PLUG AND A 3-POLE RECEPTACLE THAT ACCEPTS THE TOOL'S PLUG.**

GUIDELINES FOR EXTENSION CORDS

If you are using an extension cord outdoors, be sure it is marked with the suffix "W-A" ("W" in Canada) to indicate that it is acceptable for outdoor use.

Be sure your extension cord is properly sized, and in good electrical condition. Always replace a damaged extension cord or have it repaired by a qualified person before using it.

Protect your extension cords from sharp objects, excessive heat, and damp or wet areas.

MINIMUM RECOMMENDED GAUGE FOR EXTENSION CORDS (AWG)				
120 VOLT OPERATION ONLY				
	25' LONG	50' LONG	100' LONG	150' LONG
0 to 6 Amps	18 AWG	16 AWG	16 AWG	14 AWG
6 to 10 Amps	18 AWG	16 AWG	14 AWG	12 AWG
10 to 12 Amps	16 AWG	16 AWG	14 AWG	12 AWG

GROUNDING INSTRUCTIONS

IN THE EVENT OF A MALFUNCTION OR BREAK-DOWN, grounding provides the path of least resistance for electric current and reduces the risk of electric shock. This tool is equipped with an electric cord that has an equipment grounding conductor and a grounding plug. The plug **MUST** be plugged into a matching electrical receptacle that is properly installed and grounded in accordance with **ALL** local codes and ordinances.

DO NOT MODIFY THE PLUG PROVIDED. If it will not fit the electrical receptacle, have the proper electrical receptacle installed by a qualified electrician.

IMPROPER ELECTRICAL CONNECTION of the equipment grounding conductor can result in risk of electric shock. The conductor with the green insulation (with or without yellow stripes) is the equipment grounding conductor. **DO NOT** connect the equipment grounding conductor to a live terminal if repair or replacement of the electric cord or plug is necessary.

CHECK with a qualified electrician or service personnel if you do not completely understand the grounding

instructions, or if you are not sure the tool is properly grounded.

USE ONLY A 3-WIRE EXTENSION CORD THAT HAS A 3-PRONG GROUNDING PLUG AND A 3-POLE RECEPTACLE THAT ACCEPTS THE TOOL'S PLUG.

REPLACE A DAMAGED OR WORN CORD IMMEDIATELY.

Fig. A

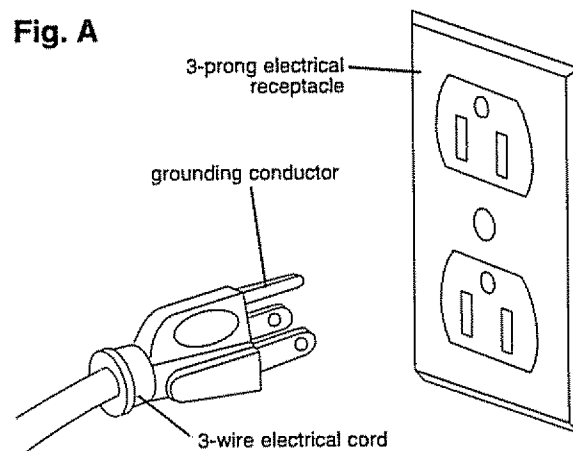
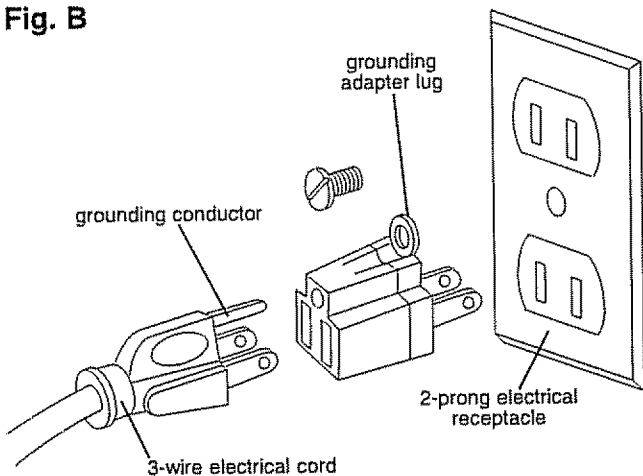


Fig. B



This tool is intended for use on a circuit that has an electrical receptacle as shown in **FIGURE A**. **FIGURE A** shows a 3-wire electrical plug and electrical receptacle that has a grounding conductor. If a properly grounded electrical receptacle is not available, an adapter as shown in **FIGURE B** can be used to temporarily connect this plug to a 2-contact ungrounded receptacle. The adapter has a rigid lug extending from it that **MUST** be connected to a permanent earth ground, such as a properly grounded receptacle box. **THIS ADAPTER IS PROHIBITED IN CANADA.**

CAUTION: In all cases, make certain the electrical receptacle in question is properly grounded. If you are not sure have a certified electrician check the electrical receptacle.

▲ WARNING

This Bench Grinder is for indoor use only. To avoid serious injury, do not expose to rain or use in damp locations.

SPECIFIC SAFETY INSTRUCTIONS FOR BENCH GRINDERS

The operation of any grinder can result in debris being thrown into your eyes, which can result in severe eye damage. **ALWAYS** wear Safety Goggles (that comply with ANSI standard Z87.1) when operating the grinder. Safety Goggles are available at Sears Retail Stores. Keep your thumbs and fingers away from the grinding wheels.



1. **ALWAYS USE THE EYE SHIELDS AND WHEEL GUARDS** provided with the grinder.
2. **REPLACE A CRACKED OR DAMAGED GRINDING WHEEL IMMEDIATELY.** A damaged wheel can discharge debris at a high velocity towards the operator. Carefully handle the grinding wheels since

they are abrasive. Prior to replacing a grinding wheel, check it for cracks. **DO NOT** remove the blotter or label on both sides of the grinding wheel. Tighten the spindle nut just enough to hold the grinding wheel firmly to the Bench Grinder. Do not over-tighten the nut. Excessive clamping force can damage the grinding wheel. Only use the wheel flanges provided with the grinder. When selecting a replacement grinding wheel, verify that the grinding wheel has a higher R.P.M. rating than the maximum R.P.M. of the Bench Grinder.

3. **THE DIAMETER OF THE GRINDING WHEELS WILL DECREASE WITH USE.** Adjust the tool rests and spark arrestors to maintain a distance of 1/16" from the wheel.
4. **DO NOT STAND IN FRONT OF THE BENCH GRINDER WHEN STARTING IT.** Stand to one side of the Bench Grinder and turn it "ON". Wait at the side for one minute until the grinder comes up to full speed. There is always a possibility that debris from a damaged grinding wheel may be discharged towards the operator.
5. **THE BENCH GRINDER WILL PRODUCE SPARKS AND DEBRIS DURING GRINDING OPERATIONS.** Be sure that there are not any flammable materials in the vicinity. Frequently clean grinding dust from the back of the Bench Grinder.
6. **NEVER FORCE THE WORKPIECE AGAINST A GRINDING WHEEL,** especially if the wheel is cold. Apply the workpiece slowly, allowing the grinding wheel an opportunity to warm up. This will minimize the chance of wheel breakage. **DO NOT** grind using the sides of the grinding wheels. **DO NOT** apply coolant directly to the grinding wheel.
7. **KEEP ALL WHEEL GUARDS IN PLACE. DO NOT USE THE BENCH GRINDER WITH THE WHEEL GUARDS REMOVED.**
8. **KEEP THE TOOL RESTS FIRMLY TIGHTENED.**
9. **REMOVE ADJUSTING KEYS AND WRENCHES.** Form habit of checking to see that keys and adjusting wrenches are removed from tool before turning it on.
10. **DIRECTION OF FEED.** Feed work into a blade or cutter against the direction of rotation of the blade or cutter only.
11. **USE RIGHT TOOL.** Don't force tool or attachment to do a job for which it was not designed.
12. **DO NOT** overtighten wheel nut.
13. **ONLY** use flanges furnished with the grinder.
14. **FREQUENTLY** clean grinding dust from beneath grinder.

SAVE THESE INSTRUCTIONS.

ACCESSORIES AND ATTACHMENTS

AVAILABLE ACCESSORIES

Visit your Sears Hardware Department or see the Sears Power and Hand Tool Catalog for the following accessories.

<u>ITEM</u>	<u>STOCK NUMBER</u>
Replacement grinding wheels	See catalog or store
Wire and Buffing wheels	See catalog or store
Spacers	See catalog or store
Universal stand	See catalog or store

Sears may recommend other accessories not listed in this manual.

See your nearest Sears Hardware Department or Sears Power and Hand Tool Catalog for other accessories.

Do not use any accessory unless you have completely read the Owner's Manual for that accessory.

⚠ WARNING

Use only accessories recommended for this Bench Grinder. Using other accessories may cause serious injury and cause damage to the Bench Grinder.

CARTON CONTENTS

UNPACKING AND CHECKING CONTENTS (Fig. C)

This Bench Grinder will require a minimal amount of assembly. A 12mm x 10mm open end wrench is provided for mounting the Tool Rest Assemblies and the Spark Arrestor Assemblies.

Remove all of the parts from the shipping box and lay them on a clean work surface. Compare the items to (Fig. C), verify that all items are accounted for before discarding the shipping box.

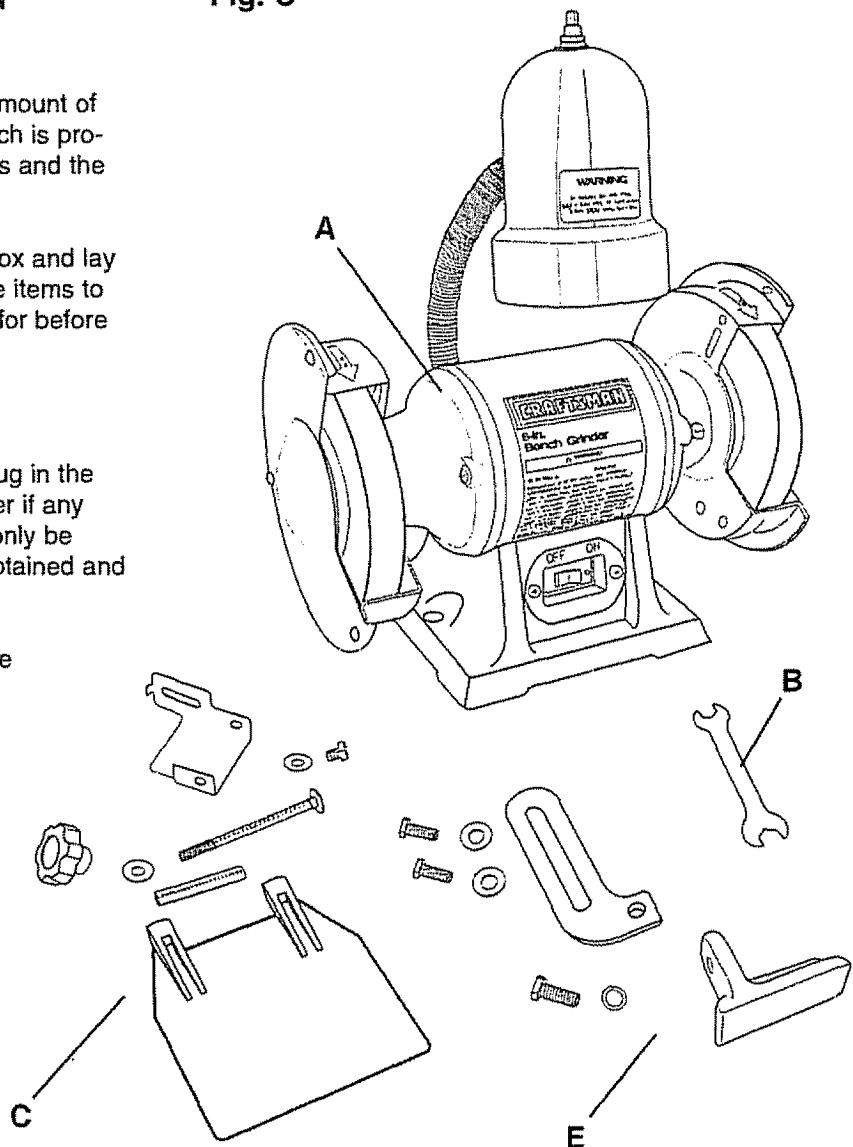
⚠ WARNING

To avoid serious injury, do not attempt to plug in the power cord and turn "ON" the Bench Grinder if any parts are missing. The Bench Grinder can only be turned "ON" after all the parts have been obtained and installed correctly.

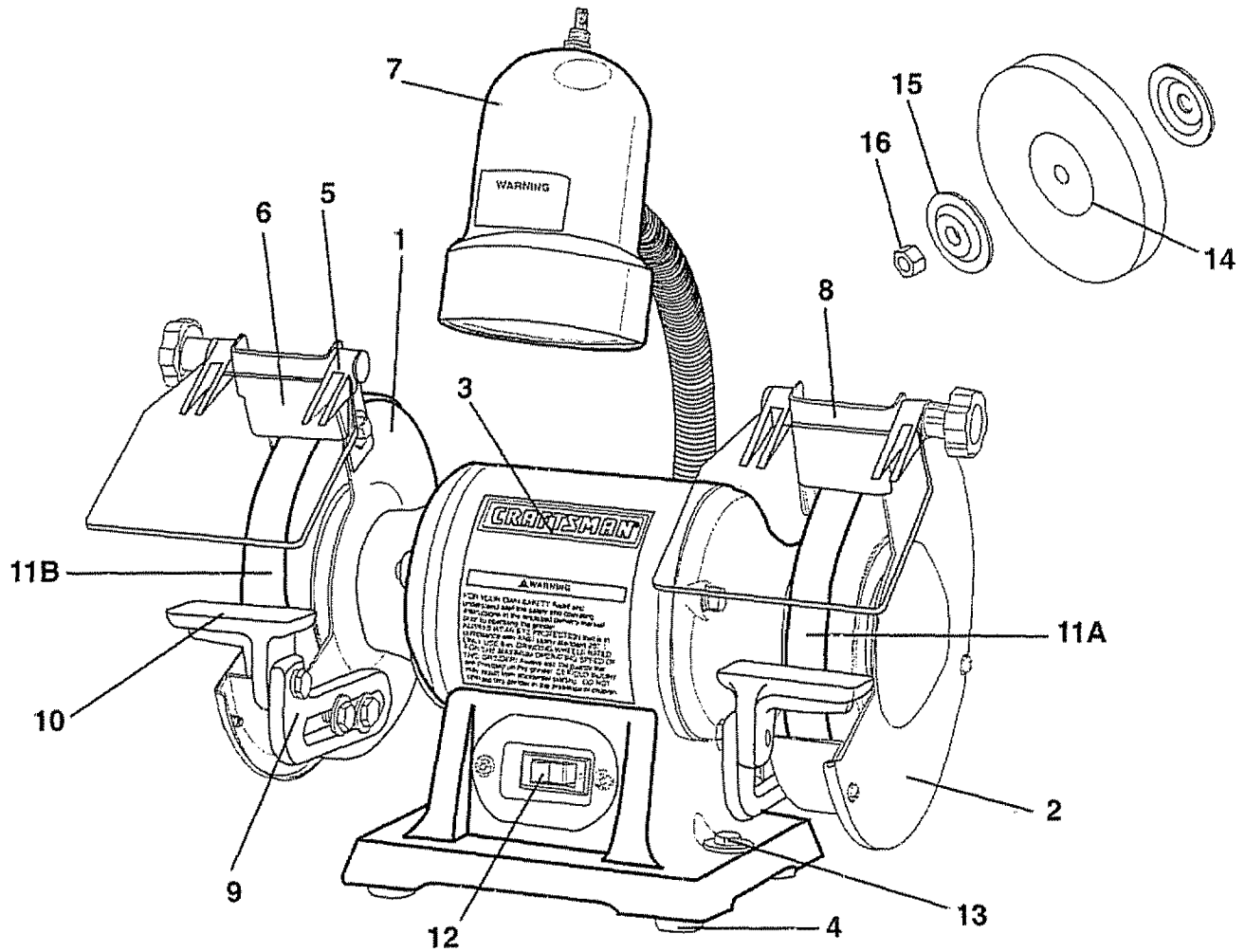
The following items are to be provided in the shipping box:

- A. Grinder
- B. Hex Wrench 12mm x 10mm open end
- C. Left Eyeshield assembly
- D. Right Eyeshield assembly (not shown)
- E. Tool Rest assemblies (2)

Fig. C



KNOW YOUR BENCH GRINDER



1. **WHEEL GUARD** - Covers the grinding wheels and protects against accidental contact.
2. **WHEEL COVER** - Covers the grinding wheels and provides access for routine maintenance.
3. **MOTOR HOUSING** - Contains the electrical motor.
4. **MOUNTING FEET** - Helps to minimize vibration of the grinder.
5. **EYE SHIELD MOUNTS** - Supports the eyeshields.
6. **EYE SHIELDS** - Protective Lexan see-thru shields to prevent any loose debris from contacting the operator.
7. **FLEXIBLE WORK LIGHT** - Provides assistance to the operator for grinding operations.
8. **SPARK ARRESTORS** - Prevents hot sparks and debris from contacting the operator.
9. **TOOL REST ADJUSTABLE SUPPORTS** - Lets the operator position the tool rest closer to the wheel as the wheel decreases in diameter due to wear.
10. **TOOL RESTS** - Used to support the workpiece that is being ground. Adjustable to provide angled surfaces.
11. **A) 8" GRINDING WHEEL 60 GRIT** - Used to remove light material from workpiece.
11. **B) 8" GRINDING WHEEL 36 GRIT** - Used to remove heavy material from workpiece.
12. **ON / OFF SWITCH** - Used to turn "ON" and turn "OFF" the grinder.
13. **MOUNTING PAD** - Used to secure the grinder to a workbench or suitable work surface.
14. **GRINDING WHEEL IDENTIFICATION LABEL** - Provides information on wheel size, grit and maximum rpm.
15. **FLANGES** - Used to secure the grinding wheels to the grinder and distribute the load of the Lock Nuts.
16. **LOCK NUT** - Used to secure the grinding wheels to the grinder.

ASSEMBLY INSTRUCTIONS

A 12mm x 10mm open end wrench is provided for mounting the Tool Rest Assemblies and the Spark Arrestor Assemblies.

⚠ WARNING

1. **DO NOT** assemble the Bench Grinder until you are sure the tool **IS NOT** plugged in.
2. **DO NOT** assemble the Bench Grinder until you are sure the power switch is in the "OFF" position.
3. **DO NOT** assemble the Bench Grinder until you are sure the grinding wheels are firmly tightened to the Bench Grinder.

TOOL RESTS (Figs. D and E)

The Bench Grinder is provided with two Tool Rest assemblies.

1. Remove Tool Rest Assemblies from the plastic bags and check to see that you have the following:
Tool Rest (2)
Tool Rest Support (2)
5/16-18 x 3/4" Hex head screw (2)
5/16" Lock Washer (2)
5/16" Flat Washer (4)
5/16-18 x 1/2" Hex head screw (4)
2. Assemble the Tool Rest Supports (A) to the inside surface of the Wheel Covers (B) with the flat washers (C) and 1/2" long hex head screws (D) as shown. See Figure D.
3. Assemble the Tool Rests (E) to the Supports (F) with the lock washers (G) and 3/4" long Hex head screw (H) as shown. See Figure E.
4. Adjust each Tool Rest until its inside edge (I) is 1/16" from the grinding wheel. Firmly tighten the hex head screws holding the supports and tool rests. See Figures D and E.

Fig. D

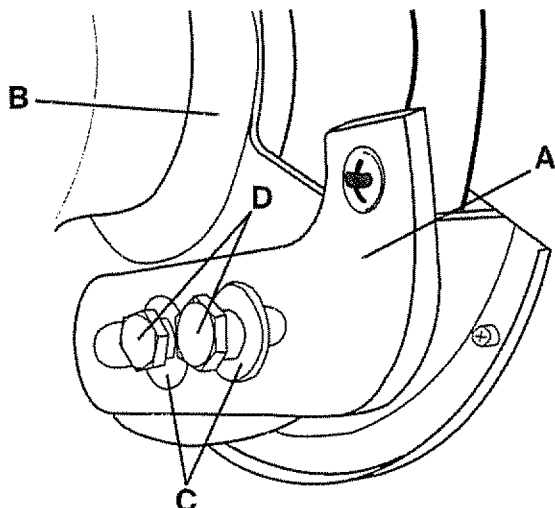
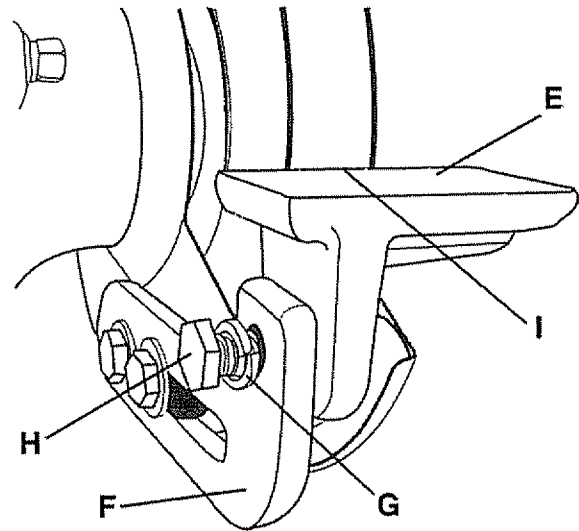


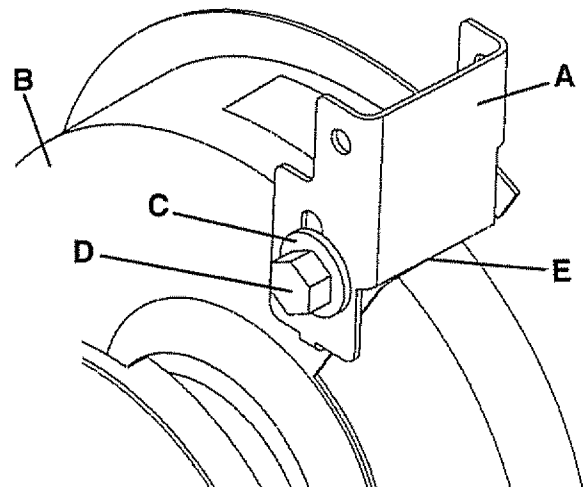
Fig. E



SPARK ARRESTORS (Fig F)

1. Remove both Spark Arrestor Assemblies from the plastic bags and check to see that you have the following:
Left Side Spark Arrestor
Right Side Spark Arrestor
1/4" Flat Washer (2)
1/4-20 x 1/4" Hex head screw (2)
2. Assemble the Spark Arrestors (A) to the inside surface of the Wheel Covers (B) with the flat washers (C) and hex head screws (D) as shown. See Figure F.
3. Adjust each Spark Arrestor until the lower edge (E) is 1/16" from the grinding wheel. Firmly tighten the hex head screws. See Figure F.

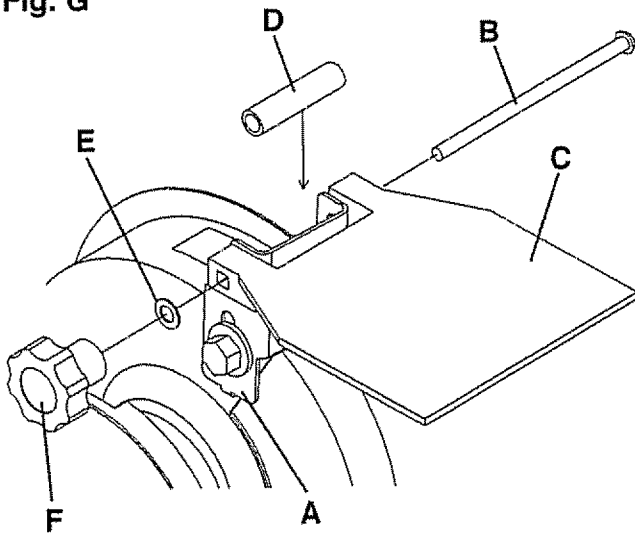
Fig. F



EYE SHIELDS (Fig. G)

1. Remove both Eye Shield Assemblies from the plastic bags and check to see that you have the following:
 - Eyeshield (2)
 - Lock Knob (2)
 - Spacer (2)
 - M6 Flat washer (2)
 - M6 x 80mm carriage head screw (2)
2. Assemble the eyeshield (C) to the Spark Arrestor (A) inserting carriage head screw (B) through Eyeshield, the Spark Arrestor, and the Spacer (D) as shown. See Figure G.
3. Assemble the flat washer (E) and Lock Knob (F) to the carriage head screw and tighten until the Eyeshield remains in the desired position. See Figure G.

Fig. G



WORK LIGHT (Fig. J)

The Bench Grinder is provided with a Flexible Work Light to assist in visibility of the workpiece.

The Bench Grinder is **NOT** provided with a light bulb for the Flexible Work Light.

▲ WARNING

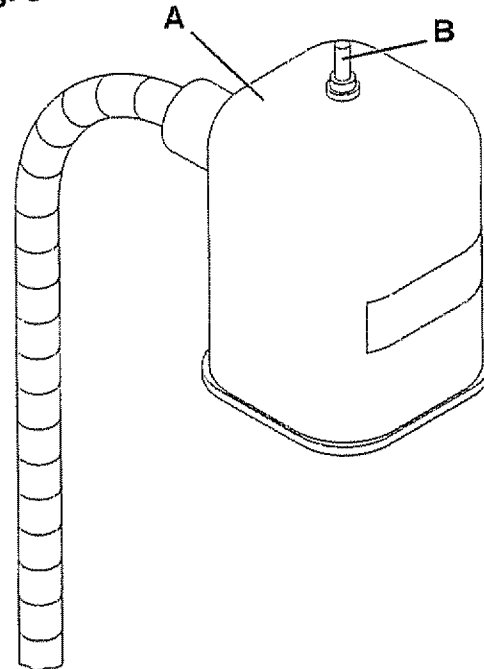
To reduce the risk of fire, use a 120 volt, 40 Watt or less Track Light Bulb, Type R20, medium base or equivalent (not included). **DO NOT** use a light bulb that extends past the end of the light housing.

The Flexible Work Light may be turned "ON" or "OFF" by using the rotary switch (B) on the top surface of the housing (A). The switch can be rotated in the clockwise direction only. See Figure J.

NOTE: The Flexible Work Light can be turned "ON" or "OFF" even if the Bench Grinder is turned "OFF".

CAUTION: The Flexible Work Light housing will remain hot for a few minutes after turning it "OFF". Avoid contact with housing until it is cool.

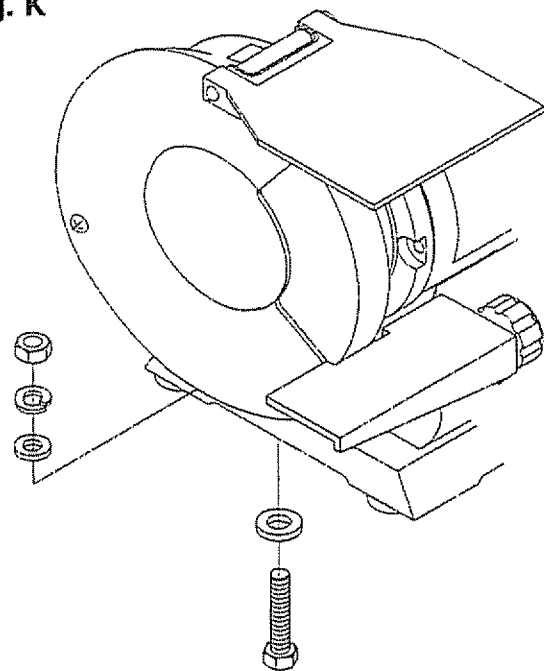
Fig. J



PERMANENT MOUNTING (Fig. K)

You should firmly attach the Bench Grinder to a solid work surface, hardware not included.

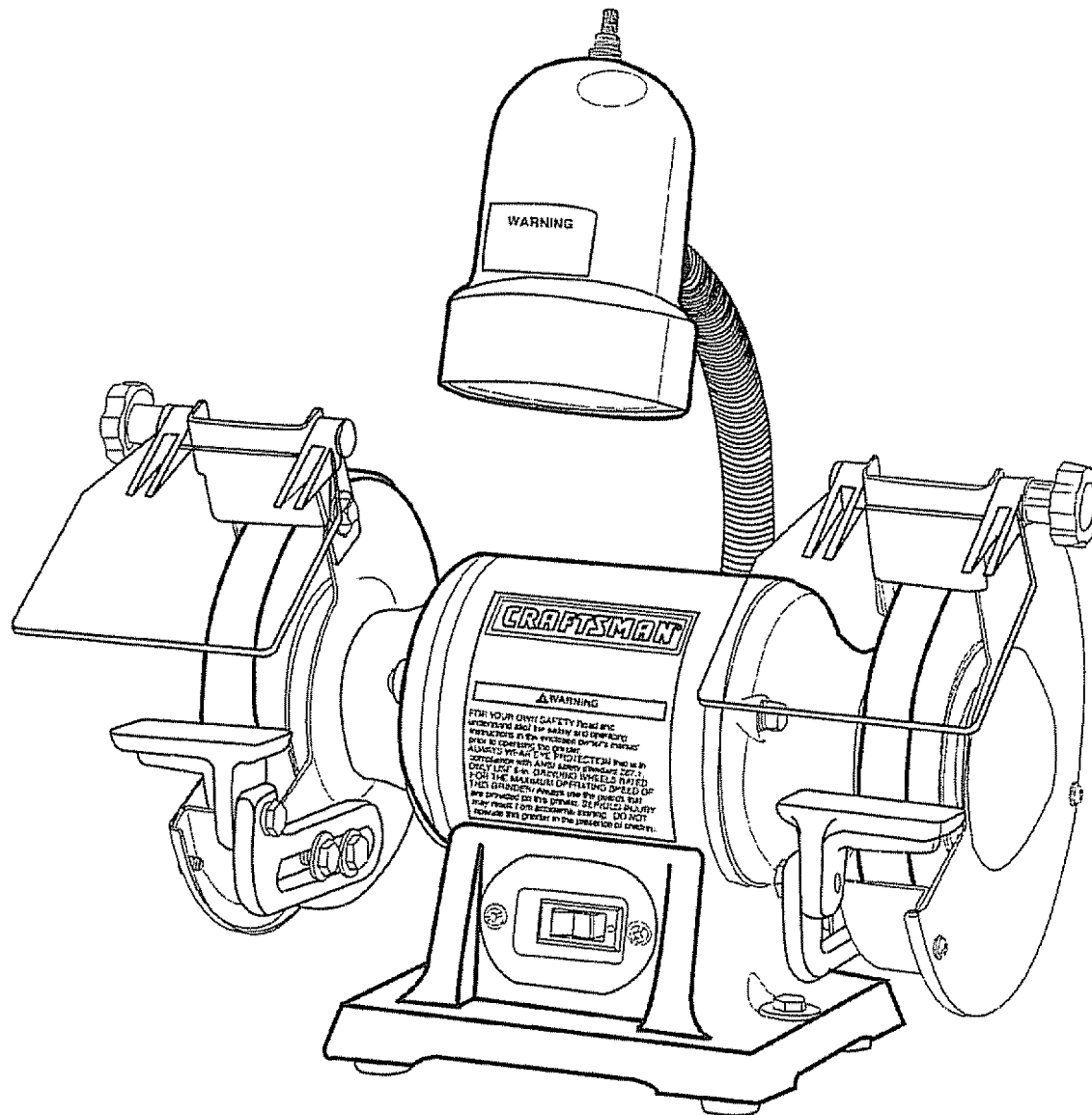
Fig. K



▲ WARNING

If the Bench Grinder is not securely mounted, it will have the ability to move or tip over during grinding operations and possibly cause the operator's fingers to contact the grinding wheels.

OPERATING THE BENCH GRINDER



The Bench Grinder is designed for hand held grinding, sharpening, and cleaning operations.

ALWAYS WEAR EYE PROTECTION! Hot sparks are produced during grinding operations.

1. The Power Switch must be in the "OFF" position.
2. Stand to the side of the Bench Grinder and plug in the power cord to a suitable power source.
3. Remain to the side of the Bench Grinder and turn it "ON" by moving the power switch to the up position.
4. Allow the grinding wheels to come up to a steady speed for at least one minute.
5. The Flexible Work Light may be turned "ON" if desired.
6. Adjust the eyeshields. Place the workpiece on the appropriate tool rest for the desired operation.
7. Move the workpiece towards the grinding wheel until it lightly touches. Move the workpiece back and forth across the front surface of the grinding wheel removing the amount of material desired.

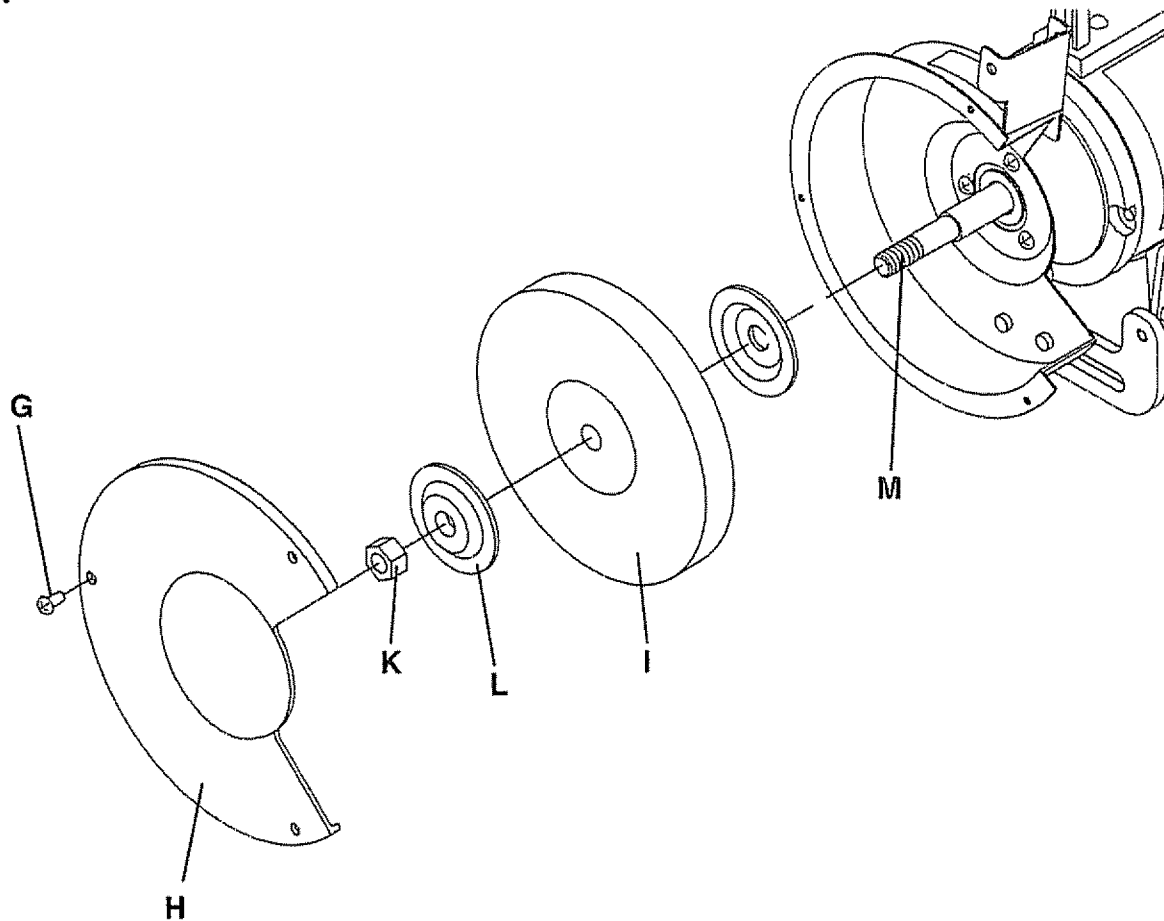
▲ WARNING

To avoid serious injury, never grind on the sides of the grinding wheels.

8. After completing the grinding operations, turn "OFF" the Bench Grinder by pushing down on the Power Switch. **CAUTION:** It will take a few minutes for the grinding wheels to come to a complete stop.
9. Turn "OFF" the Flexible Work Light. **CAUTION:** The Flexible Work Light housing will remain hot for a few minutes after turning it "OFF".
10. Avoid contact with housing until it is cool. Unplug the Bench Grinder from the power source.

CHANGING THE GRINDING WHEEL (Fig. N)

Fig. N



Due to normal wear, both wheels will need to be replaced occasionally. See Figure N.

1. Turn the power switch "OFF" and unplug the power cord from its power source
2. Rotate the eyeshields to the "UP" position for access to the tool rests.
3. Remove the screws (G) holding the Wheel Covers (H) to the Bench Grinder.
4. Remove the Wheel Covers.
5. Place a small wooden wedge between the Abrasive wheel and Tool Rest to prevent the wheels from rotating.
6. Remove the right side grinding wheel by turning the locknut in the counterclockwise direction with a wrench (not included). The left side wheel can be removed by turning the locknut (K) in the clockwise direction.
7. Remove the Outer Wheel Flange (L) and then remove the abrasive wheel (I) from the arbor shaft (M).
8. **CAUTION:** The new abrasive wheel to be put onto the Bench Grinder must have a higher R.P.M. rating than the Bench Grinder. The abrasive wheel must have a 6" diameter with a 1/2" bore diameter for the arbor shaft. The label on the side of the abrasive wheels must stay on, DO NOT remove this label.
9. Replace the abrasive wheel, outer wheel flange, and the locknut in reverse order from removal.

CAUTION: DO NOT OVER-TIGHTEN the lock nut as this may damage the abrasive wheel and cause serious injury to the operator.

MAINTENANCE OF THE BENCH GRINDER

⚠ WARNING

Turn the power switch "OFF" and unplug the power cord from its power source prior to any maintenance.

LUBRICATION

The Bench Grinder has sealed lubricated bearings in the motor housing that do not require any additional lubrication from the operator.

CLEANING

With the Bench Grinder unplugged, rotate the abrasive wheels slowly and inspect for any damage or trapped shavings.

CAUTION: REPLACE the abrasive wheels if there is any damage at all. **FAILURE** to replace a damaged wheel can cause serious injury to the operator.

CAUTION: DO NOT USE FLAMMABLE MATERIALS to clean the Bench Grinder. A clean dry rag or brush is all that is needed to remove dust and debris buildup.

⚠ WARNING

Repairs to the Bench Grinder should be performed by trained personnel only. Contact your nearest Sears Canada Inc. outlet for authorized service. Unauthorized repairs or replacement with non-factory parts could cause serious injury to the operator and damage to the Bench Grinder.

TROUBLESHOOTING

TO PREVENT INJURY TO YOURSELF or damage to the Bench Grinder, turn the switch to the "OFF" position and unplug the power cord from the electrical receptacle before making any adjustments.

PROBLEM	LIKELY CAUSE(S)	SOLUTION
Motor does not run	<ol style="list-style-type: none"> 1. Machine not plugged in 2. Power switch in "OFF" position 3. Power cord is faulty 4. Fuse or circuit breaker are open 5. Damaged motor 	<ol style="list-style-type: none"> 1. Plug power cord into electrical receptacle 2. Lift switch to "ON" position 3. Return to Sears Service Center 4. Overloaded electrical circuit 5. Return to Sears Service Center
Motor does not have full power	<ol style="list-style-type: none"> 1. Incorrect line voltage 2. Damaged motor 	<ol style="list-style-type: none"> 1. Have a qualified electrician check line for proper voltage 2. Return to Sears Service Center
Motor runs hot	<ol style="list-style-type: none"> 1. Motor is overloaded 2. Poor air circulation around motor 	<ol style="list-style-type: none"> 1. Reduce pressure on workpiece 2. Remove any blockage around motor
Motor stalls or runs slow	<ol style="list-style-type: none"> 1. Motor is overloaded 2. Incorrect line voltage 3. Capacitor has failed 	<ol style="list-style-type: none"> 1. Reduce pressure on workpiece 2. Have a qualified electrician check line for proper voltage 3. Return to Sears Service Center
Fuse blows or circuit breaker trips	<ol style="list-style-type: none"> 1. Motor overloaded 2. Overloaded electrical circuit 3. Wrong fuse or circuit breaker 4. Undersized or excessive length of extension cord, see manual 5. Grinding wheels are blocked 	<ol style="list-style-type: none"> 1. Reduce pressure on workpiece 2. Reduce the amount of items on circuit 3. Replace with correct fuse or circuit breaker 4. Use correct size 5. Unplug machine and remove obstruction

PARTS

6-IN. BENCH GRINDER PARTS LIST

MODEL NO. 152.211240

▲ WARNING

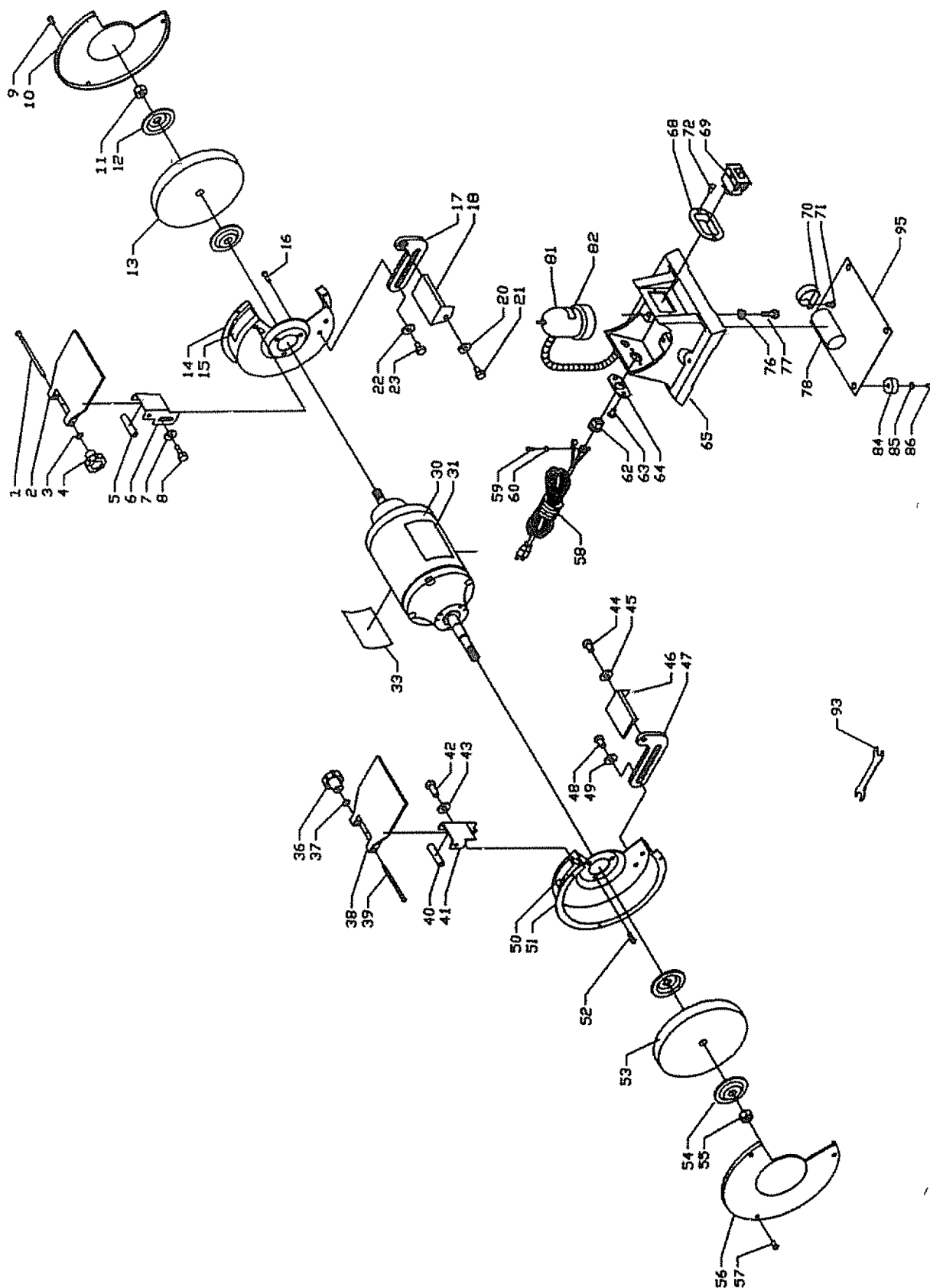
When servicing, use only CRAFTSMAN replacement parts. Use of any other parts may create a **HAZARD** or cause product damage.

▲ WARNING

Any attempt to repair or replace electrical parts on this Dust Collector may create a **HAZARD** unless repair is done by a qualified service technician. Repair service is available at your nearest Sears Service Center.

Always order by PART NUMBER, not by key number.

Key No.	PART No.	Description	Qty.	Key No.	PART No.	Description	Qty.
	OR91510	Owner's Manual (Not Illustrated)	1	46	OR91512	TOOL REST (COLOR: BLACK)	1
1	OR90055	CARRIAGE HD SCR M6 x 80mm	1	47	OR91523	TOOL REST SUPPORT (COLOR: BLACK)	1
2	OR90152	EYESHIELD	1	48	STD523105	HEX HD SCR 5/16-18 x 1/2"	2
3	STD851006	FLAT WASHER M6	1	49	STD551031	FLAT WASHER 5/16"	2
4	OR90001	KNOB M6	1	50	OR90007	ROTATION LABEL	1
5	OR90002	SPACER	1	51	OR90028	WHEEL GUARD (LEFT)	1
6	OR90003	SPARK ARRESTOR (RIGHT)	1	52	STD511003	SCR #10-24 x 3/8"	3
7	STD551012	FLAT WASHER 1/4"	1	53	OR90186	6" GRINDING WHEEL 36 GRIT (AVAILABLE AT MOST RETAIL STORES)	1
8	OR90150	HEX HD SCR 1/4-20 x 1/4"	1	54	OR90005	FLANGE	2
9	STD511002	SCR #10-24 x 1/4"	3	55	OR90029	LEFT HAND HEX NUT 1/2-12	1
10	OR90004	COVER	1	56	OR90004	COVER	1
11	OR90030	HEX NUT 1/2-12	1	57	STD511002	SCR #10-24 x 1/4"	3
12	OR90005	FLANGE	2	58	OR90069	POWER CORD	1
13	OR90067	6" GRINDING WHEEL 60 GRIT	1	59	STD511003	SCR #10-24 x 3/8" (AVAILABLE AT MOST RETAIL STORES)	1
14	OR90006	WHEEL GUARD (RIGHT)	1	60	OR90053	EXT TOOTH WASHER #10	1
15	OR90007	ROTATION LABEL	1	62	OR90166	STRAIN RELIEF (6N-4)	1
16	STD511003	SCR #10-24 x 3/8"	3	63	STD511003	SCR #10-24 x 3/8"	2
17	OR91523	TOOL REST SUPPORT (COLOR: BLACK)	1	64	OR90031	CORD MOUNTING PLATE	1
18	OR91512	TOOL REST (COLOR: BLACK)	1	65	OR91513	BASE	1
20	STD551131	LOCK WASHER 5/16"	1	68	OR90183	SWITCH PLATE	1
21	STD523107	HEX HD SCREW 5/16-18 X 3/4"	1	69	OR90184	SWITCH	1
22	STD551031	FLAT WASHER 5/16"	2	70	OR90169	CAPACITOR CLAMP	1
23	STD523105	HEX HD SCR 5/16-18 x 1/2"	2	71	STD511003	SCR #10-24 x 3/8"	1
30	OR91520	MOTOR ASS'Y (See KEY NO 's 100-110 for individual parts)	1	72	STD511003	SCR #10-24 x 3/8"	2
31	OR90180	NAMEPLATE	1	76	STD551125	LOCK WASHER 1/4"	2
33	OR91511	SPEC PLATE	1	77	STD622507	SCR 1/4-20 X 3/4"	2
36	OR90001	KNOB M6	1	78	OR91514	CAPACITOR(10uf,250v)	1
37	STD851006	FLAT WASHER M6	1	81	OR90210	LIGHT ASSEMBLY (COLOR: BLACK)	1
38	OR90152	EYESHIELD	1	82	OR91317	WARNING LABEL	1
39	OR90055	CARRIAGE HD SCR M6 x 80mm	1	84	OR90045	PAD	4
40	OR90002	SPACER	1	85	STD551010	FLAT WASHER #10	4
41	OR90025	SPARK ARRESTOR (LEFT)	1	86	STD511005	SCR #10-24 x 1/2"	4
42	OR90150	HEX HD SCR 1/4-20 x 1/4"	1	93	OR90050	10mm x 12mm OPEN END WRENCH	1
43	STD551012	FLAT WASHER 1/4"	1	95	OR90185	COVER PLATE	1
44	STD523107	HEX HD SCREW 5/16-18 X 3/4"	1				
45	STD551131	LOCK WASHER 5/16"	1				



◆ NOTES ◆

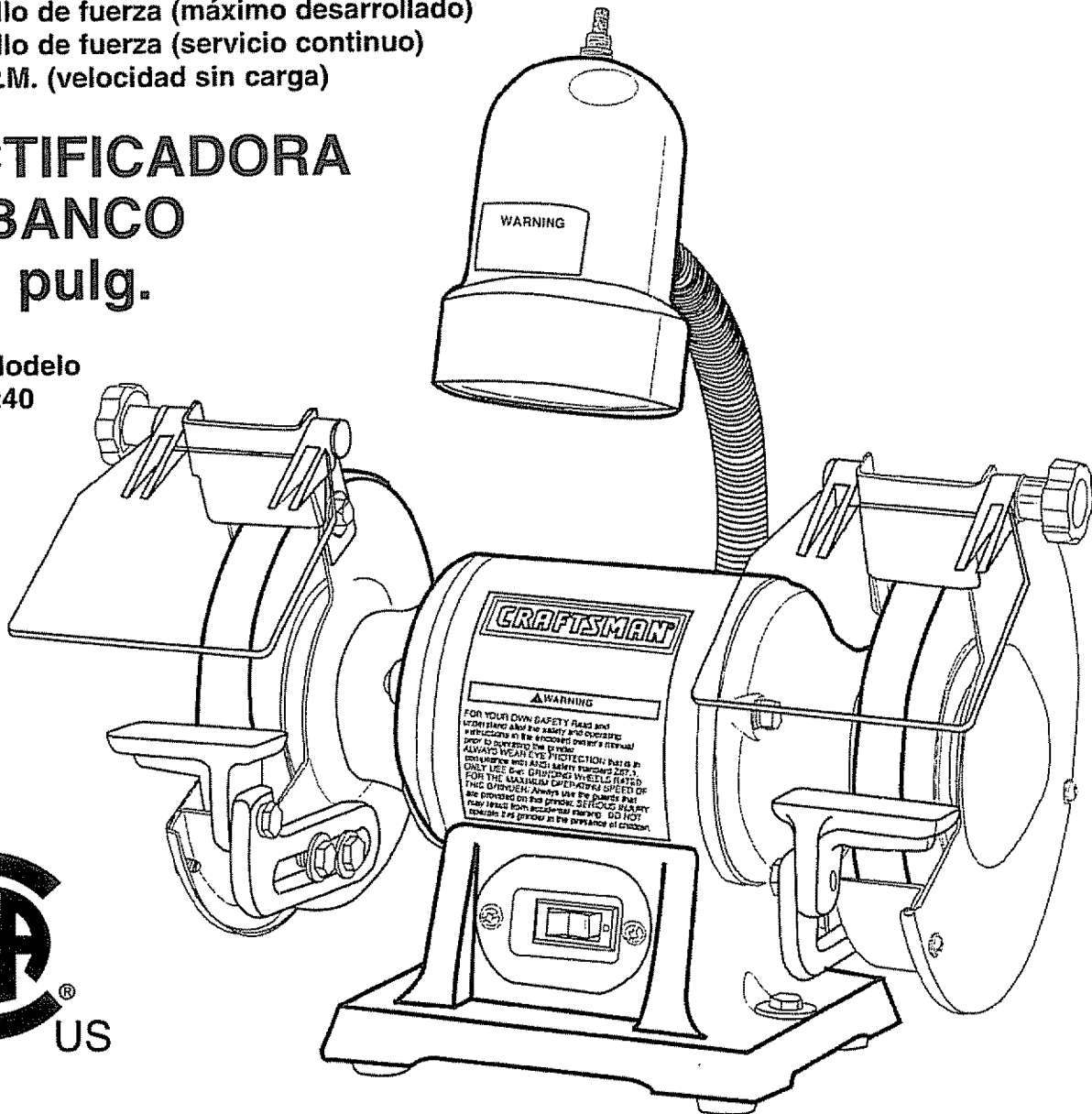
Manual del Proprietario



Rueda de 6 pulg.
1/3 caballo de fuerza (máximo desarrollado)
1/6 caballo de fuerza (servicio continuo)
3450 R.P.M. (velocidad sin carga)

RECTIFICADORA DE BANCO de 6 pulg.

No. de Modelo
152.211240



PRECAUCION:

PARA SU SEGURIDAD PERSONAL;
Lea y obedezca todas las
Instrucciones de Seguridad y
Funcionamiento antes de accionar
esta Rectificadora de Banco.

Línea de Ayuda al Cliente

1-800-897-7709

Sírvase tener listo su
No. de Modelo y No. de Serie

Sears, Roebuck and Co., Hoffman Estates, IL 60179 U.S.A.
No. de Pieza OR91510

VER. 2.07

TABLA DE MATERIAS

SECCION	PAGINA
Garantía	18
Especificaciones del Producto	18
Instrucciones de Seguridad	19
Instrucciones de Conexión a Tierra	20
Instrucciones de Seguridad Específicas para las Rectificadoras de Banco	21
Accesorios y Conexiones.....	22
Contenido de la Caja.....	22
Conozca su Rectificadora de Banco	23
Instrucciones de Montaje	24
Accionando la Rectificadora de Banco.....	26
Mantenimiento	28
Guía de Localización de Averías.....	28
Listado de Piezas	29
Información de servicio.....	Portada posterior

GARANTIA

GARANTIA COMPLETA DE UN AÑO

Si este producto queda averiado debido a defectos materiales o de elaboración dentro de un año a partir de la fecha de compra, DEVUELVALO A SU TIENDA SEARS O CRAFTSMAN MAS CERCANA y se la reemplazaremos libre de costo.

Esta garantía le otorga derechos legales específicos, y también podrá tener otros derechos que pueden variar de un estado al otro.

Sears, Roebuck and Co., Dept. 817 WA, Hoffman Estates, IL 60179

ESPECIFICACIONES DEL PRODUCTO

Motor	
CF máximo desarrollado	1/3
HP Servicio Continuo	1/6
Voltios	120
Hertzios	60
RPM	3450 R.P.M. (velocidad sin carga)
Dimensiones de la Rueda Rectificadora	6 x 3/4 x 1/2 pulg.
Grano de la Rueda Rectificadora	60, 36
Lámpara	Bombilla para luz de carril, 120 v, 40 vatios o menor, tipo R20, base mediana o su equivalente (no incluida)
Portaherramientas	Izquierdo y derecho, hierro moldeado
Ensamblados de Escudos Oculares	Izquierdo y derecho de Lexan transparente
Amortiguador de Chispas	Izquierdo y derecho
Protectores de Chispas	Izquierdo y derecho

▲ ADVERTENCIA

Utilice la protección de circuitos debida para evitar el riesgo personal de los choques eléctricos y el daño a la Rectificadora de Banco.

La Rectificadora de Banco viene cableada de fábrica para el funcionamiento a 120 V, 60 Hz. Conéctele a un circuito derivado de 120 V, 15 amp y utilice un fusible de retardación de tiempo o disyuntor de circuitos de 15 amp. El tamaño de hilo del circuito eléctrico no puede ser menor que #14. Para evitar el riesgo de choques o de incendios, reponga el cordón de potencia inmediatamente si queda dañada en cualquier manera.

INSTRUCCIONES DE SEGURIDAD

INSTRUCCIONES GENERALES DE SEGURIDAD

El funcionamiento de una Rectificadora de Banco puede resultar peligroso si se hace caso omiso de la seguridad y del sentido común. El operario debe estar familiarizado con el funcionamiento de la herramienta. Lea este manual para entender su Rectificadora de Banco. **NO OPERE** esta Rectificadora de Banco si no entiende a cabalidad las limitaciones de dicha herramienta. **NO** realice modificaciones de cualquier tipo a esta Rectificadora de Banco.

ANTES DE UTILIZAR LA RECTIFICADORA DE BANCO

⚠ ADVERTENCIA

Para evitar las heridas graves y el daño a la herramienta, lea y obedezca todas las Instrucciones de Seguridad y Operación antes de operar la Rectificadora de Banco.

⚠ ADVERTENCIA

1. Parte del polvo que se crea usando las herramientas eléctricas contiene productos químicos que el estado de California reconoce como causantes de cáncer, defectos de nacimiento, o daños en el sistema reproductivo. Algunos ejemplos de estos productos químicos son:
 - El plomo de pinturas con base de plomo
 - El Silicón cristalino de ladrillos, cemento, y de otros productos de albañilería
 - El arsénico y el cromo de la madera de construcción químicamente tratadaEl riesgo de estas exposiciones varía, dependiendo de cuantas veces se realiza este tipo de trabajo. Para reducir tu exposición a estos productos químicos, trabaje en un área bien ventilada, y trabaje con el equipo aprobado de seguridad, tal como máscaras diseñadas para el polvo.
2. **LEA** a consciencia el Manual del Propietario. **APRENDA** cómo hacer uso de esta herramienta para sus aplicaciones diseñadas.
3. **CONECTE TODAS LAS HERRAMIENTAS A TIERRA.** Si la herramienta se suministra con un enchufe de 3 machos, se le debe enchufar a un tomacorrientes que disponga de 3 contactos eléctricos. El tercer macho se utiliza para conectar la herramienta a tierra y ofrecer protección contra los choques eléctricos accidentales. **NO** quite el tercer macho. Vea las Instrucciones de Conexión a Tierra en la página 20.
4. **EVITE UN ENTORNO LABORAL PELIGROSO. NO** utilice las herramientas eléctricas en un entorno húmedo, ni tampoco las exponga a lluvia.
5. **NO** utilice herramientas eléctricas si hay gases o líquidos inflamables presentes.
6. **MANTENGA SIEMPRE** su zona de trabajo limpia, bien alumbrada y organizada. **NO TRABAJE** en un entorno con superficies de piso resbalosas a consecuencia de los escombros, la grasa y la cera.
7. **MANTENGA ALEJADOS A LOS NIÑOS Y VISITANTES.** **NO** permita que haya personas en la zona inmediata de trabajo, particularmente cuando la herramienta eléctrica se encuentre en funcionamiento.
8. **NO FUERCE LA HERRAMIENTA** a realizar operaciones para las cuales no fue diseñada. Realizará una labor más segura y de mejor calidad si se le utiliza para realizar operaciones para las cuales fue diseñadas.

9. **UTILICE VESTIMENTA APROPIADA. NO** vista ropa holgada, guantes, corbatas ni artículos de joyería. Estos artículos pueden quedar atrapados en la máquina durante las operaciones y tirar del operario, atrayéndolo hacia las piezas en movimiento. El usuario debe llevar una cubierta protectora sobre el cabello, si tiene cabellera larga, para impedir el contacto con cualquier pieza en movimiento.
10. **UTILICE PROTECCIÓN OCULAR SIEMPRE.** Cualquier herramienta mecánica puede expulsar escombros hacia los ojos durante las operaciones, resultando en daño ocular grave y permanente. Los anteojos cotidianos **NO** son gafas de seguridad. Haga uso **SIEMPRE** de Gafas de Seguridad (que cumplan con la normativa Z87.1 de ANSI) cuando vaya a utilizar herramientas mecánicas. Las Gafas de Seguridad están disponibles en las tiendas Sears de ventas al detal.



11. **UTILICE PROTECCIÓN AUDITIVA SIEMPRE.** El algodón corriente no representa un dispositivo protector aceptable. La protección auditiva debe cumplir con la normativa S3.19 de ANSI.
12. **SIEMPRE DESENCHUFE LA HERRAMIENTA DEL TOMACORRIENTES** cuando vaya a realizar ajustes, cambiar piezas o realizar cualquier clase de mantenimiento.
13. **MANTENGA LOS ESCUDOS DE PROTECCION EN SU SITIO Y EN BUEN ESTADO DE FUNCIONAMIENTO.**
14. **EVITE EL ARRANQUE ACCIDENTAL.** Asegúrese de que el interruptor de potencia se encuentre en la posición de "APAGADO" antes de enchufar el cordón de potencia en el tomacorrientes.
15. **QUITE TODAS LAS HERRAMIENTAS DE MANTENIMIENTO** de la zona inmediata antes de encender la rectificadora de banco.
16. **SOLO UTILICE ACCESORIOS DE RECOMENDADOS.** El uso de accesorios incorrectos o inapropiados puede ocasionar heridas graves al operario y ocasionar daño a la herramienta. Si tiene dudas, consulte el manual de instrucciones que se adjunta con el accesorio específico.
17. **JAMAS DEJE UNA HERRAMIENTA EN FUNCIONAMIENTO SIN ATENDER.** Conmute el interruptor de energía a la posición de apagado. **NO** abandone la herramienta hasta que ésta se haya detenido por completo.
18. **NO SE PARE SOBRE LA HERRAMIENTA.** Pueden producirse heridas graves si la herramienta se vuelca o si usted hace contacto con la herramienta accidentalmente.
19. **NO ALMACENE** nada por encima ni cerca de la máquina en donde alguien pueda intentar pararse en la herramienta para alcanzarlo.
20. **MANTENGA SU EQUILIBRIO. NO** se extienda sobre la herramienta. Haga uso de zapatos con suela de caucho resistente al aceite. Mantenga el piso libre de escombros, grasa, o cera.
21. **MANTENGA SUS HERRAMIENTAS CUIDADOSAMENTE.** Mantenga sus herramientas limpias y en buen estado. Mantenga afiladas todas las hojas y brocas.

22. **REVISE SI HAY PIEZAS DAÑADAS ANTES DE CADA USO DE LA HERRAMIENTA.** Revise todos los protectores cuidadosamente para comprobar que funcionan correctamente y que no están dañados, y que realizan sus funciones diseñadas correctamente. Revise el alineamiento, la fijación o la ruptura de las piezas en movimiento. Cualquier protector u otra pieza que se encuentre dañada debe repararse o reemplazarse inmediatamente.
23. **HAGA SU TALLER A PRUEBA DE NIÑOS** quitando las llaves del interruptor, desenchufando las herramientas de los tomacorrientes y mediante el uso de candados.
24. **NO OPERE LA HERRAMIENTA BAJO LA INFLUENCIA DE LAS DROGAS O DEL ALCOHOL.**
25. **AFIANCE TODO EL MATERIAL.** Utilice abrazaderas o plantillas para asegurar el material. Esto ofrece mayor seguridad que intentar sujetar el material con sus propias manos.
26. **UTILICE UNA EXTENSION ELECTRICA CORRECTA Y EN BUEN ESTADO.** Cuando vaya a hacer uso de una extensión eléctrica, asegúrese de utilizar una que sea lo suficientemente fuerte como para transportar la corriente a ser utilizada por su herramienta. La siguiente tabla presenta las dimensiones correctas a utilizarse de acuerdo con las dimensiones de la extensión y la clasificación de amperaje en la placa de notaciones. Si tiene dudas, utilice la siguiente extensión de mayor calibre. Mientras menor sea el número de calibre, mayor será el diámetro de la extensión eléctrica. Si tiene dudas sobre las dimensiones correctas de una extensión eléctrica, utilice un cordón más corto y más grueso. Una extensión de dimensiones insuficientes producirá una caída en el

voltaje de línea, resultando en una pérdida de potencia y el sobrecalentamiento. **SOLO UTILICE UNA EXTENSION ELECTRICA DE 3 HILOS QUE DISPONGA DE UN ENCHUFE DE CONEXION A TIERRA DE 3 MACHOS, Y UN RECEPTACULO DE 3 POLOS QUE ACEPTE EL ENCHUFE DE LA MAQUINA.**

DIRECTRICES PARA LAS EXTENSIONES ELECTRICAS

Si está haciendo uso de una extensión eléctrica a la intemperie, esté seguro de que la extensión se encuentre marcada con "W-A" ("W" en el Canadá), lo que indica que su uso a la intemperie es aceptable.

Esté seguro del dimensionamiento correcto de su extensión eléctrica, y que se encuentre en buen estado eléctrico. Repare siempre una extensión eléctrica dañada, o procure que una persona experta la repare antes del uso.

Proteja sus extensiones eléctricas contra los objetos filosos, el calor en exceso y los lugares mojados o húmedos.

CALIBRE MINIMO RECOMENDADO PARA LAS EXTENSIONES ELECTRICAS				
FUNCIONAMIENTO A 120 VOLTIOS SOLAMENTE				
	25 PIES DE LARGO	50 PIES DE LARGO	100 PIES DE LARGO	150 PIES DE LARGO
0 to 6 Amperios	18 AWG	16 AWG	16 AWG	14 AWG
6 to 10 Amperios	18 AWG	16 AWG	14 AWG	12 AWG
10 to 12 Amperios	16 AWG	16 AWG	14 AWG	12 AWG

INSTRUCCIONES DE CONEXION A TIERRA

EN EL CASO DE UN MALFUNCIONAMIENTO O AVERIA, la conexión a tierra ofrece el trecho de menor resistencia para la corriente eléctrica y reduce el riesgo de los choques eléctricos. Esta herramienta viene equipada con un cordón eléctrico que dispone de un conductor de conexión a tierra para el equipo así como un enchufe de conexión a tierra. El enchufe **DEBE** estar enchufado a un tomacorrientes adaptado que haya sido correctamente instalado y conectado a tierra de acuerdo con **TODOS** los códigos y ordenanzas municipales.

NO MODIFIQUE EL ENCHUFE SUMINISTRADO. Haga que un electricista calificado instale el tomacorrientes apropiado si el enchufe no cabe en el tomacorrientes.

LA CONEXION ELECTRICA INDEBIDA del conductor de conexión a tierra para el equipo puede resultar en el riesgo de choques eléctricos. El conductor con el aislamiento verde (con o sin rayas amarillas) es el conductor de conexión a tierra para el equipo. **NO** conecte el conductor de conexión a tierra para el equipo a una terminación viva si resulta necesario reparar o reemplazar el cordón eléctrico o el enchufe.

CONSULTE con un electricista calificado o personal de servicio si no entiende las instrucciones de conexión a tierra completamente, o si no está seguro que la herramienta está debidamente conectada a tierra.

SOLO UTILICE UNA EXTENSION ELECTRICA DE 3 HILOS QUE DISPONGA DE UN ENCHUFE DE CONEXION A TIERRA DE 3 MACHOS, Y UN RECEPTACULO DE 3 POLOS QUE ACEPTE EL ENCHUFE DE LA MAQUINA.

REPONGA CUALQUIER CORDON DAÑADO O GASTADO INMEDIATAMENTE.

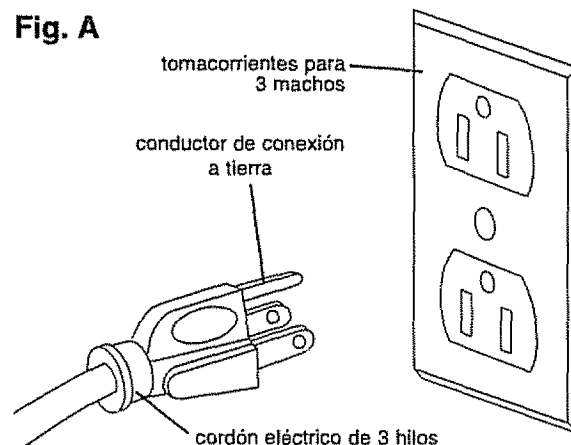
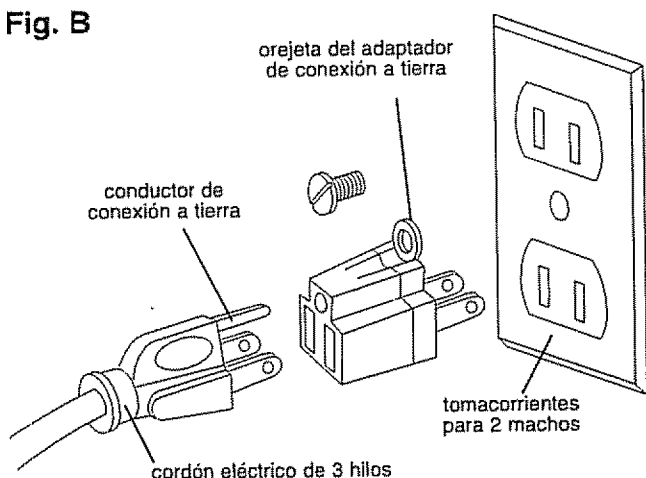


Fig. B



Esta herramienta está diseñada para el uso en un circuito que disponga de un tomacorrientes como el que se ilustra en la FIGURA A. La FIGURA A muestra un enchufe eléctrico de 3 hilos y un tomacorrientes eléctrico con conductor de conexión a tierra. Si no se encuentra disponible un tomacorrientes debidamente conectado a tierra, se puede hacer uso de un adaptador, según lo ilustrado en la FIGURA B, para conectar dicho enchufe provisionalmente al tomacorrientes de 2 contactos que no está conectado a tierra. El adaptador cuenta con una orejeta rígida que DEBE ser conectada a una conexión a tierra permanente, tal como un tomacorrientes debidamente conectado a tierra. ESTE ADAPTADOR ESTA PROHIBIDO EN EL CANADA.

PRECAUCION: En todos los casos, asegúrese de que el tomacorrientes en cuestión esté debidamente conectado a tierra. Si no está seguro, haga que un electricista certificado revise el tomacorrientes.

▲ ADVERTENCIA

Esta rectificadora es para el uso en interiores solamente. No la exponga a la lluvia ni la utilice en lugares húmedos.

INSTRUCCIONES DE SEGURIDAD ESPECIFICAS PARA LAS RECTIFICADORAS DE BANCO

El funcionamiento de cualquier rectificadora puede resultar en la expulsión de chispas hacia sus ojos, lo que puede resultar en daño grave a los ojos. **UTILICE SIEMPRE** Gafas de Seguridad (que cumplan con la normativa ANSI Z87.1) al operar la rectificadora. Las Gafas de Seguridad están disponibles en las Tiendas Sears de Ventas al Detal. Aparte los pulgares y dedos de las ruedas de rectificación.



1. **UTILICE SIEMPRE LOS PROTECTORES OCULARES Y DE RUEDA** suministrados con la rectificadora.
2. **REPONGA INMEDIATAMENTE CUALQUIER RUEDA DE RECTIFICACION AGRIETADA O DAÑADA.** Una rueda de rectificación dañada puede descargar escombros a alta velocidad en la dirección del operario. Maneje las ruedas de rectificación con cuidado, ya que son abrasantes. Antes de reemplazar la rueda de rectifi-

cación, revise por si existen grietas. **NO QUITE** el secante o la etiqueta en ambos lados de la rueda de rectificación. Apriete la tuerca del eje justo lo suficiente como para sujetar la rueda de rectificación firmemente a la Rectificadora de Banco. No apriete la tuerca excesivamente. La fuerza abrazadora excesiva puede dañar la rueda de rectificación. Sólo utilice las pestañas de rueda proporcionadas con la rectificadora. Cuando vaya a seleccionar una rueda de rectificación de repuesto, compruebe que la rueda de rectificación tiene una notación de R.P.M. más alta que las R.P.M. máximas de la Rectificadora de Banco.

3. **EL DIAMETRO DE LAS RUEDAS DE RECTIFICACION SE REDUCIRA CON EL USO.** Ajuste los portaherramientas y los protectores de chispas para conservar una distancia de 1/16" de la rueda.
4. **NO SE INCORPORE EN FRENTE DE LA RECTIFICADORA DE BANCO CUANDO VAYA A ENCENDERLA.** Incorpórese a un lado de la Rectificadora de Banco y enciéndala. Espere al lado por un minuto hasta que la rectificadora alcance plena velocidad. Siempre existe la posibilidad de que los escombros de una rueda de rectificación dañada puedan descargarse hacia el operario.
5. **LA RECTIFICADORA DE BANCO PRODUCIRA CHISPAS Y ESCOMBROS DURANTE LAS OPERACIONES DE RECTIFICACION.** Asegúrese que no existan materiales inflamables en las cercanías. Limpie el polvo residual de la rectificación de la parte posterior de la Rectificadora de Banco.
6. **JAMAS FUERCE EL MATERIAL CONTRA LA RUEDA DE RECTIFICACION,** especialmente si la rueda se encuentra fría. Aplique el material lentamente, permitiendo que la rueda de rectificación tenga la oportunidad de calentarse. Esto reducirá la posibilidad de ruptura de la rueda. **NO** rectifique utilizando los lados de las ruedas de rectificación. **NO** aplique refrigerante directamente sobre la rueda de rectificación.
7. **MANTENGA TODAS LOS PROTECTORES DE RUEDA EN SU SITIO. NO UTILICE LA RECTIFICADORA DE BANCO CON LOS PROTECTORES DE RUEDA FUERA DE LUGAR.**
8. **MANTENGA LOS PORTAHERRAMIENTAS FIRME-MENTE APRETADOS.**
9. **QUITTE EL AJUSTE DE LLAVES Y DE LAS LLAVES.** Forme el hábito de la comprobación para ver que las llaves y las llaves del ajuste están quitadas de la herramienta antes de girarla.
10. **DIRECCIÓN DE LA ALIMENTACIÓN.** Alimente el trabajo en una lámina o un cortador contra la rotación de la lámina o un cortador solamente.
11. **UTILICE LA HERRAMIENTA DERECHA.** No fuerce la herramienta o el accesorio para hacer un trabajo para el cual no fue diseñado.
12. **NO** sobre apriete la tuerca de la rueda.
13. **SOLAMENTE** utilice los rebordes equipados con la amoladora.
14. **CON FRECUENCIA** polvo que muele limpio debajo de la amoladora.

GUARDE ESTAS INSTRUCCIONES.

ACCESORIOS Y ADITAMENTOS

ACCESORIOS DISPONIBLES

Visite su Departamento de Ferretería de Sears o consulte el Catálogo de Herramientas Mecánicas y de Mano para los siguientes accesorios:

ARTICULO	NUMERO DE EXISTENCIA
Ruedas de rectificación de repuesto	Ver catálogo o tienda
Ruedas de alambre y pulido	Ver catálogo o tienda
Espaciadores	Ver catálogo o tienda
Estante universal	Ver catálogo o tienda

Sears podrá recomendar otros accesorios que no aparecen listados en ese manual.

Consulte con su Departamento de Ferretería de Sears o consulte el Catálogo de Herramientas Mecánicas y de Mano para otros accesorios:

No utilice ningún accesorio a menos que haya leído el manual del Propietario para dicho accesorio.

⚠ ADVERTENCIA

Sólo utilice los accesorios recomendados para esta Rectificadora de Banco. El uso de otros accesorios podrá ocasionar lesionamientos graves y dañar la Rectificadora de Banco.

CONTENIDO DEL ENVASE

DESEMPAQUE Y VERIFICACION DE CONTENIDOS (Fig. C)

Esta rectificadora de banco exigirá una cantidad mínima de ensamblaje. Se suministra una llave de extremo abierto de 12 mm x 10 mm para montar los Ensamblados de Portaherramientas y los Ensamblados de Protector de Chispas.

Quite todas las piezas de la caja de envío y colóquelas sobre una superficie de trabajo limpia. Compare los artículos a la Fig. C y verifique que todos los artículos estén contabilizados antes de descartar la caja de envío.

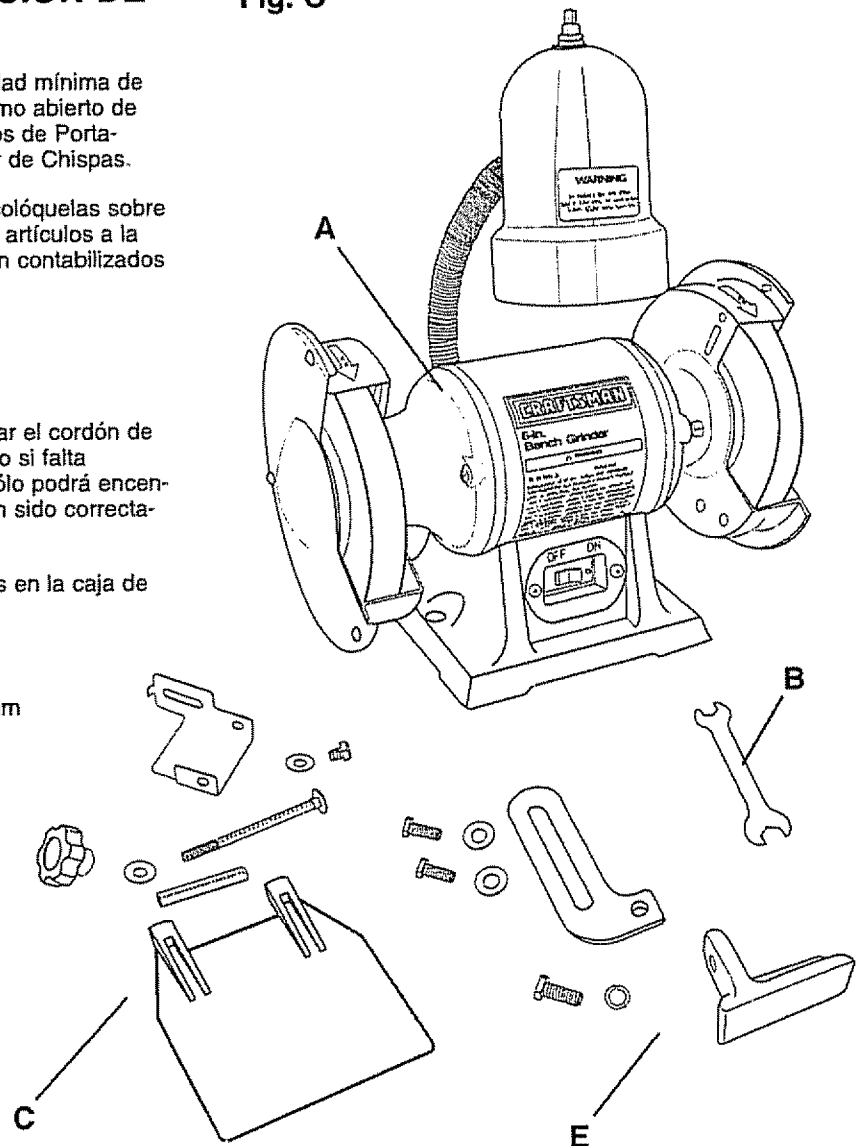
⚠ ADVERTENCIA

Para evitar heridas graves, no intente enchufar el cordón de potencia y encienda la Rectificadora de Banco si falta cualquier pieza. La Rectificadora de Banco sólo podrá encenderse después de que todas las piezas hayan sido correctamente obtenidas e instaladas.

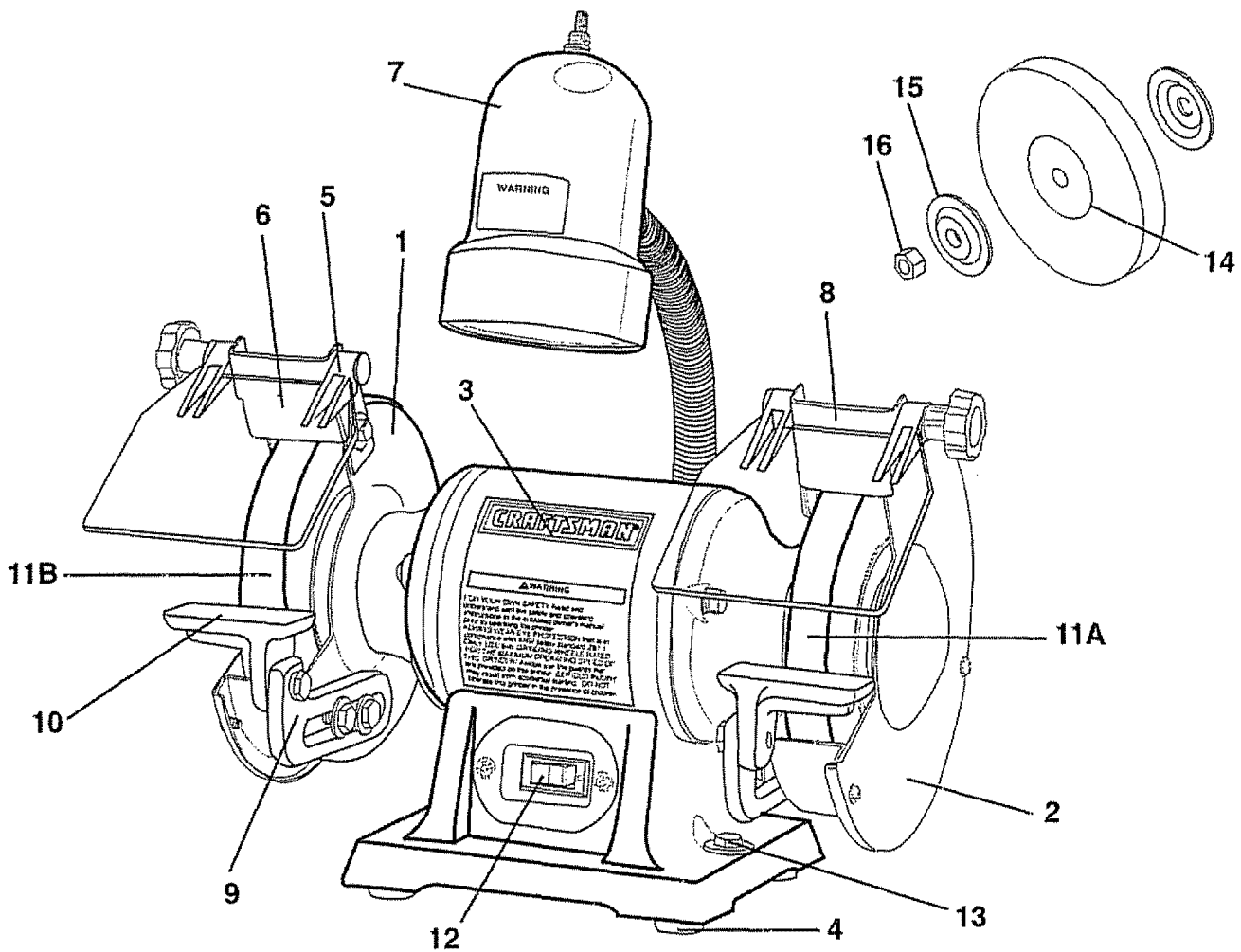
Los siguientes artículos serán proporcionados en la caja de envío:

- A. Rectificadora
- B. Llave de boca hexagonal, 12 mm x 10 mm
- C. Ensamblado del escudo ocular izquierdo
- D. Ensamblado del escudo ocular derecho (no ilustrado)
- E. Ensamblados de portaherramientas (2)

Fig. C



CONOZCA SU RECTIFICADORA DE BANCO



1. **PROTECTOR DE RUEDA** - Cubre las ruedas de rectificación y protege contra el contacto accidental.
2. **CUBIERTA DE RUEDA** - Cubre las ruedas de rectificación y proporciona acceso para el mantenimiento rutinario.
3. **CARCASA DEL MOTOR** - Contiene el motor eléctrico.
4. **PIES DE MONTAJE** - Ayudan a reducir la vibración de la rectificadora.
5. **MONTAJES DEL ESCUDO OCULAR** - Apoyan los escudos oculares.
6. **ESCUDOS OCULARES** - Escudos protectores de Lexan transparente que impiden el contacto entre los escombros sueltos y el operario.
7. **LUZ DE TRABAJO FLEXIBLE** - Proporciona ayuda al operario en las operaciones de rectificación.
8. **PROTECTORES DE CHISPAS** - Impiden que las chispas calientes y escombros entren en contacto con el operario.
9. **SOPORTES AJUSTABLES DE PORTAHERRAMIENTAS** - Permiten que el operario posicione el portaherramientas más cerca a la rueda a la par que se reduce el diámetro de la rueda debido al desgaste.
10. **PORTAHERRAMIENTAS** - Utilizados para apoyar el material que esta siendo rectificado. Ajustable para dar cabida a las superficies anguladas.
11. **A) RUEDA RECTIFICADORA DE 8 PULG. CON GRANO DE 60** - Utilizado para remover material ligero de la pieza rectificada.
11. **B) RUEDA RECTIFICADORA DE 8 PULG. CON GRANO DE 36** - Utilizado para remover material pesado de la pieza rectificada.
12. **INTERRUPTOR DE ENCENDIDO/APAGADO** - Utilizado para encender y apagar la rectificadora.
13. **ALMOHADILLA DE MONTAJE** - Utilizada para afianzar la rectificadora a un banquillo de trabajo o superficie de trabajo adecuada.
14. **ETIQUETA DE IDENTIFICACION DE LA RUEDA DE RECTIFICACION** - Proporciona información sobre el diámetro de rueda, grano y rpm máximas.
15. **PESTAÑAS** - Utilizadas para asegurar las ruedas de rectificación a la rectificadora y distribuir la carga de las Tuercas de Cierre.
16. **TUERCA DE CIERRE** - Utilizada para asegurar las ruedas de rectificación a la rectificadora.

INSTRUCCIONES DE ENSAMBLAJE

Se proporciona una llave de extremo abierto de 12 mm x 10 mm para el montaje de los Ensamblados Portaherramientas y los Ensamblados Protectores de Chispas.

⚠ ADVERTENCIA

1. **NO** ensamble la Rectificadora de Rueda hasta que esté seguro que la herramienta **NO ESTE** enchufada.
2. **NO** ensamble la Rectificadora de Banco hasta que esté seguro que el interruptor de energía esté en la posición de APAGADO.
3. **NO** ensamble la Rectificadora de Banco hasta que esté seguro de que las ruedas rectificadoras estén firmemente apretadas a la Rectificadora de Banco.

PORTAHERRAMIENTAS (Figuras D y E)

La Rectificadora de Banco viene equipada con dos ensamblados de Portaherramientas.

1. Quite Ensamblados de Portaherramientas de las bolsas de plástico y revise que tenga lo siguiente:
Portaherramientas (2)
Apoyo de Portaherramientas (2)
Tornillo de cabeza hexagonal, 5/16-18 x 3/4 pulg. (2)
Arandela de cierre, 5/16 pulg. (2)
Arandela Plana de 5/16 pulg. (6)
Tornillo de Cabeza Hexagonal 5/16-18 x 1/2 pulg. (4)
2. Ensamble los Apoyos de Portaherramientas (A) a la superficie interior de las Cubiertas de Rueda (B) con las arandelas planas (C) y tornillos de cabeza hexagonal de 1/2 pulg. de largo (D) según lo ilustrado. Ver Fig. D.
3. Monte los portaherramientas (E) a los soportes (F) con las arandelas de cierre (G) y el tornillo de cabeza hexagonal de 3/4 pulg. de largo (H) según lo ilustrado. Consulte la figura E.
4. Ajuste los portaherramientas hasta que sus bordes interiores (I) estén a 1/16 pulg. de las ruedas de rectificación. Apriete firmemente los tornillos de cabeza hexagonal que sostienen los soportes y los portaherramientas. Ver Figuras D y E.

Fig. D

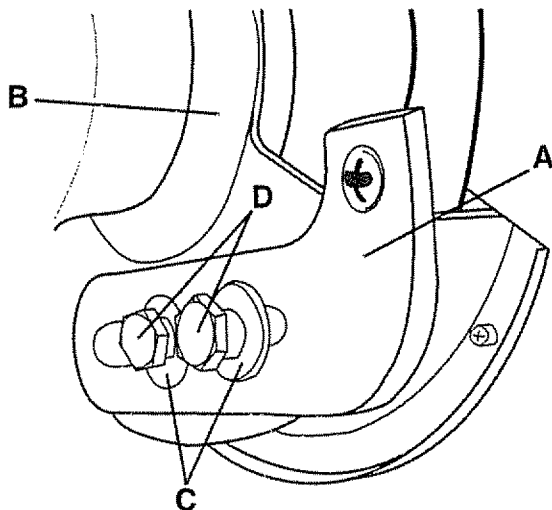
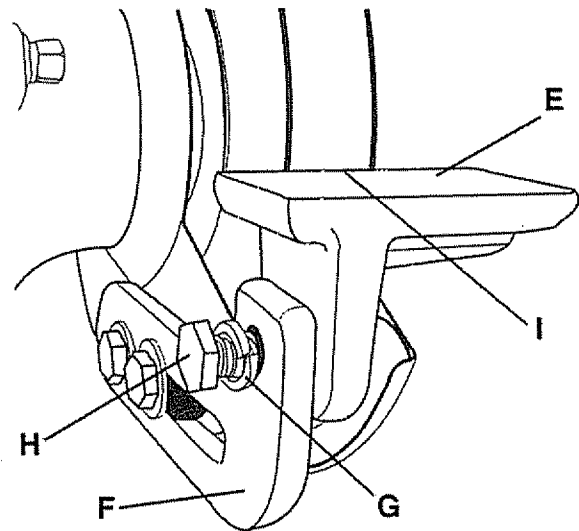


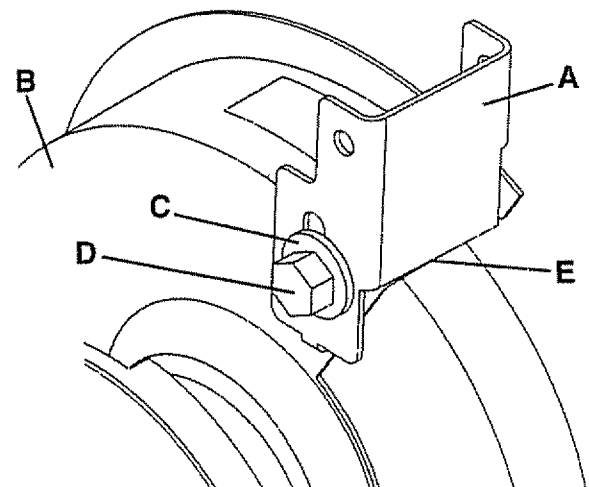
Fig. E



PROTECTORES DE CHISPAS (Fig. F)

1. Quite ambos Ensamblados de Protectores de Chispas de las bolsas de plástico y revise que tengan lo siguiente:
Protector de Chispas Izquierdo
Protector de Chispas Derecho
Arandela Plana de 1/4 pulg. (2)
Tornillo de Cabeza Hexagonal de 1/4-20 x 1/4 pulg. (2)
2. Ensamble los Protectores de Chispas (A) a la superficie interior de las Cubiertas de Rueda (B) con las arandelas planas (C) y los tornillos de cabeza hexagonal (D) según lo ilustrado. Ver Fig. F.
3. Ajuste los Protectores de Chispas hasta que sus bordes inferiores (E) estén a 1/16 pulg. de las ruedas de rectificación. Apriete los tornillos de cabeza hexagonal firmemente. Ver Fig. F.

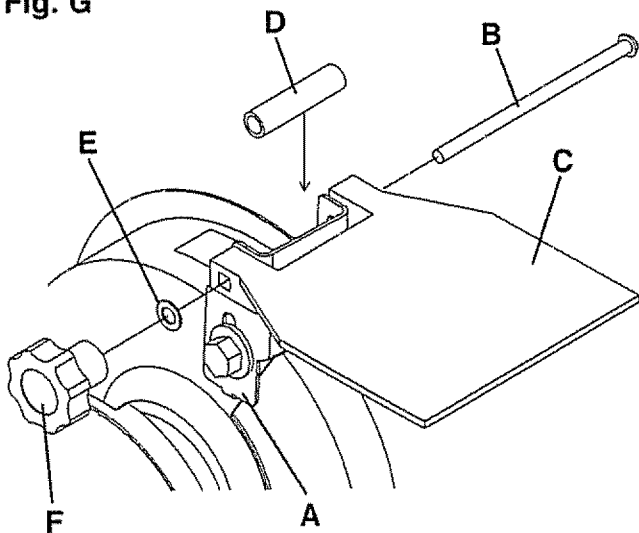
Fig. F



ESCUDOS OCULARES (Fig. G)

1. Quite ambos Ensamblados de Escudos Oculares de las bolsas de plástico y revise que contengan lo siguiente:
Escudo Ocular (2)
Perilla de Cierre (2)
Espaciador (2)
Arandela Plana M6 (2)
Tornillo de Carrocería M6 x 80 mm (2)
2. Ensamble el Escudo Ocular (C) al Protector de Chispas (A) mediante la inserción del tornillo de carrocería (B) al escudo ocular, luego a través del Protector de Chispas y luego a través del espaciador (D) según lo ilustrado. Ver Fig. G.
3. Ensamble la arandela plana (E) y la Perilla de Cierre (F) al tornillo de carrocería y apriételo hasta que el Escudo Ocular permanezca en la posición deseada. Ver Fig. G.

Fig. G



LUZ DE TRABAJO (Fig. J)

La Rectificadora de Banco está equipada con una Luz de Trabajo Flexible para ayudar en la visibilidad del material.

La Rectificadora de Banco **NO** viene equipada con una bombilla para la Luz de Trabajo Flexible.

⚠ ADVERTENCIA

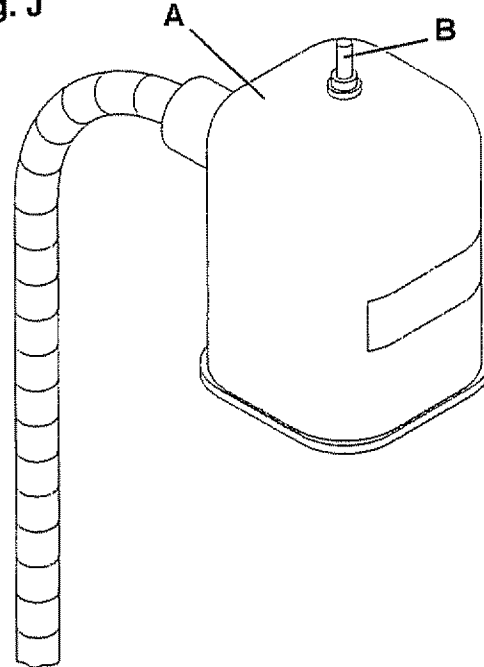
Para reducir el riesgo de incendio, utilice una bombilla para luz de carril de 120 voltios, 40 vatios o menor, tipo R20, base mediana o su equivalente (no incluida). **NO** utilice una bombilla que se extienda más allá del extremo de la pantalla.

La Luz de Trabajo Flexible puede encenderse o apagarse mediante el uso del interruptor rotativo (B) en la parte superior del alojamiento (A). El interruptor puede girarse en el sentido de las agujas del reloj exclusivamente. Ver Fig. J.

AVISO: La Luz de Trabajo Flexible podrá encenderse o apagarse aunque la Rectificadora de Banco se encuentre apagada.

PRECAUCION: El alojamiento de la Luz de Trabajo Flexible permanecerá caliente por algunos minutos después de haberla apagado. Evite el contacto con dicho alojamiento hasta que se enfríe.

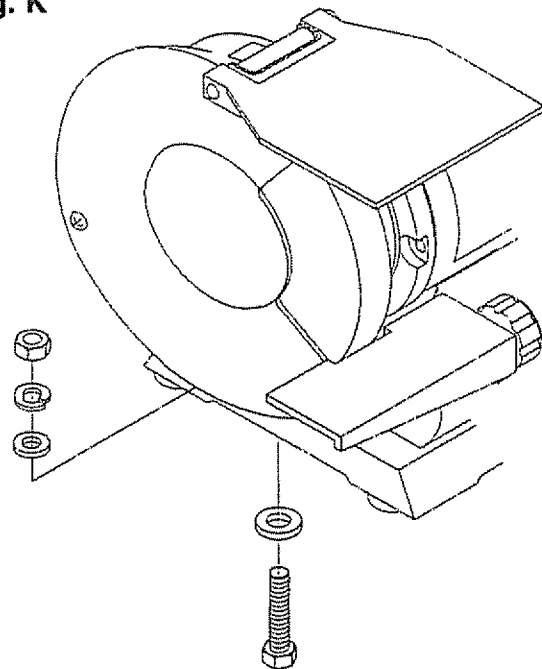
Fig. J



MONTAJE MOUNTING (Fig. K)

Debe conectar la Rectificadora de Banco firmemente a una superficie de trabajo. No se incluye la ferretería.

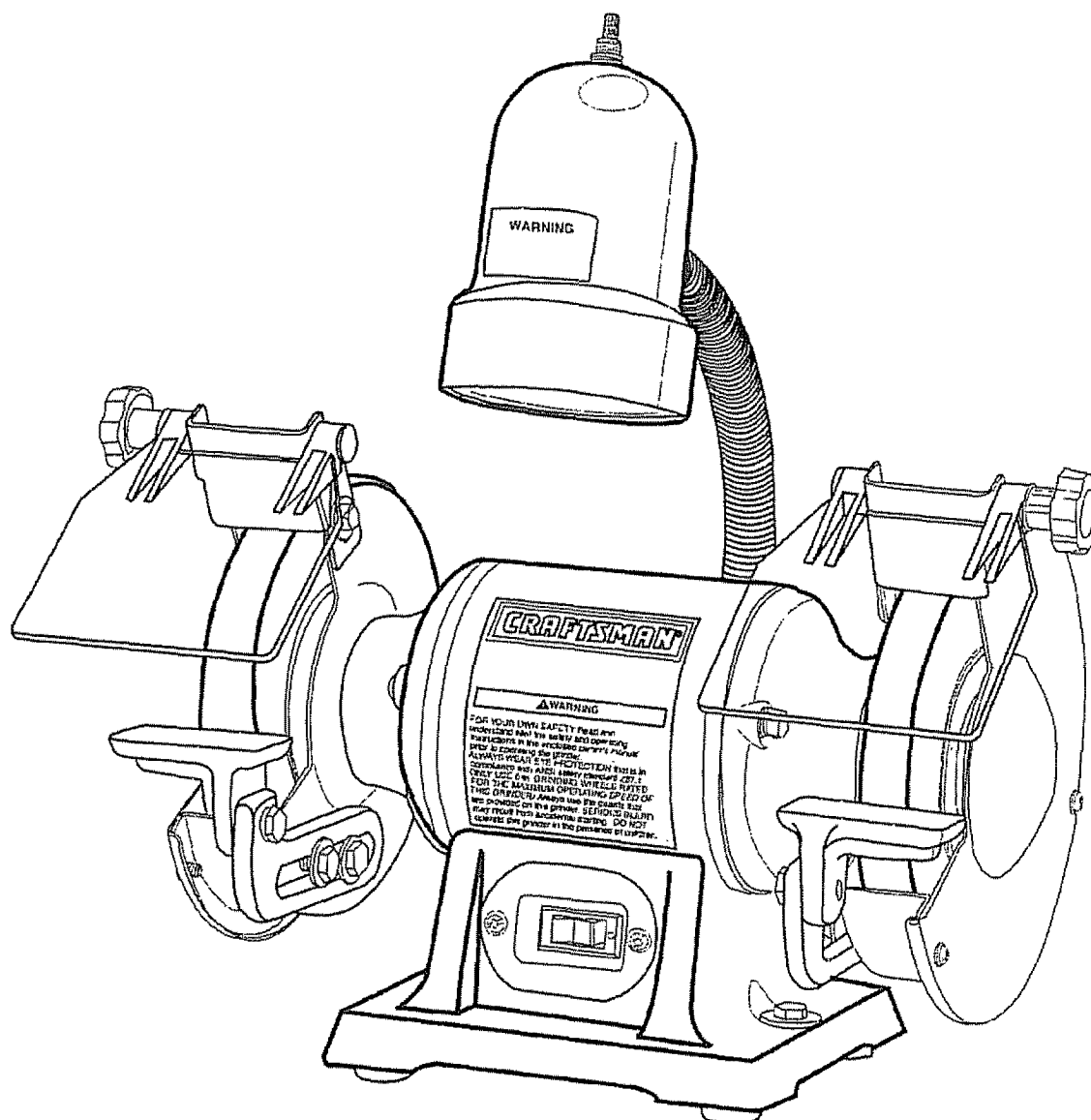
Fig. K



⚠ ADVERTENCIA

Si la Rectificadora de Banco no se encuentra montada con seguridad, tendrá la capacidad de moverse o volcarse durante las operaciones de rectificación y posiblemente hacer que los dedos del operario entren en contacto con las ruedas de rectificación.

FUNCIONAMIENTO DE LA RECTIFICADORA DE BANCO



La Rectificadora de Banco está diseñada para las operaciones manuales de rectificación, afilado y limpieza.

¡UTILICE PROTECCION OCULAR SIEMPRE! Se producen chispas calientes durante las operaciones de rectificación.

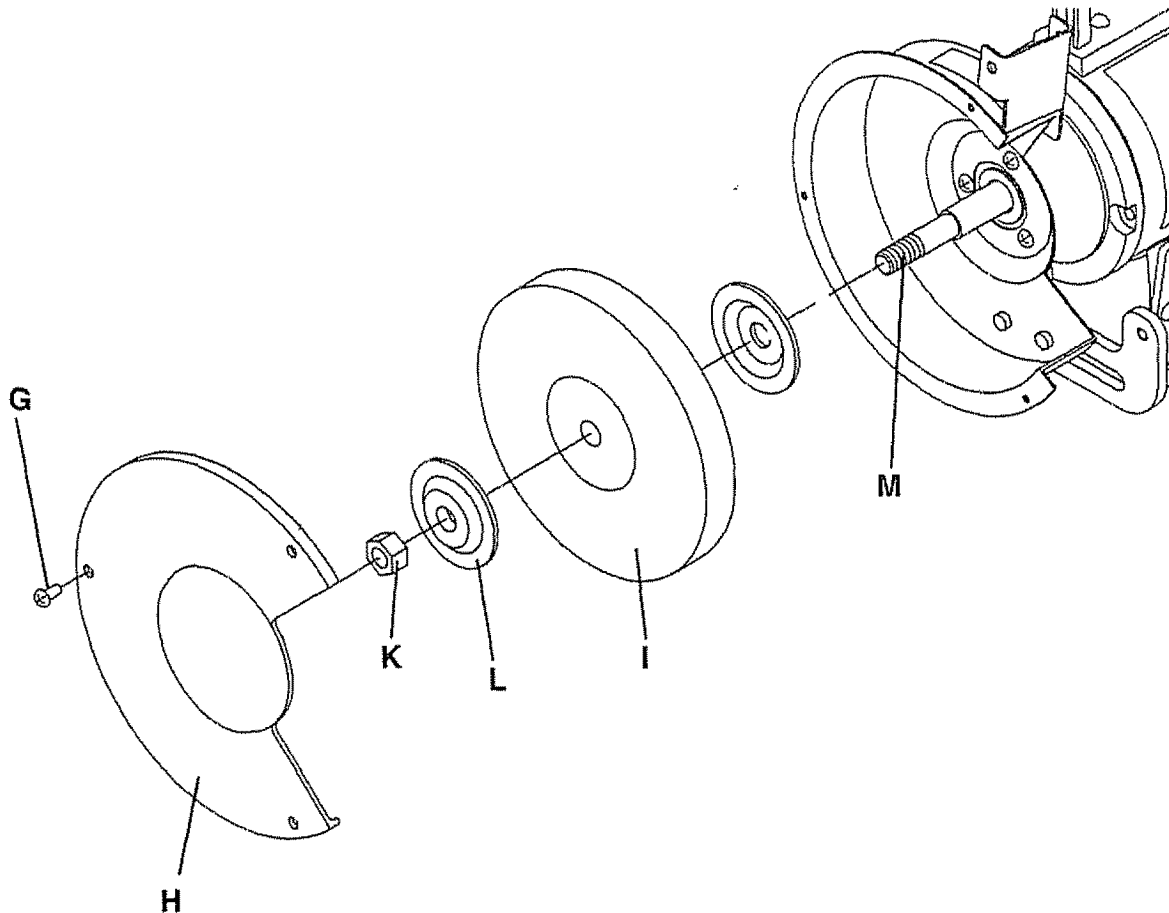
1. El interruptor de energía debe estar en la posición de "APAGADO".
2. Incorpórese al lado de la Rectificadora de Banco y enchufe el cordón de energía a un tomacorrientes apropiado.
3. Permanezca al lado de la Rectificadora de Banco y enciéndala moviendo el interruptor de potencia a la posición de arriba.
4. Permita que las ruedas de rectificación alcancen una velocidad uniforme durante al menos un minuto.
5. La Luz de Trabajo Flexible puede encenderse si se desea.
6. Ajuste los escudos oculares. Coloque el material sobre el portaherramientas adecuado para el funcionamiento deseado.
7. Mueva el material hacia la rueda rectificadora hasta tocarla ligeramente. Mueva el material con acción de vaivén a lo largo de la superficie de la rueda de rectificación, quitando la cantidad de material deseado.
8. Después de haber completado las operaciones de rectificación, apague la Rectificadora de Banco presionando el interruptor de Potencia hacia abajo. **PRECAUCION:** Se requerirán algunos minutos para que las ruedas de rectificación se detengan por completo.
9. Apague la Luz de Trabajo Flexible. **PRECAUCION:** El alojamiento de la Luz de Trabajo Flexible permanecerá caliente por algunos minutos después de haberla apagado.
10. Evite el contacto con el alojamiento hasta que se haya enfriado. Desenchufe la Rectificadora de Banco de la fuente de energía.

⚠ ADVERTENCIA

Para evitar lesiones graves, jamás rectifique en los lados de la rueda de rectificación.

CAMBIANDO LA RUEDA DE RECTIFICACION (Fig. N)

Fig. N



Debido al desgaste normal, ambas ruedas tendrán que ser reemplazadas ocasionalmente. Ver Fig. N.

1. Apague el interruptor de energía y desenchufe el cordón de energía de su fuente de potencia.
2. Gire los escudos oculares a la posición vertical para obtener acceso a los portaherramientas.
3. Quite los tornillos (G) que sujetan el Protector de Ruedas (H) a la Rectificadora de Banco.
4. Quite los Protectores de Rueda.
5. Coloque una pequeña cuña de madera entre la Rueda Abrasante y el Portaherramientas para impedir la rotación de las ruedas.
6. Quite la rueda de rectificación del lado derecho haciendo girar la tuerca de cierre en el sentido contrario a las agujas del reloj utilizando para ello una llave (no incluida). La rueda del lado izquierdo puede quitarse haciendo girar la tuerca de cierre (K) en el sentido de las agujas del reloj.
7. Quite la Pestaña de la Rueda Exterior (L) y luego quite la rueda abrasante (I) del eje del árbol (M).
8. **PRECAUCION:** La nueva rueda abrasante a ser colocada sobre la Rectificadora de Banco debe tener una notación de R.P.M. más alta que la Rectificadora de Banco. La rueda abrasante debe tener un diámetro de 6 pulg. con un diámetro de ánima de 1/2 pulg. para el eje del árbol. La etiqueta en el costado de las ruedas abrasantes debe permanecer adherida. **NO** quite esta etiqueta.
9. Reponga la rueda abrasante, la pestaña de la rueda externa y la tuerca de cierre en el sentido inverso de su desmontaje.

PRECAUCION: NO APRIETE EXCESIVAMENTE la tuerca de cierre, ya que esto puede dañar las ruedas abrasantes y ocasionar heridas graves al operario.

MANTENIMIENTO DE LA RECTIFICADORA DE BANCO

⚠ ADVERTENCIA

Apague el interruptor de energía y desenchufe el cordón de energía de su fuente de potencia antes de realizar cualquier mantenimiento.

LUBRICACION

La Rectificadora de Banco tiene cojinetes de lubricación sellados en la carcasa del motor que no requieren lubricación adicional por parte del operario.

LIMPIEZA

Con la Rectificadora de Banco desenchufada, gire las ruedas abrasantes lentamente e inspeccione por si existe cualquier daño o virutas atrapadas.

PRECAUCION: REPONGA las ruedas abrasantes si existe cualquier daño. **EL DEJAR** de reemplazar una rueda dañada puede ocasionar lesionamiento grave al operario.

PRECAUCION: NO UTILICE MATERIALES INFLAMABLES para limpiar la Rectificadora de Banco. Todo lo que se necesita para quitar la acumulación de polvo y escombros es un paño seco y limpio o un cepillo.

⚠ ADVERTENCIA

Las reparaciones a la Rectificadora de Banco deben ser realizados por personal capacitado solamente. Comuníquese con su Centro de Servicio de Sears más cercano para recibir servicio autorizado. Las reparaciones desautorizadas o el reemplazo con piezas que no sean de fábrica podrán dar lugar a lesionamiento grave al operario y dañar la Rectificadora de Banco.

GUIA DE LOCALIZACION DE AVERIAS

PARA IMPEDIR LAS HERIDAS PERSONALES o el daño a la Rectificadora de Banco, gire el interruptor a la posición de "APAGADO" y desenchufe el cordón de energía del tomacorrientes antes de realizar cualquier ajuste.

PROBLEMA	CAUSA PROBABLE	SOLUCION
Motor no funciona	<ol style="list-style-type: none"> 1. Máquina desenchufada 2. Interruptor de energía en posición de apagado 3. Cordón de energía defectuoso 4. Fusible o disyuntor abierto 5. Motor dañado 	<ol style="list-style-type: none"> 1. Enchufe el cordón al tomacorrientes 2. Levante el interruptor a la posición de encendido 3. Devuélvalo al Centro de Servicio de Sears 4. Circuito eléctrico sobrecargado 5. Devuélvalo al Centro de Servicio de Sears
Motor no tiene plena potencia	<ol style="list-style-type: none"> 1. Tensión incorrecta de línea 2. Motor dañado 	<ol style="list-style-type: none"> 1. Haga que un electricista experto revise la línea para determinar la tensión correcta 2. Devuélvalo al Centro de Servicio de Sears
Motor marcha caliente	<ol style="list-style-type: none"> 1. Motor sobrecargado 2. Mala circulación de aire alrededor del motor 	<ol style="list-style-type: none"> 1. Reduzca la presión sobre el material 2. Quite cualquier obstrucción en torno al motor
Motor se cala o marcha lentamente	<ol style="list-style-type: none"> 1. Motor sobrecargado 2. Tensión incorrecta de línea 3. Falla del capacitor 	<ol style="list-style-type: none"> 1. Reduzca la presión sobre el material 2. Haga que un electricista experto revise la línea para determinar la tensión correcta 3. Devuélvalo al Centro de Servicio de Sears
Se funde el fusible o se dispara el disyuntor de circuitos	<ol style="list-style-type: none"> 1. Motor sobrecargado 2. Circuito eléctrico sobrecargado 3. Fusible o disyuntor equivocados 4. Mal tamaño o longitud excesiva de la extensión eléctrica, ver manual 5. Ruedas de rectificación bloqueadas 	<ol style="list-style-type: none"> 1. Reduzca la presión sobre el material 2. Reduzca la cantidad de artículos en el mismo circuito 3. Reponga con el fusible o disyuntor correcto 4. Utilice el tamaño correcto 5. Desenchufe la máquina y quite la obstrucción

PIEZAS

LISTADO DE PIEZAS PARA LA RECTIFICADORA DE BANCO DE 6 PULG.

NO. DE MODELO 152.211240

⚠ ADVERTENCIA

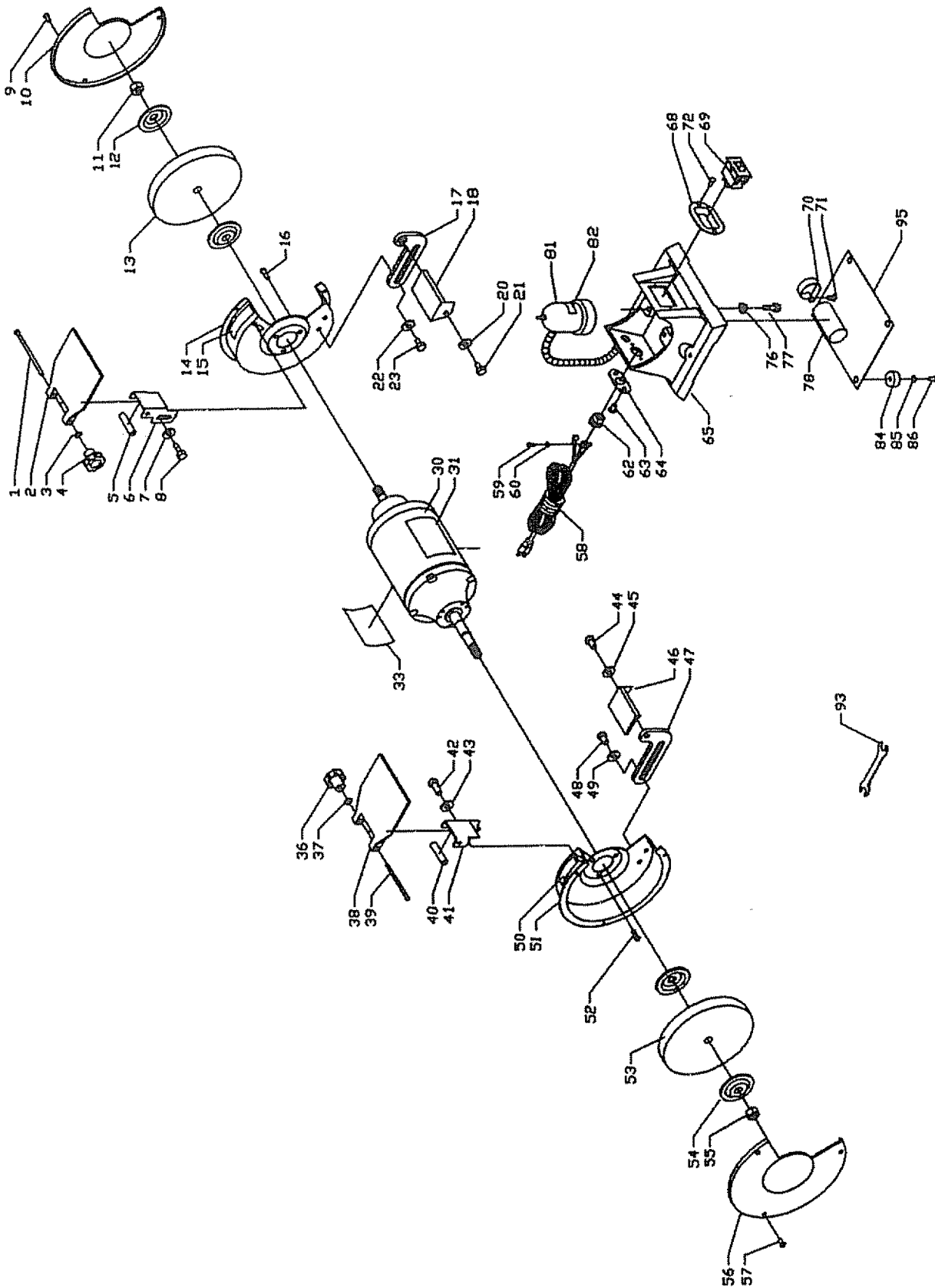
Cuando vaya a rendir servicio, sólo utilice piezas de repuesto CRAFTSMAN. El uso de cualquier otro tipo de pieza puede constituir un PELIGRO u ocasionar daño al producto.

⚠ ADVERTENCIA

Cualquier intento de reparar o reemplazar las piezas eléctricas en esta Rectificadora de Banco puede representar un PELIGRO a menos que las reparaciones hayan sido realizadas por un técnico de servicio experto. El servicio de reparaciones se encuentra disponible en su Centro de Servicio Sears más cercano.

Haga su pedido por NUMERO DE PIEZA siempre, en vez de por número de clave.

No. Clave de PIEZA	No. Descripción	Cantidad	No. Clave de PIEZA	No. Descripción	Cantidad
	OR91510 Manual del Propietario (no ilustrad)	1	46	OR91512 PORTAHERRAMIENTAS (COLOR: NEGRO)	1
1	OR90055 TORNILLO DE CARROCERÍA M6 x 80 mm	1	47	OR91523 SOPORTE DE PORTAHERRAMIENTAS (COLOR: NEGRO)	1
2	OR90152 ESCUDO OCULAR	1	48	STD523105 TORNILLO DE CABEZA HEXAGONAL. 5/16-18 x 1/2 pulg.	2
3	STD851006 ARANDELA PLANA M6	1	49	STD551031 ARANDELA PLANA, 5/16 pulg	2
4	OR90001 PERILLA M6	1	50	OR90007 ETIQUETA DE ROTACIÓN	1
5	OR90002 ESPACIADOR	1	51	OR90028 PROTECTOR DE RUEDA (IZQUIERDO)	1
6	OR90003 SUPRESOR DE CHISPAS (DERECHO)	1	52	STD511003 TORNILLO #10-24 x 3/8 pulg	3
7	STD551012 ARANDELA PLANA, 1/4 pulg	1	53	OR90186 RUEDA DE RECTIFICACIÓN DE 6 PULG. CON GRANO DE 36 (DISPONIBLE EN LA MAYORÍA DE LAS TIENDAS DETALLISTAS)	1
8	OR90150 TORNILLO DE CABEZA HEXAGONAL. 1/4-20 x 1/4 pulg	1	54	OR90005 PESTAÑA	2
9	STD511002 TORNILLO #10-24 X 1/4 pulg	3	55	OR90029 TUERCA HEXAGONAL DE MANO IZQUIERDA, 1/2-12	1
10	OR90004 CUBIERTA	1	56	OR90004 CUBIERTA	1
11	OR90030 TUERCA HEXAGONAL. 1/2-12	1	57	STD511002 TORNILLO #10-24 x 1/4 pulg	3
12	OR90005 PESTAÑA	2	58	OR90069 CORDÓN DE POTENCIA	1
13	OR90067 RUEDA DE RECTIFICACIÓN DE 6 PULG. CON GRANO DE 60 (DISPONIBLE EN LA MAYORÍA DE LAS TIENDAS DETALLISTAS)	1	59	STD511003 TORNILLO #10-24 x 3/8 pulg.	1
14	OR90006 PROTECTOR DE RUEDA (DERECHO)	1	60	OR90053 ARANDELA CON DIENTES EXTERNOS #10	1
15	OR90007 ETIQUETA DE ROTACIÓN	1	62	OR90166 ALIVIO DE TENSION (6N-4)	1
16	STD511003 TORNILLO #10-24 X 3/8 pulg.	3	63	STD511003 TORNILLO #10-24 x 3/8 pulg	2
17	OR91523 SOPORTE DEL PORTAHERRAMIENTAS (COLOR: NEGRO)	1	64	OR90031 PLACA DE MONTAJE DEL CORDÓN	1
18	OR91512 PORTAHERRAMIENTAS (COLOR: NEGRO)	1	65	OR91513 BASE	1
20	STD551131 ARANDELA DE CIERRE, 5/16 PULG	1	68	OR90183 PLACA DEL INTERRUPTOR	1
21	STD523107 TORNILLO DE CABEZA HEXAGONAL, 5/16-18 x 3/4 pulg.	1	69	OR90184 INTERRUPTOR	1
22	STD551031 ARANDELA PLANA. 5/16 pulg.	2	70	OR90169 ABRAZADERA DEL CAPACITADOR	1
23	STD523105 TORNILLO DE CABEZA HEXAGONAL. 5/16-18 x 1/2 pulg	2	71	STD511003 TORNILLO 10-24 x 3/8 pulg	1
30	OR91520 ENSAMBLADO DEL MOTOR (Consultar NUMEROS DE CLAVE 100-110 para los números de pieza individuales)	1	72	STD511003 TORNILLO 10-24 x 3/8 pulg	2
31	OR90180 PLACA DE NOMBRE	1	76	STD551125 ARANDELA DE CIERRE. 1/4 pulg	2
33	OR91511 PLACA DE NOTACIONES	1	77	STD622507 TORNILLO 1/4-20 x 3/4 pulg	2
36	OR90001 PERILLA M6	1	78	OR91514 CAPACITADOR (10 uf, 250 V)	1
37	STD851006 ARANDELA PLANA M6	1	81	OR90210 ENSAMBLADO DE LUCES (COLOR: NEGRO)	1
38	OR90152 ESCUDO OCULAR	1	82	OR91317 ETIQUETA DE ADVERTENCIA	1
39	OR90055 TORNILLO DE CARROCERÍA M6 X 80 mm	1	84	OR90045 ALMOHADILLA	4
40	OR90002 ESPACIADOR	1	85	STD551010 ARANDELA PLANA #10	4
41	OR90025 SUPRESOR DE CHISPAS (IZQUIERDO)	1	86	STD511005 TORNILLO 10-24 x 1/2 pulg.	4
42	OR90150 TORNILLO DE CABEZA HEXAGONAL. 1/4-20x 1/4 pulg	1	89	OR90050 LLAVE DE BOCA DE 10 mm x 12 mm	1
43	STD551012 ARANDELA PLANA, 1/4 pulg.	1	95	OR90185 PLACA DE CUBIERTA	1
44	STD523107 TORNILLO DE CABEZA HEXAGONAL, 5/16-18 x 3/4 pulg.	1			
45	STD551131 ARANDELA PLANA. 5/16 pulg.	1			



◆ NOTAS ◆

Get it fixed, at your home or ours!

Your Home

For repair – **in your home** – of **all** major brand appliances, lawn and garden equipment, or heating and cooling systems, **no matter who made it, no matter who sold it!**

For the replacement parts, accessories and owner's manuals that you need to do-it-yourself.

For Sears professional installation of home appliances and items like garage door openers and water heaters.

1-800-4-MY-HOME® (1-800-469-4663)

Call anytime, day or night (U.S.A. and Canada)

www.sears.com www.sears.ca

For expert home solutions advice: www.managemyhome.com

Our Home

For repair of carry-in items like vacuums, lawn equipment, and electronics, call or go on-line for the location of your nearest

Sears Parts & Repair Service Center

1-800-488-1222 (U.S.A.) 1-800-469-4663 (Canada)

Call anytime, day or night

www.sears.com www.sears.ca

To purchase a protection agreement on a product serviced by Sears:

1-800-827-6655 (U.S.A.)

1-800-361-6665 (Canada)

Para pedir servicio de reparación a domicilio, y para ordenar piezas:

1-888-SU-HOGAR®

(1-888-784-6427)

Au Canada pour service en français:

1-800-LE-FOYER^{MC}

(1-800-533-6937)

www.sears.ca



Free Manuals Download Website

<http://myh66.com>

<http://usermanuals.us>

<http://www.somanuals.com>

<http://www.4manuals.cc>

<http://www.manual-lib.com>

<http://www.404manual.com>

<http://www.luxmanual.com>

<http://aubethermostatmanual.com>

Golf course search by state

<http://golfingnear.com>

Email search by domain

<http://emailbydomain.com>

Auto manuals search

<http://auto.somanuals.com>

TV manuals search

<http://tv.somanuals.com>