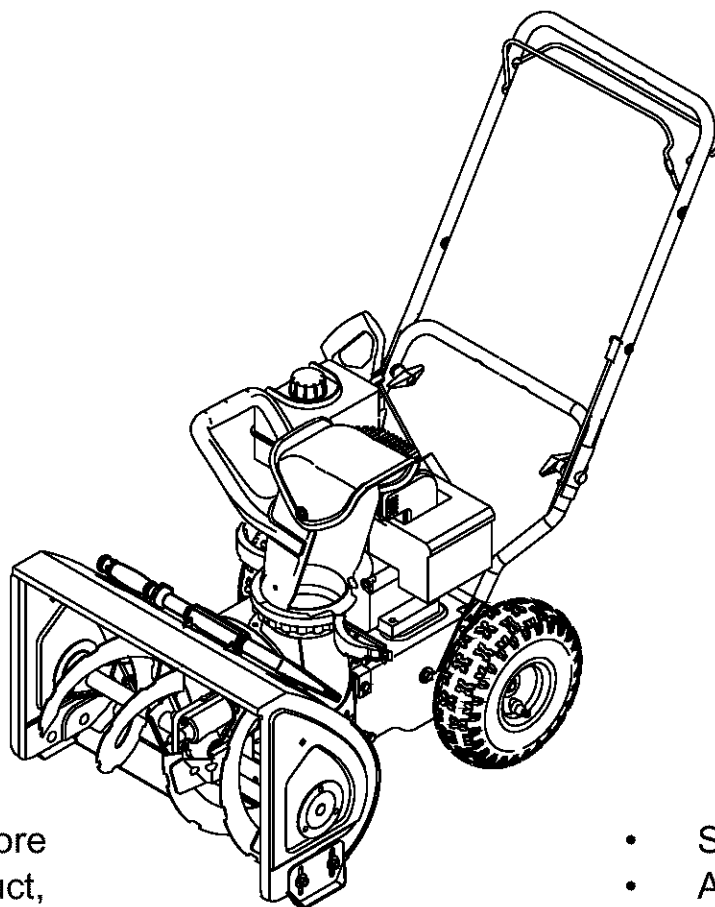


# Owner's Manual



## 5 Horse Power 22" Two-Stage Snow Thrower

Model No.  
247.887000



**CAUTION:** Before using this product, read this manual and follow all safety rules and operating instructions.

- Safety
- Assembly
- ES Operation
- Service
- Maintenance
- Español, p.31

**Sears, Roebuck And Co., Hoffman Estates, IL 60179, U.S.A.**

Visit our website: [www.sears.com/craftsman](http://www.sears.com/craftsman)  
Printed in U.S.A.

FORM NO. 769-00750  
(7/2003)

# TABLE OF CONTENTS

Content	Page	Content	Page
Warranty Information .....	2	Service & Adjustment.....	13
Safe Operation Practices .....	3	Off-Season Storage .....	15
Assembly .....	5	Trouble-Shooting .....	16
Operation .....	7	Parts List .....	20
Maintenance .....	11	Espanol .....	30

## WARRANTY INFORMATION

### Two -Year Warranty on Craftsman Snow Thrower

For two years from the date of purchase, when this Craftsman Snow Thrower is maintained, lubricated and tuned up according to the instructions in the owner's manual, Sears will repair, free of charge, any defect in material and workmanship.

If this Craftsman snow thrower is used for commercial or rental purposes, this warranty applies for only 30 days from the date of purchase.

**This warranty does not cover:**

Expendable items which become worn during normal use, such as skid shoes, shave plate and spark plugs.

Repairs necessary because of operator abuse or negligence, including bent crankshafts and the failure to maintain the equipment according to the instructions contained in the owner's manual.

WARRANTY SERVICE IS AVAILABLE BY RETURNING THE CRAFTSMAN SNOW THROWER TO THE NEAREST SEARS PARTS & REPAIR CENTER IN THE UNITED STATES.

**This warranty applies only while this product is in use in the United States.**

This warranty gives you specific legal rights and you may also have other rights which may vary from state to state.

SEARS, ROEBUCK AND CO., D/817WA, HOFFMAN ESTATES, IL 60179

### Repair Protection Agreements

Congratulations on making a smart purchase. Your new Craftsman® product is designed and manufactured for years of dependable operation. But like all products, it may require repair from time to time. That's when having a Repair Protection Agreement can save you money and aggravation.

Here's what's included in the Agreement:

- ✓ **Expert service** by our 12,000 professional repair specialists
- ✓ **Unlimited service and no charge** for parts and labor on all covered repairs
- ✓ **Product replacement** if your covered product can't be fixed
- ✓ **Discount** of 10% from regular price of service and service-related parts not covered by the agreement; also, 10% off regular price of preventive maintenance check
- ✓ **Fast help by phone** – phone support from a Sears technician on products requiring in-home repair, plus convenient repair scheduling

Purchase a Repair Protection Agreement now and protect yourself from unexpected hassle and expense.

Once you purchase the Agreement, a simple phone call is all that it takes for you to schedule service. You can call anytime day or night, or schedule a service appointment online. Sears has over 12,000 professional repair specialists, who have access to over 4.5 million quality parts and accessories. That's the kind of professionalism you can count on to help prolong the life of your new purchase for years to come. Purchase your Repair Protection Agreement today!

Some limitations and exclusions apply. For prices and additional information call 1-800-827-6655.

**Sears Installation Service**

For Sears professional installation of home appliances, garage door openers, water heaters, and other major home items, in the U.S.A. call 1-800-4-MY-HOME®.

## PRODUCT SPECIFICATIONS

Horsepower: 5  
 Engine Oil: **SAE 5W30** Capacity: **21 oz.**  
 Fuel: **Unleaded Regular** Capacity:  
 Spark Plug: **RJ19LM**  
 Engine: **Craftsman Engine Model 143.045003**

## MODEL NUMBER

Model Number  
 Serial Number.....  
 Date of Purchase .....

Record both serial number and date of purchase and keep in a safe place for future reference.

# IMPORTANT SAFE OPERATION PRACTICES



**WARNING:** This symbol points out important safety instructions which, if not followed, could endanger the personal safety and/or property of yourself and others. Read and follow all instructions in this manual before attempting to operate this machine. Failure to comply with these instructions may result in personal injury. When you see this symbol—**heed its warning.**



**WARNING:** Engine Exhaust, some of its constituents, and certain vehicle components contain or emit chemicals known to State of California to cause cancer and birth defects or other reproductive harm.

**DANGER:** This machine was built to be operated according to the rules for safe operation in this manual. As with any type of power equipment, carelessness or error on the part of the operator can result in serious injury. This machine is capable of amputating hands and feet and throwing objects. Failure to observe the following safety instructions could result in serious injury or death.

## Training

1. Read, understand, and follow all instructions on the machine and in the manual(s) before attempting to assemble and operate. Keep this manual in a safe place for future and regular reference and for ordering replacement parts.
  2. Be familiar with all controls and their proper operation. Know how to stop the machine and disengage these controls quickly.
  3. Never allow children under 14 years old to operate this machine. Those 14 years old and over should read and understand the operation instructions and safety rules in this manual and be trained and supervised by a parent in order to operate this equipment.
  4. Never allow adults to operate this machine without proper instruction.
  5. Thrown objects can cause serious personal injury. Plan your snow throwing pattern to avoid discharge of material toward roads, bystanders and the like.
  6. Keep bystanders, helpers, pets and children at least 75 feet from the machine while it is in operation. Stop machine if anyone enters the area.
  7. Exercise caution to avoid slipping or falling, especially when backing up.
7. Never attempt to make any adjustments while engine is running, except where specifically recommended in the operator's manual.
  8. Let engine and machine adjust to outdoor temperature before starting to clear snow.
  9. To avoid personal injury or property damage use extreme care in handling gasoline. Gasoline is extremely flammable and the vapors are explosive. Serious personal injury can occur when gasoline is spilled on yourself or your clothes which can ignite. Wash your skin and change clothes immediately.
    - a. Use only an approved gasoline container.
    - b. Extinguish all cigarettes, cigars, pipes and other sources of ignition.
    - c. Never fuel machine indoors.
    - d. Never remove gas cap or add fuel while the engine is hot or running.
    - e. Allow engine to cool at least two minutes before refueling.
    - f. Never over-fill fuel tank. Fill tank to no more than ½ inch below bottom of filler neck to provide space for fuel expansion.
    - g. Replace gasoline cap and tighten securely.
    - h. If gasoline is spilled, wipe it off the engine and equipment. Move machine to another area. Wait 5 minutes before starting the engine.
    - i. Never store the machine or fuel container inside where there is an open flame, spark or pilot light (e.g. furnace, water heater, space heater, clothes dryer etc.).
    - j. Allow machine to cool at least 5 minutes before storing.

## Preparation

1. Thoroughly inspect the area where the equipment is to be used. Remove all door mats, newspapers, sleds, boards, wires and other foreign objects which could be tripped over or thrown by the auger/impeller.
2. Always wear safety glasses or eye shields during operation and while performing an adjustment or repair to protect your eyes. Thrown objects which ricochet can cause serious injury to the eyes.
3. Do not operate without wearing adequate winter outer garments. Do not wear jewelry, long scarves or other loose clothing which could become entangled in moving parts. Wear footwear which will improve footing on slippery surfaces.
4. Use a grounded three wire extension cord and receptacle for all units with electric start engines.
5. Adjust collector housing height to clear gravel or crushed rock surfaces.
6. Disengage all bails before starting the engine.

## Operation

1. Do not put hands or feet near rotating parts, in the auger/impeller housing or discharge chute. Contact with the rotating parts can amputate hands and feet.
2. The auger/impeller bail is a safety device. Never bypass its operation. Doing so makes the machine unsafe and may cause personal injury.
3. The bails must operate easily in both directions and automatically return to the disengaged position when released.
4. Never operate with a missing or damaged discharge chute. Keep all safety devices in place and working.

5. Never run an engine indoors or in a poorly ventilated area. Engine exhaust contains carbon monoxide, an odorless and deadly gas.
  6. Do not operate machine while under the influence of alcohol or drugs.
  7. Muffler and engine become hot and can cause a burn. Do not touch.
  8. Exercise extreme caution when operating on or crossing gravel surfaces. Stay alert for hidden hazards or traffic.
  9. Exercise caution when changing direction and while operating on slopes.
  10. Plan your snow throwing pattern to avoid discharge towards windows, walls, cars etc. To avoid property damage or personal injury caused by a ricochet.
  11. Never direct discharge at children, bystanders and pets or allow anyone in front of the machine.
  12. Do not overload machine capacity by attempting to clear snow at too fast of a rate.
  13. Never operate this machine without good visibility or light. Always be sure of your footing and keep a firm hold on the handles. Walk, never run.
  14. Disengage power to the auger/impeller when transporting or not in use.
  15. Never operate machine at high transport speeds on slippery surfaces. Look down and behind and use care if you are backing up.
  16. If the machine should start to vibrate abnormally, stop the engine, disconnect the spark plug and ground it against the engine. Inspect thoroughly for damage. Repair any damage before starting and operating.
  17. Disengage all bails and stop engine before you leave the operating position (behind the handles). Wait until the auger/impeller comes to a complete stop before unclogging the discharge chute, making any adjustments, or inspections.
  18. Never put your hand in the discharge or collector openings. Always use a chute clean-out tool provided to unclog the discharge opening. Do not unclog discharge chute while the engine is running.
  19. Use only attachments and accessories approved by the manufacturer (e.g. wheel weights, tire chains, cabs etc.).
  20. If situations occur which are not covered in this manual, use care and good judgment. Contact your nearest Sears store for assistance or call Customer Service .
5. Snow thrower shave plates and skid shoes are subject to wear and damage. For your safety protection, frequently check all components and replace with original equipment manufacturer's (O.E.M.) parts only. "Use of parts which do not meet the original equipment specifications may lead to improper performance and compromise safety!"
  6. Check all controls periodically to verify they engage and disengage properly and adjust, if necessary. Refer to the adjustment section in this operator's manual for instructions.
  7. Maintain or replace safety and instruction labels, as necessary.
  8. Observe proper disposal laws and regulations for gas, oil, etc. to protect the environment.
  9. Prior to storing, run machine a few minutes to clear snow from machine and prevent freeze up of auger/impeller.
  10. Never store the machine or fuel container inside where there is an open flame, spark or pilot light such as a water heater, furnace ,clothes dryer etc.
  11. Always refer to the operator's manual for proper instructions on off-season storage.

### **Your Responsibility**

Restrict the use of this power equipment to persons who read, understand and follow warnings and instructions in this manual and on the machine.

#### **Do not modify engine**

To avoid serious injury or death, do not modify engine in any way. Tampering with the governor setting can lead to a runaway engine and cause it to operate at unsafe speeds. Never tamper with factory setting of engine governor.

#### **Notice regarding Emissions**

Engines which are certified to comply with California and federal EPA emission regulations for SORE (Small Off Road Equipment) are certified to operate on regular unleaded gasoline, and may include the following emission control systems: Engine Modification (EM) and Three Way Catalyst (TWC) if so equipped.

#### **Engine Identification Decal**

This decal indicates the engine's model number, specification and the date of manufacture. Please look at the decal on the engine of your equipment and record these information for future reference.

The engine identification decal also includes engine life specifications for the emissions-related useful life period of the engine. This period relates to the emission compliance life as certified by EPA and/or CARB. To find the life period specification of the engine, please read the engine decal and locate the letter (enclosed by quotation marks) between the words Moderate and Life Period. Match one of the following letters with the letter printed on your decal. For example, HMSK 80 models are designated as:

"C" — 125 hours

"B" — 250 hours

"A" — 500 hours

### **Maintenance & Storage**

1. Never tamper with safety devices. Check their proper operation regularly.
2. Disengage all bails and stop engine. Wait until the auger/impeller come to a complete stop. Disconnect the spark plug wire and ground against the engine to prevent unintended starting before cleaning, repairing, or inspecting.
3. Check bolts, and screws for proper tightness at frequent intervals to keep the machine in safe working condition. Also, visually inspect machine for any damage.
4. Do not change the engine governor setting or over-speed the engine. The governor controls the maximum safe operating speed of the engine.

# ASSEMBLY

**IMPORTANT:** This unit is shipped with engine oil in the crankcase, but no gasoline. After assembly, see page 8 for fuel and oil fill-up details.

## Removing From Carton

1. Cut the corners of the carton and lay the sides flat on the ground. Remove all packing inserts.
2. Remove (i) plastic bag containing owner's manual, and (ii) electric extension cord.
3. Move the snow thrower out of the carton.
4. Make certain the carton has been completely emptied before discarding it.

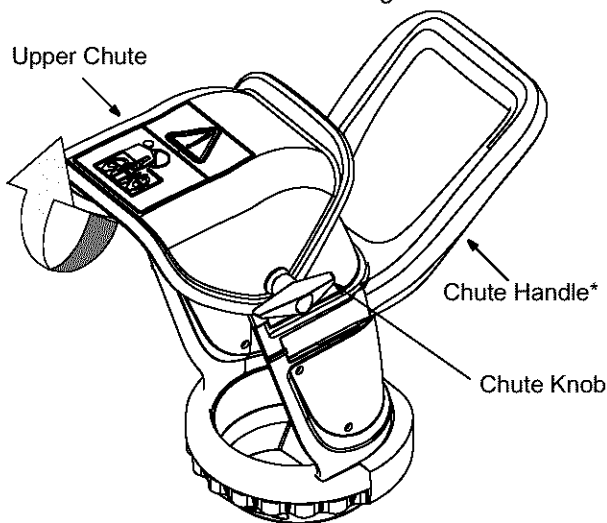
## Before Assembly

**NOTE:** Reference to right, left, front or rear of the unit is from the operating position unless otherwise stated.

- Make sure the **spark plug wire is disconnected** and moved away from the spark plug.
- Cut and remove cable ties holding upper handle to lower chute.

## Setting Up The Handle

1. Loosen the hand knob on the upper chute and pivot the upper chute upwards as far as it will go. Follow the direction of the arrow in Figure 1.



\* Meant only to rotate the chute

Figure 1

**WARNING:** Do not lift the snow thrower by the chute handle.

2. Loosen the handle knob, saddle washer and saddle bracket on each side of the handle. See Figure 2.

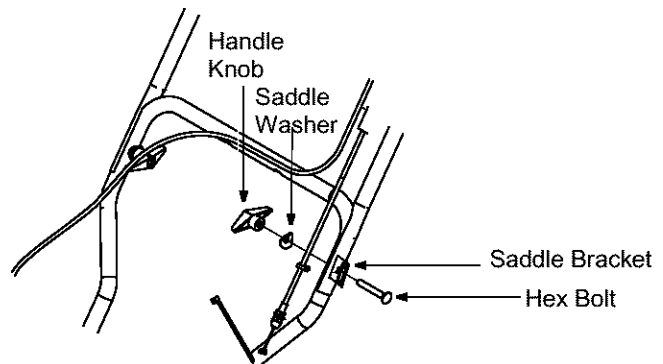


Figure 2

3. Hold both control bails against the upper handle and pull up as shown in Figure 3. Make sure that the upper handle locks over the lower handle and the saddle brackets align with the handle. You may have to carefully maneuver the upper handle to clear the discharge chute.

**CAUTION:** Be careful not to bend or kink the cables.

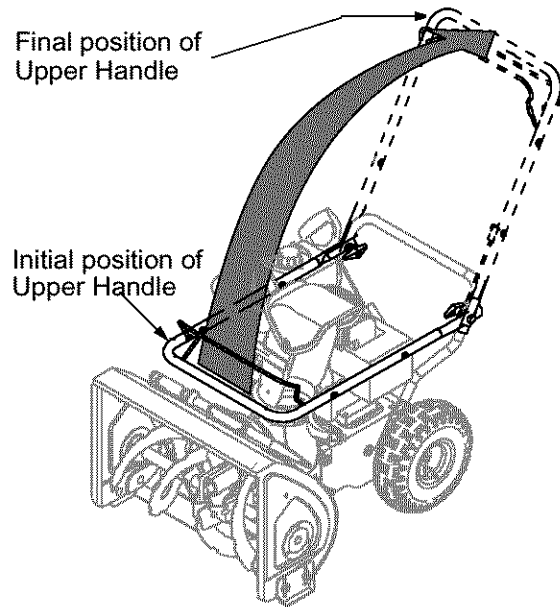


Figure 3

4. Tighten the handle knobs on each side of the handle. Refer to Figure 2.
5. Rotate the chute by the chute handle to the desired operating position.
6. Tighten the hand knob on the upper chute making sure the flat washer and the carriage bolt are correctly positioned. Refer to Figure 1.

## Chute Clean-Out Tool

This tool and the electric extension cord are fastened with a cable tie to the auger housing for shipping. Cut the cable tie and remove extension cord now.

## Final Adjustments

**IMPORTANT:** Check the adjustments as instructed and make any final adjustments necessary *before* operating the unit. Check all nuts and bolts for tightness. Failure to follow these instructions may cause damage to unit.

### Tire Pressure (Pneumatic Tires)

The tires are over-inflated for shipping purposes. Check tire pressure and reduce pressure, if needed, to 10-15 psi. Maintain equal pressure on both wheels of the snow thrower.



**WARNING:** Maximum tire pressure under any circumstance is 15 psi. Equal tire pressure should be maintained at all times. Excessive pressure (over 15 psi) when seating beads may cause tire/rim assembly to burst with force sufficient to cause serious injury

### Skid Shoe

The space between the shave plate and the ground can be adjusted. Refer to Figure 6 for location of shave plate and skid shoes.

For close snow removal, place skid shoes in the low position. When the area to be cleared is uneven, place skid shoes in the middle or high position. See Figure 4.

**NOTE:** *It is not recommended that you operate this snow thrower on gravel as loose gravel can be easily picked up and thrown by the auger causing personal injury or damage to the snow thrower. However, if you have to operate it on gravel, keep the skid shoe in the highest position for maximum clearance.*

1. Adjust skid shoes by loosening two hex nuts and carriage bolts on each skid shoe, and moving the skid shoe to the desired position. See Figure 4 .
2. Make certain the entire bottom surface of skid shoe is against the ground to avoid uneven wear on the skid shoes.
3. Tighten nuts and bolts securely.

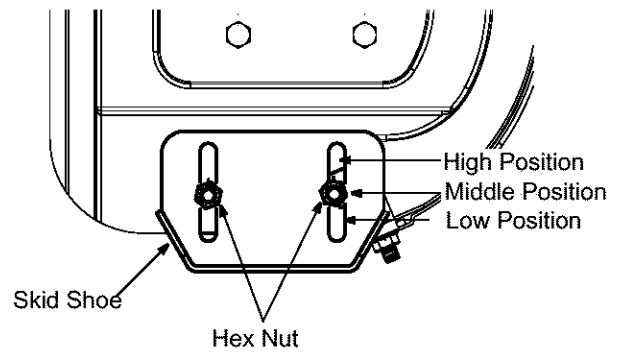


Figure 4

### Drive Cable

1. Make sure that the drive cable is routed parallel to the left upper handle, then across the top of the lower handle and finally parallel to the right lower handle.
2. Three cable ties have been used to loosely tie the two control cables to the lower handle. Two of these cable ties are on each arm, and third on the top cross bar of the lower handle. Tighten these cable ties to secure the cable to the lower handle. See Figure 5 .

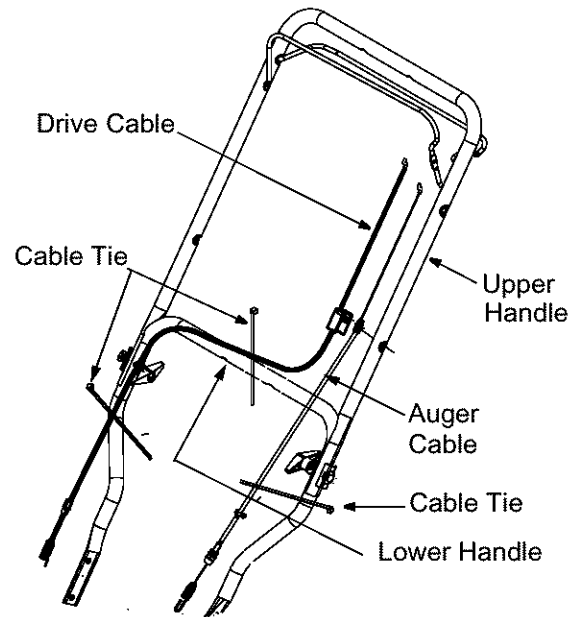


Figure 5

# OPERATION

Read this owner's manual and safety rules before operating your snow thrower. Compare illustration below with your snow thrower to familiarize yourself with the location of various controls and adjustments.

## Operating Controls

(See Figure 6.)

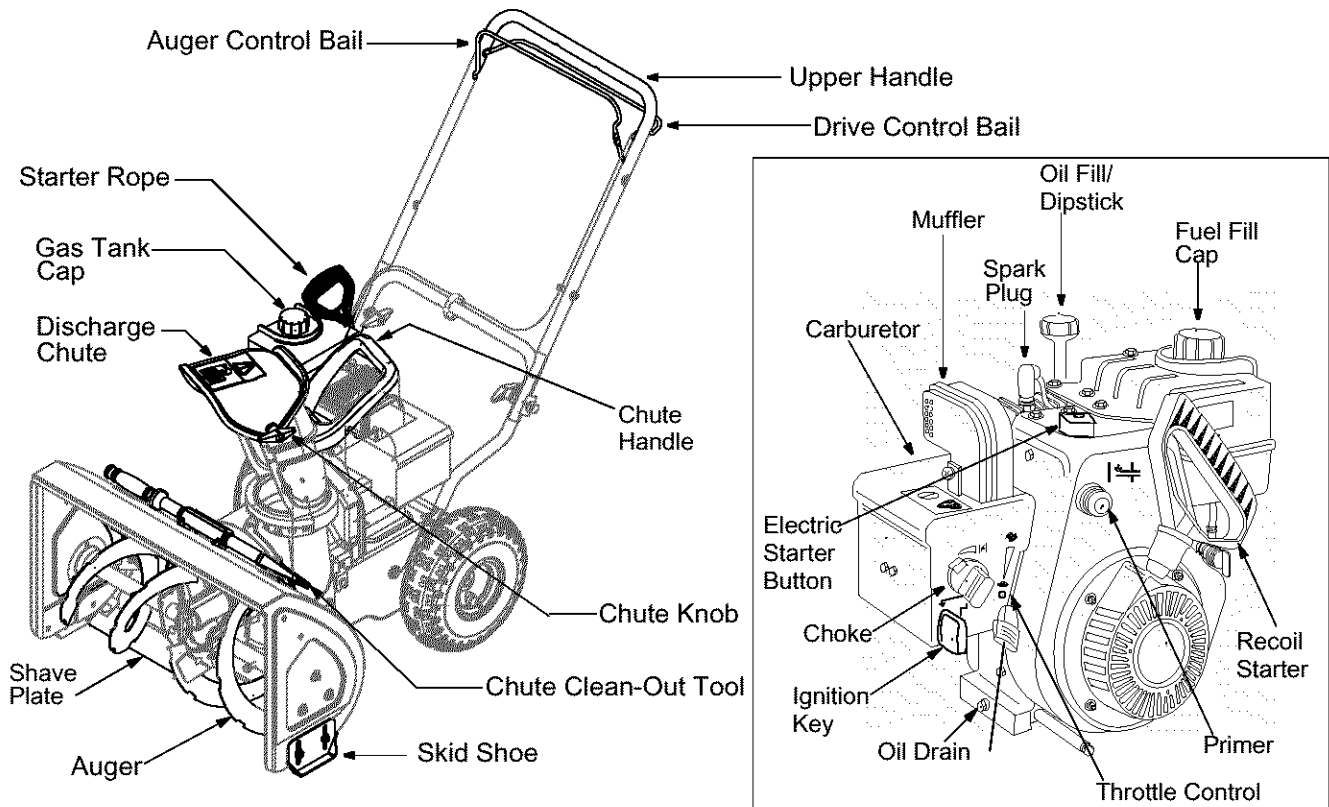


Figure 6

### Drive Control Bail

Located on the underside of the upper handle, the drive control bail is used to engage/disengage wheels. Squeeze the drive control bail against the upper handle to engage the wheels; release to disengage.

### Auger Control Bail

The auger control bail is adjacent to the upper handle. Squeeze this bail against the handle to engage the augers; release to disengage the augers.



**WARNING:** Never make adjustments to the discharge chute unless both auger and drive control bails are disengaged and you are standing beside the equipment.

### Chute Handle

The direction of snow throwing corresponds to the direction of the chute opening. Use the chute handle to turn the chute assembly in the right direction.

### Chute Knob

The distance snow is thrown can be adjusted by raising the upper chute for greater distance, or lowering it for less distance. Loosen the chute knob on the side of the discharge chute to adjust. Pivot the chute to desired position, and retighten the chute knob.

### Throttle Control

The throttle control is located on the engine. It regulates the speed of the engine.

### Ignition Key

Insert ignition key into the ignition switch for the unit to start. Remove the ignition key when the snow thrower is not in use. Do **not** turn the key to start/stop the unit.

### Skid Shoe

The space between the shave plate and the ground can be adjusted. For close snow removal, place skid shoes in the low position. Use middle or high position when area to be cleared is uneven.

## Before Starting Engine

### Engine Oil

The unit is shipped with oil in engine. For subsequent fill-ups, refer to grade specifications on page 11. Follow the steps below before starting engine each time.

1. Remove the dipstick from the oil fill. For location of the oil fill, see Figure 6.
2. Check and make sure that the level of oil is up to the FULL mark on the dipstick.
3. If the oil level is not up to FULL, pour fresh oil slowly through the plug. Replace dipstick and check oil level again.

### Gasoline



**WARNING:** Since gasoline is flammable, use caution when handling or storing it. Do not fill fuel tank while the engine is running, when it is hot or in an enclosed area. Keep your snow thrower away from any open flame or an electrical spark and do not smoke while filling the fuel tank.

**IMPORTANT:** Your snow thrower is equipped with a plastic fuel tank insert for shipping purposes. Please discard it before filling up gasoline for the first time.



- Always use clean, fresh, unleaded grade automotive gasoline.
- Avoid using alcohol blended fuels which can attract moisture and damage fuel system if left in tank during storage. See Off-Season Storage section on page 15.

**CAUTION:** Never use engine or carburetor cleaner products in the fuel tank.

- Fill the fuel tank outdoors and use a funnel or spout to prevent spilling. The gasoline container should be clean and free of rust or other foreign particles.
- Never fill the fuel tank completely. Fill the tank to within 1/4"-1/2" from the top to provide space for expansion of fuel.
- Wipe off any spilled fuel before starting the engine.

## To Start Engine



**WARNING:** Be sure **no one other than the operator** is standing near the snow thrower while starting or operating. **Do not operate** this snow thrower unless the discharge chute assembly has been properly installed.

- For location of engine controls, see Figure 6 .

### A. Electric Starter

The snow thrower engine is equipped with a 120 volt A.C. electric starter and recoil starter. The electric starter is equipped with a three-wire power cord and

plug and is designed to operate on 120 volt AC household current.

### Cold Start

1. Determine whether your house wiring is a three-wire grounded system. Ask a licensed electrician if you are not certain.

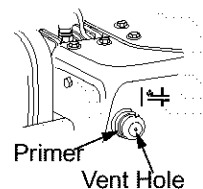


**WARNING:** The electric starter must be properly grounded at all times to avoid the possibility of electric shock to the operator. If your house wiring system is not a three-wire grounded system, do not use this electric starter under any conditions.

2. If your house wiring system is grounded and a three-hole receptacle is not available at the point the snow thrower starter will normally be used, one should be installed by a licensed electrician.

**NOTE:** When connecting the power cord, always connect cord to starter on engine first, then plug the other end into a three-hole grounded 120 Volt receptacle. When disconnecting the power cord, always unplug the end from the three-hole, grounded receptacle first.

3. **Attach** spark plug wire to spark plug.
4. Make sure that the auger control bail and the drive control bail are disengaged.
5. Remove the keys from the plastic bag. Push key into the ignition slot. Do **not** turn the key. Keep second key in a safe place.
6. Move the choke knob to FULL choke position.
7. Move throttle control to the FAST position.
8. Turn fuel valve on, if so equipped.
9. Connect power cord to the switch box on engine.
10. Plug the other end of the power cord into a three-hole, grounded 120 volt A.C. receptacle.
11. Push primer button three times, making sure to cover vent hole when pushing.
12. Push down on the electric starter button until the engine starts. Do not crank for more than 20 seconds at a time. Allow the starter to cool down before cranking again.



**WARNING:** Severe damage to electric starter is possible if you continue to crank for more than 20 seconds without a cool-down.

13. When the engine starts, release the starter button and slowly rotate the choke to OFF position. If the engine falters, rotate the choke to FULL and then gradually to OFF.

**NOTE:** When engaging the electric starter, a slight hesitation of a few seconds may occur before the engine starts to turn. This is normal and is not harmful to the engine.



14. Disconnect the power cord from the receptacle first and then from the switch box on the engine.
15. Allow the engine to warm up for a few minutes because the engine will not develop full power until it reaches operating temperature. Operate at FULL throttle when throwing snow.

### Warm Start

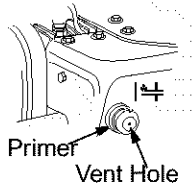
If restarting a warm engine, rotate choke to OFF instead of FULL and press the starter button. Do not push the primer button.

### B. Recoil Starter

Make sure that the auger control bail and the drive control bail are released.

### Cold Start

1. Move throttle control to FAST position.
2. Push key into the ignition slot so that it snaps into place. Do not turn key. Remove plastic bag and keep the second key in a safe place.
3. Rotate choke control to FULL choke position.
4. Push the primer button while covering the vent hole. Remove your finger from the primer between primes. Do not prime if temperature is above 50° F. Prime two times when temperature is between 50°F and 15°F and four times below 15°F.
5. Pull the starter handle rapidly. Do not allow the handle to snap back, but allow it to rewind slowly while keeping a firm hold on the starter handle.
6. As the engine warms up and begins to operate evenly, rotate the choke knob slowly to OFF position. If the engine falters, return to FULL choke, then slowly move to OFF choke position.
7. Allow the engine to warm up for a few minutes because the engine will not develop full power until it reaches operating temperature.
8. Operate the engine at full throttle (FAST) when throwing snow.



**NOTE:** If the starter motor runs but the engine does not turn over, the starter gear may have frozen. Place the snow thrower in a warmer part of the garage till the gear is free of the accumulated ice.

### Frozen Recoil Starter

If the starter is frozen and will not turn the engine, proceed as follows:

1. Pull as much rope out of the starter as possible.
2. Release the starter handle and let it snap back against the starter.
3. If the engine still fails to start, repeat the first two steps. If continued attempts do not free starter, follow the electric starter procedures to start.

Avoid freezing of the recoil starter by referring to instructions in the next column.

### Warm Start

If restarting an engine after a temporary shut-down, rotate choke to OFF instead of FULL and do **not** prime. Pull the starter handle as instructed before.

### Before Stopping

1. Run engine for a few minutes to help dry off any moisture on engine.
2. **To avoid possible freeze-up of the starter**, follow these steps:

#### Recoil Starter

- a. With the engine running, pull the starter rope with a rapid, continuous full arm stroke three or four times.

#### Electric Starter

- a. Connect power cord to switch box, then to 120 Volt AC receptacle.
- b. While the engine is running, push the starter button and spin the starter for several seconds.
- c. Disconnect power cord from the receptacle first, then from the snow thrower.

**NOTE:** The unusual sound from pulling the starter rope or from spinning the starter will not harm the engine.

### To Stop The Snow Thrower

1. While standing in the operator's position (behind the snow thrower), engage the auger control bail for a few seconds to clear any remaining snow and ice from the discharge chute.
2. To stop the wheel, release the drive control bail.
3. To stop throwing snow, release the auger control bail.
4. To stop engine, push throttle control lever to OFF and pull out the key. Do **not** turn key.
5. Wipe off all snow and moisture from the carburetor area and around the engine.



**WARNING:** The temperature of muffler and the surrounding areas may exceed 150° F. Avoid these areas.

### Clearing the Snow

**CAUTION:** Check the area to be cleared for foreign objects. Remove, if any.

1. Start the engine following Starting instructions.
2. Rotate the discharge chute to the desired direction, away from bystanders and/or buildings.
3. Making certain no bystanders or obstacles are in front of the unit, squeeze the auger control bail completely against the upper handle to fully engage the augers.
4. While the auger control handle is engaged, squeeze the drive control bail **completely** against the upper handle to engage the wheels.

5. As the snowthrower starts to move, maintain a firm hold on the handle, and guide the snowthrower along the path to be cleared.
6. Release the bails to stop the snowthrowing action and forward motion.

**NOTE:** *Your unit is equipped with a clutch in the transmission. If the wheels stop turning while trying to discharge large volumes of snow, immediately disengage drive control bail and allow rotating augers to discharge snow from the housing. Continue operation on a narrower stretch with less volume of snow.*

7. On each succeeding pass, readjust the chute deflector to the desired position and slightly overlap the previously cleared path.

## Operating Tips

**NOTE:** *Allow the engine to warm up for a few minutes as the engine will not develop full power until it reaches operating temperature.*

**WARNING:** The temperature of muffler and surrounding areas may exceed 150° F. Avoid these areas.

- For most efficient snow removal, remove snow immediately after it falls.
- Discharge snow downwind whenever possible. Slightly overlap each previous swath.
- Set the skid shoes 1/4" below the scraper bar for normal usage. The skid shoes may be adjusted upward for hard-packed snow.

**NOTE:** *It is not recommended that you operate this snow thrower on gravel as loose gravel can be easily picked up and thrown by the auger causing personal injury and/or damage to the snow thrower.*

- If for some reason, you have to operate the snow thrower on gravel, keep the skid shoe in the highest position for maximum clearance between the ground and the shave plate.
- Clean the snow thrower thoroughly after each use.

## Chute Clean-Out Tool



**WARNING:** Stop engine by removing ignition key and wait for ALL moving parts to stop, before using the chute clean-out tool.

The clean-out tool is conveniently fastened to the rear of the auger housing with a mounting clip. See Figure 7 .

When snow and ice collect in the discharge chute during operation, use this tool to safely clean the chute and chute opening. Follow the steps below to operate it:

1. Release both auger and drive control bails.
2. Stop the engine and remove the ignition key.
3. Remove the clean-out tool from the clip which secures it to the rear of the auger housing. See Figure 7 .
4. Use the shovel-shaped end of the clean-out tool to dislodge and scoop any snow and ice which has formed in and near the discharge chute.



**WARNING:** Never use your hands to clean snow and ice from the discharge chute or auger housing.

5. Re-fasten the chute clean-out tool to the mounting clip on the rear of the auger housing.
6. Reinsert the ignition key and start the snow thrower's engine for more snow cleaning.

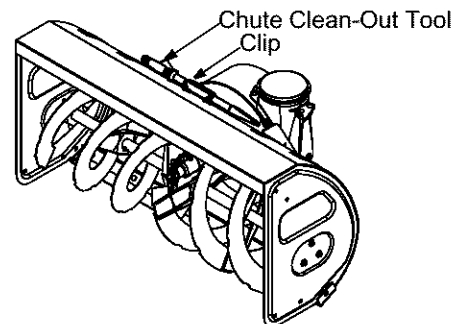


Figure 7

# MAINTENANCE

## General Recommendations

- Always observe safety rules when performing any maintenance.
- The warranty on this snow thrower does not cover items that have been subjected to operator abuse or negligence. To receive full value from the warranty, operator must maintain the snow thrower as instructed in this manual.
- Some adjustments will have to be made periodically to maintain your unit properly.

- All adjustments in the Service and Adjustments section of this manual should be checked at least once each season.
- Follow maintenance schedule on next page.
- Periodically check all fasteners and make sure these are tight.



**WARNING:** Always stop the engine and disconnect the spark plug wire before performing any maintenance or adjustments.

## Maintenance Schedule

Maint. Tasks	Before each use	After each use	After first 2 hours operation	Every 25 hours operation	Every 100 hrs. operation	Once a season	Before storage	Service Dates
<b>Product:</b>								
Lubricate pivot points						✓		
Check V belts				✓				
<b>Engine:</b>								
Check engine oil	✓							
Change engine oil			✓	✓				
Check spark plug					✓			
Replace spark plug						✓		
Empty fuel system							✓	

## Maintaining The Engine

### Engine Oil

Only use high quality detergent oil rated with API service classification SF, SG or SH. Refer to the table below to select oil:

Oil Type	Temperature	Recommended Oil
Straight Grade	Above 32°F	SAE 30W
Multi Grade	0°F to 32°F	SAE 5W30 or SAE 10W
Synthetic	Below 0°F	SAE 0W30

**NOTE:** Although multi-viscosity oils (5W30, 10W30 etc.) improve starting in cold weather, these multi-viscosity oils will result in increased oil consumption when used above 32°F. Check your snow thrower's engine oil level more frequently to avoid possible engine damage from running low on oil.

Refer to the viscosity chart for proper selection of engine oil.

### Checking Oil Level

1. Before operating snow thrower, check the oil level.
2. With engine on level ground, oil must be to FULL mark on dipstick. See Figure 8.

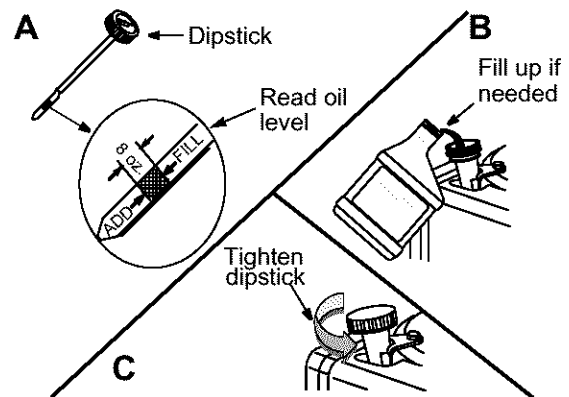


Figure 8

3. Stop engine and wait several minutes before checking oil level. Remove oil fill cap and dipstick.
4. Wipe dipstick clean, insert it into oil fill hole and tighten securely.

- Remove dipstick and check. If oil is not up to the FULL mark on dipstick, add oil.

### Changing Oil

Change engine oil after first two hours of operation and every 25 hours thereafter.

In order to change oil, you will have to first drain the spent engine oil from the engine and then refill with fresh oil.

- Drain oil while engine is warm. Remove oil drain plug located at the bottom of the recoil starter of the engine. Catch oil in a suitable container.
- When engine is drained of all oil, replace drain plug securely.
- Remove the dipstick from the oil fill. For location of the oil fill, see Figure 6. Pour fresh oil slowly through the plug. Replace dipstick.
- Check and make sure that the level of oil is up to the FULL mark on the dipstick.

### Spark Plug

Clean spark plug and reset the electrode gap to 0.030" at least once a season or every 100 hours of operation; replace every 200 hours of operation.

- Clean area around the spark plug base.
- Remove and inspect the spark plug.
- Replace the spark plug if electrodes are pitted, burned, or the porcelain is cracked. See Figure 9.

**NOTE:** Do not sandblast spark plug. Spark plug should be cleaned by scraping or wire brushing and washing with a commercial solvent.

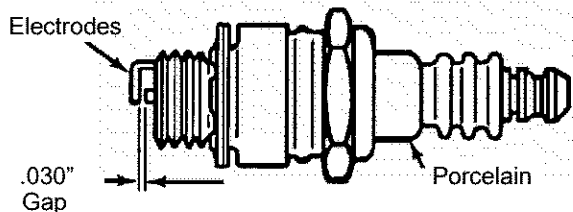


Figure 9

## Lubrication

For a view of the lubrication points on the snow thrower, see Figure 10.

- Lubricate pivot points on the auger control bail and drive control bail with a light engine oil once a season.
- Lubricate the auger idler bracket with a light engine oil once a season.

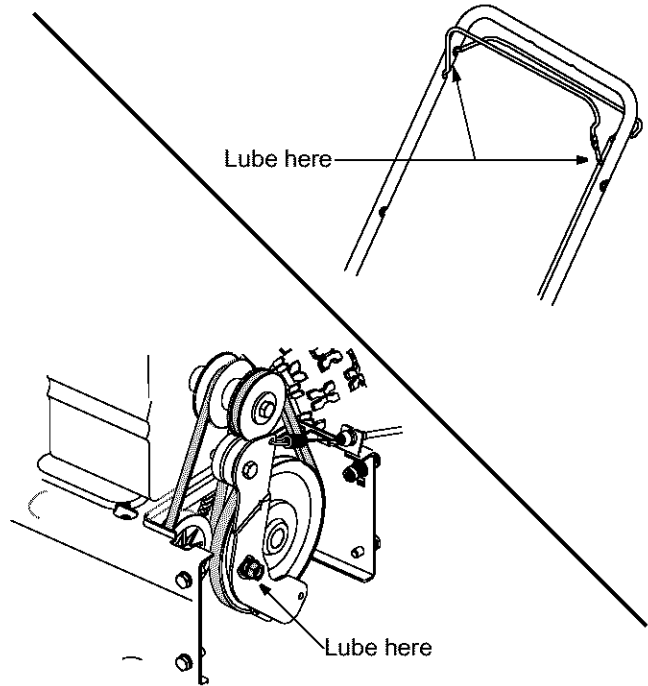


Figure 10

## Check V-Belts

Follow instructions below to check condition of drive belts every 25 hours of operation.

- Remove the plastic belt cover on the front of the engine by removing two self-tapping screws.
- Visually inspect for frayed, cracked, or excessively worn out belts. Replace, if necessary, following instructions on page 13.

# SERVICE & ADJUSTMENTS



**WARNING:** Always stop the engine of the snow thrower, disconnect spark plug wire and move it away from the spark plug before performing any adjustments or repairs.

**WARNING:** Never attempt to clean the discharge chute or make any adjustments while the engine is running.

## Shave Plate & Skid Shoes

The shave plate and skid shoes on the bottom of the snow thrower are subject to wear. They should be checked periodically and replaced when necessary.

1. Remove the four carriage bolts, belleville washers and hex nuts which attach skid shoes to the snow thrower on two sides. See Figure 11 .
2. Reassemble new skid shoes with the four carriage bolts, belleville washers (concave side goes against skid shoes) and hex nuts. Make certain the skid shoes are adjusted to be level.
3. To remove shave plate, remove skid shoe and rest of the hardware including carriage bolts, belleville washers and hex nuts which attach shave plate to the snow thrower housing. For location of shave plate, see Figure 11 .
4. Reassemble new shave plate, making sure heads of the carriage bolts are to the inside of the housing. Reinstall skid shoe. Tighten securely.

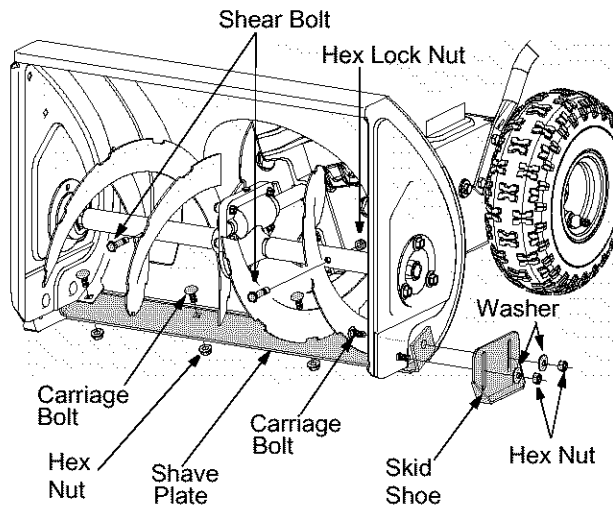


Figure 11

## Augers

The augers are secured to the spiral shaft with two shear bolts and hex lock nuts. See Figure 11 . If you hit a foreign object or ice jam, the snow thrower is designed so that the bolts will shear.

If the augers do not turn, check to see if the bolts have sheared. Replace if necessary. See Figure 11 .

Two replacement shear bolts and hex lock nuts have been provided with the snow thrower. This type of nut is used where vibration occurs. Since lock nuts cannot be threaded onto a bolt by hand, use a wrench. When replacing bolts, spray an oil lubricant into shaft before inserting new bolts.

## Replacing Belts

**NOTE:** There are two belts on this snow thrower: auger belt and drive belt. It is recommended that both belts be replaced at the same time.

1. Remove the spark plug wire from the spark plug and ground it against the engine.
2. Drain gasoline from the gas tank, or place a piece of plastic sheet underneath the gas cap to prevent gasoline leakage.
3. Remove the self-tapping screw shown in Figure 11, and push the belt cover to release the plastic tabs. Pull the belt cover out from around the engine and the chute. Remove it away and save.

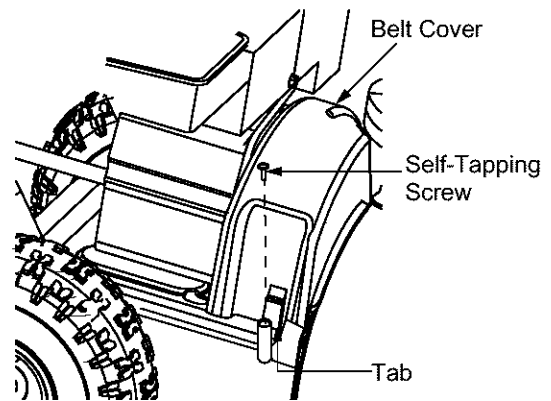


Figure 12

## Auger Belt

1. Slip the front auger belt off the engine pulley pushing it down between the idler bracket and the engine pulley. See Figure 13 .
2. Squeeze the auger control bail to release tension on the auger belt; remove the belt.
3. Replace with new belt **after** replacing the drive belt. Follow instructions in the next page to replace the drive belt.

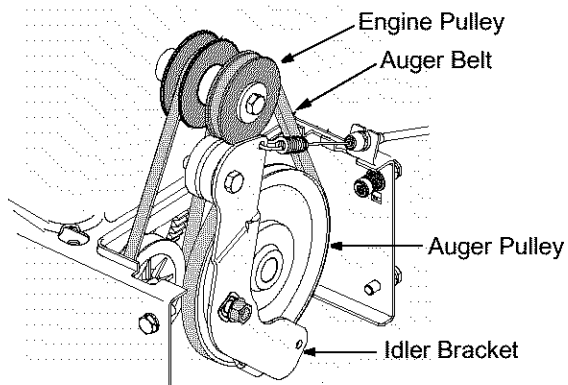
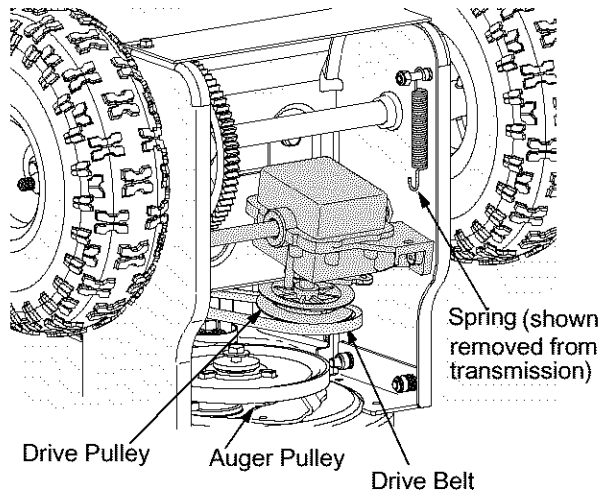


Figure 13

## Drive Belt

**NOTE:** Replace the drive belt before reassembling the new auger belt.

1. Tip the snow thrower up and forward so that it rests on the auger housing.
2. Remove the spring that connects the transmission to a bolt on the engine frame. See Figure 14 .



NOTE: Transmission shown pushed forward

Figure 14

3. Pivot the transmission forward to release pressure on the drive belt.
4. Remove the drive belt from around the engine pulley, and away from the unit.

5. Place the new drive belt into the groove on the engine pulley. See Figure 14 .
6. Tilt the transmission forward and position the drive belt on the drive pulley.
7. Reconnect the spring to the bolt on the engine frame and secure the transmission.
8. Reassemble the belt cover on the snow thrower.

## Adjustments

### Auger Cable

Periodic adjustment to the auger control cable may be required due to normal stretch and wear on the belt. Adjustment is needed if the augers seem to hesitate while turning, but the engine maintains speed.

1. Remove belt cover by pressing the tabs that secure it to the snow thrower housing. Pull the belt cover from around the engine and chute and keep it away. You can now access the auger cable.
2. Tighten two hex nuts on the auger cable towards the spring to increase the tension on the auger belt. See Figure 15 .
3. Reassemble the belt cover.

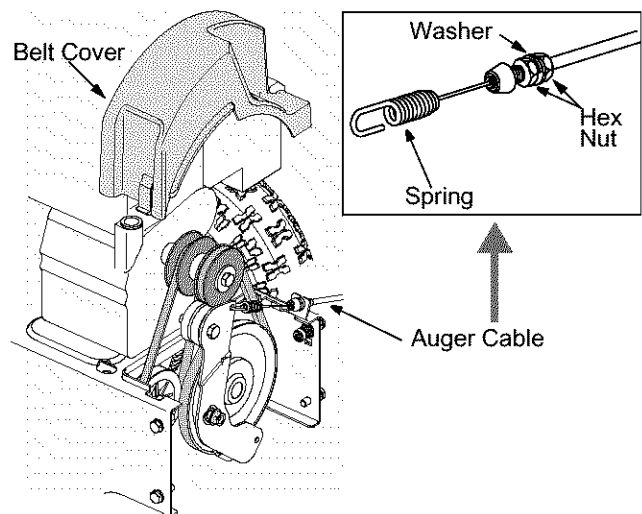


Figure 15

### Skid Shoe

Refer to page 6 for details.

# OFF-SEASON STORAGE

If the snow thrower will not be used for 30 days or longer, or if it is the end of the snow season when the last possibility of snow is gone, the equipment needs to be stored properly. Follow storage instructions below to ensure top performance from the snow thrower for many more years.

## Preparing Engine



**WARNING:** Never store snow thrower with fuel in tank indoors or in poorly ventilated areas, where fuel fumes may reach an open flame, spark or pilot light as on a furnace, water heater, clothes dryer or gas appliance.

**NOTE:** It is important to prevent gum deposits from forming in essential fuel system parts of the engine such as the carburetor, fuel filter, fuel hose or tank during storage.

**CAUTION:** Alcohol blended fuels (called gasohol or using ethanol or methanol) can attract moisture which leads to separation and formation of acids during storage. Acidic gas can damage the fuel system of an engine while in storage.

To avoid engine problems, the fuel system *should be emptied* before storage for 30 days or longer. Follow these instructions to prepare your snow thrower for storage:



**WARNING:** Drain fuel into an approved container outdoors, away from any open flame. Be certain engine is cool. Do not smoke. Fuel left in engine during warm weather deteriorates and will cause serious starting problems.

1. Remove all gasoline from the carburetor and the fuel tank to prevent gum deposits from forming on these parts and harming the engine.
2. Run the engine until the fuel tank is empty and it stops due to lack of fuel.
3. Drain carburetor by pressing upward on bowl drain, located below the carburetor cover. See Figure 16.



**WARNING:** Do not drain carburetor if using fuel stabilizer. Never use engine or carburetor cleaning products in the fuel tank or permanent damage may occur.

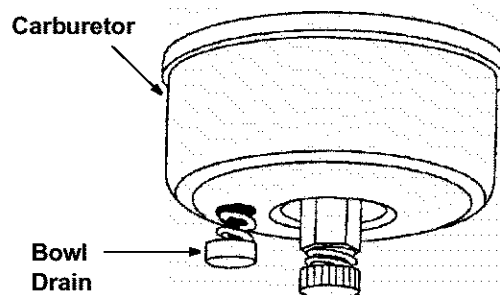


Figure 16

**NOTE:** Fuel stabilizer (such as STA-BIL) is an acceptable alternative in minimizing the formation of fuel gum deposits during storage. Add stabilizer to gasoline in fuel tank or storage container. Always follow mix ratio found on stabilizer container. Run engine at least 10 minutes after adding stabilizer to allow it to reach the carburetor. Do not drain carburetor if using fuel stabilizer.

4. Remove the spark plug and pour one (1) ounce of engine oil through the spark plug hole into the cylinder. Cover spark plug hole with a rag and crank the engine several times to distribute the oil. Replace spark plug.

## Preparing Snow Thrower

1. When storing the snow thrower in an unventilated or metal storage shed, care should be taken to rustproof the equipment. Using a light oil or silicone, coat the equipment, especially any chains, springs, bearings and cables.
2. Remove all dirt from exterior of engine and equipment.
3. Follow lubrication recommendations on page 11.
4. Store equipment in a clean, dry area.

# TROUBLE-SHOOTING

Problem	Possible Cause	Remedy
Engine fails to start	<ol style="list-style-type: none"> <li>1. Fuel tank empty, or stale fuel</li> <li>2. Blocked fuel line</li> <li>3. Choke not ON</li> <li>4. Faulty spark plug</li> <li>5. Key not in ignition switch</li> <li>6. Spark plug wire disconnected</li>   <li>7. Primer not used properly</li> </ol>	<ol style="list-style-type: none"> <li>1. Fill tank with fresh gasoline.</li> <li>2. Clean the fuel line.</li> <li>3. Turn Choke knob to ON position.</li> <li>4. Clean, adjust or replace spark plug.</li> <li>5. Insert the key fully; do not turn.</li> <li>6. Attach spark plug wire to the spark plug on the engine.</li> <li>7. Prime the engine as instructed earlier. If the carburetor is flooded due to over-priming, wait till it dries out.</li> </ol>
Engine runs erratic	<ol style="list-style-type: none"> <li>1. Unit running at FULL choke</li> <li>2. Stale gasoline</li>   <li>3. Water or dirt in fuel system</li> </ol>	<ol style="list-style-type: none"> <li>1. Turn choke knob to OFF position.</li> <li>2. Siphon off existing fuel and fill tank with fresh gasoline.</li> <li>3. Drain fuel tank and carburetor. Fill up with fresh gasoline.</li> </ol>
Engine loses power	<ol style="list-style-type: none"> <li>1. Spark plug wire loose</li> <li>2. Gas cap vent hole plugged</li> </ol>	<ol style="list-style-type: none"> <li>1. Connect spark plug wire.</li> <li>2. Remove ice and snow from gas cap. Be certain that vent hole is clear.</li> </ol>
Excessive vibration	<ol style="list-style-type: none"> <li>1. Loose parts or damaged auger</li> </ol>	<ol style="list-style-type: none"> <li>1. Stop the engine immediately and disconnect spark plug wire. Tighten all bolts and nuts. If vibration continues, contact Sears service center.</li> </ol>
Unit fails to propel itself	<ol style="list-style-type: none"> <li>1. Drive control cable not adjusted</li> <li>2. Drive belt loose or damaged</li> </ol>	<ol style="list-style-type: none"> <li>1. Adjust drive control cable following earlier instructions.</li> <li>2. Replace drive belt.</li> </ol>
Unit fails to discharge snow	<ol style="list-style-type: none"> <li>1. Discharge chute clogged</li>   <li>2. Shear bolt sheared.</li> <li>3. Foreign object lodged in auger</li>   <li>4. Auger control cable out of adjustment</li> <li>5. Auger belt loose or damaged</li> </ol>	<ol style="list-style-type: none"> <li>1. Stop engine and disconnect spark plug wire. Clean discharge chute and inside of auger housing.</li> <li>2. Replace shear bolt.</li> <li>3. Stop engine immediately and disconnect the spark plug wire. Remove object from auger.</li> <li>4. Adjust auger control cable.</li> <li>5. Replace auger belt.</li> </ol>

**NOTE:** This section addresses minor service issues. For further information contact Sears service by calling 1-800-4-MY-HOME®.



# California & US EPA Emission Control Warranty Statement

The U. S. Environmental Protection Agency ("EPA"), the California Air Resources Board ("CARB") and Tecumseh Products Co. are pleased to explain the Federal and California Emission Control Systems Warranty on your new small off-road engine.

In California, new 1995 and later small off-road engines must be designed, built and equipped to meet the State's stringent anti-smog standards. In other states, new 1997 and later model year engines must be designed, built and equipped, at the time of sale, to meet the U.S. EPA regulations for small non-road engines.

Tecumseh Products Co. will warrant the emission control system on your small off-road engine for the periods of time listed below, provided there has been no abuse, neglect, unapproved modification, or improper maintenance of your small off-road engine. Your emission control system may include parts such as the carburetor, ignition system and exhaust system. Also included may be the compression release system and other emission-related assemblies. Where a warrantable condition exists, Tecumseh Products Co. will repair your small off-road engine at no cost to you for diagnosis, parts and labor.

## Manufacturer's Emission Control System Warranty Coverage

Emission control systems on 1995 and later model year California small off-road engines are warranted for two years as hereinafter noted. In other states, 1997 and later model year engines are also warranted for two years. If, during such warranty period, any emission-related part on your engine is defective in materials or workmanship, the part will be repaired or replaced by Tecumseh Products Co.

## Owner's Warranty Responsibilities

As the small off-road engine owner, you are responsible for the performance of the required maintenance listed in your Owner's Manual, but Tecumseh Products Co. will not deny warranty solely due to the lack of receipts or for your failure to provide written evidence of the performance of all scheduled maintenance.

As the small off-road engine owner, you should, however, be aware that Tecumseh Products Co. may deny you warranty coverage if your small off-road engine or a part thereof has failed due to abuse, neglect, improper maintenance or unapproved modifications. You are responsible for presenting your small off-road engine to a Tecumseh Authorized Service Outlet (any Tecumseh Registered Service Dealer, Tecumseh

Authorized Service Distributor or Tecumseh Central Warehouse Distributor) as soon as a problem exists. The warranty repairs should be completed in a reasonable amount of time, not to exceed 30 days.

Warranty service can be arranged by contacting either Authorized Tecumseh Servicing Dealer or by contacting Tecumseh Products Co., c/o Service Manager, Engine and Transmission Group Service Division, 900 North Street, Grafton, WI 53024-1499. Telephone 1-262-377-2700 [or in USA/Canada call 1-800-558-5402] or see your local telephone yellow pages under "Engines, Gasoline" for the name, address and telephone number of a Authorized Tecumseh Servicing Dealer near you.

## Important Note

This warranty statement explains your rights and obligations under the Emission Control System Warranty ("ECS Warranty") which is provided to you by Tecumseh Products Co. pursuant to California law. Tecumseh Products Co. also provides to original purchasers of new Tecumseh Products Co. engines. The Tecumseh Products Co. Limited Warranties for New Tecumseh Engine and Electronic Ignition Modules ("Tecumseh Products Co. Warranty") which is enclosed with all new Tecumseh Products Co. engines on a separate sheet.

The ECS Warranty applies only to the emission control system of your new engine. To the extent that there is any conflict in terms between the ECS Warranty and the Tecumseh Products Co. Warranty, the ECS Warranty shall apply except in any circumstances in which the Tecumseh Products Co. Warranty may provide a longer warranty period. Both the ECS Warranty and the Tecumseh Products Co. Warranty describe important rights and obligations with respect to your new engine.

Warranty service can only be performed by a Tecumseh Products Co. Authorized Servicing Dealer. At the time of requesting warranty service, evidence must be presented of the date of sale to the original purchaser. The purchaser shall pay any charges for making service calls and/or for transporting the products to and from the place where the inspection and/or warranty work is performed. The purchaser shall be responsible for any damage or loss incurred in connection with the transportation of any engine or any part(s) thereof submitted for inspection and/or warranty work.

If you have any questions regarding your warranty rights and responsibilities, you should contact Tecumseh Products Co. at 1-262-377-2700 or in USA/Canada call 1-800-558-5402.

# Emission Control System Warranty

Emission Control System Warranty ("ECS Warranty") for 1995 and later model year California small off-road engines (for other states, 1997 and later model year engines):

**A. APPLICABILITY:** This warranty shall apply to 1995 and later model year California small off-road engines (for other states, 1997 and later model year engines). The ECS Warranty Period shall begin on the date the new engine or equipment is delivered to its original, end-use purchaser, and shall continue for 24 consecutive months thereafter.

**B. GENERAL EMISSIONS WARRANTY COVERAGE:**

Tecumseh Products Co. warrants to the original, end-use purchaser of the new engine or equipment and to each subsequent purchaser that each of its small off-road engines is:

1. Designed, built and equipped so as to conform with all applicable regulations adopted by the Air Resources Board pursuant to its authority in Chapters 1 and 2, Part 5, Division 26 of the Health and Safety Code, and
2. Free from defects in materials and workmanship which, at any time during the ECS Warranty Period, will cause a warranted emissions-related part to fail to be identical in all material respects to the part as described in the engine manufacturer's application for certification.

C. The ECS Warranty only pertains to emissions-related parts on your engine, as follows:

1. Any warranted, emissions-related parts which are not scheduled for replacement as required maintenance in the Owner's Manual shall be warranted for the ECS Warranty Period. If any such part fails during the ECS Warranty Period, it shall be repaired or replaced by Tecumseh Products Co. according to Subsection 4 below. Any such part repaired or replaced under the ECS Warranty shall be warranted for any remainder of the ECS Warranty Period.

2. Any warranted, emissions-related part which is scheduled only for regular inspection as specified in the Owner's Manual shall be warranted for the ECS Warranty Period. A statement in such written instructions to the effect of "repair or replace as necessary", shall not reduce the ECS Warranty Period. Any such part repaired or replaced under the ECS

Warranty shall be warranted for the remainder of the ECS Warranty Period.

3. Any warranted, emissions-related part which is scheduled for replacement as required maintenance in the Owner's Manual, shall be warranted for the period of time prior to the first scheduled replacement point for that part. If the part fails prior to the first scheduled replacement, the part shall be repaired or replaced by Tecumseh Products Co. according to Subsection 4 below. Any such emissions-related part repaired or replaced under the ECS Warranty, shall be

warranted for the remainder of the ECS Warranty Period prior to the first scheduled replacement point for such emissions-related part.

4. Repair or replacement of any warranted, emissions-related part under this ECS Warranty shall be performed at no charge to the owner at a Tecumseh Authorized Service Outlet.

5. The owner shall not be charged for diagnostic labor which leads to the determination that a part covered by the ECS Warranty is in fact defective, provided that such diagnostic work is performed at a Tecumseh Authorized Service Outlet.

6. Tecumseh Products Co. shall be liable for damages to other original engine components or approved modifications proximately caused by a failure under warranty of an emission-related part covered by the ECS Warranty.

7. Throughout the ECS Warranty Period, Tecumseh Products Co. shall maintain a supply of warranted emission-related parts sufficient to meet the expected demand for such emission-related parts.

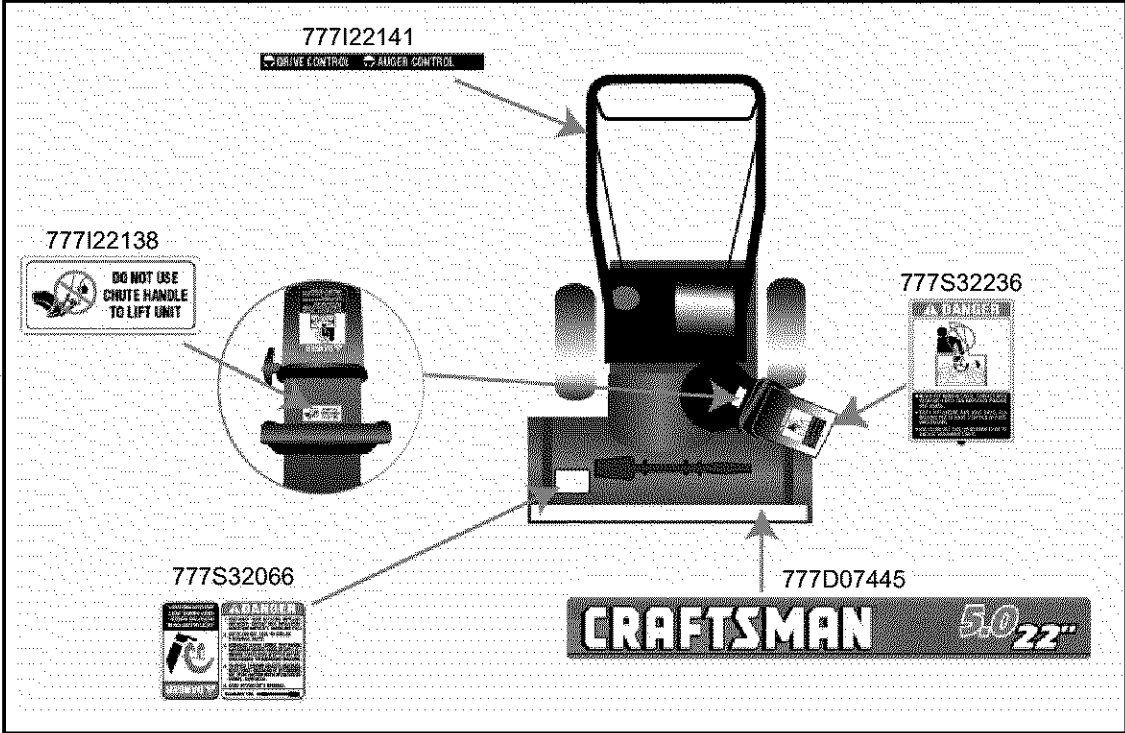
8. Any Tecumseh Products Co. authorized and approved emission-related replacement part may be used in the performance of any ECS Warranty maintenance or repair and will be provided without charge to the owner. Such use shall not reduce Tecumseh Products Co. ECS Warranty obligations.

9. Unapproved add-on or modified parts may not be used to modify or repair a Tecumseh Products Co. engine. Such use voids this ECS Warranty and shall be sufficient grounds for disallowing an ECS Warranty claim. Tecumseh Products Co. shall not be liable hereunder for failures of any warranted parts of a Tecumseh Products Co. engine caused by the use of such an unapproved add-on or modified part.

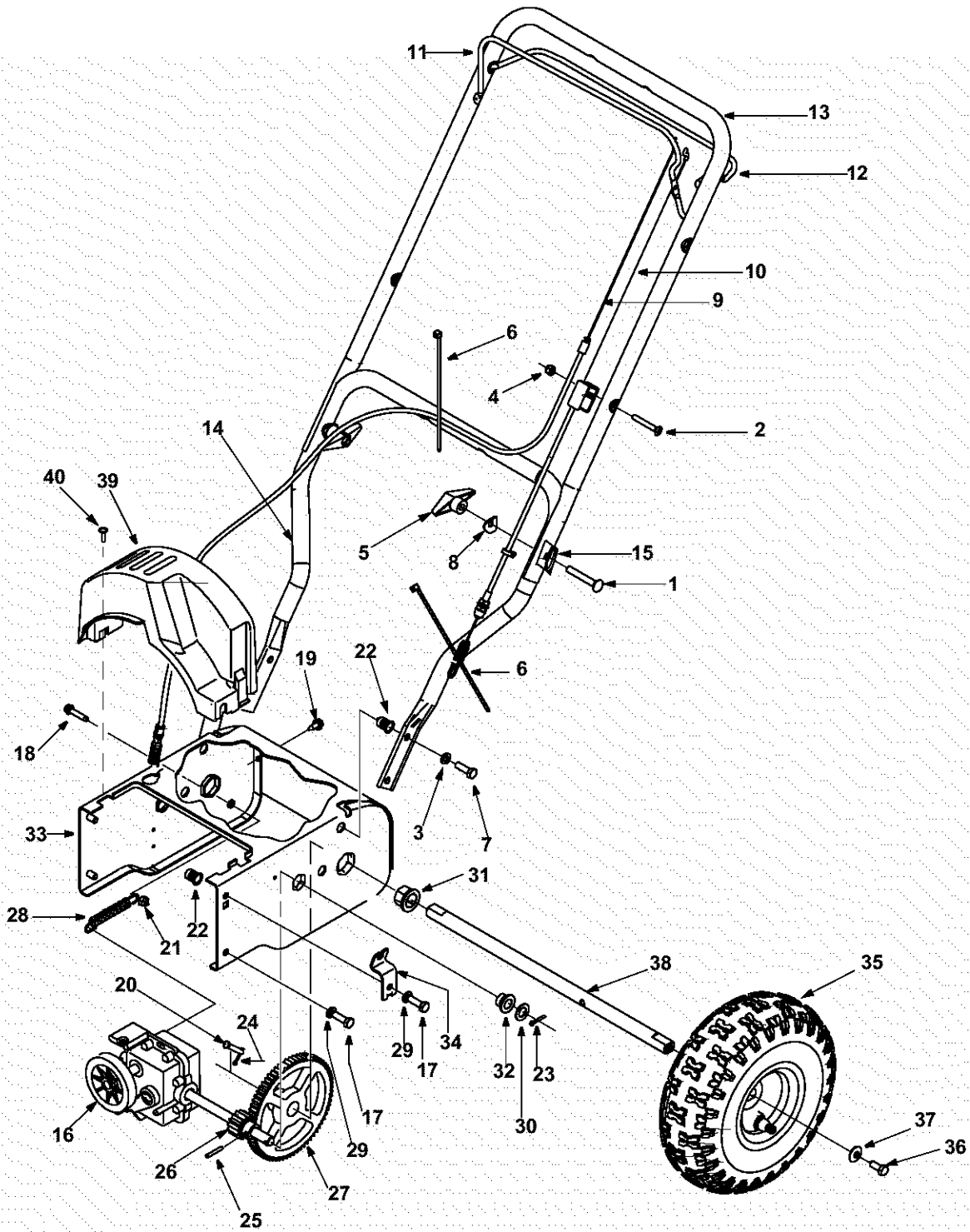
## Emission-Related Parts include the following:

1. Carburetor Assembly and its Internal Components
  - a. Fuel filter
  - b. Carburetor gaskets
  - c. Intake pipe
2. Air Cleaner Assembly
  - a. Air filter element
3. Ignition System, including:
  - a. Spark plug
  - b. Ignition module
  - c. Flywheel assembly
4. Catalytic Muffler (if so equipped)
  - a. Muffler gasket (if so equipped)
  - b. Exhaust manifold (if so equipped)
5. Crankcase Breather Assembly and its Components
  - a. Breather connection tube

# Safety & Decorative Labels: Location and Part Number



# PARTS LIST

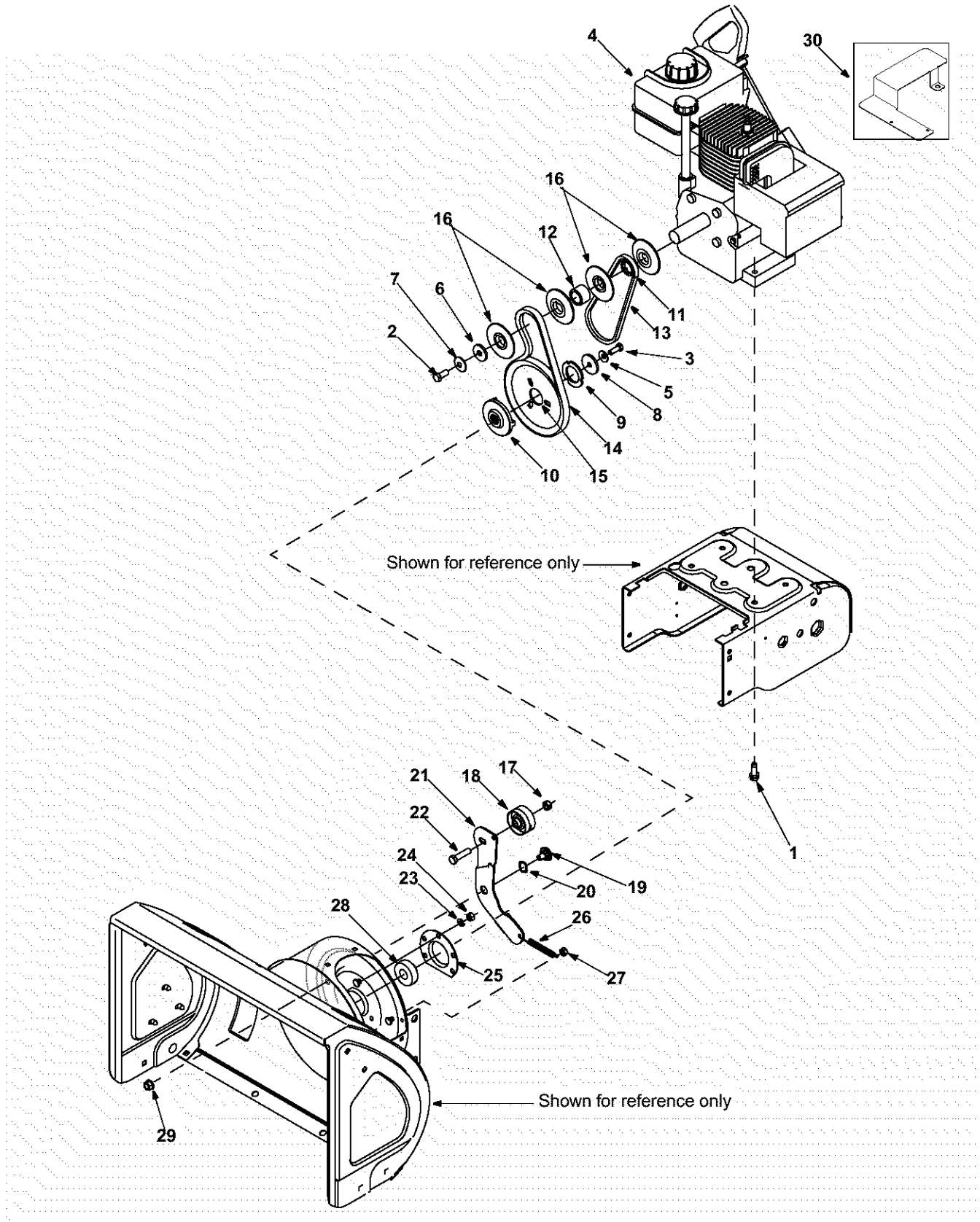


## Craftsman Snow Thrower Model 247.887000

### 731-04216A CABLE FITTING

Key No.	Part No.	Description	Key No.	Part No.	Description
1.	710-0449	Carriage Screw 5/16-18 x 2.25"	21.	712-0324	Hex Lock Nut 1/4-20
2.	710-0605	Mach. Screw 1/4-20 x 1.825"	22.	712-0703A	Nut Insert
3.	710-0643	Hex Bolt 5/16-18 x 1.0"	23.	714-0474	Cotter Pin
4.	712-0324	Hex Lock Nut 1/4-20	24.	714-0507	Cotter Pin
5.	720-0284	Handle Knob Assembly	25.	715-0249	Roll Pin
6.	725-0157	Cable Tie	26.	717-04066	Pinion 14T
7.	736-0119	Lock Washer	27.	717-04073	Gear 70T
8.	736-0451	Saddle Washer	28.	732-0429A	Extension Spring
10	746-04007	Auger Cable	29.	736-0119	Lock Washer
9	746-04008	Drive Cable	30.	736-0192	Flat Washer
11.	747-1161A	Operator Bail	31.	741-0245	Hex Flange Bearing
12.	747-1214	Drive Bail	32.	741-0324	Hex Flange Bearing
13.	749-1092A	Upper Handle	33.	784-0419	Drive Housing Frame
14.	749-1532	Lower Handle	34.	790-00015	Bracket: Auger Cable
15.	790-00053	Handle Tab	35.	634-0232	Wheel Assembly: Snow Hog Gray
16.	618-04008	Transmission Assembly	36.	710-0627	Lock Bolt 5/16-24 x 0.75"
17.	710-0643	Hex Bolt 5/16-18 x 1.0"	37.	736-0242	Belt Washer
18.	710-0809	TT Screw 1/4-20 x 1.25"	38.	738-1231	Axle
19.	710-1652	TT Screw 1/4-20 x .625"	39.	731-04162	Belt Cover
20.	711-1364	Clevis Pin	40.	710-1003	Self-Tapping Screw

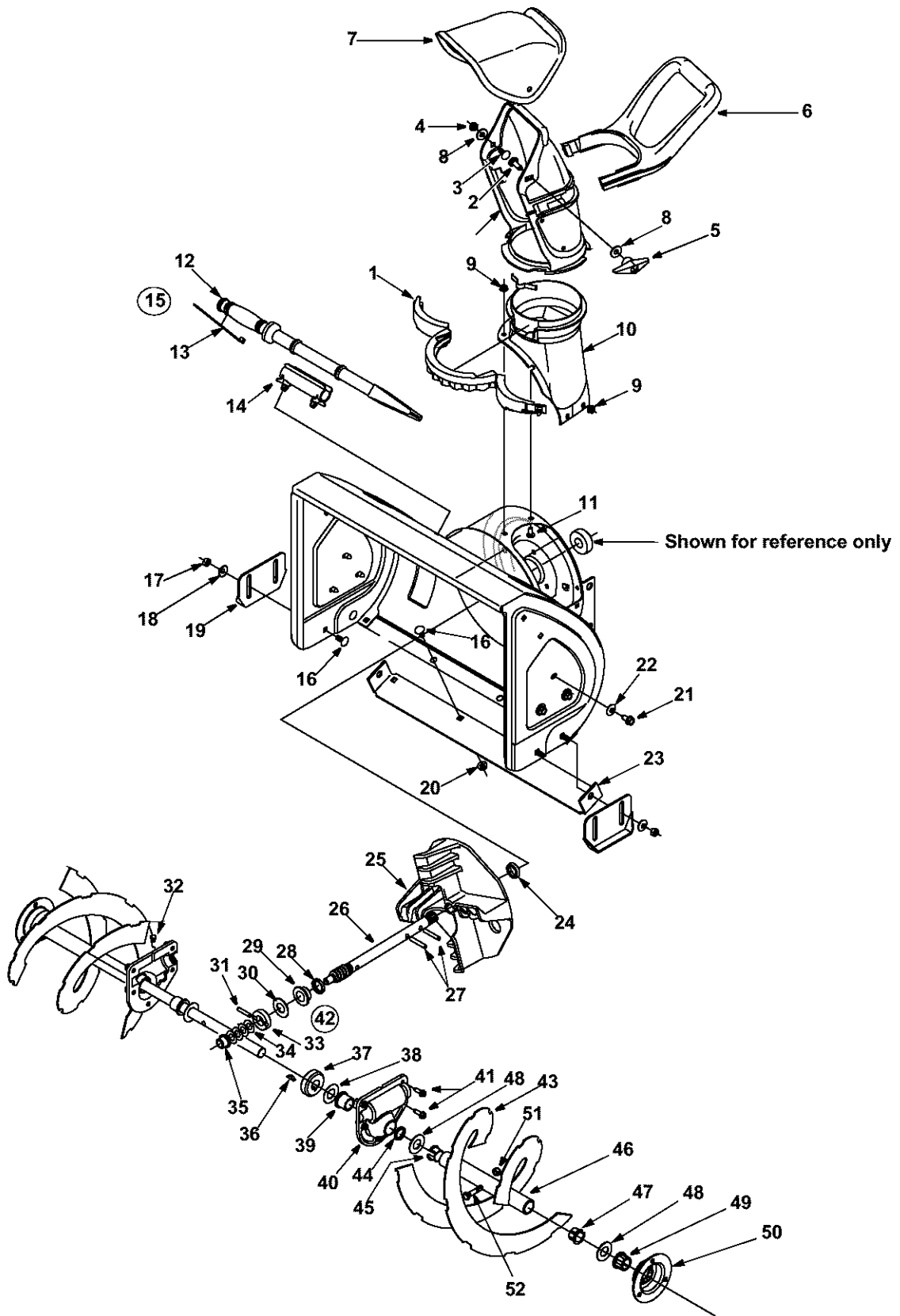
# Craftsman Snow Thrower Model 247.887000



## Craftsman Snow Thrower Model 247.887000

Key No.	Part No.	Description
1.	710-0654A	TT Sems Scr. 3/8-16 x 1.0"
2.	710-0696	Hex Bolt 3/8-24 x 0.875"
3.	710-1245B	Lock Bolt 5/16-24 x 0.875"
4.	143.045003	Engine
5.	736-0242	Bell Washer
6.	736-0247	Flat Washer
7.	736-0331	Bell Washer
8.	736-0505	Flat Washer
9.	736-0507	Special Washer
10.	748-0360	Pulley: Adapter
11.	750-1355	Spacer
12.	750-1356	Spacer
13.	754-04013	V-Belt
14.	754-04014	V-Belt
15.	756-04024	Auger Pulley
16.	756-0569	Pulley Half
17.	712-3000	Hex Lock Nut 3/8-16
18.	756-04035	Flat Idler
19.	738-0281	Shoulder Screw 3/8-16
20.	736-0174	Wave Washer
21.	784-0434	Auger Idler Bracket
22.	710-0520	Hex Bolt 3/8-16 x 1.50"
23.	736-0119	Lock Washer 5/16
24.	712-3010	Hex Nut 5/16-18
25.	05931A	Bearing Housing
26.	732-0611	Extension Spring
27.	712-3068	Patch Nut
28.	741-0309	Ball Bearing
29.	712-0431	Flange Lock Nut
30.	787-01165	Heat Shield: Muffler Guard

# Craftsman Snow Thrower Model 247.887000

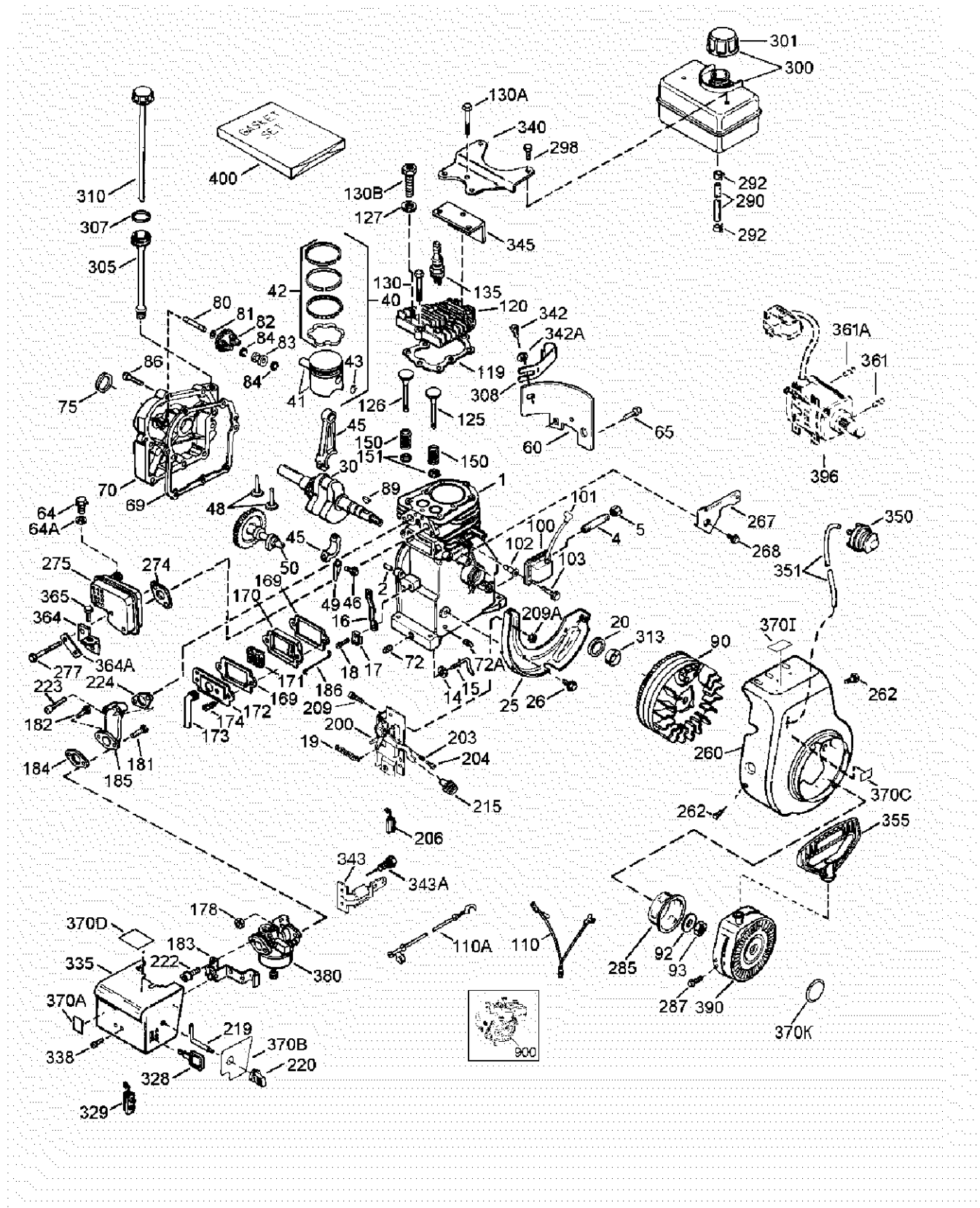




## Craftsman Snow Thrower Model 247.887000

Key No.	Part No.	Description	Key No.	Part No.	Description
1.	684-04037	Chute Assembly	28.	721-0327	Oil Seal
2.	710-04071	Carriage Bolt 5/16-18 x 1.0"	29.	741-0662	Flange Bearing
3.	710-0451	Carriage Bolt 5/16-18 x 0.750"	30.	736-0445	Flat Washer
4.	712-3068	Patch Nut	31.	715-0143	Spiral Pin
5.	720-0284	Chute Knob Assembly	32.	721-0325	Plug
6.	731-04388	Chute Handle	33.	718-0186	Thrust Collar
7.	731-04426	Upper Chute	34.	736-0369	Flat Washer
8.	736-0159	Washer	35.	741-0663	Flange Bearing
9.	712-3027	Lock Nut 1/4-20	36.	714-0161	Key
10.	731-2636	Lower Chute	37.	717-0528A	Worm Gear 20T
11.	710-0134	Carriage Screw 1/4-20 x 0.62"	38.	736-0351	Flat Washer
12.	731-2643	Chute Clean-out Tool	40.	618-0124	Reducer Housing Assembly LH
13.	725-0157	Cable Tie		618-0123	Reducer Housing Assembly RH
14.	731-2635	Mounting Bracket: Chute Tool	41.	710-0642	TT Screw 1/4-20 x 0.75"
15.	831-060000	Chute Clean-Out Tool Assy. Comp.	42.	618-04055	Gearbox Assembly: Auger (includes # 28 through 41)
16.	710-0451	Carriage Bolt 5/16-18 x 0.75"	43.	684-04021	Spiral Assembly LH
17.	712-3010	Hex Nut 5/16-18		684-04020	Spiral Assembly RH
18.	736-0242	Beleville Washer	44.	721-0179	Oil Seal
19.	784-5580	Skid Shoe	45.	741-0493A	Flange Bushing
20.	712-3004A	Flange Lock Nut	46.	711-1020A	Axle: Auger 22"
21.	710-0726	AB Screw 5/16-12	47.	741-0493A	Flange Bushing
22.	736-0242	Bell Washer	48.	736-0188	Flat Washer
23.	784-5576	Shave Plate: 21.66"	49.	741-0245	Hex Flange Bearing
24.	750-04191	Spacer	50.	784-5618	Hex Bearing: Housing
25.	731-04218	Impeller	51.	712-0429	Hex Lock Nut 5/16-18
26.	717-1772	Worm Shaft	52.	710-0890A	Shear Bolt 5/16-18 x 1.5"
27.	715-0114	Spiral Pin			

# Craftsman 5 hp. Engine 143.045003 for Snow Thrower Model 247.887000



## Craftsman 5 hp. Engine 143.045003 for Snow Thrower Model 247.887000

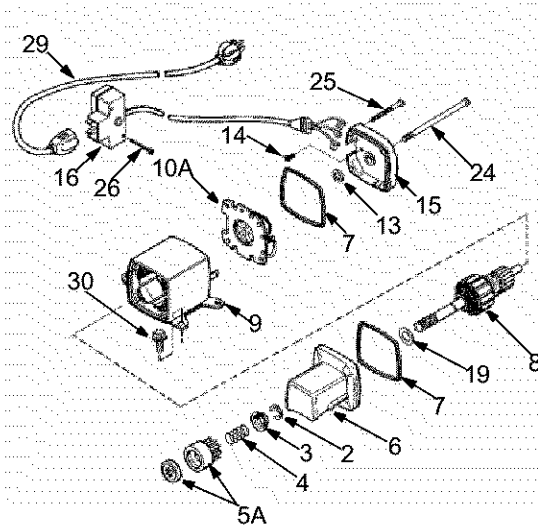
Key No.	Part No.	Description	Key No.	Part No.	Description
1	36469A	Cylinder (Incl. 2,20,72,72A & 125)	100	34443C	Solid State Ignition
2	26727	Dowel Pin	101	610118	Spark Plug Cover
4	—	Oil Drain Extension (purchase locally)	102	651024	Solid State Mounting Stud
5	30969	Extension Cap	103	651007	Screw, T-15, 10-24 x 15/16"
14	28277	Washer	110	35182	Ground Wire
15	31334	Governor Rod	110A	36874	Ground Wire
16	37729	Governor Lever	119	36443	Cylinder Head Gasket
17	31335	Governor Lever Clamp	120	37675	Cylinder Head (Incl. 131)
18	651018	Screw, T-15, 8-32 x 19/64"	125	36471	Exhaust Valve (Std.) (Incl. 151)
19	30342	Extension Spring	125	36472	Exhaust Valve (1/32" OS) (Incl. 151)
20	32600	Oil Seal	126	32644A	Intake Valve (Std.) (Incl. 151)
25	36552	Blower Housing Baffle (Incl. 262)	127	650691	Washer
26	650802	Screw, 1/4-20 x 5/8"	130	6021A	Screw, 5/16-18 x 1-1/2"
30	37842	Crankshaft	130A	650694A	Screw, 5/16-18 x 2"
40	36073	Piston, Pin & Ring Set (Std.)	130B	650818	Screw, 5/16-18 x 1-1/2"
40	36074	Piston, Pin & Ring Set (.010" OS)	135	35395	Resistor Spark Plug (RJ19LM)
40	36075	Piston, Pin & Ring Set (.020" OS)	150	31672	Valve Spring
41	36070	Piston & Pin Ass'y. (Std.) (Incl. 43)	151	31673	Valve Spring Cap
41	36071	Piston & Pin Ass'y. (.010" OS) (Incl. 43)	169	27234A	Valve Cover Gasket
41	36072	Piston & Pin Ass'y. (.020" OS) (Incl. 43)	170	27666	Breather Body
42	36076	Ring Set (Std.)	171	31410	Breather Element
42	36077	Ring Set (.010" OS)	172	34146	Valve Cover
42	36078	Ring Set (.020" OS)	173	35350	Breather Tube
43	20381	Piston Pin Retaining Ring	174	650783	Screw, 10-24 x 3/4"
45	32875A	Connecting Rod Ass'y. (Incl. 46 & 49)	178	29752	Nut & Lock Washer, 1/4-28"
46	32610A	Connecting Rod Bolt	181	650870	Screw, 1/4-28 x 1-11/16"
48	27241	Valve Lifter	182	6201	Screw, 1/4-28 x 7/8"
49	32654	Oil Dipper	183	34583A	Choke Bracket
50	33158	Camshaft (BCR)	184	26756	Carburetor To Intake Pipe Gasket
60	29745	Blower Housing Extension	185	33691	Intake Pipe
64	30063	Screw, T-30, 1/4-20 x 1/2"	186	32698	Governor Link
64A	8345	Washer	200	36677	Control Bracket (Incl. 203 thru 209A)
65	650128	Screw, 10-24 x 1/2"	203	31342	Compression Spring
69	27677A	Cylinder Cover Gasket	204	651029	Screw, T-10, 5-40 x 7/16"
70	34674C	Cylinder Cover (Incl. 75 thru 83)	206	610973	Terminal
72	27642	Oil Plug	209	650139	Screw, 8-32 x 3/4"
72A	28582	Oil Drain Plug	209A	30322	Nut & Lock Washer
75	27897	Oil Seal	215	35440	Control Knob
80	30574A	Governor Shaft	219	34582	Choke Rod
81	30590A	Washer	220	35438	Choke Knob
82	30591	Governor Gear Assembly (Incl. 81)	222	28820	Screw, 10-32 x 1/2"
83	30588A	Governor Spool	223	650664	Screw, 1/4-20 x 1-19/32"
86	650488	Screw, 1/4-20 x 1-1/4"	224	33673A	Intake Pipe Gasket
89	610961	Flywheel Key	260	35656A	Blower Housing
90	611199	Flywheel (W/Ring Gear)	262	650737	Screw, 1/4-20 x 1/2"
92	650815	Belleville Washer	267	34212	Hold Down Bracket
93	650816	Flywheel Nut	268	30200	Screw, 10-24 x 9/16"

## Craftsman 5 hp. Engine 143.045003 for Snow Thrower Model 247.887000

Key No.	Part No.	Description	Key No.	Part No.	Description
274	33670A	Exhaust Gasket	343A	651060	Screw, 10-32 x 23/64"
275	35771A	Muffler (Incl. 274)	345	33344	Heat Baffle
277	792005	Screw, 1/4-20 x 2-27/64"	350	570682A	Primer Assembly
285	36467A	Starter Cup	351	32180C	Primer Line
287	650926	Screw, 8-32 x 21/64"	355	590574	Starter Handle (Mitten Grip)
290	30705	Fuel Line	361	650738	Screw, 1/4-20 x 5/8"
292	26460	Fuel Line Clamp	361A	650561	Screw, 1/4-20 x 19/32"
298	650665	Screw, 1/4-15 x 3/4"	364	33333	Carburetor Cover Bracket
300	35584	Fuel Tank (Incl. 292 & 301)	364A	37673	Locking Plate
301	35355	Fuel Cap	365	650735	Screw, 10-24 x 3/8"
305	35554	Oil Fill Tube	370A	36261	Instruction Decal
307	35499	O-Ring	370B	35282	Speed Control Decal
308	35539	Fill Tube Clip	370C	36501	Primer Decal
310	35556	Dipstick	370D	35878	Warning Decal
313	34080	Spacer	370I	36534	Warning Decal
328	35593	Ignition Key	370K	36695	Starter Decal
329	610973	Terminal	380	640084B	Carburetor (Incl. 184)
335	35072	Carburetor Cover	390	590742	Rewind Starter*
338	650257	Screw, 8-32 x 5/16"	396	33290E	Electric Starter Motor (120 Volt)
340	36247	Fuel Tank Bracket	400	36444	Gasket Set (Incl. Items Marked PK in Notes)
342	30063	Screw, T-30, 1/4-20 x 1/2"	900	—	Rep. Engine
342A	650765	Washer	900	754337	Rep. Short Block
343	35079A	Key Switch Bracket (Incl. 343A)			

\* Note: This engine could have been built with the 590707 starter

### Electric Starter 33290E

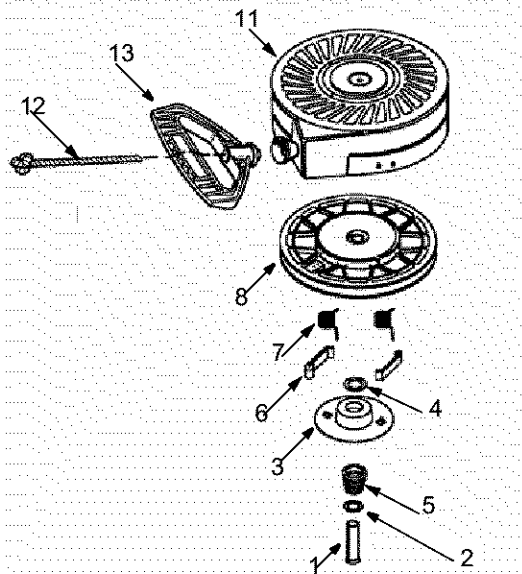


Key No.	Part No.	Description
2	31749	Retainer Ring
3	33522	Spring Retainer
4	33769	Anti-Drift Spring
5A	37332	Nut & Gear (Incl. 2)
6	35461	Drive End Cap Ass'y. (Incl. 7)
7	35450	"O" Ring
8	35912	Armature
9	—	Housing Ass'y. *
10A	35452A	Brush & Spring Card Ass'y.
13	590500	Thrust Washer
14	33441	Ground Screw
15	35453	Commutator End Cap Ass'y. (Incl. 7)
16	35454	Switch Box Ass'y.
19	35911	Thrust Washer
24	35462	Case Bolt
25	35456	Grounding Screw
26	650819	Screw, 6-32 x 2-1/2"
26	651032	Screw, 12-16 x 5/8"
29	32450B	Extension Cord (10'6")
30	650759	Screw, Torx T-30, 1/4-20 x 23/32"

\* NOTE: Must purchase complete motor

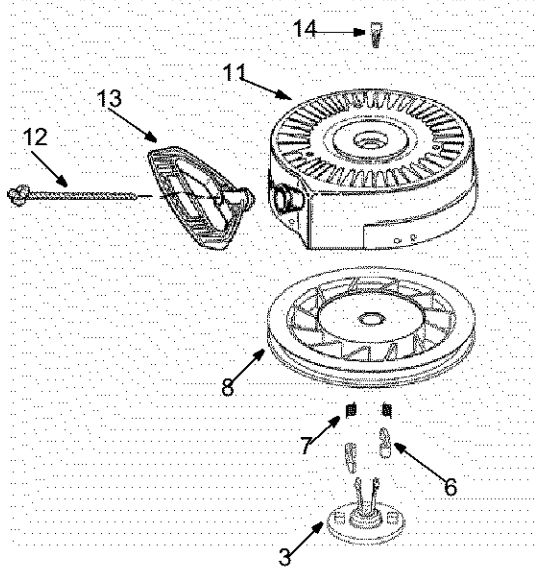
**Craftsman 5 hp. Engine 143.045003 for Snow Thrower Model 247.887000**

**Rewind Starter 590707**



Key No.	Part No.	Description
1	590599A	Spring Pin
2	590600	Washer
3	590696	Retainer
4	590601	Washer
5	590697	Brake Spring
6	590698	Starter Dog
7	590699	Dog Spring
8	590709	Pulley & Rewind Spring Assembly
11	590708	Starter Housing Assembly
12	590535	Starter Rope
13	590574	Mitten Grip Handle

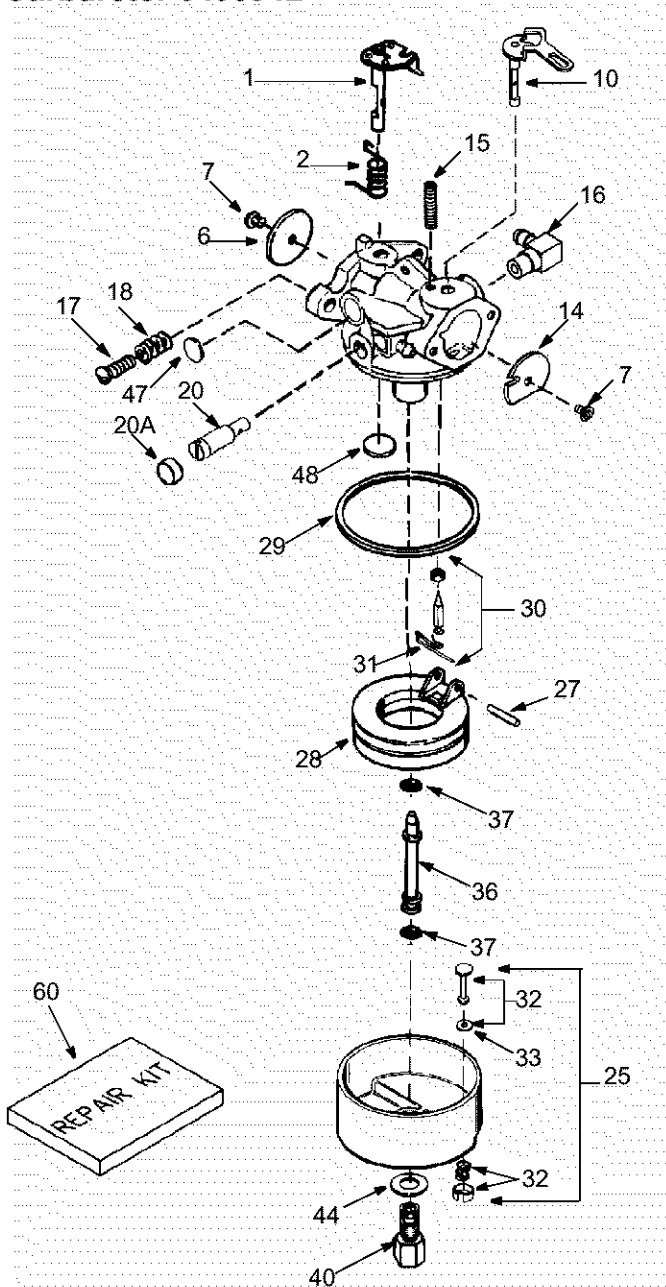
**Rewind Starter 590742**



Key No.	Part No.	Description
3	590740	Retainer
6	590616	Starter Dog
7	590617	Dog Spring
8	590645A	Pulley & Rewind Spring Assembly
11	590647A	Starter Housing Assembly
12	590535	Starter Rope
13	590574	Mitten Grip Handle
14	590760	Spring Clip

Craftsman 5 hp. Engine 143.045003 for Snow Thrower Model 247.887000

Carburetor 640084B



Key No.	Part No.	Description
1	631615	Throttle Shaft & Lever Assembly
2	631767	Throttle Return Spring
6	640070	Throttle Shutter
7	650506	Shutter Screw
10	632108	Choke Shaft & Lever Assembly
14	631890	Choke Shutter
15	630735	Choke Positioning Spring
16	631807	Fuel Fitting
17	651025	Throttle Crack Screw/Idle Speed Screw
18	630766	Tension Spring
20	640027	Idle Restrictor Screw
20A	640053	Idle Restrictor Screw Cap
25	631951	Float Bowl Assembly (Incl. 32 & 33)
27	631024	Float Shaft
28	632802	Float (Plastic)
29	631028	Float Bowl O-Ring
30	631021A	Inlet Needle, Seat & Clip (Incl. 31)
31	631022	Spring Clip
32	27136A	Bowl Drain Assembly
33	27554	Drain Plunger Gasket
36	632745	Main Nozzle Tube
37	632547	O-Ring, Main Nozzle Tube
40	640131	High Speed Bowl Nut
44	27110A	Bowl Nut Washer
47	630748	Welch Plug, Idle Mixture Well
48	631027	Welch Plug, Atmospheric Vent
60	632760B	Repair Kit

## CONTENIDO

Contenido	Pág.	Contenido	Pág.
Información sobre la garantía .....	31	Servicio y Ajuste .....	42
Prácticas de seguridad en la operación .....	32	Almacenamiento fuera de temporada .....	44
Ensamblado .....	34	Guía para la solución de problemas .....	45
Operación .....	36	Lista de las piezas (English) .....	20
Mantenimiento .....	40		

## INFORMACIÓN SOBRE LA GARANTÍA

### Garantía de dos años para la máquina quitanieve Craftsman

Durante dos años a partir de la fecha de compra, siempre que a esta máquina quitanieve se le realice el servicio de mantenimiento, lubricación y sintonización de acuerdo a las instrucciones del manual del propietario, Sears reparará sin cargo cualquier defecto de materiales o mano de obra.

Si esta máquina quitanieve Craftsman se utiliza para propósitos comerciales o de alquiler, esta garantía se aplica sólo durante 30 días a partir de la fecha de compra.

#### Esta garantía no cubre:

Elementos desechables que se desgastan por el uso normal, incluyendo entre otros, zapatas antideslizantes, placa de raspado, y bujías.

Reparaciones necesarias debido a abuso o negligencia del operador, incluyendo abolladura del cigüeñal y falla por no realizar mantenimiento del equipo de acuerdo con las instrucciones contenidas en el manual del propietario. **EL SERVICIO DE GARANTÍA ESTÁ DISPONIBLE PARA LOS USUARIOS QUE LLEVEN LA MÁQUINA QUITANIEVE CRAFTSMAN AL CENTRO DE PARTES & REPARACIÓN SEARS MÁS CERCANO DENTRO DE LOS ESTADOS UNIDOS.**

Esta garantía es válida únicamente mientras el producto se utilice dentro de los Estados Unidos.

Esta garantía le otorga derechos legales específicos; usted también puede tener otros derechos, los cuales varían de un estado a otro.

SEARS, ROEBUCK AND CO., D/817WA, HOFFMAN ESTATES, IL 60179

### Acuerdos de protección sobre reparaciones

Felicitaciones por la compra inteligente que realizó. Su nuevo producto Craftsman® esta diseñado y fabricado para años de operación confiable. Pero como todo producto, es posible que necesite reparaciones de vez en cuando. En esos casos tener un Acuerdo de Protección sobre Reparaciones le ahorrará dinero y disgustos.

El Acuerdo incluye lo siguiente:

- ✓ **Servicio especializado** llevado a cabo por 12,000 especialistas profesionales en reparaciones
- ✓ **Servicio ilimitado sin costo** para partes y mano de obra en todas las reparaciones cubiertas
- ✓ **Reemplazo del producto** si no es posible arreglar el producto cubierto por el acuerdo
- ✓ **Descuento** del 10% sobre el precio regular de servicio y partes relacionadas con el servicio no cubiertas por el acuerdo; además descuento del 10% sobre el precio regular para control de mantenimiento preventivo
- ✓ **Ayuda rápida por teléfono** – apoyo telefónico de un técnico de Sears para los productos que requieran reparaciones en el sitio más un cronograma de reparaciones conveniente.

Compre un Acuerdo de Protección sobre Reparaciones ya mismo y evite problemas y gastos inesperados.

Una vez que compre el Acuerdo, sólo tendrá que realizar una llamada telefónica para programar el servicio. Llame en cualquier momento de día o de noche o acuerde una cita de servicio en línea. Sears tiene alrededor de 12,000 especialistas en reparaciones profesionales, los cuales tienen acceso a 4.5 millones de partes y accesorios de calidad. Esa es la clase de profesionalismo con que cuenta para ayudar a prolongar la vida de su nueva compra durante los años siguientes. ¡Compre hoy mismo el Acuerdo de Protección sobre Reparaciones!

Se aplican algunas limitaciones y exclusiones. Para obtener información adicional y precios llame al 1-800-827-6655.

#### Servicio de instalación de Sears

Para la instalación profesional de Sears de aparatos domésticos, dispositivos de apertura de portones, calentadores de agua y otros artículos del hogar, en los Estados Unidos llame al 1-800-4-MY-HOME®.

## ESPECIFICACIONES DEL PRODUCTO

Caballaje: **5**  
 Aceite del motor: **SAE 5W30**  
 Combustible: **Común sin plomo**  
 Bujías: **RJ19LM**  
 Motor: **Modelo de motor Craftsman 143.045003**

## MODELO NÚMERO

Modelo Número  
 Número de Serie.....  
 Fecha de compra.....  
 Registre el número de serie y la fecha de compra y conserve esta información en un sitio seguro para referencia futura.

# PRÁCTICAS DE OPERACIÓN SEGURAS



**ADVERTENCIA:** Este símbolo indica instrucciones de seguridad importantes que de no seguirse, podrían poner en peligro la seguridad personal y/o la propiedad suya y de terceros. Lea y siga todas las instrucciones en este manual antes de iniciar la operación de esta máquina. En caso de no seguir estas instrucciones podrían producirse lesiones personales. Cuando vea este símbolo—**preste atención a la advertencia.**



**ADVERTENCIA:** El escape del motor de este producto, algunos de sus componentes y algunos componentes del vehículo contienen o emiten productos químicos que el estado de California considera que pueden producir cáncer, defectos de nacimiento u otros problemas reproductivos.

**PELIGRO:** Esta máquina está diseñada para ser utilizada respetando las reglas de seguridad contenidas en este manual. Al igual que con cualquier tipo de equipo eléctrico, una falla o error de parte del operador puede producir graves lesiones. Esta máquina es capaz de amputar manos y pies y de arrojar objetos con gran fuerza. De no respetar las instrucciones de seguridad siguientes se pueden producir lesiones graves o la muerte.

## Capacitación

1. Lea, comprenda y respete todas las instrucciones que figuran en la máquina o en este(os) manual(es) antes de proceder al ensamblado y operación del equipo. Guarde este manual en un lugar seguro para referencias futuras y regulares y para solicitar partes de reemplazo.
2. Familiarícese con todos los controles y con su funcionamiento. Sepa cómo detener la máquina y cómo desengranar los controles.
3. Nunca permita que niños menores de 14 años operen esta máquina. Los niños de 14 años y mayores de 14 años deben leer y comprender las instrucciones de operación y las reglas de seguridad contenidas en este manual y deben ser entrenados y supervisados por uno de los padres.
4. Nunca permita que adultos sin los conocimientos adecuados acerca de la máquina la operen.
5. Los objetos arrojados por la máquina pueden producir lesiones graves. Planifique el patrón en el que va a ir arrojando nieve para evitar que la descarga de material se realice hacia los caminos, los observadores, etc.
6. Mantenga a los observadores, ayudantes, mascotas y a los niños por lo menos a 75 pies de la máquina mientras la misma está en funcionamiento. Detenga la máquina si alguien entra en la zona.
7. Sea precavido para evitar patinarse o caerse especialmente cuando opera la máquina en reversa.

## Preparativos

1. Revise minuciosamente la zona donde se utilizará el equipo. Saque todos los felpudos, periódicos, trineos, tablas, cables y otros objetos extraños con los que podría tropezar o que podrían ser arrojados por la barrena / motor.
2. Para protegerse los ojos utilice siempre anteojos o antiparras de seguridad mientras opera la máquina o mientras la ajusta o repara. Los objetos arrojados que rebotan pueden lesionar gravemente la vista.
3. No opere la máquina sin la vestimenta adecuada para estar al aire libre en invierno. No utilice alhajas, bufandas largas u otras prendas sueltas que podrían enredarse en las partes móviles. Utilice un calzado especial para superficies resbaladizas.
4. Use un cordón prolongador y un tomacorriente de tres cables con conexión a tierra para todas las unidades con motores con encendido eléctrico.
5. Ajuste la altura de la caja del tomacorriente para limpiar la grava o las superficies con piedras trituradas.
6. Desengrane todas las palancas de embrague antes de arrancar el motor.
7. Nunca intente realizar ajustes mientras el motor está en

marcha excepto en los casos específicamente recomendados en el manual del operador.

8. Deje que el motor y la máquina se adapten a la temperatura exterior antes de comenzar a sacar la nieve.
9. Sea sumamente cuidadoso al manipular la gasolina para evitar lesiones o daños. La gasolina es altamente inflamable y los vapores son explosivos. Se puede lesionar gravemente si derrama gasolina sobre usted o sobre la ropa ya que se puede prender fuego. Lave la piel y cámbiese de ropa de inmediato.
  - a. Utilice sólo recipientes para gasolina aprobados.
  - b. Apague todos los cigarrillos, cigarros, pipas y otras fuentes de combustión.
  - c. Nunca cargue combustible en la máquina en un espacio cerrado.
  - d. Nunca saque la tapa del combustible ni agregue combustible mientras el motor está caliente o en marcha.
  - e. Deje que el motor se enfríe por lo menos dos minutos antes de volver a cargar combustible.
  - f. Nunca recargue el tanque de combustible. Llene el tanque no más de 1/2 pulgada por debajo de la base del cuello del filtro para dejar espacio para la dilatación del combustible.
  - g. Vuelva a colocar la tapa de la gasolina y ajústela bien.
  - h. Limpie la gasolina derramada sobre el motor y el equipo. Traslade la máquina a otra zona. Espere 5 minutos antes de encender el motor.
  - i. Nunca almacene la máquina o el recipiente de combustible en un espacio cerrado donde haya fuego, chispas o luz piloto (por ejemplo, hornos, calentadores de agua, calefactores, secadores de ropa, etc.).
  - j. Deje que la máquina se enfríe durante 5 minutos antes de almacenarla.

## Operación

1. No ponga las manos o los pies cerca de las piezas rotatorias, en la caja de la barrena / motor o en el canal de descarga. El contacto con piezas rotatorias puede amputar manos y pies.
2. La palanca del embrague de la barrena / motor es un dispositivo de seguridad. Nunca pase por alto su funcionamiento. De hacerlo la operación de la máquina es riesgosa y puede ocasionar lesiones.
3. Las palancas del embrague deben funcionar bien en ambas direcciones y regresar automáticamente a la posición de desengrane cuando se las suelta.
4. Nunca opere la máquina si falta un canal de descarga o el mismo está dañado. Mantenga todos los dispositivos de seguridad en su lugar y en funcionamiento.



5. Nunca encienda el motor en espacios cerrados o en una zona poco ventilada. El escape del motor contiene monóxido de carbono, un gas inodoro y letal.
6. No opere la máquina estando bajo los efectos del alcohol o de drogas.
7. El silenciador y el motor se calientan y producen una quemadura. No los toque.
8. Sea sumamente precavido cuando opere la máquina sobre una superficie con grava o cuando la cruce. Manténgase alerta por si se presentan peligros ocultos o tránsito.
9. Tenga cuidado cuando cambie de dirección o cuando opere la máquina en pendientes.
10. Planifique el patrón en el que va a ir arrojando nieve para evitar que la descarga de material se produzca hacia las ventanas, las paredes, los automóviles, etc. para evitar posibles daños materiales o lesiones producidas por los rebotes.
11. Nunca dirija la descarga hacia los niños, los observadores y las mascotas ni deje que nadie se pare delante de la máquina.
12. No sobrecargue la capacidad de la máquina tratando de sacar la nieve muy rápidamente.
13. Nunca opere esta máquina si no tiene buena visibilidad o iluminación. Siempre debe estar seguro de que está bien afirmado y sostenga bien las manijas. Camine, nunca corra.
14. Corte la corriente a la barrena / motor cuando transporte la máquina o cuando la misma no está en uso.
15. Nunca opere la máquina a alta velocidad de desplazamiento sobre superficies resbaladizas. Mire hacia abajo y hacia atrás y tenga cuidado cuando la use en reversa.
16. Si la máquina comenzara a vibrar de manera anormal, detenga el motor, desconecte el cable de la bujía y póngala de manera que haga masa contra el motor. Inspeccione la máquina minuciosamente para ver si está dañada. Repare todos los daños antes de encender y operar la máquina.
17. Desengrane todas las palancas de embrague y detenga el motor antes de dejar la posición de operación (detrás de las manijas). Espere a que la barrena / motor se detenga por completo antes de destapar el canal de descarga, de realizar ajustes o inspecciones.
18. Nunca ponga las manos en las aberturas de descarga o de recolección. Utilice siempre la herramienta de limpieza que se adjunta para destapar la abertura de descarga. No destape el canal de descarga mientras el motor está en marcha. Antes de destaparlo, apague el motor y permanezca detrás de las manijas hasta que todas las partes móviles se hayan detenido completamente.
19. Use sólo uniones y accesorios aprobados por el fabricante (por ejemplo, pesas para las ruedas, cadenas para los neumáticos, cabinas, etc.).
20. Si se presentan situaciones que no están previstas en este manual sea cuidadoso y use el sentido común. Contacte al centro de servicio Sears para obtener asistencia.
4. No cambie la configuración del regulador del motor ni acelere demasiado el mismo. El regulador controla la velocidad máxima segura de operación del motor.
5. Las placas de raspado y las zapatas antideslizantes que se usan con la máquina quitanieve se desgastan y se dañan. Para proteger su seguridad, verifique frecuentemente todos los componentes y reemplácelos sólo con partes de los fabricantes de equipos originales (OEM). "La utilización de partes que no cumplan con las especificaciones de equipos originales podría tener como resultado un rendimiento incorrecto y además la seguridad podría estar comprometida"
6. Revise los controles del embrague periódicamente para verificar que engranen y desengranen adecuadamente y ajústelos si es necesario. Consulte la sección de ajustes en este manual del operador para obtener instrucciones.
7. Mantenga/reemplace las etiquetas/instrucciones de seguridad según sea necesario.
8. Respete las leyes y reglamentaciones referentes a la disposición correcta de combustible, aceite, etc. para proteger el medio ambiente.
9. Antes de almacenar la máquina enciéndala unos minutos para sacar la nieve que haya quedado en la misma y para evitar así que se congele la barrena / motor.
10. Nunca almacene la máquina o el recipiente de combustible en un espacio cerrado donde haya fuego, chispas o luz piloto como por ejemplo, calentadores de agua, hornos, secadores de ropa, etc.
11. Siempre consulte el manual del operador para obtener instrucciones correctas acerca del almacenamiento fuera de temporada.

## Su responsabilidad:

Sólo permita que usen esta máquina eléctrica las personas que lean, comprendan y respeten las advertencias y las instrucciones que aparecen en este manual y en la máquina. A continuación se muestran las etiquetas de seguridad para su referencia.

## No modifique el motor

Para evitar lesiones graves o la muerte, no modifique el motor bajo ninguna circunstancia. Si cambia la configuración del regulador el motor puede descontrolarse y operar a velocidades inseguras. Nunca cambie la configuración de fábrica del regulador del motor.

## Aviso referido a emisiones

Los motores que están certificados y cumplen con las regulaciones de emisiones federales EPA y de California para SORE (Equipos Small Off Road Equipment) están certificados para operar con gasolina común sin plomo y pueden incluir los siguientes sistemas de control de emisiones: Modificación de motor (EM) y catalizador de tres vías (TWC) si está equipado de esa manera.

## Calcomanía de identificación del motor

Esta calcomanía indica el número del modelo del motor, las especificaciones y la fecha de fabricación. Por favor mire la calcomanía en el motor de su equipo y registre esa información para referencia futura.

La calcomanía de identificación del motor también incluye especificaciones sobre el período de vida útil del motor relacionado con las emisiones. Este período está relacionado con la vida útil en conformidad con las emisiones según lo certificado por EPA y/o CARB. Para hallar la especificación del período de vida útil del motor, por favor lea la calcomanía del motor y ubique la letra (entre comillas) entre las palabras Moderado y Período de Vida Útil. Conecte una de las siguientes letras con la letra impresa en su calcomanía. Por ejemplo, a los modelos HSSK se los designa como:

"C" — 125 horas; "B" — 250 horas; "A" — 500 horas

## Mantenimiento & Almacenamiento

1. Nunca manipule los dispositivos de seguridad de manera imprudente. Controle periódicamente que funcionen de forma adecuada. Remítase a las secciones de mantenimiento y ajuste de este manual.
2. Antes de realizar la limpieza, de reparar o de revisar la máquina, desengrane todas las palancas de embrague y detenga el motor. Espere a que la barrena / motor se detenga por completo. Desconecte el cable de la bujía y póngalo de manera que haga masa contra el motor para evitar que se encienda de manera accidental.
3. Verifique frecuentemente que los pernos y tornillos estén ajustados correctamente para asegurarse de que la máquina esté trabajando de manera segura. Además realice una inspección visual de la máquina para controlar si la misma está dañada.

# ENSAMBLADO

**IMPORTANTE:** Esta unidad se envía con aceite en el cárter pero sin gasolina. Después del ensamblado, consulte la página 37 para los detalles de llenado de combustible y aceite.

## Extracción de la unidad de la caja

1. Corte las esquinas de la caja de cartón y extiéndala en el piso. Quite todos los insertos de empaque.
2. Quite (i) la bolsa plástica (contiene el manual del propietario) y (ii) cordón prolongador eléctrico.
3. Saque la máquina quitanieve de la caja.
4. Asegúrese de vaciar completamente la caja antes de tirarla.

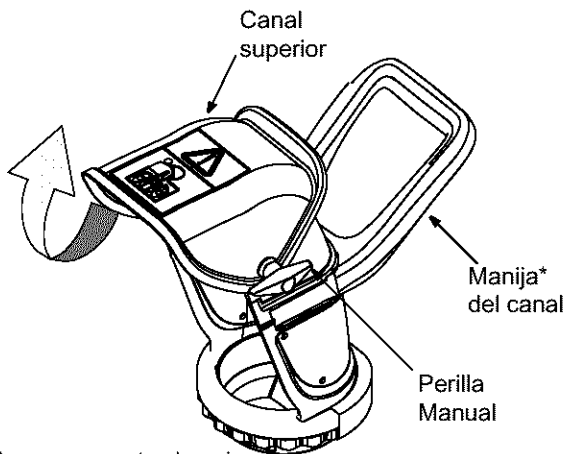
## Antes del ensamblado

**NOTA:** Las referencias que contiene este manual sobre los lados derecho o izquierdo de la máquina quitanieve se hacen observando la misma desde la posición de operación a menos que se indique lo contrario.

- Compruebe que el **cable de la bujía esté desconectado** y retirado de la bujía antes de ensamblar la máquina quitanieve.
- Corte las ataduras de cables que sostienen la manija superiores para bajar el canal inclinado de la descarga.

## Configuración de la manija

1. Afloje la perilla del canal inclinado de la descarga y gire el canal inclinado superior por lo que irá. Ver Figura 1.



\* Sólo se usa para rotar el canal

Figura 1

**ADVERTENCIA:** No eleve la máquina quitanieve tomándola de la manija del canal.

2. Afloje la perilla de la manija, la arandela cóncava y el soporte cónico a cada lado de la manija. Ver Figura 2.

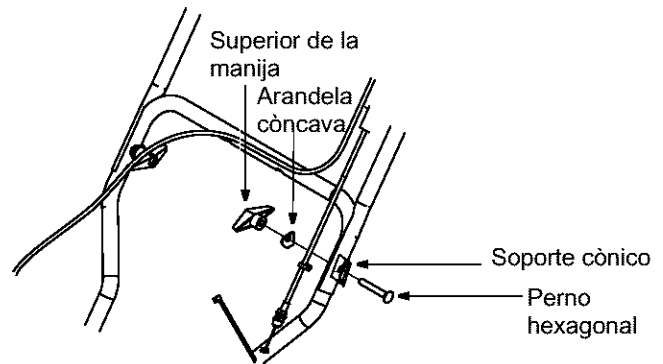


Figura 2

3. Sostenga ambos ganchos de control contra la manija superior y empujelos hacia arriba como se detalla en Figura 3. Asegúrese de que las trabas de la manija superior sobre la manija inferior y los soportes cónicos se alineen con la manija. Tendrá que manipular cuidadosamente la manija superior para destapar el canal de descarga.

**PRECAUCIÓN:** Tenga cuidado de no doblar o torcer los cables.

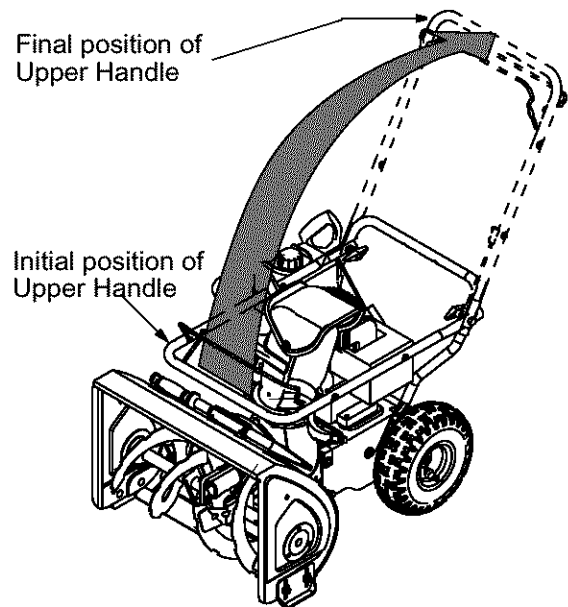


Figura 3

4. Ajuste las perillas de la manija a cada lado de la manija. Ver Figura 2.
5. Rote el canal inclinado de la descarga por la manija del canal inclinado a la posición de funcionamiento deseada.
6. Ajuste la perilla manual en el lado izquierdo del canal asegurándose de que la arandela plana y el perno de carro estén ubicados correctamente. Ver Figura 1.

## Herramienta de limpieza del canal

Esta herramienta puede ajustarse con una unión de cable a la parte posterior de la caja de la barrena para el embarque. En ese caso, corte la unión de cable antes de operar la máquina quitanieve.

## Ajustes finales

**IMPORTANTE:** Controle los ajustes tal como se detalla y realice los ajustes finales necesarios *antes* de operar la unidad. Si no sigue estas instrucciones la máquina quitanieve podría dañarse.

### Presión de los neumáticos

Los neumáticos tienen un exceso de aire para el embarque. Compruebe que la presión de los neumáticos se ubique entre 10 y -15 psi. Mantenga la misma presión en ambas ruedas de la máquina quitanieve.



**ADVERTENCIA:** La presión máxima de los neumáticos en cualquier circunstancia es de 15 psi. Se debe mantener una presión uniforme para ambas ruedas en todo momento. Una presión excesiva (superior a los 15 psi), al pisar un reborde puede causar que el montaje de neumático/ llanta explote con una fuerza suficiente como para causar lesiones graves.

### Zapata antideslizante

Se puede ajustar el espacio que existe entre la placa de raspado y el suelo. Refiera al Figura 6 para la localización. Si desea quitar nieve al ras del suelo, coloque las zapatas antideslizantes en la posición baja. Use las posiciones media o alta cuando la superficie que desea limpiar sea despareja.

**NOTA:** No se recomienda que opere esta máquina quitanieve sobre gravas, ya que es posible que la máquina quitanieve tome las gravas sueltas y la barrena las expulse, lo cual podría causar lesiones personales o dañar la máquina quitanieve. Si por algún motivo tiene que usar la máquina quitanieve sobre grava, mantenga la zapata antideslizante en la posición más elevada para lograr una separación máxima entre el suelo y la placa de raspado.

1. Ajuste la zapata antideslizante aflojando las dos tuercas hexagonales y los pernos del carro en cada zapata antideslizante y mueva la zapata antideslizante a la posición deseada. Ver Figura 4 .
2. Compruebe que toda la superficie inferior de las zapatas antideslizantes esté contra el suelo para evitar un desgaste desparejo de los mismos.
3. Ajuste las tuercas y los pernos.

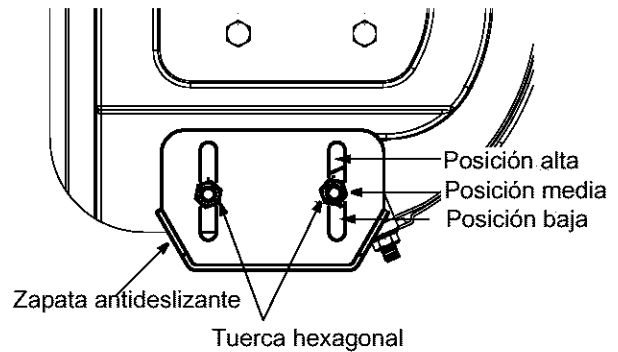


Figura 4

### Cable de transmisión.

1. Compruebe que el cable de transmisión esté orientado paralelamente a la manija superior izquierda, luego páselo por la parte superior de la manija inferior y finalmente páselo paralelamente a la manija inferior derecha. Ver Figura 5 .

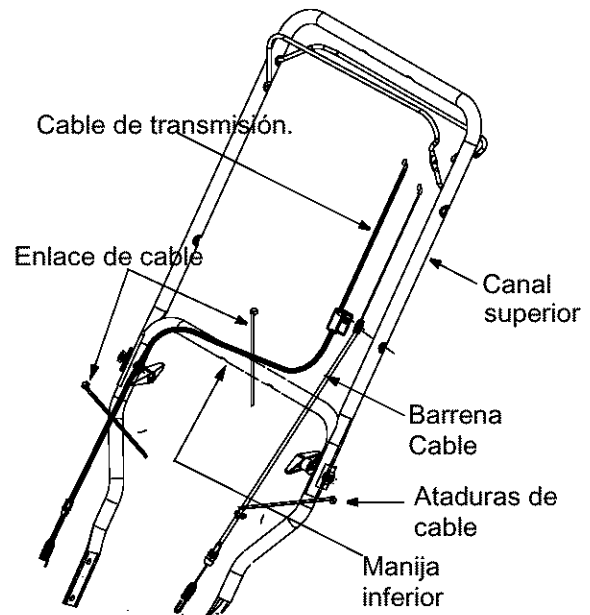


Figura 5

2. Tres ataduras de cables se han utilizado para asegurar los cables de control a la manija más baja. Dos de estas ataduras de cables están en cada brazo, y el tercero en la barra cruzada superior de la manija más baja. Apriete estas ataduras de cables para asegurar los cables a la manija más baja. Véase el Figura 5 .

# OPERACIÓN

Lea este manual del propietario y las reglas de seguridad antes de poner en funcionamiento su máquina quitanieve. Compare las ilustraciones que aparecen debajo con su unidad para familiarizarse con la ubicación de los distintos controles y ajustes.

## Controles de operación

(Ver Figura 6)

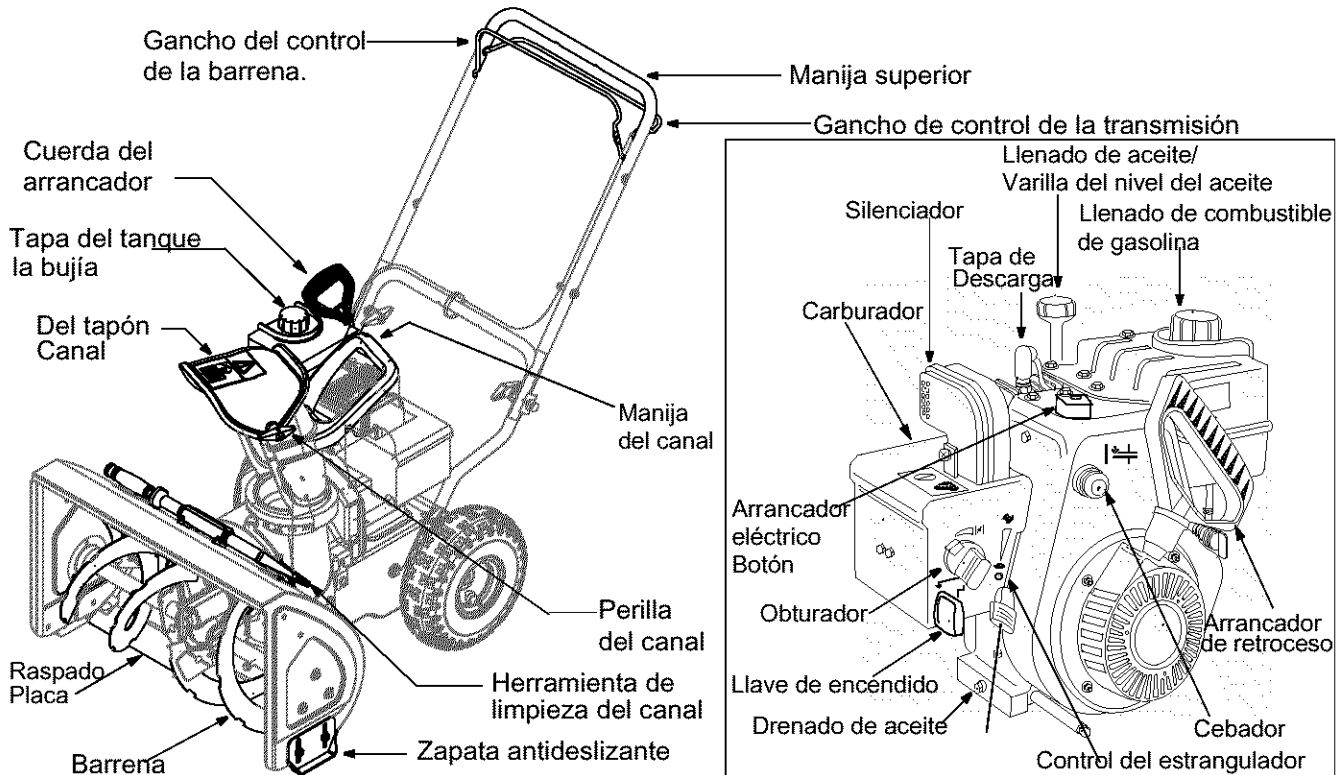


Figura 6

### Gancho de control de la transmisión

Ubicada sobre la parte de abajo del gancho superior, la manija de control de transmisión se utiliza para engranar/ desengranar las ruedas. Apriete el gancho de control de transmisión contra la manija superior para engranar las ruedas, aflójela para desengranarla.

### Gancho del control de la barrena.

La manija de control de la barrena es adyacente a la manija superior. Apriete esta manija contra la manija para engranar las barrenas; suéltelas para desengranarlas.



**ADVERTENCIA:** Nunca intente realizar ajustes al canal de descarga a menos que las manijas de control tanto de la barrena como de la transmisión estén desengranadas y el operador esté ubicado junto a la unidad.

### Manija del canal

La dirección en que se arroja la nieve corresponde a la dirección de apertura del canal. Use la manija del canal para girar el ensamblado del canal en la posición correcta.

### Control del estrangulador

El control del estrangulador está ubicado en el motor. Regula la velocidad del motor.

### Perilla del canal

La distancia a la cual se arroja la nieve puede ajustarse elevando el canal superior para obtener una distancia mayor, o bajándola para una distancia menor. Afloje la perilla del canal del lado del canal de descarga para ajustarlo. Gire el canal hacia la posición deseada y vuelva a ajustar la perilla del canal.

### Interruptor de encendido de seguridad

Inserte la llave de encendido dentro del interruptor para que arranque la unidad. Retire la llave de encendido cuando no use la máquina quitanieve. **No** gire la llave para arrancar/ detener la unidad.

### Zapata antideslizante

Se puede ajustar el espacio que existe entre la placa de raspado y el suelo. Si desea quitar nieve al ras del suelo, coloque las zapatas antideslizantes en la posición baja. Use las posiciones media o alta cuando la superficie que desea limpiar sea despareja.

# Antes de encender el motor

## Aceite del motor

Esta unidad es enviada sin aceite en el motor, para los llenados subsiguientes, use el grado de aceite para motor especificado consultando los detalles en la página 40.

1. Saque la varilla del nivel de aceite del orificio de llenado de aceite. Por la ubicación del orificio de llenado de aceite, consulte Figura 6.
2. Controle y compruebe que el nivel de aceite esté hasta arriba en la marca FULL de la varilla del nivel del aceite.
3. Si el nivel del aceite no está en posición FULL, lentamente agregue aceite fresco a través del tapón. Reemplace la varilla de aceite y controle nuevamente el nivel de aceite.

## Gasolina



**ADVERTENCIA:** La gasolina es inflamable; tenga precaución cuando la manipule o la almacene. No llene el tanque de combustible mientras la máquina quitanieve está en marcha, cuando está caliente o cuando está en un área cerrada. Evite que su máquina quitanieve entre en contacto con llamas abiertas o chispas y no fume mientras llena el tanque de combustible.

- Nunca llene completamente el tanque. Llene el tanque hasta 1/4-1/2 de pulgada por debajo del tope dejando así espacio para la dilatación del combustible.

**IMPORTANTE:** Su máquina quitanieve está equipada con un inserto plástico para el tanque de combustible para el embarque. Por favor tírelo antes de llenarlo de gasolina por primera vez.



- Siempre use gasolina para automotores sin plomo, limpia y nueva. Llene el tanque de combustible al aire libre y use un embudo o pico para evitar derrames. Asegúrese de que el recipiente desde el cual vierte la gasolina esté limpio y no esté oxidado ni contaminado con otras partículas extrañas. Asegúrese de limpiar el combustible que se haya derramado antes de arrancar el motor.

**PRECAUCIÓN:** Nunca use productos de limpieza para el motor o el carburador en el tanque de combustible.

## Para encender el motor



**ADVERTENCIA:** Asegúrese de que **ninguna persona además del operador** esté detenida cerca de la máquina quitanieve mientras arranca u opera el motor. **No opere** esta máquina quitanieve a menos que el ensamblado del canal de descarga haya sido correctamente instalado y esté asegurado.

- Para ubicar todos los controles del motor en esta sección, ver la sección de inserción Figura 6.

### A. Arrancador eléctrico

- El motor de la máquina quitanieve está equipado con un arrancador eléctrico y un arrancador de retroceso de 120 voltios de CA. El arrancador eléctrico está equipado con un cable de alimentación y un enchufe de tres terminales y está diseñado para operar con corriente doméstica de 120 voltios CA.

## Arranque en frío

1. Determine si el cableado de su hogar es un sistema de tres cables conectado a tierra. Consulte con un electricista matriculado si no está seguro.

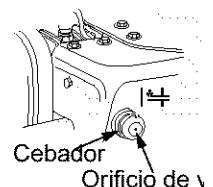


**ADVERTENCIA:** El arrancador eléctrico debe estar correctamente conectado a tierra en todo momento para evitar la posibilidad de descargas eléctricas que pueden provocar lesiones al operador. Si su sistema de cableado doméstico no es un sistema de tres cables con conexión a tierra, no utilice este motor eléctrico bajo ningún tipo de condiciones.

2. Si el sistema de cableado de su casa está conectado a tierra pero no existe un receptáculo de tres terminales disponible en el lugar donde normalmente se usará el arrancador de la máquina quitanieve, debe indicarle a un electricista con experiencia que lo instale.

**NOTA:** Cuando conecte el cable de alimentación, siempre conecte el cable al arrancador del motor primero, luego enchufe el otro extremo a un receptáculo de tres terminales de 120 V conectado a tierra. Cuando desconecte el cable de alimentación, siempre desconecte en primer lugar el extremo del receptáculo de tres terminales conectado a tierra.

3. **Conecte** el cable de la bujía a la misma.
4. compruebe de que el gancho del control de la barrena y el gancho del control de la transmisión estén desengranados.
5. Coloque la llave de encendido dentro de la ranura. **No** gire la llave. Guarde la segunda llave en un lugar seguro.
6. Rote la perilla de obturación a posición FULL (máximo).
7. Mueva el control del estrangulador a la posición FAST (rápido).
8. Encienda la válvula, si es parte del equipo.
9. Conecte el cable de alimentación a la caja del interruptor del motor.
10. Enchufe el otro extremo del cable de alimentación en un receptáculo de CA con conexión a tierra de tres terminales de 120 voltios.
11. Presione tres veces el botón del cebador, asegurándose de cubrir el orificio de ventilación cuando empuja.
12. Mantenga presionado el botón del arrancador eléctrico hasta que arranque el motor. No intente arrancar el motor durante más de 20 segundos por vez. Deje que el arrancador se enfríe antes de volver a intentar arrancarlo con la manivela.



**ADVERTENCIA:** Es posible que se produzcan daños severos al arrancador eléctrico si continúa arrancando el motor con la manivela por más de 20 segundos sin dejar que se enfríe.

13. Cuando arranca el motor, suelte el botón del arrancador y rote suavemente el obturador a posición OFF (apagado). Si el motor falla, rote el obturador inmediatamente a posición FULL y luego gradualmente a OFF.

**NOTA:** Cuando engrana el arrancador eléctrico, es probable que se produzca cierta vacilación antes de que encienda el motor. Esto es normal y no es dañino para el motor.

14. Primero desconecte el cable de alimentación del receptáculo y luego desconéctelo de la caja del interruptor en el motor.

- Deje que el motor se enfríe por algunos minutos ya que el motor no alcanzará la potencia total hasta lograr la temperatura operativa.

## Arranque en caliente

Si reinicia el motor en caliente, rote el obturador a posición OFF (APAGADO) en lugar de FULL (MÁXIMO) y presione el botón del arrancador. No presione el botón del cebador.

## B. Arrancador de retroceso

Compruebe que el gancho del control de la barrena y el gancho del control de la transmisión no estén presionados.

- Mueva el control del estrangulador a la posición FAST (rápido).
- Presione la tecla en la ranura de encendido hasta que encaje a presión en su lugar. No gire la llave. Quite la bolsa plástica y guarde la segunda llave en un lugar seguro.
- Rote el control de obturación a posición FULL del obturador.
- Presione el botón del cebador mientras cubre el agujero de ventilación. Quite su dedo del cebador entre un cebado y otro. No cebe el motor si la temperatura es superior a 50° F; cébelo dos veces si la temperatura se ubica entre 50° F y 15° F; y cébelo cuatro veces si está por debajo de 15° F.
- Tire de la manija del arrancador rápidamente. No deje que la manija se desenganche, pero permita que se enrosque lentamente mientras mantiene firmemente la manija del arrancador.
- Mientras el motor se calienta y comienza a funcionar de manera pareja, rote la perilla del obturador lentamente hacia la posición OFF. Si el motor falla, gire hacia posición FULL, luego mueva lentamente hacia posición OFF.
- Deje que el motor se enfríe por algunos minutos ya que el motor no alcanzará la potencia total hasta lograr la temperatura operativa.
- Opere el motor con el estrangulador al máximo (RÁPIDO) cuando esté arrojando nieve.

**NOTA:** Si el motor del arrancador funciona pero el motor no gira, es posible que el engranaje del arrancador se haya congelado. Ubique la máquina quitanieve en la parte más cálida del garage hasta liberar el engranaje de todo el hielo acumulado.

## Arranque en caliente

Si vuelve a arrancar un motor después de un cierre temporario, rote el obturador a posición OFF en lugar de FULL y **no** lo cebe. Tire de la manija del arrancador como se explicó anteriormente.

## Antes de detener la máquina

- Deje encendido el motor durante algunos minutos para permitir que se seque la humedad en el mismo.
- Para evitar un posible congelamiento**, siga estos pasos:

### Arrancador de retroceso

- Con el motor en funcionamiento, tire con fuerza de la soga del arrancador tres o cuatro veces de manera continua y seguida.

### Arrancador eléctrico

- Conecte el cable de alimentación a la caja del interruptor y luego al receptáculo de 120 voltios CA.
- Con el motor en marcha, presione el botón del arrancador y deje girar el arrancador por varios segundos.

- Desconecte el cable de alimentación primero del receptáculo y después de la máquina quitanieve.

**NOTA:** El sonido inusual provocado cuando tira de la cuerda del arrancador o cuando gira el arrancador no dañará el motor.

## Procedimiento para detener la máquina quitanieve

- Parado en la posición del operador (detrás de la máquina quitanieve), engrane el gancho de control de la barrena durante unos segundos para eliminar la nieve o el hielo que hayan quedado en el canal de descarga.
- Para detener la rueda, suelte el gancho de control de la transmisión.
- Para detener la liberación de nieve, suelte el gancho de control de la barrena.
- Para detener el motor presione la palanca de control del estrangulador hasta la posición OFF (apagado) y saque la llave. **No** gire la llave.
- Limpie toda la nieve y la humedad del área del carburador y alrededor del motor.



**ADVERTENCIA:** La temperatura del silenciador y de las áreas que lo rodean puede superar los 150° F. Evite dichas áreas.

## Procedimiento para quitar la nieve

**PRECAUCIÓN:** Revise la zona que desea limpiar para detectar la presencia de objetos extraños. Si los hubiera debe eliminarlos.

- Encienda el motor siguiendo las instrucciones de encendido.
- Gire el canal de descarga hacia la dirección deseada, lejos de transeúntes y/o edificios.
- Asegúrese de que no haya ningún transeúnte ni ningún objeto enfrente de la unidad, presione el gancho de control de la barrena completamente hasta engranar totalmente las barrenas.
- Mientras engrana la manija de control de la barrena, presione el gancho de control de la transmisión **completamente** contra la manija superior para engranar las ruedas.
- A medida que la máquina quitanieve comienza a moverse, sostenga firmemente la manija y guíe la máquina a lo largo del camino que desea limpiar.
- Suelte los ganchos para detener la acción y el movimiento de avance de la máquina quitanieve.

**NOTA:** Su unidad está equipada con un embrague en la transmisión. Si las ruedas se detienen mientras trata de descargar grandes volúmenes de nieve, inmediatamente desengrane el gancho de control de la transmisión y deje que las barrenas que están girando descarguen nieve de la caja. Continúe la operación con mayor tensión para un volumen menor de nieve.

- Con las pasadas sucesivas reajuste el deflector del canal en la posición deseada y traslape levemente la pasada que limpió previamente.

## Consejos de operación

**NOTA:** Deje que el motor se caliente unos minutos ya que el mismo no desarrolla la potencia máxima hasta que alcanza la temperatura de funcionamiento.

- Para que el quitado de la nieve sea más eficiente debe hacerlo inmediatamente después de la caída de la misma.
- En lo posible, descargue la nieve en dirección al viento. Traslape levemente las pasadas anteriores.
- Configure las zapatas antideslizantes 1/4" por debajo de la barra de raspado para un uso normal. Las zapatas antideslizantes se pueden ajustar hacia arriba cuando la nieve esté muy compactada.

**NOTA:** No se recomienda que opere esta máquina quitanieve sobre gravas, ya que es posible que la máquina quitanieve tome las gravas sueltas y la barrena las expulse, lo cual podría causar lesiones personales y/o dañar la máquina quitanieve.

- Si por algún motivo tiene que usar la máquina quitanieve sobre grava, mantenga la zapata antideslizante en la posición más elevada para lograr una separación máxima entre el suelo y la placa de raspado.
- Limpie cuidadosamente la máquina quitanieve después de cada uso.

## Herramienta de limpieza del canal



**ADVERTENCIA:** Detenga el motor quitando la llave de encendido y espere que se detengan TODAS las partes móviles antes de usar la herramienta de limpieza del canal.

La herramienta de limpieza está ajustada convenientemente a la parte posterior de la caja de la barrena con una horquilla

de ensamblado. Ver Figura 7 .

Cuando se acumulen nieve y hielo en el canal de descarga durante la operación, use esta herramienta para limpiar de manera segura el canal y la abertura del canal. Siga los pasos que aparecen debajo para operarla:

1. Suelte los ganchos de control de la barrena y la transmisión.
2. Para detener el motor saque la llave de encendido.
3. Saque la herramienta de limpieza de la horquilla que ajusta a la parte posterior de la caja de la barrena. Ver Figura 7 .
4. Use el extremo con forma de pala de la herramienta de limpieza para desplazar y recoger la nieve y el hielo que se formaron cerca del canal de descarga.



**ADVERTENCIA:** Nunca use sus manos para limpiar la nieve y el hielo del canal de descarga o la caja de la barrena.

5. Vuelva a ajustar la herramienta de limpieza del canal a la horquilla de ensamblado ubicado en la parte posterior de la caja de la barrena.
6. Vuelva a colocar la llave de encendido y arranque el motor de la máquina quitanieve para continuar quitando nieve.

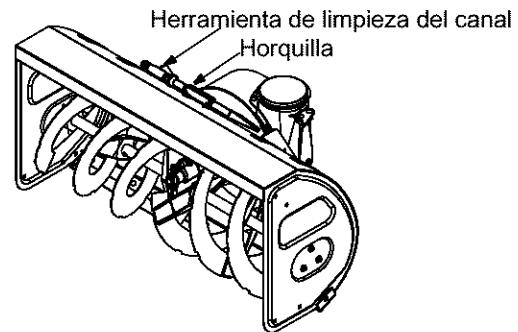


Figura 7

# MANTENIMIENTO

## Recomendaciones generales

- Respete siempre las reglas de seguridad cuando realice tareas de mantenimiento.
- La garantía de esta máquina quitanieve no cubre elementos que han estado sujetos al mal uso o negligencia del operador. Para recibir el reembolso total de la garantía, el operador deberá dar mantenimiento a la máquina quitanieve como se indica en este manual.
- Algunos ajustes deben ser realizados periódicamente para el mantenimiento adecuado de la unidad.
- Todos los ajustes de la sección de Servicio y ajustes del

presente manual deben ser verificados por lo menos una vez todas las temporadas.

- Siga el cronograma de mantenimiento que aparece en la página siguiente.
- Revise periódicamente todos los sujetadores y compruebe que estén bien ajustados.



**ADVERTENCIA:** Siempre detenga el motor y **desconecte** el cable de la bujía antes de hacer algún tipo de mantenimiento o ajustes.

## Calendario de mantenimiento

Tareas de mant.	Antes de cada uso	Después de cada uso	Después de las 2 primeras horas de funcionamiento	Cada 25 horas de funcionamiento	Cada 100 horas de funcionamiento	Una vez por temporada	Antes del almacenamiento	Fechas de los servicios
<b>Producto:</b> Lubrique los puntos de giro						✓		
Compruebe las correas en V				✓				
<b>Motor:</b> Compruebe el aceite del motor	✓							
Cambie el aceite del motor			✓	✓				
Compruebe la bujía					✓			
Reemplace la bujía						✓		
Vacíe el sistema de combustible							✓	

## Mantenimiento del motor

### Aceite del motor

Use solamente un aceite detergente de alta calidad con la clasificación de servicio API, SF, SG o SH. Seleccione el grado de viscosidad SAE del aceite según la temperatura esperada de funcionamiento.

Type d'huile	Température	Huile recommandée
Ordinaire	Au-dessus de 32°F	SAE 30W
Multi Grade	0°F à 32°F	SAE 5W30/SAE 10W
Synthétique	En dessous de 0°F	SAE 0W30

**NOTA:** Aunque los aceites de viscosidad múltiple (5W30, 10W30 etc.) mejoran el encendido cuando el clima está frío, los mismos incrementan el consumo de aceite cuando se usan a más de 32°F. Compruebe el nivel de aceite de la máquina quitanieve con mayor frecuencia para evitar que el motor trabaje con un nivel de aceite bajo.

Consulte la tabla de viscosidad para una adecuada selección del aceite para el motor.

### Verificación del nivel de aceite

1. Antes de operar la máquina quitanieve, controle el nivel de aceite.
2. Con el motor ubicado en suelo parejo, el aceite debe estar en la marca FULL (lleno) de la varilla del nivel de aceite. Ver Figura 8.
3. Detenga el motor y espere varios minutos antes de verificar el nivel de aceite. Saque el tapón de carga de aceite y la varilla del nivel de aceite.
4. Limpie la varilla del nivel de aceite e insértela en el orificio de carga de aceite y ajústela bien.
5. Saque la varilla del nivel de aceite y contrólela. Si el aceite no llega hasta la marca FULL (lleno) de la varilla del nivel de aceite, agregue aceite.



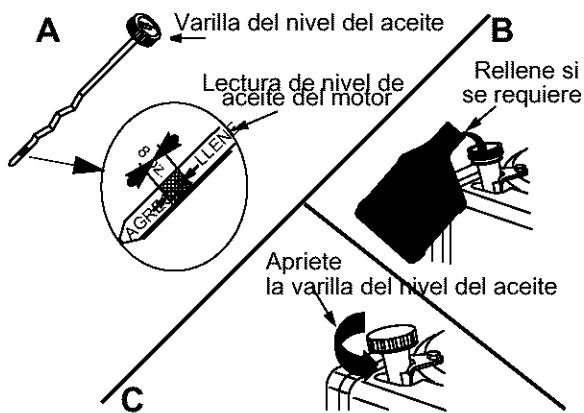


Figura 8

### Cambio de aceite

Cambio de aceite del motor después de las dos primeras horas de operación y a partir de ahí cada 25 horas de operación.

Para realizar el cambio de aceite primero debe vaciar el motor del aceite usado y luego volver a llenarlo con aceite nuevo.

1. Drene el aceite mientras el motor está caliente. Saque la tapa de drenado del aceite ubicada en la base del arrancador de retroceso del motor. Junte el aceite en un recipiente adecuado.
2. Cuando se haya vaciado todo el motor de aceite, vuelva a colocar el tapón de drenado bien ajustado.
3. Saque la varilla del nivel de aceite del orificio de llenado de aceite. Por la ubicación del orificio de llenado de aceite, consulte Figura 6. Vierta aceite nuevo lentamente a través del tapón. Reemplace la varilla del nivel de aceite.
4. Controle y compruebe que el nivel de aceite esté hasta arriba en la marca FULL de la varilla del nivel del aceite.

### Bujía de encendido

Limpie la bujía y ajuste el espacio de electrodos a 0.030" al menos una vez por estación o cada 100 horas de funcionamiento; reemplácela cada 200 horas de operación.

- Limpie el área alrededor de la base de la bujía.
- Saque e inspeccione la bujía.
- Cambie la bujía si los electrodos están picados, quemados o la porcelana está rota. Ver Figura 9.

**NOTA:** No lije la bujía. Se deben limpiar las bujías mediante raspado o tallado con cepillo de alambre y lavado con un solvente comercial.

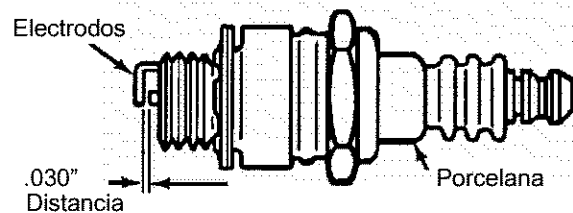


Figura 9

### Lubricación

Para ubicar los puntos de lubricación de la máquina quitanieve, consulte Figura 10.

1. Una vez por temporada, lubrique los puntos de giro en el gancho del control de la barrena con un aceite liviano para motor.
2. Una vez por temporada, lubrique el soporte intermedio de la barrena con un aceite liviano.

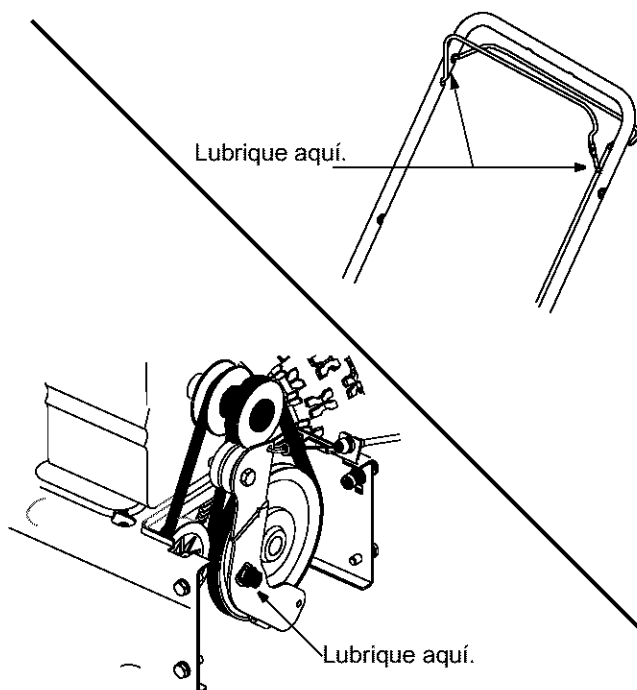


Figura 10

### Compruebe las correas en V

Siga las instrucciones a continuación para verificar el estado de las correas de transmisión cada 50 horas de funcionamiento.

1. Saque la cubierta plástica de la correa ubicada en el frente del motor. Para ello saque los dos tornillos autoroscantes.
2. Compruebe visualmente la existencia de correas raídas, agrietadas o excesivamente gastadas. En caso de ser necesario, reemplácelo según las instrucciones de la página 42.

# SERVICIO Y AJUSTES



**ADVERTENCIA:** Detenga siempre el motor de la máquina quitanieve, desconecte el cable de la bujía y póngalo separado de la misma antes de realizar todo tipo de ajustes o reparaciones.

**ADVERTENCIA:** Nunca intente limpiar el canal o realizar ajustes mientras el motor está en funcionamiento.

## Placa de raspado y zapatas antideslizantes

La placa de raspado y las zapatas antideslizantes ubicadas en la base de la máquina quitanieve están sujetas a desgaste. Periódicamente debería controlar los pernos y reemplazarlos cuando sea necesario.

1. Saque los cuatro pernos de carro, las arandelas belleville y las tuercas hexagonales que ajustan las zapatas antideslizantes a los dos costados de la máquina quitanieve. Ver Figura 11 .
2. Vuelva a montar las zapatas antideslizantes nuevos con cuatros tornillos de carro, arandelas belleville (el lado cónico va contra las zapatas antideslizantes) y las tuercas hexagonales. Compruebe que las zapatas antideslizantes están ajustadas para que queden parejas.
3. Para sacar la placa de raspado, saque la zapata y el resto de las piezas metálicas, incluyendo los pernos de carro, las arandelas belleville y las tuercas hexagonales que ajustan la placa de raspado a la caja de la máquina quitanieve. Por la ubicación de la placa de raspado, consulte Figura 11 .
4. Vuelva a ensamblar la placa de raspado nueva, asegurándose de que las tapas de los pernos de carro se encuentren del lado interior de la caja. Vuelva a instalar la zapata antideslizante. Ajustela bien.

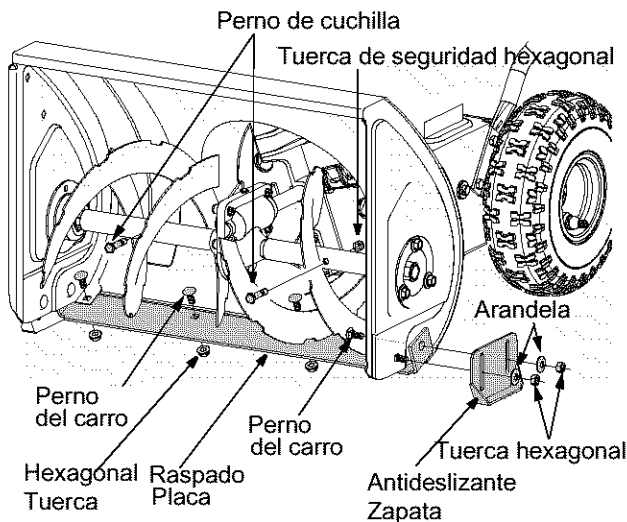


Figura 11

## Barrenas

Las barrenas están ajustadas al eje espiral con dos pernos de cuchilla y tuercas hexagonales de seguridad. Ver Figura 11 . Si golpea un objeto extraño o una barra de hielo, la máquina quitanieve está

diseñada de manera que los pernos se cortan.

Si las barrenas no giran, verifique si los pernos se cortaron. Reemplácelos cuando sea necesario. Ver Figura 11 .

Junto con la máquina quitanieve se incluyen dos pernos de cuchilla y tuercas hexagonales de seguridad de repuesto. Este tipo de tuercas se utiliza cuando hay alguna vibración. Use una llave allen ya que las tuercas de seguridad no se pueden enroscar a los pernos de forma manual. Cuando reemplace los pernos, rocíe un lubricante de aceite dentro del eje antes de colocar los pernos nuevos.

## Reemplazo de las correas

**NOTA:** Esta máquina quitanieve viene equipada con dos correas: correa de la barrena y correa de transmisión. Se recomienda que ambas correas sean reemplazadas al mismo tiempo.

1. Desconecte el cable de la bujía y póngalo de manera que haga masa contra el motor.
2. Drene la gasolina del tanque de combustible o coloque un trozo de plástico debajo del tapón de llenado del combustible para evitar una pérdida de gasolina.
3. Quite el tornillo demostrado en el cuadro 11, y empuje la cubierta de la correa para lanzar las lengüetas plásticas. Empuje la cubierta de la correa de alrededor del motor y el canal. Sáquela y guárdela. Ver Figura 12 .

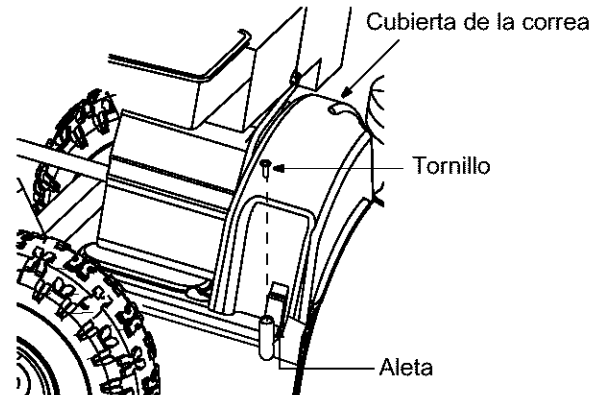


Figura 12

## Correas de las barrenas

1. Deslice la correa frontal de la barrena hasta sacarla de la polea del motor presionándola entre el soporte intermedio y la polea del motor. Ver Figura 13 .
2. Apriete el gancho del control de la barrena para liberar la tensión en la correa de la barrena; quite la correa.
3. Reemplácela por la nueva correa **después** de reemplazar la correa de transmisión. Siga la instrucciones de la página siguiente para reemplazar la correa de transmisión.

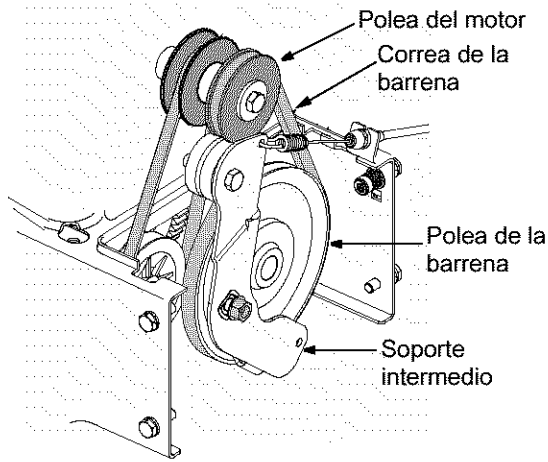
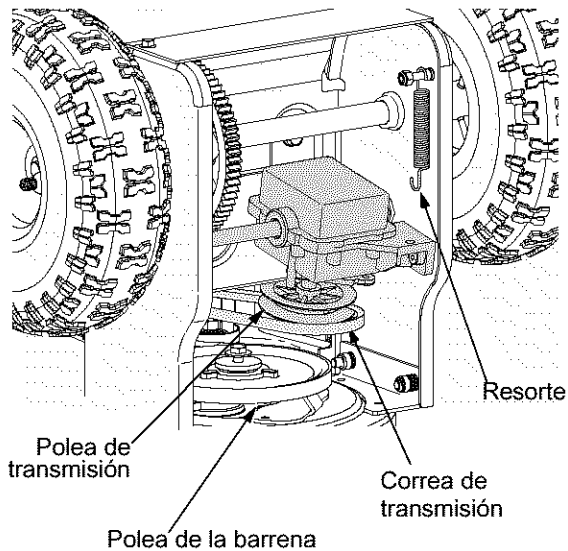


Figura 13

### Correa de transmisión

**NOTA:** Reemplace la correa de transmisión antes de volver a ensamblar la nueva correa de la barrena.

1. Inclíne la máquina quitanieve hacia arriba y hacia adelante de manera que quede apoyada sobre la caja.
2. Quite el resorte que conecta la transmisión a un perno en el cuadro del motor. Ver Figura 14 .



**NOTA:** Se exhibe la transmisión empujada hacia adelante.

Figura 14

3. Gire la transmisión hacia adelante para soltar la presión en la correa de transmisión.
4. Quite la correa de transmisión de alrededor de la polea del motor y aléjela de la unidad.
5. Ubique una nueva correa de transmisión dentro de la ranura de la polea del motor. Ver Figura 14 .
6. Inclíne la transmisión hacia adelante y ubique la correa de transmisión en la polea de transmisión.
7. Vuelva a conectar el resorte al perno en el marco del motor y ajuste la transmisión.
8. Vuelva a montar la cubierta de la correa en la máquina quitanieve:

## Ajustes

### Cable de la barrena

Es posible que se requieran ajustes periódicos del cable de control de la barrena debido al estiramiento y al desgaste normal de la correa. Se necesitarán ajustes si las barrenas parecen temblar mientras giran, pero el motor mantiene su velocidad.

1. Quite la cubierta de la correa presionando las aletas que la ajusta a la caja de la máquina quitanieve. Empuje la cubierta de la correa de alrededor del motor y el canal y aléjela de la máquina. Ahora puede acceder al cable de la barrena.
2. Ajuste dos tuercas hexagonales en el cable de la barrena hacia el resorte para aumentar la tensión de la correa de la barrena. Ver Figura 15 .
3. Vuelva a ensamblar la cubierta de la correa.

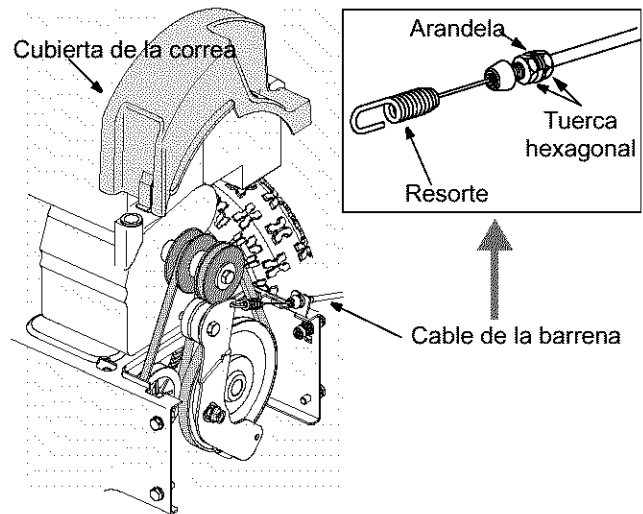


Figura 15

### Zapata antideslizante

Refiera a la página 6 de este manual.

# ALMACENAMIENTO FUERA DE TEMPORADA

Si no se utilizará el equipo durante 30 días o más, o al finalizar la temporada de nieve cuando ya no existe posibilidad de que nieve, es necesario almacenar el equipo de manera adecuada. Siga las instrucciones de almacenamiento que se indican a continuación para garantizar el rendimiento máximo de la máquina quitanieve durante muchos años más.

## Preparación del motor



**ADVERTENCIA:** Nunca almacene la máquina quitanieve, cuando aún tiene combustible en el tanque, en un espacio cerrado o en áreas con poca ventilación donde los gases del combustible puedan alcanzar el fuego, chispas o una luz piloto como la que tienen algunos hornos, calentadores de agua, secadores de ropa o algún otro dispositivo a gas.

**NOTA:** Es importante evitar que durante el almacenamiento se formen depósitos de goma en las piezas esenciales del sistema de combustible del motor como, por ejemplo, en el carburador, el filtro de combustible, la manguera de combustible o el depósito.

**ADVERTENCIA:** La experiencia indica también que los combustibles con mezcla de alcohol (que se llaman gasohol o que utilizan etanol o metanol) pueden atraer la humedad, la cual conduce a la separación y formación de ácidos durante el almacenamiento. El gas ácido puede dañar el sistema del combustible de un motor durante el almacenamiento del mismo.

Para evitar problemas con el motor, el sistema del combustible debe ser vaciado antes de almacenar la máquina durante 30 días o más. Siga estas instrucciones para preparar su máquina quitanieve para almacenarla:



**ADVERTENCIA:** Drene el combustible dentro de un recipiente aprobado en un lugar exterior, lejos de todo tipo de fuego. Compruebe que el motor esté frío. No fume. El combustible que se deje en el motor se deteriora cuando el clima es cálido y causa graves problemas de encendido.

1. Saque toda la gasolina del carburador y del depósito de combustible para evitar la formación de depósitos de goma dentro de los mismos que pueden dañar el motor.

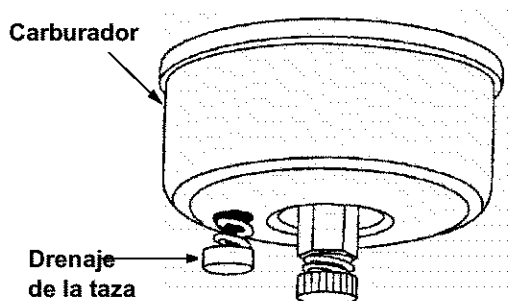


Figura 16

2. Ponga el motor en marcha hasta vaciar el depósito de combustible y hasta que el motor se detenga debido a la falta de combustible.
3. Drene el carburador presionando hacia arriba el drenaje de la taza, ubicado debajo de la cubierta del carburador. Ver Figura 16 .



**ADVERTENCIA:** No drene el carburador si está utilizando un estabilizador de combustible. En el depósito de combustible no use nunca productos de limpieza para motores o carburadores o podría producir daños permanentes.

**NOTA:** El uso de estabilizadores de combustible (como STA-BIL) es una alternativa aceptable para minimizar la formación de depósitos de goma de combustible durante el almacenamiento. Agregue el estabilizador a la gasolina que se encuentra en el depósito de combustible o en el recipiente de almacenamiento. Respete siempre la proporción de mezclado que figura en el recipiente del estabilizador. Ponga el motor en marcha por lo menos 10 minutos después de agregar el estabilizador para permitirle llegar al carburador. No drene el carburador si está utilizando un estabilizador de combustible.

4. Retire la bujía y vierta (1) onza de aceite para motor a través del orificio de la bujía y hacia el interior del cilindro. Cubra el orificio de la bujía con un trapo y ponga el motor en marcha varias veces para distribuir el aceite. Reemplace la bujía.

## Preparación de la máquina quitanieve

1. Cuando almacene la máquina quitanieve en un galpón de depósito metálico o con poca ventilación, tenga especial cuidado de realizarle un tratamiento anti-oxidante al equipo. Use aceite ligero o silicón para recubrir el equipo, especialmente las cadenas, los resortes, los cojinetes y los cables.
2. Elimine todo el polvo del exterior del motor y del equipo.
3. Siga las recomendaciones de lubricación en la página 41.
4. Almacénela en un área despejada y seca.

# SOLUCIÓN DE PROBLEMAS

Problema	Causa posible	Solución
El motor no arranca	<ol style="list-style-type: none"> <li>1. El tanque de combustible está vacío o el combustible es viejo</li> <li>2. La línea del combustible está bloqueada</li> <li>3. La obturación no está en posición ON (ENCENDIDO)</li> <li>4. La bujía no funciona correctamente</li> <li>5. La llave no está en el interruptor de encendido</li> <li>6. Se ha desconectado el cable de la bujía</li> <li>7. El cebador no fue utilizado correctamente.</li> </ol>	<ol style="list-style-type: none"> <li>1. Llene el tanque con gasolina limpia.</li> <li>2. Limpie la línea del combustible.</li> <li>3. Rote la palanca de obturación a posición ON (ENCENDIDO).</li> <li>4. Limpie, ajuste o reemplace la bujía.</li> <li>5. Inserte la llave totalmente dentro del interruptor; no la gire.</li> <li>6. Conecte el cable de la bujía a la bujía del motor.</li> <li>7. Ceba el motor tal como se explicó anteriormente. Si el carburador está ahogado debido a un cebado excesivo, espere hasta que esté seco.</li> </ol>
El motor funciona de manera errática	<ol style="list-style-type: none"> <li>1. La unidad está funcionando en posición de obturación FULL.</li> <li>2. La línea del combustible está tapada o la gasolina es vieja.</li> <li>3. Agua o suciedad en el sistema del combustible</li> </ol>	<ol style="list-style-type: none"> <li>1. Rote la perilla de obturación a posición OFF (APAGADO).</li> <li>2. Limpie la línea del combustible; llene el tanque con gasolina limpia.</li> <li>3. Drene el depósito de combustible y el carburador. Llénelos con gasolina limpia.</li> </ol>
El motor pierde potencia	<ol style="list-style-type: none"> <li>1. El cable de la bujía está flojo</li> <li>2. El orificio de ventilación del tapón de llenado del combustible está obstruido.</li> </ol>	<ol style="list-style-type: none"> <li>1. Conecte el cable de la bujía.</li> <li>2. Retire el hielo y la nieve del tapón de llenado del combustible. Compruebe que el orificio de ventilación no esté obstruido.</li> </ol>
Demasiada vibración	<ol style="list-style-type: none"> <li>1. Hay piezas que están flojas o la barrena está dañada</li> </ol>	<ol style="list-style-type: none"> <li>1. Detenga el motor de inmediato y desconecte el cable de la bujía. Ajuste todos los pernos y las tuercas. Si la vibración continúa, comuníquese con el centro de servicio de Sears.</li> </ol>
La unidad no se autopropulsa	<ol style="list-style-type: none"> <li>1. El cable de control de transmisión no está ajustado</li> <li>2. La correa de transmisión está floja o dañada</li> </ol>	<ol style="list-style-type: none"> <li>1. Ajuste el cable de control de transmisión siguiendo las instrucciones detalladas anteriormente.</li> <li>2. Reemplace la correa de transmisión.</li> </ol>
La unidad no descarga la nieve	<ol style="list-style-type: none"> <li>1. El canal de descarga está tapado</li> <li>2. Los pernos de cuchilla se cortaron.</li> <li>3. Hay un objeto extraño en la barrena</li> <li>4. El cable del control de la barrena necesita un ajuste.</li> <li>5. La correa de la barrena está floja o dañada.</li> </ol>	<ol style="list-style-type: none"> <li>1. Detenga el motor y desconecte el cable de la bujía. Limpie el canal de descarga y el interior de la caja de la barrena.</li> <li>2. Reemplace el perno de cuchilla.</li> <li>3. Detenga el motor de inmediato y desconecte el cable de la bujía. Retire el objeto de la barrena.</li> <li>4. Ajuste el cable del control de la barrena.</li> <li>5. Reemplace la correa de la barrena.</li> </ol>

**NOTA:** En esta sección se analizan problemas menores de servicio. Si desea más información comuníquese con el servicio de Sears al 1-800-4-MY-HOME®.

# Declaración De Garantía Del Control De Emisiones De Epa Para California y Estados Unidos

La Agencia estadounidense de protección del medio ambiente ("EPA"), el Consejo de recursos aéreos de California ("CARB") y Tecumseh Products Co. se complacen en explicar la Garantía de los sistemas federales y de California para el control de emisiones de su nuevo motor pequeño todo terreno.

En California, el modelo 1995 nuevo y los últimos motores pequeños todo terreno deben estar diseñados, contruidos y equipados para cumplir con las rigurosas normas anti-smog del estado. En otros estados, el modelo 1997 nuevo y los modelos de motores de los últimos años deben estar diseñados, contruidos y equipados, al momento de la venta, de manera que cumplan con las reglamentaciones de la Agencia estadounidense de protección del medio ambiente (U.S. EPA) para los motores pequeños todo terreno. Tecumseh Products Co. garantiza el sistema de control de emisiones en este motor pequeño todo terreno por los periodos enumerados a continuación siempre que no haya habido abuso, negligencia, modificaciones no aprobadas o mantenimiento indebido de su motor pequeño todo terreno. El sistema de control de emisiones puede incluir piezas como, por ejemplo, el carburador, el sistema de encendido y el sistema de escape. También puede incluir el sistema de liberación de compresión y otros ensamblados relacionados con las emisiones. Donde exista una condición garantizable, Tecumseh Products Co. reparará su pequeño motor todo terreno sin costo alguno para usted de diagnóstico, piezas y mano de obra

## **Cobertura de la garantía del sistema de control de emisiones**

Los sistemas de control de emisiones del modelo 1995 y de los modelos de los últimos años de los motores pequeños todo terreno de California están garantizados por dos años como se indica a continuación. En otros estados, el modelo 1997 y los motores de los modelos de los últimos años también están garantizados por dos años. Si durante el mencionado periodo de garantía, alguna de las piezas del motor relacionadas con la emisión presentan defectos en los materiales o mano de obra Tecumseh Products Co. reparará o reemplazará dicha pieza.

## **Responsabilidades del propietario en relación con la garantía**

Como propietario del motor pequeño todoterreno, usted es responsable del resultado del mantenimiento requerido enumerado en su Manual del propietario pero Tecumseh Products Co. no le negará la garantía sólo debido a la falta de recibos o por su imposibilidad para suministrar evidencia escrita del resultado de todo el mantenimiento programado.

Como propietario del motor pequeño todoterreno usted debe, sin embargo, saber que Tecumseh Products Co. le puede negar la cobertura de la garantía si su motor pequeño todoterreno o una pieza el mismo han fallado debido a abuso, negligencia, mantenimiento indebido o a modificaciones no aprobadas. Usted es responsable de presentar su motor pequeño todoterreno en un Centro de servicio autorizado por Tecumseh (cualquier distribuidor de servicio registrado con Tecumseh, distribuidor de servicio autorizado por Tecumseh o el distribuidor del depósito central de Tecumseh) tan pronto como se presente el problema. Las reparaciones cubiertas por la garantía se deben terminar en un lapso razonable que no exceda de 30 días.

El servicio cubierto por la garantía se puede combinar llamando a un distribuidor de servicio autorizado por Tecumseh o contactando a Tecumseh Products Co., c/o Service Manager, Engine and Transmission Group Service Division, 900 North Street, Grafton, WI 53024-1499. Teléfono 1-262-377-2700 [o en Estados Unidos/Canadá llame al 1-800-558-5402] o consulte las páginas amarillas telefónicas locales en la sección "Motores, gasolina" por el nombre, domicilio y número de teléfono de un distribuidor de servicio autorizado por Tecumseh de su zona.

## **Nota importante**

Esta declaración de garantía le explica sus derechos y obligaciones según la Garantía del sistema de control de emisiones (Garantía ECS) que le suministra Tecumseh Products Co. en cumplimiento de la ley del estado de California. Tecumseh Products Co. también le entrega a los compradores originales de motores nuevos de

Tecumseh Products Co. las Garantías limitadas de Tecumseh Products Co. para los motores y los módulos de encendido electrónico nuevos de Tecumseh ("Garantía de Tecumseh Products Co.") que se adjuntan en una hoja por separado con todos los motores Tecumseh Products Co. nuevos .

La Garantía ESC se aplica sólo al sistema de control de emisiones de su motor nuevo. Su alcance es tal que de surgir un conflicto entre las condiciones de la Garantía ECS y la Garantía de Tecumseh Products Co., se aplica la primera excepto en los casos en que la Garantía de Tecumseh Products Co. brinde un periodo de garantía más prolongado. Tanto la Garantía ECS como la Garantía de Tecumseh Products Co. describen derechos y obligaciones importantes en relación con su motor nuevo.

El servicio cubierto por la garantía sólo puede ser prestado por un distribuidor de servicio autorizado por Tecumseh Products Co. Al momento de solicitar el servicio de la garantía, debe presentar evidencia de la fecha de venta al comprador original. El comprador pagará todos los gastos relacionados con los llamados para el servicio y /o de transporte de los productos desde y hacia el lugar donde se realizará la inspección y /o el trabajo cubierto por la garantía. El comprador es responsable por todos los daños o pérdidas incurridos en relación con el transporte de cualquier motor o de cualquier pieza presentados para inspección y /o para el trabajo cubierto por la garantía.

Si tiene preguntas relacionadas con los derechos y responsabilidades de la garantía debe comunicarse con Tecumseh Products Co. al 1-262-377-2700 o en Estados Unidos/Canadá llame al 1-800-558-5402.

## **Garantía del sistema de control de emisiones**

Garantía del sistema de control de emisiones (Garantía ECS) para el modelo 1995 y los modelos de los últimos años de los motores pequeños todoterreno de California (para otros estados, los motores modelo 1997 y los de los últimos años):

**A. APLICABILIDAD:** La presente garantía se aplicará para el modelo 1995 y los modelos de los últimos años de los motores pequeños todoterreno de California (para otros estados, los motores modelo 1997 y los de los últimos años). El Periodo de la Garantía del sistema de control de emisiones (Garantía ECS) comienza en la fecha en que los motores o equipos nuevos son enviados a su comprador original, final y se extiende a partir de la misma durante 24 meses consecutivos.

**B. COBERTURA DE LA GARANTÍA DE EMISIONES GENERALES:** Tecumseh Products Co. le garantiza al comprador original, final de motores o equipos nuevos y a todos los compradores subsiguientes que sus motores pequeños todoterreno están:

1. Diseñados, contruidos y equipados para cumplir con todas las reglamentaciones aplicables adoptadas por el Consejo de recursos aéreos según lo que manda en los Capítulos 1 y 2, Inciso 5, Sub-inciso 26 del Código de salud y seguridad (Health and Safety Code)
2. Libre de defectos en los materiales y mano de obra, los cuales, en cualquier momento durante el Periodo de la Garantía del sistema de control de emisiones (Garantía ECS) causen que una pieza garantizada relacionada con las emisiones no sea idéntica en todos los aspectos materiales a la descripción de la misma incluida en la solicitud de certificación del fabricante del motor.

**C. La Garantía del sistema de control de emisiones (Garantía ECS) sólo corresponde a las piezas de su motor relacionadas con las emisiones, como se indica a continuación:**

1. Todas las piezas garantizadas relacionadas con las emisiones cuyo reemplazo no esté programado según los requerimiento de mantenimiento del Manual del propietario serán garantizadas durante el Periodo de la Garantía del sistema de control de emisiones (Garantía ECS). Si alguna de las piezas mencionadas falla durante el Periodo de la Garantía del sistema de control de emisiones (Garantía ECS), será reparada o reemplazada por

Tecumseh Products Co. en cumplimiento del inciso 4 siguiente. Todas las piezas mencionadas reparadas o reemplazadas según la Garantía del sistema de control de emisiones (Garantía ECS) serán garantizadas por todo el resto del Período de la Garantía del sistema de control de emisiones (Garantía ECS).

2. Todas las piezas garantizadas relacionadas con las emisiones que estén programadas para su inspección normal según lo determina el Manual del propietario serán garantizadas durante el Período de la Garantía del sistema de control de emisiones (Garantía ECS). Una declaración en dichas instrucciones escritas al efecto de "reparar o reemplazar según resulte necesario", no reducirá el Período de la Garantía del sistema de control de emisiones (Garantía ECS) Cualquiera de esas piezas reparadas o reemplazadas según la Garantía del sistema de control de emisiones

serán garantizadas por el resto del Período de la Garantía del sistema de control de emisiones (Garantía ECS).

3. Todas las piezas garantizadas relacionadas con las emisiones que estén programadas para su reemplazo para cumplir con los requisitos de mantenimiento del Manual del propietario serán garantizadas por el período anterior al primer reemplazo programado para dicha pieza. Si la pieza falla antes del primer reemplazo programado, la misma será reparada o reemplazada por Tecumseh Products Co. en cumplimiento del inciso 4 siguiente. Todas esas piezas relacionadas con las emisiones reparadas o reemplazadas según la Garantía del sistema de control de emisiones (Garantía ECS), serán garantizadas por el resto del Período de la Garantía del sistema de control de emisiones (Garantía ECS) anterior al primer reemplazo programado para dicha pieza.

4. La reparación o reemplazo de todas las piezas garantizadas relacionadas con las emisiones de acuerdo con la presente Garantía del sistema de control de emisiones (Garantía ECS) serán realizados sin costo para el propietario en un Centro autorizado de servicio de Tecumseh.

5. Al propietario no se le cobrará el trabajo de diagnóstico, el cual determina si un pieza cubierta por la Garantía del sistema de control de emisiones (Garantía ECS) es de hecho defectuosa, siempre que dicho trabajo de diagnóstico sea realizado en un Centro autorizado de servicio de Tecumseh.

6. Tecumseh Products Co. es responsable por los daños a otras piezas originales del motor o por las modificaciones aprobadas causados directamente por una falla durante la garantía de una pieza relacionada con las emisiones que esté cubierta por la garantía Garantía del sistema de control de emisiones (Garantía ECS).

7. Durante todo el Período de la Garantía del sistema de control de emisiones (Garantía ECS), Tecumseh Products Co. mantendrá un abastecimiento de piezas garantizadas relacionadas con las emisiones que sea suficiente para satisfacer la demanda esperada de dichas piezas.

8. Todas las piezas de reemplazo relacionadas con las emisiones autorizadas y aprobadas por Tecumseh Products Co. se pueden usar para llevar a cabo el mantenimiento o las reparaciones cubiertos por la Garantía del sistema de control de emisiones (Garantía ECS) y serán suministradas al propietario sin cargo. Dicho uso no reducirá las obligaciones de Tecumseh Products Co. en relación con la Garantía del sistema de control de emisiones (Garantía ECS).

9. Las piezas incorporadas o modificadas no aprobadas no se pueden usar para modificar o reparar un motor de Tecumseh Products Co.. Dicho uso anula esta Garantía del sistema de control de emisiones (Garantía ECS) y es causal suficiente para rechazar un reclamo relacionado con dicha garantía. Tecumseh Products Co. no es responsable por el presente documento por las fallas de cualquier pieza garantizada de un motor Tecumseh Products Co. causadas por el uso de dichas piezas incorporadas o modificadas no aprobadas.

**Las piezas relacionadas con las emisiones incluyen las siguientes:**

1. El ensamblado del carburador y sus piezas interiores
  - a. Filtro de combustible
  - b. Juntas obturadoras del carburador
  - c. Tubo de toma
2. Montaje del depurador de aire
  - a. Componente del depurador de aire
3. Sistema de encendido, incluido:
  - a. Bujía de encendido
  - b. Módulo de encendido
  - c. Ensamblado del volante
4. Silenciador catalítico (si está incluido)
  - a. Junta obturadora del silenciador (si está incluida)
  - b. Colector de escape (si está incluido)
5. Ensamblado del respiradero del cárter y sus piezas
  - a. Tubo de conexión del respiradero

# Get it fixed, at your home or ours!

## Your Home

For repair – **in your home** – of **all** major brand appliances, lawn and garden equipment, or heating and cooling systems, **no matter who made it, no matter who sold it!**

For the replacement parts, accessories and owner's manuals that you need to do-it-yourself.

For Sears professional installation of home appliances and items like garage door openers and water heaters.

**1-800-4-MY-HOME®** (1-800-469-4663)

Call anytime, day or night (U.S.A. and Canada)

[www.sears.com](http://www.sears.com)    [www.sears.ca](http://www.sears.ca)

---

## Our Home

For repair of carry-in items like vacuums, lawn equipment, and electronics, call or go on-line for the location of your nearest **Sears Parts & Repair Center.**

**1-800-488-1222**

Call anytime, day or night (U.S.A. only)

[www.sears.com](http://www.sears.com)

---

To purchase a protection agreement (U.S.A.) or maintenance agreement (Canada) on a product serviced by Sears:

**1-800-827-6655** (U.S.A.)

**1-800-361-6665** (Canada)

---

Para pedir servicio de reparación a domicilio, y para ordenar piezas:

**1-888-SU-HOGAR<sup>SM</sup>**  
(1-888-784-6427)

Au Canada pour service en français:

**1-800-LE-FOYER<sup>MC</sup>**  
(1-800-533-6937)  
[www.sears.ca](http://www.sears.ca)

# SEARS



## Free Manuals Download Website

<http://myh66.com>

<http://usermanuals.us>

<http://www.somanuals.com>

<http://www.4manuals.cc>

<http://www.manual-lib.com>

<http://www.404manual.com>

<http://www.luxmanual.com>

<http://aubethermostatmanual.com>

Golf course search by state

<http://golfingnear.com>

Email search by domain

<http://emailbydomain.com>

Auto manuals search

<http://auto.somanuals.com>

TV manuals search

<http://tv.somanuals.com>