

OPERATOR'S MANUAL

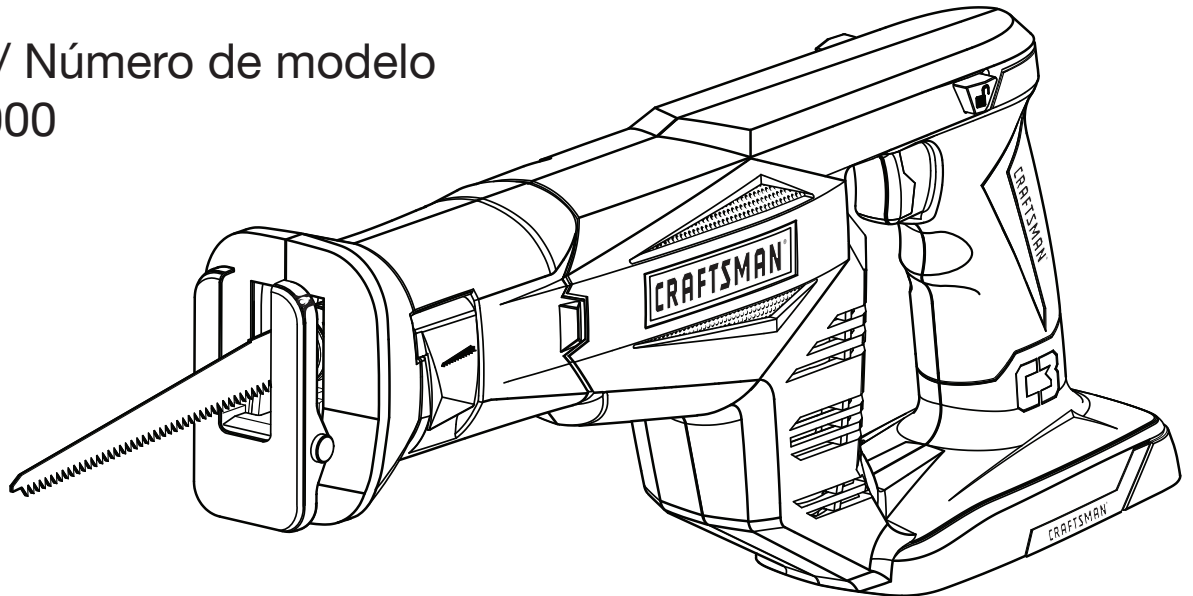
MANUAL DEL OPERADOR



19.2 VOLT RECIPROCATING SAW VARIABLE SPEED

SIERRA ALTERNATIVA DE 19,2 V VELOCIDAD VARIABLE

Model No. / Número de modelo
315.CRS1000



⚠ WARNING: To reduce the risk of injury, the user must read and understand the operator's manual before using this product.

⚠ ADVERTENCIA: Para reducir el riesgo de lesiones, el usuario debe leer y comprender el manual del operador antes de usar este producto.

**BATTERIES AND CHARGERS
SOLD SEPARATELY**

**LAS BATERÍAS Y LOS CARGADORES
SE VENDEN POR SEPARADO**

Customer Help Line: 1-800-932-3188
Teléfono de atención al consumidor: 1-800-932-3188

Sears Brands Management Corporation, 3333 Beverly Rd., Hoffman Estates, IL 60179 USA
Visit the Craftsman web page: www.sears.com/craftsman
Visite el sitio web de Craftsman: www.sears.com/craftsman



TABLE OF CONTENTS / ÍNDICE DE CONTENIDO

ENGLISH

■ Warranty.....	2
■ Introduction.....	2
■ General Power Tool Safety Warnings	3-4
■ Reciprocating Saw Safety Warnings	5
■ Symbols	6
■ Features	7
■ Assembly	7
■ Operation	8-9
■ Maintenance	10
■ Accessories.....	10
■ Illustrated Parts List	11
■ Figure Numbers (Illustrations).....	i-ii
■ Parts Ordering / Service.....	Back Page

ESPAÑOL

■ Garantía	2
■ Introducción.....	2
■ Reglas de seguridad generales	3-4
■ Advertencias de seguridad sierra alternativa.....	5
■ Símbolos.....	6
■ Características	7
■ Armado	7
■ Funcionamiento	8-10
■ Mantenimiento	10
■ Accesorios	11
■ Figura numeras (ilustraciones).....	i-ii
■ Pedidos de piezas / Servicio	Pág. posterior

WARRANTY / GARANTÍA

CRAFTSMAN® ONE YEAR LIMITED WARRANTY

FOR ONE YEAR from the date of purchase, this product is warranted against any defects in material or workmanship. With proof of purchase, defective product will be replaced free of charge.

For warranty coverage details to obtain free replacement, visit the web site: www.craftsman.com

This warranty does not cover the blades, which are expendable parts that can wear out from normal use within the warranty period.

This warranty is void if this product is ever used while providing commercial services or if rented to another person.

This warranty gives you specific legal rights, and you may also have other rights which vary from state to state.

Sears Brands Management Corporation, Hoffman Estates, IL 60179

* * *

GARANTÍA LIMITADA DE CRAFTSMAN POR UN AÑO

Este producto tiene garantía por cualquier defecto en material o mano de obra DURANTE UN AÑO desde la fecha de compra. Los productos defectuosos se reemplazarán sin cargo si presenta un comprobante de pago.

Si desea conocer los detalles de la cobertura de la garantía para conseguir reparaciones o recambios, visite el sitio Web: www.craftsman.com

Esta garantía no cubre las hojas, que es una pieza fungible que puede desgastarse por el uso normal durante el período de garantía.

La garantía pierde validez si este producto se utiliza mientras se prestan servicios comerciales o si se alquila a otra persona.

Esta garantía le otorga derechos legales específicos y también puede gozar de otros derechos que varían según el estado.

Sears Brands Management Corporation, Hoffman Estates, IL 60179

INTRODUCTION / INTRODUCCIÓN

This tool has many features for making its use more pleasant and enjoyable. Safety, performance, and dependability have been given top priority in the design of this product making it easy to maintain and operate.

* * *

Esta herramienta ofrece numerosas características para hacer más agradable y placentero su uso. En el diseño de este producto se ha conferido prioridad a la seguridad, el desempeño y la fiabilidad, por lo cual se facilita su manejo y mantenimiento.

GENERAL POWER TOOL SAFETY WARNINGS

⚠ WARNING: Read all safety warnings and all instructions. Failure to follow the warnings and instructions may result in electric shock, fire and/or serious injury.

Save all warnings and instructions for future reference. The term “power tool” in the warnings refers to your mains-operated (corded) power tool or battery-operated (cordless) power tool.

WORK AREA SAFETY

- **Keep work area clean and well lit.** Cluttered or dark areas invite accidents.
- **Do not operate power tools in explosive atmospheres, such as in the presence of flammable liquids, gases or dust.** Power tools create sparks which may ignite the dust or fumes.
- **Keep children and bystanders away while operating a power tool.** Distractions can cause you to lose control.

ELECTRICAL SAFETY

- **Power tool plugs must match the outlet. Never modify the plug in any way. Do not use any adapter plugs with earthed (grounded) power tools.** Unmodified plugs and matching outlets will reduce risk of electric shock.
- **Avoid body contact with earthed or grounded surfaces such as pipes, radiators, ranges and refrigerators.** There is an increased risk of electric shock if your body is earthed or grounded.
- **Do not expose power tools to rain or wet conditions.** Water entering a power tool will increase the risk of electric shock.
- **Do not abuse the cord. Never use the cord for carrying, pulling or unplugging the power tool. Keep cord away from heat, oil, sharp edges or moving parts.** Damaged or entangled cords increase the risk of electric shock.
- **When operating a power tool outdoors, use an extension cord suitable for outdoor use.** Use of a cord suitable for outdoor use reduces the risk of electric shock.
- **If operating a power tool in a damp location is unavoidable, use a ground fault circuit interrupter (GFCI) protected supply.** Use of a GFCI reduces the risk of electric shock.
- **Use battery only with charger listed.** For use with 19.2V nickel-cadmium and 19.2V lithium-ion battery packs, see tool/appliance/battery pack/charger correlation supplement 988000-272.

PERSONAL SAFETY

- **Stay alert, watch what you are doing and use common sense when operating a power tool. Do not use a power tool while you are tired or under the influence of drugs, alcohol or medication.** A moment of inattention while operating power tools may result in serious personal injury.

- **Use personal protective equipment. Always wear eye protection.** Protective equipment such as dust mask, non-skid safety shoes, hard hat, or hearing protection used for appropriate conditions will reduce personal injuries.
- **Prevent unintentional starting. Ensure the switch is in the off-position before connecting to power source and/or battery pack, picking up or carrying the tool.** Carrying power tools with your finger on the switch or energising power tools that have the switch on invites accidents.
- **Remove any adjusting key or wrench before turning the power tool on.** A wrench or a key left attached to a rotating part of the power tool may result in personal injury.
- **Do not overreach. Keep proper footing and balance at all times.** This enables better control of the power tool in unexpected situations.
- **Dress properly. Do not wear loose clothing or jewelry. Keep your hair, clothing and gloves away from moving parts.** Loose clothes, jewelry or long hair can be caught in moving parts.
- **If devices are provided for the connection of dust extraction and collection facilities, ensure these are connected and properly used.** Use of these devices can reduce dust-related hazards.
- **Do not wear loose clothing or jewelry. Contain long hair.** Loose clothes, jewelry, or long hair can be drawn into air vents.
- **Do not use on a ladder or unstable support.** Stable footing on a solid surface enables better control of the power tool in unexpected situations.

POWER TOOL USE AND CARE

- **Do not force the power tool. Use the correct power tool for your application.** The correct power tool will do the job better and safer at the rate for which it was designed.
- **Do not use the power tool if the switch does not turn it on and off.** Any power tool that cannot be controlled with the switch is dangerous and must be repaired.
- **Disconnect the plug from the power source and/or the battery pack from the power tool before making any adjustments, changing accessories, or storing power tools.** Such preventive safety measures reduce the risk of starting the power tool accidentally.
- **Store idle power tools out of the reach of children and do not allow persons unfamiliar with the power tool or these instructions to operate the power tool.** Power tools are dangerous in the hands of untrained users.

GENERAL POWER TOOL SAFETY WARNINGS

- **Maintain power tools.** Check for misalignment or binding of moving parts, breakage of parts and any other condition that may affect the power tool's operation. If damaged, have the power tool repaired before use. Many accidents are caused by poorly maintained power tools.
- **Keep cutting tools sharp and clean.** Properly maintained cutting tools with sharp cutting edges are less likely to bind and are easier to control.
- **Use the power tool, accessories and tool bits etc. in accordance with these instructions, taking into account the working conditions and the work to be performed.** Use of the power tool for operations different from those intended could result in a hazardous situation.

BATTERY TOOL USE AND CARE

- **Ensure the switch is in the off position before inserting battery pack.** Inserting the battery pack into power tools that have the switch on invites accidents.
- **Recharge only with the charger specified by the manufacturer.** A charger that is suitable for one type of battery pack may create a risk of fire when used with another battery pack.
- **Use power tools only with specifically designated battery packs.** Use of any other battery packs may create a risk of injury and fire.


- **When battery pack is not in use, keep it away from other metal objects, like paper clips, coins, keys, nails, screws or other small metal objects, that can make a connection from one terminal to another.** Shorting the battery terminals together may cause burns or a fire.
- **Under abusive conditions, liquid may be ejected from the battery; avoid contact. If contact accidentally occurs, flush with water. If liquid contacts eyes, additionally seek medical help.** Liquid ejected from the battery may cause irritation or burns.

SERVICE

- **Have your power tool serviced by a qualified repair person using only identical replacement parts.** This will ensure that the safety of the power tool is maintained.
- **When servicing a power tool, use only identical replacement parts. Follow instructions in the Maintenance section of this manual.** Use of unauthorized parts or failure to follow Maintenance instructions may create a risk of shock or injury.

RECIPROCATING SAW SAFETY WARNINGS

- **Hold power tool by insulated gripping surfaces, when performing an operation where the cutting accessory may contact hidden wiring.** Cutting accessory contacting a “live” wire may make exposed metal parts of the power tool “live” and could give the operator an electric shock.
- **Use clamps or another practical way to secure and support the workpiece to a stable platform.** Holding the work by hand or against your body leaves it unstable and may lead to loss of control.
- **Know your power tool. Read operator’s manual carefully. Learn its applications and limitations, as well as the specific potential hazards related to this power tool.** Following this rule will reduce the risk of electric shock, fire, or serious injury.
- **Always wear eye protection with side shields marked to comply with ANSI Z87.1.** Failure to do so could result in objects being thrown into your eyes, resulting in possible serious injury.
- **Protect your lungs. Wear a face or dust mask if the operation is dusty.** Following this rule will reduce the risk of serious personal injury.
- **Protect your hearing. Wear hearing protection during extended periods of operation.** Following this rule will reduce the risk of serious personal injury.
- **Battery tools do not have to be plugged into an electrical outlet; therefore, they are always in operating condition. Be aware of possible hazards when not using your battery tool or when changing accessories.** Following this rule will reduce the risk of electric shock, fire, or serious personal injury.
- **Do not place battery tools or their batteries near fire or heat.** This will reduce the risk of explosion and possibly injury.
- **Do not crush, drop or damage battery pack. Do not use a battery pack or charger that has been dropped or received a sharp blow.** A damaged battery is subject to explosion. Properly dispose of a dropped or damaged battery immediately.
- **Batteries can explode in the presence of a source of ignition, such as a pilot light.** To reduce the risk of serious personal injury, never use any cordless product in the presence of open flame. An exploded battery can propel debris and chemicals. If exposed, flush with water immediately.
- **Do not charge battery tool in a damp or wet location.** Following this rule will reduce the risk of electric shock.
- **For best results, your battery tool should be charged in a location where the temperature is more than 50°F but less than 100°F.** To reduce the risk of serious personal injury, do not store outside or in vehicles.
- **Under extreme usage or temperature conditions, battery leakage may occur. If liquid comes in contact with your skin, wash immediately with soap and water. If liquid gets into your eyes, flush them with clean water for at least 10 minutes, then seek immediate medical attention.** Following this rule will reduce the risk of serious personal injury.
- **Save these instructions.** Refer to them frequently and use them to instruct others who may use this tool. If you loan someone this tool, loan them these instructions also.




 **WARNING:** Some dust created by power sanding, sawing, grinding, drilling, and other construction activities contains chemicals known to cause cancer, birth defects or other reproductive harm. Some examples of these chemicals are:

- lead from lead-based paints,
- crystalline silica from bricks and cement and other masonry products, and
- arsenic and chromium from chemically-treated lumber.







Your risk from these exposures varies, depending on how often you do this type of work. To reduce your exposure to these chemicals: work in a well ventilated area, and work with approved safety equipment, such as those dust masks that are specially designed to filter out microscopic particles.

SYMBOLS

The following signal words and meanings are intended to explain the levels of risk associated with this product.

SYMBOL	SIGNAL	MEANING
	DANGER:	Indicates an imminently hazardous situation, which, if not avoided, will result in death or serious injury.
	WARNING:	Indicates a potentially hazardous situation, which, if not avoided, could result in death or serious injury.
	CAUTION:	Indicates a potentially hazardous situation, which, if not avoided, may result in minor or moderate injury.
	CAUTION:	(Without Safety Alert Symbol) Indicates a situation that may result in property damage.

Some of the following symbols may be used on this product. Please study them and learn their meaning. Proper interpretation of these symbols will allow you to operate the product better and safer.

SYMBOL	NAME	DESIGNATION/EXPLANATION
	Safety Alert	Indicates a potential personal injury hazard.
	Read Operator's Manual	To reduce the risk of injury, user must read and understand operator's manual before using this product.
	Eye Protection	Always wear eye protection with side shields marked to comply with ANSI Z87.1.
	Wet Conditions Alert	Do not expose to rain or use in damp locations.
	No Hands Symbol	Failure to keep your hands away from the blade will result in serious personal injury.
	Recycle Symbols	This product uses nickel-cadmium (Ni-Cd) and lithium-ion (Li-ion) batteries. Local, state or federal laws may prohibit disposal of batteries in ordinary trash. Consult your local waste authority for information regarding available recycling and/or disposal options.
==	Direct Current	Type or a characteristic of current
n_0	No Load Speed	Rotational speed, at no load
.../min	Per Minute	Revolutions, strokes, surface speed, orbits etc., per minute
V	Volts	Voltage
A	Amperes	Current
Hz	Hertz	Frequency (cycles per second)
min	Minutes	Time

FEATURES

PRODUCT SPECIFICATIONS

Motor	19.2 V DC	No Load Speed	0-3,100 s/min. (SPM)
Switch.....	Variable Speed	Stroke Length.....	7/8 in.

KNOW YOUR RECIPROCATING SAW

See Figure 1, page i.

The safe use of this product requires an understanding of the information on the tool and in this operator's manual as well as a knowledge of the project you are attempting. Before use of this product, familiarize yourself with all operating features and safety rules.

BLADE CLAMP LEVER

The saw has a blade clamp design that does not require the use of a tool (blade wrench) when installing or removing the blade.

C3 ENERGY INDICATOR WINDOW

The C3 energy indicator window located on the side of the handle, just above the base, will light when you install the battery pack listed in the note below.

NOTE: This feature only works with Craftsman 19.2V lithium-ion battery pack 113710 or PP2000. Battery pack must have charge. Feature will not light with Craftsman 19.2V nickel-cadmium battery packs.

HEX KEY STORAGE

A hex key storage slot is conveniently located on the bottom portion of the saw handle. Insert the provided hex key into the storage slot when not in use.

LOCK-OFF BUTTON

The saw is equipped with a "lock-off" button which reduces the possibility of accidental starting. The lock-off button is located on the handle above the switch trigger.

VARIABLE SPEED


The saw has a variable speed switch that delivers higher speed with increased trigger pressure.

ASSEMBLY

UNPACKING

This product has been shipped completely assembled.


- Carefully remove the tool and any accessories from the box. Make sure that all items listed in the packing list are included.


 **WARNING:** Do not use this product if it is not completely assembled or if any parts appear to be missing or damaged. Use of a product that is not properly and completely assembled could result in serious personal injury.


- Inspect the tool carefully to make sure no breakage or damage occurred during shipping.
- Do not discard the packing material until you have carefully inspected and satisfactorily operated the tool.
- If any parts are damaged or missing, please call 1-800-932-3188 for assistance.

PACKING LIST

Reciprocating Saw
Blades (2)
Hex Key
Operator's Manual

 **WARNING:** If any parts are damaged or missing do not operate this tool until the parts are replaced. Use of this product with damaged or missing parts could result in serious personal injury.

 **WARNING:** Do not attempt to modify this tool or create accessories not recommended for use with this tool. Any such alteration or modification is misuse and could result in a hazardous condition leading to possible serious personal injury.

 **WARNING:** To prevent accidental starting that could cause serious personal injury, always remove the battery pack from the tool when assembling parts.

OPERATION

⚠ WARNING: Do not allow familiarity with tools to make you careless. Remember that a careless fraction of a second is sufficient to inflict serious injury.

⚠ WARNING: Always wear eye protection with side shields marked to comply with ANSI Z87.1. Failure to do so could result in objects being thrown into your eyes resulting in possible serious injury.

⚠ WARNING: Do not use any attachments or accessories not recommended by the manufacturer of this tool. The use of attachments or accessories not recommended can result in serious personal injury.

APPLICATIONS

You may use this product for the purposes listed below:

- Cutting all types of wood products (lumber, plywood, paneling, composition board, and hard wood)
- Cutting masonite and plastic
- Cutting drywall
- Cutting metals such as sheet steel, pipe, steel rods, aluminum, brass, and copper

This product will accept Craftsman 19.2 V lithium-ion battery packs and Craftsman 19.2 V nickel-cadmium battery packs.

For complete charging instructions, see the Operator's Manuals for your battery pack and charger models.

BATTERY PROTECTION FEATURES

Craftsman 19.2 V lithium-ion batteries are designed with features that protect the lithium-ion cells and maximize battery life. Under some operating conditions, these built-in features may cause the battery and the tool it is powering to act differently from nickel-cadmium batteries.

During some applications, the battery electronics may signal the battery to shut down, and cause the tool to stop running. To reset the battery and tool, release the trigger and resume normal operation.

NOTE: To prevent further shut down of the battery, avoid forcing the tool.

If releasing the trigger does not reset the battery and tool, the battery pack is depleted. If depleted, the battery pack will begin charging when placed on the lithium-ion charger.

TO INSTALL/REMOVE BATTERY PACK

See Figure 2, page i.

TO INSTALL:

- Place the battery pack in the saw aligning raised rib on battery pack with groove in saw's battery port.
- Make sure the latches on each side of the battery pack snap into place and battery pack is secured to saw before beginning operation.

CAUTION: When placing battery pack in the tool, be sure raised rib on battery pack aligns with the bottom of the saw and latches into place properly. Improper installation of the battery pack can cause damage to internal components.

⚠ WARNING: Always remove battery pack from your tool when you are assembling parts, making adjustments, cleaning, or when not in use. Removing battery pack will prevent accidental starting that could cause serious personal injury.

TO REMOVE:

- Locate latches on side of battery pack and depress to release battery pack from the saw.
- Remove battery pack from the saw.

⚠ WARNING: Battery tools are always in operating condition. Therefore, switch should always be locked when not in use or carrying at your side.

SELECTING BLADES

Selecting the correct type of blade is important in order to obtain the best performance from the saw. Select the blade based on the application and on the material you wish to cut. Selecting the right blade will give you a smoother, faster cut and prolong the life of the blade.

Blades with fewer teeth, 10 teeth per inch (TPI) are typically used for cutting wood, while blades with more teeth are better for cutting metal or plastic. We recommend 14 TPI for plastics and soft metals and 18 TPI for hard metals.

INSTALLING/REMOVING BLADE

See Figure 3, page i.

- Remove battery pack.
- Lift blade clamp lever located on side of saw.
- Insert saw blade between blade clamp and saw bar.
NOTE: Blade can be installed with teeth facing either up or down.
- Lower blade clamp to lock blade.
- Replace battery pack.

OPERATION


SHOE ASSEMBLY

See Figure 4, page i.

The shoe assembly of the reciprocating saw pivots up and down in both directions. It is adjustable, allowing the use of the blade teeth at different positions on the blade.

TO CHANGE POSITIONS OF SHOE ASSEMBLY:

- Remove battery pack.
- Loosen the set screw in the gear frame with the hex key provided with this saw.
- Reposition shoe assembly to desired position.
- Retighten set screw securely. **Do not** overtighten screw or use an aid with the hex key.
- Remove hex key and store it in the hex key storage slot.

 **WARNING:** Make sure blade does not touch work until motor reaches full speed, since this could cause loss of control resulting in serious injury.

TURNING THE SAW ON/OFF

- **To turn the saw on:** Depress the lock-off button. Pull the switch trigger. You can depress the lock-off button from either the left or right side.
- **To turn the saw off:** Release the switch trigger.

LOCK-OFF BUTTON

The saw is equipped with a “lock-off” button which reduces the possibility of accidental starting. The lock-off button is located on the handle above the switch trigger. You must depress the lock-off button in order to pull the switch trigger. The lock resets each time the trigger is released.

NOTE: You can depress the lock-off button from either the left or right side.

GENERAL CUTTING

See Figure 5, page ii.

Hold the saw firmly in front of and clearly away from you. Make sure saw blade is clear of any foreign material. Be sure material to be cut is held firmly. Small work pieces should be securely clamped in a vise or with clamps to the work bench or table.

- Mark the line of cut clearly.
- Depress the lock-off button, then pull switch trigger to start the cutting action.
- Place the shoe assembly against the work, then move the blade into the work.

Do not force. Use only enough pressure to keep the saw cutting. Let the blade and saw do the work. Use of excessive pressure that causes bending or twisting of the blade may result in broken blades.

PLUNGE CUTTING

See Figure 6, page ii.

- Mark the line of cut clearly.
- Choose a convenient starting point inside the area to be cut out and place the tip of the blade over that point.
- Rest front edge of shoe assembly on work and hold firmly in position.
- Depress the lock-off button, then pull switch trigger to start the cutting action.
- With saw blade at full cutting speed, slowly tilt saw downward until tip of blade starts cutting work.
- After blade penetrates work, tilt saw until blade is perpendicular to the work.

METAL CUTTING

See Figure 7, page ii.

Metals such as sheet steel, pipe, steel rods, aluminum, brass, and copper may be cut with the saw. Be careful not to twist or bend the saw blade. **Do not force.** We recommend using cutting oil when cutting most soft metals and steel. Cutting oil will also keep blades cool, increase cutting action, and prolong blade life.

Never use gasoline since normal sparking of motor could ignite fumes. Clamp the work firmly and cut close to the clamping point to eliminate any vibration of the work being cut. When cutting conduit pipe or angle iron, clamp work in a vise if possible and cut close to the vise. To cut thin sheet material, “sandwich” the material between hardboard or plywood and clamp the layers to eliminate vibration and material tearing.

MAINTENANCE

⚠ WARNING: When servicing, use only identical Craftsman replacement parts. Use of any other part may create a hazard or cause product damage.

⚠ WARNING: Always wear eye protection with side shields marked to comply with ANSI Z87.1. Failure to do so could result in objects being thrown into your eyes resulting in possible serious injury.

⚠ WARNING: To avoid serious personal injury, always remove the battery pack from the tool when cleaning or performing any maintenance.

GENERAL MAINTENANCE

Avoid using solvents when cleaning plastic parts. Most plastics are susceptible to damage from various types of commercial solvents and may be damaged by their use. Use clean cloths to remove dirt, dust, oil, grease, etc.

⚠ WARNING: Do not at any time let brake fluids, gasoline, petroleum-based products, penetrating oils, etc. come in contact with plastic parts. Chemicals can damage, weaken or destroy plastic which may result in serious personal injury.

Only the parts shown on the parts list are intended to be repaired or replaced by the customer. All other parts should be replaced at a Sears Service Center.

BATTERY PACK REMOVAL AND PREPARATION FOR RECYCLING

⚠ WARNING: Upon removal, cover the battery pack's terminals with heavy-duty adhesive tape. Do not attempt to destroy or disassemble battery pack or remove any of its components. Lithium-ion and nickel-cadmium batteries must be recycled or disposed of properly. Also, never touch both terminals with metal objects and/or body parts as short circuit may result. Keep away from children. Failure to comply with these warnings could result in fire and/or serious injury.

ACCESSORIES

Look for these accessories at Sears retail:

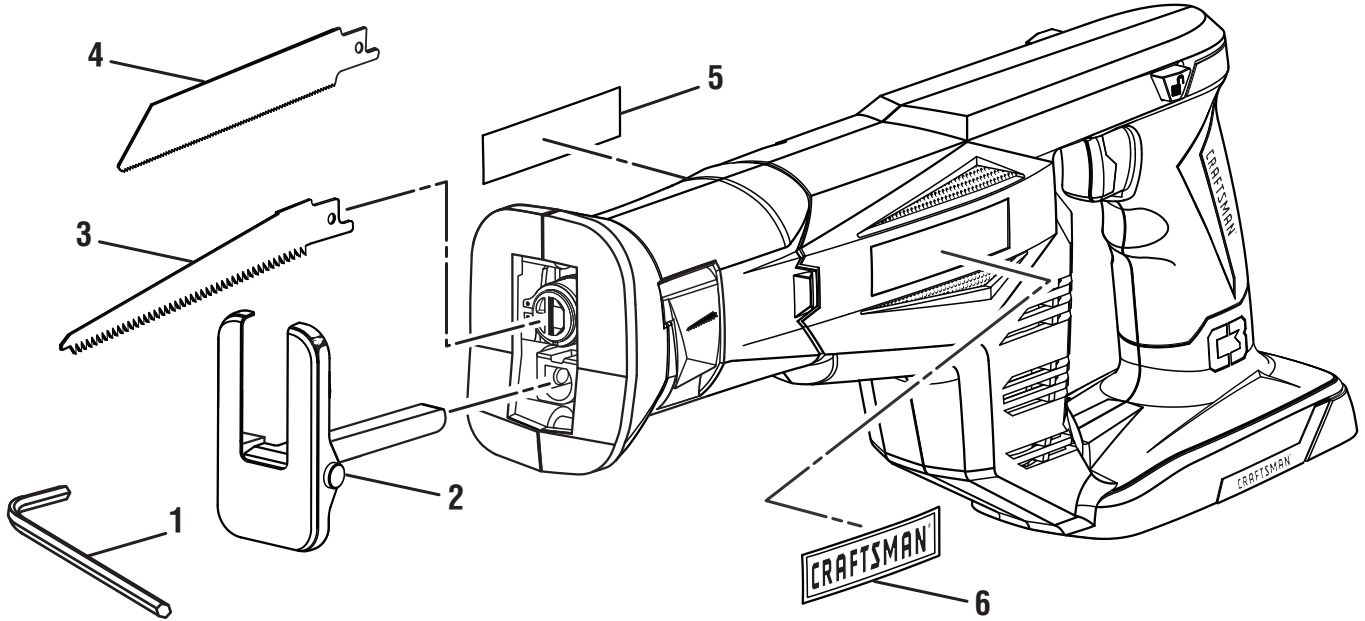
BLADE TYPES	LENGTH IN.	TEETH PER IN.
For fast smooth cuts in woods, masonite, plastics, hard composition board and all plunge cutting. Keyhole blade shape permits cutting in hard to reach areas.....	6	6
For fast, smooth, deep cuts through thick wood, plastic, composition board, and hardboard.....	12	6
For rough cuts in wood.	12	6
High speed steel blade for cutting ferrous metals less than 1/8 in. thick and for cutting tubing or pipe with a 1/8 in. thick wall section or less.	4	24

⚠ WARNING: Current attachments and accessories available for use with this tool are listed above. Do not use any attachments or accessories not recommended by the manufacturer of this tool. The use of attachments or accessories not recommended can result in serious personal injury.

CRAFTSMAN 19.2 VOLT RECIPROCATING SAW – MODEL NO. 315.CRS1000

The model number will be found on a label attached to the motor housing. Always mention the model number in all correspondence regarding your **RECIPROCATING SAW** or when ordering repair parts.

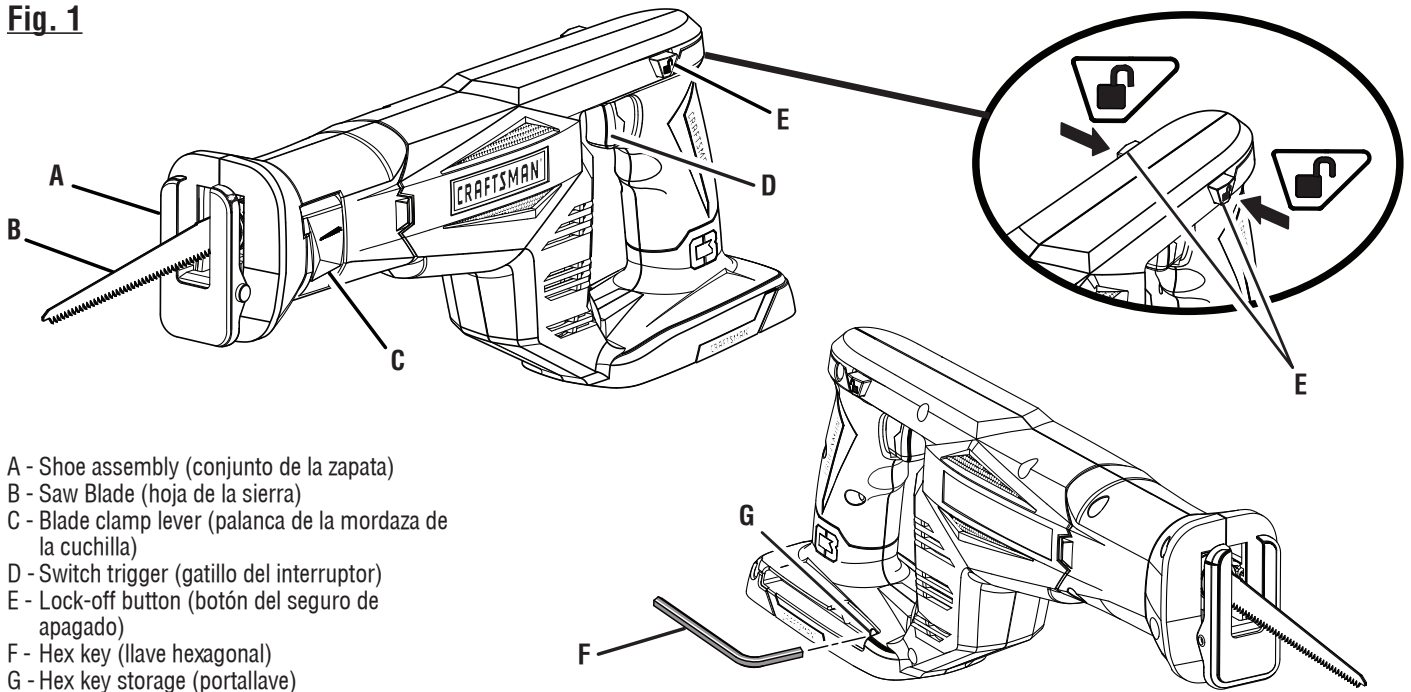
SEE BACK PAGE FOR PARTS ORDERING INSTRUCTIONS



PARTS LIST

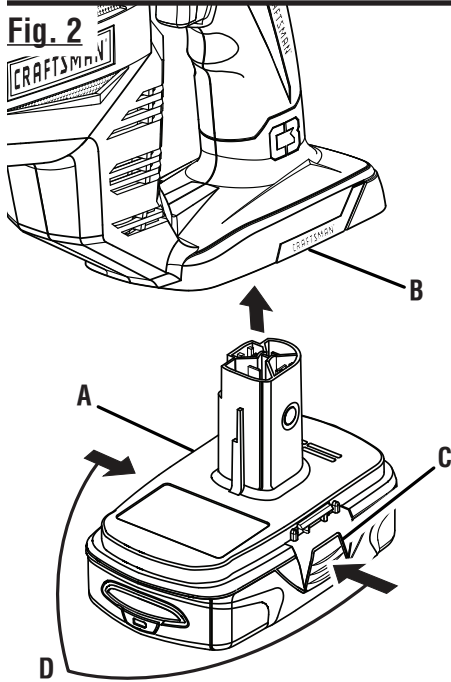
Key No.	Part Number	Description	Qty.
1	6800201	Hex Key (5 mm).....	1
2	300216039	Shoe Assembly	1
3	690291006	Saw Blade (Wood Cutting)	1
4	690292006	Saw Blade (Metal Cutting).....	1
5	940207043	Data Label	1
6	940114267	Logo Label	1
	987000-846	Operator's Manual (Not Shown)	

Fig. 1



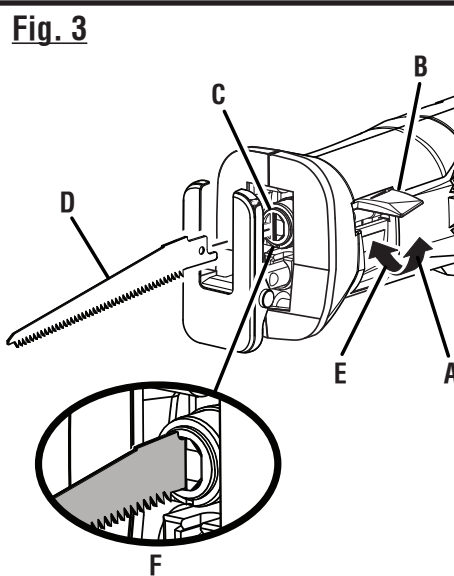
- A - Shoe assembly (conjunto de la zapata)
- B - Saw Blade (hoja de la sierra)
- C - Blade clamp lever (palanca de la mordaza de la cuchilla)
- D - Switch trigger (gatillo del interruptor)
- E - Lock-off button (botón del seguro de apagado)
- F - Hex key (llave hexagonal)
- G - Hex key storage (portallave)

Fig. 2



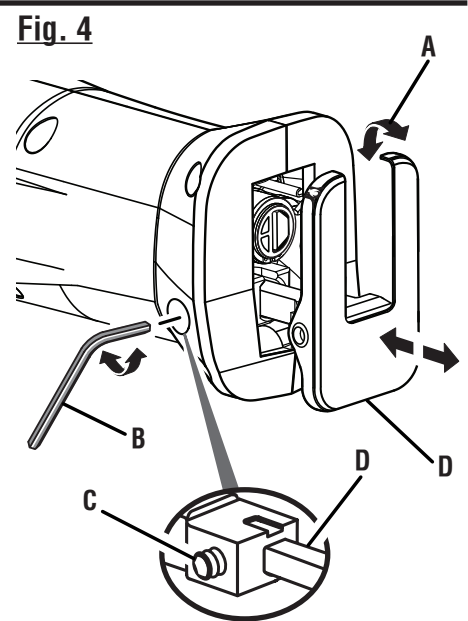
- A - Battery pack (paquete de baterías)
- B - Battery port (receptáculo de las baterías)
- C - Latch (pestillo)
- D - Depress latch to release battery pack (para soltar el paquete de baterías oprima el pestillo)

Fig. 3



- A - To install / release (para instalar o soltar)
- B - Blade clamp lever (palanca de la mordaza de la cuchilla)
- C - Blade clamp (mordaza de la cuchilla)
- D - Blade (hoja)
- E - To lock (para asegurar)
- F - Blade shown correct in saw bar (la hoja aparece montada correctamente en la barra de la sierra)

Fig. 4



- A - Pivot (pivote)
- B - Hex key (tornillo fijador)
- C - Set screw (llave hexagonal)
- D - Shoe assembly (conjunto de la zapata)

Fig. 5

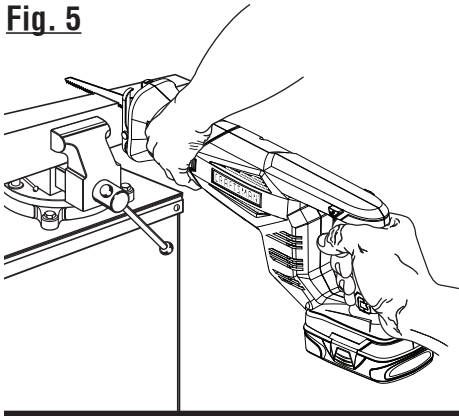


Fig. 6

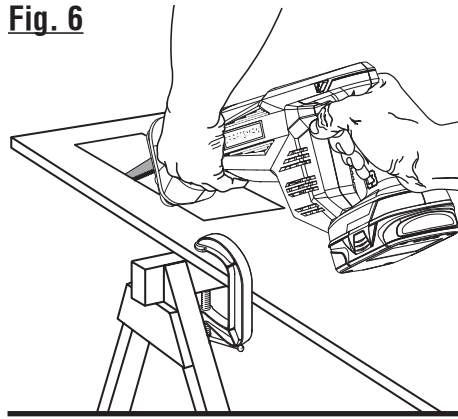
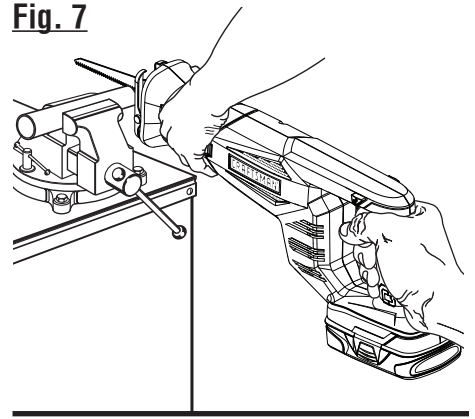


Fig. 7



ADVERTENCIAS DE SEGURIDAD PARA HERRAMIENTAS ELÉCTRICAS

⚠ ADVERTENCIA Lea todas las advertencias de seguridad y todas instrucciones. El incumplimiento de las advertencias e instrucciones puede ocasionar descarga eléctrica, fuego o lesiones graves.

Guarde todas las advertencias e instrucciones para futuras consultas. El término “herramienta eléctrica” empleado en todos los avisos de advertencia enumerados abajo se refiere a las herramientas eléctricas de cordón (alámbricas) y de baterías (inalámbricas).

SEGURIDAD EN EL ÁREA DE TRABAJO

- **Mantenga limpia y bien iluminada el área de trabajo.** Un área de trabajo mal despejada o mal iluminada propicia accidentes.
- **No utilice herramientas motorizadas en atmósferas explosivas, como las existentes alrededor de líquidos, gases y polvos inflamables.** Las herramientas eléctricas generan chispas que pueden encender el polvo y los vapores inflamables.
- **Mantenga alejados a los niños y circunstantes al maniobrar una herramienta eléctrica.** Toda distracción puede causar pérdida del control de la herramienta.

SEGURIDAD ELÉCTRICA

- **Las clavijas de las herramientas eléctricas deben corresponder a las tomas de corriente donde se conectan. Nunca modifique la clavija de ninguna forma. No utilice ninguna clavija adaptadora con herramientas eléctricas dotadas de contacto a tierra.** Conectando las clavijas originales en las tomas de corriente donde corresponden se disminuye el riesgo de una descarga eléctrica.
- **Evite el contacto del cuerpo con las superficies de objetos que estén haciendo tierra o estén conectados a ésta, como tuberías, radiadores, estufas y refrigeradores.** Existe un mayor riesgo de descargas eléctricas si el cuerpo está haciendo tierra.
- **No esponga las herramientas eléctricas a la lluvia ni a condiciones de humedad.** La introducción de agua en una herramienta eléctrica aumenta el riesgo de descargas eléctricas.
- **No maltrate el cordón eléctrico. Nunca utilice el cordón para trasladar, desconectar o tirar de la herramienta eléctrica. Mantenga el cordón alejado del calor, del aceite, de bordes afilados y de piezas móviles.** Los cordones eléctricos dañados o enredados aumentan el riesgo de descargas eléctricas.
- **Al utilizar una herramienta eléctrica a la intemperie, use un cordón de extensión apropiado para el exterior.** Usando un cordón adecuado para el exterior se disminuye el riesgo de descargas eléctricas.

- **Si inevitablemente debe utilizar una herramienta eléctrica en un lugar húmedo, utilice un interruptor de circuito con pérdida a tierra (GFCI) para tener un suministro protegido.** El uso de un GFCI disminuye el riesgo de descarga eléctrica.
- **Cargue las baterías solamente con el cargador indicado.** Para utilizar con paquetes de baterías de níquel-cadmio de 19,2 V o de iones de litio de 19,2 V, consulte el folleto de la herramienta/aparato/paquete de baterías/cargador complementario 988000-272.

SEGURIDAD PERSONAL

- **Permanezca alerta, preste atención a lo que esté haciendo y aplique el sentido común al utilizar herramientas eléctricas. No utilice la herramienta eléctrica si está cansado o se encuentra bajo los efectos de alguna droga, alcohol o medicamento.** Un momento de inatención al utilizar una herramienta eléctrica puede causar lesiones corporales serias.
- **Use equipo de seguridad. Siempre póngase protección ocular.** El uso de equipo de seguridad como mascarilla para el polvo, calzado de seguridad, casco y protección para los oídos en las circunstancias donde corresponda disminuye el riesgo de lesiones.
- **Evite un arranque accidental de la unidad. Asegúrese de que el interruptor esté en la posición de apagado antes de conectar la herramienta.** Portar las herramientas eléctricas con el dedo en el interruptor, o conectarlas con el interruptor puesto, propicia accidentes.
- **Retire toda llave o herramienta de ajuste antes de encender la herramienta eléctrica.** Toda llave o herramienta de ajuste dejada en una pieza giratoria de la herramienta eléctrica puede causar lesiones.
- **No estire el cuerpo para alcanzar mayor distancia. Mantenga una postura firme y buen equilibrio en todo momento.** De esta manera se logra un mejor control de la herramienta eléctrica en situaciones inesperadas.
- **Vístase adecuadamente. No vista ropas holgadas ni joyas. Mantenga el cabello, la ropa y los guantes alejados de las piezas móviles.** Las ropas holgadas, las joyas y el cabello largo pueden engancharse en las piezas móviles.
- **Si se suministran dispositivos para conectar mangueras de extracción y captación de polvo, asegúrese de que éstas estén bien conectadas y se usen correctamente.** La utilización de estos dispositivos puede disminuir los peligros relacionados con el polvo.
- **No vista ropas holgadas ni joyas. Recójase el cabello si está largo.** Las ropas holgadas y las joyas, así como el cabello largo, pueden resultar atraídas hacia el interior de las aberturas de ventilación.

ADVERTENCIAS DE SEGURIDAD PARA HERRAMIENTAS ELÉCTRICAS

- **No utilice la unidad al estar en una escalera o en un soporte inestable.** Una postura estable sobre una superficie sólida permite un mejor control de la herramienta eléctrica en situaciones inesperadas.

EMPLEO Y CUIDADO DE LA HERRAMIENTA ELÉCTRICA

- **No fuerce la herramienta eléctrica. Utilice la herramienta eléctrica adecuada para cada trabajo.** La herramienta eléctrica adecuada efectúa mejor y de manera más segura el trabajo, si además se maneja a la velocidad para la que está diseñada.
- **No utilice la herramienta si el interruptor no enciende o no apaga.** Cualquier herramienta eléctrica que no pueda controlarse con el interruptor es peligrosa y debe repararse.
- **Desconecte la clavija del suministro de corriente o retire el paquete de baterías de la herramienta eléctrica, según sea el caso, antes de efectuarle cualquier ajuste, cambiarle accesorios o guardarla.** Tales medidas preventivas de seguridad reducen el riesgo de poner en marcha accidentalmente la herramienta.
- **Guarde las herramientas eléctricas desocupadas fuera del alcance de los niños y no permita que las utilicen personas no familiarizadas con las mismas o con estas instrucciones.** Las herramientas eléctricas son peligrosas en manos de personas no capacitadas en el uso de las mismas.
- **Preste servicio a las herramientas eléctricas. Revise para ver si hay desalineación o atoramiento de piezas móviles, ruptura de piezas o cualquier otra condición que pueda afectar el funcionamiento de la herramienta. Si está dañada la herramienta eléctrica, permita que la reparen antes de usarla.** Numerosos accidentes son causados por herramientas eléctricas mal cuidadas.
- **Mantenga las herramientas de corte afiladas y limpias.** Las herramientas de corte bien cuidadas y con bordes bien afilados, tienen menos probabilidad de atascarse en la pieza de trabajo y son más fáciles de controlar.
- **Utilice la herramienta eléctrica, los accesorios y brocas, hojas y cuchillas de corte, ruedas de esmeril, etc. de conformidad con estas**

instrucciones, tomando en cuenta las condiciones de trabajo y la tarea por realizar. Si se utiliza la herramienta eléctrica para operaciones diferentes de las indicadas podría originar una situación peligrosa.

EMPLEO Y CUIDADO DE LA HERRAMIENTA DE BATERÍAS


- **Asegúrese de que el interruptor esté en la posición de apagado antes de introducir el paquete de pilas.** Introducir el paquete de pilas en una herramienta eléctrica que tenga el interruptor en encendido propicia accidentes.
- **Sólo cargue el paquete de pilas con el cargador especificado por el fabricante.** Un cargador adecuado para un tipo paquete de pilas puede significar un riesgo de incendio si se emplea con un paquete de pilas diferente.
- **Utilice las herramientas eléctricas sólo con los paquetes de pilas específicamente indicados.** El empleo de paquetes de pilas diferentes puede presentar un riesgo de incendio.
- **Cuando no esté utilizándose el paquete de pilas, manténgalo lejos de otros objetos metálicos como clips, monedas, llaves, clavos, tornillos y otros objetos metálicos pequeños que puedan establecer conexión entre ambas terminales.** Establecer una conexión directa entre las dos terminales de las pilas puede causar quemaduras o incendios.
- **Si se maltratan las pilas, puede derramarse líquido de las mismas; evite todo contacto con éste. En caso de contacto, lávese con agua. Si el líquido llega a tocar los ojos, además busque atención médica.** El líquido de las pilas puede causar irritación y quemaduras.

SERVICIO

- **Permita que un técnico de reparación calificado preste servicio a la herramienta eléctrica, y sólo con piezas de repuesto idénticas.** De esta manera se mantiene la seguridad de la herramienta eléctrica.
- **Al dar servicio a una herramienta eléctrica, sólo utilice piezas de repuesto idénticas. Siga las instrucciones señaladas en la sección Mantenimiento de este manual.** El empleo de piezas no autorizadas o el incumplimiento de las instrucciones de mantenimiento puede significar un riesgo de descarga eléctrica o de lesiones.

ADVERTENCIAS DE SEGURIDAD SIERRA ALTERNATIVA

- **Sujete la herramienta eléctrica por las superficies aisladas de sujeción al efectuar una operación en la cual la herramienta de corte pueda entrar en contacto con cables ocultos.** Al cortar un accesorio que se encuentre en contacto con un cable con corriente, las piezas metálicas de la herramienta eléctrica podrían “cargarse con corriente” y el operador podría sufrir una descarga eléctrica.
- **Utilice prensas o cualquier otro medio práctico de asegurar y sostener la pieza de trabajo en una plataforma segura.** Sostener la pieza con la mano o contra el cuerpo lo hace inestable y puede causar una pérdida de control.
- **Familiarícese con su herramienta eléctrica. Lea cuidadosamente el manual del operador. Aprenda sus usos y limitaciones, así como los posibles peligros específicos de esta herramienta eléctrica.** Con el cumplimiento de esta regla se reduce el riesgo de una descarga eléctrica, incendio o lesión seria.
- **Siempre póngase protección ocular con la marca de cumplimiento de la norma ANSI Z87.1.** Si no cumple esta advertencia, los objetos que salen despedidos pueden producirle lesiones serias en los ojos.
- **Protéjase los pulmones. Use una careta o mascarilla contra el polvo si la operación genera mucho polvo.** Con el cumplimiento de esta regla se reduce el riesgo de lesiones serias.
- **Protéjase los oídos. Durante períodos prolongados de utilización del producto, póngase protección para los oídos.** Con el cumplimiento de esta regla se reduce el riesgo de lesiones corporales serias.
- **No se necesita conectar a una toma de corriente las herramientas de baterías; por lo tanto, siempre están en condiciones de funcionamiento. Esté consciente de los posibles peligros cuando no esté usando la herramienta de baterías o cuando esté cambiando los accesorios de la misma.** Con el cumplimiento de esta regla se reduce el riesgo de una descarga eléctrica, incendio o lesión corporal seria.
- **No coloque herramientas de baterías ni las baterías mismas cerca del fuego o del calor.** De esta manera se reduce el riesgo de explosiones y de lesiones.
- **No aplaste, deje caer o dañe de baterías. Nunca utilice una batería o cargador que se ha caído, aplastado, recibido un golpe contundente o ha sido dañado(a) de alguna manera.** Las baterías dañadas pueden sufrir explosiones. Deseche de inmediato toda batería que haya sufrido una caída o cualquier daño.
- **Las baterías pueden explotar en presencia de fuentes de inflamación, como los pilotos de gas.** Para reducir el riesgo de lesiones serias, nunca use un producto inalámbrico en presencia de llamas expuestas. La explosión de una batería puede lanzar fragmentos y compuestos químicos. Si ha quedado expuesto a la explosión de una batería, lávese de inmediato con agua.
- **No cargue herramientas de baterías en lugares mojados o húmedos.** Con el cumplimiento de esta regla se reduce el riesgo de una descarga eléctrica.
- **Para obtener resultados óptimos, debe cargar la herramienta de baterías en un lugar donde la temperatura esté entre 10 y 38 °C (entre 50 y 100 °F). No guarde la herramienta a la intemperie ni en el interior de vehículos.**
- **En condiciones extremas de uso o temperatura las baterías pueden emanar líquido. Si el líquido llega a tocarle la piel, lávese de inmediato con agua y jabón. Si le entra líquido en los ojos, láveselos con agua limpia por lo menos 10 minutos, y después busque de inmediato atención médica.** Con el cumplimiento de esta regla se reduce el riesgo de lesiones corporales serias.
- **Guarde estas instrucciones.** Consúltelas con frecuencia y empléelas para instruir a otras personas que puedan utilizar esta herramienta. Si presta a alguien esta herramienta, facilítele también las instrucciones.

 **ADVERTENCIA:** Algunos polvos generados al efectuarse operaciones de lijado, aserrado, esmerilado, taladrado y de otros tipos en la construcción, contienen sustancias químicas sabidas causantes de cáncer, defectos congénitos y otras afecciones del aparato reproductor. Algunos ejemplos de estas sustancias químicas son:

- plomo de las pinturas a base de plomo,
- silicio cristalino de los ladrillos, del cemento y de otros productos de albañilería, y
- arsénico y cromo de la madera químicamente tratada.

El riesgo de la exposición a estos compuestos varía, según la frecuencia con que se realice este tipo de trabajo. Para reducir la exposición personal a este tipo de compuestos: trabaje en áreas bien ventiladas, y con equipo de seguridad aprobado, tal como las caretas para el polvo especialmente diseñadas para filtrar partículas microscópicas.

SÍMBOLOS

Las siguientes palabras de señalización y sus significados tienen el objeto de explicar los niveles de riesgo relacionados con este producto.

SÍMBOLO	SEÑAL	SIGNIFICADO
	PELIGRO:	Indica una situación peligrosa inminente, la cual, si no se evita, causará la muerte o lesiones serias.
	ADVERTENCIA:	Indica una situación peligrosa posible, la cual, si no se evita, podría causar la muerte o lesiones serias.
	PRECAUCIÓN:	Indica una situación potencialmente peligrosa la cual, si no se evita, puede causar lesiones leves o moderadas.
	PRECAUCIÓN:	(Sin el símbolo de alerta de seguridad) Indica una situación que puede producir daños materiales.

Es posible que se empleen en este producto algunos de los siguientes símbolos. Le suplicamos estudiarlos y aprender su significado. Una correcta interpretación de estos símbolos le permitirá utilizar mejor y de manera más segura el producto.

SÍMBOLO	NOMBRE	DENOMINACIÓN/EXPLICACIÓN
	Alerta de seguridad	Indica un peligro posible de lesiones personales.
	Lea anual del operador	Para reducir el riesgo de lesiones, el usuario debe leer y comprender el manual del operador antes de usar este producto.
	Protección ocular	Siempre póngase protección ocular con la marca de cumplimiento de la norma ANSI Z87.1.
	Alerta de condiciones húmedas	No exponga la unidad a la lluvia ni la use en lugares húmedos.
	Símbolo de no acercar las manos	Si no mantiene las manos alejadas de la hoja de corte, se causará serias lesiones corporales.
	Símbolo de reciclado	Este producto contiene baterías de níquel-cadmio (Ni-Cd) o iones de litio (Li-ion). Es posible que algunas leyes municipales, estatales o federales prohíban desechar las baterías de níquel-cadmio en la basura normal. Consulte a las autoridades reguladoras de desechos para obtener información en relación con las alternativas de reciclado y desecho disponibles.
	Corriente continua	Tipo o característica de corriente
n_0	Velocidad en vacío	Velocidad de rotación, en vacío
.../min	Por minuto	Revoluciones, carreras, velocidad superficial, órbitas, etc., por minuto
V	Volts	Voltaje
A	Amperes	Corriente
Hz	Hertz	Frecuencia (ciclos por segundo)
min	Minutos	Tiempo

CARACTERÍSTICAS

ESPECIFICACIONES DEL PRODUCTO

Motor 19,2 voltio corr. cont.
Interruptor.....Velocidad variable

Velocidad en vacío De 0 a 3 100 carr. s/min. (SPM)
Longitud de la carrera 7/8 pulg. (22,2 mm)

FAMILIARÍCESE CON LA SIERRA ALTERNATIVA

Vea la figura 1, página i.

Para usar este producto con la debida seguridad se debe comprender la información indicada en la herramienta misma y en este manual, y se debe comprender también el trabajo que intenta realizar. Antes de usar este producto, familiarícese con todas las características de funcionamiento y normas de seguridad del mismo

PALANCA DE LA MORDAZA DE LA CUCHILLA

La mordaza de la hoja de la sierra no requiere ninguna herramienta (llave de la hoja) al instalarse o desmontarse la hoja.

VISOR DEL INDICADOR DE ENERGÍA C3

El visor del indicador de energía C3 situado en el lateral del mango (justo encima de la base) se encenderá cuando instale el paquete de baterías que se menciona en la siguiente nota.

NOTA: Esta característica funciona solamente con los paquetes de batería de iones de litio Craftsman de 19,2

V 113710 o PP2000. El paquete de baterías debe tener carga. No se encenderá con paquetes de baterías de níquel-cadmio Craftsman de 19,2 V.

PORTALLAVE

La sierra se suministra con una llave hexagonal. Una útil característica de la sierra es el portallave. Es una ranura situada en la parte inferior del mango de la sierra. Es útil para guardar la llave hexagonal cuando no está usándose.

BOTÓN DEL SEGURO DE APAGADO

La sierra está dotada de un botón de “seguro de apagado”, el cual reduce la posibilidad de un arranque accidental. El botón del seguro de apagado se encuentra en el mango, arriba del gatillo del interruptor.

VELOCIDAD VARIABLE

Esta herramienta dispone de un interruptor de velocidad variable, el cual produce mayor velocidad cuanto mayor presión se aplica en el mismo.

ARMADO

DESEMPAQUETADO

Embarcamos este producto completamente armado.

- Extraiga cuidadosamente de la caja la herramienta y los accesorios. Asegúrese de que estén presentes todos los artículos enumerados en la lista de empaquetado.

⚠ ADVERTENCIA: Ne pas utiliser le produit s'il n'est pas complètement assemblé ou si des pièces semblent manquantes ou endommagées. Le fait d'utiliser un produit assemblé de façon inadéquate ou incomplète peut entraîner des blessures graves.

- Inspeccione cuidadosamente la herramienta para asegurarse de que no haya sufrido ninguna rotura o daño durante el transporte.
- No deseche el material de empaquetado hasta que haya inspeccionado cuidadosamente la herramienta y la haya utilizado satisfactoriamente.
- Si hay piezas dañadas o faltantes, le suplicamos llamar al 1-800-932-3188, donde le brindaremos asistencia.

LISTA DE EMPAQUETADO

Sierra alternativa
Hojas (2)
Llave hex.
Manual del operador

⚠ ADVERTENCIA: Si hay piezas dañadas o faltantes, no utilice esta herramienta sin haber reemplazado todas las piezas. Usar este producto con partes dañadas o faltantes puede causar lesiones serias al operador.

⚠ ADVERTENCIA: No intente modificar esta herramienta ni hacer accesorios no recomendados para la misma. Cualquier alteración o modificación constituye maltrato el cual puede causar una condición peligrosa, y como consecuencia posibles lesiones corporales serias.

⚠ ADVERTENCIA: Para evitar un arranque accidental que podría causar lesiones corporales serias, siempre desmonte de la herramienta el paquete de al montarle piezas a aquélla.

FUNCIONAMIENTO

⚠️ ADVERTENCIA: No permita que su familiarización con las herramientas lo vuelva descuidado. Tenga presente que un descuido de un instante es suficiente para causar una lesión grave.

⚠️ ADVERTENCIA: Siempre póngase protección ocular con la marca de cumplimiento de la norma ANSI Z87.1. Si no cumple esta advertencia, los objetos que salen despedidos pueden producirle lesiones serias en los ojos.

⚠️ ADVERTENCIA: No utilice ningún aditamento o accesorio no recomendado por el fabricante de esta herramienta. El empleo de aditamentos o accesorios no recomendados podría causar lesiones serias.

APLICACIONES

Este producto puede emplearse para los fines siguientes:

- Corta todo tipo de productos de madera (madera aserrada, madera contrachapada, paneles, madera compuesta y madera dura)
- Corta masontía y plástico.
- Corta drywall.
- Corta metales tales como acero en chapa, tubos, varillas de acero, aluminio, latón y cobre.

Este producto acepta los paquetes de baterías Craftsman de iones de litio de 19,2 V y los paquetes de baterías Craftsman de níquel-cadmio de 19,2 V.

Para ver las instrucciones de carga completas, consulte los manuales del operador del paquete de baterías Craftsman y los modelos de cargador.

CARACTERÍSTICAS DE PROTECCIÓN DE LAS BATERÍAS

Las baterías de iones de litio de Craftsman de 19,2 V están diseñadas con características que protegen las celdas de iones de litio y maximizan la duración de las baterías. En ciertas condiciones de funcionamiento, estas características integradas pueden hacer que la batería y la herramienta que está encendiendo actúen de manera diferente a la mayoría de las baterías níquel-cadmio.

Durante algunas aplicaciones, el sistema electrónico de la batería puede indicar a la batería que se apague y hacer que la herramienta deje de funcionar. Para reajustar la batería y la herramienta, suelte el gatillo y reanude el funcionamiento normal.

NOTA: Para evitar que la batería se vuelva a apagar, evite forzar la herramienta.

Si al soltar el gatillo no se reajustan la batería y la herramienta, el paquete de baterías está agotado. Si está agotado, el paquete de baterías comenzará a cargarse cuando se coloque en el cargador de iones de litio.

INSTALACIÓN Y DESMONTAJE DEL PAQUETE DE BATERÍAS

Vea la figura 2, página i.

PARA EL MONTAJE:

- Coloque el paquete de baterías en la sierra. Alinee la costilla realizada del paquete de baterías con la ranura situada en el interior de la sierra.
- Asegúrese de que los pestillos situados en ambos lados del paquete de baterías entren completamente en su lugar con un chasquido, y de que el paquete quede bien fijo en la sierra antes de empezar a utilizar éste.

PRECAUCIÓN: Al colocar el paquete de baterías en la herramienta, asegúrese que la costilla realizada del mismo quede alineada con la parte inferior de la sierra y de que los pestillos entren adecuadamente en su lugar con un chasquido. Si no se instala debidamente el paquete de baterías pueden dañarse los componentes internos.

⚠️ ADVERTENCIA: Retire siempre el paquete de baterías de la herramienta antes de instalar las piezas, realizar ajustes, limpiarla o cuando no la utilice. Retirar el paquete de baterías evitará que la unidad se accione accidentalmente y provoque lesiones graves.

PARA EL DESMONTAJE:

- Oprima los pestillos situados en ambos lados del paquete de baterías para soltar éste de la sierra.
- Retire el paquete de baterías de la sierra.

ADVERTENCIA: Las herramientas de baterías siempre están en condiciones de funcionamiento. Por lo tanto, siempre debe estar asegurado el interruptor cuando no esté usándose o el operador lo lleve por un lado.

SELECCIÓN DE LAS HOJAS

Es importante seleccionar una hoja de tipo correcto con el fin de lograr un desempeño óptimo de la sierra. Debe seleccionarse la hoja según el uso y el material deseados. Si se selecciona una hoja adecuada se logra un corte más limpio y rápido, así como una vida de servicio más prolongada de la hoja de corte.

Las hojas con menos dientes, o sea 10 dientes por pulgada (DPP), se usan normalmente para cortar madera, mientras que aquellas con más dientes son mejores para cortar metal o plástico. Para plásticos y metales suaves recomendamos las de 14 DPP, y para metales duros, las de 18 DPP.

FUNCIONAMIENTO

INSTALACIÓN Y DESMONTAJE HOJA

Vea la figura 3, página i.

- Retire el paquete de baterías.
- Levante la palanca de la mordaza, en el costado de la sierra.
- Introduzca la hoja entre la mordaza y la barra de la sierra.

NOTA: La hoja se puede instalar con los dientes hacia arriba o hacia abajo.

- Haga descender la abrazadera de la hoja para bloquearla.
- Vuelva a colocar el paquete de baterías.


CONJUNTO DE LA ZAPATA

Vea la figura 4, página i.

El conjunto de la base de la sierra alternativa pivotea en ambas direcciones, hacia arriba y hacia abajo. Es ajustable, por lo cual permite utilizar los dientes en diferentes posiciones de la hoja.

PARA CAMBIAR LA POSICIÓN DEL CONJUNTO DE LA BASE:

- Retire el paquete de baterías.
- Afloje el tornillo fijador de la estructura del engranaje con la llave hexagonal suministrada con la sierra.
- Acomode el conjunto de la base en la posición deseada.
- Vuelva a apretar firmemente el tornillo fijador. **No** apriete excesivamente el tornillo, ni utilice nada como ayuda al accionar la llave hexagonal.
- Retire la llave hexagonal y guárdela en el portallave.

 **ADVERTENCIA:** Asegúrese de que la hoja no toque la pieza de trabajo hasta que el motor alcance toda su velocidad, ya que de lo contrario puede originarse una pérdida de control y posibles lesiones serias.

APAGADO Y ENCENDIDO DE LA SIERRA

- **Para encender la sierra:** Oprima el botón del seguro de apagado. Oprima el gatillo del interruptor. El botón de seguro de apagado puede oprimirse desde cualquier lado, el izquierdo o el derecho.
- **Para apagar la sierra:** Suelte el gatillo del interruptor.

BOTÓN DEL SEGURO DE APAGADO

La sierra está dotada de un botón de “seguro de apagado”, el cual reduce la posibilidad de un arranque accidental. El botón del seguro de apagado se encuentra en el mango, arriba del gatillo del interruptor. Debe oprimir el botón del seguro de apagado con el fin de poder tirar del gatillo del interruptor. El seguro se autoengancha cada vez que se suelta el gatillo.

NOTA: El botón del seguro de apagado puede oprimirse desde el lado izquierdo o el derecho.

CORTES GENERALES

Vea la figura 5, página ii.

Sostenga firmemente la sierra al frente y bien alejada de usted. Asegúrese de limpiar la hoja de la sierra de toda materia extraña. Asegúrese de que esté firmemente sujeto el material por cortar. Las piezas de trabajo pequeñas deben sujetarse de manera segura en una prensa de banco o con prensas de mano al banco o mesa de trabajo.

- Marque claramente la línea de corte.
- Para iniciar el corte, oprima primero el botón del seguro de apagado y luego el gatillo.
- Coloque el conjunto de la base contra la pieza de trabajo, y después introduzca la hoja en dicha pieza.

No fuerce la herramienta. Aplique sólo la presión suficiente para mantener la sierra cortando. Permita que la hoja y la sierra realicen el trabajo. Una presión excesiva que cause el doblamiento o torcimiento de la hoja puede producir el rompimiento de la misma.

CORTES DE PENETRACIÓN

Vea la figura 6, página ii.

- Marque claramente la línea de corte.
- Escoja un punto inicial conveniente dentro del área por eliminar con el corte y coloque la punta de la hoja encima de ese punto.
- Deje descansar el borde del conjunto de la base (la zapata) sobre la pieza de trabajo y sostenga la herramienta firmemente en su lugar.
- Para iniciar el corte, oprima primero el botón del seguro de apagado y luego el gatillo.
- Teniendo la hoja de la sierra a plena velocidad de corte, lentamente incline la sierra hacia abajo hasta que la punta de la hoja comience a cortar la pieza de trabajo.
- Una vez que la hoja penetre en la pieza de trabajo, incline la sierra hasta que la hoja quede perpendicular a dicha pieza.

FUNCIONAMIENTO

CORTE DE METALES


Vea la figura 7, página ii.


Con la sierra pueden cortarse metales como lámina de acero, tubos, barras de acero, aluminio, bronce y cobre. Tenga cuidado de no torcer o doblar la hoja de la sierra.


No fuerce la herramienta. Le recomendamos lubricante para herramientas de corte al cortar la mayoría de los metales suaves y acero. El lubricante para herramientas de corte mantiene frías las hojas, aumenta la eficacia del corte y prolonga la vida de servicio de las hojas.

Nunca utilice gasolina, ya que el chispeo normal del motor puede inflamar las emanaciones de la misma. Sujete firmemente la pieza de trabajo con prensas y corte cerca del punto de sujeción para eliminar toda vibración posible de la pieza. Al cortar tubo conduit, así como tubo o ángulo de hierro, sujete la pieza de trabajo en una prensa de banco si es posible y corte cerca de la prensa. Para cortar material en forma de lámina delgada, “emparédelo” entre dos paneles de madera prensada o contrachapada y sujete las capas con prensas para eliminar la vibración y el desgarramiento del material.

MANTENIMIENTO


 **ADVERTENCIA:** Al dar servicio a la herramienta, sólo utilice piezas de repuesto Craftsman idénticas. El empleo de piezas diferentes puede presentar un peligro o causar daños al producto.

 **ADVERTENCIA:** Siempre póngase protección ocular con la marca de cumplimiento de la norma ANSI Z87.1. Si no cumple esta advertencia, los objetos que salen despedidos pueden producirle lesiones serias en los ojos.

 **ADVERTENCIA:** Para evitar lesiones corporales serias, siempre retire el paquete de de la herramienta al limpiarla o darle mantenimiento.


MANTENIMIENTO GENERAL

Evite el empleo de solventes al limpiar piezas de plástico. La mayoría de los plásticos son susceptibles a diferentes tipos de solventes comerciales y pueden resultar dañados. Utilice paños limpios para eliminar la suciedad, el polvo, el aceite, la grasa, etc.

 **ADVERTENCIA:** No permita en ningún momento que fluidos para frenos, gasolina, productos a base de petróleo, aceites penetrantes, etc., lleguen a tocar las piezas de plástico. Las sustancias químicas pueden dañar, debilitar o destruir el plástico, lo cual a su vez puede producir lesiones corporales serias.

Solamente las piezas mostradas en la lista de piezas pueden ser reparadas o cambiadas por el consumidor. Todas piezas restantes deben ser reemplazadas en un centro de servicio Sears.

REMOCIÓN Y PREPARACIÓN DEL PAQUETE DE BATERÍAS PARA EL RECICLADO

 **ADVERTENCIA:** Al retirar el paquete de baterías, cubra las terminales del mismo con cinta adhesiva reforzada. No intente destruir o desarmar el paquete de baterías, ni de desmontar ninguno de sus componentes. Las baterías deben reciclarse o desecharse debidamente. Asimismo, nunca toque ambas terminales con objetos metálicos y partes del cuerpo, ya que puede producirse un corto circuito. Manténgase fuera del alcance de los niños. La inobservancia de estas advertencias puede causar incendios y lesiones corporales serias.

ACCESORIOS

Estos accesorios pueden encontrarse en las tiendas Sears:

	LONG. PULG.	DIENTES PULG.
TIPOS DE HOJAS		
Para lograr cortes lisos rápidos en madera, masonite, plástico, tabla de madera compuesta y cortes de penetración. La forma de bocallave de la hoja permite cortar en áreas de difícil acceso.....	6.....	6
Para lograr cortes rápidos, lisos y profundos en piezas gruesas de madera, masonite, plástico, madera compuesta y madera aglomerada.....	12.....	6
Para cortes ásperos en madera.....	12.....	6
Hoja de acero de alta velocidad para cortar metales ferrosos de un espesor inferior a 1/8 pulg. (3,2 mm) y para cortar tubos con pared de 1/8 pulg. de espesor o menos.	4.....	24

⚠ ADVERTENCIA: Arriba se señalan los aditamentos y accesorios disponibles para usarse con esta herramienta. No utilice ningún aditamento o accesorio no recomendado por el fabricante de esta herramienta. El empleo de aditamentos o accesorios no recomendados puede causar lesiones serias.

NOTA: FIGURAS (ILLUSTRACIONES) COMENZANDO EN LA PÁGINA I DESPUÉS DE SECCIONES INGLÉS.

Get it fixed, at your home or ours!

Your Home

For expert troubleshooting and home solutions advice:

manage my home

www.managemyhome.com

For repair – **in your home** – of **all** major brand appliances, lawn and garden equipment, or heating and cooling systems, **no matter who made it, no matter who sold it!**

For the replacement parts, accessories and owner's manuals that you need to do-it-yourself.

For Sears professional installation of home appliances and items like garage door openers and water heaters.

1-800-4-MY-HOME[®] (1-800-469-4663)

Call anytime, day or night (U.S.A. and Canada)

www.sears.com www.sears.ca

Our Home

For repair of carry-in items like vacuums, lawn equipment, and electronics, call anytime for the location of your nearest

Sears Parts & Repair Service Center

1-800-488-1222 (U.S.A.)

www.sears.com

1-800-469-4663 (Canada)

www.sears.ca

To purchase a protection agreement on a product serviced by Sears:

1-800-827-6655 (U.S.A.)

1-800-361-6665 (Canada)

Para pedir servicio de reparación a domicilio, y para ordenar piezas:

1-888-SU-HOGAR[®]

(1-888-784-6427)

Au Canada pour service en français:

1-800-LE-FOYER^{MC}

(1-800-533-6937)

www.sears.ca

Sears

® Registered Trademark / TM Trademark / SM Service Mark of Sears Brands, LLC

® Marca Registrada / TM Marca de Fábrica / SM Marca de Servicio de Sears Brands, LLC

^{MC} Marque de commerce / ^{MD} Marque déposée de Sears Brands, LLC

© Sears Brands, LLC

Free Manuals Download Website

<http://myh66.com>

<http://usermanuals.us>

<http://www.somanuals.com>

<http://www.4manuals.cc>

<http://www.manual-lib.com>

<http://www.404manual.com>

<http://www.luxmanual.com>

<http://aubethermostatmanual.com>

Golf course search by state

<http://golfingnear.com>

Email search by domain

<http://emailbydomain.com>

Auto manuals search

<http://auto.somanuals.com>

TV manuals search

<http://tv.somanuals.com>