

Operator's Manual

CRAFTSMAN®

2-Cycle

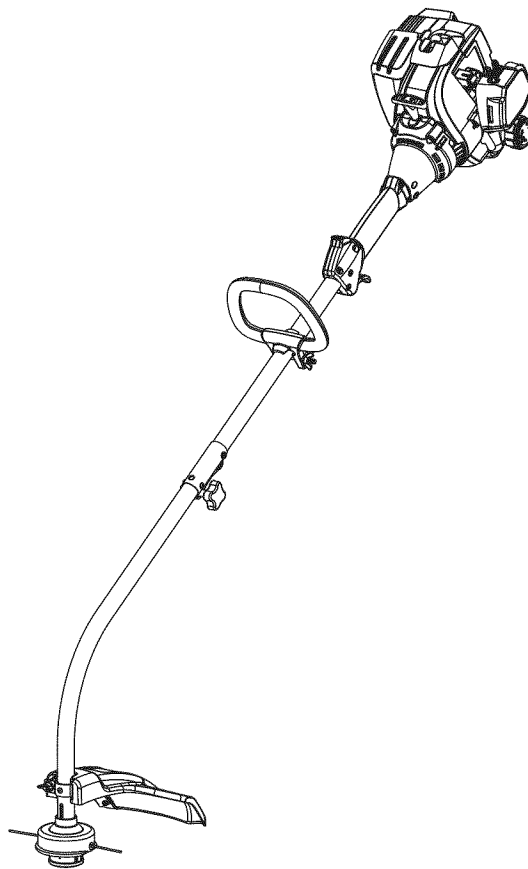
Electric Start Capable

WEEDWACKER® GAS TRIMMER

Model No. 316.711020



INCREDI-PULL™
UNBELIEVABLE STARTING EASE™



CAUTION: Before using this product, read this manual and follow all its Safety Rules and Operating Instructions.

- SAFETY
- ASSEMBLY
- OPERATION
- MAINTENANCE
- PARTS LIST
- ESPAÑOL, P. 19

Sears Brands Management Corporation, Hoffman Estates, IL 60179 U.S.A.

Visit our website: www.craftsman.com

TABLE OF CONTENTS


Safety	2
Warranty	5
Know Your Unit	6
Specifications	6
Assembly	7
Oil and Fuel	9
Starting and Stopping	10
Operation	12
Maintenance	13
Cleaning and Storage	16
Speed Start™ Accessory	16
Troubleshooting	17
Repair Protection Agreements	18
Parts List	38
Service Numbers	Back Cover


All information, illustrations and specifications in this manual are based on the latest product information available at the time of printing. We reserve the right to make changes at any time without notice.


SAFETY

The purpose of safety symbols is to attract your attention to possible dangers. The safety symbols, and their explanations, deserve your careful attention and understanding. The safety warnings do not by themselves eliminate any danger. The instructions or warnings they give are not substitutes for proper accident prevention measures.

SYMBOL	MEANING
--------	---------

	DANGER: Signals an EXTREME hazard. Failure to obey a safety DANGER signal WILL result in serious injury or death to yourself or to others.
--	--

	WARNING: Signals a SERIOUS hazard. Failure to obey a safety WARNING signal CAN result in serious injury to yourself or to others.
--	---

	CAUTION: Signals a MODERATE hazard. Failure to obey a safety CAUTION signal MAY result in property damage or injury to yourself or to others.
--	---

NOTE: Advises you of information or instructions vital to the operation or maintenance of the equipment.

SPARK ARRESTOR NOTE

NOTE: For users on U.S. Forest Land and in the states of California, Maine, Oregon and Washington. All U.S. Forest Land and the state of California (Public Resources Codes 4442 and 4443), Oregon and Washington require, by law that certain internal combustion engines operated on forest brush and/or grass-covered areas be equipped with a spark arrestor, maintained in effective working order, or the engine be constructed, equipped and maintained for the prevention of fire. Check with your state or local authorities for regulations pertaining to these requirements. Failure to follow these requirements could subject you to liability or a fine. **This unit is factory equipped with a spark arrestor.** Replacement requires **Muffler Assembly Part #753-06418**, installed at a Sears Parts & Repair Service Center.



CALIFORNIA PROPOSITION 65

WARNING: Engine exhaust, some of its constituents and certain finished components contain or emit chemicals known to the State of California to cause cancer and birth defects or other reproductive harm. Wash hands after handling.

Read the operator's manual and follow all warnings and safety instructions. Failure to do so can result in serious injury to the operator and/or bystanders.

• IMPORTANT SAFETY INSTRUCTIONS •

READ ALL INSTRUCTIONS BEFORE OPERATING



WARNING: When using the unit, all safety rules must be followed. Please read these instructions before operating the unit in order to ensure the safety of the operator and any bystanders. Please keep these instructions for later use.

- Read the instructions carefully. Be familiar with the controls and proper use of the unit.
- Do not operate this unit when tired, ill or under the influence of alcohol, drugs or medication.
- Children must not operate the unit. Teens must be accompanied and guided by an adult.
- Inspect the unit before use. Replace damaged parts. Check for fuel leaks. Make sure all fasteners are in place and secure. Replace parts that are cracked, chipped, or damaged in any way.
- Only use the trimming line described in the *Specifications* section of this manual. Never use metal-reinforced line, wire, chain or rope. These can break off and become dangerous projectiles.
- Be aware of risk of injury to the head, hands and feet.
- Clear the area to be cut before each use. Remove rocks, broken glass, nails, wire, string and other objects which may be thrown or become entangled in the trimmer attachment. Clear the area of children, bystanders and pets; keep them outside a 50-foot (15 m) radius, at a minimum. Even then, they are still at risk from thrown objects. Encourage bystanders to wear eye protection. If you are approached, stop the unit immediately.
- Squeeze the throttle control and check that it returns automatically to the idle position. Make all adjustments or repairs before using the unit.

SAFETY WARNINGS FOR GAS UNITS



WARNING: Gasoline is highly flammable and its vapors can explode if ignited. Take the following precautions:

- Store fuel only in containers specifically designed and approved for the storage of such materials.
- Always stop the engine and allow it to cool before filling the tank. Never remove the fuel tank cap or add fuel when the engine is hot. Always loosen the fuel tank cap slowly to relieve any pressure in the tank before fueling.
- Always mix and add fuel in a clean, well-ventilated outdoor area where there are no sparks or flames. DO NOT smoke.
- Never operate the unit without the fuel cap securely in place.
- Avoid creating a source of ignition for spilled fuel. Wipe up any spilled fuel from the unit immediately, before starting the unit. Move the unit at least 30 ft. (9.1 m) from the fueling source and site before starting the engine. DO NOT smoke.
- Never start or run the unit inside a closed room or building. Breathing exhaust fumes can kill. Operate this unit only in a well ventilated outdoor area.

WHILE OPERATING

- Wear safety glasses or goggles that meet ANSI Z87.1-1989 standards and are marked as such. Wear ear/hearing protection when operating this unit. Wear a face or dust mask if the operation is dusty.
- Wear heavy long pants, boots, gloves and a long sleeve shirt. Do not wear loose clothing, jewelry, short pants, sandals or go barefoot. Secure hair above shoulder level.

- The trimmer attachment shield must always be in place while operating the unit. Do not operate unit without both trimming lines extended, and the proper line installed. Do not extend the trimming line beyond the length of the shield.
- This unit has a clutch. The cutting head remains stationary when the engine is idling. If it does not, take the unit to a Sears or other qualified service dealer for an adjustment.
- Adjust the handle to provide the best grip.
- Be sure the trimmer attachment is not in contact with anything before starting the unit.
- Use the unit only in daylight or good artificial light.
- Avoid accidental starting. Be in the starting position whenever pulling the starter rope. The operator and unit must be in a stable position while starting. Refer to *Starting and Stopping*.
- Use the right tool. Only use this tool for its intended purpose.
- Always hold the unit with both hands when operating. Keep a firm grip on both handles or grips.
- Keep hands, face, and feet away from all moving parts. Do not touch or try to stop the trimmer attachment when it rotates.
- Do not touch the engine, gear housing or muffler. These parts get extremely hot from operation, even after the unit is turned off.
- Do not operate the engine faster than the speed needed to cut, trim or edge. Do not run the engine at high speed when not cutting.
- Always stop the engine when cutting is delayed or when walking from one cutting location to another.
- If you strike or become entangled with a foreign object, stop the engine immediately and check for damage. Do not operate before repairing damage. Do not operate the unit with loose or damaged parts.
- Turn the engine to off and disconnect the spark plug for maintenance or repair.
- Use only original equipment manufacturer (OEM) replacement parts and accessories for this unit, as listed in the *Parts List* section of this manual. Use of any other parts or accessories could lead to serious injury to the user, or damage to the unit, and void the warranty.
- Keep the unit clean of vegetation and other materials that may become lodged between the cutting head and shield.
- To reduce fire hazard, replace a faulty muffler and spark arrestor. Keep the engine and muffler free from grass, leaves, excessive grease or carbon build up.







OTHER SAFETY WARNINGS





- Never store the unit with fuel in the tank, inside a building where fumes may reach an open flame (pilot lights, etc.) or sparks (switches, electrical motors, etc.).
- Allow the engine to cool before storing or transporting. Be sure to secure the unit while transporting.
- Store the unit in a dry place, secured or at a height to prevent unauthorized use or damage. Keep out of the reach of children.
- Never douse or squirt the unit with water or any other liquid. Keep handles dry, clean and free from debris. Clean after each use, see *Cleaning and Storage* instructions.
- Keep these instructions. Refer to them often and use them to instruct other users. If you loan this unit to others, also loan them these instructions.

SAVE THESE INSTRUCTIONS

• SAFETY & INTERNATIONAL SYMBOLS •

This operator's manual describes safety and international symbols and pictographs that may appear on this product. Read the operator's manual for complete safety, assembly, operating and maintenance and repair information.

SYMBOL	MEANING
	<ul style="list-style-type: none"> • SAFETY ALERT SYMBOL Indicates danger, warning or caution. May be used in conjunction with other symbols or pictographs.
	<ul style="list-style-type: none"> • READ OPERATOR'S MANUAL WARNING: Read the operator's manual(s) and follow all warnings and safety instructions. Failure to do so can result in serious injury to the operator and/or bystanders.
	<ul style="list-style-type: none"> • WEAR EYE AND HEARING PROTECTION WARNING: Thrown objects and loud noise can cause severe eye injury and hearing loss. Wear eye protection meeting ANSI Z87.1-1989 standards and ear protection when operating this unit. Use a full face shield when needed.
	<ul style="list-style-type: none"> • UNLEADED FUEL Always use clean, fresh unleaded fuel.
	<ul style="list-style-type: none"> • OIL Refer to operator's manual for the proper type of oil.
	<ul style="list-style-type: none"> • DO NOT USE E85 FUEL IN THIS UNIT WARNING: It has been proven that fuel containing greater than 10% ethanol will likely damage this engine and void the warranty.

SYMBOL	MEANING
	<ul style="list-style-type: none"> • ON/OFF STOP CONTROL ON / START / RUN
	<ul style="list-style-type: none"> • ON/OFF STOP CONTROL OFF or STOP
	<ul style="list-style-type: none"> • PRIMER BULB Push primer bulb, fully and slowly, 10 times.
	<ul style="list-style-type: none"> • CHOKE CONTROL <ol style="list-style-type: none"> 1. • FULL choke position 2. • PARTIAL choke position 3. • RUN choke position
	<ul style="list-style-type: none"> • THROWN OBJECTS AND ROTATING CUTTER CAN CAUSE SEVERE INJURY WARNING: Small objects can be propelled at high speed, causing injury. Keep away from the rotating rotor.
	<ul style="list-style-type: none"> • KEEP BYSTANDERS AWAY WARNING: Keep all bystanders, especially children and pets, at least 50 feet (15 m) from the operating area.
	<ul style="list-style-type: none"> • HOT SURFACE WARNING: Do not touch a hot muffler or cylinder. You may get burned. These parts get extremely hot from operation. When turned off they remain hot for a short time.
	<ul style="list-style-type: none"> • SHARP BLADE WARNING: Sharp blade on trimmer attachment shield. To prevent serious injury, do not touch the line cutting blade.

WARRANTY

CRAFTSMAN TWO YEAR FULL WARRANTY

FOR TWO YEARS from the date of purchase, this product is warranted against any defects in material or workmanship. A defective product will receive free repair or replacement if repair is unavailable.

ADDITIONAL LIMITED WARRANTY on TRIMMER SHAFTS

FOR THE THIRD THROUGH TENTH YEAR from the date of purchase, the outer metal housing of the upper and lower trimmer shafts is warranted against any defects in material or workmanship. With proof of purchase, a new housing will be supplied free of charge. You are responsible for the labor cost of installation. This additional coverage does not apply to inner trimmer shaft components.

For warranty coverage details to obtain free repair or replacement, visit the web site: www.craftsman.com

This warranty covers ONLY defects in material and workmanship. Warranty coverage does NOT include:

- Expendable items that can wear out from normal use within the warranty period, such as cutting line, spark plugs, or filters.
- Product damage resulting from user attempts at product modification or repair or caused by product accessories.
- Repairs necessary because of accident or failure to operate or maintain the product according to all supplied instructions.
- Preventive maintenance, or repairs necessary due to improper fuel mixture, contaminated or stale fuel.

This warranty is void if this product is ever used while providing commercial services or if rented to another person.

This warranty gives you specific legal rights, and you may also have other rights which vary from state to state.

Sears Brands Management Corporation, Hoffman Estates, IL 60179

FOR IN-WARRANTY SAFETY, OPERATION OR MAINTENANCE QUESTIONS, OR TO ORDER PARTS AND SCHEDULE SERVICE, CALL 1-800-4-MY-HOME®.

KNOW YOUR UNIT

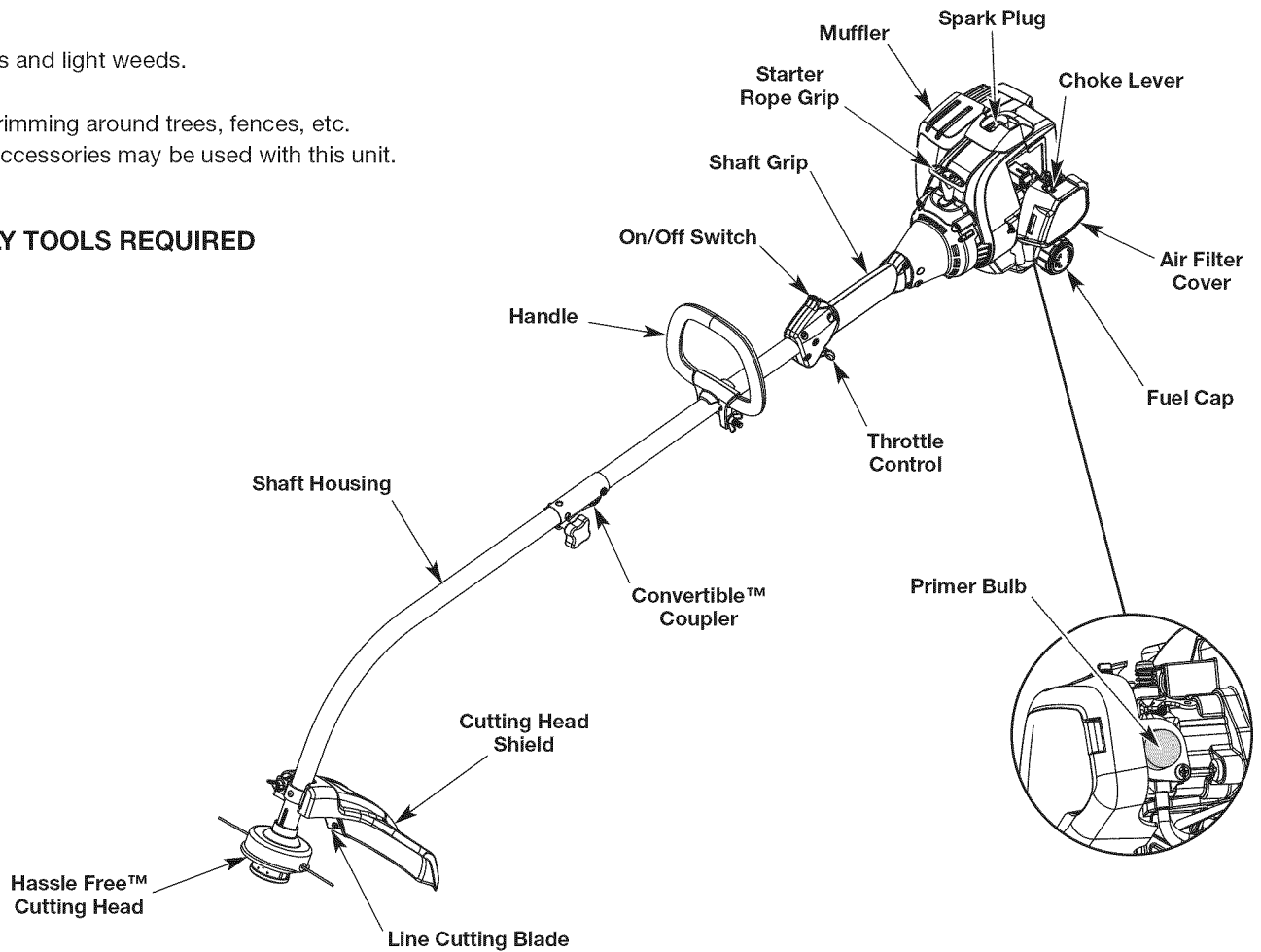
APPLICATIONS

As a trimmer:

- Cutting grass and light weeds.
- Edging
- Decorative trimming around trees, fences, etc.

Other optional accessories may be used with this unit.

NO ASSEMBLY TOOLS REQUIRED



SPECIFICATIONS*

Engine Type	Air-Cooled, 2-Cycle
Displacement	25 cc (1.52 cu. in.)
Idle Speed RPM	2,800 - 3,400 rpm
Operating RPM	6,300+ rpm
Spark Plug Gap	0.025 in. (0.635 mm)
Spark Plug	Champion® RDJ7J or equivalent plug
Lubrication	Fuel/Oil Mixture
Fuel/Oil Ratio	40:1
Fuel Tank Capacity	10 oz. (296 ml)
Approximate Unit Weight (No fuel, with cutting head, cutting head shield and handle)	10 - 11 lbs. (4.5 - 5 kg)
Trimmer Mechanism	Hassle Free™ Head
Trimming Line	0.110 in. (2.79 mm) Medium Hassle Free™ XTRA QUIET Spiral Line
Cutting Path Diameter	14 in. (35.56 cm)

* All specifications are based on the latest product information available at the time of printing. We reserve the right to make changes at any time without notice.

ASSEMBLY

INSTALLING THE CUTTING HEAD SHIELD



WARNING: To prevent serious personal injury, never operate the unit without the cutting head shield in place.

Use the following instructions if the cutting head shield is not installed. Use only the instructions that apply to the type of shaft and shield equipped with this unit.

1. Remove the wing nut and washer from the cutting head shield.
2. Insert the short tab (the one without a hole) on the mount bracket into the slot on the cutting head shield (Fig. 1).
3. Rotate the cutting head shield counterclockwise to align the hole on the cutting head shield with the hole on the mount bracket (Fig. 1).
4. Insert the square bolt into the hole underneath the cutting head shield (Fig. 2). Push the square bolt through the cutting head shield and mount bracket.
5. Put the washer onto the square bolt (Fig. 2).
6. Screw the wing nut onto the square bolt until the cutting head shield is firmly in place (Fig. 2).

ADJUSTING THE HANDLE

If the handle requires adjustment:

1. Loosen the wing nut (Fig. 3).
2. While holding the unit in the operating position (Fig. 10), move the handle to the location that provides the best grip. Place it a minimum of 6 inches (15.24 cm) from the end of the shaft grip (Fig. 3).
3. Tighten the wing nut until the handle is secure.

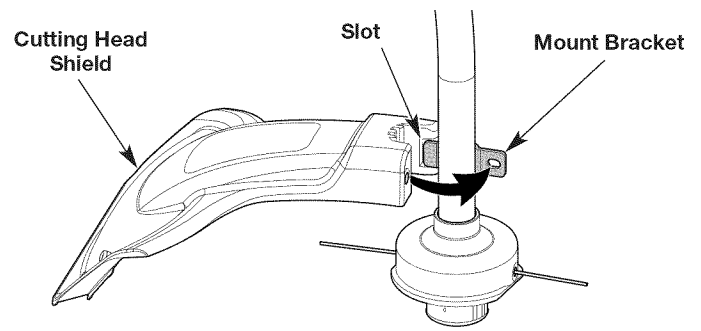


Fig. 1

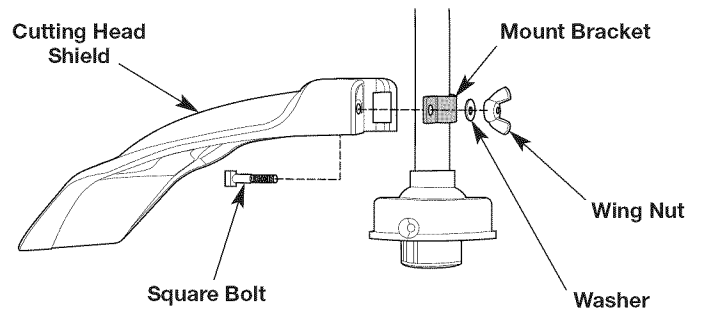


Fig. 2

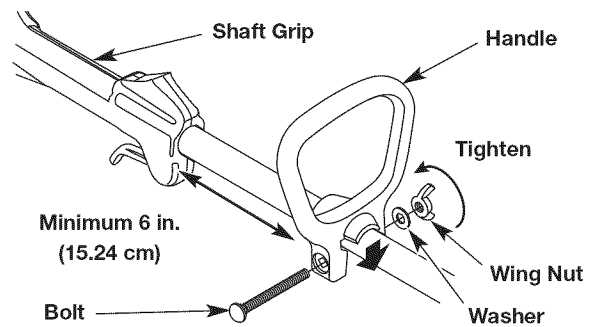
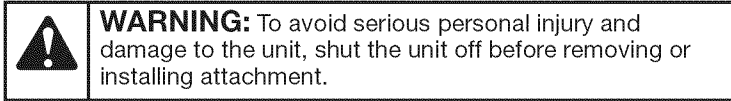


Fig. 3

OPERATING THE CONVERTIBLE™ COUPLER SYSTEM



NOTE: To make installing or removing the attachment easier, place the unit on the ground or on a work bench.

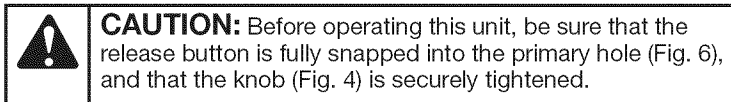
Installing the Trimmer Attachment or Other Attachment

NOTE: Remove the protective cap and gray spacer from the upper and lower shafts prior to assembling the attachment.

1. Turn the knob counterclockwise to loosen (Fig. 4).
2. While firmly holding the trimmer attachment or other attachment, push it straight into the Convertible™ coupler until the release button snaps firmly into the primary hole (Fig. 6).

NOTE: Aligning the release button with the guide recess will help installation (Fig. 5).

3. Turn the knob clockwise to tighten (Fig. 4).



For decorative edging with the line head trimmer attachment, lock the release button of the attachment into the 90° hole (Fig. 4).

Removing the Trimmer Attachment or Other Attachment

1. Turn the knob counterclockwise to loosen (Fig. 4).
2. Press and hold the release button (Fig. 5).
3. While firmly holding the upper shaft housing, pull the trimmer attachment or other attachment straight out of the Convertible™ coupler (Fig. 6).

The Convertible™ Coupler System

The Convertible™ coupler system enables the use of these optional attachments.

- Edger
- Cultivator
- Turbo Blower
- Brushcutter
- Pole Saw
- Hedge Trimmer
- Straight-shaft trimmer
- Curved-shaft trimmer

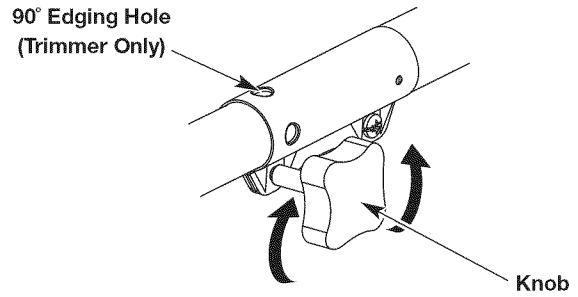
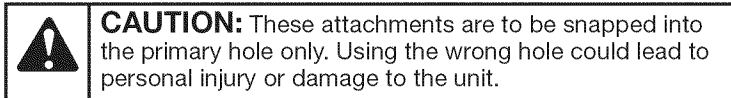
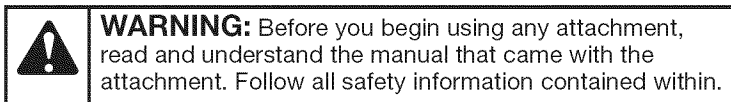


Fig. 4

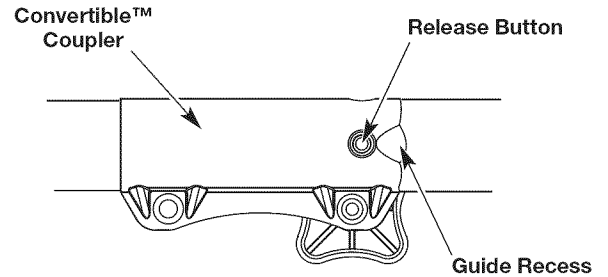


Fig. 5

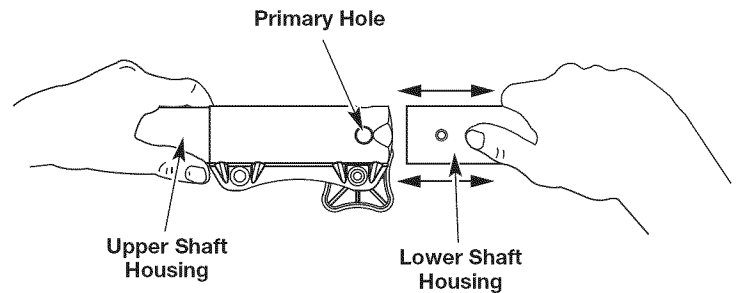


Fig. 6

OIL AND FUEL

OIL AND FUEL MIXING INSTRUCTIONS

The use of old and/or improperly mixed fuel is the most common cause of performance problems. Use only fresh, clean unleaded gasoline. Follow the instructions carefully for the proper gasoline/oil mixture.

Definition of Blended Fuels

Today's fuels are often a blend of gasoline and oxygenates such as ethanol, methanol or MTBE (ether). Alcohol-blended fuel absorbs water. As little as 1% water in the fuel can make fuel and oil separate, forming acids when stored. ALWAYS use fresh fuel (less than 30 days old).

NOTE: Dispose of old fuel according to federal, state and local regulations.

Using Blended Fuels

If using a blended fuel:

- Always use the fresh fuel mix explained in your operator's manual
- Use the fuel additive STA-BIL® or an equivalent
- Always agitate the fuel mix before fueling the unit
- Drain the tank and run the engine dry before storing the unit



WARNING: DO NOT USE E85 FUEL IN THIS UNIT. It has been proven that fuel containing greater than 10% ethanol will likely damage this engine and void the warranty.

Using Fuel Additives

The bottle of 2-cycle oil provided with this unit contains a fuel additive to help inhibit corrosion and minimize gum deposits. Always use the brand of 2-cycle oil that came with this unit. If this is unavailable, use a 2-cycle oil designed for air-cooled engines and mix it with a fuel additive, such as STA-BIL Fuel Stabilizer or an equivalent. Add 0.8 oz. (23 ml) of fuel additive per gallon of fuel, according to the instructions on the container. NEVER add fuel additives directly to the unit's fuel tank.



Mixing the Fuel

NOTE: This unit comes with a 3.2 oz. bottle of 2-cycle oil. To obtain the correct fuel mixture described below, pour the entire bottle into one gallon of unleaded gasoline.



CAUTION: For proper engine operation and maximum reliability, pay strict attention to the gasoline and oil mixing instructions on the 2-cycle oil bottle. Using improperly mixed fuel can severely damage the engine.

Thoroughly mix the proper ratio of unleaded gasoline with 2-cycle engine oil. Do not mix them directly in the unit's fuel tank. Use a separate fuel can. Use a 40:1 gasoline/oil ratio. See the table below for specific gasoline and oil mixing ratios.

	
Unleaded gasoline	2-cycle oil
1 gallon U.S. (3.8 liters)	3.2 fl. oz. (95 ml)
1 liter	25 ml

MIXING RATIO - 40:1

FUELING THE UNIT



WARNING: Gasoline is extremely flammable. Ignited vapors may explode. Always stop the engine and allow it to cool before filling the fuel tank. Do not smoke while filling the tank. Keep sparks and open flames at a distance from the area.



WARNING: Remove the fuel cap slowly to avoid injury from fuel spray. Never operate the unit without the fuel cap securely in place.



WARNING: Add fuel in a clean, well ventilated outdoor area. Wipe up any spilled fuel immediately. Avoid creating a source of ignition for spilled fuel. Do not start the engine until fuel vapors dissipate.

1. Position the unit with the fuel cap facing up.
2. Remove the fuel cap.
3. Place the fuel container spout into the fill hole on the fuel tank and fill the tank.

NOTE: Do not overfill the tank.

4. Wipe up any fuel that may have spilled.
5. Reinstall the fuel cap.
6. Move the unit at least 30 ft. (9.1 m) from the fuel container and the fueling site before starting the engine.

STARTING AND STOPPING



WARNING: Operate this unit only in a well-ventilated outdoor area. Carbon monoxide exhaust fumes can be lethal in a confined area.



WARNING: Avoid accidentally starting the unit. To avoid serious injury, the operator and the unit must be in a stable position when pulling the starter rope (Fig. 9).

STARTING INSTRUCTIONS

1. Mix gasoline with oil. Refer to *Oil and Fuel Mixing Instructions*.
2. Fill the fuel tank. Refer to *Fueling the Unit*.

NOTE: There is no need to turn the unit on. The On/Off switch is in the ON (1) position at all times (Fig. 7).

3. Slowly press and release the primer bulb **10 times** (Fig. 8). If fuel cannot be seen in the primer bulb, press and release the primer bulb until fuel is visible.
4. Move the choke lever to **Position 1** (Fig. 8).
5. Crouch in the starting position (Fig. 9).
6. Squeeze the throttle control (Fig. 7) and pull the starter rope with a controlled and steady motion **5 times** (Fig. 9).

NOTE: SQUEEZE and HOLD the throttle control for **ALL** further steps.

NOTE: This unit uses the **INCREDI-PULL™** starting system, which significantly reduces the effort required to start the engine.

7. Continue to squeeze the throttle control. Move the choke lever to **Position 2** (Fig. 8).
8. Continue to squeeze the throttle control. Pull the starter rope with a controlled and steady motion **3 to 5 times** to start the engine.
9. Continue to squeeze the throttle control. Allow the engine to warm up for 30 to 60 seconds.
10. Continue to squeeze the throttle control. Move the choke lever to **Position 3** (Fig. 8) and continue warming the engine for an additional 60 seconds. The unit may be used during this time.

NOTE: The engine is properly warmed up when it accelerates without hesitation.

IF... the engine hesitates, return the choke lever to **Position 2** (Fig. 8) and continue the warm-up.

IF... the engine does not start, go back to step 3.

IF... the engine fails to start after a few attempts, move the choke lever to **Position 3** and squeeze the throttle control. Pull the starter rope with a controlled and steady motion **3 to 8 times**. The engine should start. If it does not, repeat this instruction.

IF... the engine is already warm, go back to step 7.

STOPPING INSTRUCTIONS

1. Release the throttle control and allow the engine to idle.
2. Press and hold the On/Off switch in the OFF (O) position until the engine comes to a complete stop (Fig. 7).

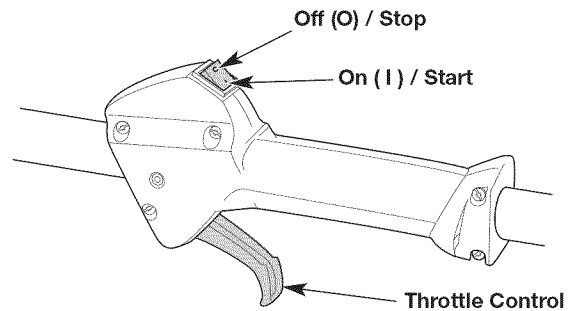


Fig. 7

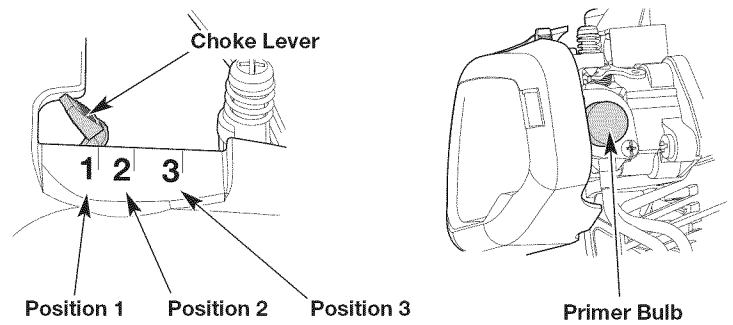


Fig. 8

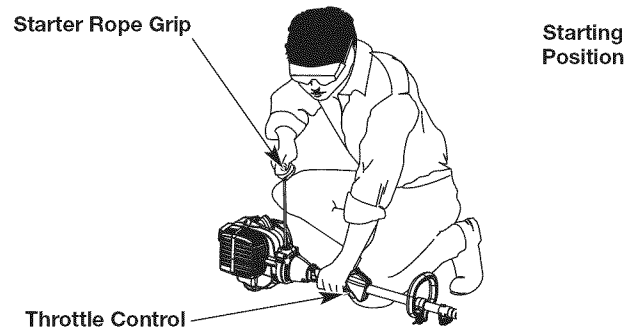


Fig. 9

NOTE: This unit can use a Speed Start™ Accessory!

Please refer to the Speed Start™ accessory operator's manual for the proper use of this feature. (Items Sold Separately! Refer to the *Speed Start™ Accessory* section of this manual for more information about these Speed Start™ accessories.)

STARTING INSTRUCTIONS

1. Mix gasoline with oil. Refer to *Oil and Fuel Mixing Instructions*.
2. Fill the fuel tank. Refer to *Fueling the Unit*.

NOTE: There is no need to turn the unit on. The On/Off switch is in the ON (I) position at all times (Fig. 7).

3. Slowly press and release the primer bulb **10 times** (Fig. 8). If fuel cannot be seen in the primer bulb, press and release the primer bulb until fuel is visible.
4. Move the choke lever to **Position 1** (Fig. 8).
5. Crouch in the starting position (Fig. 9).
6. Insert the Speed Start™ accessory into the Speed Start™ port (Fig. 19). Refer to the *Operation* section of the Speed Start™ accessory operator's manual.
7. Squeeze and hold the throttle control (Fig. 7). Run the Speed Start™ accessory for 2 seconds.

NOTE: SQUEEZE and HOLD the throttle control for **ALL** further steps.

8. Continue to squeeze the throttle control. Move the choke lever to **Position 2** (Fig. 8).
9. Continue to squeeze the throttle control. Run the Speed Start™ accessory in intervals no longer than 2 seconds each until the unit starts.
10. Remove the Speed Start™ accessory from the unit.
11. Continue to squeeze the throttle control. Allow the engine to warm up for 30 to 60 seconds.
12. Continue to squeeze the throttle control. Move the choke lever to **Position 3** (Fig. 8) and continue warming the engine for an additional 60 seconds. The unit may be used during this time.

NOTE: The engine is properly warmed up when it accelerates without hesitation.

IF... the engine hesitates, return the choke lever to **Position 2** (Fig. 8) and continue the warm-up.

IF... the engine does not start, go back to step 3.

IF... the engine fails to start after a few attempts, move the choke lever to **Position 3** and squeeze the throttle control. Run the Speed Start™ accessory in intervals no longer than 2 seconds each until the unit starts. The engine should start. If it does not, repeat this instruction.

IF... the engine is already warm, go back to step 8.

STOPPING INSTRUCTIONS

1. Release the throttle control and allow the engine to idle.
2. Press and hold the On/Off switch in the OFF (O) position until the engine comes to a complete stop (Fig. 7).

OPERATION

HOLDING THE TRIMMER



WARNING: Always wear eye, hearing, hand, foot and body protection to reduce the risk of injury when operating this unit.

- Stand in the operating position (Fig. 10).
- Hold the shaft grip with the right hand. Keep the right arm slightly bent.
- Hold the handle with the left hand. Keep the left arm straight.
- Hold the unit at waist level.
- Keep the cutting head parallel to the ground so that it easily contacts the grass without the need for bending over.



Fig. 10

TIPS FOR BEST TRIMMING RESULTS

- Keep the cutting head parallel to the ground.
- Cut from left to right whenever possible. This improves the unit's cutting efficiency and throws clippings away from the operator.
- Do not trim wet grass or weeds.

NOTE: Some line breakage will occur from:

- Entanglement with foreign matter
- Normal line fatigue
- Attempting to cut thick vegetation
- Forcing the line into objects such as walls or fence posts

DECORATIVE TRIMMING

When trimming around trees, posts, fences, etc., rotate the whole unit so that the cutting head is at a 30° angle to the ground (Fig. 11).

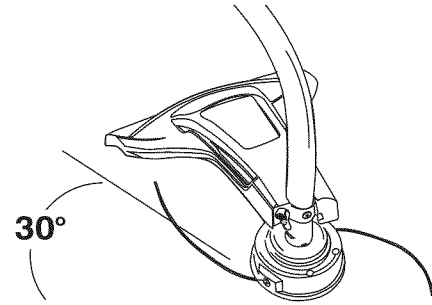


Fig. 11

MAINTENANCE



WARNING: To prevent serious injury, never perform maintenance or repairs while the unit is running. Always allow the unit to cool before servicing or repairing the unit. Disconnect the spark plug wire to prevent the unit from starting accidentally.

MAINTENANCE SCHEDULE

Perform these required maintenance procedures at the frequency stated in the table. These procedures should also be a part of any seasonal tune-up.

NOTE: Some maintenance procedures may require special tools or skills. If unsure about these procedures, take the unit to a Sears or other qualified service dealer. Call **1-800-4-MY-HOME** for more information.

NOTE: Maintenance, replacement, or repair of the emission control devices and system may be performed by a Sears or other qualified service dealer. Call **1-800-4-MY-HOME** for more information.

NOTE: Please read the California/EPA statement that came with the unit for a complete listing of terms and coverage for the emissions control devices, such as the spark arrestor, muffler, carburetor, etc.

FREQUENCY	MAINTENANCE REQUIRED
Every 10 hours	Clean and re-oil the air filter. Refer to <i>Maintaining the Air Filter</i> .
Every 25 hours	Check the spark plug condition and gap. Refer to <i>Maintaining the Spark Plug</i> .

REPLACING THE TRIMMING LINE

Only use the trimming line described in the *Specifications* section. Other types of trimming line may cause the engine to overheat or fail.



WARNING: Never use metal-reinforced line, wire, chain or rope. These can break off and become dangerous projectiles.

Installing New Trimming Line

1. Remove the old line from the cutting head.
2. Use a clean cloth to clean the surface of the cutting head. If the cutting head is too dirty to accept new line, refer to *Cleaning the Cutting Head*.
3. Insert the ends of the line through the large circular holes in the side of the cutting head (Fig. 12). Push the line through the holes until both ends protrude from the positioning tunnels (Fig. 13).
4. Pull the ends of the line until the line is tight against the cutting head. Make sure the ends of the line are of equal length (Fig. 14).

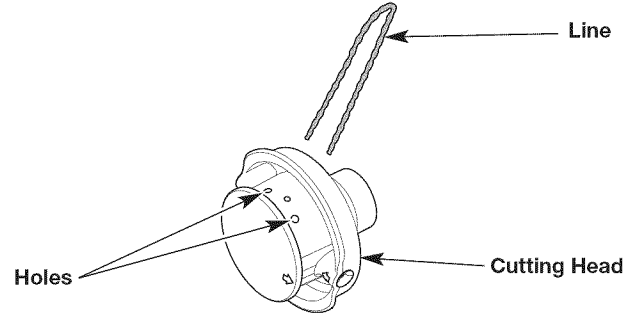


Fig. 12

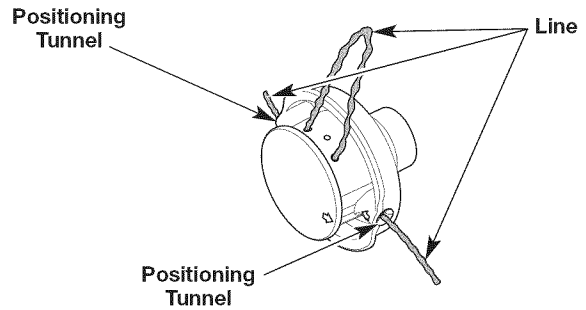


Fig. 13

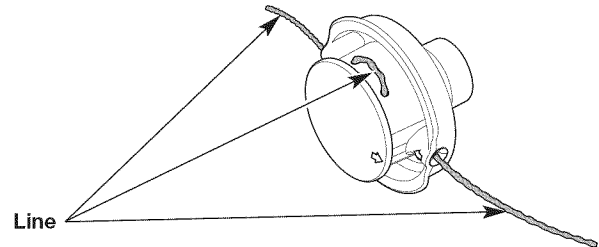


Fig. 14

Cleaning the Cutting Head

NOTE: The cutting head will remain attached to the unit.

1. Remove the old line from the cutting head. The line glide plate cannot be removed if there is still line in the cutting head.
2. Insert a small Phillips screwdriver into the locking tab hole and push the locking tab inward (Fig. 15). At the same time, pull the line glide plate out of the cutting head.
3. Use a clean cloth to clean the insides of the cutting head and line glide plate.
4. Align the arrow on the line glide plate with the arrow on the cutting head (Fig. 15).
5. Push the line glide plate into the cutting head until the locking tab snaps into place.

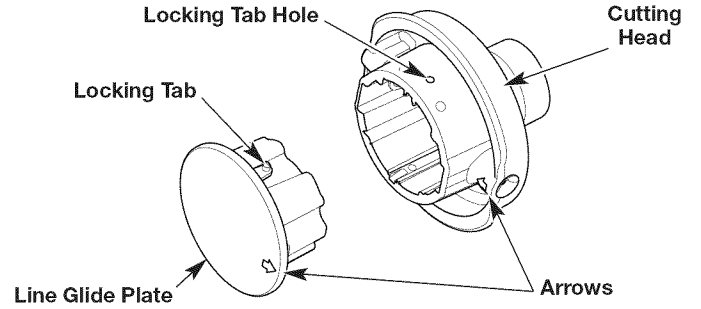
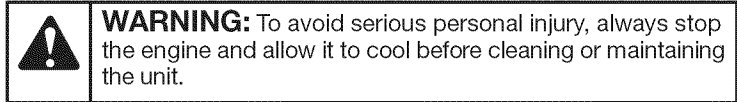


Fig. 15

MAINTAINING THE AIR FILTER



Failure to maintain the air filter can result in poor performance or can cause permanent damage to the engine. Engine failure due to improper air filter maintenance is not covered by the product warranty.

Cleaning the Air Filter

1. Open the air filter cover: press in the lock tab and swing the air filter cover to the right (Fig. 16).
2. Remove the air filter from inside the air filter cover (Fig. 16).
3. Wash the air filter in detergent and water. Rinse the air filter thoroughly and allow it to dry.
4. Lightly coat the air filter with clean SAE 30 oil.
5. Squeeze the air filter to spread and remove excess oil.
6. Reinstall the air filter inside the air filter cover (Fig. 16).

NOTE: Operating the unit without the air filter and air filter cover will VOID the warranty.

7. Close the air filter cover: swing the air filter cover to the left and press it closed until the lock tab snaps into place (Fig. 16).

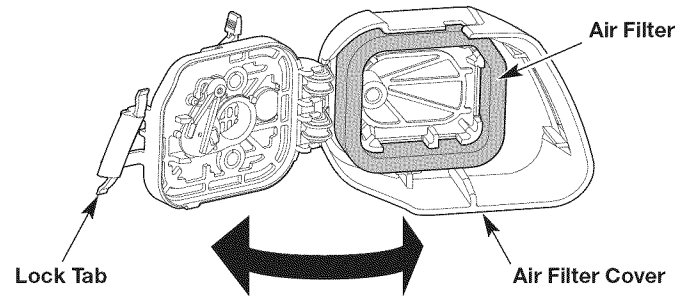


Fig. 16

ADJUSTING THE IDLE SPEED



WARNING: The cutting head may spin during idle speed adjustments. Wear protective clothing and observe all safety instructions to prevent serious personal injury.

NOTE: Careless adjustments can seriously damage the unit. A Sears or other qualified service dealer should make carburetor adjustments.

If, after checking the fuel and cleaning the air filter, the engine still will not idle, adjust the idle speed screw as follows:

1. Start the engine. Refer to *Starting and Stopping*.
2. Release the throttle control and let the engine idle. If the engine stops, use a small Phillips screwdriver to turn the idle speed screw clockwise, 1/8 of a turn at a time (as needed) until the engine idles smoothly (Fig. 17).
3. If the engine is idling too quickly, turn the idle speed screw counterclockwise, 1/8 of a turn at a time (as needed) to reduce the idle speed (Fig. 17).

Checking the fuel, cleaning the air filter, and adjusting the idle speed should solve most engine problems. If not, and any of the following conditions are true, take the unit to a Sears or other qualified service dealer:

- the engine will not idle
- the engine hesitates or stalls on acceleration
- there is a loss of engine power

MAINTAINING THE SPARK PLUG

1. Stop the engine and allow it to cool. Grasp the spark plug boot firmly and pull it from the spark plug.
2. Clean around the spark plug. Remove the spark plug from the cylinder head with a 5/8-inch socket, turning counterclockwise.



WARNING: Do not sand blast, scrape or clean spark plug electrodes. Grit in the engine could damage the cylinder.

3. Inspect the spark plug. If the spark plug is cracked, fouled or dirty, replace it with a replacement part #753-06193, a **Champion RDJ7J** or an equivalent spark plug.
4. Use a feeler gauge to set the air gap at **0.025 in. (0.635 mm)** (Fig. 18).
5. Install the spark plug in the cylinder head. Tighten the spark plug with a 5/8-inch socket, turning it clockwise until snug.

NOTE: If using a torque wrench, torque to:

110-120 in.·lb. (12.3-13.5 N·m). Do not over tighten.

6. Reattach the spark plug boot.

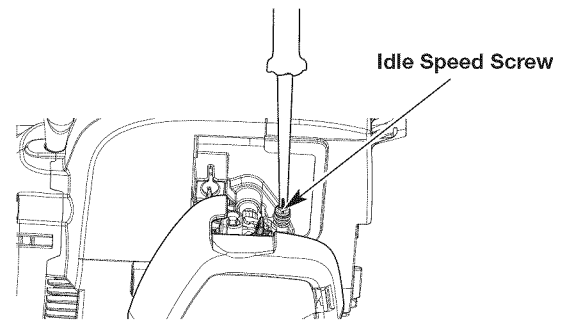


Fig. 17

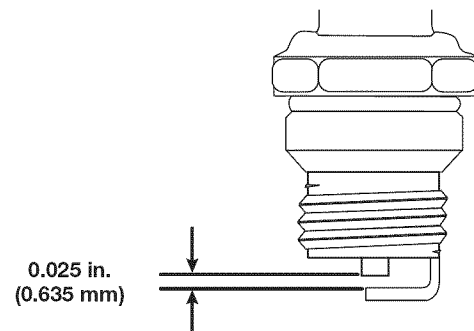


Fig. 18

CLEANING AND STORAGE

CLEANING



WARNING: To avoid serious personal injury, always stop the engine and allow it to cool before cleaning or maintaining the unit.

Use a small brush to clean the outside of the unit. Do not use strong detergents. Household cleaners that contain aromatic oils such as pine and lemon, and solvents such as kerosene, can damage plastic. Wipe off any moisture with a soft cloth.

STORAGE

- Never store a fueled unit where fumes may reach an open flame or spark.
- Allow the engine to cool before storing.
- Lock up the unit to prevent unauthorized use or damage.
- Store the unit in a dry, well-ventilated area.
- Store the unit out of the reach of children.

Short-term Storage (1-2 weeks)

1. Store the unit in a horizontal position. If this is not possible, store the unit vertically with the engine at the top.

Long-term Storage

1. Remove the fuel cap, tip the unit and drain the fuel into an approved container.
2. Start the engine and allow it to run until it stalls. This ensures that all fuel has been drained from the carburetor.
3. Allow the engine to cool. Remove the spark plug and put 5 drops of any high quality motor oil or 2-cycle oil into the cylinder. Pull the starter rope slowly to distribute the oil. Reinstall the spark plug.
4. Thoroughly clean the unit and inspect it for any loose or damaged parts. Repair or replace damaged parts and tighten loose screws, nuts or bolts.

Preparing the Unit for Use after Long-term Storage

1. Remove the spark plug and drain all of the oil from the cylinder.

NOTE: Do not use fuel that has been stored for more than 30 days. Dispose of old fuel according to federal, state and local regulations.

SPEED START™ ACCESSORY

This unit can be started with an optional Speed Start™ accessory (items sold separately). Please contact your local Craftsman retailer, call **1-800-4-MY-HOME®** or visit **www.craftsman.com** for more information.

Item No.	Description
316.85951 Plug-In Power Start
316.85952 Power Bit Start
316.85953 Cordless Power Start

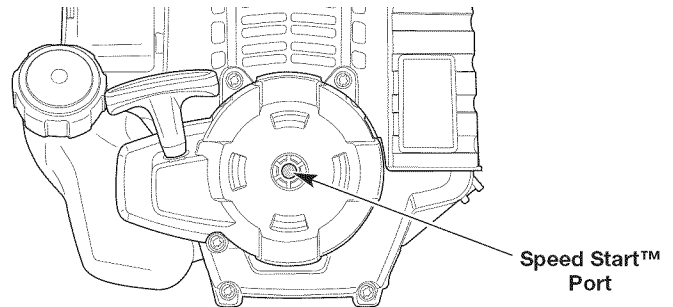


Fig. 19

TROUBLESHOOTING

PROBLEM	SOLUTION
THE ENGINE WILL NOT START	
The fuel tank is empty	Fill the fuel tank with properly mixed fuel
The primer bulb was not pressed enough	Press the primer bulb 10 times or until fuel is visible
The engine is flooded	Move the choke lever to Position 3, squeeze the throttle control and pull the starter rope
The fuel is old (over 30 days) and/or improperly mixed	Drain the fuel tank and add fresh, properly mixed fuel
The spark plug is fouled	Replace the spark plug
THE ENGINE WILL NOT IDLE	
The air filter is dirty	Clean or replace the air filter
The fuel is old (over 30 days) and/or improperly mixed	Drain the fuel tank and add fresh, properly mixed fuel
The idle speed is incorrect	Adjust the idle speed
THE ENGINE WILL NOT ACCELERATE	
The fuel is old (over 30 days) and/or improperly mixed	Drain the fuel tank and add fresh, properly mixed fuel
The cutting head is bound with grass	Stop the engine and clean the cutting head
The air filter is dirty	Clean or replace the air filter
THE ENGINE LACKS POWER OR STALLS WHEN CUTTING	
The fuel is old (over 30 days) and/or improperly mixed	Drain the fuel tank and add fresh, properly mixed fuel
The air filter is dirty	Clean or replace the air filter
The spark plug is fouled	Replace the spark plug

NEED MORE HELP?

You'll find the answer and more on managemylife.com – for free!

- Find this and all your other product manuals online.
- Get answers from our team of home experts.
- Get a personalized maintenance plan for your home.
- Find information and tools to help with home projects.



brought to you by Sears

REPAIR PROTECTION AGREEMENTS

Congratulations on making a smart purchase. Your new Craftsman® product is designed and manufactured for years of dependable operation. But like all products, it may require repair from time to time. That's when having a Repair Protection Agreement can save you money and aggravation.

Here's what the Repair Protection Agreement* includes:

- Expert service** by our 10,000 professional repair specialists
- Unlimited service and no charge** for parts and labor on all covered repairs
- Product replacement** up to \$1500 if your covered product can't be fixed
- Discount of 25%** from regular price of service and related installed parts not covered by the agreement; also, 25% off regular price of preventive maintenance check
- Fast help by phone** – we call it Rapid Resolution - phone support from a Sears representative. Think of us as a “talking owner's manual.”

Once you purchase the Repair Protection Agreement, a simple phone call is all that it takes for you to schedule service. You can call anytime day or night, or schedule a service appointment online.

The Repair Protection Agreement is a risk-free purchase. If you cancel for any reason during the product warranty period, we will provide a full refund. Or, a prorated refund anytime after the product warranty period expires. Purchase your Repair Protection Agreement today!

Some limitations and exclusions apply. For prices and additional information in the U.S.A. call 1-800-827-6655.

***Coverage in Canada varies on some items. For full details call Sears Canada at 1-800-361-6665.**

Sears Installation Service

For Sears professional installation of home appliances, garage door openers, water heaters, and other major home items, in the U.S.A. or Canada call **1-800-4-MY-HOME**.

Manual del Operador

CRAFTSMAN®

Motor de 2 tiempos

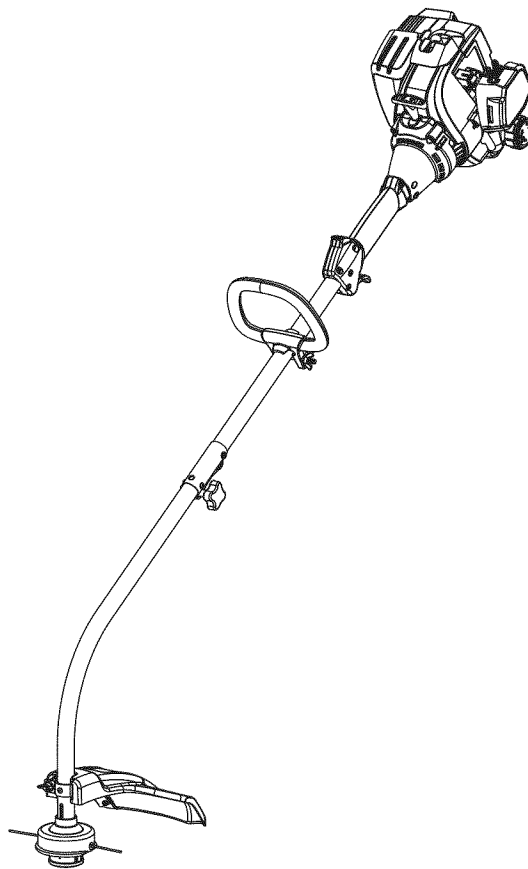
Con Posibilidad de Arranque Eléctrico

RECORTADOR WEEDWACKER® A GASOLINA

Modelo No. 316.711020



INCREDI-PULL™
UNBELIEVABLE STARTING EASE™



PRECAUCIÓN: Antes de utilizar, este producto lea este manual y siga todas las reglas de seguridad e instrucciones de operación.

- SEGURIDAD
- ENSAMBLAJE
- OPERACIÓN
- MANTENIMIENTO
- LISTA DE PIEZAS

Sears Brands Management Corporation, Hoffman Estates, IL 60179 U.S.A.

Visite nuestro sitio web: www.craftsman.com

TABLA DE CONTENIDO

Seguridad	20
Garantía	23
Conozca su unidad	24
Especificaciones	24
Ensamblaje	25
Aceite y combustible	27
Arranque y parada	28
Operación	30
Mantenimiento	31
Limpieza y almacenamiento	34
Accesorio Speed Start™	34
Localización y solución de problemas	35
Convenio de protección de reparación	36
Lista de piezas	38
Números de servicio	Contraportada

Toda la información, las ilustraciones y especificaciones que contiene este manual se basan en la información más reciente del producto, existente en el momento de la impresión. Nos reservamos el derecho de hacer cambios en cualquier momento, sin previo aviso.

SEGURIDAD

El propósito de los símbolos de seguridad es llamar la atención sobre posibles peligros. Los símbolos de seguridad y sus explicaciones merecen toda su atención y comprensión. Las advertencias de seguridad no eliminan de por sí ningún peligro. Las instrucciones o advertencias que dan no sustituyen las medidas adecuadas de prevención de accidentes.

SÍMBOLO SIGNIFICADO

	PELIGRO: Indica un peligro EXTREMO. El no obedecer una señal de seguridad de PELIGRO TRAERÁ COMO CONSECUENCIA que usted u otras personas puedan sufrir lesiones graves o la muerte.
	ADVERTENCIA: Indica un peligro GRAVE. El no obedecer una señal de ADVERTENCIA de seguridad PUEDE conducir a que usted u otras personas sufran graves lesiones.
	PRECAUCIÓN: Indica un peligro MODERADO. El no obedecer una señal de PRECAUCIÓN de seguridad PUEDE conducir a daños a la propiedad o a que usted u otras personas se lesionen.

NOTA: Indica información o instrucciones de vital importancia para la operación o el mantenimiento del equipo.

NOTA SOBRE EL PARACHISPAS

NOTA: Para usuarios de la Zona Forestal de EE. UU., y los estados de California, Maine, Oregón y Washington. Todas las zonas forestales de EE.UU., así como los estados de California (Códigos de Recursos Públicos 4442 y 4443), Oregón y Washington exigen, por ley, que determinados motores de combustión interna operados en matorrales boscosos y/o zonas cubiertas de hierba, estén equipados con un parachispas y se mantengan en buen estado de funcionamiento, o que el motor sea construido, equipado y mantenido con vista a la prevención de incendios. Compruebe con las autoridades de su estado o localidad las reglamentaciones relacionadas con estos requisitos. Si no cumple estos requisitos podría estar sujeto a responsabilidad civil o multa. **Esta unidad viene equipada de fábrica con un parachispas.** El reemplazo requiere la pieza **No. 753-06418 del conjunto del silenciador**, instalada en un Centro de Piezas y Servicio de Reparaciones de Sears.

	PROPOSICIÓN 65 DEL ESTADO DE CALIFORNIA ADVERTENCIA: Los gases de escape, algunos de sus componentes y determinados productos terminados contienen o emiten productos químicos de los que el estado de California tiene conocimiento provocan cáncer, malformaciones congénitas u otros daños al sistema reproductor. Lávese las manos después de manipularlos.
--	--

Lea el manual del operador y siga todas las advertencias e instrucciones de seguridad. No hacerlo puede ocasionar lesiones graves al operador y/o a las personas presentes.

• INSTRUCCIONES DE SEGURIDAD IMPORTANTES •

LEA TODAS LAS INSTRUCCIONES ANTES DE OPERAR LA UNIDAD



ADVERTENCIA: Al usar la unidad deben seguirse todas las normas de seguridad. Lea estas instrucciones antes de operar la unidad a fin de garantizar la seguridad del operador y de cualquier otra persona presente. Guarde estas instrucciones para poder usarlas más adelante.

- Lea detenidamente las instrucciones. Familiarícese con los controles y el uso adecuado de la unidad.
- No opere esta unidad si está cansado, enfermo o bajo los efectos del alcohol, drogas o medicamentos.
- Los niños no deben operar la unidad. Los adolescentes deben estar acompañados y supervisados por un adulto.
- Inspeccione la unidad antes de utilizarla. Reemplace las piezas dañadas. Verifique que no haya fugas de combustible. Asegúrese de que todos los sujetadores estén en su sitio y asegurados. Cambie las piezas rajadas, melladas o dañadas de cualquier forma.
- Use solo la línea de corte indicada en la sección *Especificaciones*. No use nunca la línea reforzada con metal, alambre, cadena o soga. Los mismos pueden desprenderse y convertirse en un proyectil peligroso.
- Tenga en cuenta el riesgo de lesiones a la cabeza, las manos y los pies.
- Limpie el área a recortar antes de cada uso. Retire las piedras, vidrios rotos, clavos, alambres, cadenas y otros objetos que podrían salir despedidos o enredarse en el accesorio de corte. Aleje a los niños, personas presentes y animales domésticos del área; manténgalos fuera de un radio de 50 pies (15 m) como mínimo. Aún así es posible que se arriesguen a ser golpeados por los objetos lanzados. Sugiera a los presentes usar protección para los ojos. Si alguien se le acerca, pare la unidad inmediatamente.
- Apriete el control del regulador y compruebe que regresa automáticamente a la posición de marcha en vacío. Haga todos los ajustes o reparaciones antes de usar la unidad.

ADVERTENCIAS DE SEGURIDAD PARA UNIDADES DE GASOLINA



ADVERTENCIA: La gasolina es sumamente inflamable y, de prenderse, sus vapores pueden hacer explosión. Tome las siguientes precauciones:

- Almacene el combustible solo en los recipientes diseñados y aprobados específicamente para estos materiales.
- Pare siempre el motor y deje que se enfríe antes de llenar el tanque. Nunca quite la tapa del tanque de combustible ni eche combustible cuando el motor esté caliente. Antes de llenar el tanque, siempre afloje la tapa lentamente para disipar la presión del mismo.
- Mezcle o eche siempre el combustible en un área exterior bien ventilada y limpia, donde no haya chispas ni llamas. NO fume.
- No opere nunca la unidad si la tapa del combustible no está bien asegurada en su lugar.
- Evite el peligro de incendio debido a combustible derramado. Limpie de inmediato todo combustible derramado de la unidad antes de encenderla. Antes de arrancar el motor, aleje la unidad a una distancia de 30 pies (9.1 m) como mínimo del lugar de abasto de combustible. NO fume.
- No arranque ni use nunca la unidad dentro de una habitación o edificio cerrados. Inhalar los gases de escape puede ser fatal. Opere esta unidad solamente en un área exterior bien ventilada.

AL OPERAR LA UNIDAD

- Lleve puestas gafas o lentes de seguridad que cumplan las normas ANSI Z87.1 y estén marcados como tales. Use siempre protección para los oídos al operar esta unidad. Si la operación levanta polvo, lleve puesta una máscara facial o contra el polvo.
- Use pantalones largos y gruesos, botas, guantes y camisa de mangas largas. No use ropa holgada, alhajas, pantalones cortos, sandalias ni ande descalzo. Asegure su cabello por encima del nivel de los hombros.
- El protector del accesorio de la recortadora debe estar siempre en su sitio mientras se opere la unidad. No opere la unidad sin las dos líneas de corte extendidas y la línea correcta instalada. No extienda la línea de corte más allá de la longitud del protector.
- Esta unidad tiene un embrague. El cabezal de corte permanece estático cuando la unidad está en marcha en vacío. De no hacerlo, lleve la unidad a Sears o a otro distribuidor de servicio calificado para su ajuste.
- Ajuste el mango para facilitar el mejor agarre.
- Antes de arrancar la unidad, asegúrese de que el accesorio de corte no haga contacto con ningún objeto.
- Use la unidad únicamente a la luz del día o con buena luz artificial.
- Evite los arranques accidentales. Póngase en la posición de arranque siempre que tire de la cuerda. El operador y la unidad deben estar en una posición estable durante el arranque. Consulte la sección *Arranque y Parada*.
- Use la herramienta correcta. Use esta herramienta solamente con el propósito previsto.
- Sostenga siempre la unidad con ambas manos al operarla. Agarre firmemente ambos mangos o empuñaduras.
- Mantenga las manos, la cara y los pies lejos de todas las partes móviles. No toque ni trate de detener el accesorio de corte mientras esté girando.
- No toque el motor, el bastidor del engranaje ni el silenciador. Estas partes se ponen extremadamente calientes durante la operación y aún después de apagada la unidad.
- No opere el motor a una velocidad mayor que la necesaria para cortar, recortar o bordear. No ponga a funcionar el motor a alta velocidad cuando no esté cortando.
- Apague siempre el motor cuando el corte se demore o al caminar de un lugar a otro.
- Si golpea o se enreda con un objeto extraño, pare de inmediato el motor y verifique si hay algún daño. No ponga a funcionar el equipo sin reparar el daño. No opere la unidad si hay piezas flojas o dañadas.
- Apague el motor y desconecte la bujía para darle mantenimiento o hacer reparaciones.
- Utilice solamente las piezas de repuesto y accesorios del fabricante original que se listan en la sección Lista de piezas de este manual. El uso de cualquier pieza o accesorio no autorizado podría causar lesiones graves al usuario o daños a la unidad y anular la garantía.
- Mantenga la unidad limpia de vegetación y otros materiales que puedan trabarse entre el accesorio de corte y el protector.
- Para evitar el peligro de incendio, reemplace el silenciador y parachispas defectuosos. Mantenga el motor y el silenciador sin hierbas, hojas, grasa excesiva y sin acumulación de carbón.

OTRAS ADVERTENCIAS DE SEGURIDAD

- No guarde nunca la unidad con combustible en el tanque ni dentro de una edificación en la que los gases puedan ponerse en contacto con una llama expuesta (luces piloto, etc.) o chispas (interruptores, motores eléctricos, etc.).

- Espere a que el motor se enfríe para guardar o transportar la unidad. Cerciórese de asegurar bien la unidad al transportarla.
- Guarde la unidad en un lugar seco, bajo llave o en alto, a fin de evitar su uso no autorizado o daño. Manténgala fuera del alcance de los niños.
- No moje ni rocíe la unidad con agua ni con ningún otro líquido. Mantenga los mangos secos, limpios y sin suciedades. Limpie la unidad después de cada uso, consulte las instrucciones de *Limpieza y almacenamiento*.
- Guarde estas instrucciones. Consúltelas con frecuencia y utilícelas para instruir a otros usuarios. Si le presta esta unidad a alguien, préstele también estas instrucciones.

GUARDE ESTAS INSTRUCCIONES

• SÍMBOLOS INTERNACIONALES Y DE SEGURIDAD •

Este manual del operador describe símbolos y pictografías internacionales y de seguridad que posiblemente aparezcan en este producto. Lea el manual del operador para informarse bien sobre la seguridad, ensamblaje, operación, mantenimiento y reparación.

SÍMBOLO SIGNIFICADO

	<ul style="list-style-type: none"> • SÍMBOLO DE ALERTA DE SEGURIDAD Indica peligro, advertencia o precaución. Puede utilizarse junto a otros símbolos o pictografías.
	<ul style="list-style-type: none"> • LEA EL MANUAL DEL OPERADOR ADVERTENCIA: Lea el o los manuales del operador y siga todas las advertencias e instrucciones de seguridad. No hacerlo puede ocasionar lesiones graves al operador y/o a las personas presentes.
	<ul style="list-style-type: none"> • USE PROTECCIÓN PARA LOS OJOS Y OÍDOS ADVERTENCIA: Los objetos lanzados y el ruido fuerte pueden ocasionar lesiones graves a los ojos y pérdida de la audición. Al operar esta unidad, lleve puestas gafas o lentes de seguridad que cumplan la norma ANSI Z87.1-1989 y protección para los oídos. De ser necesario, use un protector facial completo.
	<ul style="list-style-type: none"> • COMBUSTIBLE SIN PLOMO Use siempre combustible fresco, limpio y sin plomo.
	<ul style="list-style-type: none"> • ACEITE Consulte el tipo de aceite adecuado en el manual del operador.
	<ul style="list-style-type: none"> • NO USE COMBUSTIBLE E85 EN ESTA UNIDAD ADVERTENCIA: Se ha comprobado que es probable que el combustible con más de 10% de etanol dañe este motor, lo que anulará la garantía.

SÍMBOLO SIGNIFICADO

	<ul style="list-style-type: none"> • CONTROL DE ENCENDIDO/APAGADO DE PARADA ENCENDIDO / ARRANQUE / FUNCIONAMIENTO
	<ul style="list-style-type: none"> • CONTROL DE ENCENDIDO/APAGADO DE PARADA APAGADO o PARADA
	<ul style="list-style-type: none"> • PERA DEL CEBADOR Oprima 10 veces la pera del cebador, lentamente y por completo.
	<ul style="list-style-type: none"> • CONTROL DEL OBTURADOR 1 • Posición de OBTURACIÓN COMPLETA 2 • Posición de OBTURACIÓN PARCIAL 3 • Posición de MARCHA
	<ul style="list-style-type: none"> • LOS OBJETOS QUE SALEN DESPEDIDOS Y LA CUCHILLA GIRATORIA PUEDEN OCASIONAR LESIONES GRAVES ADVERTENCIA: Los objetos pequeños pueden ser lanzados a gran velocidad y ocasionar lesiones. Manténgase alejado del rotor cuando esté girando.
	<ul style="list-style-type: none"> • MANTENGA ALEJADOS A LOS PRESENTES ADVERTENCIA: Mantenga a todos los presentes, especialmente a los niños y animales domésticos, a una distancia de al menos 50 pies (15 m).
	<ul style="list-style-type: none"> • SUPERFICIE CALIENTE ADVERTENCIA: No toque un silenciador o cilindro calientes. Podría quemarse. Estas partes se ponen extremadamente calientes durante la operación. Después de apagada la unidad, se mantendrán calientes durante un rato.
	<ul style="list-style-type: none"> • CUCHILLA AFILADA ADVERTENCIA: Cuchilla afilada en el protector del accesorio de corte. A fin de evitar lesiones graves, no toque nunca la cuchilla de corte de la línea.

GARANTÍA

GARANTÍA TOTAL POR DOS AÑOS CRAFTSMAN

Este producto se garantiza POR DOS AÑOS a partir de la fecha de compra, contra cualquier defecto de materiales o mano de obra. Un producto defectuoso se reparará sin costo alguno o se reemplazará si no es posible repararlo.

GARANTÍA LIMITADA ADICIONAL para los EJES DEL CORTADOR

A PARTIR DEL TERCER Y HASTA EL DÉCIMO AÑO desde la fecha de compra, el cuerpo externo de metal de los ejes superior e inferior del cortador están garantizados contra defectos de materiales o fabricación. Se proporcionará un cuerpo nuevo gratis con la presentación del comprobante de compra. Es su responsabilidad cubrir el costo de mano de obra de instalación. Esta cobertura adicional no se aplica a los componentes internos del eje de la cortadora.

Para conocer los detalles de la cobertura de garantía para la reparación o reemplazo gratuitos, visite el sitio web: www.craftsman.com
Esta garantía cubre SOLAMENTE defectos de materiales o mano de obra. La cobertura de garantía NO incluye:

- Los componentes consumibles que se desgasten debido al uso normal dentro del período de garantía como líneas de corte, bujías o filtros.
- Los daños al producto a consecuencia de intentos de modificación o reparación del usuario u ocasionados por accesorios del producto.
- Las reparaciones necesarias por un accidente o por no operar o mantener el producto de acuerdo con todas las instrucciones suministradas.
- El mantenimiento preventivo ni las reparaciones necesarias debido a una mezcla incorrecta de combustible o a al uso de un combustible viejo o contaminado.

Esta garantía se anula si el producto en algún momento se utiliza para prestar servicios comerciales o se alquila a otra persona.

Esta garantía le confiere a usted derechos legales específicos y usted puede tener, además, otros derechos que difieren de un estado a otro.

Sears Brands Management Corporation, Hoffman Estates, IL 60179

PARA PREGUNTAS SOBRE SEGURIDAD, OPERACIÓN Y MANTENIMIENTO MIENTRAS DURE LA GARANTÍA O PARA ORDENAR PIEZAS Y PROGRAMAR EL SERVICIO DE REPARACIÓN, LLAME AL 1-800-4-MY-HOME®.

CONOZCA SU UNIDAD

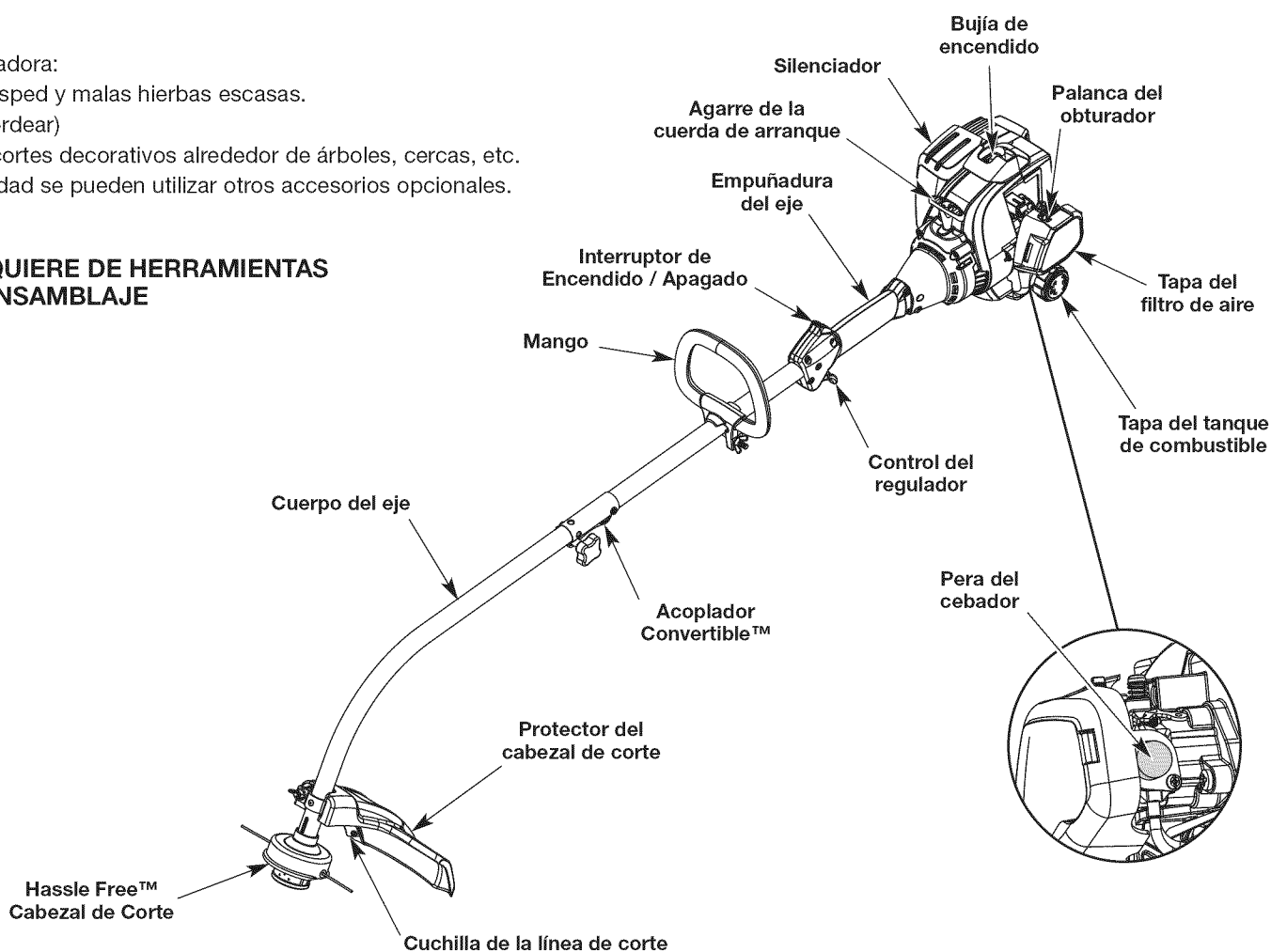
USOS

Como recortadora:

- Cortar césped y malas hierbas escasas.
- Orillar (bordear)
- Hacer recortes decorativos alrededor de árboles, cercas, etc.

Con esta unidad se pueden utilizar otros accesorios opcionales.

NO SE REQUIERE DE HERRAMIENTAS PARA EL ENSAMBLAJE



ESPECIFICACIONES*

Tipo de motor	Enfriado por aire, de 2 tiempos
Cilindrada	25 cc (1.52 pulg. cúbicas)
RPM de marcha en vacío	2,800 - 3,400 rpm
RPM de operación	+6,300 rpm
Abertura de la bujía	0.025 pulgadas (0.635 mm)
Bujía de encendido	Bujía Champion® RDJ7J o equivalente
Lubricación	Mezcla de aceite/combustible
Proporción de aceite/combustible	40:1
Capacidad del tanque de combustible	10 onzas (296 ml)
Peso aproximado de la unidad (sin combustible, con cabezal de corte, protector del cabezal de corte y mango)	10 - 11 libras (4.5 - 5 kg)
Mecanismo de corte	Cabezal Hassle Free™
Línea de Corte	Línea Espiral Mediana Hassle Free™ XTRA QUIET de 0.110 pulgadas (2.79 mm)
Diámetro de la senda de corte	14 pulgadas (35.56 cm)

* Todas las especificaciones se basan en la información del producto más reciente disponible en el momento de la impresión. Nos reservamos el derecho de hacer cambios en cualquier momento, sin previo aviso.

INSTALACIÓN DEL PROTECTOR DEL CABEZAL DE CORTE



ADVERTENCIA: Para evitar lesiones personales graves, no opere nunca la unidad sin el protector del cabezal de corte colocado.

Si el protector del cabezal de corte no está instalado, siga las instrucciones a continuación. Siga solamente las instrucciones que correspondan al tipo de eje y protector con que está equipada esta unidad.

1. Quite la tuerca de mariposa y la arandela del protector del cabezal de corte.
2. Inserte la lengüeta corta (la que no tiene orificio) del soporte de montaje en la ranura del protector del cabezal de corte (Fig. 1).
3. Rote el protector del cabezal de corte en sentido contrario a las agujas del reloj para alinear el orificio del protector del cabezal de corte con el orificio en el soporte de montaje (Fig. 1).
4. Inserte el perno cuadrado en el orificio bajo el protector del cabezal de corte (Fig. 2). Presione el perno cuadrado a través del protector del cabezal de corte y el soporte de montaje.
5. Coloque la arandela en el perno cuadrado (Fig. 2).
6. Enrosque la tuerca de mariposa en el perno cuadrado hasta que el protector del cabezal de corte esté firme en su lugar (Fig. 2).

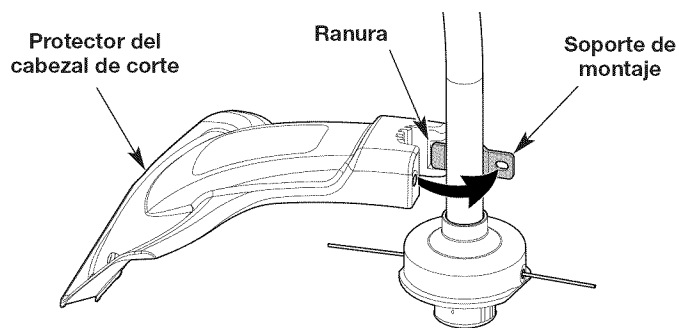


Fig. 1

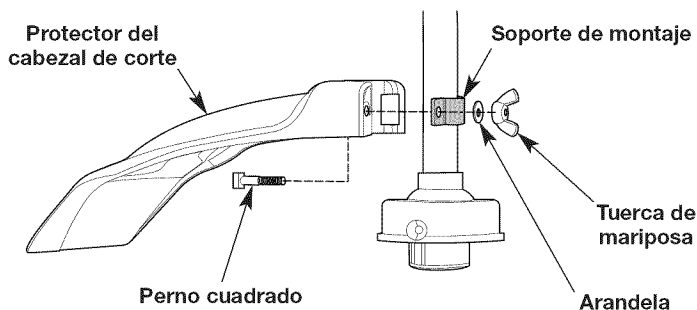


Fig. 2

AJUSTE DEL MANGO

Si necesita ajustar el mango:

1. Afloje la tuerca de mariposa (Fig. 3).
2. Sin dejar de sujetar la unidad en posición de operación (Fig. 10), mueva el mango hasta el lugar que le dé el mejor agarre. Colóquelo a una distancia mínima de 6 pulgadas (15,24 cm) de la base de la empuñadura del eje (Fig. 3).
3. Apriete la tuerca de mariposa hasta asegurar el mango.

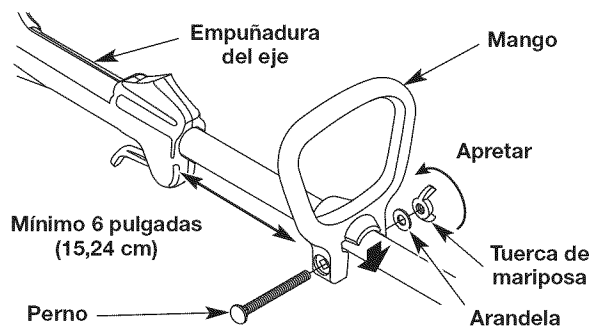


Fig. 3

OPERAR EL SISTEMA DE ACOPLADOR CONVERTIBLE™

ADVERTENCIA: Para evitar lesiones personales graves y daños a la unidad, apague la unidad antes de quitar o instalar cualquier accesorio.

NOTA: Para facilitar la instalación o remoción de un accesorio, coloque la unidad sobre el suelo o sobre un banco de trabajo.

Instalar el accesorio de corte u otro accesorio

NOTA: Para ensamblar el accesorio, quite la tapa protectora y el espaciador gris de los ejes superior e inferior.

1. Para aflojar, gire la perilla en sentido contrario a las agujas del reloj (Fig. 4).
2. Sosteniendo firmemente el accesorio de corte u otro accesorio, empújelo directamente dentro del acoplador Convertible™ hasta que el botón de desconexión encaje sólidamente en el orificio principal (Fig. 6).

NOTA: Alinear el botón de desconexión con el agujero guía facilitará la instalación (Fig. 5).

3. Para apretar, gire la perilla en el sentido de las agujas del reloj (Fig. 4).

PRECAUCIÓN: Antes de operar esta unidad, cerciórese de que el botón de liberación esté completamente encajado en el orificio principal (Fig. 6) y de que la perilla (Fig. 4) esté bien apretada.

Para hacer cortes (orillados) decorativos con el accesorio de corte del cabezal de línea, trabe el botón de desconexión del accesorio en el interior del orificio de 90° (Fig. 4).

Quitar el accesorio de corte u otro accesorio

1. Para aflojar, gire la perilla en sentido contrario a las agujas del reloj (Fig. 4).
2. Oprima y sostenga el botón de desconexión (Fig. 5).
3. Sujetando el cuerpo del eje superior, tire directamente del accesorio de corte o de cualquier otro accesorio para sacarlo del acoplador Convertible™ (Fig. 6).

Sistema acoplador Convertible™

El sistema del acoplador Convertible™ permite usar estos accesorios opcionales.

- Bordeadora
- Cultivadora
- Turbosopladora
- Desbrozadora
- Sierra de pértiga
- Recortadora de setos
- Recortadora de eje recto
- Recortadora de eje curvo

ADVERTENCIA: Antes de utilizar cualquier accesorio, lea y familiarícese con el manual que viene con el mismo. Siga todas las instrucciones de seguridad que contengan.

PRECAUCIÓN: Estos accesorios deben encajarse solamente en el orificio principal. Usar un orificio incorrecto podría ocasionar lesiones personales o daños a la unidad.

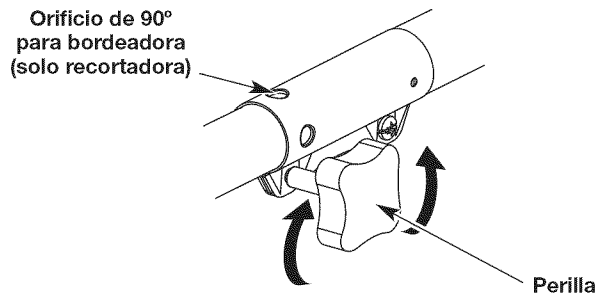


Fig. 4

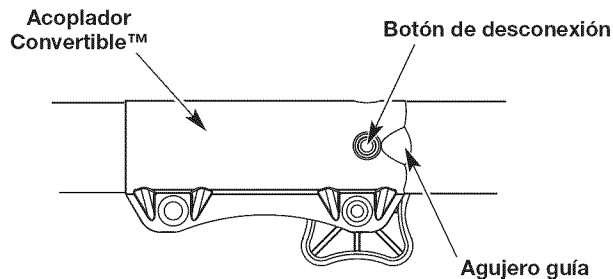


Fig. 5

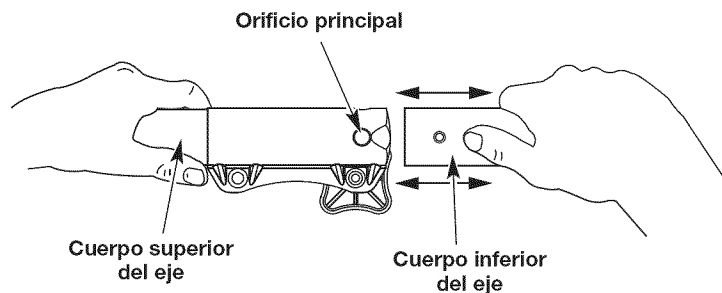


Fig. 6

ACEITE Y COMBUSTIBLE

INSTRUCCIONES PARA MEZCLAR EL ACEITE Y EL COMBUSTIBLE

El uso de un combustible viejo y/o mal mezclado es la causa más común de problemas de funcionamiento. Utilice solamente gasolina fresca, limpia y sin plomo. Siga atentamente las instrucciones para mezclar adecuadamente el aceite/combustible.

Definición de combustibles mezclados


Los combustibles actuales son con frecuencia una mezcla de gasolina e hidrocarburos oxigenados como el etanol, metanol o MTBE (éter). El combustible mezclado con alcohol absorbe agua. Un 1% de agua es suficiente para separar la mezcla de aceite y alcohol o formar ácidos al estar guardado. Utilice SIEMPRE combustible fresco (con menos de 30 días).

NOTA: Deseche el aceite viejo, de conformidad con las regulaciones federales, estatales y locales.

Uso de combustibles mezclados

Si utiliza un combustible mezclado:

- Utilice siempre la mezcla fresca de combustible indicada en su manual del operador
- Use el aditivo STA-BIL® o un equivalente
- Agite siempre la mezcla de combustible antes de abastecer la unidad
- Vacíe el tanque y eche a andar el motor en seco antes de guardar la unidad


	ADVERTENCIA: NO USE COMBUSTIBLE E85 EN ESTA UNIDAD. Se ha comprobado que es probable que el combustible con más de 10% de etanol dañe este motor, lo que anulará la garantía.
--	--

Uso de aditivos para combustible



La botella de aceite para motor de 2 tiempos que viene con esta unidad contiene un aditivo que ayudará a inhibir la corrosión y minimizará los depósitos de goma. Utilice siempre la marca de aceite para motor de 2 tiempos que viene con esta unidad. Si no es posible, utilice un buen aceite para motores de 2 tiempos enfriados por aire y mézclelo con un aditivo como el estabilizador de gasolina STA-BIL o un equivalente. Eche 0.8 onzas (23 ml) de aditivo por galón de combustible según las instrucciones del recipiente. No eche NUNCA los aditivos directamente en el tanque de combustible de la unidad.

Mezclar el combustible

NOTA: Esta unidad trae un frasco de 3.2 onzas de aceite para motor de 2 tiempos. Para que la mezcla de combustible descrita anteriormente sea la correcta, échele la botella completa a un galón de gasolina sin plomo.


	PRECAUCIÓN: Para el funcionamiento adecuado y máxima confiabilidad del motor, hay que prestar rigurosa atención a las instrucciones para mezclar el aceite y la gasolina que están en la botella del aceite para motores de 2 tiempos. Usar un combustible mal mezclado puede dañar seriamente el motor.
---	---


Mezcle bien la proporción adecuada de gasolina sin plomo y aceite para motor de 2 tiempos. No los mezcle directamente en el tanque de combustible de la unidad. Utilice una lata aparte para combustible. Use una proporción de combustible/aceite 40:1. Vea en la tabla a continuación las proporciones específicas de gasolina y aceite.


	
Gasolina sin plomo	Aceite para motor de 2 tiempos
1 galón EE.UU. (3.8 litros)	3.2 onzas fluidas (95 ml)
1 litro	25 ml

PROPORCIÓN - 40:1

ABASTECER DE COMBUSTIBLE LA UNIDAD

	ADVERTENCIA: La gasolina es sumamente inflamable. De prenderse, los vapores pueden hacer explosión. Pare siempre el motor y deje que se enfríe antes de llenar el tanque de combustible. No fume mientras llena el tanque. Aléjese de los lugares donde haya chispas y llamas expuestas.
---	---

	ADVERTENCIA: Quite lentamente la tapa de combustible a fin de evitar lesiones por salpicaduras. No opere nunca la unidad si la tapa del combustible no está bien asegurada en su lugar.
---	--

	ADVERTENCIA: Eche el combustible en un área exterior bien ventilada y limpia. Limpie de inmediato todo el combustible derramado. Evite el peligro de incendio debido a combustible derramado. No arranque el motor hasta que no se hayan disipado los vapores de combustible.
---	--

1. Coloque la unidad con la tapa del tanque de combustible mirando hacia arriba.
2. Quítele la tapa al tanque.
3. Coloque la boquilla del depósito de gasolina en el orificio de llenado del tanque de combustible y llénelo.

NOTA: No rebose el tanque.

4. Limpie todo el combustible que pueda haberse derramado.
5. Vuelva a ponerle la tapa al tanque de gasolina.
6. Antes de arrancar el motor, aleje la unidad a una distancia de 30 pies (9.1 m) como mínimo del lugar de abasto de combustible.

ARRANQUE Y PARADA



ADVERTENCIA: Opere esta unidad solamente en un área exterior bien ventilada. El monóxido de carbono de los gases de escape puede ser letal en un área confinada.



ADVERTENCIA: Evite arrancar la unidad por accidente. A fin de evitar lesiones graves, el operador y la unidad deben estar en una posición estable al tirar de la cuerda de arranque (Fig. 9).

INSTRUCCIONES DE ARRANQUE

1. Mezcle la gasolina con el aceite. Consulte las *Instrucciones para mezclar el aceite y el combustible*.
2. Llene el tanque de combustible. Consulte *Abastecer de combustible la unidad*.

NOTA: No hay necesidad de encender la unidad. El interruptor de Encendido/Apagado debe estar en la posición ENCENDIDO (I) en todo momento (Fig. 7).

3. Oprima y suelte despacio la pera del cebador **10 veces** (Fig. 8). Si no se ve combustible en la pera del cebador, oprima y suelte la pera hasta que se vea el combustible.
4. Mueva la palanca del obturador a la **Posición 1** (Fig. 8).
5. Agáchese en la posición de arranque (Fig. 9).
6. Apriete el control del regulador (Fig. 7) y tire de la cuerda **5 veces** con movimiento regulado y firme (Fig. 9).

NOTA: APRIETE y NO SUELTE el control del regulador en **TODOS** los pasos siguientes.

NOTA: Esta unidad utiliza el sistema de arranque **INCREDI-PULL™**, que reduce notablemente el esfuerzo necesario para arrancar el motor.

7. Siga apretando el control del regulador. Mueva la palanca del obturador a la **Posición 2** (Fig. 8).
8. Siga apretando el control del regulador. Tire de la cuerda de arranque unas **3 a 5 veces** con movimiento regulado y firme para arrancar el motor.
9. Siga apretando el control del regulador. Deje que el motor se caliente de 30 a 60 segundos.
10. Siga apretando el control del regulador. Mueva la palanca del obturador a la **Posición 3** (Fig. 8) y siga calentando el motor otros 60 segundos. La unidad se puede usar en este momento.

NOTA: Cuando el motor acelera sin fallar, la unidad ya se calentó como es debido.

SI... el motor falla, mueva de nuevo la palanca del obturador a la **Posición 2** (Fig. 8) y siga calentándolo.

SI... el motor no arranca, regrese al paso 3.

SI... el motor no arranca después de unos cuantos intentos, ponga la palanca del obturador en la **Posición 3** y apriete el control del regulador. Tire de la cuerda de arranque unas **3 a 8 veces** con movimiento regulado y firme. El motor deberá arrancar. Si no lo hace, repita estas instrucciones.

SI... el motor ya está caliente, regrese al paso 7.

INSTRUCCIONES DE APAGADO

1. Suelte el control del regulador y deje que el motor trabaje en vacío.
2. Oprima y no suelte el interruptor de control de Encendido y Apagado en la posición APAGADO (O) hasta que el motor se detenga por completo (Fig. 7).

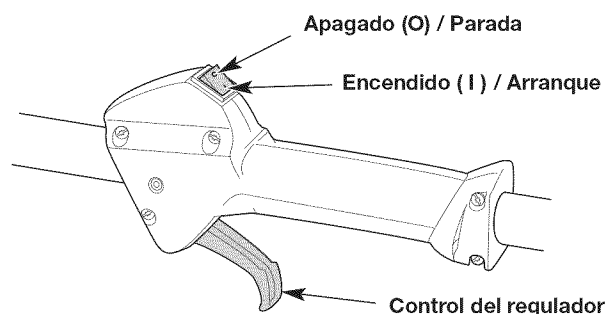


Fig. 7

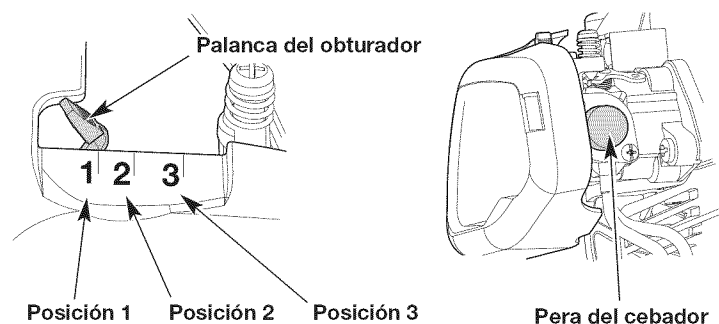


Fig. 8



Fig. 9

NOTA: En esta unidad se puede usar un accesorio Speed Start™.

Para utilizar correctamente este dispositivo, consulte el manual del operador del accesorio Speed Start™. (¡Los accesorios se venden por separado! Para informarse más sobre los accesorios Speed Start™, vaya a la sección *Accesorio Speed Start™* de este manual.)

INSTRUCCIONES DE ARRANQUE

1. Mezcle la gasolina con el aceite. Consulte las *Instrucciones para mezclar el aceite y el combustible*.
2. Llene el tanque de combustible. Consulte *Abastecer de combustible la unidad*.

NOTA: No hay necesidad de encender la unidad. El interruptor de Encendido/Apagado debe estar en la posición ENCENDIDO (I) en todo momento (Fig. 7).

3. Oprima y suelte despacio la pera del cebador **10 veces** (Fig. 8). Si no se ve combustible en la pera del cebador, oprima y suelte la pera hasta que se vea el combustible.
4. Mueva la palanca del obturador a la **Posición 1** (Fig. 8).
5. Agáchese en la posición de arranque (Fig. 9).
6. Coloque el accesorio Speed Start™ en el puerto Speed Start™ (Fig. 19). Consulte la sección *Operación* del manual del operador del accesorio Speed Start™.
7. Oprima control del regulador y no lo suelte (Fig. 7). Eche a andar el accesorio Speed Start™ durante 2 segundos.

NOTA: APRIETE y NO SUELTE el control del regulador en **TODOS** los pasos siguientes.

8. Siga apretando el control del regulador. Mueva la palanca del obturador a la **Posición 2** (Fig. 8).
9. Siga apretando el control del regulador. Eche a andar el accesorio Speed Start™ por intervalos no mayores de 2 segundos cada vez hasta que la unidad arranque.
10. Saque el accesorio Speed Start™ de la unidad.
11. Siga apretando el control del regulador. Deje que el motor se caliente de 30 a 60 segundos.
12. Siga apretando el control del regulador. Mueva la palanca del obturador a la **Posición 3** (Fig. 8) y siga calentando el motor otros 60 segundos. La unidad se puede usar en este momento.

NOTA: Cuando el motor acelera sin fallar, la unidad ya se calentó como es debido.

SI... el motor falla, mueva de nuevo la palanca del obturador a la **Posición 2** (Fig. 8) y siga calentándolo.

SI... el motor no arranca, regrese al paso 3.

SI... el motor no arranca después de unos cuantos intentos, ponga la palanca del obturador en la **Posición 3** y apriete el control del regulador. Eche a andar el accesorio Speed Start™ por intervalos no mayores de 2 segundos cada vez hasta que la unidad arranque. El motor deberá arrancar. Si no lo hace, repita estas instrucciones.

SI... el motor ya está caliente, regrese al paso 8.

INSTRUCCIONES DE APAGADO

1. Suelte el control del regulador y deje que el motor trabaje en vacío.
2. Oprima y no suelte el interruptor de control de Encendido y Apagado en la posición APAGADO (O) hasta que el motor se detenga por completo (Fig. 7).

SOSTENER LA RECORTADORA



ADVERTENCIA: Al operar esta unidad, lleve siempre puesta protección para los ojos, oídos, pies y cuerpo a fin de reducir el riesgo de lesiones.

- Párese en la posición de operación (Fig. 10).
- Sostenga la empuñadura del eje con la mano derecha. Mantenga el brazo derecho ligeramente flexionado.
- Sujete el mango con la mano izquierda. Mantenga el brazo izquierdo recto.
- Sujete la unidad a la altura de la cintura.
- Sostenga el cabezal de corte paralelo al suelo de modo que haga contacto con la hierba fácilmente, sin necesidad de inclinarse.



Fig. 10

RECOMENDACIONES PARA LOS MEJORES RESULTADOS AL RECORTAR

- Mantenga el cabezal de corte paralelo al suelo.
- Corte de izquierda a derecha siempre que sea posible. Esto mejora la eficiencia de corte de la unidad y arroja los recortes de yerba lejos del operador.
- No recorte césped húmedo ni maleza.

NOTA: La línea puede romperse por lo siguiente:

- Enredarse con materia extraña
- Fatiga normal de la línea
- Intentar cortar vegetación espesa
- Forzar la línea en objetos como paredes o postes de cercas

RECORTE DECORATIVO

Para hacer un recorte decorativo alrededor de árboles, postes, cercas, etc., gire toda la unidad de manera que el cabezal de corte quede a un ángulo de 30° respecto al suelo (Fig. 11).

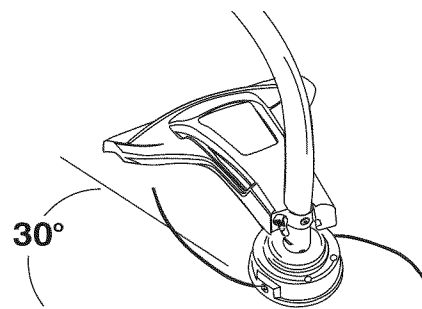


Fig. 11



ADVERTENCIA: Para evitar lesiones graves, no haga nunca ningún mantenimiento ni reparación con la unidad funcionando. Siempre deje que la unidad se enfríe antes de darle mantenimiento o repararla. Desconecte el cable de la bujía para evitar que la unidad arranque por accidente.

PLAN DE MANTENIMIENTO

Lleve a cabo los procedimientos necesarios de mantenimiento con la frecuencia indicada en la tabla. Estos procedimientos deberán también formar parte de cualquier ajuste de temporada.

NOTA: Es posible que algunos procedimientos de mantenimiento requieran herramientas o habilidades especiales. Si no está seguro de poder llevar a cabo estos procedimientos, lleve la unidad a Sears u otro distribuidor de servicio calificado. Para más información, llame al **1-800-4-MY-HOME**.

NOTA: Es conveniente que el mantenimiento, reemplazo o reparación de los dispositivos y sistemas de control de emisiones se lleven a cabo en Sears u otro distribuidor de servicio calificado. Para más información, llame al **1-800-4-MY-HOME**.

NOTA: Para ver la lista completa de términos y la cobertura de los dispositivos de control de emisiones como parachispas, silenciador, carburador, etc., lea la declaración de California/EPA que viene junto con la unidad.

FRECUENCIA	MANTENIMIENTO NECESARIO
Cada 10 horas	Limpiar y volver a engrasar el filtro de aire. Consulte <i>Mantenimiento del filtro de aire</i> .
Cada 25 horas	Comprobar el estado y abertura de la bujía. Consulte <i>Mantenimiento de la bujía</i> .

CAMBIAR LA LÍNEA DE CORTE

Use solo la línea de corte indicada en la sección *Especificaciones*. Otro tipo de línea de corte podría provocar recalentamiento o falla del motor.



ADVERTENCIA: No use nunca la línea reforzada con metal, alambre, cadena o soga. Los mismos pueden desprenderse y convertirse en un proyectil peligroso.

Instalación de la Nueva Línea de Corte

1. Quite la línea vieja del cabezal de corte.
2. Use un paño limpio para limpiar la superficie del cabezal de corte. Si el cabezal de corte está muy sucio para aceptar la línea, consulte *Limpiar el Cabezal de Corte*.
3. Inserte los extremos de la línea en los orificios circulares grandes ubicados al costado del cabezal de corte (Fig. 12). Empuje la línea a través de los orificios hasta que ambos extremos salgan de los túneles de colocación (Fig. 13).
4. Hale los extremos de la línea hasta que la misma esté apretada contra el cabezal de corte. Asegúrese de que los extremos de la línea sean de igual longitud (Fig. 14).

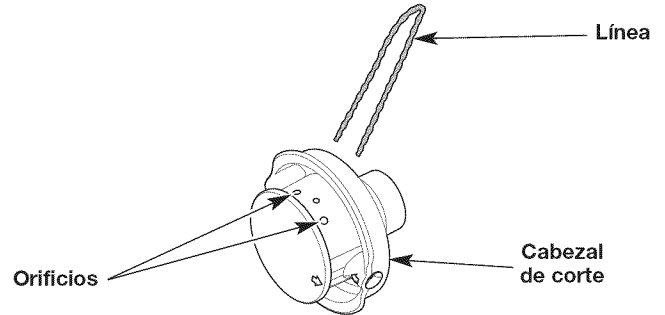


Fig. 12

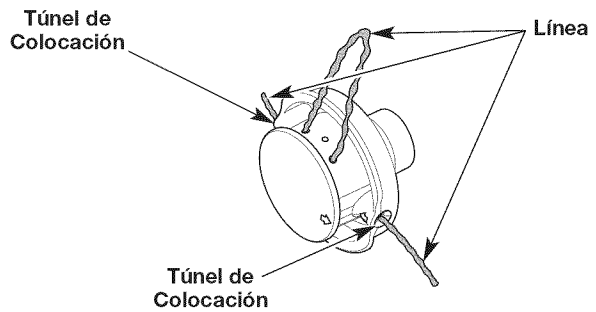


Fig. 13

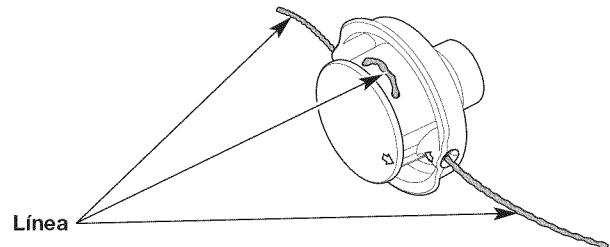


Fig. 14

Limpeza del Cabezal de Corte

NOTA: El cabezal de corte permanecerá fijo a la unidad.

1. Quite la línea vieja del cabezal de corte. La placa deslizante de la línea no se puede quitar si todavía hay línea en el cabezal de corte.
2. Inserte un destornillador Phillips pequeño en el orificio de la lengüeta de traba y empújela hacia adentro (Fig. 15). Al mismo tiempo, hale la placa deslizante de la línea fuera del cabezal de corte.
3. Use un paño limpio para limpiar el interior del cabezal de corte y la plaza deslizante de la línea.
4. Alinee la flecha de la placa deslizante de la línea con la flecha en el cabezal de corte (Fig.15).
5. Empuje la placa deslizante de la línea hacia el cabezal de corte hasta que la lengüeta de traba caiga en su lugar.

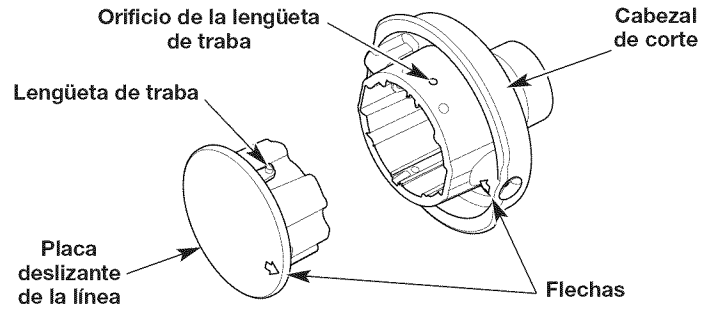


Fig. 15

MANTENIMIENTO DEL FILTRO DE AIRE

ADVERTENCIA: Para evitar lesiones personales graves, apague siempre el motor y deje que se enfríe antes de limpiar o dar mantenimiento a la unidad.

No dar mantenimiento al filtro de aire correctamente puede hacer que el motor funcione mal o dañarlo para siempre. La falla del motor debida al mantenimiento inadecuado del filtro no está cubierta por la garantía del producto.

Limpiar el filtro de aire

1. Abra la tapa del filtro de aire. Presione la lengüeta de de traba hacia adentro y gire la tapa del filtro de aire hacia la derecha (Fig. 16).
2. Saque el filtro de aire del interior de la tapa (Fig. 16).
3. Lave el filtro de aire con agua y detergente. Enjuague bien el filtro y déjelo secar.
4. Recúbralo con una ligera capa de aceite SAE 30 limpio.
5. Exprima el filtro para esparcir y eliminar el exceso de aceite.
6. Vuelva a poner el filtro dentro de la tapa del filtro de aire (Fig. 16).

NOTA: Operar la unidad sin el filtro de aire, ANULARÁ la garantía.

7. Cierre la tapa del filtro de aire. Gire la tapa del filtro de aire hacia la izquierda y presiónela hasta que la lengüeta de traba encaje en su lugar (Fig. 16).

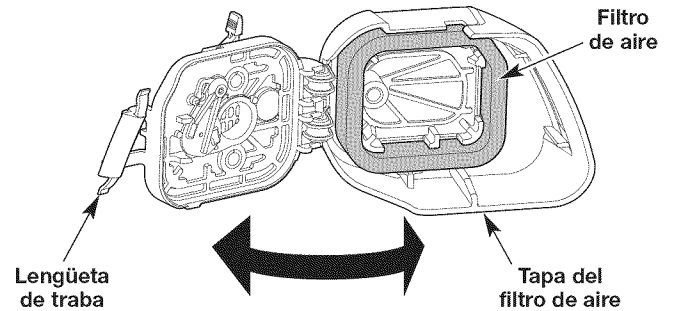


Fig. 16

AJUSTAR LA VELOCIDAD DE MARCHA EN VACÍO



ADVERTENCIA: El cabezal de corte puede girar durante los ajustes de marcha en vacío. Use ropa de protección y observe todas las instrucciones de seguridad para evitar lesiones personales graves.

NOTA: Los ajustes negligentes pueden dañar seriamente la unidad.

Los ajustes del carburador debe hacerlos un distribuidor de Sears u otro distribuidor de servicio calificado.

Si después de comprobar el combustible y limpiar el filtro de aire, el motor aún no trabaja en vacío, ajuste el tornillo de marcha en vacío de la siguiente manera:

1. Arranque el motor. Consulte la sección *Arranque y Parada*.
2. Suelte el control del regulador y deje que el motor trabaje en vacío. Si el motor se apaga, use un destornillador pequeño Phillips para girar el tornillo de marcha en vacío en el sentido de las agujas del reloj, dándole 1/8 de vuelta cada vez (según sea necesario), hasta que el motor funcione en marcha en vacío sin inconvenientes (Fig. 17).
3. Si el motor entra en marcha en vacío muy rápidamente, gire el tornillo de marcha en vacío en sentido contrario a las agujas del reloj 1/8 de vuelta cada vez (según sea necesario) para reducir la marcha en vacío (Fig. 17).

Comprobar el combustible, limpiar el filtro de aire y ajustar la marcha en vacío, deberían resolver la mayoría de los problemas del motor. En caso contrario y de no cumplirse ninguna de las siguientes condiciones, lleve la unidad a Sears o a otro distribuidor de servicio calificado:

- el motor no funciona en marcha en vacío
- el motor falla o se cala al acelerar
- hay una pérdida de potencia del motor

MANTENIMIENTO DE LA BUJÍA

1. Detenga el motor y déjelo enfriar. Agarre firmemente la pipa (capucha) y sáquela de la bujía.
2. Limpie alrededor de la bujía. Saque la bujía de la culata girándola en sentido contrario a las agujas del reloj con una llave de bujía de 5/8 de pulgada.



ADVERTENCIA: No sople, raspe ni limpie los electrodos con arena. La arenisca en el motor podría dañar el cilindro.

3. Inspeccione la bujía. Si la bujía de encendido está rajada, corroída o sucia, reemplácela con una pieza de repuesto **#753-06193, Champion RDJ7J** o una bujía equivalente.
4. Use un calibrador de hoja para ajustar abertura de la bujía a **0.025 pulgadas (0.635 mm)** (Fig. 18).
5. Instale la bujía en la culata del motor. Apriete la bujía en el sentido de las agujas del reloj con una llave de bujía de 5/8 hasta ajustarla.

NOTA: Si usa una llave dinamométrica, use un par de torsión de:

110-120 pulgada•libra (12.3-13.5 N•m). No apriete demasiado.

6. Vuelva a ponerle la pipa (capucha).

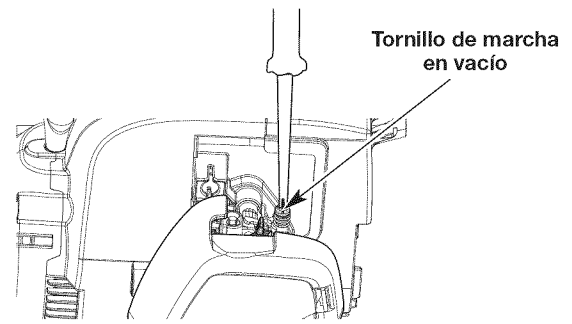


Fig. 17

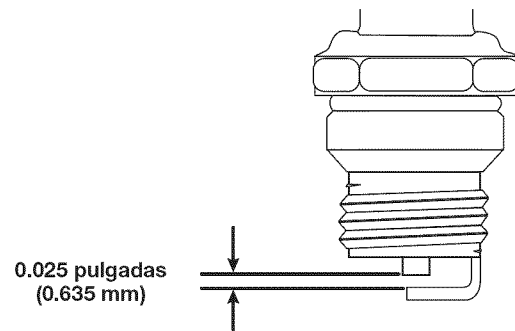


Fig. 18

LIMPIEZA Y ALMACENAMIENTO

LIMPIEZA



ADVERTENCIA: Para evitar lesiones personales graves, apague siempre el motor y deje que se enfríe antes de limpiar o dar mantenimiento a la unidad.

Use un cepillo pequeño para limpiar la unidad por fuera. No utilice detergentes fuertes. Los limpiadores caseros que contienen aceites esenciales, por ejemplo, de pino y limón, y los solventes como el queroseno, pueden dañar el plástico. Seque la humedad con un paño suave.

ALMACENAMIENTO

- No guarde nunca la unidad con combustible en el tanque en un lugar en el que los gases puedan ponerse en contacto con una llama expuesta o chispas.
- Espere a que el motor se enfríe para guardar la unidad.
- Guarde la unidad bajo llave para evitar su uso no autorizado o daño.
- Guarde la unidad en un lugar seco y bien ventilado.
- Guarde la unidad fuera del alcance de los niños.

Almacenamiento por corto tiempo (1 a 2 semanas)

1. Guarde la unidad en posición horizontal. Si no es posible, guarde la unidad en posición vertical con el motor para arriba.

Almacenamiento a largo plazo

1. Qúitele la tapa al tanque de combustible, incline la unidad y vacíe el combustible en un contenedor aprobado.
2. Arranque el motor y déjelo funcionar hasta que se cale. Con esto se asegura vaciar todo el combustible del carburador.
3. Espere a que el motor se enfríe. Qúitele la bujía y eche 5 gotas de cualquier aceite de motor de 2 tiempos de alta calidad en el cilindro. Tire despacio de la cuerda de arranque para distribuir el aceite. Vuelva a poner la bujía.
4. Limpie bien la unidad y compruebe que no haya piezas sueltas o dañadas. Repare o reemplace las piezas dañadas y apriete los tornillos, tuercas o pernos flojos.

Preparar la unidad para usarla después de un almacenamiento prolongado

1. Saque la bujía y vacíe todo el aceite que está en el cilindro.

NOTA: No use un combustible que haya estado almacenado por más de 30 días. Deseche el aceite viejo, de conformidad con las regulaciones federales, estatales y locales.

ACCESORIO SPEED START™

Esta unidad se puede arrancar con un accesorio opcional Speed Start™ (los accesorios se venden por separado). Para más información, comuníquese con su distribuidor local Craftsman llamando al **1-800-4-MY-HOME®** o visite **www.craftsman.com**.

Número del artículo	Descripción
316.85951	..Arrancador de potencia eléctrico
316.85952	..Arrancador de potencia para taladro
316.85953	..Arrancador Eléctrico Inalámbrico

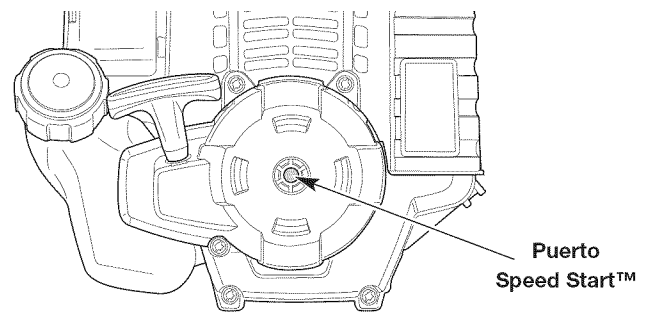


Fig. 19

LOCALIZACIÓN Y SOLUCIÓN DE PROBLEMAS

PROBLEMA	SOLUCIÓN
EL MOTOR NO ARRANCA	
El tanque de combustible está vacío	Llene el tanque de combustible con la mezcla adecuada
La pera del cebador no se oprimió lo suficiente	Oprima la pera del cebador 10 veces o hasta que se vea el combustible
El motor está rebosado	Mueva la palanca del obturador a la Posición 3, apriete el control de la válvula de velocidad y tire de la cuerda de arranque
El combustible está viejo (tiene más de 30 días) y/o mal mezclado	Vacíe el tanque de combustible y eche combustible nuevo bien mezclado
La bujía está corroída	Reemplace la bujía
EL MOTOR NO TRABAJA EN VACÍO	
El filtro de aire está sucio	Limpie o cambie el filtro de aire
El combustible está viejo (tiene más de 30 días) y/o mal mezclado	Vacíe el tanque de combustible y eche combustible nuevo bien mezclado
La marcha en vacío no es la correcta	Ajuste la velocidad de marcha en vacío
EL MOTOR NO ACELERA	
El combustible está viejo (tiene más de 30 días) y/o mal mezclado	Vacíe el tanque de combustible y eche combustible nuevo bien mezclado
El cabezal de corte está atascado de hierba	Apague el motor y limpie el cabezal de corte
El filtro de aire está sucio	Limpie o cambie el filtro de aire
EL MOTOR NO TIENE POTENCIA O SE CALA AL CORTAR	
El combustible está viejo (tiene más de 30 días) y/o mal mezclado	Vacíe el tanque de combustible y eche combustible nuevo bien mezclado
El filtro de aire está sucio	Limpie o cambie el filtro de aire
La bujía está corroída	Reemplace la bujía

¿NECESITA MÁS AYUDA?

Encontrará la respuesta y más información en managemylife.com – ¡gratis!

- Busque en Internet éste y todos los demás manuales de sus productos.
- Pregúntele a nuestro equipo de expertos del hogar.
- Reciba un plan de mantenimiento personalizado para su hogar.
- Busque información y herramientas que lo ayuden en sus proyectos del hogar.



ofrecido por Sears

CONVENIOS DE PROTECCIÓN DE REPARACIÓN

Felicitaciones por haber hecho una compra inteligente. Su nuevo producto Craftsman® fue diseñado y fabricado con vistas a una operación confiable por años. Pero como todos los productos, es posible que sea necesario repararlo alguna vez. Ahí es cuando tener un Convenio de Protección de Reparación puede ahorrarle dinero y problemas.

Esto es lo que incluye el Convenio de Protección de Reparación*:

- Servicio de experto** por nuestros 10,000 profesionales, especialistas en reparaciones
- Servicio ilimitado y sin costo alguno** en piezas y mano de obra para todas las reparaciones cubiertas
- Reemplazo del producto** por otro que cueste hasta \$1500 si el producto cubierto no tiene reparación
- Descuento del 25%** del precio normal por el servicio y las piezas instaladas que no cubra el convenio; así como también el 25% de descuento por el mantenimiento preventivo
- Ayuda rápida por teléfono** – la llamamos Solución Rápida – asistencia técnica por teléfono de un representante de Sears. Considérenos un "manual de usuario que habla".

Una vez que adquiera el Convenio de Protección de Reparación, todo lo que necesita es hacer una simple llamada para programar el servicio. Puede llamar a cualquier hora del día o de la noche o programar el servicio por Internet.

El Convenio de Protección de Reparación es una compra libre de riesgo. Si usted lo cancela por cualquier motivo mientras dure la garantía del producto, le haremos un reembolso completo. Si lo hace en cualquier momento después de vencida la garantía, le haremos un reembolso prorrateado. ¡Adquiera hoy mismo su Convenio de Protección de Reparación!

Se aplican algunas limitaciones y exclusiones. Para precios e información adicional en Estados Unidos, llame al 1-800-827-6655.

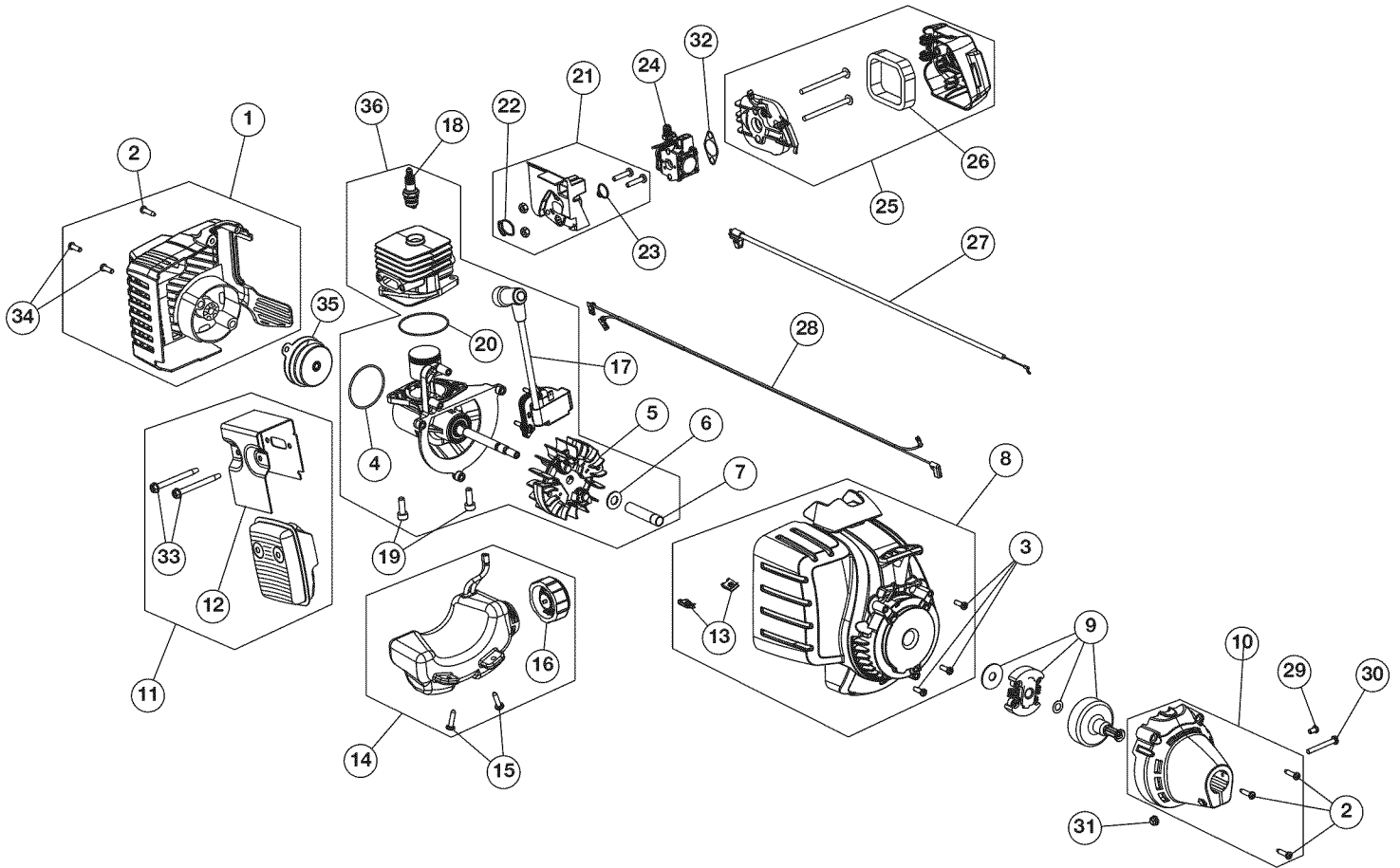
***La cobertura en Canadá varía en algunos artículos. Para todos los detalles, llame a Sears de Canadá al 1-800-361-6665.**

Servicio de Instalación Sears

Para la instalación de electrodomésticos, abrepuestas de garajes, calentadores de agua, y otros productos para el hogar por profesionales de Sears, en Estados Unidos o Canadá, llame al **1-800-4-MY-HOME**.

PARTS LIST

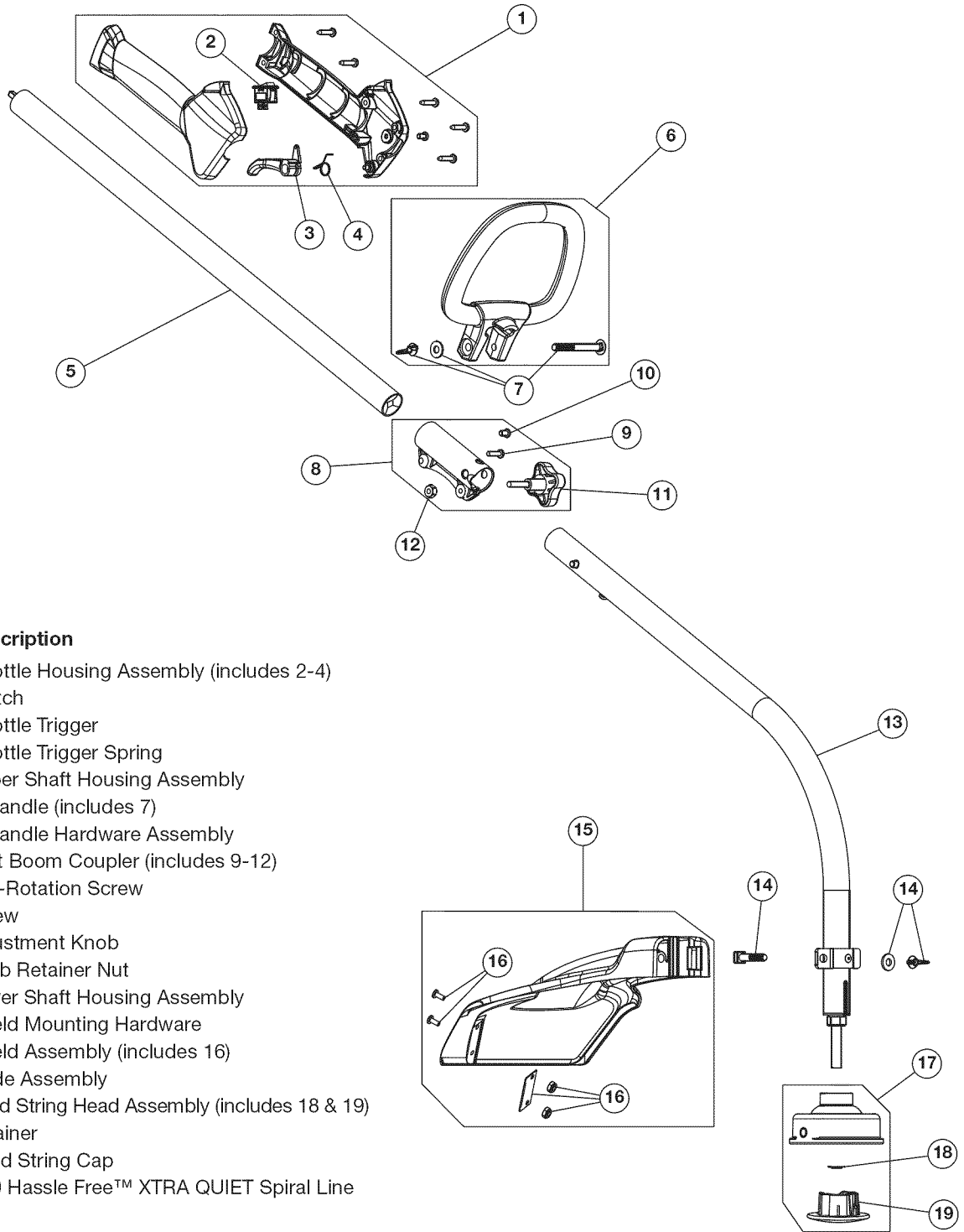
REPLACEMENT PARTS - MODEL 316.711020 ELECTRIC START CAPABLE 2-CYCLE GAS TRIMMER



Item	Part No.	Description	Item	Part No.	Description
1	753-06177	Rear Cover Assembly (includes 2 & 34)	19	791-182723	Crankcase Bolt
2	791-181345	Cover Screw	20	753-06275	Crankcase O-Ring
3	791-181862	Housing Screw	21	753-06189	Insulator Assembly (includes 22 & 23)
4	753-06174	O-Ring	22	753-06184	Insulator O-Ring
5	753-06175	Flywheel Assembly	23	753-06185	Carburetor O-Ring
6	753-06247	Washer	24	753-06190	Carburetor
7	753-06218	Spacer	25	753-06415	Aircleaner Cover Assembly (includes 26)
8	753-06522	Starter Housing (includes 3 & 13)	26	753-06417	Aircleaner Filter
9	753-05860	Clutch Assembly	27	753-06188	Throttle Cable
10	753-06181	Clutch Cover (includes 2)	28	753-06187	Lead Wires
11	753-06418	Muffler Assembly (includes 12 & 33)	29	791-182519	Anti-rotation Screw
12	753-06419	Muffler Gasket	30	753-04003	Clamp Screw
13	791-182366	U-shaped Nut	31	791-180217	Clamp Nut
14	753-06183	Fuel Tank Assembly (includes 15 & 16)	32	753-06253	Air Cleaner Gasket
15	791-181930	Tank Screw	33	753-06294	Muffler Screw
16	791-182612	Fuel Cap	34	791-182195	Rear Housing Screw
17	753-06303	Module Assembly	35	753-06173	Electric Starter Cover Assembly
18	753-06193	Spark Plug	36	753-06523	Short Block Assembly (includes 4-7 & 17-20)

PARTS LIST

REPLACEMENT PARTS - MODEL 316.711020 ELECTRIC START CAPABLE 2-CYCLE GAS TRIMMER



Item	Part No.	Description
1	753-06790	Throttle Housing Assembly (includes 2-4)
2	791-182405	Switch
3	753-04119	Throttle Trigger
4	791-182690	Throttle Trigger Spring
5	753-04344	Upper Shaft Housing Assembly
6	753-05461	D-Handle (includes 7)
7	791-181587	D-Handle Hardware Assembly
8	753-1190	Split Boom Coupler (includes 9-12)
9	791-182057	Anti-Rotation Screw
10	791-181617	Screw
11	791-181981	Adjustment Knob
12	753-04386	Knob Retainer Nut
13	753-06800	Lower Shaft Housing Assembly
14	753-04282	Shield Mounting Hardware
15	753-04283	Shield Assembly (includes 16)
16	791-180553	Blade Assembly
17	753-06764	Fixed String Head Assembly (includes 18 & 19)
18	791-610661	Retainer
19	753-06765	Fixed String Cap
*	753-06767	.110 Hassle Free™ XTRA QUIET Spiral Line

* Items Not Shown

Get it fixed, at your home or ours!

Your Home

For troubleshooting, product manuals and expert advice:



www.managemylife.com

For repair – **in your home** – of **all** major brand appliances, lawn and garden equipment, or heating and cooling systems, **no matter who made it, no matter who sold it!**

For the replacement parts, accessories and owner's manuals that you need to do-it-yourself.

For Sears professional installation of home appliances and items like garage door openers and water heaters.

1-800-4-MY-HOME[®] (1-800-469-4663)

Call anytime, day or night (U.S.A. and Canada)

www.sears.com

www.sears.ca

Our Home

For repair of carry-in items like vacuums, lawn equipment, and electronics, call anytime for the location of your nearest

Sears Parts & Repair Service Center

1-800-488-1222 (U.S.A.)

1-800-469-4663 (Canada)

www.sears.com

www.sears.ca

To purchase a protection agreement on a product serviced by Sears:

1-800-827-6655 (U.S.A.)

1-800-361-6665 (Canada)

Para pedir servicio de reparación a domicilio, y para ordenar piezas:

1-888-SU-HOGAR[®]

(1-888-784-6427)

www.sears.com

Au Canada pour service en français:

1-800-LE-FOYER^{MC}

(1-800-533-6937)

www.sears.ca

The Sears logo, consisting of the word "sears" in a lowercase, sans-serif font.

Free Manuals Download Website

<http://myh66.com>

<http://usermanuals.us>

<http://www.somanuals.com>

<http://www.4manuals.cc>

<http://www.manual-lib.com>

<http://www.404manual.com>

<http://www.luxmanual.com>

<http://aubethermostatmanual.com>

Golf course search by state

<http://golfingnear.com>

Email search by domain

<http://emailbydomain.com>

Auto manuals search

<http://auto.somanuals.com>

TV manuals search

<http://tv.somanuals.com>