

Operator's Manual

CRAFTSMAN®

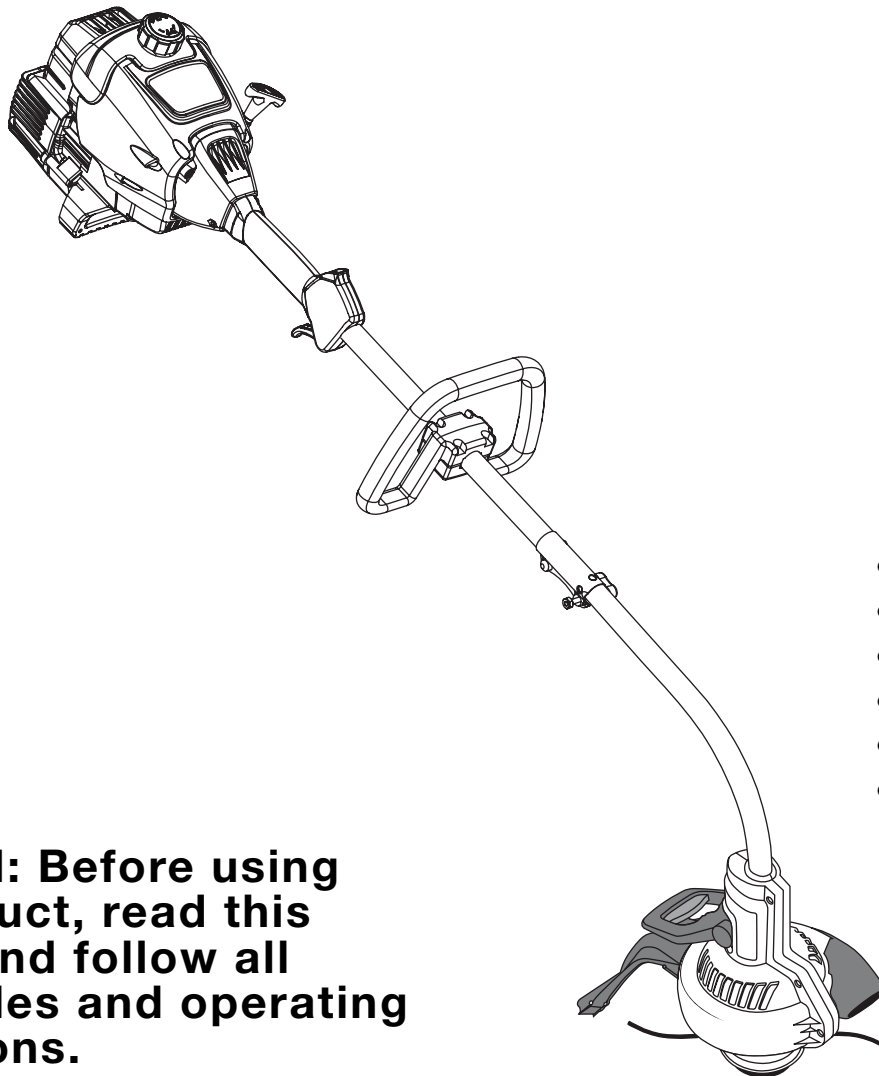
2-Cycle

2-in-1 PLUS TRIMMER / BLOWER GAS WEEDWACKER®

Model No. 316.791920

INCREDI-PULL™
UNBELIEVABLE STARTING EASE™

with **MAXFIRE** IGNITION™



- SAFETY
- ASSEMBLY
- OPERATION
- MAINTENANCE
- PARTS LIST
- ESPAÑOL, P. 15

CAUTION: Before using this product, read this manual and follow all safety rules and operating instructions.

Sears, Roebuck and Co., Hoffman Estates, IL 60179, U.S.A.
Visit our website: www.sears.com/craftsman

RULES FOR SAFE OPERATION

CALIFORNIA PROPOSITION 65 WARNING




	WARNING	
THE ENGINE EXHAUST FROM THIS PRODUCT CONTAINS CHEMICALS KNOWN TO THE STATE OF CALIFORNIA TO CAUSE CANCER, BIRTH DEFECTS OR OTHER REPRODUCTIVE HARM.		

TABLE OF CONTENTS

Safety Rules	2
Warranty	4
CARB / EPA Warranty Information	4
Assembly Instructions	5
Oil and Fuel Information	6
Starting/Stopping Instructions	6
Operating Instructions	7
Maintenance and Repair Instructions	9
Cleaning and Storage	10
Troubleshooting Chart	11
Specifications	11
Repair Protection Agreement	12
Parts List	27
Service Numbers	Back Cover

SPARK ARRESTOR NOTE

NOTE: For users on U.S. Forest Land and in the states of California, Maine, Oregon and Washington. All U.S. Forest Land and the state of California (Public Resources Codes 4442 and 4443), Oregon and Washington require, by law that certain internal combustion engines operated on forest brush and/or grass-covered areas be equipped with a spark arrestor, maintained in effective working order, or the engine be constructed, equipped and maintained for the prevention of fire. Check with your state or local authorities for regulations pertaining to these requirements. Failure to follow these requirements could subject you to liability or a fine. **This unit is factory equipped with a spark arrestor.** If it requires replacement, ask a Sears or other qualified service dealer to install the **Accessory Part #753-05169 Spark Arrestor Kit.**

	WARNING: When using the unit, you must follow the safety rules. Please read these instructions before operating the unit in order to ensure the safety of the operator and any bystanders. Please keep these instructions for later use.
---	---


All information, illustrations, and specifications in this manual are based on the latest product information available at the time of printing. We reserve the right to make changes at any time without notice.

• IMPORTANT SAFETY INSTRUCTIONS •

READ ALL INSTRUCTIONS BEFORE OPERATING

- Read the instructions carefully. Be familiar with the controls and proper use of the unit.
- Do not operate this unit when tired, ill or under the influence of alcohol, drugs or medication.
- Children must not operate the unit. Teens must be accompanied and guided by an adult.
- Inspect the unit before use. Replace damaged parts. Check for fuel leaks. Make sure all fasteners are in place and secure. Replace cutting attachment parts that are cracked, chipped or damaged in any way.
- Use only Hassle Free IV™ XTRA QUIET Spiral Line. Never use metal-reinforced line, wire, chain or rope. These can break off and become dangerous projectiles.
- Be aware of risk of injury to the head, hands and feet.
- Clear the area to be cut before each use. Remove rocks, broken glass, nails, wire, string and other objects which may be thrown or become entangled in the cutting attachment. Clear the area of children, bystanders and pets; keep them outside a 50-foot (15 m) radius, at a minimum. Even then, they are still at risk from thrown objects. Encourage bystanders to wear eye protection. If you are approached, stop the unit immediately.
- Squeeze the throttle control and check that it returns automatically to the idle position. Make all adjustments or repairs before using the unit.

FUEL SAFETY WARNINGS

	WARNING: Gasoline is highly flammable and its vapors can explode if ignited. Take the following precautions:
---	---

- Store fuel only in containers specifically designed and approved for the storage of such materials.
- Always stop the engine and allow it to cool before filling the fuel tank. Never remove the fuel tank cap or add fuel when the engine is hot. Never operate the unit without the fuel cap

securely in place.

- Loosen the fuel tank cap slowly to relieve any pressure in the tank.
- Mix and add fuel in a clean, well-ventilated outdoor area where there are no sparks or flames. Remove the fuel cap slowly, and only after the engine stops. Do not smoke while fueling or mixing fuel. Wipe up any spilled fuel from the unit immediately.
- Avoid creating a source of ignition for spilled fuel. Do not start the engine until fuel vapors dissipate.
- Move the unit at least 30 feet (9.1 m) from the fueling source and site before starting the engine. Do not smoke. Keep sparks and open flames away from the area while adding fuel or operating the unit.

WHILE OPERATING

- Never start or run the unit inside a closed room or building. Breathing exhaust fumes can be fatal. Operate this unit only in a well-ventilated outdoor area.
- Wear safety glasses or goggles that meet ANSI Z87.1 standards and are marked as such. Wear ear/hearing protection when operating this unit. Wear a face or dust mask if the operation is dusty.
- Wear heavy long pants, boots, gloves and a long sleeve shirt. Do not wear loose clothing, jewelry, short pants, sandals or go barefoot. Secure hair above shoulder level.
- The cutting attachment shield must always be in place while operating the unit. Do not operate unit without both trimming lines extended, and the proper line installed. Do not extend the trimming line beyond the length of the shield.
- This unit has a clutch. The cutting attachment remains stationary when the engine is idling. If it does not, take the unit to a Sears or other qualified service dealer for an adjustment.
- Adjust the D-handle to your size in order to provide the best grip.
- Be sure the cutting attachment is not in contact with anything before starting the unit.

RULES FOR SAFE OPERATION

- Use the unit only in daylight or good artificial light.
- Avoid accidental starting. Be in the starting position whenever pulling the starter rope. The operator and unit must be in a stable position while starting. Refer to *Starting/Stopping Instructions* (p. 6).
- Use the right tool. Only use this tool for its intended purpose.
- Always hold the unit with both hands when operating. Keep a firm grip on both handles or grips.
- Keep hands, face, and feet away from all moving parts. Do not touch or try to stop the cutting attachment when it rotates.
- Do not touch the engine, gear housing or muffler. These parts get extremely hot from operation, even after the unit is turned off.
- Do not operate the engine faster than the speed needed to cut or trim. Do not run the engine at high speed when not cutting.
- Always stop the engine when cutting is delayed or when walking from one cutting location to another.
- If you strike or become entangled with a foreign object, stop the engine immediately and check for damage. Do not operate before repairing damage. Do not operate the unit with loose or damaged parts.
- Turn the engine to off and disconnect the spark plug for maintenance or repair.
- Use only replacement parts or accessories recommended for

- this tool that are sold by Sears or a Craftsman outlet. Use of any replacement parts or accessories purchased elsewhere may be hazardous, and will also void your warranty.
- Keep unit clean of vegetation and other materials. They may become lodged between the cutting attachment and shield.
 - To reduce fire hazard, replace a faulty muffler and spark arrestor. Keep the engine and muffler free from grass, leaves, excessive grease or carbon build up.






OTHER SAFETY WARNINGS

- Never store the unit with fuel in the tank, inside a building where fumes may reach an open flame (pilot lights, etc.) or sparks (switches, electrical motors, etc.).
- Allow the engine to cool before storing or transporting. Be sure to secure the unit while transporting.
- Store the unit in a dry place, secured or at a height to prevent unauthorized use or damage. Keep out of the reach of children.
- Never douse or squirt the unit with water or any other liquid. Keep handles dry, clean and free from debris. Clean after each use, see *Cleaning and Storage* instructions (p. 10).
- Keep these instructions. Refer to them often and use them to instruct other users. If you loan this unit to others, also loan them these instructions.

SAVE THESE INSTRUCTIONS

• SAFETY & INTERNATIONAL SYMBOLS •

This operator's manual describes safety and international symbols and pictographs that may appear on this product. Read the operator's manual for complete safety, assembly, operating and maintenance and repair information.

SYMBOL	MEANING
	<ul style="list-style-type: none"> • SAFETY ALERT SYMBOL Indicates danger, warning or caution. May be used in conjunction with other symbols or pictographs.
	<ul style="list-style-type: none"> • WARNING - READ OPERATOR'S MANUAL Read the operator's manual(s) and follow all warnings and safety instructions. Failure to do so can result in serious injury to the operator and/or bystanders.
	<ul style="list-style-type: none"> • WEAR EYE AND HEARING PROTECTION WARNING: Thrown objects and loud noise can cause severe eye injury and hearing loss. Wear eye protection meeting ANSI Z87.1 standards and ear protection when operating this unit. Use a full face shield when needed.
	<ul style="list-style-type: none"> • UNLEADED FUEL Always use clean, fresh unleaded fuel
	<ul style="list-style-type: none"> • OIL Refer to operator's manual for the proper type of oil.
	<ul style="list-style-type: none"> • BLOWERS WARNING: Rotating impeller blades can cause severe injury. Stop the engine and allow the impeller to stop before cleaning or performing any maintenance.

SYMBOL	MEANING
	<ul style="list-style-type: none"> • ON/OFF STOP CONTROL ON / START / RUN
	<ul style="list-style-type: none"> • ON/OFF STOP CONTROL OFF or STOP
	<ul style="list-style-type: none"> • HOT SURFACE WARNING Do not touch a hot muffler, gear housing or cylinder. You may get burned. These parts get extremely hot from operation. They remain hot for a short time after the unit is turned off.
	<ul style="list-style-type: none"> • THROWN OBJECTS AND ROTATING CUTTER CAN CAUSE SEVERE INJURY WARNING: Do not operate without the cutting attachment shield in place. Keep away from the rotating cutting attachment.
	<ul style="list-style-type: none"> • KEEP BYSTANDERS AWAY WARNING: Keep all bystanders, especially children and pets, at least 50 feet (15 m) from the operating area.
	<ul style="list-style-type: none"> • SHARP BLADE WARNING: Sharp blade on cutting attachment shield. To prevent serious injury, do not touch the line cutting blade.

WARRANTY STATEMENT

TWO YEAR FULL WARRANTY ON CRAFTSMAN GAS TRIMMER

When used and maintained according to the operator's manual, if this gas trimmer fails due to a defect in material or workmanship within two years from the date of purchase, return it to any Sears store, other Craftsman outlet, or Sears Parts & Repair Center for free repair (or replacement if repair proves impossible). This warranty excludes cutting line, spark plug and air filter, which are expendable parts that can wear out from normal use in less than two years. This warranty applies for only 30 days from the date of purchase if this gas trimmer is used for commercial or rental purposes. This warranty gives you specific legal rights, and you may also have other rights which vary from state to state.

Sears, Roebuck and Co., Hoffman Estates, IL 60179

California / EPA Emission Control Warranty Statement

Your Warranty Rights and Obligations

The California Air Resources Board, The Environmental Protection Agency, and Sears, Roebuck and Co., are pleased to explain the emission control system warranty on your 2005 and later small off-road engine. New small off-road engines must be designed, built and equipped to meet stringent anti-smog standards. Sears, Roebuck and Co. must warrant the emission control system on your small off-road engine for the periods of time listed below provided there has been no abuse, neglect or improper maintenance of your small off-road engine.

Your Emission control system may include parts such as the carburetor or fuel-injection system, the ignition system, and catalytic converter. Also included may be hoses, belts, connectors and other emission-related assemblies.

Where a warrantable condition exists, Sears will repair your small off-road engine at no cost to you including diagnosis, parts and labor.

The 2005 and later small off-road engines are warranted for two years. If any emission-related part on your engine is defective, the part will be repaired or replaced by Sears.

Owner's Warranty Responsibilities

- As the small off-road engine owner, you are responsible for the performance of the required maintenance listed in your operator's manual. Sears recommends that you retain all receipts covering maintenance on your small off-road engine, but Sears cannot deny warranty solely for the lack of receipts or for your failure to ensure the performance of all scheduled maintenance.
- As the small off-road engine owner, you should however be aware that Sears may deny you warranty coverage if your small off-road engine or a part has failed due to abuse, neglect, improper maintenance or unapproved modifications.
- You are responsible for presenting your small off-road engine to a Sears authorized service center as soon as problem exists. The warranty repairs should be completed in a reasonable amount of time, not to exceed 30 days.

If you have any questions regarding your warranty rights and responsibilities, you should call **1-800-4-MY-HOME®**.

Manufacturer's Warranty Coverage

- The warranty period begins on the date the engine or equipment is delivered to the retail purchaser.
- The manufacturer warrants to the initial owner and each subsequent purchaser, that the engine is free from defects in material and workmanship which cause the failure of a warranted part for a period of two years.
- Repair and replacement of warranted part will be performed at no charge to the owner at an authorized Sears service center. For the nearest location please contact Sears at: **1-800-4-MY-HOME®**.
- Any warranted part which is not scheduled for replacement, as required maintenance or which is scheduled only for regular inspection to the effect of "Repair or Replace as Necessary" is warranted for the period. Any warranted part which is scheduled for replacement as required maintenance will be warranted for the period of time up to the first scheduled replacement point for that part.
- The owner will not be charged for diagnostic labor which leads to the determination that a warranted part is defective if the diagnostic work is performed at an authorized Sears Service Center.
- The manufacturer is liable for damages to other engine components caused by the failure of a warranted part still under warranty.
- Failures caused by abuse, neglect or improper maintenance are not covered under warranty.
- The use of add-on or modified parts can be grounds for disallowing a warranty claim. The manufacturer is not liable to cover failures of warranted parts caused by the use of add-on or modified parts.
- In order to file a claim, go to your nearest authorized Sears Service Center. Warranty service or repairs will be provided at all authorized Sears Service Centers.
- Any manufacturer approved replacement part may be used in the performance of any warranty maintenance or repair of emission related parts and will be provided without charge to the owner. Any replacement part that is equivalent in performance or durability may be used in non-warranty maintenance or repair and will not reduce the warranty obligations of the manufacturer.
- The following components are included in the emission related warranty: engine, air filter, carburetor, primer, fuel lines, fuel pick up/fuel filter, ignition module, spark plug and muffler.

ASSEMBLY INSTRUCTIONS

INSTALL AND ADJUST THE D-HANDLE

Install

1. Place the D-handle down on to the shaft housing and the bottom clamp so that the handle slants towards the shaft grip (Fig. 1). Place handle and clamp a minimum of 6 inches from the end of the shaft grip.

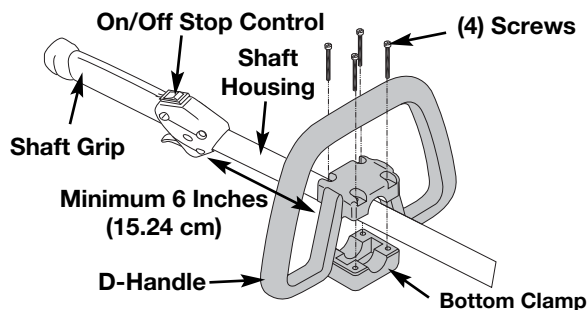


Fig. 1

2. Start screws with a flat-head or T-25 Torx screwdriver. Do not tighten until handle is adjusted.

Adjust

3. While holding the unit in the operating position (Fig. 2), position the D-handle to the location that provides you the best grip.
4. Tighten the clamp screws evenly until the D-handle is secure.

INSTALL TRIMMER / BLOWER ATTACHMENT

NOTE: To make installation easier, place the unit on the ground or on a workbench.

1. Turn knob counterclockwise to loosen coupler (Fig. 14, p. 8).
2. While firmly holding trimmer attachment, push it straight into the coupler until the release button snaps into the primary hole (Fig. 15, p. 8).

NOTE: Aligning the release button with the guide recess will help installation (Fig. 15, p. 8).

3. Turn the knob clockwise to tighten.

APPLICATIONS

Use the trimmer to cut grass and light weeds, and decorative trimming around trees, fences, etc.

Use the blower to clean around buildings, walls, and fences (Figs. 7 & 8), and also around trees, shrubs, and flower beds (Fig. 9).

INSTALLING CUTTING ATTACHMENT SHIELD

1. Place the narrow end of the cutting attachment shield over the shield bracket at the back of the attachment body and position it so that the circular cut-out slips over the guard assembly peg (Fig. 2).
2. Place the locking nut into the hexagonal hole on the left side of the guard and hold in place.
3. Insert the assembly screw into the hole on the right side of the guard and screw it into the nut on the left side using a Phillips-head screwdriver.
4. Make sure the screw is tight before operating the unit.

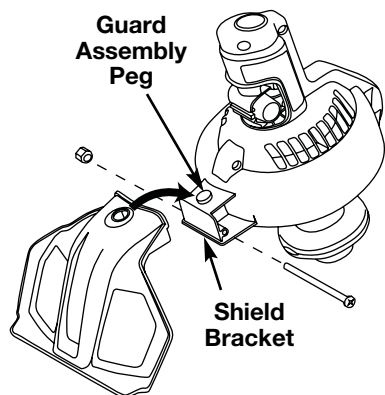
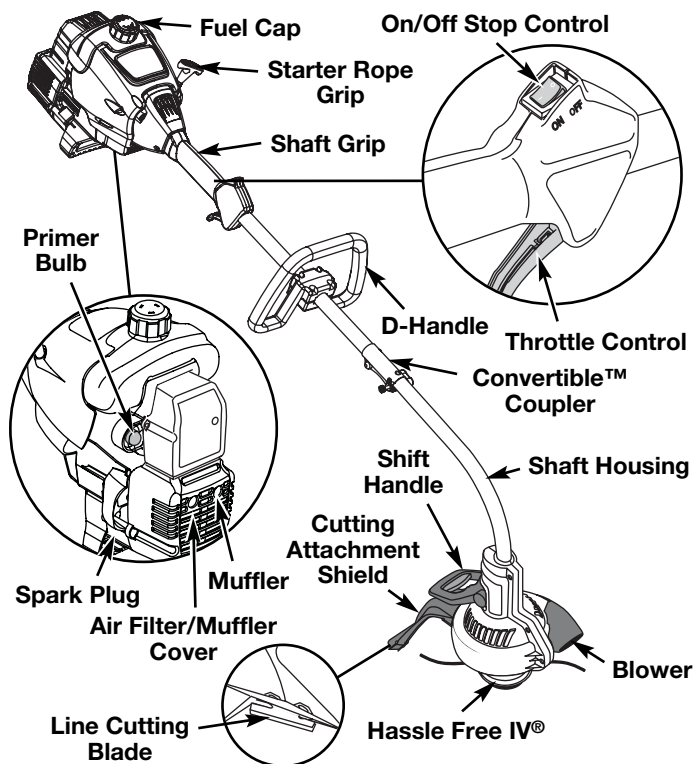


Fig. 2

KNOW YOUR TRIMMER



SELECTING THE TRIMMER OR BLOWER

To switch between the trimmer and blower functions of this unit, make sure that the unit is turned off and the engine has stopped running.



WARNING: To avoid serious personal injury or damage to the unit, DO NOT attempt to shift between the trimmer and the blower while the unit is operating.

To Use the Trimmer

To use the trimmer, make sure the shift handle is in the DOWN position before starting the unit.

1. If the shift handle is in the UP position, grasp the red shift latch (Fig. 3) on the shift handle and squeeze until the internal locking mechanism releases.
2. Push the shift handle DOWN until the red shift latch locks into place. **DO NOT FORCE.**
3. Start the unit following the *Starting Instructions* (p. 6) and the unit is ready for use.

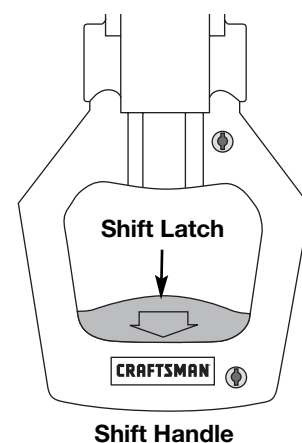


Fig. 3

To Use the Blower

To use the blower, make sure the shift handle is in the UP position before starting the unit.

1. If the shift handle is in the DOWN position, grasp the red shift latch (Fig. 3) on the shift handle and squeeze until the internal locking mechanism releases.
2. Pull the shift handle UP until the red shift latch locks into place. **DO NOT FORCE.**
3. Start the unit following the *Starting Instructions* (p. 6) and the unit is ready for use.

OIL & FUEL INFORMATION

CAUTION: For proper engine operation and maximum reliability, pay strict attention to the oil and fuel mixing instructions on the 2-cycle oil container. Using improperly mixed fuel can severely damage the engine.

WARNING: Remove fuel cap slowly to avoid injury from fuel spray. Never operate the unit without the fuel cap securely in place.

WARNING: Add fuel in a clean, well ventilated outdoor area. Wipe up any spilled fuel immediately. Avoid creating a source of ignition for spilt fuel. Do not start the engine until fuel vapors dissipate.

WARNING: Gasoline is extremely flammable. Ignited vapors may explode. Always stop the engine and allow it to cool before filling the fuel tank. Do not smoke while filling the tank. Keep sparks and open flames at a distance from the area.

To Obtain Correct Fuel Mix:

Thoroughly mix the proper ratio of 2-cycle engine oil with unleaded gasoline in a separate fuel can. Use a 40:1 fuel/oil ratio (One gallon (3.8 liters) of unleaded gasoline mixed with one 3.2 oz. (95 ml.) bottle of 2-cycle oil makes a 40:1 fuel/oil ratio). Do not mix them directly in the engine fuel tank. See the Fuel Mixture Table for specific gas and oil mixing ratios.

OIL AND FUEL MIXING INSTRUCTIONS

Old and/or improperly mixed fuel are the main reasons for the unit not running properly. Be sure to use fresh (less than 60 days old), clean unleaded fuel. Follow the instructions carefully for the proper fuel/oil mixture.

Definition of Blended Fuels

Today's fuels are often a blend of gasoline and oxygenates such as ethanol, methanol, or MTBE (ether). Alcohol-blended fuel absorbs water. As little as 1% water in the fuel can make

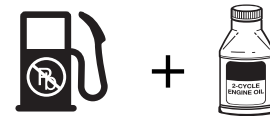
fuel and oil separate and leads to formation of acids during storage. When using alcohol-blended fuel, use fresh fuel.

Using Blended Fuels

If you choose to use a blended fuel, or its use is unavoidable, follow recommended precautions:

- Always use the fresh fuel mix explained in the operator's manual
- Always shake the fuel mix before fueling the unit
- Drain the tank and run the engine dry before storing the unit

NOTE: Dispose of the old fuel/oil mix in accordance to Federal, State and Local regulations.



UNLEADED GAS + 2-CYCLE OIL

UNLEADED GAS	2 CYCLE OIL
1 GALLON US (3.8 LITERS)	3.2 FL. OZ. (95 ml)
1 LITER	25 ml

MIXING RATIO - 40:1

STARTING/STOPPING INSTRUCTIONS

WARNING: Operate this unit only in a well-ventilated outdoor area. Carbon monoxide exhaust fumes can be lethal in a confined area.

WARNING: Avoid accidental starting. Make sure you are in the starting position when pulling the starter rope (Fig. 6). To avoid serious injury, the operator and unit must be in a stable position while starting.

STARTING INSTRUCTIONS

1. Mix gas with oil.
2. Fill the fuel tank with the fuel/oil mixture. See *Oil and Fuel Mixing Instructions* above.

NOTE: There is no need to turn the unit on. The On/Off Stop Control (Fig. 4) is in the ON (I) position at all times.

3. Fully press and release the primer bulb 10 times, slowly. Some amount of fuel should be visible in the primer bulb and fuel lines (Fig. 5). If you can't see fuel in the bulb, press and release the bulb as many times as it takes until you can see fuel in it.
4. Crouch in the starting position (Fig. 6), **do not squeeze the throttle**, and pull the starter rope with a controlled and steady motion until the unit starts. Wait 10 to 15 seconds, then squeeze the throttle to control the cutting or blowing speed.

IF... the engine does not start, go back to **step 3**.

NOTE: This unit uses the **Incredi-Pull™** starting system with **MAX FIRE IGNITION™**, which significantly reduces the effort required to start the engine. You must pull the starter rope out far enough to hear the engine attempt to start. There is no need to pull the rope briskly-- there is no harsh resistance when pulling. Be aware that this starting method is vastly different from (and much easier than) what you may be used to.

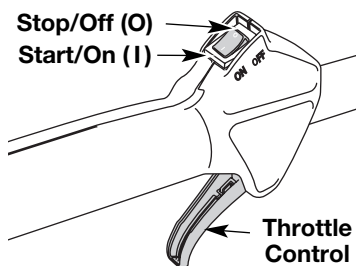


Fig. 4

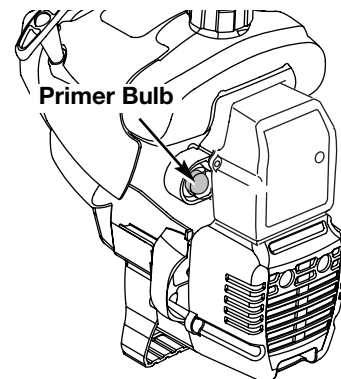


Fig. 5

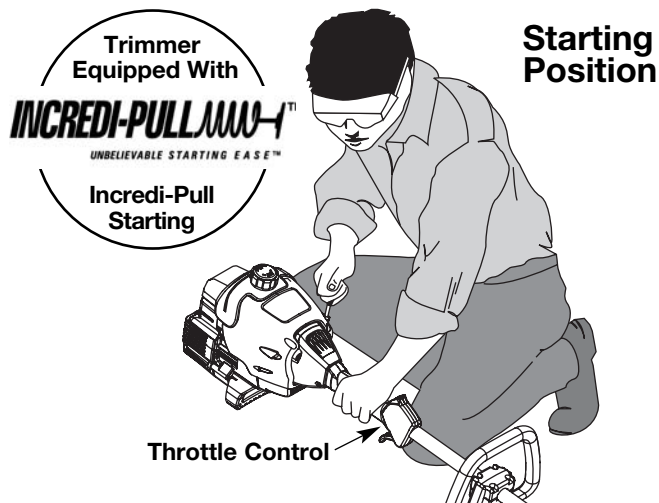


Fig. 6

STOPPING INSTRUCTIONS

1. Release your hand from the throttle control. Allow the engine to cool down by idling.

2. Press and hold On/Off Stop Control in the OFF (O) position until engine comes to a complete stop (Fig. 4)

OPERATING INSTRUCTIONS

HOLDING THE UNIT



WARNING: Always wear eye, hearing, foot and body protection to reduce the risk of injury when operating this unit.

Before operating the unit, stand in the operating position (Figs. 7–9). Check for the following:

- The operator is wearing eye protection and proper clothing.
- The right arm is slightly bent, and the hand is holding the shaft grip.
- The left arm is straight, and the hand is holding the D-handle.
- The unit is at waist level.
- The trimmer/blower attachment is parallel to the ground and is positioned so debris is blown away from operator.



WARNING: To prevent serious injury to yourself or others, or possible damage to property, never point the blower in the direction of people or pets, or in the direction of windows. Always direct the blowing debris away from people, animals, and windows. Use extra caution when blowing debris near solid objects such as trees, automobiles, walls, etc.

OPERATING TIPS WHEN USING TRIMMER/BLOWER ATTACHMENT

- To reduce the risk of hearing loss associated with sound level(s), the use of hearing protection is required.
- Operate power equipment only at reasonable hours – not early in the morning or late at night when people might be disturbed. Comply with time listed in local ordinance. Usual recommendations are 9:00 am to 5:00 pm, Monday through Saturday.
- To reduce noise levels, limit the number of pieces of equipment used at any one time.
- To reduce noise levels, operate power blowers at the lowest possible speed to do the job.
- Use rakes and brooms to loosen debris before blowing.
- In dusty conditions, slightly dampen surfaces or use a mister attachment when water is available.
- Conserve water by using power blowers instead of hoses for many lawn and garden applications, including areas such as gutters, screens, patios, grills, porches, and gardens.
- Watch out for children, pets, open windows, or freshly washed cars, and blow debris away.
- After using blowers and other equipment, CLEAN UP! Dispose of debris in trash receptacles.

LINE REPLACEMENT

for Hassle-Free IV™ Cutting Head

Always use Craftsman Hassle-Free IV™ XTRA QUIET Spiral Line.

NOTE: Before inserting new line into the holes in the cutting head, identify the proper holes. Follow directions as shown on the line glide plate. **DO NOT** attempt to remove the cutting head from the unit when replacing line.



Fig. 7



Fig. 8



Fig. 9

OPERATING INSTRUCTIONS



WARNING: Do not remove or alter the line cutting blade assembly. Excessive line length will make the clutch overheat. This may lead to serious personal injury or damage to the unit.

1. Remove the old line and line glide plate from the cutting head.
2. Clean entire surface of cutting head. Note positions "A" and "B" on the cutting head.
3. Reinstall line glide plate (Fig. 10). Align arrow with "A" on the cutting head.

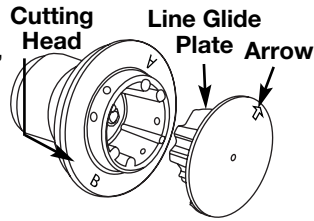


Fig. 10

NOTE: Line glide plate must be reinstalled in cutting head before inserting new line.

4. Insert both ends of your line through the proper holes in the side of the cutting head (Fig. 11).
5. Pull the line and make sure the line is against the hub and is fully extended through the positioning tunnels (Fig. 12).

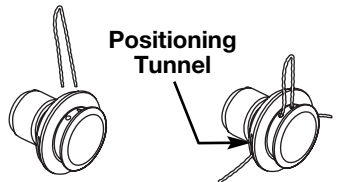


Fig. 11

6. Correctly installed line will be the same length on both sides.

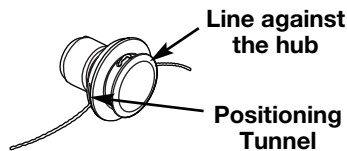


Fig. 12

NOTE: Do not rest the Hassle-Free IV™ Cutting Head on the ground while the unit is running.

Some line breakage will occur from:

- Entanglement with foreign matter
- Normal line fatigue
- Attempting to cut thick, stalky weeds
- Forcing the line into objects such as walls or fence posts

TIPS FOR BEST TRIMMING RESULTS

- Keep the cutting attachment parallel to the ground.
- Cut from left to right whenever possible. Cutting to the right improves the unit's cutting efficiency. Clippings are thrown away from the operator.
- Trim only when grass and weeds are dry.
- The life of your cutting line is dependent upon:
 - Following the trimming tips
 - What vegetation is being cut
 - Where vegetation is being cut

DECORATIVE TRIMMING

Decorative trimming is accomplished by removing all vegetation around trees, posts, fences and more. Rotate the whole unit so that the cutting attachment is at a 30° angle to the ground (Fig. 13).

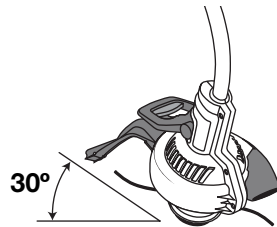


Fig. 13



WARNING: Before you begin using any attachment, read and understand the manual that came with the attachment. Follow all safety information contained within.



WARNING: To avoid serious personal injury and damage to the unit, shut the unit off before removing or installing attachments.

Craftsman Convertible™ Feature

The coupler allows you to convert this unit for use with the following add-on attachments:

- Cultivator
- Blade Edger
- Brush Cutter
- Pruner

To Install Attachments

NOTE: To make installation easier, place the unit on the ground or on a workbench.

1. Make sure the unit is turned completely off.
2. Turn the knob counterclockwise to loosen the coupler (Fig. 14).
3. While firmly holding the attachment, push it straight into the coupler until the release button (Fig. 15) snaps into the primary hole (Fig. 15). The primary hole is on the opposite side of the coupler from the knob (Fig. 15). Align the release button with the Guide Recess (Fig. 15) to help installation.
4. Turn the knob clockwise to tighten (Fig. 16).

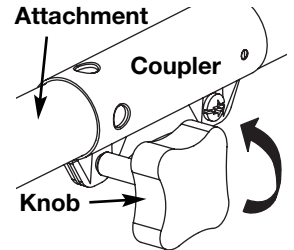


Fig. 14

Craftsman Convertible™

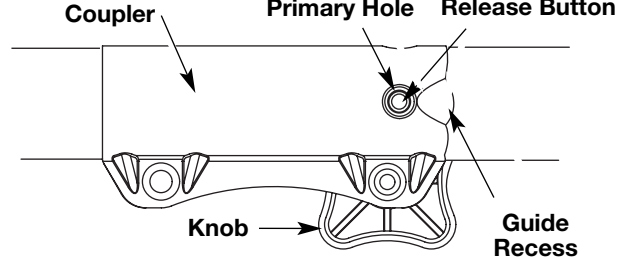


Fig. 15



CAUTION: Lock the release button in the primary hole (Fig. 15) and securely tighten the knob before operating this unit.

To Remove Attachments

1. Make sure the unit is turned completely off.
2. Turn the knob counterclockwise to loosen the coupler (Fig. 14).
3. Press and hold the release button (Fig. 15).
4. While firmly holding the upper shaft boom (Fig. 16), pull the attachment out of the coupler.

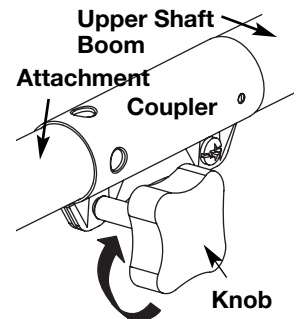


Fig. 16



CAUTION: These attachments are to be snapped into the primary hole only. Using the wrong hole could lead to personal injury or damage to the unit.



CAUTION: Before operating this unit, be sure that the release button is fully snapped into the primary hole (Fig. 15), and that the knob (Fig. 16) is securely tightened.

MAINTENANCE SCHEDULE



WARNING: To prevent serious injury, never perform maintenance or repairs with unit running. Always service and repair a cool unit. Disconnect the spark plug wire to ensure that the unit cannot start.

Perform these required maintenance procedures at the frequency stated in the table. These procedures should also be a part of any seasonal tune-up.

NOTE: Maintenance, replacement, or repair of the emission control devices and system may be performed by a Sears or other qualified service dealer. Call **1-800-4-MY-HOME®** for more information.

In order to assure peak performance of your engine, inspection of the engine exhaust port may be necessary after 50 hours of operation. If you notice lost RPM, poor performance or general lack of acceleration, this service may be required. If you feel your engine is in need of this inspection, refer service to a Sears or other qualified service dealer. Call **1-800-4-MY-HOME®** for more information. **DO NOT** attempt to perform this process yourself as engine damage may result from contaminants involved in the cleaning process for the port.

FREQUENCY	MAINTENANCE REQUIRED	SEE
Before starting engine	Fill fuel tank with fresh fuel	p. 6
Every 10 hours	Clean and re-oil air filter	p. 9
Every 25 hours	Check and clean spark arrestor Check spark plug condition and gap	p. 9 p. 10
Every 50 hours	Inspect exhaust port and spark arrestor screen for clogging or obstruction	p. 9

AIR FILTER MAINTENANCE



WARNING: To avoid serious personal injury, always turn your unit off and allow it to cool before you clean or service it.

Removing the Air Filter/Muffler Cover

1. Remove the four (4) screws securing the air filter/muffler cover (Fig. 17). Use a flat blade or T20 Torx bit screwdriver.
2. Pull the cover from the engine. Do not force.

Cleaning the Air Filter

Failure to maintain your air filter properly can result in poor performance or can cause permanent damage to your engine.

1. Remove air filter/muffler cover. Refer to *Removing the Air Filter/Muffler Cover* above.
2. Turn cover over and look inside to locate the air filter. Remove the air filter from inside the air filter/muffler cover (Fig. 18).

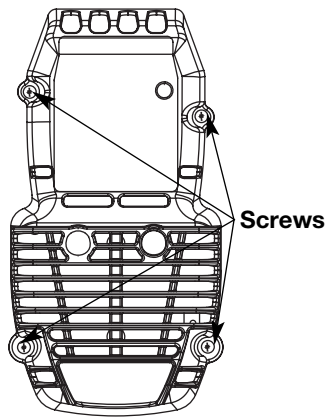


Fig. 17

3. Wash the filter in detergent and water (Fig. 19). Rinse the filter thoroughly. Squeeze out excess water. Allow it to dry completely.
4. Apply enough clean SAE 30 oil to lightly coat the filter (Fig. 20).
5. Squeeze the filter to spread and remove excess oil (Fig. 21).
6. Replace the air filter inside the air filter/muffler cover (Fig. 18).

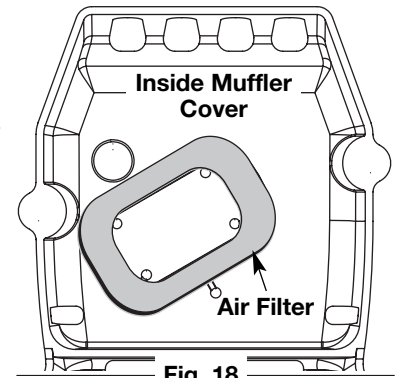


Fig. 18

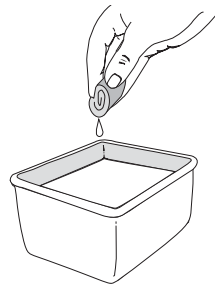


Fig. 19

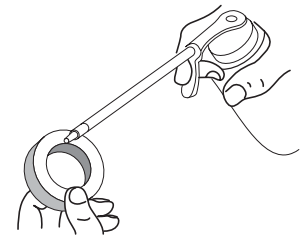


Fig. 20

Reinstalling the Air Filter/Muffler Cover

1. Place the air filter/muffler cover over the back of the carburetor and muffler. Align the screw holes.
2. Insert the four (4) screws into the holes in the air filter/muffler cover (Fig. 17) and tighten. **Do not over tighten.**

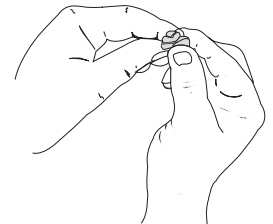


Fig. 21

SPARK ARRESTOR MAINTENANCE

NOTE: Pay close attention when disassembling the muffler so you can put it back together correctly. Failure to do so will damage the unit and may cause serious personal injury.

1. Remove air filter/muffler cover. Refer to *Removing the Air Filter/Muffler Cover* (p. 9).
2. Locate the muffler, **but do not remove it**. Find the screw on the bottom of the muffler (Fig. 22). This screw holds the Spark Arrestor Hood Assembly and the spark arrestor screen to the bottom of the muffler. Remove this screw using either a Torx T20 or flat blade screwdriver.
3. Using a small flat blade screwdriver, carefully pry up the spark arrestor screen from the recessed hole, taking care to notice that the "raised" part of the spark arrestor screen is inside the recessed hole. Remove the spark arrestor screen from the muffler.

4. Clean the spark arrestor screen with a wire brush. Replace it if it is damaged, or if you are unable to clean it thoroughly.

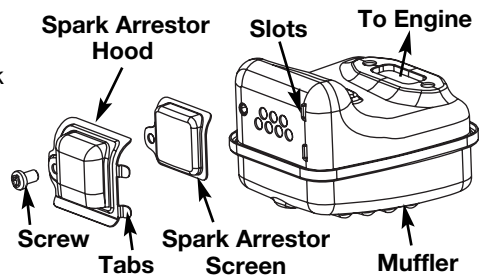


Fig. 22

MAINTENANCE & REPAIR INSTRUCTIONS

- Reinstall the spark arrestor screen by putting the “raised” portion of the screen inside the recessed hole of the muffler. Make sure that the spark arrestor screen fits flat against the muffler.
- Place the spark arrestor plate on top of the spark arrestor screen with the raised side up and the opening facing toward the engine (Fig. 22).
- Place the spark arrestor hood on top of the spark arrestor plate with the “raised” side up and the opening facing AWAY from the engine (Fig. 22). Verify that the exhaust will be directed AWAY from the engine.
- Replace the screw you removed in Step 2 and tighten it securely.
- Reinstall the air filter/muffler cover (Fig. 17).



WARNING: If the spark arrestor hood and spark arrestor screen are not tightened securely, they could fall off causing damage to the unit and possible serious personal injury.

CARBURETOR ADJUSTMENT

The idle speed of the engine is adjustable through the air filter/muffler cover (Fig. 23).

NOTE: Careless adjustments can seriously damage your unit. Contact a Sears or other qualified service dealer to make carburetor adjustments. Call **1-800-4-MY-HOME®** for more information.

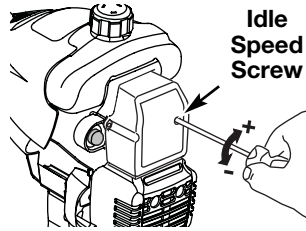


Fig. 23

Check Fuel Mixture

Old and/or improperly mixed fuel is usually the reason for improper unit performance. Drain and refill the tank with fresh, properly-mixed fuel prior to making any adjustments. Refer to *Oil and Fuel Information* (p. 6).

Clean Air Filter

The condition of the air filter is important to the operation of the unit. A dirty air filter will restrict air flow and change the air/fuel mixture. This is often mistaken for an out of adjustment carburetor. Check the condition of the air filter before adjusting the idle speed screw. Refer to *Air Filter Maintenance* (p. 9).

Adjust Idle Speed Screw

If, after checking the fuel mixture and cleaning the air filter, the engine still will not idle, adjust the idle speed screw as follows:

- Start the engine and let it run at a high idle for a minute to warm up. Refer to *Starting/Stopping Instructions* (p. 6).
- Release the throttle trigger and let the engine idle. If the engine stops, insert a small phillips or flat blade screwdriver into the hole in the air filter/muffler cover (Fig. 23). Turn the idle speed screw in, **clockwise**, 1/8 of a turn at a time (as needed) until the engine idles smoothly.
- If the cutting head is spinning at idle, turn the idle speed screw **counterclockwise** 1/8 of a turn at a time (as needed), to reduce idle speed.

Checking the fuel mixture, cleaning the air filter, and adjusting the idle speed should solve most engine problems. If not, have the carburetor adjusted by a Sears or other qualified service dealer. Call **1-800-4-MY-HOME®** for more information.



WARNING: The cutting attachment may spin during idle speed adjustments. Wear protective clothing and observe all safety instructions to prevent serious personal injury.

REPLACING THE SPARK PLUG

Use a Champion RDJ7Y spark plug or equivalent. Remove the plug after every 25 hours of operation and check its condition.

- Stop the engine and allow it to cool. Grasp the plug boot firmly and pull it from the spark plug.
- Clean around the spark plug. Remove the spark plug from the cylinder head by turning a 5/8-inch socket counterclockwise.
- Replace a cracked, fouled or dirty spark plug. Set the air gap at **0.020 in. (0.5 mm)** using a feeler gauge (Fig. 24).
- Install a correctly-gapped spark plug in the cylinder head. Tighten by turning the 5/8-inch socket clockwise until snug. If using a torque wrench, torque to: **110-120 in.•lb. (12.3-13.5 N•m). Do not over-tighten.**
- Reattach the plug boot.

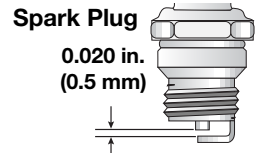


Fig. 24



WARNING: Do not sand blast, scrape or clean spark plug electrodes. Grit in the engine could damage the cylinder.

TRANSPORTING

- Allow the engine to cool before transporting.
- Drain fuel from unit.
- Tighten fuel cap before transporting.
- Secure the unit while transporting.

CLEANING

Use a small brush to clean off the outside of the unit. Do not use strong detergents. Household cleaners that contain aromatic oils such as pine and lemon, and solvents such as kerosene, can damage plastic housing or handle. Wipe off any moisture with a soft cloth.



WARNING: To avoid serious personal injury, always turn your trimmer off and allow it to cool before you clean or maintain it.

STORAGE

- Never store a fueled unit where fumes may reach an open flame or spark.
- Allow the engine to cool before storing.
- Store the unit locked up to prevent unauthorized use or damage.
- Store the unit in a dry, well-ventilated area.
- Store the unit out of the reach of children.

LONG TERM STORAGE

If you plan on storing the unit for an extended time, use the following storage procedure:

- Carefully drain the fuel tank by running the unit dry or remove fuel cap and tip the motor housing over and drain oil/gas fuel into a container with the same 2-cycle fuel mixture. Do not use fuel that has been stored for more than 60 days.
- Start the engine and allow it to run until it stalls. This ensures that all fuel has been drained from the carburetor.
- Allow the engine to cool. Remove the spark plug and put 1 oz. (30 ml) of any high quality motor oil or 2-cycle oil into the cylinder. Pull the starter rope slowly to distribute the oil. Reinstall the spark plug.

NOTE: Remove the spark plug and drain all of the oil from the cylinder before attempting to start the trimmer after storage.

- Thoroughly clean the unit and inspect it for any loose or damaged parts. Repair or replace damaged parts and tighten loose screws, nuts or bolts. The unit is ready for storage.

TROUBLESHOOTING

PROBLEM

SOLUTION

ENGINE WILL NOT START

Empty fuel tank	Fill fuel tank with properly mixed fuel
Primer bulb wasn't pressed enough	Press primer bulb fully and slowly 10 times
Engine is flooded	Pull the starter rope
Old or improperly mixed fuel	Drain fuel tank and add fresh fuel mixture
Fouled spark plug	Replace the spark plug
Plugged spark arrestor	Clean or replace spark arrestor
The outside temperature is below 40° F	Pull the starter rope up to 10-15 times
The outside temperature is above 90° F	Pull the starter rope up to 10-15 times

ENGINE WILL NOT IDLE

Air filter is plugged	Replace or clean the air filter
Old or improperly mixed fuel	Drain fuel tank and add fresh fuel mixture
Improper carburetor adjustment	Adjust according to the <i>Carburetor Adjustments</i>

ENGINE WILL NOT ACCELERATE

Old or improperly mixed fuel	Drain fuel tank and add fresh fuel mixture
Improper carburetor adjustment	Take to a Sears or other qualified service dealer for an adjustment
Cutting attachment bound with grass	Stop the engine and clean the cutting attachment
Dirty air filter	Clean or replace the air filter
Plugged spark arrestor	Clean or replace spark arrestor

ENGINE LACKS POWER OR STALLS WHEN CUTTING

Old or improperly mixed fuel	Drain fuel tank and add fresh fuel mixture
Air filter is plugged	Replace or clean air filter
Improper carburetor adjustment	Take to a Sears or other qualified service dealer for an adjustment
Fouled spark plug	Replace the spark plug
Plugged spark arrestor	Clean or replace spark arrestor

NOTE: For repairs beyond the minor adjustments listed above, contact your nearest Sears Parts & Repair center (**1-800-4-MY-HOME®**) or other qualified service dealer.

SPECIFICATIONS

ENGINE*

Engine Type	Air-Cooled, 2-Cycle
Displacement.....	31.5 cc (1.95 cu in.)
Idle Speed RPM	2,800 - 3,600 rpm
Operating RPM.....	7,200+ rpm
Ignition Type.....	Electronic-MAX FIRE IGNITION™
Ignition Switch.....	Rocker Switch
Spark Plug Gap.....	0.020 in. (0.5 mm)
Spark Plug.....	Champion RDJ7Y or similar plug
Lubrication.....	Fuel/Oil Mixture
Fuel/Oil Ratio	40:1
Carburetor.....	Diaphragm, All-Position
Starter.....	Incredi-Pull™ Starting Auto Rewind
Muffler.....	Baffled with Guard
Throttle.....	Manual Spring Return
Fuel Tank Capacity.....	13 oz. (384 ml)

DRIVE SHAFT & CUTTING ATTACHMENT*

Drive Shaft Housing	Steel Tube (Craftsman Convertible™)
Throttle Control	Finger-Tip Trigger
Approximate Unit Weight (No fuel, with Hassle Free IV®, shield, and D-handle).....	14 lbs. (6 kg)
Cutting Mechanism	Hassle Free IV® Head
Trimming Line Diameter.....	Hassle Free IV™ XTRA QUIET Spiral Line
Cutting Path Diameter	16 inches (40.64 cm)

* All specifications are based on the latest product information available at the time of printing. We reserve the right to make changes at any time without notice.

Repair Protection Agreements

Congratulations on making a smart purchase. Your new Craftsman® product is designed and manufactured for years of dependable operation.

But like all products, it may require repair from time to time. That's when having a Repair Protection Agreement can save you money and aggravation.

Purchase a Repair Protection Agreement now and protect yourself from unexpected hassle and expense.

Here's what's included in the Agreement:

- ☑ **Expert service** by our 12,000 professional repair specialists
- ☑ **Unlimited service and no charge** for parts and labor on all covered repairs
- ☑ **Product replacement** if your covered product can't be fixed
- ☑ **Discount of 10%** from regular price of service and service-related parts not covered by the agreement; also, 10% off regular price of preventive maintenance check
- ☑ **Fast help by phone** – phone support from a Sears technician on products requiring in-home repair, plus convenient repair scheduling

Once you purchase the Agreement, a simple phone call is all that it takes for you to schedule service. You can call anytime day or night, or schedule a service appointment online.

Sears has over 12,000 professional repair specialists, who have access to over 4.5 million quality parts and accessories. That's the kind of professionalism you can count on to help prolong the life of your new purchase for years to come. Purchase your Repair Protection Agreement today!

Some limitations and exclusions apply.

For prices and additional information call **1-800-827-6655**.

Sears Installation Service

For Sears professional installation of home appliances, garage door openers, water heaters, and other major home items, in the U.S.A. call **1-800-4-MY-HOME®**

Convenios de Cobertura de Gastos para Reparaciones

Felicidades por haber hecho una compra inteligente. Su nuevo producto Craftsman está diseñado y fabricado para que opere de manera confiable durante años. Pero como todos los productos, pudiera necesitar una reparación cada cierto tiempo. Por eso el tener un Convenio de Cobertura de Gastos para Reparaciones puede ahorrarle dinero y disgustos.

Adquiera un Convenio de Cobertura de Gastos para Reparaciones ahora y protéjase de problemas y gastos inesperados.

He aquí lo que incluye el Convenio:

- **Servicio proporcionado** por nuestros 12.000 especialistas expertos en reparaciones profesionales
- **Servicio ilimitado sin cargos** por piezas ni mano de obra, en todas las reparaciones cubiertas
- **Reemplazo del producto**, si sus productos cubiertos no pueden arreglarse
- **Descuento del 10%** del precio regular del servicio y de piezas relacionadas con el servicio no cubiertas por el convenio; además, descuento del 10% del precio regular de los chequeos de mantenimiento preventivo
- **Ayuda rápida por teléfono:** apoyo telefónico por parte de un técnico de Sears en los productos que requieren reparación en el hogar, además de la programación de la reparación a una hora conveniente

Una vez que usted adquiera el Convenio, basta con una llamada telefónica para programar el servicio. Usted puede llamar a cualquier hora del día o de la noche, o programar por Internet una cita para el servicio.

Sears tiene más de 12.000 especialistas en reparaciones profesionales, que tienen acceso a más de 4,5 millones de piezas y accesorios de calidad. Ese es el tipo de profesionalismo con el que usted puede contar para ayudar a prolongar la vida útil de su nueva adquisición durante años. ¡Adquiera hoy mismo su Convenio de Cobertura de Gastos para Reparaciones!

Se aplican algunas limitaciones y exclusiones. Para precios e información adicional, llame al 1-800-827-6655.

Servicio de Instalación de Sears

Para la instalación por parte de profesionales de Sears de efectos electrodomésticos; abridores de puertas de garaje, calentadores de agua y demás artículos domésticos de mayor cuantía, en los EE.UU., llame al **1-800-4-MY-HOME®**.

NORMAS PARA UNA OPERACION SEGURA



INDICE DE CONTENIDOS

Normas para una operación segura	Página 16
Garantía	Página 18
CARB / EPA Garantía	Página 18
Instrucciones de ensamble	Página 19
Información del aceite y del combustible	Página 20
Instrucciones de arranque y apagado	Página 21
Operación	Página 22-23
Mantenimiento y reparación	Página 24-26
Cuadro de solución de problemas	Página 27
Especificaciones	Página 27
Lista de Piezas	Página 29-30
Cobertura de Gastos de Reparaciones	Página 31
Números de Servicio	Contraportada

PARACHISPAS

NOTA: Para los usuarios en tierras forestales de los EE.UU. y en los estados de California, Maine, Oregon y Washington. Todos los terrenos forestales de los EE.UU. y el estado de California (Códigos de Recursos Públicos 4442 y 4443), Oregon y Washington, requieren por decreto, que ciertos motores de combustión interna que se hagan funcionar en zonas boscosas y/o zonas cubiertas por pastizales, estén equipados con un parachispas, que sean mantenidos en buen estado de funcionamiento o que el motor sea construido, esté equipado y sea mantenido para evitar incendios. Consulte los reglamentos pertinentes a esos requisitos con las autoridades estatales o locales. El incumplimiento de esos requisitos puede responsabilizarle o someterle a la imposición de una multa. **Esta unidad fue equipada en la fábrica con un parachispas.** Si requiere sustitución, hay una **Pantalla Parachispas disponible, Pieza #753-05169** al contactar el departamento de servicio.

PROPOSICIÓN 65 DE CALIFORNIA

	ADVERTENCIA	
LAS EMISIONES DEL MOTOR DE ESTE PRODUCTO CONTIENEN SUBSTANCIAS QUIMICAS QUE EL ESTADO DE CALIFORNIA CONOCE COMO CAUSANTES DECANCER, DEFECTOS DE NACIMIENTO U OTROS DAÑOS REPRODUCTIVOS.		

NORMAS PARA UNA OPERACION SEGURA

• IMPORTANTE INFORMACION DE SEGURIDAD •

LEA TODAS LAS INSTRUCCIONES ANTES DE LA OPERACION

- Lea todas las instrucciones con cuidado. Conozca bien los controles y el uso correcto de la unidad.
- No opere esta unidad si está cansado, enfermo, o bajo los efectos del alcohol, drogas o medicamentos.
- Los niños y los adolescentes menores de 15 años no deben operar las unidades, excepto por los adolescentes guiados por un adulto.
- Inspeccione la unidad antes de utilizarla. Cambie las partes dañadas. Verifique si existen pérdidas de combustible. Asegúrese de que los sujetadores estén bien colocados y asegurados. Cambie las partes accesorias de corte que estén quebradas, cascadas o dañadas de cualquier forma. Asegúrese de que el accesorio de corte está bien instalado y ajustado con firmeza. Asegúrese de que la protección accesoría de corte esté bien conectada y colocada según se recomienda.
- Use sólo línea despiral Hassle Free IV™ XTRA QUIET. No use nunca línea reforzada con metal, alambre, cadena ni sogas, etc. Estas pueden desprenderse y convertirse en un proyectil peligroso.
- Tenga en cuenta el riesgo de lesiones en la cabeza, manos y pies.
- Oprima el control del regulador y verifique que regrese automáticamente a la posición de mínima. Haga todos los ajustes o reparaciones antes de usar la unidad.
- Limpie el área de corte antes de cada uso. Retire todos los objetos como rocas, vidrios rotos, clavos, alambre o cuerda los cuales pueden ser despedidos o enredarse en el accesorio de corte. Aleje a todos los niños, espectadores y animales domésticos. Mantenga todos los niños, espectadores y animales domésticos a un radio de por lo menos 50 pies (15 m); aún así puede existir un riesgo de objetos despedidos contra los espectadores. Los espectadores deben usar protección para sus ojos. Si alguien se le acerca, pare el motor y el accesorio de corte de inmediato.
- Esta unidad no fue diseñada para ser usada como cortamalezas. No conecte ni opere esta unidad con ningún tipo de cuchilla ni accesorio para cortar malezas.

ADVERTENCIAS DE SEGURIDAD PARA LOS RECORTADORES A GASOLINA

- Guarde el combustible en envases que hayan sido diseñados y aprobados para el almacenamiento de dichos materiales.



ADVERTENCIA: La gasolina es muy inflamable y sus gases pueden explotar si se encienden. Tome las siguientes precauciones:

- Antes de llenar el tanque de combustible, apague siempre el motor y espere que se enfríe. No retire nunca la tapa del tanque de combustible ni cargue combustible mientras el motor esté caliente. No opere nunca la unidad sin la tapa del combustible colocada firmemente en su lugar. Afloje la tapa del combustible lentamente para disipar la presión del tanque.
- Mezcle y cargue el combustible en un área exterior bien ventilada donde no haya chispas ni llamas. Quite lentamente la tapa del combustible sólo después de apagar el motor.

No fume mientras carga o mezcla el combustible. Limpie de inmediato todo el combustible que se haya derramado.

- Evite crear una fuente de encendido por combustible derramado. No arranque el motor hasta que se hayan disipado los vapores del combustible.
- Aleje la unidad a por lo menos 30 pies (9.1 m.) del lugar de carga de combustible antes de arrancar el motor. No fume, mantenga las chispas y las llamas abiertas lejos del área mientras carga el combustible u opera la unidad.

DURANTE LA OPERACION

- No arranque ni opere la unidad en una sala o edificio cerrado. Los gases de escape de monóxido de carbono pueden ser letales en un área cerrada. Opere esta unidad sólo en un área exterior bien ventilada.
- Use lentes o gafas de protección que cumplan con las normas ANSI Z87.1, y protección para sus oídos/audición mientras opere esta unidad. Use siempre una máscara facial o para protegerse contra el polvo si la operación levanta polvo.
- Use pantalones largos y gruesos, botas, guantes y camisa de manga larga. No use ropa holgada, alhajas, pantalones cortos, sandalias ni esté descalzo. Sostenga el cabello sobre el nivel de los hombros.
- La protección accesoría de corte debe estar siempre colocada en su lugar mientras opere la unidad. No opere la unidad con las dos líneas de corte extendidas, y la línea correcta instalada. No extienda la línea de corte más allá de la longitud de la protección.
- Esta unidad no tiene embrague. El accesorio de corte continúa girando cuando el motor está en marcha en vacío. Para evitar lesiones, haga que un técnico de servicio autorizado ajuste la unidad.
- Ajuste la manija en D a su tamaño de modo que le brinde el mejor agarre.
- Asegúrese de que el accesorio de corte no está en contacto con ningún objeto antes de arrancar la unidad.
- Use la unidad únicamente con la luz del día o con buena luz artificial.
- Evite arrancar la unidad accidentalmente. Colóquese en posición de inicio siempre que tire de la cuerda de arranque. El operador y la unidad deben estar en una posición estable al comenzar. Lea las *instrucciones de Arranque y Apagado*.
- Use la herramienta adecuada. No use esta unidad para ninguna tarea para la cual no ha sido diseñada.
- No se estire demasiado. Mantenga siempre una posición y equilibrio adecuados.
- Sostenga siempre la unidad con ambas manos mientras esté en funcionamiento. Sostenga con firmeza tanto el mango como la manija auxiliar.
- Mantenga las manos, la cara y los pies lejos de todas las partes móviles. No intente tocar ni detener el accesorio de corte mientras gira.
- No toque el motor, el bastidor del engranaje ni el silenciador. Estas partes se calientan mucho con la operación. Luego de apagar la unidad, permanecen calientes durante un tiempo breve.
- No opere el motor a una velocidad mayor que la necesaria para cortar, recortar o recortar los bordes. No haga funcionar el motor a alta velocidad mientras no está cortando.

NORMAS PARA UNA OPERACION SEGURA

- Apague siempre el motor cuando demore el corte o mientras camina entre zonas de corte.
- Si golpea o se enreda con algún objeto extraño, apague el motor de inmediato y verifique si hay daños. Repare todos los daños antes de volver a intentar operar la unidad. No opere la unidad si tiene piezas flojas o dañadas.
- Apague el motor para realizar todo el mantenimiento, reparaciones o cambio del accesorio de corte u otros accesorios.
- Use sólo piezas y accesorios de repuesto del fabricante del equipo original para esta unidad. Puede obtenerlos en su proveedor de servicio autorizado. El uso de piezas y accesorios que no son equipo original puede causar graves lesiones al operador o el daño de su unidad, y la cancelación de su garantía.
- Mantenga la unidad libre de vegetación y otros materiales. Pueden alojarse entre el accesorio de corte y la protección.
- Para reducir el riesgo de incendio, cambie los silenciadores y amortiguadores de chispas defectuosos, mantenga el motor y el silenciador libre de pasto, hojas, grasa excesiva o acumulaciones de carbono.

OTRAS ADVERTENCIAS DE SEGURIDAD

- No guarde nunca la unidad con combustible en el tanque en un edificio donde los gases puedan llegar a una llama abierta o a una chispa.
- Espere que el motor se enfríe antes de guardar o transportar la unidad. Asegúrese de que la unidad esté segura al transportarla.
- Guarde la unidad bajo llave en un lugar adecuado y seco para evitar que sea usada por personas no autorizadas y se dañe, fuera del alcance de los niños.
- Nunca moje ni rocíe la unidad con agua ni con ningún otro líquido. Mantenga las manijas secas, limpias y sin residuos. Limpie la unidad luego de cada uso, lea las instrucciones de *Limpieza y Almacenamiento* (p. 23).
- Guarde estas instrucciones. Consúltelas con frecuencia y utilícelas para enseñar a otros usuarios. Si le presta esta unidad a alguien, préstele también estas instrucciones.

CONSERVE ESTAS INSTRUCCIONES

CONSIGNES DE SÉCURITÉ

SIMBOLOS DE SEGURIDAD E INTERNACIONALES

Este manual del operador describe los símbolos y figuras de seguridad e internacionales que pueden aparecer en este producto. Lea el manual del operador para obtener información completa acerca de la seguridad, ensamble, operación y mantenimiento y reparación.

SIMBOLO	SIGNIFICADO
	<ul style="list-style-type: none"> • SIMBOLO DE ALERTA DE SEGURIDAD Indica peligro, advertencia o precaución. Puede ser utilizado junto con otros símbolos o figuras.
	<ul style="list-style-type: none"> • ADVERTENCIA - LEA EL MANUAL DEL OPERADOR Lea el manual del operador y siga todas las advertencias e instrucciones de seguridad. De no hacerlo, el operador y/o los espectadores pueden sufrir graves lesiones.
	<ul style="list-style-type: none"> • USE PROTECCION OCULAR Y AUDITIVA ADVERTENCIA : Los objetos arrojados por la unidad y el ruido fuerte pueden causar graves lesiones oculares y pérdida auditiva. Utilice protección ocular que cumpla con las normas ANSI Z87.1 y protección auditiva cuando opere esta unidad. Use una careta completa cuando la necesite.
	<ul style="list-style-type: none"> • ADVERTENCIA DE CALIENTE No toque un silenciador ni un cilindro caliente. Puede quemarse. Estas partes se calientan mucho con el uso. Luego de apagarse permanecen calientes durante un corto tiempo.
	<ul style="list-style-type: none"> • COMBUSTIBLE SIN PLOMO Use siempre combustible limpio, nuevo y sin plomo.
	<ul style="list-style-type: none"> • INDICADOR DE ACEITE Consulte el manual del operador para obtener información acerca del tipo correcto de aceite.

SIMBOLO	SIGNIFICADO
	<ul style="list-style-type: none"> • CONTROL DE ENCENDIDO Y APAGADO ENCENDIDO /ARRANQUE /MARCHA
	<ul style="list-style-type: none"> • CONTROL DE ENCENDIDO Y APAGADO APAGADO o PARADO
	<ul style="list-style-type: none"> • MANTENGA ALEJADOS A LOS ESPECTADORES ADVERTENCIA: Mantenga a todos los espectadores, en especial a niños y animales domésticos a por lo menos 50 pies (15 m) del área de corte.
	<ul style="list-style-type: none"> • CUCHILLA AFILADA ADVERTENCIA : La protección del accesorio de corte contiene una cuchilla afilada. Para prevenir graves lesiones, no toque la cuchilla.
	<ul style="list-style-type: none"> • LOS OBJETOS DESPEDIDOS Y LA CUCHILLA ROTATIVA PUEDEN CAUSAR GRAVES LESIONES ADVERTENCIA: No opere esta unidad si la protección plástica de línea no está colocada en su lugar. Manténgase alejado del accesorio de corte giratorio.
	<ul style="list-style-type: none"> • CUCHILLA AFILADA ADVERTENCIA : La protección del accesorio de corte contiene una cuchilla afilada. Para prevenir graves lesiones, no toque la cuchilla.

NORMAS PARA UNA OPERACION SEGURA

GARANTÍA LIMITADA POR DOS AÑOS EN EL RECORTADOR DE GASOLINA CRAFTSMAN

Por dos años a partir de la fecha de compra, cuando se use y se dé mantenimiento a este Recortador según el manual del operador, Sears reparará cualquier defecto en material o mano de obra sin cargo alguno. Esta garantía excluye la bujía, el filtro de aire y la bolsa de la aspiradora, las cuales son piezas fungibles que se pueden gastar debido al uso normal en menos de dos años. Si este Recortador se usa para fines comerciales o de alquiler, esta garantía tiene valor por solo 30 días a partir de la fecha de compra. **EL SERVICIO DE LA GARANTÍA ESTÁ DISPONIBLE AL DEVOLVER ESTE SOPLADOR A LA TIENDA SEARS O AL CENTRO DE PIEZAS Y REPARACIONES DE SEARS MÁS CERCANO EN LOS ESTADOS UNIDOS.** Esta garantía le concede a usted derechos legales específicos, y usted pudiera tener otros derechos que varían de un estado a otro.

Sears, Roebuck and Co., Hoffman Estates, IL 60179

Declaración de Garantía de Control de Emisiones de la EPA / California Sus Derechos y Obligaciones de la Garantía

La Junta de Recursos del Aire de California, la Agencia de Protección Ambiental y Sears se complacen en explicar la garantía del sistema de control de emisiones para su pequeño motor para uso fuera de la carretera del 2005 y posterior. Los nuevos motores pequeños para uso fuera de la carretera tienen que diseñarse, construirse y equiparse para cumplir las normas contra smog más estrictas. Sears tiene que garantizar el sistema de control de emisiones de su pequeño motor para uso fuera de la carretera durante los periodos de tiempo que aparecen a continuación siempre que no haya habido abuso, negligencia o mantenimiento indebido de su motor para uso fuera de la carretera. El sistema de control de emisiones puede incluir piezas tales como el carburador o sistema de inyección de combustible, el sistema de encendido y el convertidor catalítico. También puede incluir mangueras, correas, conectores y otros componentes relacionados con el control de emisiones. Cuando exista una condición justificable, Sears arreglará su pequeño motor todo-terreno sin costo alguno, incluyendo el diagnóstico, piezas y mano de obra.

Los pequeños motores todo-terreno del año 2005 y años posteriores están garantizados por dos años. Si su motor tiene alguna pieza defectuosa que esté relacionada con las emisiones, Sears la arreglará o cambiará.

Responsabilidades del Propietario para la Garantía

- Como propietario del pequeño motor todo-terreno, usted tiene la responsabilidad de la ejecución del mantenimiento requerido que se describe en el manual del operador. Sears le recomienda que conserve todos los recibos que cubran el mantenimiento de su pequeño motor todo-terreno, mas Sears no puede negarle la garantía por carecer de ellos o por omitir la ejecución del mantenimiento programado.
- No obstante, como propietario del pequeño motor todo-terreno, usted debe tener en cuenta que Sears puede negarle la cobertura de garantía si su pequeño motor todo-terreno o alguna parte falla debido al abuso, negligencia, mantenimiento inapropiado o modificaciones no aprobadas.
- Usted tiene la presponsabilidad de llevar el pequeño motor todo-terreno a un centro de servicio autorizado Sears tan pronto como exista un problema. Las reparaciones de garantía se deben llevar a cabo dentro de un tiempo razonable, que no exceda los 30 días. Si tiene alguna pregunta relacionada con los derechos y responsabilidades de su garantía, debe llamar al **1-800-4-MY-HOME®**.

Cobertura de la Garantía del Fabricante

- El período de garantía empieza en la fecha que el motor o equipo se le entrega al comprador al detalle.
- El fabricante le garantiza al propietario original y a cada comprador posterior que el motor no tiene defectos en cuanto a su material o mano de obra, los cuales causen la falla de una pieza garantizada durante un período de dos años.
- La reparación o sustitución de una pieza garantizada se hará sin costo alguno para el propietario, en un centro de servicio autorizado Sears. Por favor contacte a Sears para informarse sobre el lugar más cercano. **1-800-4-MY-HOME®**.
- Cualquier pieza garantizada cuya sustitución no esté programada, como mantenimiento requerido o que únicamente esté programada para una inspección regular para "Arreglar o cambiar según sea necesario", está garantizada durante el período de garantía. Cualquier pieza garantizada cuya sustitución esté programada como mantenimiento requerido, será garantizada durante el período de tiempo hasta el punto de la primera sustitución programada para esa pieza.
- No se le cobrará al propietario por el trabajo de diagnóstico que conduzca a la conclusión de que una pieza garantizada se encuentra defectuosa, si el trabajo de diagnóstico lo hace un centro de servicio autorizado Sears.
- El fabricante es responsable de los daños causados a otros componentes del motor cuando falle una pieza garantizada que aún esté cubierta.
- Las fallas causadas por el abuso, negligencia o el mantenimiento inapropiado no están cubiertas bajo esta garantía.
- La utilización de accesorios o piezas modificadas puede ser la razón para no permitir una reclamación de garantía. El fabricante no es responsable de la cobertura de fallas de piezas garantizadas causadas por el uso de piezas incorporadas o modificadas.
- Para presentar una reclamación, diríjase a su centro de servicio autorizado Sears cercana. Los servicios de garantía o de reparación se prestarán en todos los centros de servicio autorizado Sears.
- Se puede usar cualquier pieza de sustitución aprobada por el fabricante cuando se haga cualquier mantenimiento de garantía o reparación de piezas relacionadas con las emisiones, y se hará sin costo al propietario. Se usará cualquier pieza que sea equivalente en rendimiento o durabilidad en el mantenimiento o reparación que no estén cubiertos por la garantía, lo cual no reducirá las obligaciones de garantía del fabricante.
- Los siguientes componentes están incluidos en la garantía relacionada con las emisiones del motor, filtro de aire, carburador, cebador, líneas de combustible, toma de combustible, /filtro de combustible, módulo de encendido, bujía y silenciador.

INSTRUCCIONES DE ENSAMBLAJE

INSTALACIÓN Y AJUSTE DE LA MANIJA EN D

Instalación

1. Coloque la manija en D por encima del bastidor del eje y sobre la abrazadera inferior (Fig. 1). Colóquela a un mínimo de 15,24 cm (6 pulgadas) desde el extremo del puño del eje.

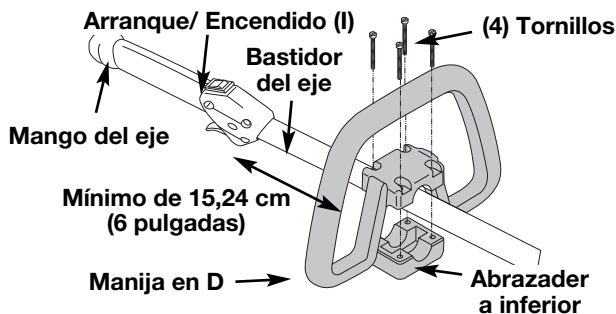


Fig. 1

2. Sostenga cada tuerca hexagonal en el hueco de la abrazadera inferior con un dedo. Inicie los tornillos con un destornillador grande de pala o Torx #25. No los apriete hasta ajustar la manija.

Ajuste

3. Mientras sostiene la unidad en posición de operación (Fig. 2), coloque la manija en D en la posición que le brinde el mejor agarre.
4. Ajuste los tornillos de la abrazadera en forma pareja hasta que la manija en D esté firme.

INSTALE EL CONDENSADOR DE AJUSTE/ ACCESORIO DEL SOPLADOR

NOTA: To make installation easier, place the unit on the ground or on a workbench.

1. Dé vuelta a la perilla a la izquierda para aflojar el acoplador (Fig. 14, p. 23).
2. Mientras que firmemente celebra el accesorio del condensador de ajuste, empujelo derecho en el acoplador hasta que el botón del lanzamiento se encaja a presión hacia el agujero primario (Fig. 15, p. 23).

NOTA: Alinear el botón del lanzamiento con la hendidura de la guía ayudará a la instalación (Fig. 15, p. 23).

3. Dé vuelta a la perilla a la derecha para apretar.

APLICACIONES

Como recortadora corte de césped y hierbas delgadas, y recorte decorativo alrededor de árboles, cercos, etc.

Utilice el condensador de ajustesoplador a limpiar alrededor de edificios, paredes y cercas (Figs. 7 y 8). También uso alrededor de árboles, arbustos, y camas de la flor (Fig. 9).

INSTALACIÓN DEL PROTECTOR DEL ACCESORIO DE CORTE

1. Ponga el extremo estrecho del protector del accesorio de corte sobre el soporte del protector en la parte posterior del cuerpo del accesorio y colóquelo de modo que el corte circular se deslice sobre la espiga del conjunto del protector (Fig. 2).
2. Coloque la tuerca autobloqueante en el orificio hexagonal en el lado izquierdo del protector y manténgala en su lugar.
3. Inserte el tornillo de montaje en el orificio que está en el lado derecho del protector y atornillelo en la tuerca que está en el lado izquierdo con un destornillador Phillips.
4. Cerciórese de que el tornillo esté apretado antes de operar la unidad.

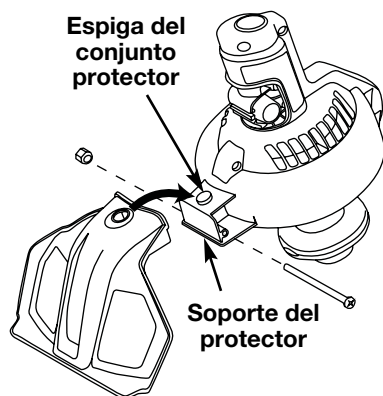
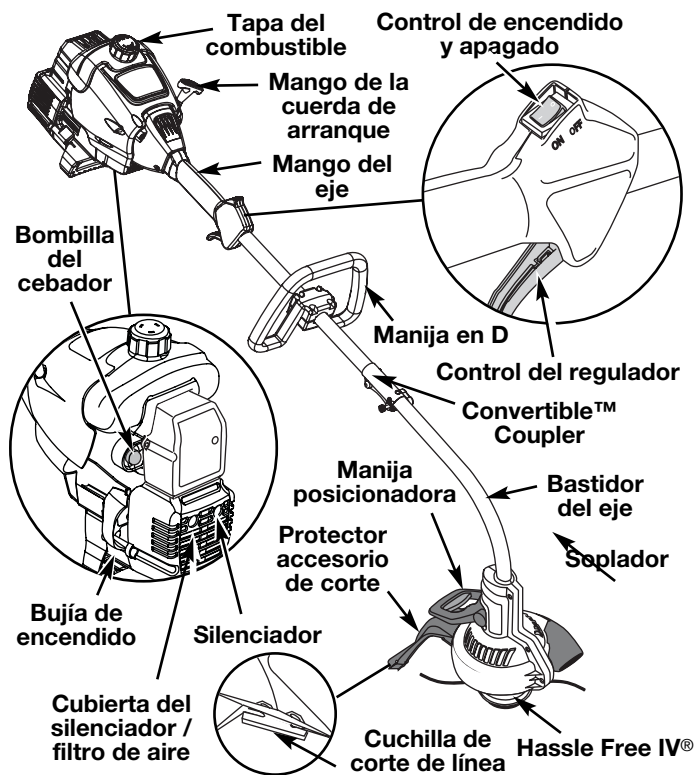


Fig. 2

CONOZCA SU UNIDAD



SELECCIONANDO EL CORTADOR O SOPLADOR

Para cambiar entre la función de cortador y soplador en esta unidad, asegúrese que la unidad este apagada y el motor ha parado de correr.



ADVERTENCIA: Para evitar serios daños personales o daño a la unidad, **NO TRATE** de cambiar entre el modo de cortador y soplador mientras la unidad esta operando.

Para usar el cortador

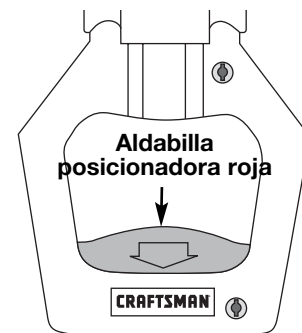
Al usar el cortador, asegúrese que el manija posicionadora este en la posición de ABAJO antes de encender la unidad.

1. Si la manija posicionadora esta en la posición de ARRIBA, agarre la aldabilla posicionadora roja de la manija (Fig. 3) y presionela hasta que el mecanismo interno se libere.
2. Empuje la manija posicionadora hacia ABAJO hasta que la aldabilla roja se traben en su lugar. **NO LA FORCE.**
3. Encienda la unidad siguiendo las instrucciones de encendido (p. 6) y la unidad esta lista para su uso.

Para usar el soplador

Al usar el soplador, asegúrese que la manija posicionadora este en la posición de ARRIBA antes de encender la unidad.

1. Si la manija posicionadora esta en la posición de ABAJO, agarre la aldabilla posicionadora roja de la manija (Fig. 3) y presionela hasta que el mecanismo interno se libere.
2. Jale la manija posicionadora hacia la posición de ARRIBA hasta que la aldabilla roja se posicione en su lugar. **NO LA FORCE.**
3. Encienda la unidad siguiendo las instrucciones de encendido y la unidad esta lista para su uso.



Manija posicionadora

Fig. 3

INFORMACION DEL ACEITE Y DEL COMBUSTIBLE

	PRECAUCION: Para que el motor funcione correctamente y con la mayor fiabilidad, preste mucha atención a las instrucciones de mezcla de aceite y combustible del envase de aceite de 2 ciclos. El uso de combustible mezclado en forma incorrecta puede dañar seriamente el motor.
--	--

	ADVERTENCIA: Saque la tapa del combustible lentamente para evitar lesionarse con el rociado del combustible. No opere nunca la unidad sin la tapa del combustible firmemente colocada en su lugar.
--	---

INSTRUCCIONES PARA MEZCLAR EL ACEITE Y EL COMBUSTIBLE

El combustible viejo o mal mezclado son los motivos principales del mal funcionamiento de la unidad. Asegúrese de usar combustible nuevo, limpio y sin plomo. Siga las instrucciones en detalle para mezclar correctamente el aceite y el combustible.

NOTA: 3,8 litros (un galón) de gasolina sin plomo mezclada con una botella de 95 mL (3,2 onzas) de aceite de 2 ciclos es una proporción de 40:1 de combustible y aceite.

Definición de los combustibles de mezcla

Los combustibles actuales con frecuencia son una mezcla de gasolina y oxigenantes como por ejemplo etanol, metanol o MTBE (éter). El combustible mezclado con alcohol absorbe agua. Una cantidad tan pequeña como el 1% de agua en el combustible puede causar la separación del combustible y el aceite. Forma ácidos cuando está almacenado. Cuando use combustible mezclado con alcohol, use combustible nuevo (de menos de 60 días).

Uso de combustibles de mezcla

Si usted opta por usar un combustible de mezcla o si su uso es inevitable, tome las precauciones recomendadas.

- Use siempre una mezcla fresca de combustible según lo indica su manual del operador.
- Agite siempre la mezcla de combustible antes de cargarlo en la unidad.
- Drene el tanque y haga funcionar el motor en seco antes de guardar la unidad.

Uso de aditivos en el combustible

La botella de aceite de 2 ciclos que vino con su unidad contiene un aditivo en el combustible que ayudará a inhibir la corrosión y a reducir la formación de depósitos de goma. Se recomienda que use sólo el aceite de 2 ciclos con esta unidad. Si es inevitable, use un buen aceite de 2 ciclos elaborado para motores enfriados por aire junto con un aditivo para el combustible como por ejemplo el estabilizador de gasolina Craftsman o similar. Agregue 23 mL (0,8 onzas) de aditivo de combustible por galón de combustible de acuerdo con las instrucciones del envase. NUNCA agregue aditivos directamente en el tanque de combustible de la unidad. Mezcle bien la proporción correcta de aceite para motor de 2 ciclos y gasolina sin plomo en una lata de combustible por separado. Use una proporción de 40:1 de combustible y aceite. No los mezcle directamente en el tanque de combustible de la unidad. Consulte las proporciones específicas de mezcla de gasolina y aceite en la tabla siguiente.

NOTA: Elimine la mezcla vieja de aceite y combustible de acuerdo con los reglamentos federales, estatales y locales.

	ADVERTENCIA: Cargue el combustible en un área exterior limpia y bien ventilada. Limpie de inmediato todo combustible que se haya derramado. Evite crear una fuente de encendido con el combustible derramado. No arranque el motor hasta que se hayan evaporado los gases del combustible.
--	---

	ADVERTENCIA: La gasolina es muy inflamable. Los gases pueden explotar si se encienden. Apague siempre el motor y espere que se enfríe antes de cargar el tanque de combustible. No fume mientras llena el tanque. Mantenga las chispas y las llamas lejos del área.
--	--

	+	
GASOLINA SIN PLOMO		ACEITE DE 2 CICLOS
3,8 LITROS (1 GALON de EE.UU.)		95 mL (3,2 ONZAS FLUIDAS)
1 LITRO		25 mL

INSTRUCCIONES DE ARRANQUE Y APAGADO



ADVERTENCIA: Use esta unidad sólo en un área exterior bien ventilada. Los gases de escape de monóxido de carbono pueden ser letales en un área cerrada.



ADVERTENCIA: Evite los arranques accidentales. Colóquese en posición de inicio cuando tire de la cuerda de arranque (Fig. 6). El operador y la unidad deben estar en una posición estable al arrancar la unidad para evitar graves lesiones personales.

INSTRUCCIONES DE ARRANQUE

1. Mezcle la gasolina con el aceite.
 2. Llene el tanque de combustible con la mezcla de combustible/aceite. *Vea las Instrucciones para Mezclar el Aceite y el Combustible* (p. 20).
- NOTA:** No hay necesidad de girar la unidad. Encendido/de parada el control (Fig. 4) está en la posición de trabajo siempre (I).
3. Oprima completamente el cebador y suéltelo 10 veces. Hágalo lentamente. Se deberá ver un poco de **combustible en el cebador** y en las tuberías de alimentación de combustible (Fig. 5). Si no puede ver el combustible en el cebador, oprímalo y suéltelo tantas veces como sea necesario hasta que vea combustible en el mismo.
 4. Colóquese en la posición de arranque (Fig. 6) y hale el cordón de arranque con energía hasta que el motor arranque. Espera 10 a 15 segundos, entonces exprima la válvula reguladora para controlar el corte o la velocidad que sopla.

SI... El motor no arranca, regrese al **paso 3**.

NOTA: La unidad usa INCREDI-PULL™ con MAX FIRE IGNITION™, lo cual reduce considerablemente el esfuerzo requerido para arrancar el motor. Debe halar el cordón de arranque lo suficiente para oír que el motor trata de arrancar. No es necesario halar el cordón con energía: no hay fuerte resistencia al halar. Tenga en cuenta que este método de arranque es muy diferente (y mucho más fácil) del que usted pudiera estar acostumbrado a usar.

INSTRUCCIONES DE APAGADO

1. Saque la mano del control del regulador. Deje enfriar el motor en marcha en vacío.
2. Coloque el control de encendido y apagado en posición de APAGADO (O) (Fig. 4).

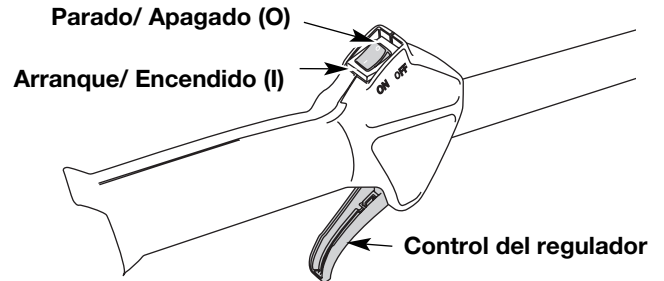


Fig. 4

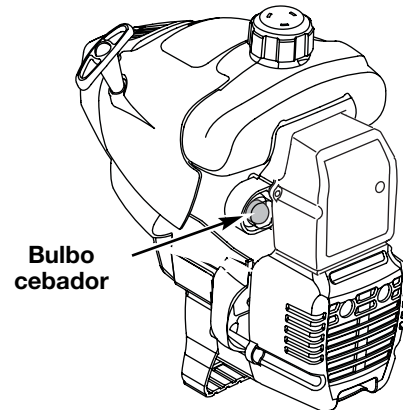


Fig. 5



Fig. 6

LLEVAR A CABO LA UNIDAD



ADVERTENCIA: Siempre ojo del desgaste, el oír, protección del pie y del cuerpo para reducir el riesgo de lesión al funcionar esta unidad.

Antes de funcionar la unidad, soporte en la posición de funcionamiento (Figs. 7-9). Compruebe para saber si hay el siguiente:

- El operador está usando la protección de ojo y la ropa apropiada.
- El brazo derecho está doblado levemente, y la mano está sosteniendo el apretón del eje.
- El brazo izquierdo es recto, y la mano está sosteniendo J-dirige o d-handle.
- La unidad está en el nivel de la cintura.
- El condensador de ajuste/ el soplador es paralelo a la tierra y se coloca así que la ruina está soplada ausente de operador.



ADVERTENCIA: Para prevenir lesión seria a se o a otros, o daño a los bienes posible, nunca señale el soplador en la dirección de la gente o de animales domésticos, o en la dirección de ventanas. Dirija siempre la ruina que sopla ausente de la gente, animales, y ventanas. Tenga cuidado adicional al soplar la ruina cerca de objetos sólidos tales como árboles, automóviles, paredes, etc.

EXTREMIDADES DE FUNCIONAMIENTO AL USAR EL CONDENSADOR DE AJUSTE/ SOPLADOR

- Para reducir el riesgo de la pérdida de oído se asoció a los niveles de sonido, el uso de la protección de oído se requiere.
- Funcione el equipo de la energía solamente en las horas razonables, no temprano por la mañana o tarde en la noche en que la gente pudo ser disturbada. Confórmese con el tiempo enumerado en ordenanzas locales. Las recomendaciones generalmente son 9:00 a.m. a 5:00 p.m., De lunes a sábado.
- Para reducir los niveles de ruidos, limite el número de los pedazos de equipo usados en cualquier una hora.
- To reduce noise levels, operate power blowers at the lowest possible speed to do the job.
- Utilice los rastrillos y las escobas para aflojar la ruina antes de soplarla.
- En condiciones polvorientas, humedezca levemente las superficies o utilice un accesorio del señor cuando el agua está disponible.
- Conserve el agua usando sopladores de la energía en vez de las mangueras para muchos los usos del césped y del jardín, incluyendo áreas tales como canales, pantallas, patios, parrillas, pórticos, y jardines.
- Reloj hacia fuera para los niños, animales domésticos, abra las ventanas, o coches recientemente lavados, y ruina del soplo lejos de ellos.
- Después de usar los sopladores y el otro equipo, ¡CLIMPIE PARA ARRIBA! Disponga de la ruina en receptáculos de la basura.

REEMPLAZO DE LA LÍNEA

para la Cabeza de Corte Hassle-Free IV™

Use siempre la Línea Espiral Hassle-Free IV™ XTRA QUIET de Craftsman.

NOTA: Antes de insertar la nueva línea en los agujeros de la cabeza de corte, identifique los agujeros adecuados. Siga las directrices que se indican en la placa de deslizamiento de la línea. **No** trate de quitarle la cabeza de corte a la unidad al reemplazar la línea.



Fig. 7



Fig. 8



Fig. 9

INSTRUCCIONES DE OPERACION



PRECAUCIÓN: No saque ni altere el ensamble de la cuchilla limitadora de línea. La longitud excesiva de la línea causará el recalentamiento del motor. Esto puede causar graves lesiones personales o daño a la unidad.

1. Quitele a la cabeza de corte la línea vieja y la placa de deslizamiento de la línea.
2. Limpie toda la superficie de la cabeza de corte.
3. Reinstale la placa de deslizamiento (Fig. 10). Alinee la flecha con **A**.

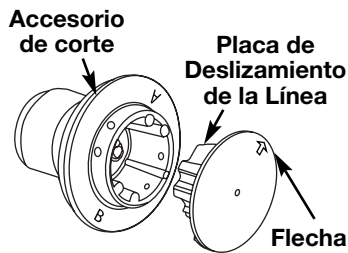


Fig. 10

- NOTA:** La placa de deslizamiento de la línea se debe reinstalar en la cabeza de corte antes de insertar la nueva línea.
4. Inserte ambos extremos de su línea a través de los agujeros adecuados en el lado de la cabeza de corte (Fig. 11).

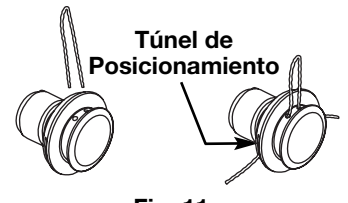


Fig. 11

5. Hale la línea y cerciórese de que la línea esté contra el cubo y que esté totalmente extendida a través de los túneles de posicionamiento (Fig. 12).
6. La línea que esté instalada correctamente tendrá la misma longitud en ambos lados.

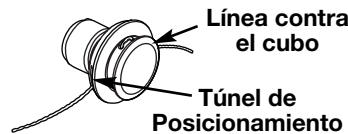


Fig. 12

NOTA: No apoye la perilla percuisva sobre el suelo mientras la unidad esté en funcionamiento.

La línea puede cortarse por:

- Enredarse con un objeto extraño
- Fatiga normal de la línea
- Intentar cortar hierbas gruesas y leñosas
- Forzar la línea en objetos como paredes o postes de cercos.

CONSEJOS PARA OBTENER MEJORES RESULTADOS AL RECORTAR

- El ángulo correcto para ubicar el accesorio de corte es paralelo al suelo.
- Corte de derecha a izquierda siempre que sea posible. Cortar hacia la derecha mejora la eficiencia de la unidad. Los recortes salen arrojados en sentido contrario al operador.
- Recorte únicamente cuando el pasto y las hierbas estén secas.
- La vida de su línea de corte depende de:
 - Seguir todas las técnicas de corte indicadas anteriormente
 - El tipo de vegetación que corte
 - El lugar donde se corta

Por ejemplo, la línea se desgastará más rápido cuando corte contra un muro que cuando corte alrededor de un árbol.

RECORTE DECORATIVO

El recorte decorativo se realiza eliminando toda la vegetación de alrededor de los árboles, postes, cercos, etc. Gire toda la unidad a modo de que el accesorio de corte se ubique a un ángulo de 30° con el suelo (Fig. 13).

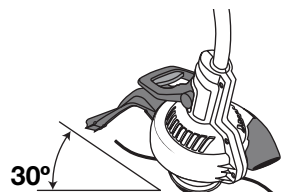


Fig. 13



ADVERTENCIA: Antes de comenzar a usar este accesorio, lea y comprenda el manual que viene con el accesorio. Siga toda la información de seguridad contenida en el mismo.



ADVERTENCIA: Para evitar graves lesiones personales, apague la unidad antes de sacar o instalar accesorios.

CON LA CARACTERISTICA CRAFTSMAN CONVERTIBLE™
El acoplador permite que usted convierta esta unidad para uso con los accesorios adicionales siguientes:

- Cultivador
- Recortador de bordes
- Cortamalezas
- Podador de árboles para instalar accesorios

Instalación del accesorio de corte u otros accesorios

NOTA: Para hacer la instalación más fácil, ponga la unidad en la tierra o en un banco de trabajo.

1. Cerciórese de que la unidad esté completamente apagada.
2. De vuelta a la perilla a la izquierda para aflojar el acoplador (Fig. 14).
3. Mientras que firmemente sostiene el accesorio, empújelo derecho en el acoplador hasta el botón liberador (Fig. 15) se encaja a presión hacia el agujero primario (Fig. 15). El agujero primario está en el lado opuesto del acoplador de la perilla (Fig. 15). La alineación del botón de desconexión con el hueco de guía facilitará la instalación (Fig. 15).
4. Gire la perilla en sentido horario para ajustarla (Fig. 16).

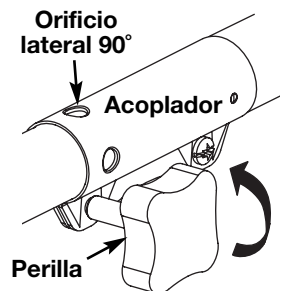


Fig. 14

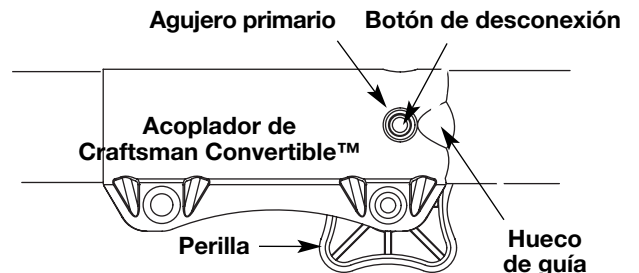


Fig. 15



PRECAUCIÓN: Trabe el botón de desconexión en el orificio primario y ajuste bien la perilla antes de operar esta unidad.

Remoción del accesorio de corte u otros accesorios

1. Cerciórese de que la unidad esté completamente apagada.
2. Gire la perilla en sentido anti-horario para aflojarla (Fig. 14).
3. Opima y sostenga el botón de desconexión (Fig. 15).
4. Mientras sostiene el bastidor del eje superior con firmeza, tire del accesorio de corte u accesorio en línea recta fuera del acoplador Craftsman Convertible™ (Fig. 16).

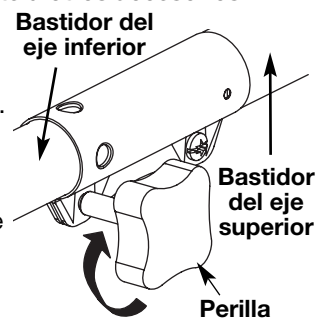


Fig. 16



PRECAUCIÓN: Los accesorios deben ser usados en el orificio primario. El usar el orificio incorrecto puede conducir a lesiones personales o daño de la unidad.

PROGRAMA DE MANTENIMIENTO

Estos procedimientos requeridos para el mantenimiento deben ser realizados con la frecuencia indicada en la tabla. Deben ser incluidos como parte de toda puesta a punto de cada temporada.

NOTA: Algunos procedimientos de mantenimiento podrían requerir herramientas o habilidades especiales. Si no está seguro de estos procedimientos, lleve su unidad a Sears o a otra agencia de servicio calificada. Llame al **1-800-4-MY-HOME®**.

NOTA: El mantenimiento, el reemplazo o la reparación de los dispositivos y del sistema de control de emisiones puede ser realizado por Sears o por otra agencia de servicio calificada. Para más información, llame al **1-800-4-MY-HOME®**.


A fin de garantizar el rendimiento máximo de su motor, pudiera ser necesaria la inspección de la lumbrera de escape del motor después de 50 horas de operación. Si usted nota pérdida de RPM, un rendimiento insuficiente o una falta general de aceleración, pudiera requerirse este servicio. Si usted considera que su motor necesita esta inspección, consulte con Sears u otra agencia de servicio calificada. Para más información, llame al **1-800-4-MY-HOME®**. NO trate de realizar este proceso usted mismo ya que pudiera dañar el motor como resultado de contaminantes presentes en el proceso de limpieza de la lumbrera.



ADVERTENCIA: Para evitar lesiones personales graves, nunca realice mantenimiento ni reparaciones con la unidad funcionando. Realice siempre el mantenimiento y las reparaciones con la unidad fría. Desconecte el cable de la bujía de encendido para cerciorarse de que la unidad no arrancará.

FRECUENCIA	MANTENIMIENTO REQUERIDO	CONSULTE
Antes de arrancar el motor	Llene el tanque de combustible con la mezcla correcta de aceite y combustible	Página 20
Cada 10 horass	Limpie y vuelva a aceitar el filtro de aire	Página 24
Cada 25 horass	Examine el parachispas y límpielo Inspeccione la condición y la separación de la bujía de encendido	Página 25 Página 26
Cada 50 horas	Inspeccione si la lumbrera de escape y la rejilla del parachispas están tupidas u obstruidas para garantizar los niveles máximos de rendimiento	Página 25

MANTENIMIENTO DEL FILTRO DE AIRE



ADVERTENCIA: Para evitar graves lesiones personales, apague siempre su recortador y espere que se enfríe antes de limpiarlo o realizar todo tipo de mantenimiento.

Remoción de la cubierta del silenciador/ filtro de aire

1. Saque los cuatro (4) tornillos que sostienen la cubierta del silenciador / filtro de aire (Fig. 17). Use un destornillador de vástago plano o de broca Torx N° T20.
2. Quite la tapa del motor empujándola hacia arriba y halarla hacia atrás. No la fuerce.

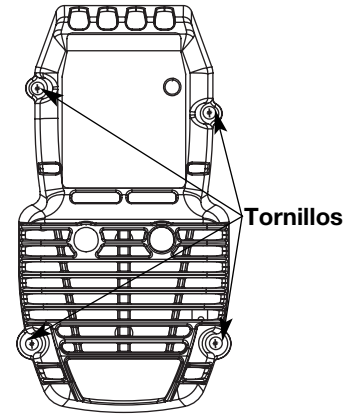


Fig. 17

Limpieza del Filtro de Aire

Limpie y vuelva a aceitar el filtro de aire cada 10 horas de operación. Es una de las partes cuyo mantenimiento es importante. No mantener debidamente su filtro de aire puede resultar en funcionamiento inadecuado o puede causar daño permanente a su motor.

1. Saque la cubierta del silenciador / filtro de aire. Lea la sección de *Remoción e Instalación de la cubierta del silenciador / filtro de aire*.
2. Gire la tapa y ubique el filtro de aire adentro. Saque el filtro de aire de adentro de la tapa del filtro de aire / silenciador (Fig. 18).

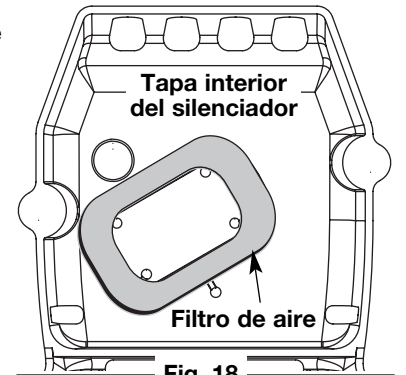


Fig. 18

3. Lave el filtro con agua y detergente (Fig. 19). Enjuague bien el filtro. Escurra el exceso de agua. Déjelo secar por completo.
4. Aplique suficiente aceite limpio SAE 30 para recubrir ligeramente el filtro (Fig. 20).

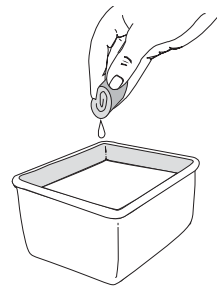


Fig. 19

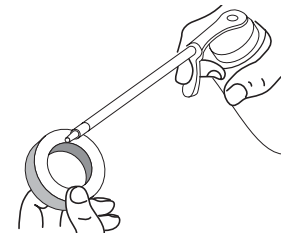


Fig. 20

5. Apriete el filtro para esparcir y retirar el exceso de aceite (Fig. 21).
6. Cambie el filtro de aire dentro de la tapa del filtro de aire / silenciador (Fig. 18).

Reinstalación de la cubierta del silenciador/ filtro de aire

1. Coloque la cubierta del silenciador / filtro de aire sobre la parte posterior del carburador y del silenciador. Alinee los orificios de los tornillos.
2. Inserte los cuatro (4) tornillos en los orificios de la cubierta del silenciador / filtro de aire (Fig. 17) y ajústelos. No los ajuste demasiado.

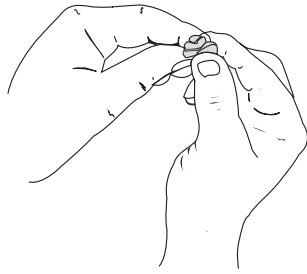


Fig. 21

NOTA: Cerciórese de que la Palanca roja EZ-Fire™ esté en posición alejada del bulbo cebador.

MANTENIMIENTO DEL PARACHISPAS

NOTA: El flujo de las emisiones puede ser en una dirección solamente: APARTÁNDOSE del motor. Preste mucha atención a cómo se ensambla el silenciador, de modo que lo pueda volver a armar exactamente como está. El no hacerlo así dañará a la unidad y pudiera causar lesiones personales graves.

1. Quite el filtro de aire / tapa del silenciador. Ver *Remoción de la Tapa del Filtro / Silenciador*.
2. Localice el silenciador, pero no lo quite. Busque los dos (2) tornillos en la parte inferior del silenciador (Fig. 22). Esta tornillo unen el conjunto de deflector de escape y la pantalla del parachispas a la parte inferior del silenciador. Quite el tornillo usando una llave torx No. 20 o un destornillador plano.

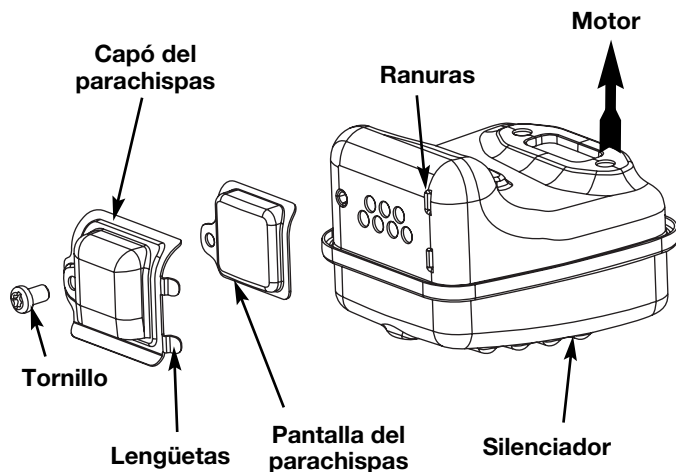


Fig. 22

3. Utilizando un pequeño destornillador plano, palanquee con cuidado hacia arriba la pantalla del parachispas del agujero encastrado, fijándose que la parte "levantada" de la pantalla del parachispas quede dentro del agujero encastrado. Retire la pantalla del parachispas del silenciador.

4. Limpie la rejilla del parachispas con un cepillo de cerdas metálicas. Cámbiela si está dañada o si no la puede limpiar completamente.
5. Vuelva a instalar la pantalla del parachispas colocando la parte "levantada" de la pantalla dentro del agujero empotrado del silenciador. Cerciórese de que la pantalla del parachispas quede plana contra el silenciador.
6. Coloque la placa del parachispas encima del parachispas con el lado "levantado" hacia arriba mirando al motor (Fig. 22).
7. Coloque el capó del parachispas encima de la placa del parachispas con el lado "levantado" hacia arriba y la apertura mirando en dirección CONTRARIA al motor (Fig. 22). Asegúrese de que el escape se dirija en dirección CONTRARIA al motor.
8. Vuelva a colocar el tornillo que quitó en el Paso 2 y apriételos firmemente.
9. Reinstale la tapa del filtro de aire / silenciador (Fig. 17).



ADVERTENCIA: Si el conjunto del deflector de emisiones no se aprieta fijamente se puede caer y causarle daño a la unidad y posibles lesiones personales graves.

AJUSTE DEL CARBURADOR

La velocidad lenta del motor puede ser ajustada por la cubierta del silenciador / filtro de aire (Fig. 23).

NOTA: Los ajustes realizados sin cuidado pueden dañar seriamente su unidad. Los ajustes del carburador deben ser realizados por un proveedor de servicio autorizado. Para más información, llame al **1-800-4-MY-HOME®**.

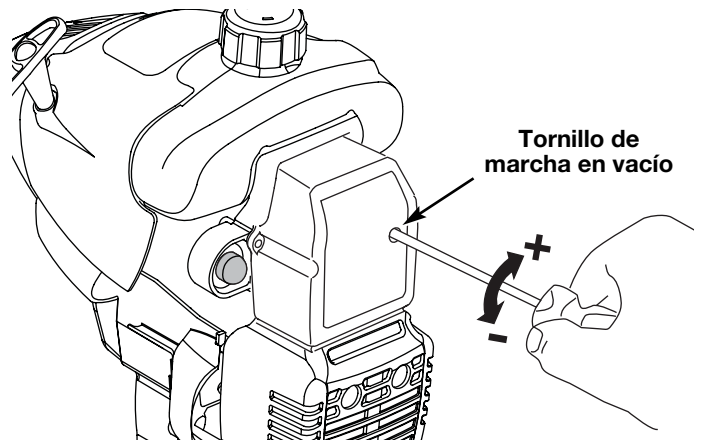


Fig. 23

Controle la mezcla del combustible

Una mezcla incorrecta o vieja de combustible es en general el motivo por el cual la unidad no funciona adecuadamente. Drene y vuelva a llenar el tanque con combustible nuevo y bien mezclado antes de hacer ningún ajuste. Consulte la *Información sobre Aceite y Combustible*.

Limpie el filtro de aire

La condición del filtro de aire es importante para la operación de la unidad. Un filtro de aire sucio limitará el flujo de aire y cambiará la mezcla de combustible y aire en el carburador. Esto con frecuencia se confunde con un carburador mal ajustado. Verifique la condición del filtro de aire antes de ajustar el tornillo de marcha lenta. Consulte *Mantenimiento del Filtro de Aire*.

Ajuste del tornillo de marcha lenta

Si luego de verificar la mezcla del combustible y limpiar el filtro de aire el motor aún no funciona en mínima, ajuste el tornillo de velocidad lenta de la siguiente manera.

1. Arranque el motor y déjelo funcionar en marcha lenta durante un minuto para calentarlo. Lea las *Instrucciones de arranque y apagado*.
2. Suelte el gatillo del regulador y deje que el motor funcione en marcha lenta. Si el motor se para, inserte un pequeño destornillador Phillips en el orificio de la cubierta del silenciador / filtro de aire (Fig. 23). Gire el tornillo de marcha lenta en **sentido horario**, de a 1/8 de vuelta por vez (según sea necesario) hasta que el motor funciona en mínima.
3. Si parece que el motor está funcionando demasiado rápido, gire el calibrador de velocidad de marcha en vacío hacia la izquierda 1/8 de giro a la vez (como sea necesario) para reducir la velocidad.

El control de la mezcla de combustible, la limpieza del filtro de aire y el ajuste del tornillo de marcha lenta deben resolver la mayoría de los problemas del motor.

De no ser así y si:

- El motor no funciona en mínima
- El motor fluctúa o se para al acelerar
- Existe una pérdida de fuerza motriz

Haga ajustar el carburador por Sears u otra agencia de servicio calificada. Para más información, llame al **1-800-4-MY-HOME®**.



ADVERTENCIA: El accesorio de corte puede estar girando durante los ajustes del carburador. Use ropa que lo proteja y cumpla con todas las instrucciones de seguridad para prevenir graves lesiones personales.

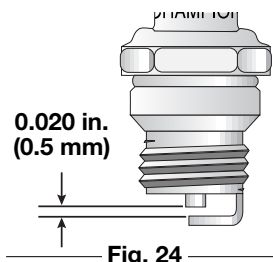
CAMBIO DE LA BUJÍA DE ENCENDIDO



PRECAUCIÓN: No limpie con chorro de arena, ni raspe ni limpie los electrodos. El motor podría dañarse si penetran pequeñas partículas en el cilindro.

Use una bujía de encendido Champion RDJ7Y (o similar). La separación correcta es de **0,5 mm (0,020 pulgadas)**. Retire la bujía luego de cada 25 horas de operación e inspeccione su estado.

1. Apague el motor y espere que se enfríe. Tome el alambre de la bujía con firmeza y sáquelo de la bujía de encendido.
2. Limpie alrededor de la bujía de encendido. Saque la bujía de encendido de la cabeza del cilindro girando una llave de casquillo de 5/8 de pulgada en sentido antihorario.
3. Cambie las bujías que estén rajadas, sucias o deterioradas. Fije la separación de aire a 0,5 mm (0,020 pulgadas) utilizando un calibrador (Fig. 24).
4. Instale una bujía de encendido con la separación correcta en la cabeza del cilindro. Ajuste girando la llave de casquillo de 5/8 pulg. en sentido horario hasta que esté ajustada sin huelgo.



Si usa una llave de torsión, ajuste a:

12,3-13,5 N•m (110-120 pulg.•libras) No ajuste demasiado.

5. Reate el cargador de la bujía.

TRANSPORTE

- Espere que el motor se enfríe antes de su transporte.
- Drene el combustible de la unidad.
- Ajuste la tapa del combustible antes del transporte.
- Asegure la unidad durante su transporte.

LIMPIEZA



ADVERTENCIA: Para evitar graves lesiones personales, apague siempre su recortador y espere que se enfríe antes de limpiarlo o realizar cualquier tipo de mantenimiento.

Use un cepillo pequeño para limpiar la parte exterior de la unidad. No use detergentes fuertes. Los limpiadores domésticos que contienen aceites aromáticos como pino y limón, y con solventes como el queroseno pueden dañar el bastidor de plástico y la manija. Seque toda la humedad con un paño suave.

ALMACENAMIENTO

- No guarde nunca la unidad con combustible en el tanque donde los vapores puedan llegar a una llama o chispa.
- Espere que el motor se enfríe antes de guardar la unidad.
- Guarde la unidad bajo llave para prevenir el uso por personas no autorizadas y su daño.
- Guarde la unidad en un área seca y bien ventilada.
- Guarde la unidad fuera del alcance de los niños.

ALMACENAMIENTO PROLONGADO



PRECAUCIÓN: Deseche la mezcla vieja de combustible y aceite de acuerdo a las regulaciones federales, estatales y locales.

Si planea guardar la unidad durante un largo período de tiempo, siga el siguiente procedimiento para su almacenamiento.

1. Drene todo el combustible del tanque de combustible en un recipiente que contenga la misma mezcla de combustible de 2 ciclos. No use combustible que haya permanecido guardado durante más de 60 días.
 2. Arranque el motor y déjelo funcionar hasta que se ahogue. Esto asegura que todo el combustible ha sido drenado del carburador.
 3. Espere que el motor se enfríe. Retire la bujía de encendido y coloque alrededor de 30 ml (1 onza) de cualquier aceite para motor de 2 ciclos de buena calidad dentro del cilindro. Tire de la cuerda de arranque lentamente para esparcir el aceite. Vuelva a instalar la bujía de encendido.
- NOTA:** Saque la bujía de encendido y drene todo el aceite del cilindro antes de intentar arrancar el recortador después de su almacenamiento.
4. Limpie bien la unidad e inspeccione para ver si existen partes flojas o dañadas. Repare o cambie las partes dañadas y ajuste los tornillos, tuercas o pernos que puedan estar flojos. La unidad está ahora lista para ser guardada.

RESOLUCION DE PROBLEMAS

EL MOTOR NO ARRANCA

CAUSA

El tanque de combustible está vacío
 La bombilla de cebado no fue oprimida lo suficiente
 El motor está inundado
 El combustible es viejo o está mal mezclado
 La bujía de encendido está arruinada
 Parachispas obstruido
 La temperatura exterior es por debajo de 4° C (40° F)
 La temperatura exterior es de más de 32° C (90° F)

ACCIÓN

Llene el tanque con combustible bien mezclado
 Oprima la bombilla de cebado total de 10 veces
 Use el procedimiento de arranque
 Drene el tanque con combustible/Agregue mezcla de combustible nueva
 Cambie o limpie la bujía de encendido
 Limpie o cambie el parachispas
 Hale el cordón de arranque hasta un máximo de 10-15 veces
 Oprima el control del regulador y hale el cordón de arranque

EL MOTOR NO FUNCIONA EN MINIMA

CAUSA

El filtro de aire está obstruido
 El combustible es viejo o está mal mezclado
 El carburador no está ajustado en forma correcta

ACCIÓN

Cambie o limpie el filtro de aire
 Drene el tanque con combustible/Agregue mezcla de combustible nueva
 Ajuste según las instrucciones

EL MOTOR NO ACELERA

CAUSA

El combustible es viejo o está mal mezclado
 El carburador no está ajustado en forma correcta

 El accesorio de corte está atascado de hierba
 El filtro de aire está sucio
 Parachispas obstruido

ACCIÓN

Drene el tanque con combustible/Agregue mezcla de combustible nueva
 Lleve la unidad a un proveedor de servicio autorizado para hacer un ajuste de carburador
 Pare el motor y limpie el accesorio de corte
 Limpie o cambie el filtro de aire
 Limpie o cambie el parachispas

EL MOTOR NO TIENE SUFICIENTE POTENCIA O SE AHOGA AL CORTAR

CAUSA

El combustible es viejo o está mal mezclado
 El carburador no está ajustado en forma correcta

 La bujía de encendido está arruinada
 Parachispas obstruido

ACCIÓN

Drene el tanque con combustible/Agregue mezcla de combustible nueva
 Lleve la unidad a un proveedor de servicio autorizado para hacer un ajuste de carburador
 Cambie o limpie la bujía de encendido
 Limpie o cambie el parachispas

NOTA: Para reparaciones más allá de los pequeños ajustes recién mencionados, comuníquese con su centro de Piezas y Reparaciones de Sears más cercano (**1-800-4-MY-HOME**[®]) u otra agencia de servicio calificada.

ESPECIFICACIONES

MOTOR*

Tipo de motor	Enfriado por aire, de 2 ciclos
Carrera	31,75 mm (1,25 pulg.)
Desplazamiento	31 cm ³ (1,9 pulg ³)
R.P.M. de velocidad mínima	2.800 - 3.600 r.p.m.
R.P.M. de operación (Recortador).....	7.200+ r.p.m.
Tipo de encendido	Electrónico-MAX FIRE IGNITION™
Interruptor de encendido	Interruptor oscilante
Separación de la bujía de encendido	0,5 mm (0,020 pulg.)
Bujía de encendido	Champion RDJ7Y o bujía similar
Lubricación.....	Mezcla de combustible y aceite
Proporción de combustible - aceite	40:1
Carburador	Diafragma, multiposicional
Arranque.....	Incredi-Pull™
Silenciador	Desviado con protección
Regulador	Retroceso manual a resorte
Capacidad del tanque de combustible	384 ml (13 onzas)

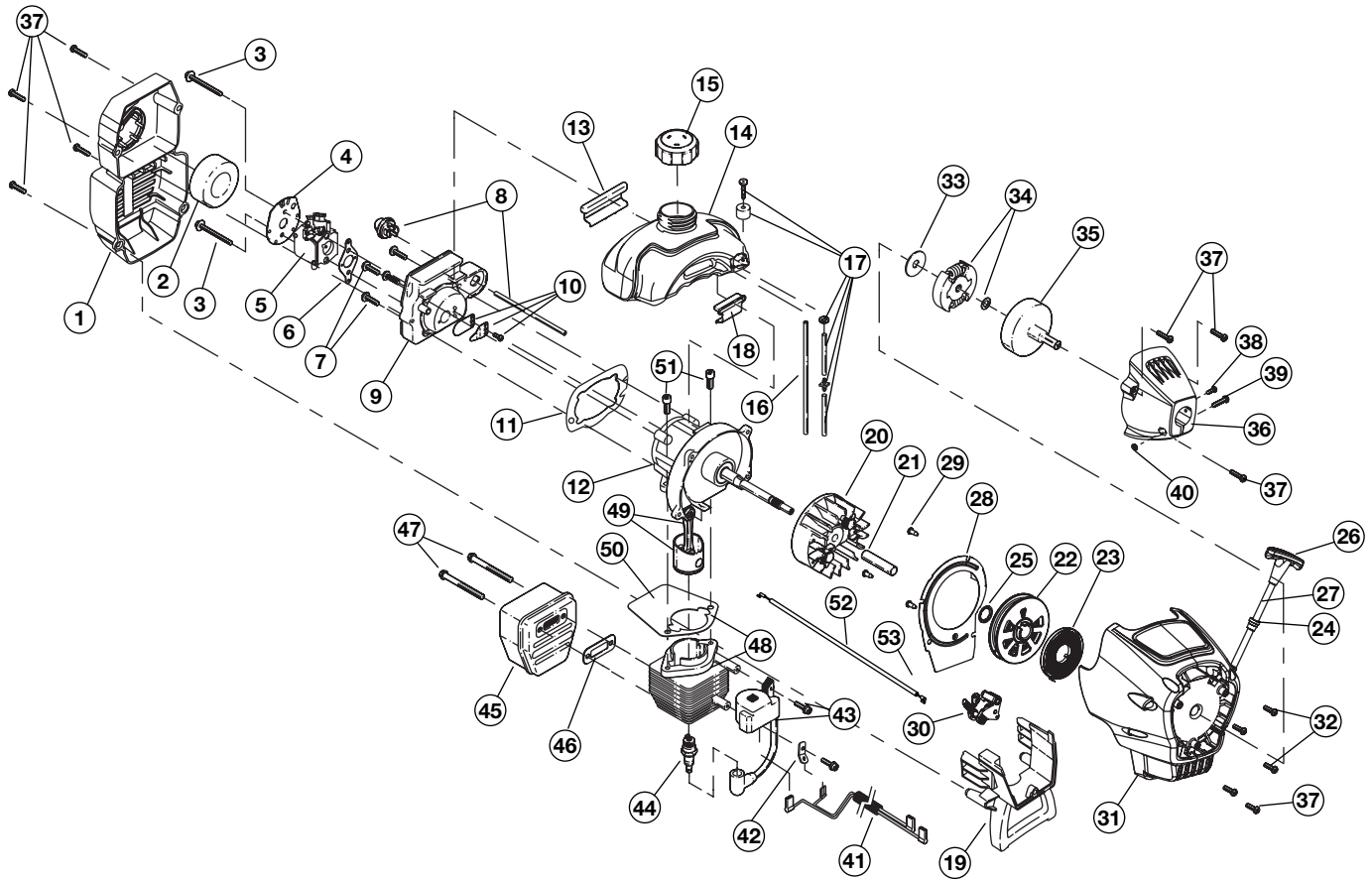
EJE IMPULSOR Y ACCESORIO DE CORTE*

Bastidor del eje impulsor	Tubo de acero (Twist and Edge™)
Control del regulador.....	Gatillo para el dedo
Peso de la unidad (sin combustible, con la manija en D, protector accesorio de corte y Hassle Free IV [®]).....	6 kg (14 libras)
Mecanismo de corte	Cabeza de Hassle Free IV™
Diámetro de la bobina de línea	Línea Espiral Hassle Free IV™ XTRA QUIET
Diámetro de la trayectoria de corte.....	40,64 cm (16 pulg.)

*Toda las especificaciones contenidas en este manual se basan en la información más reciente disponible en el momento de impresión del manual. Nos reservamos el derecho de hacer cambios en cualquier momento sin aviso previo.

PARTS LIST

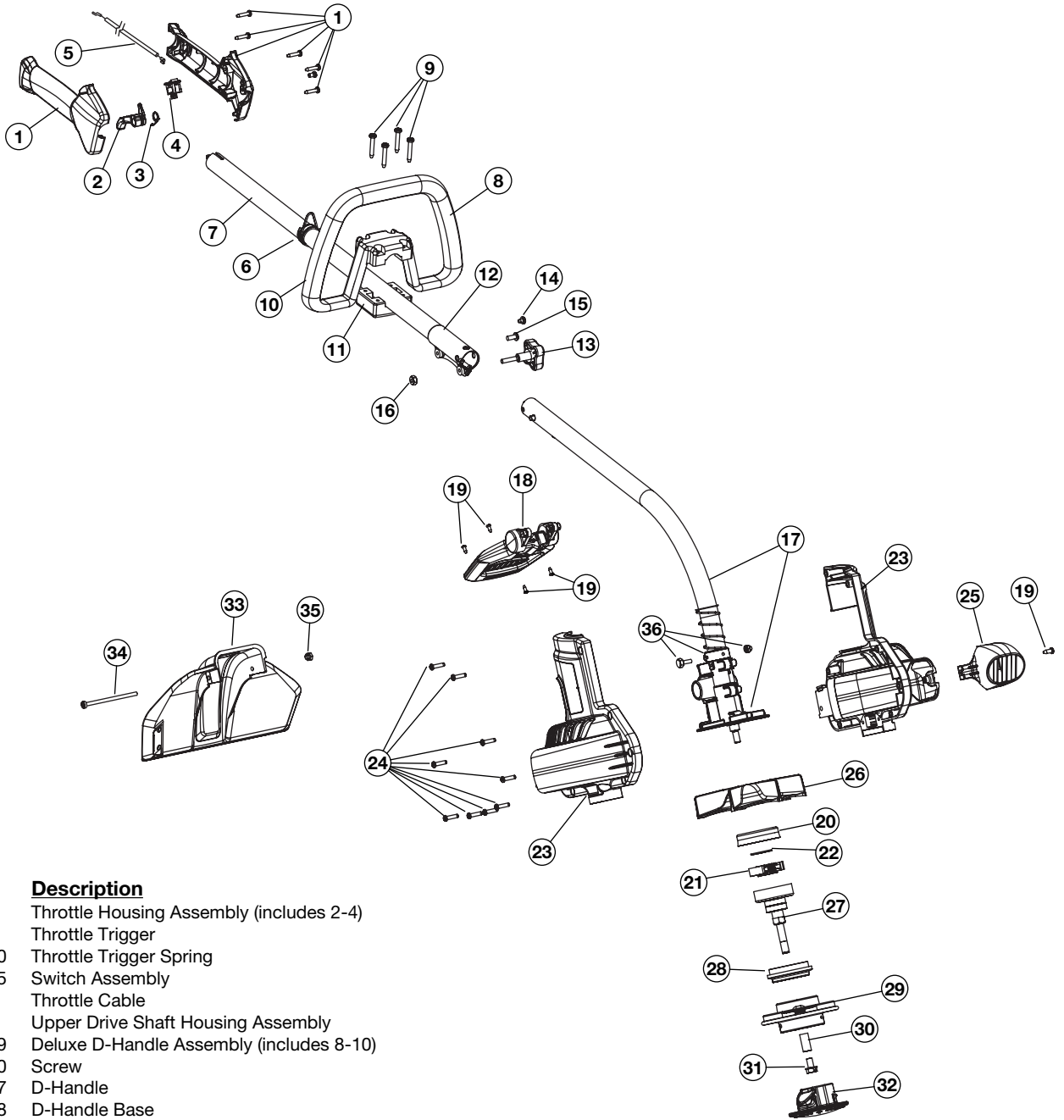
ENGINE PARTS - MODEL 791920 2-CYCLE GAS TRIMMER / BLOWER



Item	Part No.	Description	Item	Part No.	Description
1	753-05214	Air Cleaner Assembly (includes 2 & 37)	31	753-05225	Starter Housing Assembly (includes 22-30, 32, 37 & 52)
2	791-180350B	Air Cleaner Filter	32	791-181862	Housing Screw
3	791-180351	Carburetor Mounting Screw Assembly	33	791-182396	Clutch Washer
4	753-05216	Choke Plate	34	791-182369	Clutch Rotor Assembly
5	753-05215	Carburetor Assembly (includes 6 & 17)	35	791-153592	Clutch Drum Assembly
6	791-610675	Carburetor Gasket	36	753-04497	Clutch Cover Assembly (includes 37-40)
7	791-181860	Carb Mount Screw	37	791-181345	Cover Screw
8	791-683974B	Primer and Hose Assembly	38	791-182519	Anti-Rotation Screw
9	753-05217	Carb Mount Assembly (includes 7, 10 & 11)	39	753-04003	Clamping Screw
10	791-684451	Reed Assembly	40	791-180217	Clamping Nut
11	753-1208	Carburetor Mount Gasket	41	753-05025	Wire Leads and Sleeve
12	753-05316	Crank Case Service Assembly (includes 7)	42	791-611063	Ground Tab
13	791-612134	Rear Mounting Pad	43	753-05226	Module Assembly (includes 42)
14	753-04606	Fuel Tank Assembly (includes 15-17)	44	791-610311B	Spark Plug
15	791-181803	Fuel Cap Assembly	45	753-05169	Muffler Assembly (includes 46, 47 & Spark Arrestor)
16	791-181086	Fuel Return Line	46	753-04619	Exhaust Gasket
17	753-05219	Fuel Line Assembly	47	753-04620	Muffler Mounting Bolt Assembly
18	791-145308	Front Mounting Pad	48	753-04814	Cylinder Assembly (includes 50 & 51)
19	753-05091	Shroud Extension & Stand (includes 37)	49	753-04367	Piston and Rod Assembly
20	791-182736	Flywheel Assembly	50	753-04182	Cylinder Gasket
21	791-181525	Spacer	51	791-182723	Cylinder Bolt
22	753-05220	Recoil Pulley Assembly (includes 25)	52	753-05222	ACL Throttle Cable
23	753-04286	Recoil Spring	53	791-182474	Screw
24	753-1200	Rope Guide	*	753-1209	Piston Ring Set
25	753-04288	Palnut	*	753-05227	Short Block Assembly (includes 12, 44 & 48-51)
26	753-05011	Pull Handle	*	791-181599	Clutch Springs (Qty. 2)
27	753-05223	Rope			
28	753-05224	Pressure Plate Assembly (includes 29)			
29	753-1202	Plate Screw			
30	753-05221	ACL Lever Assembly (includes 53)			
			*		Items Not Shown

PARTS LIST

**BOOM & TRIMMER PARTS - MODEL 791920
2-CYCLE GAS TRIMMER / BLOWER**



Item	Part No.	Description
1	753-04234	Throttle Housing Assembly (includes 2-4)
2	753-04119	Throttle Trigger
3	791-182690	Throttle Trigger Spring
4	791-182405	Switch Assembly
5	753-05222	Throttle Cable
6	753-04236	Upper Drive Shaft Housing Assembly
7	791-180869	Deluxe D-Handle Assembly (includes 8-10)
8	791-181070	Screw
9	791-182167	D-Handle
10	791-182168	D-Handle Base
11	753-1190	Split Boom Coupler (includes 12-15)
12	791-181981	Adjustment Knob (includes 15)
13	791-182057	Screw
14	791-181617	Bolt
15	753-04386	Nut
16	753-05272	Lower Drive Shaft Housing Assembly
17	753-05258	Handle Shaft Assembly (includes 18)
18	753-1202	Screw
19	753-05233	Clutch Drum Container
20	753-05257	Clutch Assembly
21	791-182396	Washer
22	753-05273	Housing Assembly (includes 23)
23	753-05274	Screw
24	753-05275	Nozzle

Item	Part No.	Description
25	753-05276	Impeller
26	753-05277	Clutch Drum Assembly w/Spool Shaft
27	753-05278	Adapter
28	753-05279	Cutting Head Assembly
29	753-05280	Spacer
30	753-05281	Bolt
31	753-05036	Cap
32	753-05282	Guard Assembly w/Blade (includes 33 & 34)
33	753-05283	Screw
34	791-180297	Nut
35	791-153597	Clamp

Repair Protection Agreements

Congratulations on making a smart purchase. Your new Craftsman® product is designed and manufactured for years of dependable operation.

But like all products, it may require repair from time to time. That's when having a Repair Protection Agreement can save you money and aggravation.

Purchase a Repair Protection Agreement now and protect yourself from unexpected hassle and expense.

Here's what's included in the Agreement:

- ☑ **Expert service** by our 12,000 professional repair specialists
- ☑ **Unlimited service and no charge** for parts and labor on all covered repairs
- ☑ **Product replacement** if your covered product can't be fixed
- ☑ **Discount of 10%** from regular price of service and service-related parts not covered by the agreement; also, 10% off regular price of preventive maintenance check
- ☑ **Fast help by phone** – phone support from a Sears technician on products requiring in-home repair, plus convenient repair scheduling

Once you purchase the Agreement, a simple phone call is all that it takes for you to schedule service. You can call anytime day or night, or schedule a service appointment online.

Sears has over 12,000 professional repair specialists, who have access to over 4.5 million quality parts and accessories. That's the kind of professionalism you can count on to help prolong the life of your new purchase for years to come. Purchase your Repair Protection Agreement today!

Some limitations and exclusions apply.

For prices and additional information call **1-800-827-6655**.

Sears Installation Service

For Sears professional installation of home appliances, garage door openers, water heaters, and other major home items, in the U.S.A. call **1-800-4-MY-HOME®**

Convenios de Cobertura de Gastos para Reparaciones

Felicidades por haber hecho una compra inteligente. Su nuevo producto Craftsman está diseñado y fabricado para que opere de manera confiable durante años. Pero como todos los productos, pudiera necesitar una reparación cada cierto tiempo. Por eso el tener un Convenio de Cobertura de Gastos para Reparaciones puede ahorrarle dinero y disgustos.

Adquiera un Convenio de Cobertura de Gastos para Reparaciones ahora y protéjase de problemas y gastos inesperados.

He aquí lo que incluye el Convenio:

- **Servicio proporcionado** por nuestros 12.000 especialistas expertos en reparaciones profesionales
- **Servicio ilimitado sin cargos** por piezas ni mano de obra, en todas las reparaciones cubiertas
- **Reemplazo del producto**, si sus productos cubiertos no pueden arreglarse
- **Descuento del 10%** del precio regular del servicio y de piezas relacionadas con el servicio no cubiertas por el convenio; además, descuento del 10% del precio regular de los cheques de mantenimiento preventivo
- **Ayuda rápida por teléfono:** apoyo telefónico por parte de un técnico de Sears en los productos que requieren reparación en el hogar, además de la programación de la reparación a una hora conveniente

Una vez que usted adquiera el Convenio, basta con una llamada telefónica para programar el servicio. Usted puede llamar a cualquier hora del día o de la noche, o programar por Internet una cita para el servicio.

Sears tiene más de 12.000 especialistas en reparaciones profesionales, que tienen acceso a más de 4,5 millones de piezas y accesorios de calidad. Ese es el tipo de profesionalismo con el que usted puede contar para ayudar a prolongar la vida útil de su nueva adquisición durante años. ¡Adquiera hoy mismo su Convenio de Cobertura de Gastos para Reparaciones!

Se aplican algunas limitaciones y exclusiones. Para precios e información adicional, llame al 1-800-827-6655.

Servicio de Instalación de Sears

Para la instalación por parte de profesionales de Sears de efectos electrodomésticos; abridores de puertas de garaje, calentadores de agua y demás artículos domésticos de mayor cuantía, en los EE.UU., llame al **1-800-4-MY-HOME®**.

Get it fixed, at your home or ours!

Your Home

For repair—in **your home**—of all major brand appliances, lawn and garden equipment, or heating and cooling systems, **no matter who made it, no matter who sold it!**

For the replacement parts, accessories and owner's manuals that you need to do-it-yourself.

For Sears professional installation of home appliances and items like garage door openers and water heaters.

1-800-4-MY-HOME® (1-800-469-4663)

Call anytime, day or night (U.S.A. and Canada)

www.sears.com

www.sears.ca

Our Home

For repair of carry-in items like vacuums, lawn equipment, and electronics, call or go on-line for the location of your nearest

Sears Parts & Repair Center

1-800-488-1222

Call any time, day or night (U.S.A. only)

www.sears.com

To purchase a protection agreement (U.S.A.) or maintenance agreement (Canada) on a product serviced by Sears:

1-800-827-6655 (U.S.A.)

1-800-361-6665 (Canada)

Para pedir servicio de reparación a domicilio, y para ordenar piezas:

1-800-SU-HOGAR®

(1-888-784-6427)

Au Canada pour service en français:

1-800-LE-FOYER^{MC}

(1-800-533-6937)

www.sears.ca



® Registered Trademark / ™ Trademark / SM Service Mark of Sears Brands, LLC

® Marca Registrada / ™ Marca de Fábrica / SM Marca de Servicio de Sears Brands, LLC

MC Marque de commerce / MC Marque déposée de Sears Brands, LLC

Free Manuals Download Website

<http://myh66.com>

<http://usermanuals.us>

<http://www.somanuals.com>

<http://www.4manuals.cc>

<http://www.manual-lib.com>

<http://www.404manual.com>

<http://www.luxmanual.com>

<http://aubethermostatmanual.com>

Golf course search by state

<http://golfingnear.com>

Email search by domain

<http://emailbydomain.com>

Auto manuals search

<http://auto.somanuals.com>

TV manuals search

<http://tv.somanuals.com>