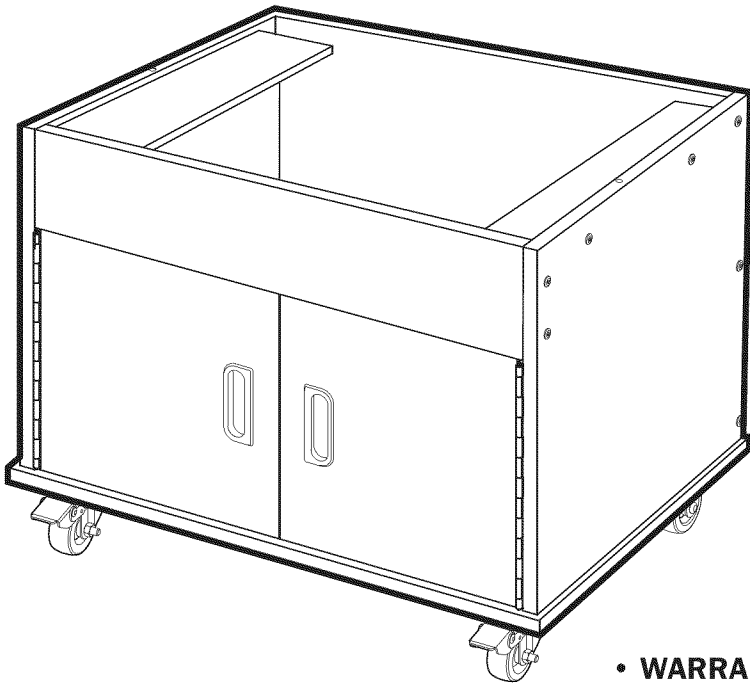


Operator's Manual



Craftsman Premium Router Table Base Cabinet

Model No. 320.3761



▲ WARNING: To reduce the risk of injury, the user must read and understand the Operator's Manual before using this product.

- WARRANTY
- SAFETY
- DESCRIPTION
- UNPACKING
- ASSEMBLY
- MAINTENANCE

Sears Brands Management Corporation, Hoffman Estates,
IL 60179 U.S.A.

www.craftsman.com

TABLE OF CONTENTS

Warranty	Page 2
Safety Symbols	Pages 4-5
Safety Instructions	Page 6
Description	Page 7
Unpacking	Pages 8-10
Assembly	Pages 11-17
Maintenance	Page 18
Part List	Pages 18-19

CRAFTSMAN ONE YEAR LIMITED WARRANTY

FOR ONE YEAR from the date of purchase, this product is warranted against any defects in material or workmanship. With proof of purchase, a defective product will be replaced free of charge.

For warranty coverage details to obtain free replacement, visit the web site: www.craftsman.com

This warranty is void if this product is ever used while providing commercial services or if rented to another person.

This warranty gives you specific legal rights, and you may also have other rights which vary from state to state.

Sears Brands Management Corporation, Hoffman Estates, IL 60179

This cabinet has many features for making its use more pleasant and enjoyable. Safety, performance, and dependability have been given top priority in the design of this product making it easy to maintain and operate.

SAVE THESE INSTRUCTIONS!

READ ALL INSTRUCTIONS!

⚠ WARNING: Some dust created by power sanding, sawing, grinding, drilling and other construction activities contains chemicals known to the State of California to cause cancer, birth defects or other reproductive harm. Some examples of these chemicals are:

- Lead from lead-based paints,
- Crystalline silica from bricks and cement and other masonry products, and
- Arsenic and chromium from chemically-treated lumber.

Your risk from these exposures varies, depending on how often you do this type of work. To reduce your exposure to these chemical: work in a well ventilated area, and work with approved safety equipment, such as dust masks that are specially designed to filter out microscopic particles.

SAFETY SYMBOLS

The purpose of safety symbols is to attract your attention to possible dangers. The safety symbols and the explanations with them deserve your careful attention and understanding. The symbol warnings do not, by themselves, eliminate any danger. The instructions and warnings they give are no substitutes for proper accident prevention measures.

⚠ WARNING: Be sure to read and understand all safety instructions in this Operator's Manual, including all safety alert symbols such as "**DANGER**," "**WARNING**," and "**CAUTION**" before using this tool. Failure to following all instructions listed below may result in electric shock, fire, and/or serious personal injury.

SYMBOL MEANING

SAFETY ALERT SYMBOL: Indicates **DANGER**, **WARNING**, or **CAUTION**. May be used in conjunction with other symbols or pictographs.

⚠ DANGER: Indicates an imminently hazardous situation, which, if not avoided, will result in death or serious injury.

⚠ WARNING: Indicates a potentially hazardous situation, which, if not avoided, could result in death or serious injury.

⚠ CAUTION: Indicates a potentially hazardous situation, which, if not avoided, could result in minor or moderate injury.

Damage Prevention and Information Messages

These inform the user of important information and/or instructions that could lead to equipment or other property damage if they are not followed. Each message is preceded by the word "NOTICE," as in the example below:

NOTICE: Equipment and/or property damage may result if these instructions are not followed.










⚠ WARNING: To ensure safety and reliability, all repairs should be performed by a qualified service technician.



⚠ WARNING: The operation of any power tools can result in foreign objects being thrown into your eyes, which can result in severe eye damage. Before beginning power tool operation, always wear safety goggles or safety glasses with side shields and a full face shield when needed. We recommend a Wide Vision Safety Mask for use over eyeglasses or standard safety glasses with side shields. Always use eye protection which is marked to comply with ANSI Z87.1.

SAVE THESE INSTRUCTIONS

Some of the following symbols may be used on this base cabinet. Please study them and learn their meaning. Proper interpretation of these symbols will allow you to operate the base cabinet better and more safely.

SYMBOL	NAME	DESIGNATION/EXPLANATION
V	Volts	Voltage
A	Amperes	Current
Hz	Hertz	Frequency (cycles per second)
W	Watt	Power
min	Minutes	Time
	Alternating Current	Type of current
	Direct Current	Type or a characteristic of current
n_0	No Load Speed	Rotational speed, at no load
	Class II Construction	Double-insulated construction
.../min	Per Minute	Revolutions, strokes, surface speed, orbits, etc., per minute
	Wet Conditions Alert	Do not expose to rain or use in damp locations.
	Read The Operator's Manual	To reduce the risk of injury, user must read and understand operator's manual before using this product.
	Eye Protection	Always wear safety goggles or safety glasses with side shields and a full face shield when operating this product.
	Safety Alert	Precautions that involve your safety.
	No-Hands Symbol	Failure to keep your hands away from the blade will result in serious personal injury.
	No-Hands Symbol	Failure to keep your hands away from the blade will result in serious personal injury.
	No-Hands Symbol	Failure to keep your hands away from the blade will result in serious personal injury.
	No-Hands Symbol	Failure to keep your hands away from the blade will result in serious personal injury.
	Hot Surface	To reduce the risk of injury or damage, avoid contact with any hot surface.

SAFETY INSTRUCTIONS

GENERAL SAFETY RULES

⚠ WARNING: Read and understand all instructions. Failure to follow all instructions in this Operator's Manual may result in electric shock, fire, and/or serious personal injury.

Save all warnings and instructions for future reference.

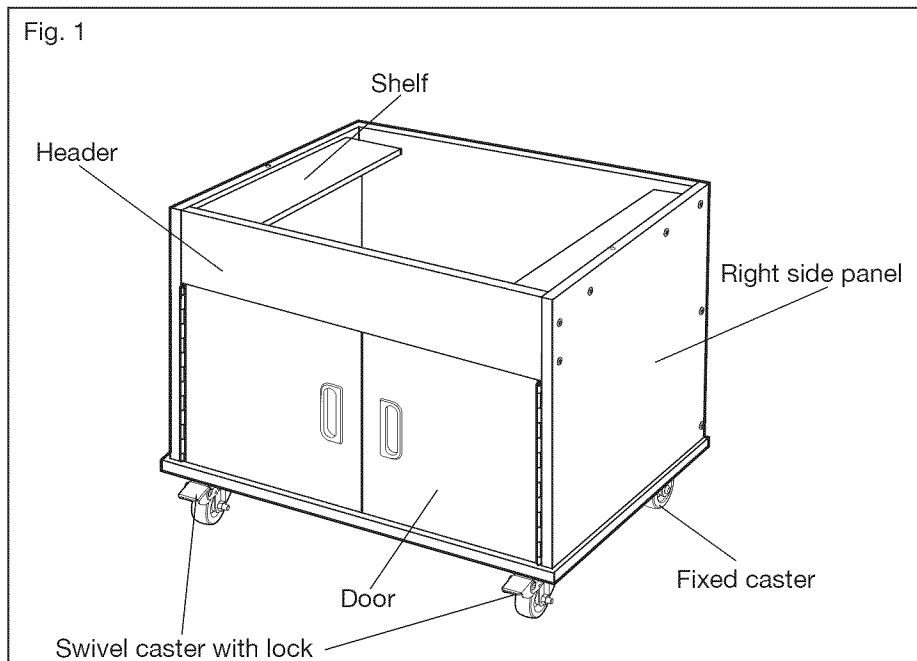
READ AND SAVE THESE INSTRUCTIONS

⚠ CAUTION: Do not modify or use this base cabinet for any application other than that for which it was designed.

- **Keep children away.** Keep the work area clean and dry.
- **Do not load the base cabinet with more than 100 lbs.**
- **Place the base cabinet on a flat surface before placing a router table or other item on the base cabinet.**
- **Never stand or sit on the base cabinet or place the tools other than that for which it was designed on the base cabinet.**
- **Unplug any power tool before moving.**
- **Do not permit children to use the base cabinet unsupervised.** It is not a toy.
- **Be sure that all locking bolts and nuts are securely tightened before using your base cabinet.**
- **When moving, always push on the base cabinet not the power tool or other item on the base cabinet.**

DESCRIPTION

KNOW YOUR TOP ROUTER-TABLE BASE CABINET (Fig. 1)



PRODUCT SEPCIFICATIONS

Overall Dimension (L*W*H)	26 in. x 18 in. x 21 in.
Base Cabinet Weight	43.4 lb.

⚠ WARNING: Use only with Craftsman Premium Die Cast Aluminum Router Table (37610).

UNPACKING

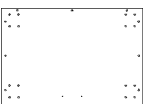




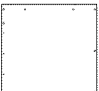
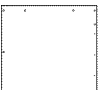

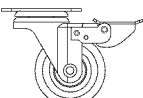
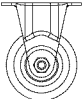
⚠ WARNING: Do not attempt to modify this tool or create accessories not recommended for use with this cabinet. Any such alteration or modification is misuse and could result in a hazardous condition leading to serious injury.


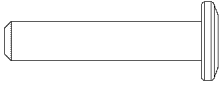
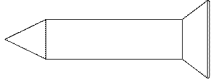


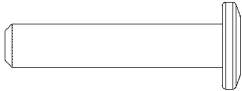
⚠ WARNING: To prevent accidental starting that could cause serious personal injury, always unplug the tool from the power source when assembling parts.

UNPACKING

- Carefully remove all accessories from the carton. Make sure that all items listed in the packing list are included.
- Inspect the cabinet carefully to make sure that no breakage or damage occurred during shipping.
- Do not discard the packing material until you have carefully inspected and satisfactorily operated the cabinet.
- If any parts are damaged or missing, please return the product to the place of purchase.

PACKAGE CONTENTS AND HARDWARE (Fig. 2)

Item	Image	Description	Quantity
A		Bottom panel	1
B		Header	1
C		Back panel	1
D		Right door (with hinge and latch attached)	1
E		Left door (with hinge and latch attached)	1
F		Left side panel	1
G		Right side panel (note the rating label on this piece)	1
H		Shelf	2
I		Swivel caster with lock	2
J		Fixed caster	2

K		Caster locking nut (M6)	16
M		Locking bolt (M6*L30)	39
N-1		Philips tapping screw (ST4.2*L16)	8
N-2		Tapping screw (ST3.5*L16)	2
O		Door magnet	1
P		Pan-head screw (M6*L35)	2

ASSEMBLY

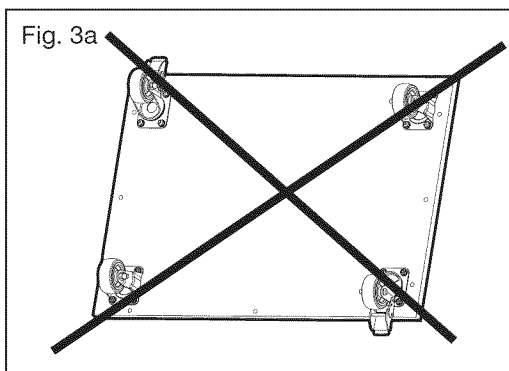
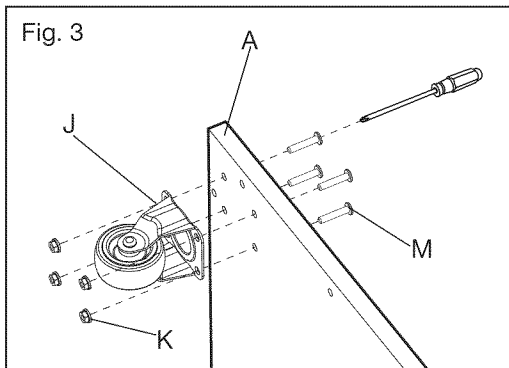
ASSEMBLE THE BASE CABINET

1. Mount the fixed casters underneath the base cabinet

NOTICE: Ensure that the fixed casters (J) are never diagonally opposed to each other. The assembly in Fig. 3a is incorrect and will interfere with the base cabinet's mobility.

NOTICE: Mount both fixed casters (J) on one of the long sides of the bottom panel (A). See Fig. 4a.

- 1) Place the bottom panel (A) on its side on a flat surface.
- 2) Align the holes in the fixed casters (J) with the holes in the bottom panel.
- 3) Slide the locking bolts (M) through the holes and hand tighten the caster locking nuts (K) onto the bolts. Use a Philips screwdriver (not supplied) to securely tighten the bolts and nuts together. See Fig. 3.
- 4) Repeat steps 2-3 to attach the other fixed caster.



2. Mount the swivel casters underneath the base cabinet

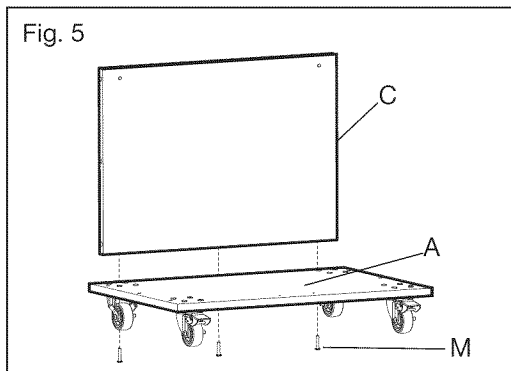
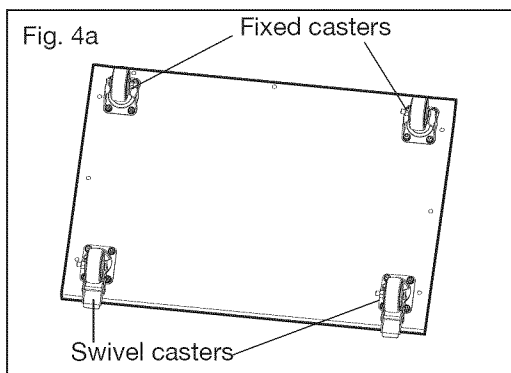
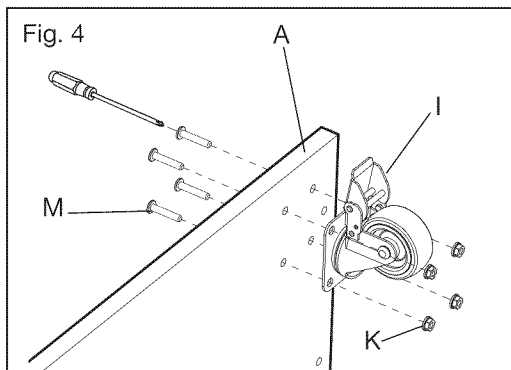
- 1) Place the bottom panel (A) on its side on a flat surface.
- 2) Align the holes in the swivel casters (I) with the holes in the bottom panel (A).
- 3) Slide the locking bolts (M) through the holes and hand tighten the caster locking nuts (K) onto the bolts. Use a Philips screwdriver (not supplied) to securely tighten the bolts and nuts together. See Fig. 4.
- 4) Repeat steps 2-3 to attach the other swivel caster.

⚠ WARNING: Make sure that the swivel casters (I) and the fixed casters (J) are fully tightened. A loose caster could cause personal injury.

NOTICE: After the swivel casters are completely mounted, set the foot pedal in the lower position to prevent the casters from moving (Fig. 12).

3. Mount the back panel (Fig. 5)

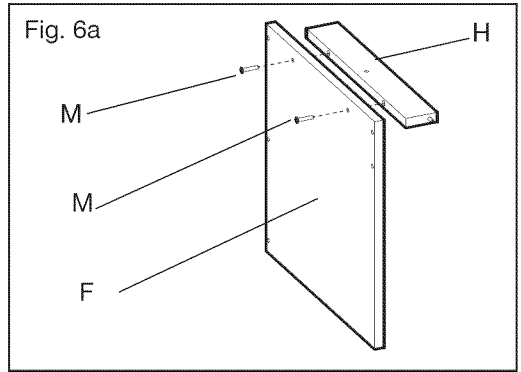
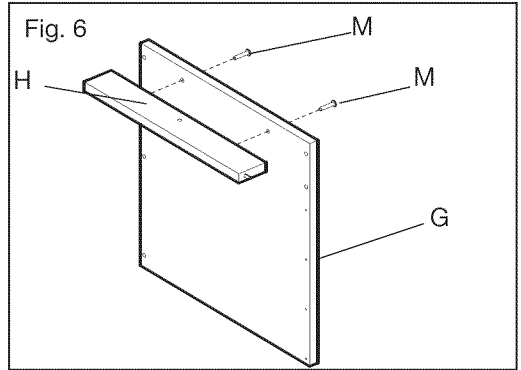
- 1) Place the back panel (C) onto the bottom panel (A) at a 90 degree angle (Fig. 5).
- 2) Align the holes in the side of the bottom panel (A) with the holes of the back panel (C).
- 3) From underneath the bottom panel (A), insert the locking bolts (M) into the holes, through the bottom panel (A) and the back panel (C), and tighten them with a Philips screwdriver (not supplied).



4. Attach the shelves

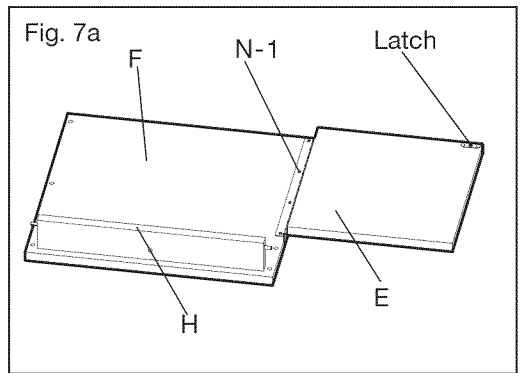
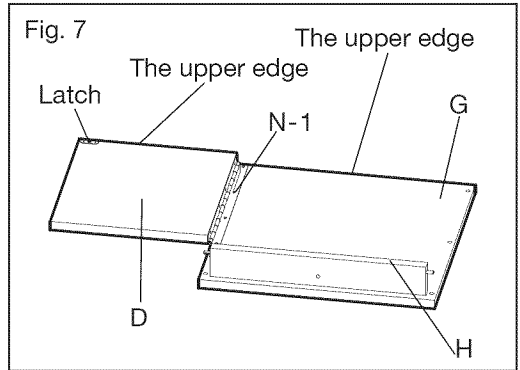
- 1) Use the locking bolts (M) to attach the shelf (H) to the right side panel (G) with a Philips screwdriver (not supplied) (Fig. 6).
- 2) Attach the shelf to the left side panel (F) the same way (Fig. 6a).

NOTICE: Make sure the nameplate on the right side panel (G) is always facing outwards.



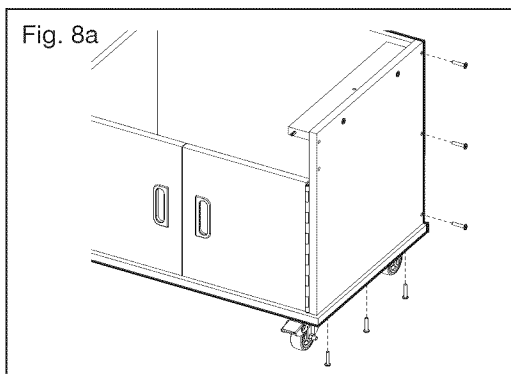
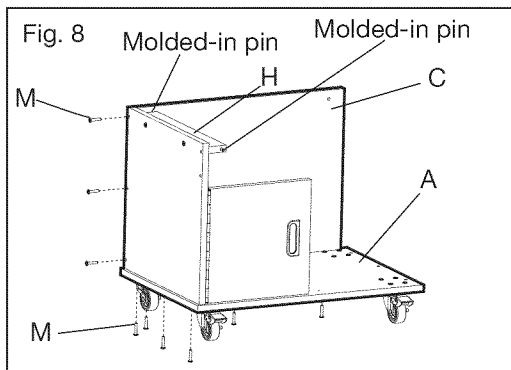
5. Joining the right side panel and the right door

- 1) With shelf (H) facing upwards, place the right side panel (G) assembly on a flat surface (Fig. 7).
- 2) Place the right door with the latch facing upwards, and then align the holes of the hinge with the holes in the right side panel (G) (Fig. 7).
- 3) Place the tapping screws (N-1) through the holes of the hinge, and then tighten the tapping screws (N-1) into the right side panel (G) with a Philips screwdriver (not supplied).
- 4) Assemble the left side panel (F) with the left door (E) the same way (Fig. 7a).



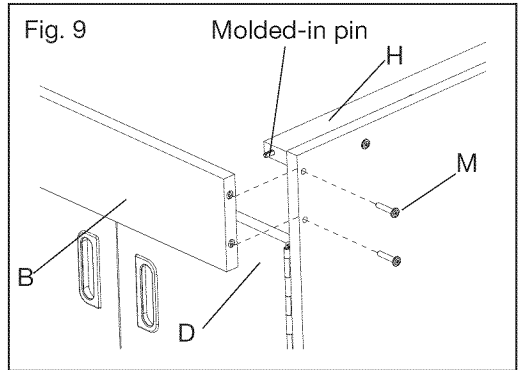
6. Assemble the left side panel assembly with the bottom panel assembly

- 1) Place the left side panel assembly onto the bottom panel assembly (Fig. 8).
- 2) Insert the molded-in pin on shelf (H) into the back panel (C) (Fig. 8).
- 3) Tighten the left side panel assembly and the bottom panel assembly together with the locking bolts (M) using a Philips screwdriver (not supplied) (Fig. 8).
- 4) Assemble the right side panel assembly the same way (Fig. 8a).



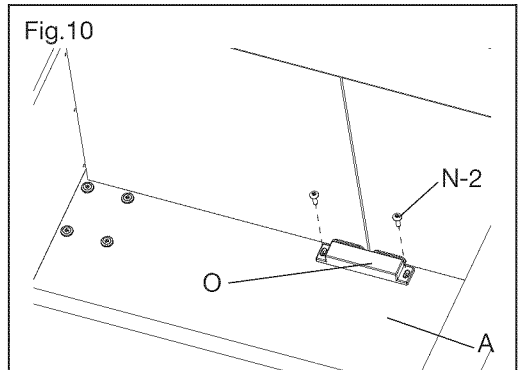
7. Attach the header (Fig. 9)

- 1) Insert the molded-in pin in shelf (H) into the header (B).
- 2) Slide the locking bolts (M) through the right side panel (G) into the header (B), and tighten them with a Philips screwdriver (not supplied).
- 3) Attach header (B) to the left side panel (F) the same way.



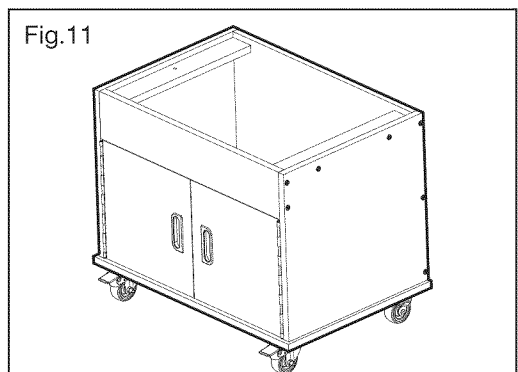
8. Mount the door magnet (Fig. 10)

- 1) Place the door magnet (O) onto the bottom panel (A).
- 2) Align the holes in the bottom panel (A) with the holes of the door magnet (O).
- 3) Place the tapping screws (N-2) through the holes.
- 4) Tighten the screws (N-2) with a Philips screwdriver (not supplied).



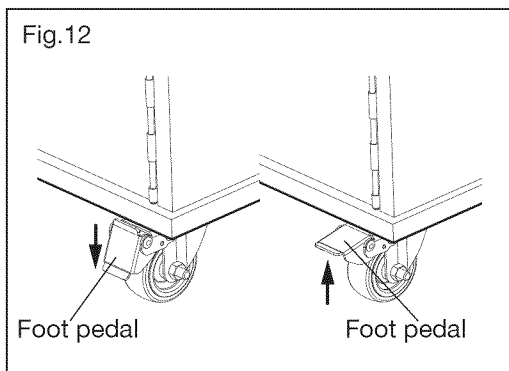
NOTICE: After the door magnet has been assembled, close the door to make sure that the latch makes good contact with the door magnet. Without the magnet, the door will not close well. If the magnet does not fully contact the door, adjust the magnet to proper position to fit the latch on the door.

9. The base cabinet is now fully assembled (Fig. 11).



MOVE THE BASE CABINET (FIG. 12)

1. After assembling the base cabinet, place it on a flat surface.
2. Release the swivel casters by lifting the foot pedal up.
3. Push the base cabinet to the desired location.
4. Depress the foot pedal to lock the casters.

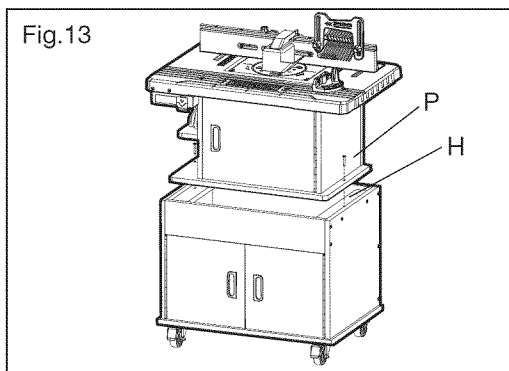


MOUNTING ROUTER TABLE ONTO THE BASE CABINET

▲ WARNING: Use only with Craftsman Premium Die Cast Aluminum Router Table (37610).

The mounting holes of the base cabinet are on the shelves (H).

1. Place the Craftsman Premium Die Cast Aluminum Router Table (not supplied) onto this base cabinet.
2. Align the mounting holes in the bottom panel of the Craftsman Premium Die Cast Aluminum Router Table with the holes in the shelves (H) of the base cabinet.
3. Insert the pan-head screws (P) through the holes of the router table and the base cabinet.
4. Tighten the screws into the shelf of the base cabinet with a Philips screwdriver (not supplied).



MAINTENANCE

⚠ WARNING: When servicing, use only identical replacement parts. Use of any other parts may create a hazard or cause product damage.

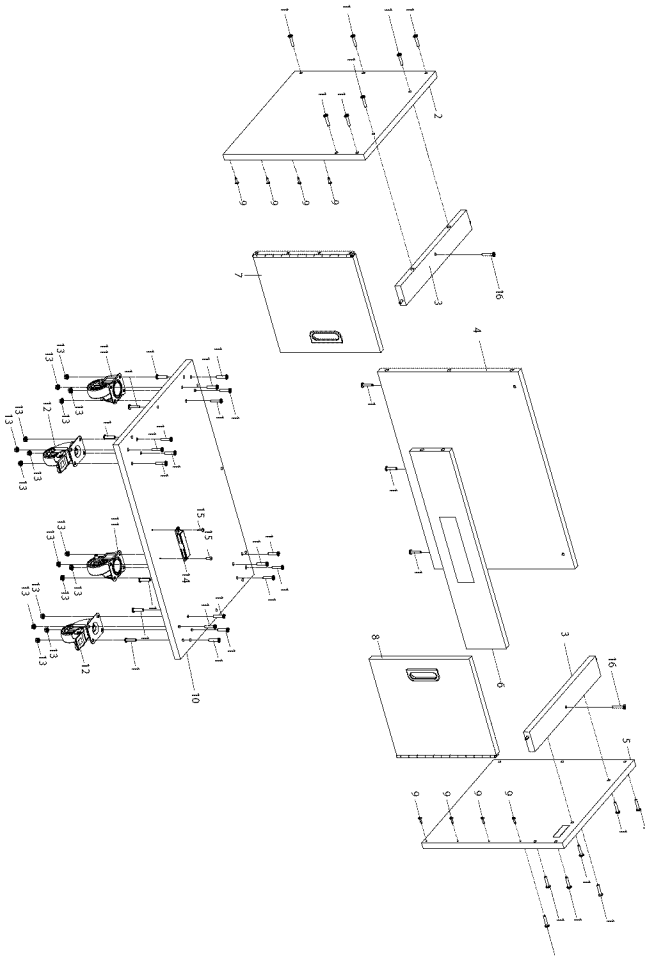
Store the base cabinet in dry places.

PARTS LIST

TOP ROUTER-TABLE BASE CABINET MODEL NUMBER 320.3761

The Model Number will be found on the Nameplate attached to the right side panel of the base cabinet. Always mention the Model Number when ordering parts for this base cabinet.

To order parts, call 1-800-469-4663.



PARTS LIST

TOP ROUTER-TABLE BASE CABINET MODEL NUMBER 320.3761

The Model Number will be found on the Nameplate attached to the right side panel of the base cabinet. Always mention the Model Number when ordering parts for this base cabinet.

To order parts, call 1-800-469-4663.

No	Part No	Part Name	QTY
1	MPP010605183	Locking Bolt	39
2	MPP010608094	Left Side Panel	1
3	MPP010608144	Shelf	2
4	MPP010608104	Back Panel	1
5	MPP010608134	Right Side Panel	1
6	MPP010608154	Header	1
7	MPP010608124A	Left Door	1
8	MPP010608134A	Right Door	1
9	MPP010605173	Tapping Screw	8
10	MPP010608084	Bottom Panel	1
11	MPP010005070	Fixed Caster	2
12	MPP010005060	Swivel Caster with Lock	2
13	MPP010605133	Caster Locking Nut	16
14	MPP010605020	Door Magnet	1
15	MPP010605073	Tapping Screw	2
16	MPP010605203	Pan-head Screw	2

Free Manuals Download Website

<http://myh66.com>

<http://usermanuals.us>

<http://www.somanuals.com>

<http://www.4manuals.cc>

<http://www.manual-lib.com>

<http://www.404manual.com>

<http://www.luxmanual.com>

<http://aubethermostatmanual.com>

Golf course search by state

<http://golfingnear.com>

Email search by domain

<http://emailbydomain.com>

Auto manuals search

<http://auto.somanuals.com>

TV manuals search

<http://tv.somanuals.com>