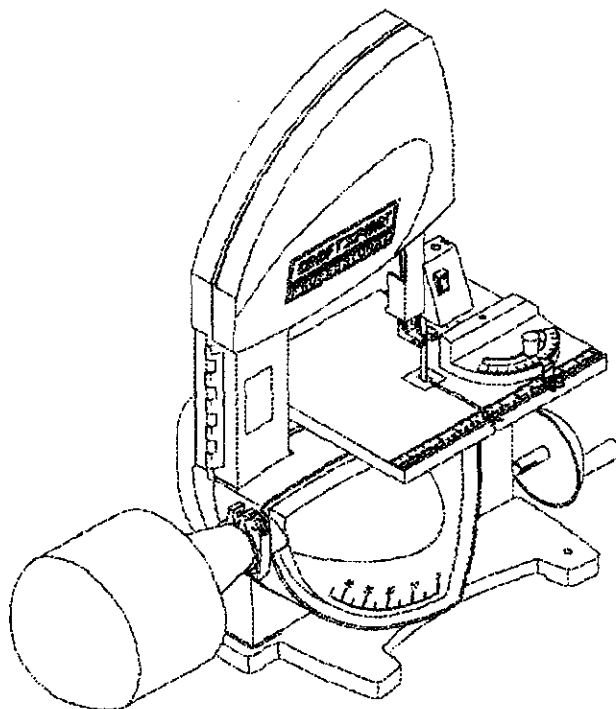


Operator's Manual



10" TILTING HEAD BENCH TOP BAND SAW WITH DUST COLLECTION

Model No.
351.214600



CAUTION: Read and follow all Safety Rules and Operating Instructions before First Use of this Product.

Sears, Roebuck and Co., Hoffman Estates, IL 60179 U.S.A.

www.sears.com/craftsman

20859.01 Draft (05/30/03)

SAFETY

ASSEMBLY

OPERATION

MAINTENANCE

PARTS LIST

ESPAÑOL

TABLE OF CONTENTS

Warranty	2
Safety Rules	2-3
Unpacking	3
Assembly	3
Installation	4-5
Operation	5-9
Maintenance	9
Troubleshooting	11
Parts Illustrations and Lists	12-15
Español	16-24

WARRANTY

FULL ONE YEAR WARRANTY

If this product fails due to a defect in material or workmanship within one year from the date of purchase, Sears will at its option repair or replace it free of charge. Contact your nearest Sears Service Center (1-800-4-MY-HOME) to arrange for product repair, or return this product to place of purchase for replacement.

If this product is used for commercial or rental purposes, this warranty will apply for 90 days from the date of purchase.

This warranty applies only while this product is used in the United States.

This warranty gives you specific legal rights and you may also have other rights which vary from state to state.

Sears, Roebuck and Co., Dept. 817WA, Hoffman Estates, IL 60179

SAFETY RULES

WARNING: For your own safety, read all of the instructions and precautions before operating tool.

CAUTION: Always follow proper operating procedures as defined in this manual — even if you are familiar with use of this or similar tools. Remember that being careless for even a fraction of a second can result in severe personal injury.

BE PREPARED FOR JOB

- Wear proper apparel. Do not wear loose clothing, gloves, neckties, rings, bracelets or other jewelry which may get caught in moving parts of machine.
- Wear protective hair covering to contain long hair.
- Wear safety shoes with non-slip soles.
- Wear safety glasses complying with United States ANSI Z87.1. Everyday glasses have only impact resistant lenses. They are **NOT** safety glasses.
- Wear face mask or dust mask if operation is dusty.

- Be alert and think clearly. Never operate power tools when tired, intoxicated or when taking medications that cause drowsiness.

PREPARE WORK AREA FOR JOB

- Keep work area clean. Cluttered work areas invite accidents.
- Do not use power tools in dangerous environments. Do not use power tools in damp or wet locations. Do not expose power tools to rain.
- Work area should be properly lighted.
- Proper electrical receptacle should be available for tool. Three-prong plug should be plugged directly into properly grounded, three-prong receptacle.
- Extension cords should have a grounding prong and the three wires of the extension cord should be of the correct gauge.
- Keep visitors at a safe distance from work area.
- Keep children out of workplace. Make workshop childproof. Use padlocks, master switches or remove switch keys to prevent any unintentional use of power tools.

TOOL SHOULD BE MAINTAINED

- Always unplug tool prior to inspection.
- Consult manual for specific maintaining and adjusting procedures.
- Keep tool lubricated and clean for safest operation.
- Remove adjusting tools. Form habit of checking to see that adjusting tools are removed before switching machine on.
- Keep all parts in working order. Check to determine that the guard or other parts will operate properly and perform their intended function.
- Check for damaged parts. Check for alignment of moving parts, binding, breakage, mounting and any other condition that may affect a tool's operation.
- A guard or other part that is damaged should be properly repaired or replaced. Do not perform makeshift repairs. (Use parts list provided to order replacement parts.)

KNOW HOW TO USE TOOL

- Use right tool for job. Do not force tool or attachment to do a job for which it was not designed.
- Disconnect tool when changing blade.
- Avoid accidental start-up. Make sure that the tool is in the "off" position before plugging in.
- Do not force tool. It will work most efficiently at the rate for which it was designed.
- Keep hands away from moving parts and cutting surfaces.
- Never leave tool running unattended. Turn the power off and do not leave tool until it comes to a complete stop.
- Do not overreach. Keep proper footing and balance.

- Never stand on tool. Serious injury could occur if tool is tipped or if blade is unintentionally contacted.
- Know your tool. Learn the tool's operation, application and specific limitations.
- Use recommended accessories (refer to page 15). Use of improper accessories may cause risk of injury to persons.
- Handle workpiece correctly. Protect hands from possible injury.
- Turn machine off if it jams. Blade jams when it digs too deeply into workpiece. (Motor force keeps it stuck in the work.) Do not remove jammed or cut off pieces until the saw is turned off, unplugged and the blade has stopped.

WARNING: The operation of any power tool can result in foreign objects being thrown into the eyes, which can result in severe eye damage. Always wear safety goggles complying with United States ANSI Z87.1 (shown on package) before commencing power tool operation. Safety goggles are available through your Sears catalog.

UNPACKING

Check for shipping damage. If damage has occurred, a claim must be filed with carrier. Check for completeness. Immediately report missing parts to dealer.

The band saw comes assembled as one unit. Additional parts which need to be fastened to the saw should be located and accounted for before assembling:

- A Miter Gauge Assembly
- B Crank Handle
- C Clamp
- D Dust Bag

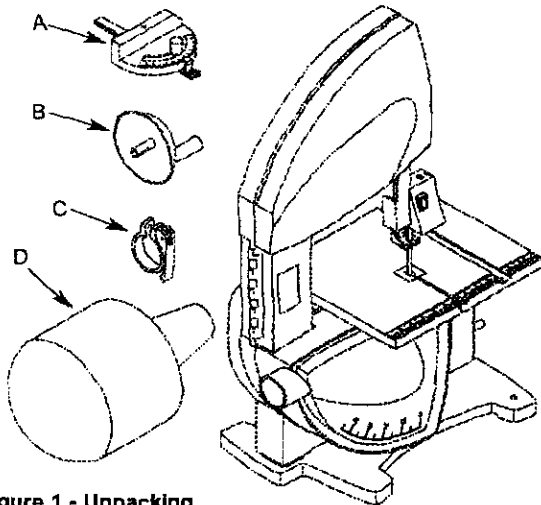


Figure 1 - Unpacking

IMPORTANT: Table is coated with a protectant. To ensure proper fit and operation, remove coating. Coating is easily removed with mild solvents, such as mineral spirits, and a soft cloth. Avoid getting solution on paint or any of the rubber or plastic parts. Solvents may deteriorate these finishes. Use soap and water on paint, plastic or rubber components. After cleaning, cover all exposed surfaces with a light coating of oil. Paste wax is recommended for table top.

WARNING: Never use highly volatile solvents. Non flammable solvents are recommended to avoid possible fire hazard.

ASSEMBLY

CAUTION: Do not attempt assembly if parts are missing. Use operator's manual to order replacement parts.

MOUNT BAND SAW TO WORK SURFACE

- Band saw is designed to be portable so it can be moved to job site, but should be mounted to stable, level bench or table. See Recommended Accessories, page 15.
- Base of band saw has four mounting holes.
- If predrilled holes do not exist on work surface, drill four holes.
- Securely mount band saw to work surface by bolting (hardware not supplied) it through the holes.

NOTE: The blade must be tensioned and tracked, and the blade guides must be adjusted before operation of the saw. Refer to "Tracking Blade" and "Blade Guides" in the OPERATION section, pages 5, 6 and 7.

INSTALL CRANK HANDLE

- Line up slot on crank handle with pin on the shaft.
- Using mallet or piece of wood with regular hammer, drive crank handle on the shaft until the pin on the shaft is fully engaged in the slot.

INSTALL DUST COLLECTION BAG

Dust collection system consists of a 30-micron bag and clamp.

- Place clamp over bag sleeve.
- Slide sleeve with clamp over dust port.
- Secure in position by tightening clamp.

INSTALLATION

Refer to Figures 2 and 3.

MOTOR

The 115 Volt AC motor has the following specifications:

Horsepower (Maximum Developed)	1.0
Voltage	115
Amps	4.6
Hertz	60
Phase	Single
RPM	1725

POWER SOURCE

The motor is designed for operation on the voltage and frequency specified. Normal loads will be handled safely on voltages not more than 10% above or below the specified voltage.

Running the unit on voltages which are not within the range may cause overheating and motor burn-out. Heavy loads require that the voltage at motor terminals be no less than the voltage specified. Power supply to the motor is controlled by a double pole locking rocker switch. Remove the key to prevent unauthorized use.

GROUNDING INSTRUCTIONS

WARNING: Improper connection of equipment grounding conductor can result in the risk of electrical shock. Equipment should be grounded while in use to protect operator from electrical shock.

Check with a qualified electrician if grounding instructions are not understood or if in doubt as to whether the tool is properly grounded.

This tool is equipped with an approved 3 conductor cord rated at 150V and a three prong grounding type plug for your protection against shock hazards.

Grounding plug should be plugged directly into a properly installed and grounded 3-prong grounding-type receptacle, as shown (Figure 2).

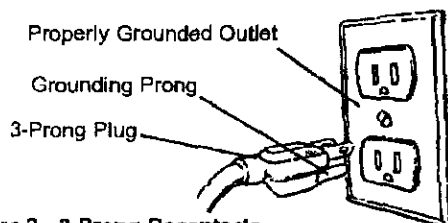


Figure 2 - 3-Prong Receptacle

Do not remove or alter grounding prong in any manner. In the event of a malfunction or breakdown, grounding provides a path of least resistance for electrical shock.

WARNING: Do not permit fingers to touch the terminals of plug when installing or removing from outlet.

Plug must be plugged into matching outlet that is properly installed and grounded in accordance with all local codes and ordinances. Do not modify plug provided. If it will not fit in outlet, have proper outlet installed by a qualified electrician.

Inspect tool cords periodically, and if damaged, have them repaired by an authorized service facility.

Green (or green and yellow) conductor in cord is the grounding wire. If repair or replacement of the electric cord or plug is necessary, do not connect the green (or green and yellow) wire to a live terminal.

Where a 2-prong wall receptacle is encountered, it must be replaced with a properly grounded 3-prong receptacle installed in accordance with National Electric Code and local codes and ordinances.

WARNING: This work should be performed by a qualified electrician.

A temporary 3-prong to 2-prong grounding adapter (see Figure 3) is available for connecting plugs to a two pole outlet if it is properly grounded.

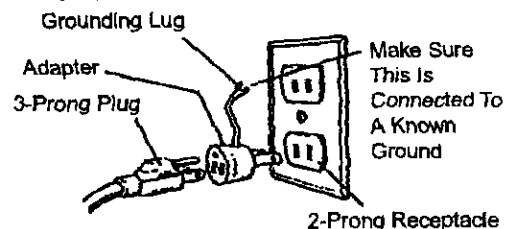


Figure 3 - 2-Prong Receptacle with Adapter

Do not use a 3-prong to 2-prong grounding adapter unless permitted by local and national codes and ordinances. (A 3-prong to 2-prong grounding adapter is not permitted in Canada.) Where permitted, the rigid green tab or terminal on the side of the adapter must be securely connected to a permanent electrical ground such as a properly grounded water pipe, a properly grounded outlet box or a properly grounded wire system. Many cover plate screws, water pipes and outlet boxes are not properly grounded. To ensure proper ground, grounding means must be tested by a qualified electrician.

EXTENSION CORDS

- The use of any extension cord will cause some drop in voltage and loss of power.
- Wires of the extension cord must be of sufficient size to carry the current and maintain adequate voltage.
- Use the table to determine the minimum wire size (A.W.G.) extension cord.
- Use only 3-wire extension cords having 3-prong grounding type plugs and 3-pole receptacles which accept the tool plug.
- If the extension cord is worn, cut or damaged in any way, replace immediately.

EXTENSION CORD LENGTH

Wire Size	A.W.G.
Up to 50 ft.	16

NOTE: Using extension cords over 50 ft. long is not recommended.

OPERATION

Refer to Figures 4 - 13, pages 5-8.

The Craftsman 10" Tilting Head Band Saw features aluminum frame construction and a solid cast iron table surface to insure durability. It is designed for cutting hard and soft woods, as well as nonferrous metals and plastics. Head of the saw tilts from 90° to 45° while the table remains in horizontal position for straight line feeding of the material. The saw is equipped with a miter gauge for performing many different operations. The built-in dust collection system helps to keep the worksurface clean. A convenient quick tensioning and comprehensive tracking mechanism makes blade changing quick and easy.

SPECIFICATIONS

Depth of throat at 90°	9 ³ / ₈ "
Maximum depth of cut at 90°	5"
Depth of throat at 45°	7 ¹ / ₄ " for 1" thick board 3" for 3" thick board
Maximum depth of cut at 45°	3 ³ / ₈ "
Table size	13 ³ / ₈ x 11 ³ / ₈ "
Table tilt	90° to 45°
Wheel diameter	8"
Blade length	63 ¹ / ₂ "
Blade range	63 ¹ / ₈ - 63 ³ / ₈ "
Blade width	1/4 - 3/8"
Blade speed	3600 FPM
Overall dimensions	28 ³ / ₄ x 16 ¹ / ₄ x 34"
Shipping weight	95 lbs
Dust collection port	2 ¹ / ₂ "

CAUTION: Always observe the following safety precautions:

- Make sure that blade guides and thrust bearings are positioned and adjusted correctly to prevent side-ways and rearward movement of the blade. Adjust upper guide to just clear workpiece.
- Check to make sure blade is tensioned and tracking properly. Do not over tension the blade in order to prevent premature blade wear and breakage. Avoid under tensioning to eliminate back and forth, side to side blade movement as it cuts.
- Use proper blade for the cutting operation.
- After turning saw on, allow blade to come to full speed before attempting any cutting operation.
- Support workpiece properly and use a smooth steady feed to guide work through the cut. Use push sticks or push blocks when required.

- Keep hands away and out of line with moving parts.
- Always wear eye protection.

REMOVING BLADE

WARNING: Disconnect band saw from power source when changing or adjusting blades. Wear leather gloves when handling band saw blades. Never wear gloves when operating saw.

- Turn blade tensioning lever on the back of the tool clockwise all the way until it locks in position to release blade tension (see Figure 4).

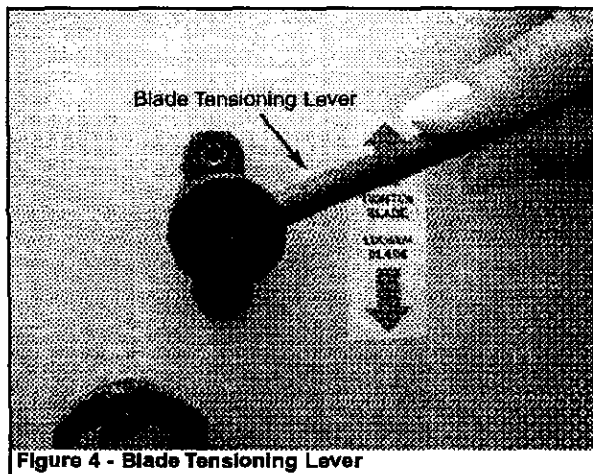


Figure 4 - Blade Tensioning Lever

- Release two latches on the side of the tool and open front door.
- Remove table locking insert located in the front of the table slot, take out the released blade and replace with another blade.

INSTALLING BLADE

- Although many of the adjustments may not be altered when blade is removed, every adjustment should be checked prior to using a newly installed blade.
- Make sure blade teeth are pointing down towards table. Turn blade inside out if necessary.
- Slip new blade into table slot and over the upper, lower and idler blade wheels. Slide blade in between blade guards.
- Tension blade by turning blade tensioning lever counterclockwise, as far as it will go (see Figure 4). This is a spring loaded, tensioning mechanism and it will automatically apply required tension to the blade.
- Close the front door and fasten latches.
- Install table insert.
- Track blade as described in the following sections.

TRACKING BLADE

WARNING: Be very careful; improperly tracked blade may spring out from wheels causing serious injury. Do not perform tracking adjustment while band saw is running.

- Disconnect band saw from power source.

- To check the blade tracking rotate drive wheel by hand in clockwise direction.
- Proper tracking is achieved when drive and idler wheels are aligned. Tracking plate (see Figure 5) on the back of the tool frame is used to tilt upper idler wheel and align all three blade wheels.

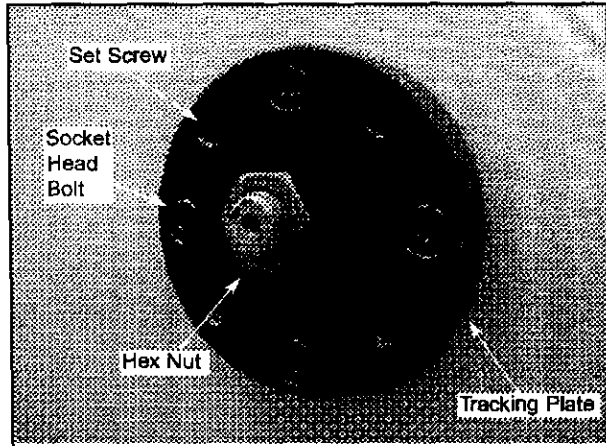


Figure 5 - Tracking Plate

- Loosen up hex nut.
- Loosen up socket head bolts. There are four socket head bolts holding tracking plate. Bottom socket head bolts should be loosened just enough to allow tilting of the plate. If the bottom socket head bolt is loosened too much, the plate will not tilt.
- Using set screws, tilt the plate in vertical (up and down) plane until proper tracking is achieved. Upper idler blade wheel will tilt in the same direction as tracking plate.
- Most of the time tracking plate should be tilted to the desired degree as shown in Figure 6 (top of tracking plate should be pulled away from cabinet wall, while bottom part of tracking plate should be touching cabinet wall).

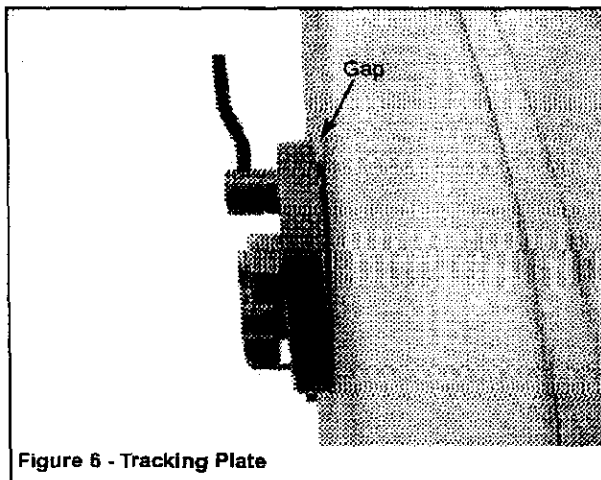


Figure 6 - Tracking Plate

- If blade rides away from cabinet, increase gap between tracking plate and cabinet wall. If the blade rides into cabinet, decrease the gap.

- When blade is tracking properly, tighten up hex nut and all four socket head bolts.
- Properly tracked blade should ride at the center height on all three wheels (drive and idlers).

BLADE GUIDES

NOTE: Adjust blade guides only after blade has been properly tensioned and tracked.

- Blade guides support blade at sides and rear of blade, and prevent twisting or deflection.
- Blade guides should not touch blade when no work-piece is in contact with blade. Adjust guides as described in following section.

UPPER BLADE GUIDES

- Upper blade guides employ guide pins for side support and a ball bearing for rear support.
- Loosen set screws and adjust guide pins to sides of the blade (see Figure 7). Use a feeler gauge to check that guide pins are 0.002" away from blade.
- Lock adjustment by tightening set screws.

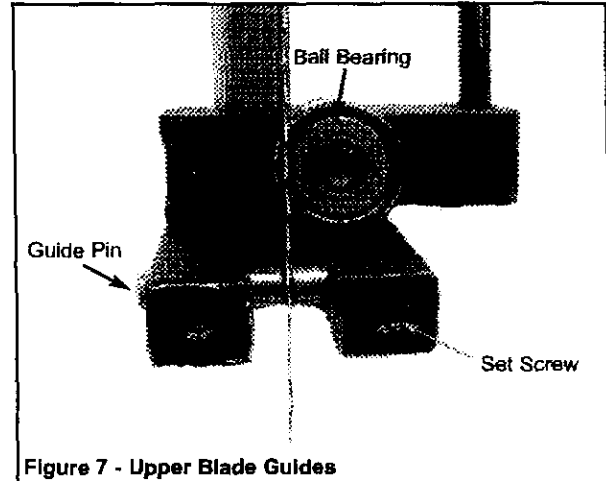


Figure 7 - Upper Blade Guides

- Adjust ball bearing at rear of blade by loosening hex nut and turning bearing shaft (see Figure 8).

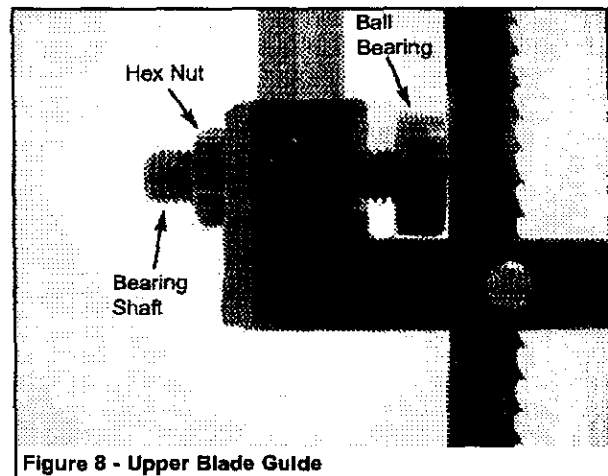


Figure 8 - Upper Blade Guide

- Position ball bearing 0.002" away from back of blade.
- Secure position of thrust bearing by tightening hex nut.
- Adjust the height of upper guide to clear the workpiece by $\frac{1}{4}$ ". Loosen upper guide knob (see Figure 9) and adjust height of upper guide until it clears workpiece by $\frac{1}{4}$ ". Tighten upper guide knob.

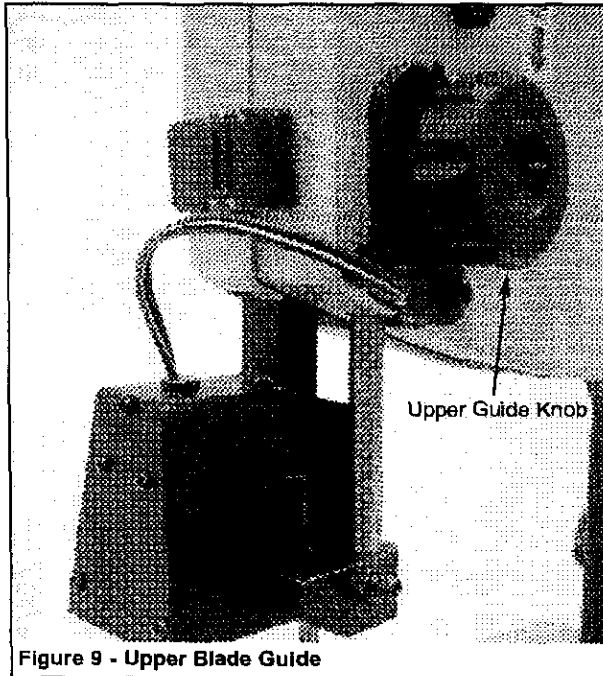


Figure 9 - Upper Blade Guide

LOWER BLADE GUIDES

- Lower blade guides employ guide pins for side support and grooved roller for rear support.
- Loosen set screws (see Figure 10) and move guide pins away from blade sides.

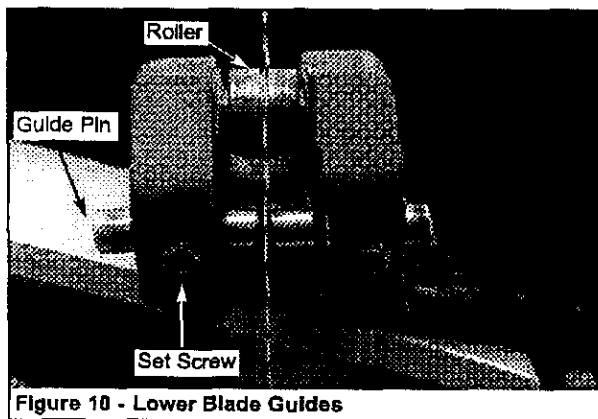


Figure 10 - Lower Blade Guides

- Loosen socket head bolts (see Figure 11) and adjust lower guide bracket position so that rear of blade is positioned inside the groove of roller (see Figure 10). There should be 0.002" clearance between blade and roller.

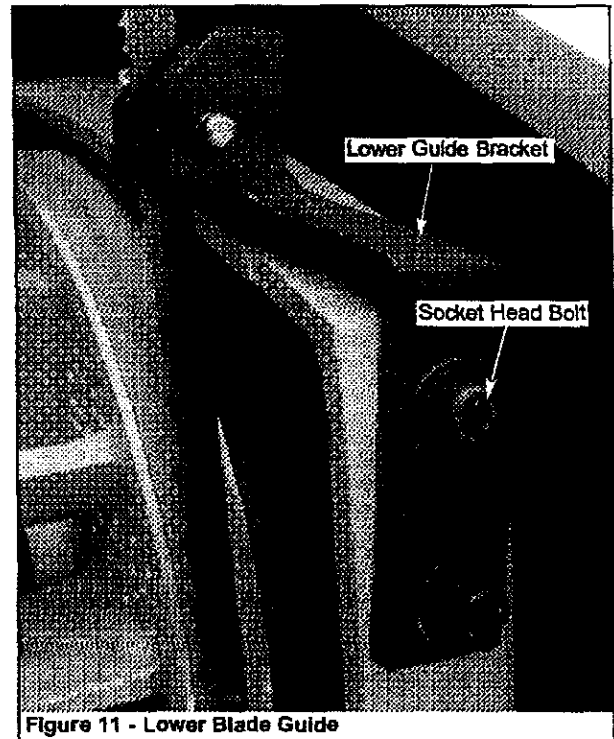


Figure 11 - Lower Blade Guide

- Tighten socket head bolts (see Figure 11).
- Adjust guide pins (see Figure 10) to sides of the blade. Use a feeler gauge to check that guide pins are 0.002" away from blade.
- Lock adjustment by tightening set screws.

BLADE SELECTION

- Blades vary depending on type of material, size of workpiece and type of cut that is being performed.
- Characteristics which make blades different are width, thickness and pitch.

BLADE WIDTH

- Width of blade describes distance from tip of a tooth to back of blade.
- Width of blade will affect rigidity of blade. A wider blade will wander less and produce a straighter cut.
- Width of blade also limits the smallest radius which can be cut. A $\frac{1}{4}$ " wide blade can cut about a $\frac{1}{2}$ " radius.

BLADE THICKNESS

- Blade thickness describes the distance between sides of blade. A thicker blade has more rigidity and stronger teeth.
- A narrow thick blade would be used to cut curves while a wide thin blade would be used to make long, straight cuts.

BLADE PITCH

- Pitch describes number of teeth per inch or tooth size. A blade with more teeth per inch will produce a smoother cut.
- The type of material being cut determines number of teeth which should be in contact with work.
- For soft materials, the proper blade has between 6 to 8 teeth per inch.
- When cutting hard materials, where shocking is more detrimental, use a blade with 8 to 12 teeth per inch.
- There should always be at least three teeth in contact with cut to avoid shocking blade.
- Blade shocking occurs when pitch is too large and blade tooth encounters too much material. This can strip teeth from blade.
- Blade manufacturers are prepared to supply information about blades for specific applications.

TYPE OF CUT

- Contour cutting is done by guiding workpiece free-handed to produce curved shapes.
- Beveled cutting can be done by tilting saw head and using proper work guide method.
- Regardless of which work guiding method is used, a workpiece which overhangs table by more than 5" should be properly supported

CONTOUR SAWING

- When contour sawing, use both hands to keep workpiece flat against table and guided along desired path.
- Avoid positioning hands in line with blade. If hands slip they could contact blade.
- Try to stand to front of the saw and use hands over the portion of table which is to right of blade and before cut.
- Cut small corners by sawing around them. Saw to remove scrap until desired shape is obtained.

BEVEL CUTTING

Refer to Figure 10.

- Perform bevel cutting by tilting head to desired degree.
- Unlock head by loosening locking handle located on the backside of the unit (see Figure 12).
- Tilt head to desired position by rotating crank handle (see Figure 13).
- Lock head in position by tightening locking handle (see Figure 12).

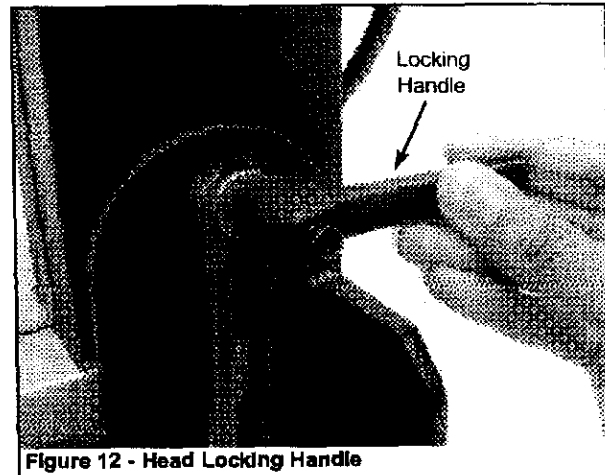


Figure 12 - Head Locking Handle

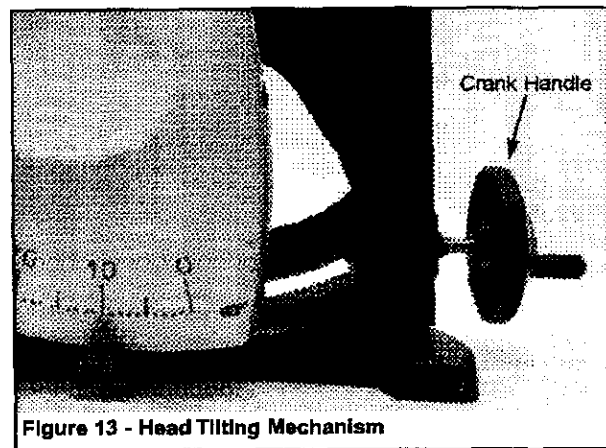


Figure 13 - Head Tilting Mechanism

MITER GAUGE

- Use miter gauge for securing and holding workpiece at desired angle to produce angled cuts. Use scale to adjust gauge to desired angle.

WARNING: Never use miter gauge and rip fence at the same time. The blade might bind in the workpiece. Operator could be injured and/or workpiece could be damaged.

BLADE CLEANING BRUSH

Refer to Figure 14.

- Make sure that brush (Key No. 13) is in contact with blade to properly remove foreign particles from drive wheel.

MAINTENANCE

WARNING: Make certain that unit is disconnected from power source before attempting to service or remove any component.

CLEANING

- Keep machine and workshop clean. Do not allow sawdust to accumulate on band saw.
- Keep wheels clean. Debris on wheels will cause poor tracking and blade slippage.
- Keep mechanisms and threaded or sliding surfaces clean and free of foreign particles.
- Operate band saw with a dust collector to minimize clean up.

LUBRICATION

- The shielded ball bearings are permanently lubricated and require no further lubrication.
- Small amounts of machine oil can be applied to belt tension mechanisms and threaded or sliding surfaces.
- Occasionally apply a coat of automobile type wax to table top to keep it slick and corrosion free.

KEEP BAND SAW IN REPAIR

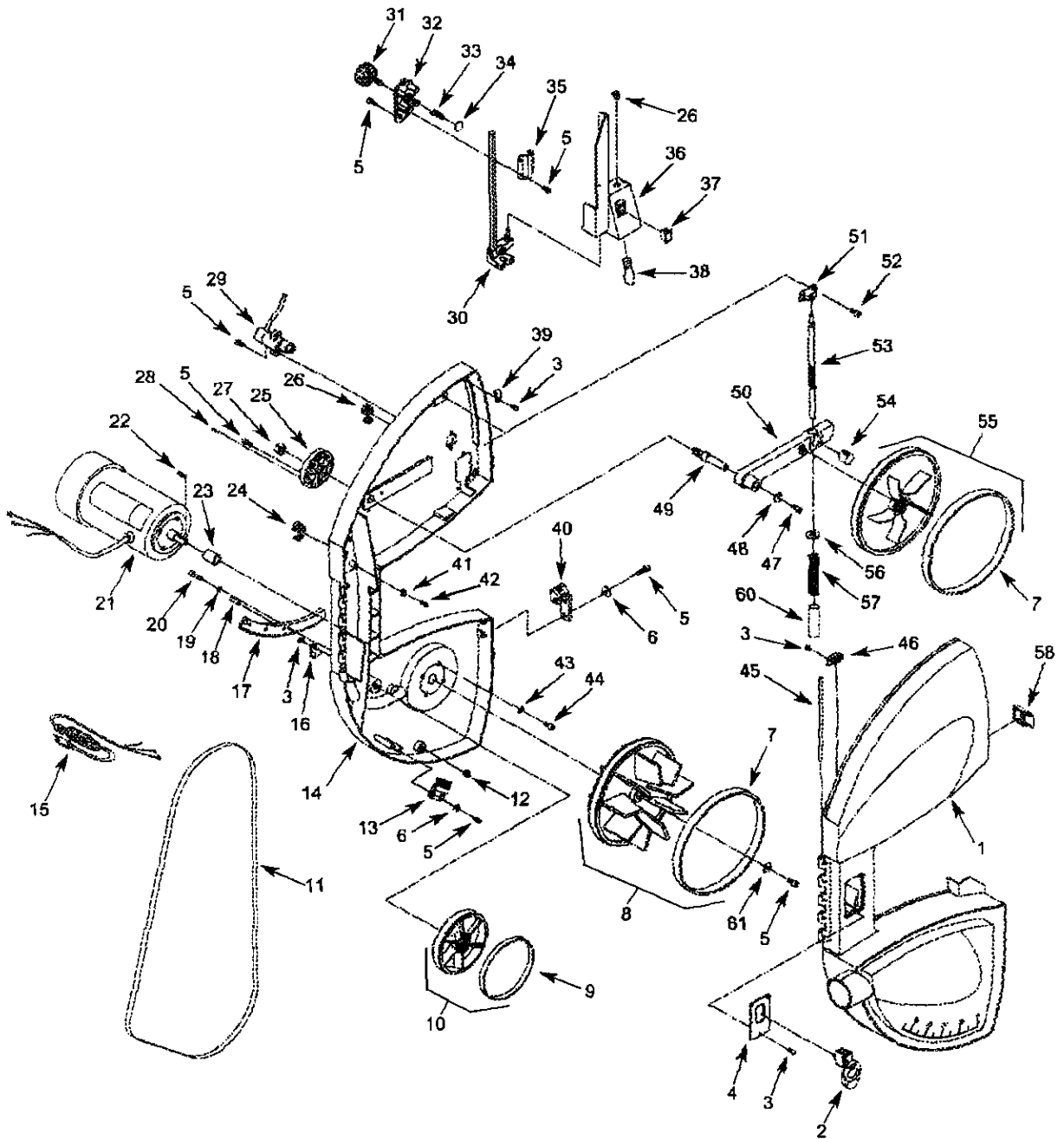
- If power cord is worn or cut in any way, have it replaced.
- Replace any damaged or missing part.
- Use parts list to order parts.

TROUBLESHOOTING

SYMPTOM	POSSIBLE CAUSE(S)	CORRECTIVE ACTION
Excessive blade breakage	<ol style="list-style-type: none"> 1. Material not secure on table 2. Blade too coarse for material 3. Teeth in contact with work before sawing 4. Misaligned guides 5. Blade too thick for wheel diameter 6. Cracking at weld 	<ol style="list-style-type: none"> 1. Squarely place work on table 2. Use finer pitch blade 3. Place blade in contact with work after saw is started and has reached full speed 4. Adjust blade guides properly 5. Use thinner blade 6. Replace blade
Premature blade dulling	<ol style="list-style-type: none"> 1. Blade too coarse 2. Inadequate feed pressure 3. Hard spots or scale in or on material 4. Blade installed backwards 	<ol style="list-style-type: none"> 1. Use finer tooth blade 2. Gently increase pressure 3. Reduce speed; increase rate of feed for scale and change blades for hard spots 4. Remove blade, twist inside out and reinstall blade
Crooked cuts	<ol style="list-style-type: none"> 1. Work not square 2. Rate of feed too great 3. Blade guides not adjusted properly 4. Upper blade guide too far from workpiece 5. Dull blade 6. Blade guide assembly loose or blade thrust bearing loose 	<ol style="list-style-type: none"> 1. Use miter gauge; adjust tilt of head at 90° 2. Reduce rate of feed 3. Move both guide blocks within .002" from blade (use gauge) 4. Adjust upper guide to just clear workpiece by 1/4" 5. Replace blade 6. Tighten blade thrust bearing within .002" behind blade back
Rough cuts	<ol style="list-style-type: none"> 1. Too much feed 2. Blade too coarse 	<ol style="list-style-type: none"> 1. Reduce feed 2. Replace with finer blade
Blade is twisting or unusual wear on side/back of blade	<ol style="list-style-type: none"> 1. Cut is binding blade 2. Blade guides or bearing worn 3. Blade guides or bearings not adjusted properly 4. Blade guide brackets loose 	<ol style="list-style-type: none"> 1. Decrease feed pressure 2. Replace 3. Adjust blade guides; see "Operation" 4. Tighten properly
Teeth rippling from blade	<ol style="list-style-type: none"> 1. Teeth too coarse for work 2. Rate of feed too great 3. Vibrating workpiece 4. Teeth filling with material 	<ol style="list-style-type: none"> 1. Use blade with finer teeth 2. Decrease feed rate 3. Hold workpiece firmly 4. Use blade with coarser teeth
Motor running too hot	<ol style="list-style-type: none"> 1. Blade too coarse for work (typical when cutting pipe) 2. Blade too fine for work (typical when cutting slick or soft material) 3. Excessive dirt and chips 	<ol style="list-style-type: none"> 1. Use blade with finer teeth 2. Use blade with coarser teeth 3. Clean thoroughly
Saw will not start	Loose electrical connections	Have qualified electrician check electrical connections

Model 351.214600

Figure 14 - Replacement Parts Illustration for Frame



REPLACEMENT PARTS LIST FOR FRAME

KEY NO.	PART NO.	DESCRIPTION	QTY.
1	20803.00	Front Door	1
2	16080.00	Switch with Key	1
3	00781.00	4-0.7 x 8mm Pan Head Screw	11
4	20804.00	Switch Plate	1
5	05331.00	5-0.8 x 12mm Socket Head Bolt	18
6	STD851005	5mm Flat Washer*	4
7	20805.00	Wheel Band	2
8	20806.00	Drive Wheel Assembly	1
9	20807.00	Small Idler Wheel Band	1
10	20808.00	Small Idler Wheel Assembly	1
11	20882.00	Blade 63.5" x 3/8" x 6 Hook	1
12	STD840610	6-1.0mm Hex Nut*	3
13	20810.00	Blade Brush	1
14	20811.00	Frame	1
15	00090.00	Line Cord	1
16	02702.00	Cord Clamp	4
17	20812.00	Rack	1
18	20993.00	5 x 15mm Dowel Pin	2
19	STD852006	6mm Lock Washer*	3
20	01760.00	6-1.0 x 16mm Socket Head Bolt	3
21	20814.00	Motor	1
22	20815.00	4 x 4 x 20mm Key	1
23	20816.00	Bushing	1
24	01680.00	Strain Relief	1
25	20817.00	Tracking Plate	1
26	20818.00	Strain Relief	2
27	STD841217	12-1.75mm Hex Nut*	1
28	00351.00	6-1.0 x 10mm Set Screw	4
29	20819.00	Blade Tensioning Cam Assembly	1
30	20820.00	Upper Blade Guide Assembly	1
31	20821.00	Knob	1
32	20822.00	Upper Guide Seat	1

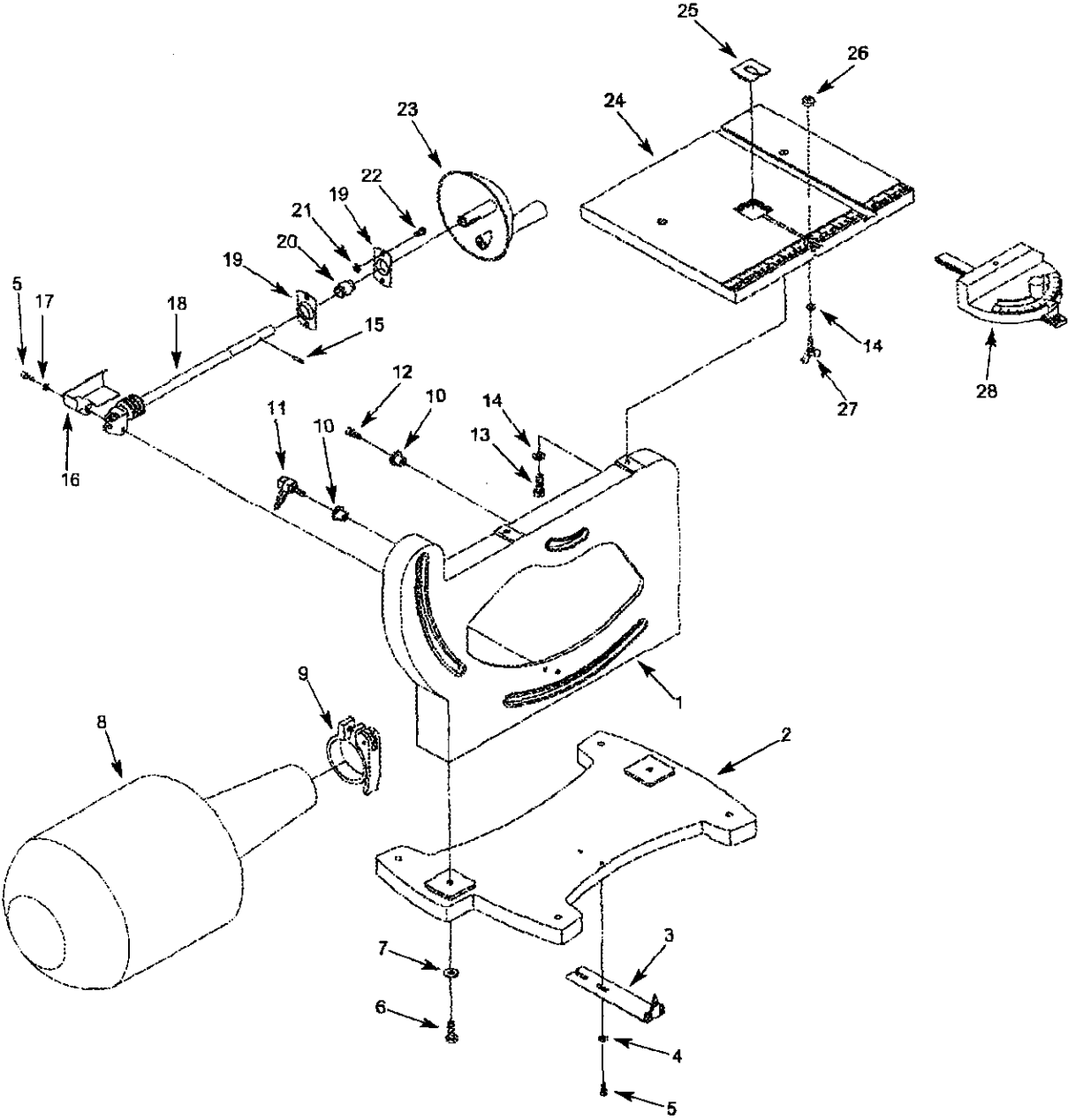
KEY NO.	PART NO.	DESCRIPTION	QTY.
33	20823.00	Spring	1
34	20824.00	Locking Insert	1
35	20825.00	Upper Guide Bracket	1
36	20826.00	Blade Guard with Lamp Assembly	1
37	20827.00	Lamp Switch	1
38	20828.00	Lamp Bulb	1
39	20829.00	Cord Clamp	2
40	20830.00	Lower Blade Guide Assembly	1
41	01474.00	5mm Serrated Washer	2
42	00361.00	5-0.8 x 8mm Pan Head Screw	2
43	STD852008	8mm Lock Washer*	4
44	01822.00	8-1.25 x 20mm Socket Head Bolt	4
45	20831.00	Hinge Pivot	1
46	20832.00	Cover	1
47	03806.00	6-1.0 x 10mm Socket Head Bolt	1
48	20833.00	6 x 16 x 1.5mm Flat Washer	1
49	20834.00	Shaft	1
50	20835.00	Link	1
51	20836.00	Bracket	1
52	06270.00	5-0.8 x 8mm Socket Head Bolt	2
53	20837.00	Tensioning Rod	1
54	20838.00	Tensioning Nut	1
55	20839.00	Idler Wheel Assembly	1
56	20840.00	8 x 23 x 2mm Flat Washer	1
57	20841.00	Tensioning Spring	1
58	20842.00	Door Latch	2
59	20994.00	Sleeve	1
60	20995.00	Special Washer	1

* Standard hardware item available locally.

PARTS LIST

Model 351.214600

Figure 15 - Replacement Parts Illustration for Base



REPLACEMENT PARTS LIST FOR BASE

KEY NO.	PART NO.	DESCRIPTION	QTY.
1	20843.00	Head Mounting Bracket	1
2	20844.00	Base	1
3	20845.00	Pointer Assembly	1
4	STD851005	5mm Flat Washer*	2
5	05331.00	5-0.8 x 12mm Socket Head Bolt	4
6	01081.00	8-1.25 x 25mm Hex Head Bolt	2
7	STD851008	8mm Flat Washer*	2
8	20776.00	Dust Collection Bag	1
9	20777.00	Bag Clamp	1
10	20847.00	Bushing	3
11	20848.00	Lock Handle	1
12	06182.00	6-1.0 x 30mm Socket Head Bolt	2
13	STD833020	6-1.0 x 20mm Hex Head Bolt*	2
14	STD852006	6mm Lock Washer*	3
15	02783.00	4 x 18mm Spring Pin	1
16	20849.00	Worm Cover	1
17	STD852005	5mm Lock Washer*	2
18	20850.00	Worm Shaft Assembly	1
19	20851.00	Bearing Flange	2
20	20852.00	Swivel Bearing	1
21	STD851006	6mm Flat Washer*	2
22	03812.00	6-1.0 x 10mm Pan Head Screw	2
23	20853.00	Crank Handle	1
24	20854.00	Table with Scale	1
25	20855.00	Table Insert	1
26	20856.00	Table Locking Insert	1
27	20857.00	6-1.0 x 20mm Wing Bolt	1
28	20858.00	Miter Gauge Assembly	1
Δ	20859.00	Operator's Manual	1

* Standard hardware item available locally.

Recommended Accessories	Model No.
Δ Multi-Purpose Stand	9-22224
Δ Blade 63.5" x 1/4" x 10R	20860.00
Δ Blade 63.5" x 1/4" x 6 Hook	20861.00
Δ Blade 63.5" x 3/8" x 6 Hook	20862.00

Get it fixed, at your home or ours!

Your Home

For repair—in your home—of all major brand appliances, lawn and garden equipment, or heating and cooling systems, **no matter who made it, no matter who sold it!**

For the replacement parts, accessories and owner's manuals that you need to do-it-yourself.

For Sears professional installation of home appliances and items like garage door openers and water heaters.

1-800-4-MY-HOME® (1-800-469-4663)

Call anytime, day or night (U.S.A. and Canada)

www.sears.com www.sears.ca

Our Home

For repair of carry-in items like vacuums, lawn equipment, and electronics, call or go on-line for the location of your nearest **Sears Parts & Repair Center.**

1-800-488-1222

Call anytime, day or night (U.S.A. only)

www.sears.com

To purchase a protection agreement (U.S.A.) or maintenance agreement (Canada) on a product serviced by Sears:

1-800-827-6655 (U.S.A.)

1-800-361-6665 (Canada)

Para pedir servicio de reparación a domicilio, y para ordenar piezas:

1-888-SU-HOGARSM

(1-888-784-6427)

Au Canada pour service en français:

1-800-LE-FOYER^{MC}

(1-800-533-6937)

www.sears.ca

SEARS

® Registered Trademark / TM Trademark / SM Service Mark of Sears, Roebuck and Co.

® Marca Registrada / TM Marca de Fábrica / SM Marca de Servicio de Sears, Roebuck and Co.

^{MC} Marque de commerce / ^{MD} Marque déposée de Sears, Roebuck and Co.

© Sears, Roebuck and Co.

Free Manuals Download Website

<http://myh66.com>

<http://usermanuals.us>

<http://www.somanuals.com>

<http://www.4manuals.cc>

<http://www.manual-lib.com>

<http://www.404manual.com>

<http://www.luxmanual.com>

<http://aubethermostatmanual.com>

Golf course search by state

<http://golfingnear.com>

Email search by domain

<http://emailbydomain.com>

Auto manuals search

<http://auto.somanuals.com>

TV manuals search

<http://tv.somanuals.com>