

IMPORTANT MANUAL

Do Not Throw Away

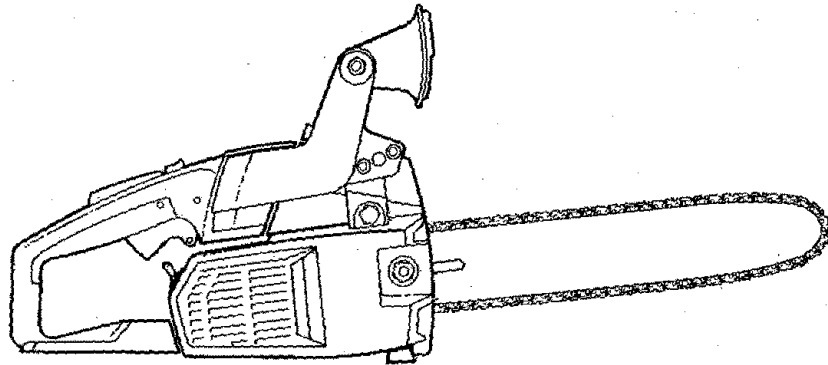
SEARS

Operator's
Manual



Model No.
358.352380 *
358.356180
358.356230

A fully assembled unit



Always Wear Eye Protection

**CUSTOMER
ASSISTANCE
1-800-235-5878**

HOURS (CST)
Mon. - Sat. 7 a.m. - 7 p.m.
Sun. 10 a.m. - 7 p.m.



WARNING:

READ THE OPERATOR'S
MANUAL AND FOLLOW
ALL WARNINGS AND
SAFETY INSTRUCTIONS.
FAILURE TO DO SO CAN
RESULT IN SERIOUS
INJURY.

CRAFTSMAN®

**2.3 cu. in./38cc 2-CYCLE
18" GUIDE BAR
GASOLINE CHAIN SAW**

- Assembly
- Operation
- Customer Responsibilities
- Service Adjustments
- Repair Parts
- Table of Contents -
Inside Back Cover

Sears, Roebuck and Co., Hoffman Estates, IL 60179 U.S.A.

SAFETY RULES



WARNING:

ALWAYS DISCONNECT SPARK PLUG WIRE AND PLACE WIRE WHERE IT CANNOT CONTACT SPARK PLUG TO PREVENT ACCIDENTAL STARTING WHEN SETTING UP, TRANSPORTING, ADJUSTING OR MAKING REPAIRS EXCEPT CARBURETOR ADJUSTMENTS.

BECAUSE A CHAIN SAW IS A HIGH-SPEED WOOD-CUTTING TOOL, SPECIAL SAFETY PRECAUTIONS MUST BE OBSERVED TO REDUCE THE RISK OF ACCIDENTS. CARELESS OR IMPROPER USE OF THIS TOOL CAN CAUSE SERIOUS INJURY.

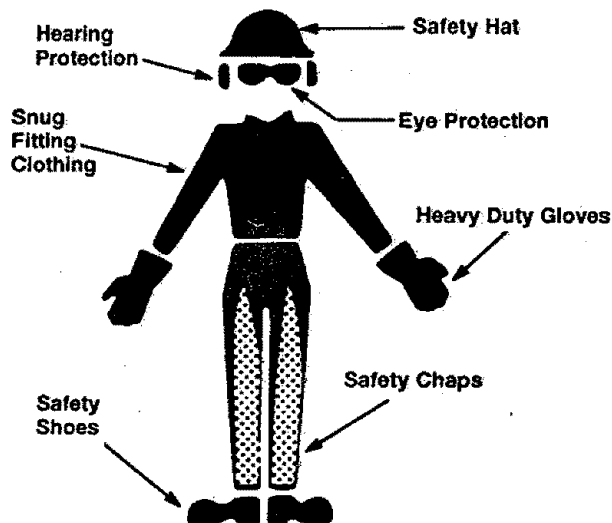


Figure 1

KNOW YOUR SAW

- Read your operator's manual carefully until you completely understand and can follow all safety rules, precautions, and operating instructions before attempting to operate the unit.
- Restrict the use of your saw to adult users who understand and can follow safety rules, precautions, and operating instructions found in this manual.

PLAN AHEAD

- Wear protective gear. Figure 1. Always use steel-toed safety footwear with non-slip soles; snug-fitting clothing; heavy-duty, non-slip gloves, eye protection such as non-fogging, vented goggles or face screen; an approved safety hard hat; and sound barriers – ear plugs or mufflers to protect your hearing. Regular users should have hearing checked regularly as chain saw noise can damage hearing.
- Keep all parts of your body away from the chain when the engine is running.
- Keep children, bystanders, and animals a minimum of 30 feet (10 meters) away from the work area. Do not allow other people or animals to be near the chain saw when starting or operating the chain saw.

- Do not handle or operate a chain saw when you are fatigued, ill, or upset, or if you have taken alcohol, drugs, or medication. You must be in good physical condition and mentally alert. Chain saw work is strenuous. If you have any condition which might be aggravated by strenuous work, check with your doctor before operating a chain saw.
- Do not attempt to use your chain saw during bad weather conditions such as strong wind, rain, snow, ice, etc., or at night.
- Carefully plan your sawing operation in advance. Do not start cutting until you have a clear work area, secure footing, and, if you are felling trees, a planned retreat path.
- Do not operate a chain saw that is damaged, improperly adjusted, or not completely and securely assembled. Always replace the handguard immediately if it becomes damaged, broken, or is otherwise removed.
- Keep the handles dry, clean, and free of oil or fuel mixture.
- With the engine stopped, hand carry the chain saw with the muffler away from your body, and the guide bar and chain to the rear, preferably covered with a scabbard.

HANDLE FUEL WITH CAUTION

- Eliminate all sources of sparks or flame in the areas where fuel is mixed, poured, or stored. There should be no smoking, open flames, or work that could cause sparks.
- Mix and pour fuel in an outdoor area, on bare ground; store fuel in a cool, dry, well-ventilated place; and use an approved, marked container for fuel.
- Wipe up all spilled fuel before starting your saw.
- Move at least 10 feet (3 meters) away from fuel and fueling site before starting the engine.
- Do not smoke while handling fuel or while operating the saw.
- Turn the engine off and let your saw cool in a non-combustible area, not on dry leaves, straw, paper, etc. Slowly remove fuel cap and refuel unit.
- Store tool and fuel in an area where fuel vapors cannot reach sparks or open flames from water heaters, electric motors or switches, furnaces, etc

SAFETY NOTICE

Exposure to vibrations through prolonged use of gasoline powered hand units could cause blood vessel or nerve damage in the fingers, hands, and wrists of people prone to circulation disorders or abnormal swellings. Prolonged use in cold weather has been linked to blood vessel damage in otherwise healthy people. If symptoms occur such as numbness, pain, loss of strength, change in skin color or texture, or loss of feeling in the fingers, hands or wrists, discontinue the use of this unit and seek medical attention. An anti-vibration system does not guarantee the avoidance of these problems. Users who operate power tools on a continual and regular basis must monitor closely their physical condition and the condition of this tool.



LOOK FOR THIS SYMBOL TO POINT OUT IMPORTANT SAFETY PRECAUTIONS. IT MEANS -- ATTENTION!!! BECOME ALERT!!! YOUR SAFETY IS INVOLVED.

SAFETY RULES

OPERATE YOUR SAW SAFELY

- **Do not operate a chain saw with one hand.** Serious injury to the operator, helpers, bystanders or any combination of these persons may result from one-handed operation. A chain saw is intended for two-handed use.
- **Operate the chain saw only in outdoor areas.**
- **Do not operate saw from a ladder or in a tree,** unless specifically trained to do so.
- **Position all parts of your body to the left of cut and away from the saw chain when the engine is running.**
- **Cut wood only.** Do not use your saw to pry or shove away limbs, roots, or other objects.
- **Make sure the chain will not make contact with any object while starting the engine.** Never try to start the saw when the guide bar is in a cut or kerf.
- **Use extreme caution when cutting small size brush and saplings.** Slender material can catch the saw chain and be whipped toward you or pull you off balance.
- **Be alert for springback** when cutting a limb that is under tension so you will not be struck by the limb or saw when the tension in the wood fibers is released.
- **Do not put pressure on the saw at the end of a cut.** Applying pressure can cause you to lose control when the cut is completed.
- **Stop the engine before setting the saw down.**
- **Keep fuel and oil caps, screws, and fasteners securely tightened.**

MAINTAIN YOUR SAW IN GOOD WORKING ORDER

- **Have all chain saw service performed by your Sears Service Center** with the exception of the items listed in the customer responsibilities section of this manual. For example, if improper tools are used to remove or hold the flywheel when servicing the clutch, structural damage to the flywheel can occur and cause the flywheel to burst.
- **Make certain the saw chain stops moving when the throttle trigger is released.** For correction, refer to "Carburetor Adjustments."
- **Stop the saw if the chain strikes a foreign object.** Inspect the unit and repair or replace parts as necessary.
- **Disconnect the spark plug before performing any maintenance** except for carburetor adjustments.
- **Never modify your saw in any way.** Use only attachments supplied or specifically recommended by the manufacturer.

TRANSPORTING AND STORAGE

- Stop the unit before transporting.
- Allow the engine to cool, cover the bar and chain, and secure the unit before storing or transporting in a vehicle.
- Empty the fuel tank before storing or transporting the unit. Use up any fuel left in the carburetor by starting the engine and letting the engine run until it stops.
- Store unit and fuel in an area where fuel vapors cannot reach sparks or open flames from water heaters, electric motors or switches, furnaces, etc.
- Store unit so the chain cannot accidentally cause injury.
- Store the unit out of the reach of children.

GUARD AGAINST KICKBACK – Kickback is a dangerous reaction that can lead to serious injury.



KICKBACK WARNING: KICKBACK CAN OCCUR WHEN THE MOVING CHAIN CONTACTS AN OBJECT AT THE UPPER PORTION OF THE TIP OF THE GUIDE BAR OR WHEN THE WOOD CLOSES IN AND PINCHES THE CHAIN IN THE CUT. CONTACT AT THE UPPER PORTION OF THE TIP OF THE GUIDE BAR CAN CAUSE THE CHAIN TO DIG INTO THE OBJECT, WHICH STOPS THE CHAIN FOR AN INSTANT. THE RESULT IS A LIGHTNING FAST, REVERSE REACTION WHICH KICKS THE GUIDE BAR UP AND BACK TOWARD THE OPERATOR. IF THE CHAIN IS PINCHED ALONG THE TOP OF THE GUIDE BAR, THE GUIDE BAR CAN BE DRIVEN RAPIDLY BACK TOWARD THE OPERATOR. EITHER OF THESE REACTIONS CAN CAUSE LOSS OF SAW CONTROL WHICH CAN RESULT IN SERIOUS INJURY. DO NOT RELY ONLY ON THE SAFETY DEVICES PROVIDED WITH YOUR SAW. AS A CHAIN SAW USER, YOU MUST TAKE SPECIAL SAFETY PRECAUTIONS TO HELP KEEP YOUR CUTTING JOBS FREE FROM ACCIDENT OR INJURY.

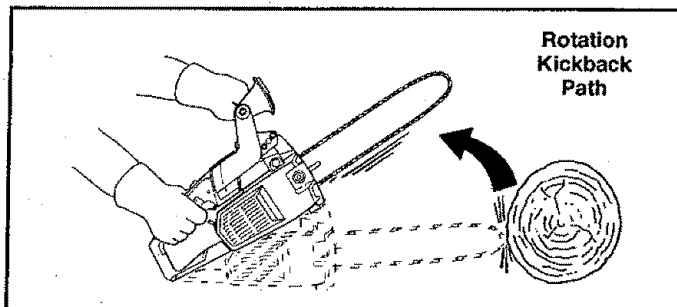


Figure 2

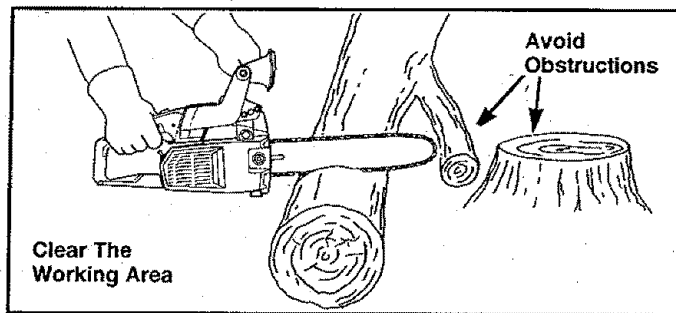


Figure 3

SAFETY RULES

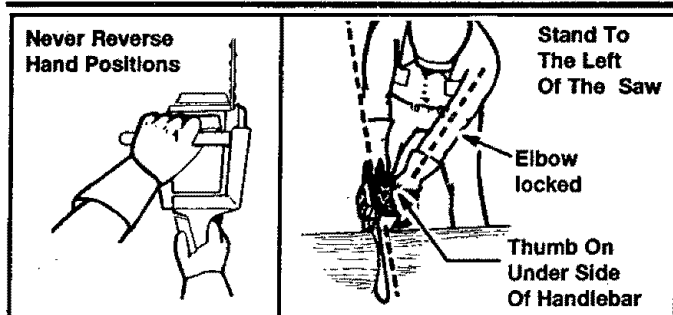


Figure 4

REDUCE THE CHANCE OF KICKBACK

- **Recognize that kickback can happen.** With a basic understanding of kickback, you can reduce the element of surprise which contributes to accidents.
- **Never let the moving chain contact any object at the tip of the guide bar.** Figure 2
- **Keep the working area free from obstructions** such as other trees, branches, rocks, fences, stumps, etc. Figure 3. Eliminate or avoid any obstruction that your chain could hit while you are cutting through a particular log or branch.
- **Keep your chain sharp and properly tensioned.** A loose or dull chain can increase the chance of kickback to occur. Follow manufacturer's chain sharpening and maintenance instructions. Check tension at regular intervals with the engine stopped, never with the engine running. Make sure the bar clamp nuts are securely tightened after tensioning the chain.
- **Begin and continue cutting at full throttle.** If the chain is moving at a slower speed, there is greater chance for kickback to occur.
- **Cut one log at a time.**
- **Use extreme caution when re-entering a previous cut.**
- **Do not attempt plunge cuts.**
- **Watch for shifting logs** or other forces that could close a cut and pinch or fall into chain.
- **Use the Reduced-Kickback Guide Bar and Low-Kickback Chain** specified for your saw.

KICKBACK SAFETY FEATURES



WARNING:
THE FOLLOWING FEATURES ARE INCLUDED ON YOUR SAW TO HELP REDUCE THE HAZARD OF KICKBACK; HOWEVER, SUCH FEATURES WILL NOT TOTALLY ELIMINATE THIS DANGEROUS REACTION. AS A CHAIN SAW USER, DO NOT RELY ONLY ON SAFETY DEVICES. YOU MUST FOLLOW ALL SAFETY PRECAUTIONS, INSTRUCTIONS, AND MAINTENANCE IN THIS MANUAL TO HELP AVOID KICKBACK AND OTHER FORCES WHICH CAN RESULT IN SERIOUS INJURY.

- **Reduced-Kickback Guide Bar**, designed with a small radius tip which reduces the size of the kickback danger zone on the guide bar tip. Figure 5. A Reduced-Kickback Guide Bar is one which has been demonstrated to significantly reduce the number and seriousness of kickbacks when tested in accordance with ANSI B175.1-1991.
- **Low-Kickback Chain**, designed with a contoured depth gauge and guard link which deflects kickback force and allow wood to gradually ride into the cutter. Figure 5. Low-Kickback Chain is chain which has met kickback performance requirements of ANSI B175.1 when tested on a representative sample of chain saws below 3.8 cubic inch displacement specified in ANSI B175.1

MAINTAIN CONTROL

- **Keep a good, firm grip on the saw with both hands when the engine is running and don't let go.** Figure 4. A firm grip can neutralize kickback and help you maintain control of the saw. Keep the fingers of your left hand encircling and your left thumb under the front handlebar. Keep your right hand completely around the rear handle whether you are right handed or left handed. Keep your left arm straight with the elbow locked.
- **Position your left hand on the front handlebar so it is in a straight line with your right hand on the rear handle when making bucking cuts.** Figure 4. Never reverse right and left hand positions for any type of cutting.
- **Stand with your weight evenly balanced on both feet.**
- **Stand slightly to the left side of the saw to keep your body from being in a direct line with the cutting chain.** Figure 4.
- **Do not overreach.** You could be drawn or thrown off balance and lose control of the saw.
- **Do not cut above shoulder height.** It is difficult to maintain control of saw above shoulder height.

UNDERSTANDING REACTIVE FORCES

Pinch-Kickback and Pull-In occur when the chain is suddenly stopped by being pinched, caught, or by contacting a foreign object in the wood. This sudden stopping of the chain results in a reversal of the chain force used to cut wood and causes the saw to move in the opposite direction of the chain rotation. Either reaction can result in loss of control and possible serious injury.

- **Pinch-Kickback**
 - occurs when chain on top of guide bar is suddenly stopped.
 - rapidly drives saw straight back toward operator.
- **Pull-In**
 - occurs when the chain on the bottom of the guide bar is suddenly stopped.
 - pulls the saw rapidly forward.

- **Handguard**, designed to reduce the chance of your left hand contacting the chain if your hand slips off the front handlebar.
- **Position front and rear handlebars**, designed with distance between handles and "in-line" with each other. The spread and "in-line" position of the hands provided by this design work together to give balance and resistance in controlling the pivot of the saw back toward the operator if kickback occurs.
- ANSI B175.1-1991 – Safety requirements for gasoline powered chain saws as set by the American National Standards Institute, Inc., Standard B175.1-1991.

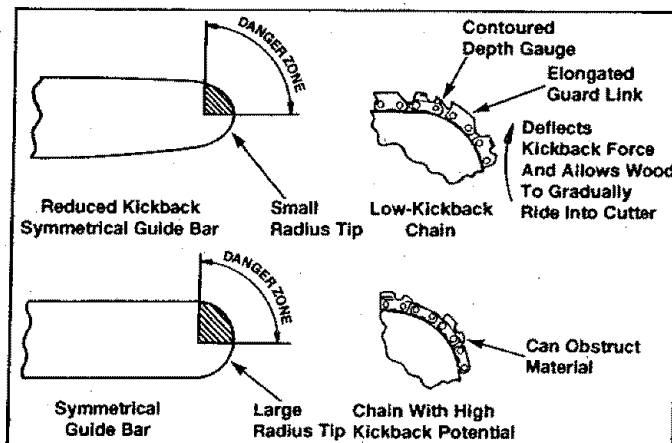


Figure 5

CONGRATULATIONS on your purchase of a Sears Craftsman Gas chain Saw. It has been designed, engineered and manufactured to give you the best possible dependability and performance.

Should you experience any problems you cannot easily remedy, please contact your nearest Sears Service Center /Department. Sears has competent, well trained technicians and the proper tools to service or repair this unit.

Please read and retain this manual. The instructions will enable you to assemble and maintain your unit properly. Always observe the "SAFETY RULES."

MODEL NUMBER: 358.352380
358.356180
358.356230

SERIAL NUMBER: _____

DATE OF PURCHASE: _____

THE MODEL AND SERIAL NUMBER WILL BE FOUND ON THE PRODUCT.

YOU SHOULD RECORD BOTH SERIAL NUMBER AND DATE OF PURCHASED AND KEEP IN A SAFE PLACE FOR FUTURE REFERENCE.

MAINTENANCE AGREEMENT

A Sears Maintenance Agreement may be available on this product. Contact your nearest Sears Store for details.

CUSTOMER RESPONSIBILITIES

- Read and observe the safety rules.
- Follow a regular schedule in maintaining, caring for, and using your unit.
- Follow the instruction under "Customer Responsibilities" and "Storage" sections of this Operator's Manual.

PRODUCT SPECIFICATIONS

GUIDE BAR..... 18" Guide Bar
CHAIN.....Low Profile 3/8" Pitch
Chrome Cutters
DISPLACEMENT.....2.3 cu. in./38 cc
ENGINE.....2-cycle Air Cooled
FUEL MIX..... 40:1 (3.2 oz oil per gallon
gas)
OILER..... Automatic
IGNITION..... Solid State
SPARK PLUG.....Champion (CJ-7Y)
SEARS 71-85849 Std.
SPARK PLUG GAP......025"
MUFFLER..... Temperature Limiting/
Spark Arresting Screen

SPECIAL NOTICE

Your saw is equipped with a temperature limiting muffler and spark arresting screen which meets the requirements of California Codes 442 and 443. All U.S. forest land and the states of California, Idaho, Maine, Minnesota, New Jersey, Washington, and Oregon require many internal combustion engines to be equipped with a spark arrestor screen by law.

If you operate a chain saw in a state or locale where such regulations exist, you are legally responsible for maintaining the operating condition of these parts. Failure to do so is a violation of the law. Refer to the Spark Arrestor section under "Customer Responsibilities" for maintenance.

MANUFACTURED UNDER THE FOLLOWING U.S. PATENT: 4,940,028. OTHER U.S. AND FOREIGN PATENTS PENDING.

FULL ONE YEAR WARRANTY ON CRAFTSMAN GAS CHAIN SAW

For One Year from date of purchase, when this Craftsman Chain Saw is maintained, lubricated, and tuned up according to the owners manual, Sears will repair, free of charge, any defect in material or workmanship.

This warranty excludes the bar, chain, spark plug and air filter, which are expendable parts, and become worn during normal use.

If this Gas Chain Saw is used for commercial or rental purposes this warranty applies for 30 days from the date of purchase.

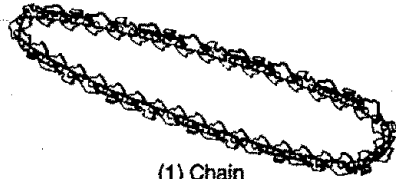
WARRANTY SERVICE AVAILABLE BY RETURNING THIS CHAIN SAW TO THE NEAREST SEARS SERVICE CENTER IN THE UNITED STATES.

This warranty gives you specific legal rights, and you may also have other rights which vary from state to state.

SEARS, ROEBUCK AND CO., DEPT. 817WA, HOFFMAN ESTATES, IL 60179

HARDWARE CONTENTS

Parts bag contents not shown full size

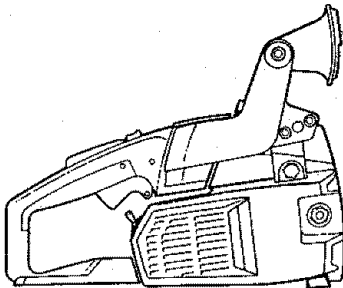


(1) Chain
356180 - (2) Chains

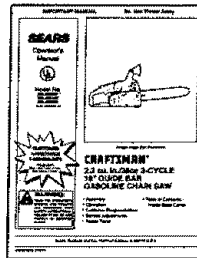


Bar Tool

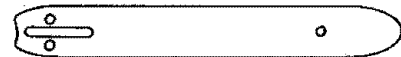
Parts packed separately in carton



ENGINE



OPERATOR'S MANUAL



GUIDE BAR



2-CYCLE
ENGINE OIL
(Bar Oil not included)
Purchase Craftsman Bar
and Chain Oil Separately

TOOLS REQUIRED FOR ASSEMBLY

- Bar Tool (included)

IMPORTANT: MODEL 358.352380 IS A FULLY ASSEMBLED UNIT. THE HANDGUARD, GUIDE BAR, AND CHAIN HAVE BEEN PRE-ASSEMBLED.

TO REMOVE CHAIN SAW FROM CARTON

- Remove loose parts included with chain saw.
- Slide guide bar out of cardboard liner.
- Use cardboard liner as a work surface during assembly of saw.

NOTE: It is normal to hear the fuel filter rattle in an empty fuel tank.

ASSEMBLY



WARNING:

IF THIS UNIT IS RECEIVED ASSEMBLED, REPEAT ALL STEPS IN THIS SECTION TO BE SURE ASSEMBLY IS CORRECT AND PROPERLY ADJUSTED FOR THE OPERATOR.

HOW TO ASSEMBLE YOUR CHAIN SAW

BAR AND CHAIN ASSEMBLY (Fig. 7, 8, 9, 10, 11, 12, 13 & 14)



DANGER:

DO NOT START THE ENGINE WITHOUT THE GUIDE BAR AND CHAIN COMPLETELY ASSEMBLED. OTHERWISE, THE CLUTCH CAN COME OFF AND SERIOUS INJURY CAN RESULT.

- Loosen and remove bar clamp nut.
- Loosen and remove bar clamp screw.
- Remove bar clamp.
- Remove and throw away shipping spacer. (Color of shipping spacer may vary.)

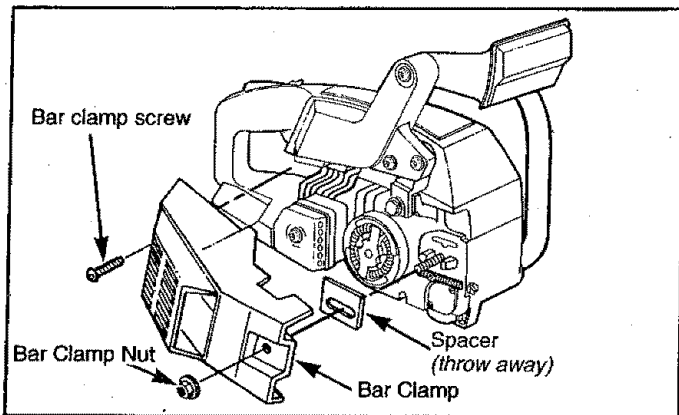


Figure 6

- Turn adjusting screw *by hand* counterclockwise until adjusting pin just touches the stop.

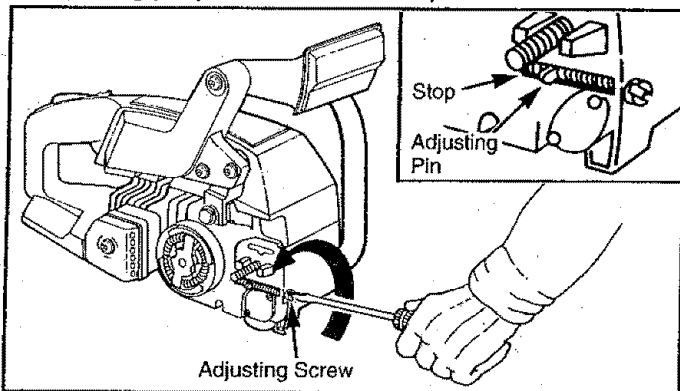


Figure 7

- Mount guide bar with slotted end over the guide bar mounting bolt.
- Insert adjusting pin in the lower hole in the guide bar.

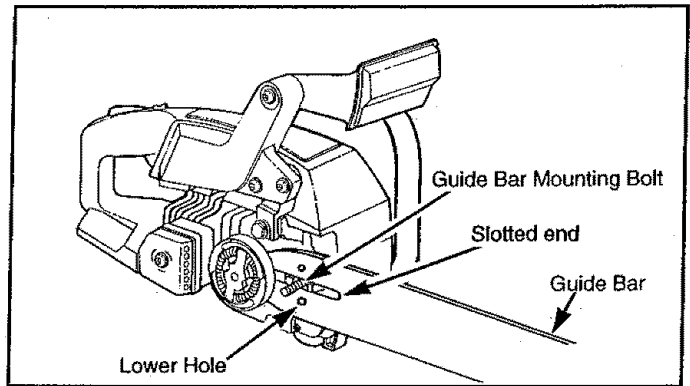


Figure 8

- Carefully remove chain from bag. Hold chain with the drive links as shown in figure 9.
- Place chain over and behind the clutch drum. Fig. 10.
- Fit bottom of drive links between teeth in nose sprocket.
- Fit chain drive links into top of guide bar. Fig. 11.

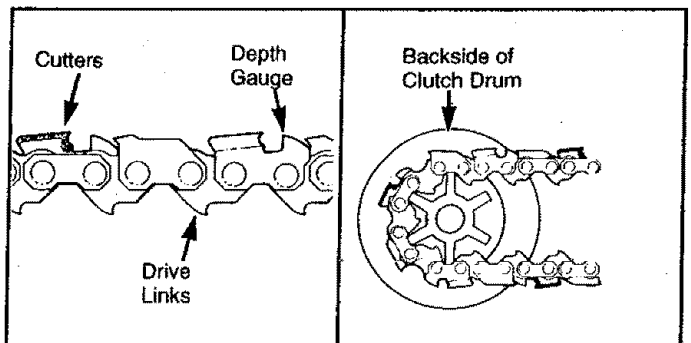


Figure 9

Figure 10

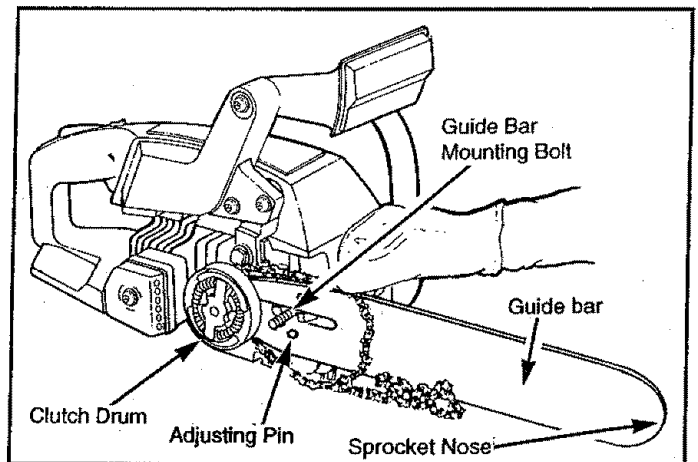


Figure 11

ASSEMBLY

- Pull guide bar forward until chain is snug in guide bar groove.
- Install bar clamp.

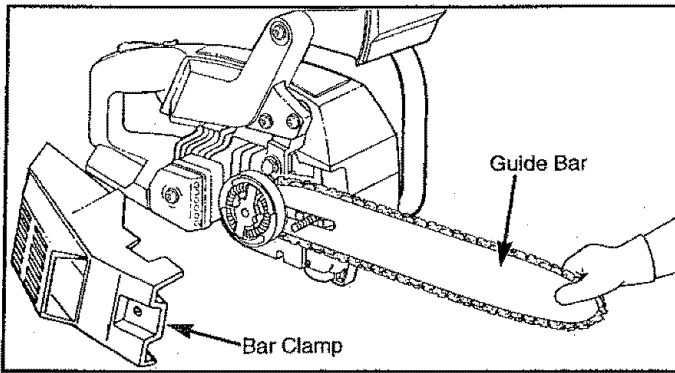


Figure 12

- Install bar clamp screw.
- Install bar clamp nut and finger tighten only. *Do not* tighten any further at this point.
- Now proceed to the "Chain Adjustment" section.

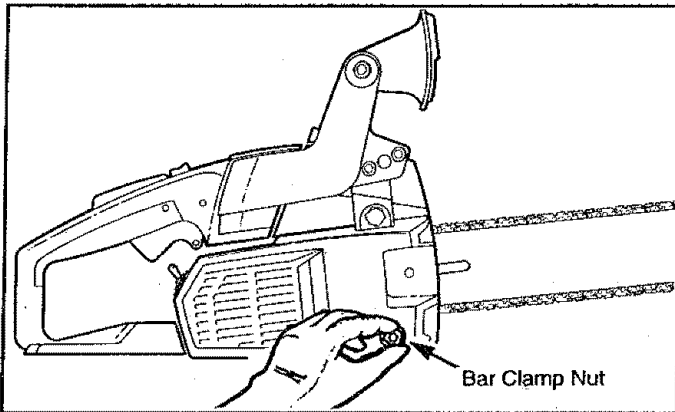


Figure 13

CHAIN ADJUSTMENT (Fig. 14, 15 & 16)

- Roll chain around guide bar to ensure kinks do not exist, (rotates freely).
- Turn adjusting screw clockwise until chain just barely touches the bottom of guide bar.

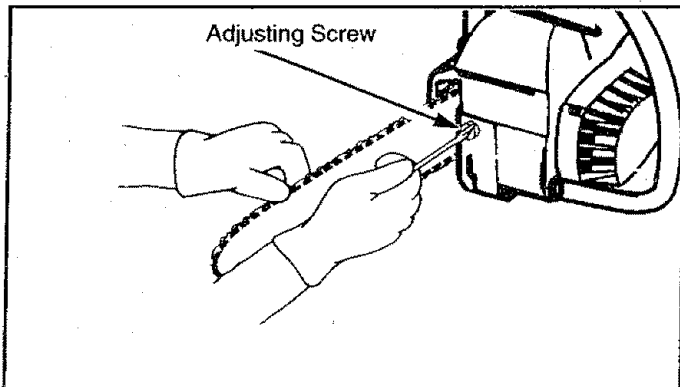


Figure 14

- Lift up tip of guide bar to check for sag, release tip of guide bar, then turn adjusting screw 1/4 turn clockwise. Repeat this step until a sag does not exist.
- While lifting tip of guide bar, tighten bar clamp nut with the bar tool (provided). Torque 10-20 ft-lbs.

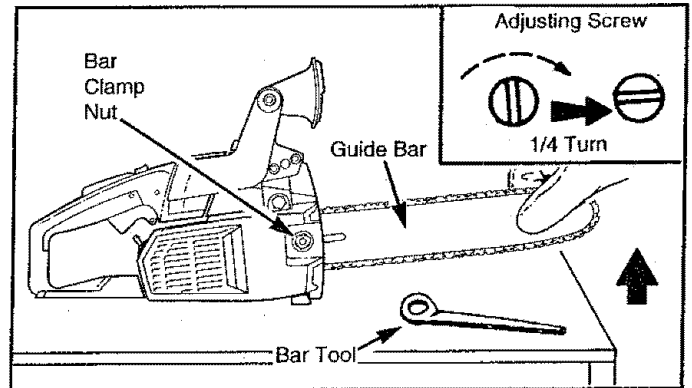


Figure 15

To check chain tension:

- Use the screwdriver end of the bar tool to move chain around the guide bar.
- If chain does not rotate, it is too tight – slightly loosen bar clamp nut and turn adjusting screw 1/4 turn counterclockwise. Re-tighten bar clamp nut.
- If chain is too loose, loosen bar clamp nut; then, turn adjusting screw 1/4 turn clockwise. Lift up tip of guide bar to check for sag. Re-tighten bar clamp nut.

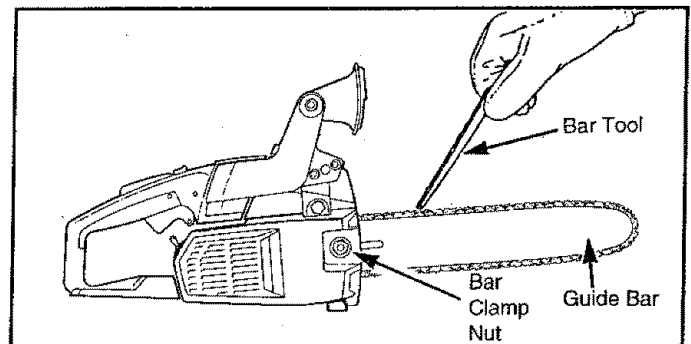


Figure 16

CHECK LIST

- Make sure the bar clamp nut is tight and there are no loose parts.
- Make sure the guide bar and chain are secure.
- Make sure bar clamp screw is tight.

OPERATION

KNOW YOUR CHAIN SAW (Fig. 17)

READ THIS OPERATOR'S MANUAL AND SAFETY RULES BEFORE OPERATING YOUR CHAIN SAW. Compare the illustrations with your unit to familiarize yourself with the location of various controls and adjustments. Save this manual for future reference.

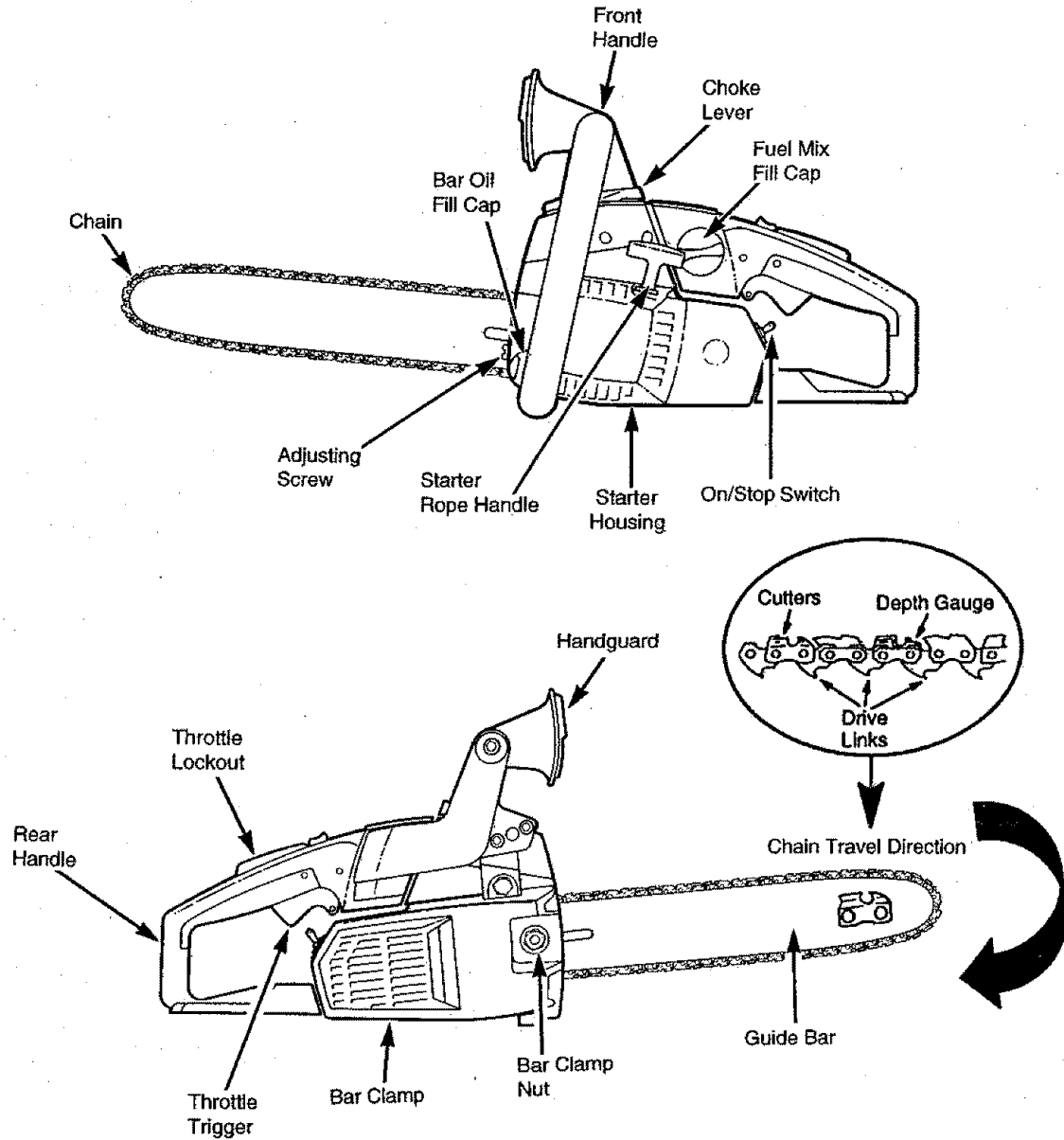


Figure 17

The ON/STOP SWITCH is used to stop the engine.

The STARTER ROPE HANDLE is used for starting the engine.

The CHOKE LEVER provides additional fuel to the engine when starting a cold engine.

The THROTTLE LOCKOUT prevents the THROTTLE TRIGGER from being squeezed accidentally.

The THROTTLE TRIGGER controls engine speed.

The GUIDE BAR is designed to carry the chain.

The CUTTERS are designed to cut the wood.

The BAR CLAMP NUT is designed to hold the guide bar after adjustments have been completed.

The ADJUSTING SCREW is designed to tension the chain around the guide bar.

OPERATION

STOPPING YOUR ENGINE

- Move ON/STOP switch to the "Stop" position.
- If engine does not stop, move choke lever to the "On" position.

CHAIN OILER (Fig. 18)

- Your chain saw will consume one tank of bar oil for each tank of fuel used.
- The chain oiler provides continuous lubrication to the chain and guide bar. Be sure to fill the bar oil tank when you fill the fuel tank (Capacity = 10.4 fl.oz.).

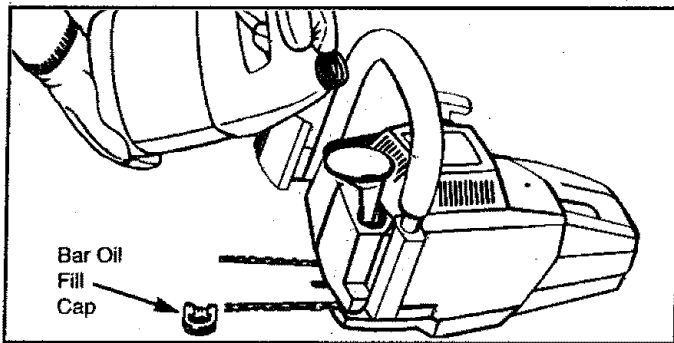


Figure 18

THROTTLE TRIGGER & LOCKOUT (Fig. 19)

- The throttle trigger controls engine speed. At idle, a centrifugal clutch automatically disengages the chain.
- The throttle lockout prevents unintentional activation of the throttle trigger. Also, the throttle lockout must be depressed before the throttle trigger can be depressed.

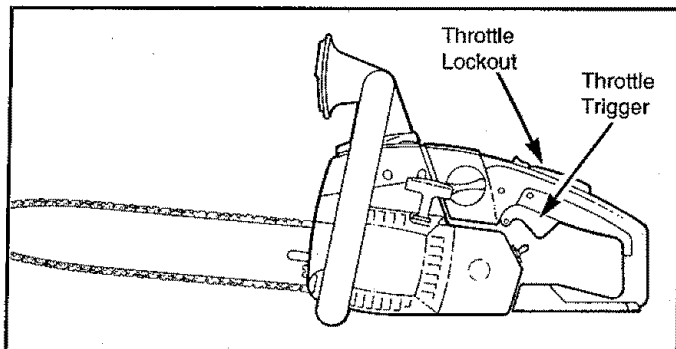


Figure 19

CUTTING TECHNIQUES (Fig. 20 & 21)

- Overcutting – begin on the top side of the log with the bottom of the saw against the log; exert light pressure downward.
- Undercutting – begin on the under side of the log with the top of the saw against the log; exert light pressure upward. During undercutting, the saw will tend to *push* back at you. Be prepared for this reaction and hold the saw firmly to maintain control.

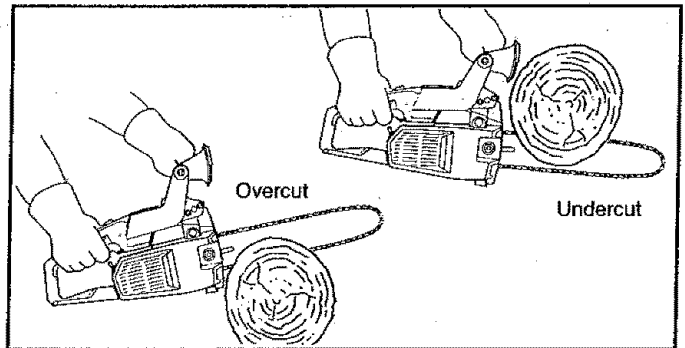


Figure 20

- Position the bottom of the front saw frame against the log.
- During cutting, keep the saw frame against the log.

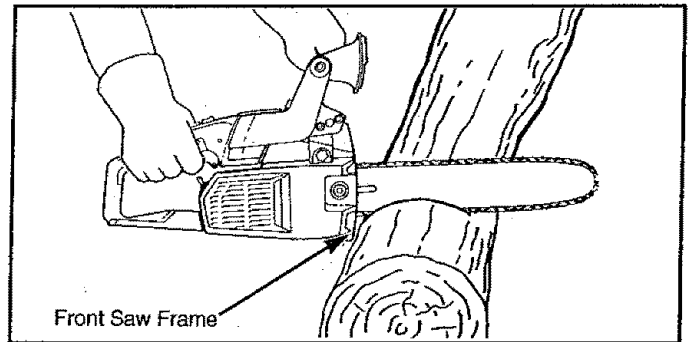


Figure 21

CUTTING SPEED

- Accelerate engine to full throttle before entering cut by squeezing the throttle trigger.
- Never cut with engine at partial throttle speed.

OPERATION USE/TIPS

- Cut wood only. Do not cut metal; plastics; masonry; non-wood building materials; etc.
- Stop the saw if the chain strikes a foreign object. Inspect the saw and repair or replace parts as necessary.
- Keep the chain out of dirt and sand. Even a small amount of dirt will quickly dull a chain and thus increase the possibility of kickback.

To get the "feel" of using your saw before you begin a major sawing operation, practice cutting a few small logs using the following technique:

- Accelerate engine to full throttle before entering cut by squeezing the throttle trigger.
- Begin cutting with the saw frame against the log.
- Keep engine at full throttle during cutting procedure.
- Allow the chain to cut for you; exert only light downward pressure. If you force the cut, damage to the bar, chain, or engine can result.
- Release the throttle trigger as soon as the cut is completed, allowing the engine to idle. If you run the unit at full throttle without cutting, unnecessary wear can occur to the chain, bar, and engine.
- To avoid losing control when completing the cut, do not put pressure on the saw during the end of the cut.
- Stop engine before setting unit down after operation.

OPERATION – SAFETY

GENERAL SAFETY



WARNING:

IF SAW BECOMES PINCHED OR HUNG IN A LOG, DO NOT TRY TO FORCE IT OUT. YOU CAN LOSE CONTROL OF THE SAW RESULTING IN INJURY AND/OR DAMAGE TO THE SAW. STOP THE SAW, DRIVE A WEDGE OF PLASTIC OR WOOD INTO THE CUT UNTIL THE SAW CAN BE REMOVED EASILY. RESTART THE SAW AND CAREFULLY RE-ENTER THE CUT. TO AVOID KICKBACK AND CHAIN DAMAGE, DO NOT USE A METAL WEDGE. DO NOT ATTEMPT TO RE-START YOUR SAW WHEN IT IS PINCHED OR HUNG IN A LOG.

KICKBACK CAN OCCUR WHEN THE MOVING CHAIN CONTACTS AN OBJECT AT THE UPPER PORTION OF THE TIP OF THE GUIDE BAR OR WHEN THE WOOD CLOSES IN AND PINCHES THE SAW CHAIN IN THE CUT. CONTACT AT THE UPPER PORTION OF THE TIP OF THE GUIDE BAR CAN CAUSE THE CHAIN TO DIG INTO THE OBJECT AND STOP THE CHAIN FOR AN INSTANT. THE RESULT IS A LIGHTNING FAST, REVERSE REACTION WHICH KICKS THE GUIDE BAR UP AND BACK TOWARD THE OPERATOR. IF THE SAW CHAIN IS PINCHED ALONG THE TOP OF THE GUIDE BAR, THE GUIDE BAR CAN BE DRIVEN RAPIDLY BACK TOWARD THE OPERATOR. EITHER OF THESE REACTIONS CAN CAUSE LOSS OF SAW CONTROL WHICH CAN RESULT IN SERIOUS INJURY.

AVOID REACTIVE PINCH FORCES

Pinch-Kickback and Pull-In occur when the chain is suddenly stopped by being pinched, caught, or by contacting a foreign object in the wood. This sudden stopping of the chain results in a reversal of the chain force used to cut wood and causes the saw to move in the opposite direction of the chain rotation. Pinch-Kickback drives the saw straight back toward the operator. Pull-In pulls the saw away from the operator. Either reaction can result in loss of control and possibly serious injury.

TO AVOID PINCH-KICKBACK:

- Be extremely aware of situations or obstructions that can cause material to pinch the top of or otherwise stop the chain.
- Do not cut more than one log at a time.
- do not twist the saw as the bar is withdrawn from an under-cut when bucking.

TO AVOID PULL-IN:

- Always begin cutting with the engine at full throttle and the front saw frame against the wood.
- Use wedges made of plastic or wood, (never of metal) to hold the cut open.

OPERATION

TREE FELLING



WARNING:

IF THE TRUNK OR LIMBS ARE ROTTING, THEY CAN FALL UNEXPECTEDLY AND CAUSE SERIOUS INJURY.

AS YOU MAKE YOUR FELLING CUT, IF THE SAW APPEARS TO BE BINDING, THE TREE IS STARTING TO FALL IN THE WRONG DIRECTION. IMMEDIATELY STOP THE SAW AND USE A FELLING WEDGE AND MAUL (HAMMER) TO FORCE THE FELLING CUT OPEN. THE WEDGE WILL HOLD THE FELLING CUT OPEN ALLOWING YOU TO REMOVE THE SAW.

KEEP EVERYONE AWAY FROM THE TREE IN ALL DIRECTIONS.

DETERMINE THE NATURAL FALL DIRECTION

- Wind – A tree evenly balanced will fall in the same direction the wind is blowing.
- Lean – Use a carpenter's level or plumb bob to determine if tree has a natural lean. A leaning tree will tend to fall in direction of lean.
- Shape – A tree will tend to fall towards side that is more heavily branched.
- Other Factors – Contacting or nearby trees, buildings, or wires can influence the direction the tree will fall.

CUTTING PROCEDURE (Fig. 22)

After determining the Natural Fall Direction, the tree should be cut as follows:

IMPORTANT: BEFORE FELLING A TREE, MAKE SURE YOU HAVE AT LEAST 3 FELLING WEDGES AND A MAUL (HAMMER) AVAILABLE FOR USE IF NEEDED.

- Use some means to visually mark the Natural Fall Direction.
- Mark your notch cut on the Natural Fall Direction side of the tree approximately 18-24 inches above the ground.
- Cut top of the notch first at a 45 degree angle. Saw through 1/3 of the width of the tree.
- Cut bottom of the notch at a 45 degree angle until you meet the top notch cut. Remove notch of wood.
- On the side of the tree opposite the notch cut, make the felling cut. The felling cut should be 2 inches above the center point of the notch cut. Before the felling cut is complete, use wedges to open the cut when necessary to control the direction of the fall. Use wood or plastic wedges, but *never* steel or iron, to avoid kickback and chain damage.
- Cracking sounds, widening of the felling cut, movement in the upper branches are all signs that the tree is ready to fall.
- As tree begins to fall, move ON/STOP switch to "Stop" position, set it down, and move quickly away from direction of fall.

If your chain saw binds in the felling cut, you have three options:

- If the wrong direction of fall is acceptable, carefully remove the felling wedge. Cut deeper in the notch side of the tree until tree starts to fall.

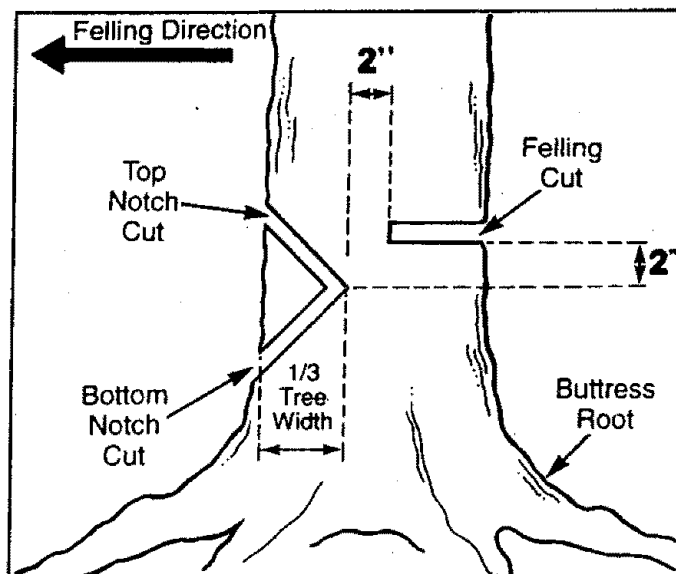


Figure 22

- If the wrong direction of fall is **not** acceptable, attempt to use one or more felling wedges to force the tree in the original direction of fall. Do so by driving the wedges deeper into the felling cut.
- Keep everyone away from the tree in all directions and then seek professional help!

NOTE: For trees less than 6 inches in diameter, make a single felling cut on the side away from the direction of fall. Cut through until tree begins to fall. Then turn off saw, set it down, and move quickly away from direction of fall.

OPERATION USE/TIPS

- Clear the work area of debris where you can have secure footing.
- Make sure there is enough room for the tree to fall. Maintain a distance of 2 1/2 tree lengths from the nearest person or other objects. Engine noise can drown out a warning call.
- Remove dirt, stones, loose bark, nails, staples, and wire from the tree where cuts are to be made.
- Plan to stand on the up-hill side when cutting on a slope.
- Plan a clear retreat path to the rear and diagonal to the line of fall.
- If unsure about which way a tree will fall, use the notch cutting method.
- Large buttress roots should be removed prior to notch cut.
- Use a wedge if there is any chance that the tree will not fall in the desired direction.
- We recommend you cut branches below shoulder height before felling tree. (See Limbing and Pruning).

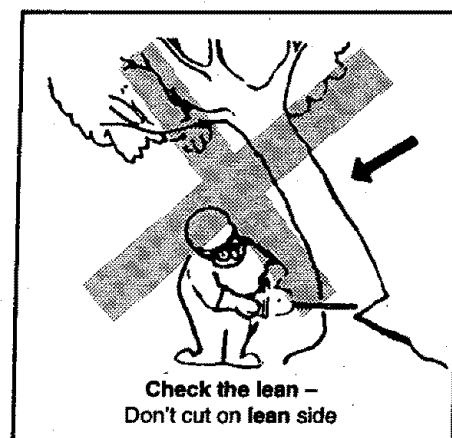
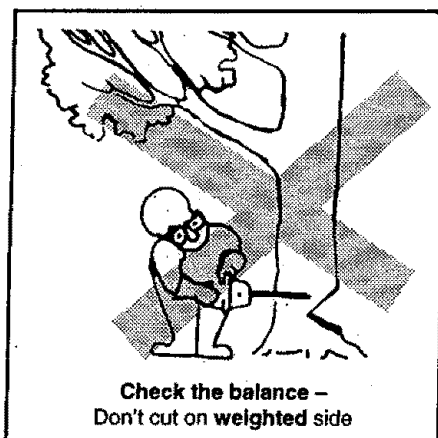
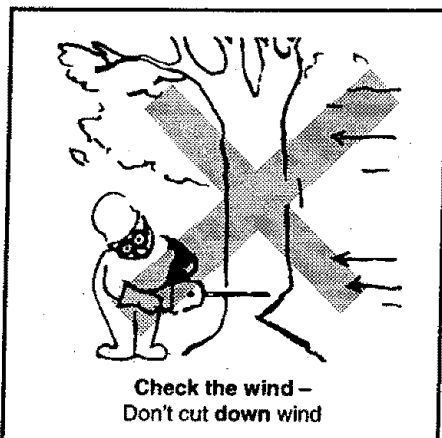
Be alert to signs that the tree is ready to fall:

- Cracking sounds.
- Widening of the felling cut.
- Movement in the upper branches.

OPERATION – SAFETY

FELLING SAFETY

DON'T PUT YOURSELF IN THESE POSITIONS



WARNING:

DO NOT CUT:

- NEAR ELECTRICAL WIRES OR BUILDINGS.
- IF YOU DO NOT KNOW THE DIRECTION OF TREE FALL.
- AT NIGHT.
- DURING BAD WEATHER – RAIN, SNOW, STRONG WIND, ETC.

- **Look for decay and rot.** If the trunk is rotted, it can snap and fall toward the operator.
- **Check for broken or dead branches** which can fall on you while cutting.
- Be extremely cautious with partially fallen trees that may be poorly supported. When a tree doesn't fall completely, set the saw aside and pull down the tree with a cable winch, block and tackle, or tractor. To avoid injury, do not cut down a partially fallen tree with your saw.

OPERATION

BUCKING

Bucking is cutting a fallen tree to the desired log size.

TYPES OF CUTTING (Fig. 23)

- Overcutting – begin on the top side of the log with the bottom of the saw against the log; exert light pressure downward.
- Undercutting – begin on the under side of the log with the top of the saw against the log; exert light pressure upward. During undercutting, the saw will tend to *push* back at you. Be prepared for this reaction and hold the saw firmly to maintain control.

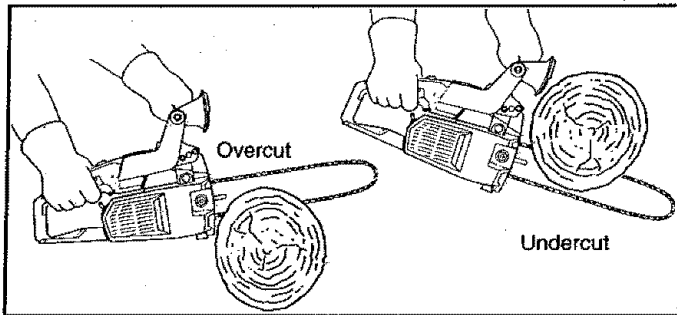


Figure 23

BUCKING ON THE GROUND (Fig. 24)

- Overcut with a 1/3 diameter cut.
- Roll log over and finish with an overcut using a wedge to hold open the cut.

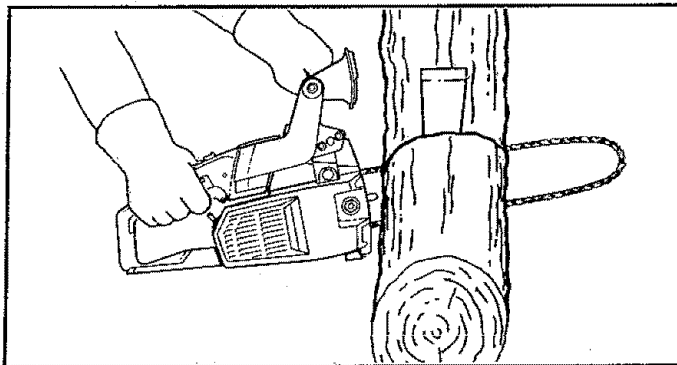


Figure 24

BUCKING USING A SUPPORT (Fig. 25 & 26)

Another log or a stand, such as a sawhorse, may be used as supports when bucking.

- Area A – Undercut 1/3 of the way through the log.
– Finish with an overcut.
- Area B – Overcut 1/3 of the way through the log.
– Finish with an undercut.

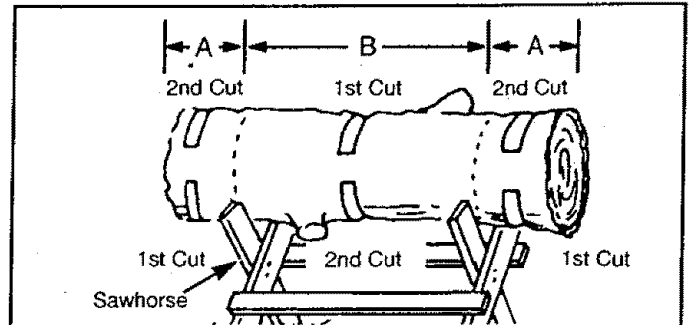


Figure 25

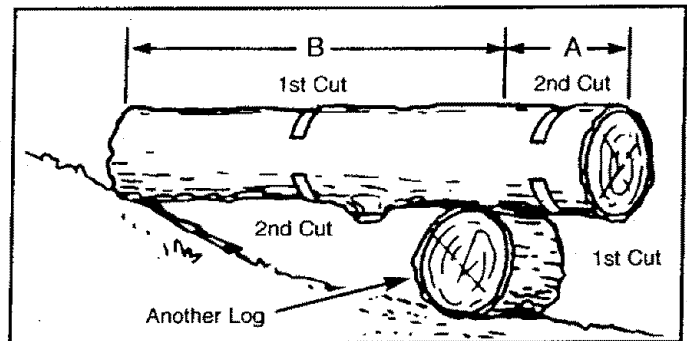


Figure 26

OPERATING USE/TIPS

- Cut only one log at a time.
- Cut shattered wood very carefully. Sharp pieces of wood could be flung toward the operator.
- Use a sawhorse to cut small logs. Never allow another person to hold the log while cutting and never hold the log with your leg or foot.
- Do not cut in an area where logs, limbs, and roots are tangled such as in a blown down area. Drag the logs into a clear area before cutting by pulling out exposed and cleared logs first.
- Give special attention to logs under strain to prevent the saw from pinching. Make the first cut on the pressure side to relieve the stress on the log.

OPERATION – SAFETY

BUCKING SAFETY

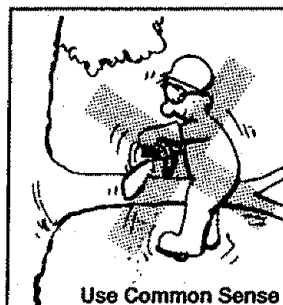
- Stay on uphill side of tree when cutting.



WARNING:

DO NOT STAND ON THE LOG BEING CUT. ANY PORTION CAN ROLL CAUSING LOSS OF FOOTING AND CONTROL.

NEVER TURN THE SAW UPSIDE DOWN TO UNDERCUT. THE SAW CANNOT BE CONTROLLED IN THIS POSITION.



OPERATION

LIMBING AND PRUNING

Pruning is removing branches from a standing tree. Limbing is removing branches from a felled tree.

LIMBING (Fig. 27)

- Start at base of the felled tree and work toward the top.
- Leave the larger limbs underneath the felled tree to support the tree as you work.

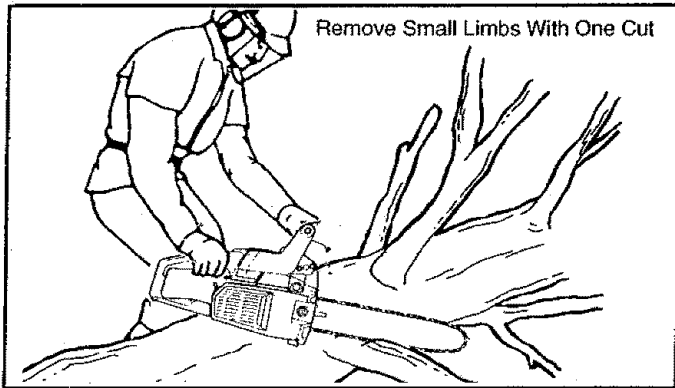


Figure 27

PRUNING (Fig. 28)

Small branches – smaller than width of guide bar.
Large branches – larger than width of guide bar.

- Remove small limbs with one cut.
- Remove larger, supporting branches with the 1/3 – 2/3 cutting techniques described in the bucking section.

Pruning Procedure

- First – Undercut 1/3 of the way through the limb near the trunk of the tree.
- Second – Finish with an overcut farther out from the trunk until the limb falls.
- Third – Cut the remaining stump flush near trunk of the tree.

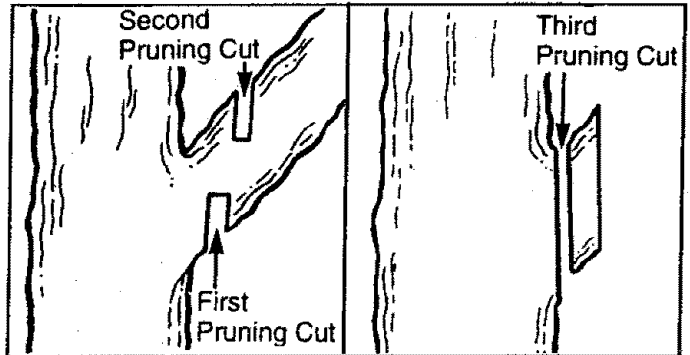


Figure 28

OPERATING USE/TIPS

- Work slowly, keeping both hands firmly gripped on the saw. Maintain secure footing and balance.
- Keep a clear work area. Frequently clear branches out of the way to avoid tripping over them.
- Leave the larger limbs underneath the felled tree to support the tree as you work.
- Start at the base of the felled tree and work toward the top.
- Keep the tree between you and the chain. Cut from the side of the tree opposite the branch you are cutting.
- Limit pruning to limbs shoulder height or below.
- Keep out of the way of the falling limb.

OPERATION-SAFETY

LIMBING AND PRUNING SAFETY



WARNING:

NEVER CLIMB INTO A TREE TO LIMB OR PRUNE UNLESS SPECIFICALLY TRAINED TO DO SO. DO NOT STAND ON LADDERS, PLATFORMS, A LOG, OR IN ANY POSITION WHICH CAN CAUSE YOU TO LOSE YOUR BALANCE OR CONTROL OF THE SAW.

BE ALERT FOR AND GUARD AGAINST KICKBACK. DO NOT ALLOW THE MOVING CHAIN TO CONTACT ANY OTHER BRANCHES OR OBJECTS AT THE NOSE OF THE GUIDE BAR WHEN LIMBING OR PRUNING. ALLOWING SUCH CONTACT CAN RESULT IN SERIOUS INJURY.

DO NOT CUT IF BRANCHES ARE HIGHER THAN YOUR SHOULDER. THIS MAY RESULT IN SERIOUS INJURY. GET A PROFESSIONAL TO DO THE JOB.

- **Watch out for springpoles.** Use extreme caution when cutting small size limbs. Slender material may catch the saw chain and be whipped toward you or pull you off balance.
- **Be alert for springback.** Watch out for branches that are bent or under pressure as you are cutting to avoid being struck by the branch or the saw when the tension in the wood fibers is release.

OPERATION

BEFORE STARTING THE ENGINE:



WARNING:

BE SURE TO READ THE FUEL SAFETY INFORMATION IN THE SAFETY RULES SECTION ON PAGE 2 OF THIS MANUAL BEFORE YOU BEGIN.

IF YOU DO NOT UNDERSTAND THE FUEL SAFETY SECTION DO NOT ATTEMPT TO FUEL YOUR UNIT; SEEK HELP FROM SOMEONE THAT DOES UNDERSTAND THE FUEL SAFETY SECTION OR CALL THE CUSTOMER ASSISTANCE HOTLINE AT 1-800-235-5878.

GUIDE BAR AND CHAIN OIL

For maximum guide bar and chain life, we recommend you use Craftsman chain saw bar oil. If Craftsman bar oil is not available, you may use a good grade SAE 30 oil until you are able to obtain Craftsman brand. The oil output is automatically metered during operation. Your saw will use one tank of bar oil for every tank of fuel mix. **Always fill the bar oil tank when you fill the fuel tank.**

GASOLINE

The two-cycle engine on this product requires a fuel mixture of regular unleaded gasoline and a high quality 40:1 2-cycle AIR-COOLED engine oil for lubrication of the bearings and other moving parts. The correct fuel/oil mixture is 40:1 (see Fuel Mixture Chart). Too little oil or the incorrect oil type will cause poor performance and may cause the engine to overheat and seize.

Gasoline and oil must be premixed in a clean approved fuel container. Always use fresh regular unleaded gasoline.

This engine is certified to operate on unleaded gasoline.

IMPORTANT: Experience indicates that alcohol blended fuels called gasohol (or using ethanol or methanol) can attract moisture, which leads to oil/gas separation and formation of acids during storage. Acidic gas can damage the fuel system of an engine while in storage. To avoid engine problems, the fuel system should be emptied before storage for 30 days or longer. Drain the gas tank, then run the fuel out of the carburetor and fuel lines by starting the engine and letting it run until it stops. Use fresh fuel next season. See "STORAGE" instructions for additional information. Never use engine or carburetor cleaner products in the fuel tank or permanent damage may occur.

FUEL STABILIZER

Fuel stabilizer is an acceptable alternative in minimizing the formation of fuel gum deposits during storage. Add stabilizer to gasoline in fuel tank or storage container. Always follow the fuel mix ratio found on the stabilizer container. Run engine at least 5 minutes after adding stabilizer to allow the stabilizer to reach the carburetor. You do not have to drain the fuel tank for storage if you are using fuel stabilizer.

CRAFTSMAN 40:1 2-cycle AIR-COOLED engine oil is specially blended with fuel stabilizers. If you do not use this Sears oil, you can add a fuel stabilizer (such as Craftsman No. 33500) to your fuel tank.

40:1 2-CYCLE AIR-COOLED ENGINE OIL:

CRAFTSMAN 40:1 2-cycle AIR-COOLED engine oil is strongly recommended. This oil is specially blended with fuel stabilizers for increased fuel stability (extends fuel life up to 5 times longer) and reduced smoke.

If CRAFTSMAN 40:1 2-cycle AIR-COOLED engine oil is not available, use a good quality 40:1 2-cycle AIR-COOLED engine oil that has a recommended fuel mix ratio of 40:1.

IMPORTANT! Do not use:

- AUTOMOTIVE OIL
- BOAT OILS (NMMA, BIA etc.)

These oils do not have proper additives for 2-cycle AIR-COOLED engines and can cause engine damage.

GASOLINE AND OIL MIXTURE

Mix gasoline and oil as follows:

- Consult chart for correct quantities.
- Do not mix gasoline and oil directly in the unit's fuel tank.

FOR ONE GALLON:

- Pour 3.2 ounces of high quality, 40:1 2-cycled AIR-COOLED engine oil into an empty, approved one gallon gasoline container.
- Add one gallon of regular unleaded gasoline to the gallon container, then securely replace the cap.
- Shake the container.
- The mixture is now ready for use. Fuel stabilizer can be added at this time if desired; follow mixing instructions on the label.

FUEL MIXTURE CHART

40:1 Fuel:Oil Mix Ratio

Gasoline	Oil (fl. oz.)
1 gallon	3.2
1.25 gallons	4.0
2.5 gallons	8.0

NOTE: One gallon fuel containers will hold more than one gallon. If too much gasoline is in the container, the resulting gas-to-oil fuel mixture will not be correct for proper engine operation.

OPERATION

STOPPING YOUR ENGINE

- Move ON/STOP switch to the "Stop" position.
- If engine does not stop, move choke lever to the "On" position.



WARNING:

ALWAYS WEAR GLOVES; SAFETY FOOTWEAR; SNUG-FITTING CLOTHING; AND EYE, HEARING, AND HEAD PROTECTION DEVICES WHEN OPERATING A CHAIN SAW.

THE CHAIN MUST NOT MOVE WHEN THE ENGINE RUNS AT IDLE SPEED. REFER TO THE "CARBURETOR ADJUSTMENTS" SECTION FOR CORRECTION.

BASIC STARTING PROCEDURE (Fig. 29 & 30)

- Fuel engine with a 40:1 2-cycle AIR-COOLED engine oil.
- Fill bar oil tank with Sears bar oil. Your saw will use approximately one tank of bar oil for each tank of fuel mix.
- When pulling the starter rope, do not use the full extent of the rope as this can cause the rope to break. Do not let the starter snap back – hold the handle and let the rope rewind slowly.
- Hold rear handle firmly with right hand. Make sure the saw chain is clear of obstructions and will not contact any object during starting.
- Move the ON/STOP switch to the "On" position.
- Squeeze and hold the throttle trigger (until the engine starts).
- Adjust choke according to "Starting Procedure for Varying Conditions".

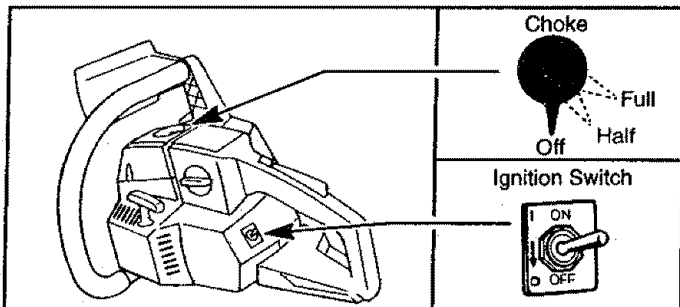


Figure 29

STARTING A COLD ENGINE OR WARM ENGINE AFTER RUNNING OUT OF FUEL

- Move choke lever to the "On" position.
- With the saw on the ground, grab front handle with left hand and place right foot on inside of rear handle.
- Pull starter rope handle with your right hand until engine attempts to run.
- Move choke lever to half choke position and continue to pull rope until engine starts.

- **Above 40 degrees**, allow engine to run for approximately 5 seconds, then push choke lever to off position and squeeze and release throttle lock and throttle trigger to allow the engine to idle.
- **Below 40 degrees**, allow engine to warm up 1 - 2 minutes with choke lever in "1/2" position, then push choke lever to "Off" position and release throttle trigger to allow the engine to idle.

STARTING A WARM ENGINE THAT HAS NOT RUN OUT OF FUEL

- Leave choke in the "off" position.
- With saw on the ground, grab front handle with left hand and place right foot on inside of rear handle.
- Move the start/stop switch to the "Start" position.
- Push down on the throttle lock-out, then squeeze the trigger. Press and hold down the throttle lock, then slowly release the trigger. When the trigger is released, the throttle lock is engaged.
- Pull starter rope handle with your right hand until engine runs.
- Squeeze and release the throttle trigger to release throttle lock, allowing engine to idle.

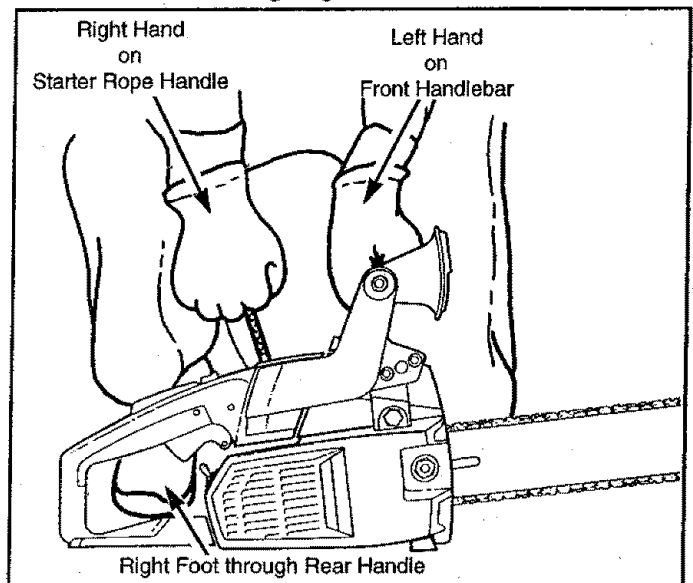


Figure 30

DIFFICULT STARTING

The engine may be flooded with too much fuel if it has not started after 20 pulls.

Flooded engines can be cleared of excess fuel with the following procedure:

- Leave choke in the "Off" position.
- Verify that the ON/STOP switch is in the "On" position.
- With saw on the ground, grab front handle with left hand and place right foot on inside of rear handle.
- Pull starter rope until engine starts.

Starting could require pulling the starter rope handle many times depending on how badly the unit is flooded.

If engine still fails to start, refer to the "TROUBLE SHOOTING" chart.

CUSTOMER RESPONSIBILITIES

MAINTENANCE SCHEDULE

Fill in dates as you complete regular service	Before Use	After Use	Every 5 Hrs.	Every 25Hrs.	Every Season	Service Dates				
Clean unit and labels		✓								
Check for damaged or worn parts	✓									
Check for loose fasteners and parts	✓		✓							
Check for Chain Sharpness	✓		✓							
Guide Bar Maintenance		✓	✓							
Check Vibrations Mounts	✓									
Check Clutch Drum Sprocket	✓									
Clean Air Filter			✓							
Service/Replace Spark Plug				✓	✓					
Clean/Inspect Spark Arrestor Screen and Inspect Muffler				✓	✓					
Check Guide Bar Lube	✓									
Filter in Fuel Tank				✓						

GENERAL RECOMMENDATIONS

The warranty on this unit does not cover items that have been subjected to operator abuse or negligence. To receive full value from the warranty, the operator must maintain unit as instructed in this manual.

Some adjustments will need to be made periodically to properly maintain your unit.

All adjustments in the "Service and Adjustments" section of this manual should be checked at least once each season.

- Once a year, replace the spark plug, replace air filter element and check guide bar and chain for wear. A new spark plug and a clean/new air filter element assures proper air-fuel mixture and helps your engine run better and last longer.
- Follow the maintenance schedule in this manual.



WARNING:
DISCONNECT THE SPARK PLUG BEFORE PERFORMING MAINTENANCE EXCEPT FOR CARBURETOR ADJUSTMENTS.

INSPECT THE ENTIRE UNIT. REPLACE DAMAGED PARTS. CHECK FOR FUEL LEAKS AND MAKE SURE ALL FASTENERS ARE IN PLACE AND SECURELY FASTENED.

BEFORE EACH USE

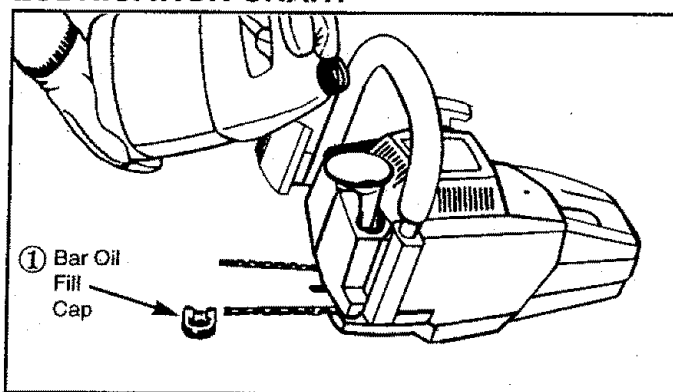
CHECK FOR DAMAGED/WORN PARTS

The following damaged/worn parts should be referred to your Sears Service Center.

NOTE: It is normal for a small amount of oil to appear under the saw after engine stops. Do not confuse this with a leaking oil tank.

- On/Stop Switch – ensure stop switch functions properly by moving the switch to the "Stop" position and assure that engine stops, then restart your engine and continue.
- Fuel Tank – discontinue use of chain saw if fuel tank shows signs of damage or leaks.
- Oil Tank – discontinue use of chain saw if oil tank shows signs of damage or leaks.
- Chain Catcher – replace chain catcher if bent, cut, or damaged in any way.

LUBRICATION CHART



① Craftsman chain saw bar oil

CUSTOMER RESPONSIBILITIES

CHECK FOR LOOSE FASTENERS/PARTS

- Bar Clamp Nut
- Chain
- Muffler
- Cylinder Shield
- Air Filter
- Clutch Drum/Sprocket
- Throttle Trigger/Lockout
- Handle Screws
- Vibration Mounts

GUIDE BAR LUBRICATION (Fig. 31)

For maximum guide bar and chain life, we recommend you use Craftsman chain saw bar oil. If Craftsman chain saw bar oil is not available, you may use a good grade SAE 30 oil until you are able to obtain Craftsman brand. The oil output is automatically metered during operation. Your saw will use one tank of bar oil for every tank of fuel mix.

Always fill the bar oil tank when you fill fuel tank.

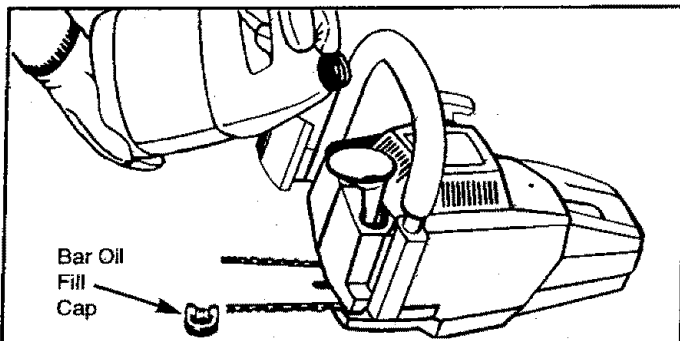


Figure 31

SHARPEN CHAIN (Fig. 32, 33, 34, 35, 36, 37, 38 & 39)



WARNING

IMPROPER CHAIN SHARPENING TECHNIQUES AND/OR DEPTH GAUGE MAINTENANCE WILL INCREASE THE CHANCE OF KICKBACK WHICH CAN RESULT IN SERIOUS INJURY.

ALWAYS WEAR GLOVES WHEN HANDLING THE CHAIN. THE CHAIN CAN BE SHARP ENOUGH TO CUT YOU EVEN THOUGH IT IS TOO DULL TO CUT WOOD.

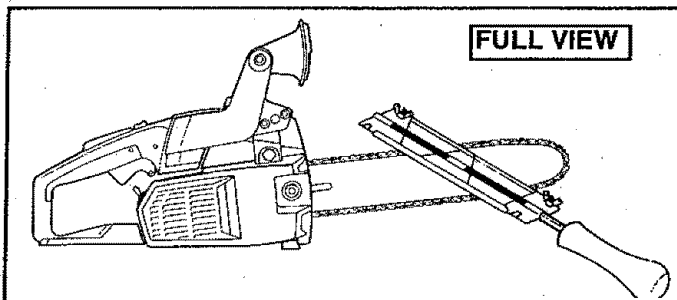


Figure 32

- Adjust chain for proper tension. (See Chain Tension).
- Position the file holder level (90°) so that it rest on the top edge of the cutter and depth gauge.

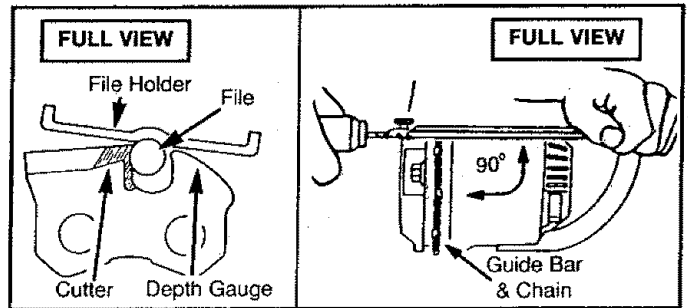


Figure 33

- Align the 30° file holder marks parallel with the bar.

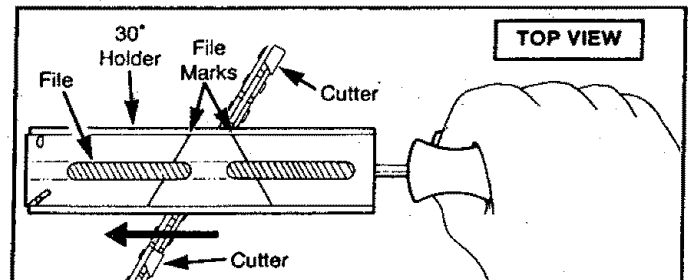


Figure 34

- File from side toward outside of cutter, straight across on forward stroke in one direction only. Use 2 or 3 strokes per cutting edge.
- Keep all cutters the same length when filing.

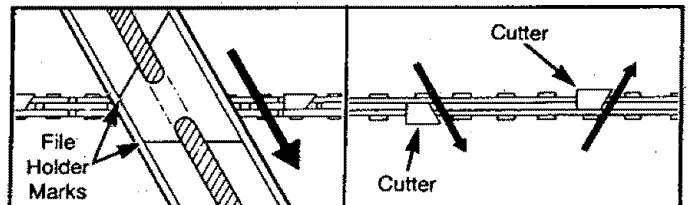


Figure 35

- File enough to remove any damage to cutting edges.

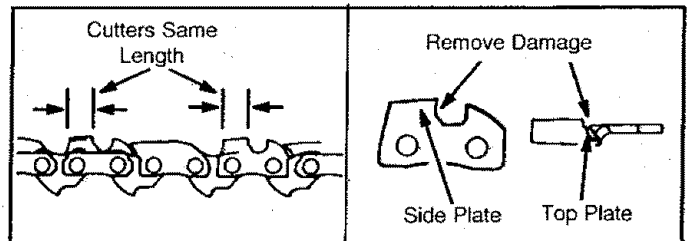


Figure 36

- File chain to meet specifications shown below.

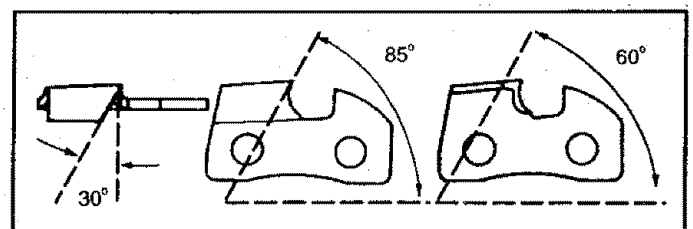


Figure 37

CUSTOMER RESPONSIBILITIES

- Place depth gauge tool over each cutter depth gauge.
- File depth gauge with a flat file until it is level with the top of the depth gauge tool.

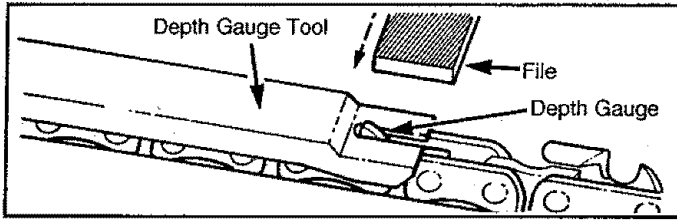


Figure 38

- Maintain rounded front corner of depth gauge with a flat file. The very top of the depth gauge should be flat with the front half rounded off with a flat file.

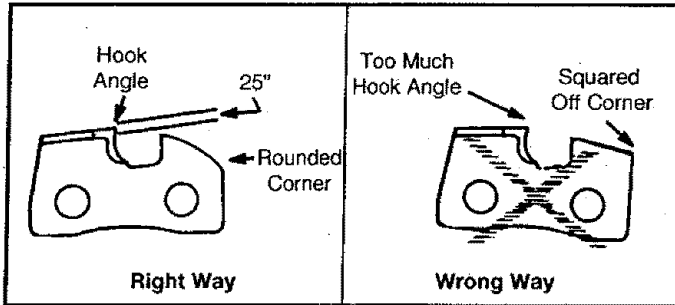


Figure 39

CHECK GUIDE BAR (Fig. 40 & 41)

A worn guide bar will damage the chain and make cutting difficult. Check the condition of the guide bar each time the chain is sharpened. Conditions include:

- Chain saw cuts to one side or at an angle.
- Chain saw has to be forced through the cut.
- Inadequate supply of oil to the bar and chain.

If replacement is necessary, use only the replacement reduced kickback guide bar specified for your saw. Replace the guide bar when:

- the inside groove of the guide bar rail is worn.
- excess heating or burning of the rail is noted.

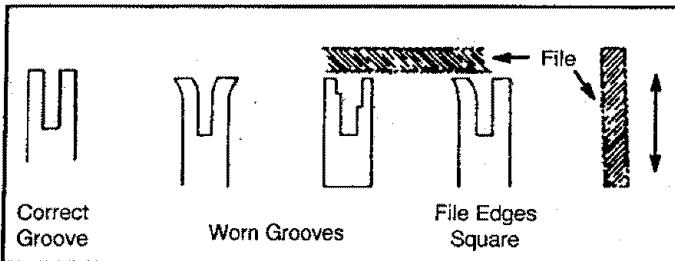


Figure 40

- Move stop switch to the "STOP" position.
- Clean all saw dust and any other debris from the guide bar groove and guide bar oil lubrication.
- Lubricate guide bar nose sprocket after use.
- Burring of bar rails is a normal process of guide bar rail wear. Remove these burrs by filing guide bar rail side edges square with a flat file.

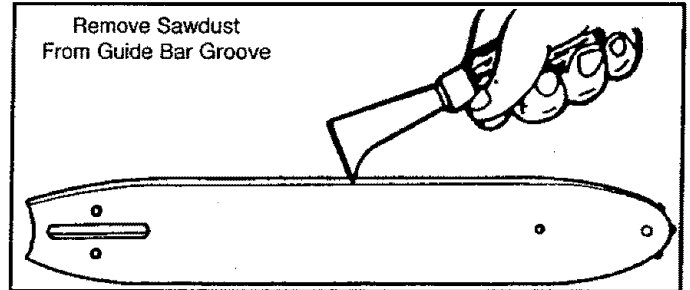


Figure 41

CHECK VIBRATION MOUNTS (Fig. 42)

Your chain saw is designed with an Anti-Vibration (AV) system that decreases the amount of vibration transferred from the main body to the handle.

Any cracked or broken components will need to be replaced. See your nearest Sears Service Center for replacement parts and service.

- Move stop switch to the "STOP" position.
- Ensure all handle and AV screws are tight.
- Make sure the side and rear AV springs are not broken.
- The safety strap should remain in place and unbroken.

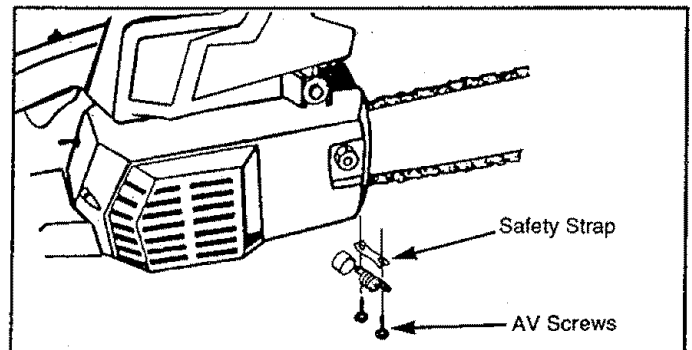


Figure 42

CUSTOMER RESPONSIBILITIES

CLUTCH DRUM AND SPROCKET (Fig. 43)



WARNING:
DO NOT DISASSEMBLE YOUR CLUTCH FOR INSPECTION. DISASSEMBLY OF YOUR CLUTCH REQUIRES A SPECIAL CLUTCH TOOL, DESIGNED TO ALLOW SAFE REMOVAL OF THE CLUTCH ASSEMBLY. DISASSEMBLY OF THE CLUTCH WITHOUT THIS TOOL MAY CAUSE THE SPRING TO RELEASE UNEXPECTEDLY, RESULTING IN POSSIBLE INJURY. HAVE YOUR SEARS SERVICE CENTER PERFORM THIS SERVICE.

THE CHAIN IS SHARP AND CAN CUT YOU; THEREFORE, WE RECOMMEND THAT GLOVES BE WORN WHEN HANDLING THE CHAIN SAW.

Inspection of the clutch drum and sprocket assembly requires the disassembly of the bar and chain.

Inspect your clutch drum and sprocket assembly for excessive wear, which has occurred when the chain drive links are leaving indentations on the area between the sprocket teeth.

We recommend installing a new chain when replacing the sprocket to avoid damaging the new sprocket with a worn/damaged chain. See a Sears Service Center for sprocket and chain replacement.

- Remove the bar clamp nut using the bar tool.
- Remove the bar clamp screw.
- Remove the bar clamp.
- Push the guide bar towards the clutch drum and sprocket assembly until the base of the bar is touching the sprocket.
- Pull the slack in the chain toward the nose. remove the chain from the guides starting at the nose of the guide bar and continue removing the chain back to the clutch and sprocket assembly.
- Remove the chain.
- Remove the guide bar.
- Reinstall the guide bar, chain, bar clamp, and bar clamp nut and screw. See Assembly.

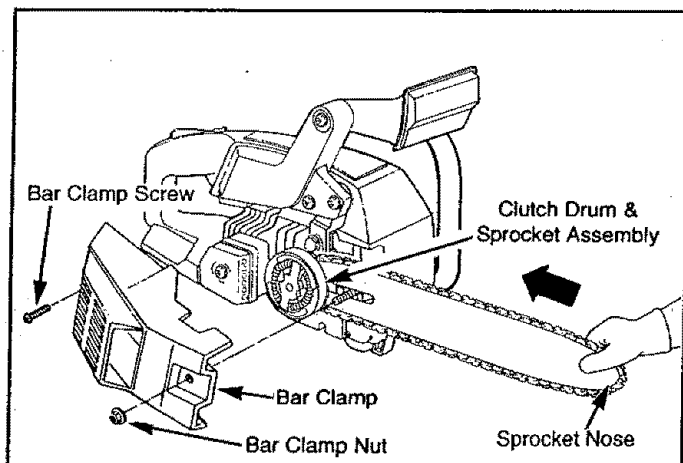


Figure 43

CLEAN AIR FILTER (Fig. 44)

A dirty air filter decreases the life and performance of the engine and increases fuel consumption and harmful emissions.

Always clean your air filter after 25 tanks of fuel or 10 hours of operation, whichever is less. Clean more frequently in dusty conditions. A used air filter can never be completely cleaned. It is advisable to replace your air filter with a new one after every 50 hours of operation, or annually, whichever is less.

- Clean off the carburetor cover and the area around it to keep dirt and sawdust from falling into the carburetor chamber when the cover is removed.
- Loosen and remove 2 carburetor cover screws.
- Remove carburetor cover.
- Remove air filter.
- Wash filter in warm soapy water. Rinse in clean cool water, and air dry completely prior to reinstalling.
- Apply a light coating of oil to filter and reinstall.
- Reinstall carburetor cover.
- Reinstall the 2 carburetor cover screws and tighten securely.

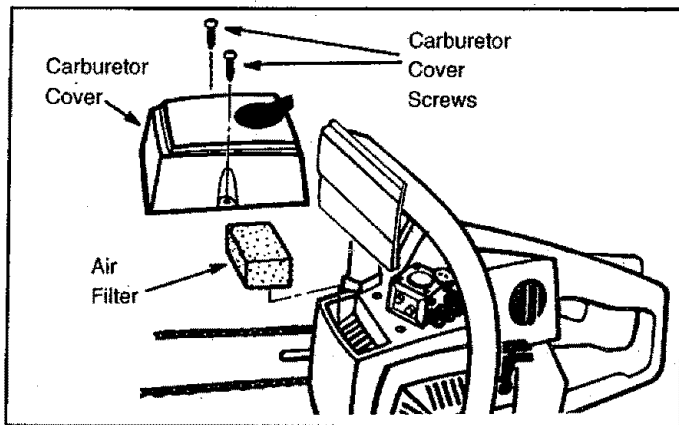


Figure 44

REPLACE SPARK PLUG (Fig. 45)

The spark plug should be replaced each year to insure the engine starts easier and runs better.

Spark Plug gap should be .025".

- Loosen and remove bar clamp nut and bar clamp screw.
- Twist off the spark plug boot.
- Remove and throw away spark plug from the cylinder.
- Replace with correct spark plug and tighten (10-12 ft-lb).
- Reinstall spark plug boot.
- Reinstall carburetor cover and 2 screws. (15-20 ft-lb).

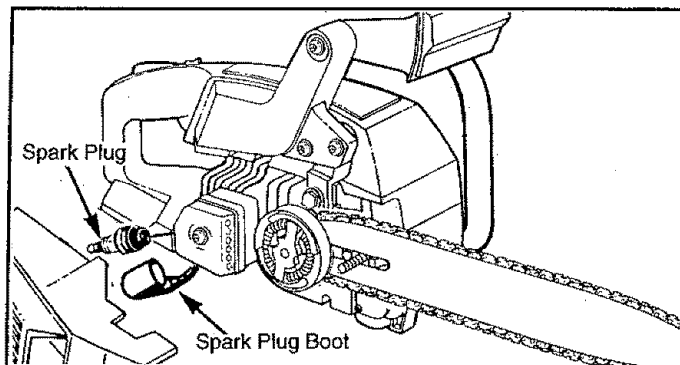


Figure 45

CUSTOMER RESPONSIBILITIES

INSPECT MUFFLER AND SPARK ARRESTOR SCREEN (IF INSTALLED) (Fig. 46)

As the unit is used, carbon deposits build up on the muffler and spark arrestor screen (if installed), and must be removed to avoid creating a fire hazard or affecting engine performance.

Required cleaning is every 25 hours of operation or annually, whichever is less.

Replace the spark arrestor screen if breaks occur.

CLEANING THE SPARK ARRESTOR SCREEN

- Loosen and remove the bar clamp nut and screw.
- Remove bar clamp.
- Loosen and remove the muffler cover screw.
- Remove muffler diffuser and spark arrestor screen assembly. Notice the orientation of these parts for reassembly.
- Clean the spark arrestor screen with a wire brush or replace if breaks are found in the screen.
- Reinstall diffuser and spark arrestor screen assembly.
- Reinstall muffler cover and muffler screw.
- Reinstall bar Clamp. Refer to "Assembly" section.

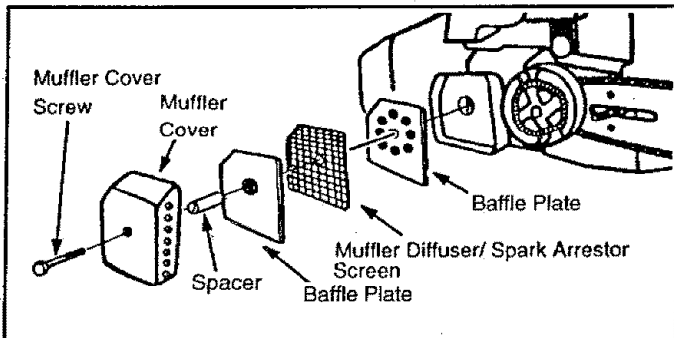


Figure 46

REPLACE FUEL FILTER (Fig. 47, 48 & 49)

The fuel filter should be replaced after each season. Never operate your saw without a fuel filter. Be careful not to damage fuel line while removing the fuel filter.

- Run fuel tank dry of fuel before proceeding with this step.
- Remove fuel mix fill cap and allow it to hang to side of motor.
- Using a small pair of needle nose pliers, grasp fuel cap retainer, holding it in tank opening and pull out.
- With cap out of tank, use a small section of bent wire similar to that shown in the illustration to catch fuel line and slowly pull from tank. when fuel filter appears in opening, grasp with fingers and remove from tank.
- Once filter is out of tank, hold fuel line close to fuel filter. Remove fuel filter by twisting and pulling at the same time.
- To clean fuel filter, submerge in warm soapy water for 10 minutes. (We recommend a very light mixture of dish washing liquid.) Then agitate until filter is clean, rinse thoroughly in warm water, air dry.
- Reverse process for installation.
- To replace fuel filter, use same procedure, but install new filter.

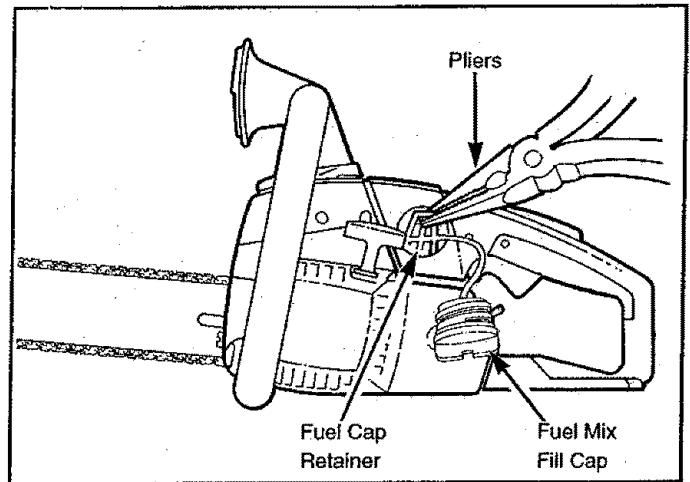


Figure 47

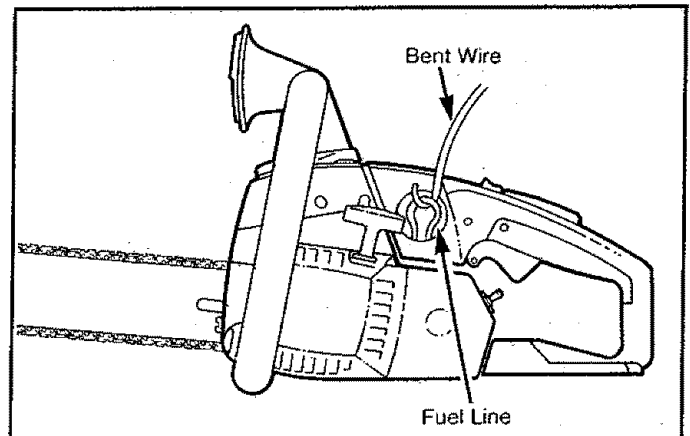


Figure 48

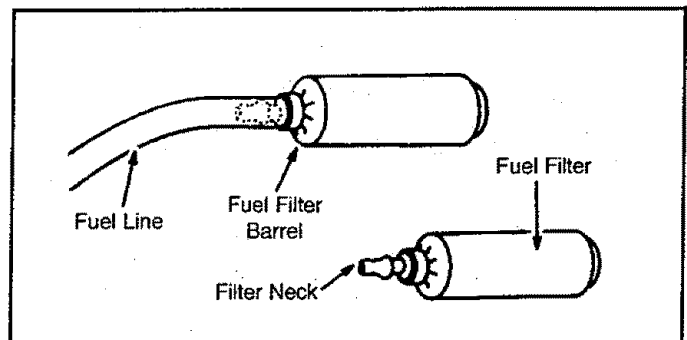


Figure 49

SERVICE AND ADJUSTMENTS

CHAIN REPLACEMENT (Fig. 50 & 51)

NOTE: Reverse "Bar and Chain Assembly" to remove the chain.

- Move stop switch to the "STOP" position.
- Replace the chain when cutters or links break.
- Use only the Low-Kickback replacement chain specified for you saw in the "Product Specifications."
- See your Sears Service Center to replace or sharpen your chain.
- Always have a worn sprocket replaced by your Sears Service Center when installing a new chain to avoid excessive wear to the chain.

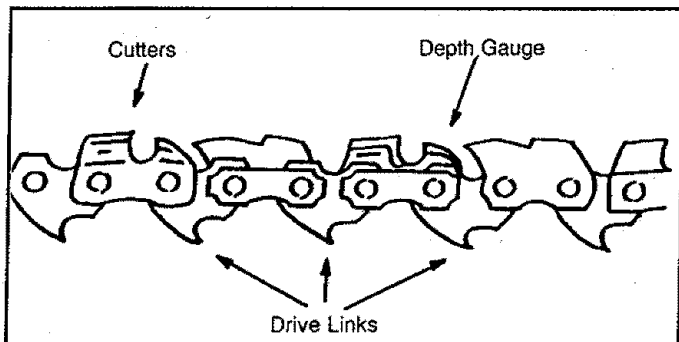


Figure 50

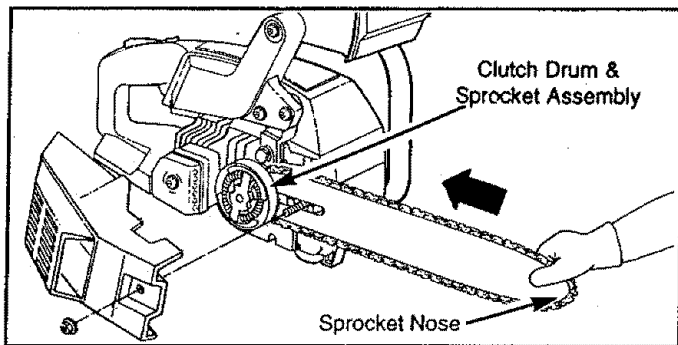


Figure 51

STARTER ROPE REPLACEMENT (Fig. 52, 53, 54, 55, 56 & 57)



WARNING:
ALWAYS WEAR EYE PROTECTION WHEN SERVICING THE STARTER ROPE. THE RECOIL SPRING BENEATH THE PULLEY IS UNDER TENSION. IF THE SPRING POPS OUT, SERIOUS INJURY CAN RESULT

Replace a broken starter rope that is badly frayed.

NOTE: A recoil spring lies beneath the pulley and is under tension. If the recoil spring is disturbed, considerable time and effort will be required to reinstall. For this reason you may want to let your Sears Service Center handle this repair. If you try to repair the starter rope and the recoil spring pops out, take the unit to your Sears Service Center.

- Remove four screws shown in the Figure 52 (note that one is located *underneath* the rear handle). Then, remove the screw located on the rear of the engine housing below the ON/STOP switch.
- **To take out rope tension,** pull out 10" of rope. While holding down pulley ratchet with thumb, pull several inches of rope back into fan housing and catch in tab. Either hold pulley ratchet with thumb or hold starter rope handle. Release rope from the tab and slowly allow pulley to turn counterclockwise until tension is gone.

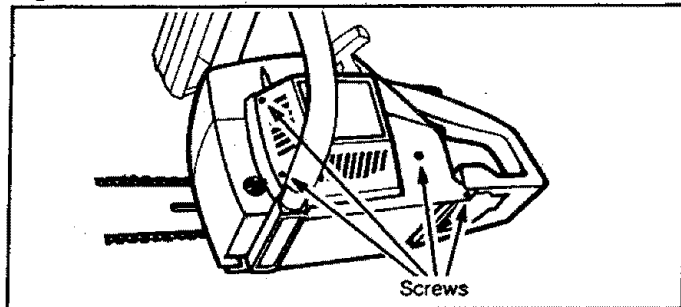


Figure 52

- Remove the pulley screw in the center of the pulley.
- Gently twist and lift pulley counterclockwise.

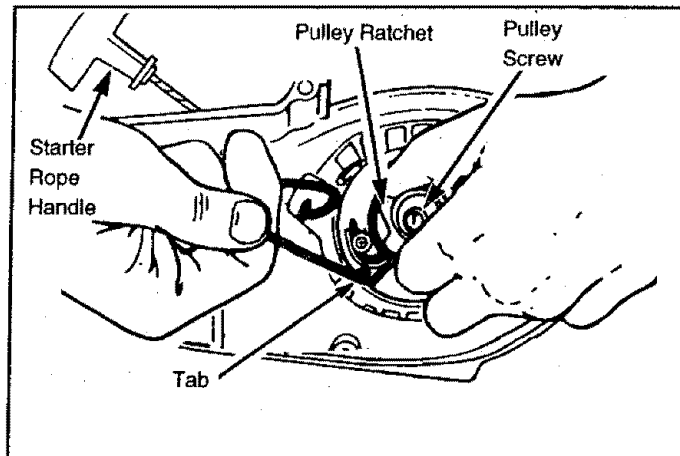


Figure 53

SERVICE AND ADJUSTMENTS

- Remove the rope retainer screw and remove any remaining rope.
- Move away from the fuel tank and melt the end of the rope to be installed. Allow the melted end to drop once. Then, while the rope is still hot, pull the melted end through a rag to obtain a smooth, pointed end.
- Feed the rope through the starter rope hole in starter housing.
- Guide the rope inside the pulley, then up through the pulley hole. It may be necessary to push the rope through with a small Phillips screwdriver inserted into the small hole on the underside of the pulley.
- Wrap rope counterclockwise around the pulley ratchet and tuck loose end back under rope, leaving a 1" tail between the retainer rib and screw post.
- Pull rope tightly around pulley ratchet as shown in the figure below.
- Install the rope retainer screw and tighten until snug. **Do not overtighten.**
- Rewind all the rope onto the pulley in a clockwise direction.

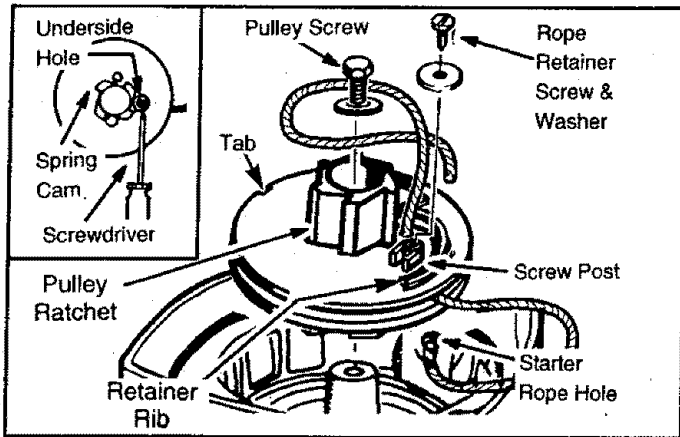


Figure 54

- Twist and push pulley into starter housing.
- Replace and tighten the pulley screw.

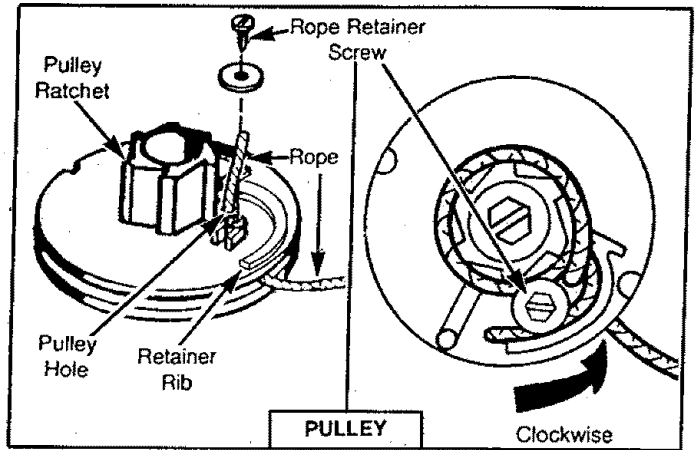


Figure 55

- Pull out 10" of rope and catch rope in tab in pulley.
- Carefully turn the pulley two complete turns clockwise.
- While holding the pulley ratchet, pull the excess rope through the starter rope hole. While holding tension on the rope, let rope slowly rewind into the housing.

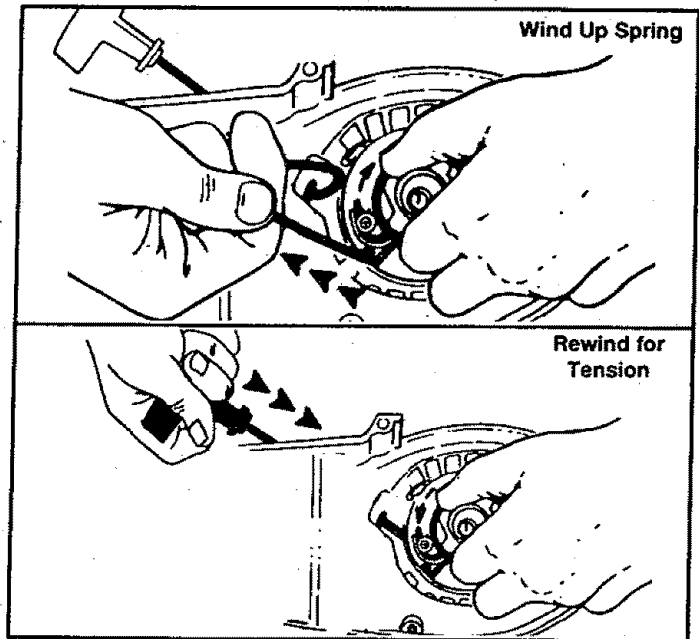


Figure 56

- Reinstall fan hosing by aligning the fan housing to the baffle plate and chassis. Then while holding the fan housing against the chassis, pull the rope handle out until you feel the fan housing drop into place against the chassis. Slowly, let the rope rewind into starter housing.
- Reinstall the four fan housing screws and the screw on the engine housing.

SERVICE AND ADJUSTMENTS

CARBURETOR ADJUSTMENTS

Carburetor adjustment is critical and if done improperly can permanently damage the engine as well as the carburetor. Please read all instructions and consult the Troubleshooting section of this manual before beginning this process.

If the engine does not start, it may be flooded. If in doubt, read the section on flooded engine in the starting section of this manual prior to beginning any adjustments.

If you are unsure about adjusting the carburetor or experience any problem while attempting this process, please call the 1-800 number listed on the front cover of this manual for further assistance.

The carburetor has been adjusted at the factory for sea level conditions. Adjustments may become necessary if the unit is used at significantly higher altitudes or if you notice any of the following conditions:

- Chain moves when the engine runs at idle speed. See "Idle Speed Adjustment."
- Saw will not idle. See "Idle Speed Adjustment" and "Low Speed Mixture Adjustment."
- Engine dies or hesitates when it should accelerate. See "Acceleration Adjustment."
- Loss of cutting power which is not corrected by air filter cleaning. See "High Speed Mixture Adjustment."

NOTE: Do not attempt to adjust the screw beyond the stops as damage can occur.



WARNING:

THE CHAIN WILL BE MOVING DURING MOST OF THIS PROCEDURE. WEAR YOUR PROTECTIVE EQUIPMENT AND OBSERVE ALL SAFETY PRECAUTIONS.

IN "LOW SPEED MIXTURE ADJUSTMENT," RECHECK IDLE SPEED AFTER EACH ADJUSTMENT. THE CHAIN MUST NOT MOVE AT IDLE SPEED.

CARBURETOR PRESETS (Fig. 58)

If your engine will not start due to suspected improper carburetor adjustment, the following presets may be required. If used, it is recommended that all steps within the adjustment procedure be completed in order to assure a properly set carburetor. If presets are not needed, proceed to section "Idle Speed Adjustment."

Very small adjustments can affect engine performance. It is important to turn the screw a very small amount per adjustment and test performance before making further adjustments. Each adjustment should be no more than the width of the slot in the adjusting screw.



CAUTION:

DO NOT TURN SCREWS TOO TIGHT; THIS WILL RESULT IN DAMAGE TO NEEDLE TIPS AND NEEDLE SEATS.

IF CHAIN MOVES WHEN ENGINE IDLES, TURN IDLE SPEED SCREW COUNTERCLOCKWISE UNTIL CHAIN STOPS.

- Turn both low and high speed mixture screws clockwise until a *slight* resistance is felt.
- Turn both mixture screws counterclockwise one full turn.
- Turn idle speed screw clockwise 1/2 turn.

Using these presets, the unit should start and run.

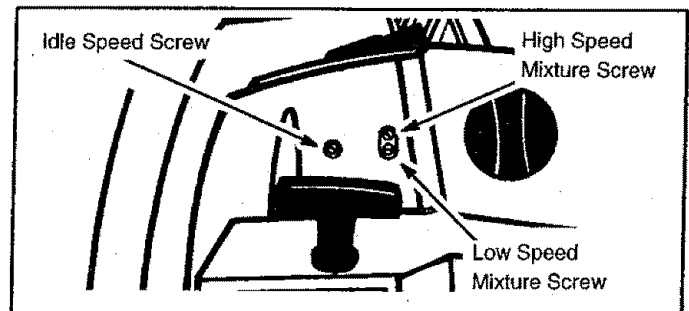


Figure 58

SERVICE AND ADJUSTMENTS

ADJUSTING PROCEDURE

IDLE SPEED ADJUSTMENT

- Allow the warm engine to idle.
- Adjust idle speed screw until engine continues to run without stalling.
 - Turn screw clockwise to increase engine speed if the engine stalls or dies.
 - Turn screw counterclockwise to slow engine down and/or to keep the chain from turning.
- No further adjustments are necessary if the chain does not move at idle speed and if performance is satisfactory.

LOW SPEED MIXTURE ADJUSTMENT

- Allow engine to idle.
- Turn the Low Speed Mixture Screw slowly clockwise until the RPM starts to drop. Note the position.
- Turn the Low Speed Mixture Screw slowly counterclockwise until the RPM speeds up and starts to drop again. Note the position.
- Set the Low Speed Mixture Screw at the midpoint between the two positions.

HIGH SPEED MIXTURE ADJUSTMENT

IMPORTANT: DO NOT OPERATE ENGINE AT FULL THROTTLE FOR PROLONGED PERIODS WHILE MAKING HIGH SPEED ADJUSTMENTS AS DAMAGE TO THE ENGINE CAN OCCUR.

- Make a test cut.
- Based on performance of the saw while cutting, adjust the High Speed Mixture Screw in 1/16 turn increments as follows:
 - Clockwise if saw smokes or loses power in the cut. Do not adjust for best power by sound or speed, but judge by how well the saw performs in the cut.
 - Counterclockwise if the saw has speed while out of the cut, but dies in the cut or lacks power while cutting.
- Repeat the test cut.
- Continue with 1/16 turn adjustments until the saw performance is acceptable while cutting.
- After completing adjustments, check for acceleration.

ACCELERATION CHECK

- If the engine dies or hesitates instead of accelerating, turn the Low Speed Mixture Screw 1/16 of a turn at a time counterclockwise until you have smooth acceleration.
- Check the idle speed for stability and no chain movement. Adjust as necessary.
- Recheck for smooth acceleration and stable idle. Repeat process as necessary for acceptable performance.



WARNING:

A CARBURETOR SETTING THAT IS TOO LEAN (CLOCKWISE ADJUSTMENT ON HIGH SPEED SCREW FOR MAXIMUM SPEED) WILL CAUSE ENGINE DAMAGE TO ANY 2-CYCLE ENGINE FROM OVERHEATING AND LACK OF LUBRICATION. NEVER SET THE HIGH SPEED SCREW SO FAR CLOCKWISE THAT YOU HAVE ENGINE SPEED LACKING POWER TO CUT. AN EFFECTIVE APPROACH FOLLOWS:

- TURN HIGH SPEED SCREW COUNTERCLOCKWISE UNTIL ENGINE LOSES POWER WHILE CUTTING.
- TURN HIGH SPEED SCREW CLOCKWISE USING 1/16 TURN INCREMENTS ONLY UNTIL THE ENGINE HAS POWER WHILE CUTTING.

IF THE ENGINE DOES NOT OPERATE ACCORDING TO THESE INSTRUCTIONS AFTER REPEATING THE ADJUSTING STEPS, DO NOT USE THE UNIT. FOR FURTHER ASSISTANCE, PLEASE CALL OUR CUSTOMER ASSISTANCE HOTLINE AT 1-800-235-5878.

STORAGE

Immediately prepare your unit for storage at the end of the season or if it will not be used for 30 days or more.



WARNING:

ALLOW THE ENGINE TO COOL, AND SECURE THE UNIT BEFORE STORING OR TRANSPORTING IN A VEHICLE.

STORE UNIT AND FUEL IN AN AREA WHERE FUEL VAPORS CANNOT REACH SPARKS OR OPEN FLAMES FROM WATER HEATERS, ELECTRIC MOTORS OR SWITCHES, FURNACES, ETC.

STORE UNIT WITH ALL GUARDS IN PLACE. POSITION SO THAT ANY SHARP OBJECT SUCH AS THE CHAIN CANNOT ACCIDENTALLY CAUSE INJURY TO PASSERS BY.

STORE THE UNIT OUT OF THE REACH OF CHILDREN.

GAS CHAIN SAW STORAGE INSTRUCTIONS

If your chain saw is to be stored for a period of time, clean it thoroughly prior to storage. Remove any dirt, leaves, oil, grease, etc. Store in a clean dry area.

- Clean the entire unit.
- Clean air filter. Refer to "Customer Responsibilities".
- Open the semi-automatic line head assembly and clean any dirt, grass or debris that has collected.
- Inspect the bar clamp area and clean any dirt, sawdust, grass, or debris that has collected. Inspect the guide bar and chain; replace a guide bar that is bent, warped, cracked, broken, or damaged in any other way. Replace a damaged or worn chain.
- Lightly oil external metal surfaces to prevent rust from forming.



CAUTION: WEAR PROTECTIVE GLOVES WHEN HANDLING LINE LIMITER. THE BLADE IS SHARP AND CAN CUT YOU.

- Apply a coating of oil to the entire surface of the guide bar and chain; wrap it in heavy paper, cloth or plastic.
- Be sure all handles and guards are in place and are securely fastened. Replace any damaged parts.

FUEL SYSTEM

Never use engine or carburetor cleaner products in the fuel tank or permanent damage may occur to fuel system components.

Follow these instructions:

- Drain the fuel from the unit into an approved fuel container.
- Drain the fuel lines and carburetor by starting the engine and letting it run until it stops.
- Allow the engine to cool before storage.

IMPORTANT: It is important to prevent gum deposits from forming in essential fuel system parts such as the carburetor, fuel filter, fuel hose or tank during storage. Also, experience indicates that alcohol blended fuels, those that use ethanol or methanol (called gasohol or oxygenated fuel), can attract moisture and form acidic gas which will damage your engine. To avoid engine problems, the fuel system should be emptied before storage of 30 days or longer.

Fuel stabilizer is an acceptable alternative in minimizing the formation of fuel gum deposits during storage. Add stabilizer to the gasoline in the fuel tank or fuel storage container. Always follow the mix instructions found on stabilizer containers. Run engine at least 5 minutes after adding stabilizer to allow the stabilizer to reach the carburetor.

CRAFTSMAN 40:1 2-cycle AIR-COOLED engine oil is specially blended with fuel stabilizer. If you do not use this Sears oil, you can add a fuel stabilizer (such as CRAFTSMAN No. 33500) to your fuel tank.

INTERNAL ENGINE

- Remove spark plug and pour 1 teaspoon of 40:1 2-cycle AIR-COOLED engine oil through the spark plug opening. Slowly pull the starter rope 8 to 10 times to distribute oil to inner engine surfaces.
- Replace spark plug with a new one of the recommended type and heat range. Refer to "Product Specifications".
- Clean air filter. Refer to "Customer Responsibilities".
- Re-install all covers and hardware removed for access; tighten all screws and fasteners.
- Check entire unit for loose screws, nuts, and bolts. Replace any damaged, broken, or worn parts.
- Lightly oil external metal surface to prevent rust from forming.
- Use fresh fuel having the proper gasoline to oil ratio at the beginning of the next season.

OTHER

- Do not store gasoline from one season to another.
- Replace your gasoline can if your can starts to rust. Rust and/or dirt in your fuel system will cause problems.
- Store your unit in a well ventilated area and covered, if possible, to prevent dust and dirt accumulation. Do not cover with plastic. Plastic cannot breathe and will induce condensation and eventual rust or corrosion.

IMPORTANT: NEVER COVER UNIT WHILE ENGINE AND EXHAUST AREAS ARE STILL WARM.

TROUBLE SHOOTING POINTS

TROUBLE SHOOTING CHART

SYMPTOM	CAUSE	REMEDY
Engine will not start or will run only for a few seconds after starting.	<ol style="list-style-type: none"> 1. Fuel tank empty. 2. Engine flooded. 3. Spark plug not firing. 4. Fuel not reaching carburetor. 5. Carburetor requires adjustment. 6. ON/STOP switch in "Stop" position. 7. None of the above. 	<ol style="list-style-type: none"> 1. Fill tank with correct fuel mixture. 2. See "Starting Instructions." 3. Install new plug/check ignition switch. 4. Clean fuel filter; inspect fuel line. 5. See "Carburetor Adjustments." 6. Move Switch to the "On" position. 7. Contact your SEARS Service Center/Dept.
Engine will not idle properly.	<ol style="list-style-type: none"> 1. Idle speed set too fast or too slow. 2. Low speed mixture requires adjustment. 3. Crankshaft seals worn. 4. Compression low. 5. None of the above. 	<ol style="list-style-type: none"> 1. See "Carburetor Adjustments." 2. See "Carburetor Adjustments." 3. Contact your SEARS Service Center/Dept. 4. Contact your SEARS Service Center/Dept. 5. Contact your SEARS Service Center/Dept.
Engine will not accelerate, lacks power, or dies under a load.	<ol style="list-style-type: none"> 1. Air filter dirty. 2. Spark plug fouled. 3. Carburetor requires adjustment. 4. Exhaust ports or muffler outlets plugged. 5. Compression low. 6. None of the above. 	<ol style="list-style-type: none"> 1. Clean or replace air filter. 2. Clean or replace spark plug and re-gap. 3. See "Carburetor Adjustments." 4. Contact your SEARS Service Center/Dept. 5. Contact your SEARS Service Center/Dept. 6. Contact your SEARS Service Center/Dept.
Engine smokes excessively.	<ol style="list-style-type: none"> 1. Air filter dirty. 2. Fuel mixture incorrect. 3. High speed mixture requires adjustment. 4. Choke partially on. 5. Crankcase leak. 	<ol style="list-style-type: none"> 1. Clean or replace air filter. 2. Refuel with correct fuel mixture. 3. See "Carburetor Adjustment." 4. Push Choke knob in. 5. Contact your SEARS Service Center/Dept.
Engine runs hot.	<ol style="list-style-type: none"> 1. Fuel mixture incorrect. 2. High speed mixture set too low (lean). 3. Spark plug incorrect. 4. Exhaust ports or muffler outlets plugged. 5. Carbon build-up on muffler outlet screen. 6. Fan Housing/cylinder fins dirty. 7. None of the above. 	<ol style="list-style-type: none"> 1. See "Fueling Your Unit." 2. See "Carburetor Adjustments." 3. Replace with correct plug. 4. Contact your SEARS Service Center/Dept. 5. Clean spark arrestor screen. 6. Clean area. 7. Contact your SEARS Service Center/Dept.
Oil inadequate for bar and chain lubrication.	<ol style="list-style-type: none"> 1. Oil tank empty. 2. Oil pump or oil filter clogged. 3. Guide bar oil hole blocked. 	<ol style="list-style-type: none"> 1. Fill oil tank. 2. Contact your SEARS Service Center/Dept. 3. Remove bar and clean.
Chain moves at Idle Speed.	<ol style="list-style-type: none"> 1. Idle speed requires adjustment. 2. Clutch requires repair. 	<ol style="list-style-type: none"> 1. See "Carburetor Adjustments." 2. Contact your SEARS Service Center/Dept.
Chain does not move when engine is accelerated.	<ol style="list-style-type: none"> 1. Chain tension too tight. 2. Carburetor requires adjustment. 3. Guide bar rails pinched. 4. Clutch slipping. 	<ol style="list-style-type: none"> 1. See "Chain Tension". 2. See "Carburetor Adjustments." 3. Repair or replace. 4. Contact your SEARS Service Center/Dept.
Chain clatters or cuts roughly.	<ol style="list-style-type: none"> 1. Chain tension incorrect. 2. Cutters damaged. 3. Chain worn. 4. Cutters dull, improperly sharpened, or depth gauges too high. 5. Sprocket worn. 6. Chain installed backwards. 	<ol style="list-style-type: none"> 1. See "Chain Tension" 2. Contact your SEARS Service Center/Dept. 3. Resharpener or replace your chain. 4. See the chain sharpening instructions. 5. Contact your SEARS Service Center/Dept. 6. Install chain in right direction.
Chain stops within the cut.	<ol style="list-style-type: none"> 1. Chain cutter tops not filed flat. 2. Guide bar burred or bent; rail uneven. 3. Clutch slipping. 	<ol style="list-style-type: none"> 1. See the chain sharpening instructions. 2. Repair or replace guide bar. 3. Contact your SEARS Service Center/Dept.
Chain cuts at an angle.	<ol style="list-style-type: none"> 1. Cutters damaged on one side. 2. Chain dull on one side. 3. Guide bar bent or worn. 	<ol style="list-style-type: none"> 1. Resharpener until all cutters have equal angles and lengths. 2. Resharpener until all cutters have equal angles and lengths. 3. Replace guide bar.

If situations occur which are not covered in this manual, use care and good judgement.

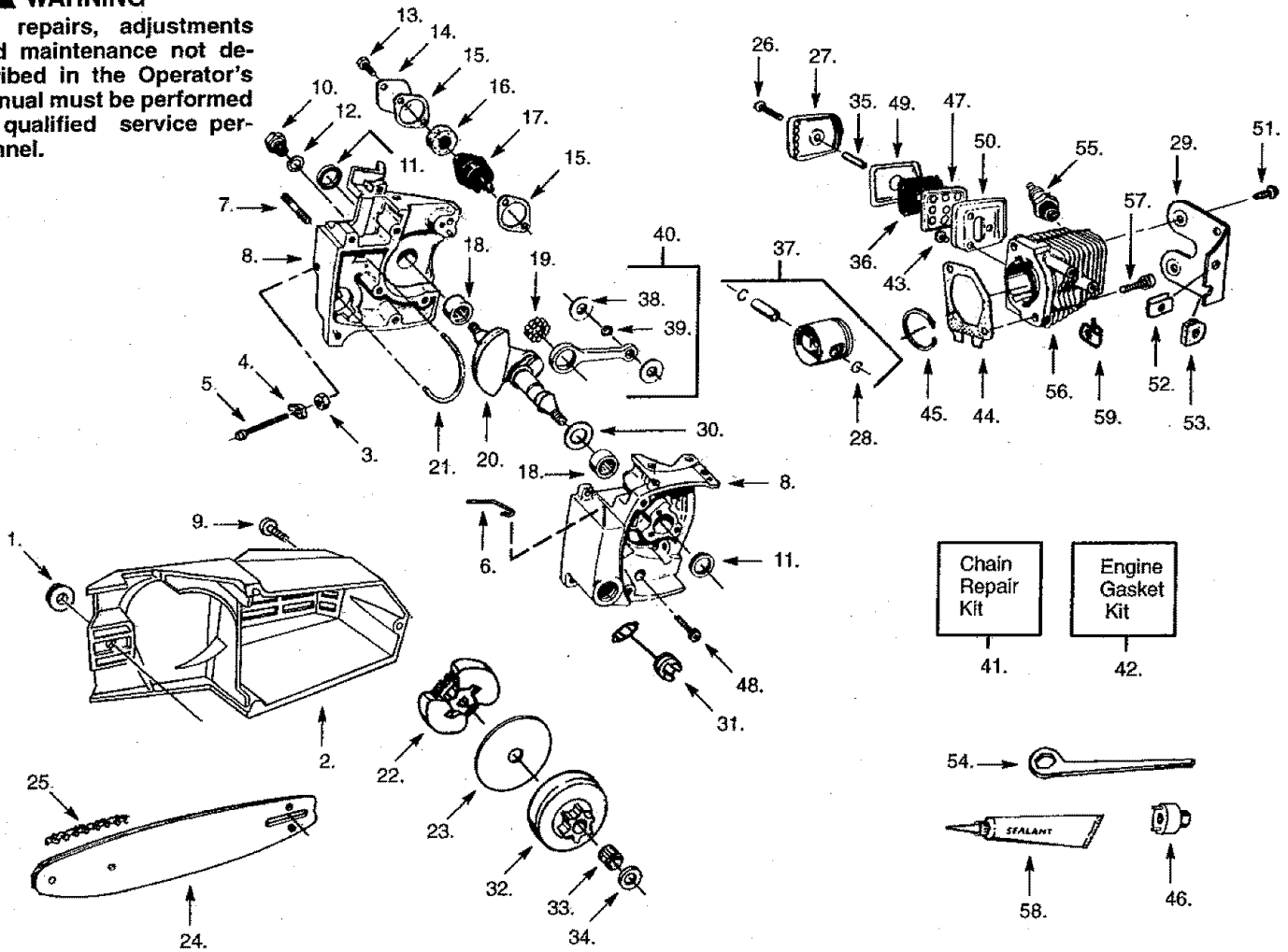
*If you need assistance, contact your SEARS Service Center/Department or the
CUSTOMER ASSISTANCE HOTLINE at 1-800-235-5878*

REPAIR PARTS

SEARS CHAIN SAW – MODELS 358.352380, 358.356180, 358.356230

WARNING

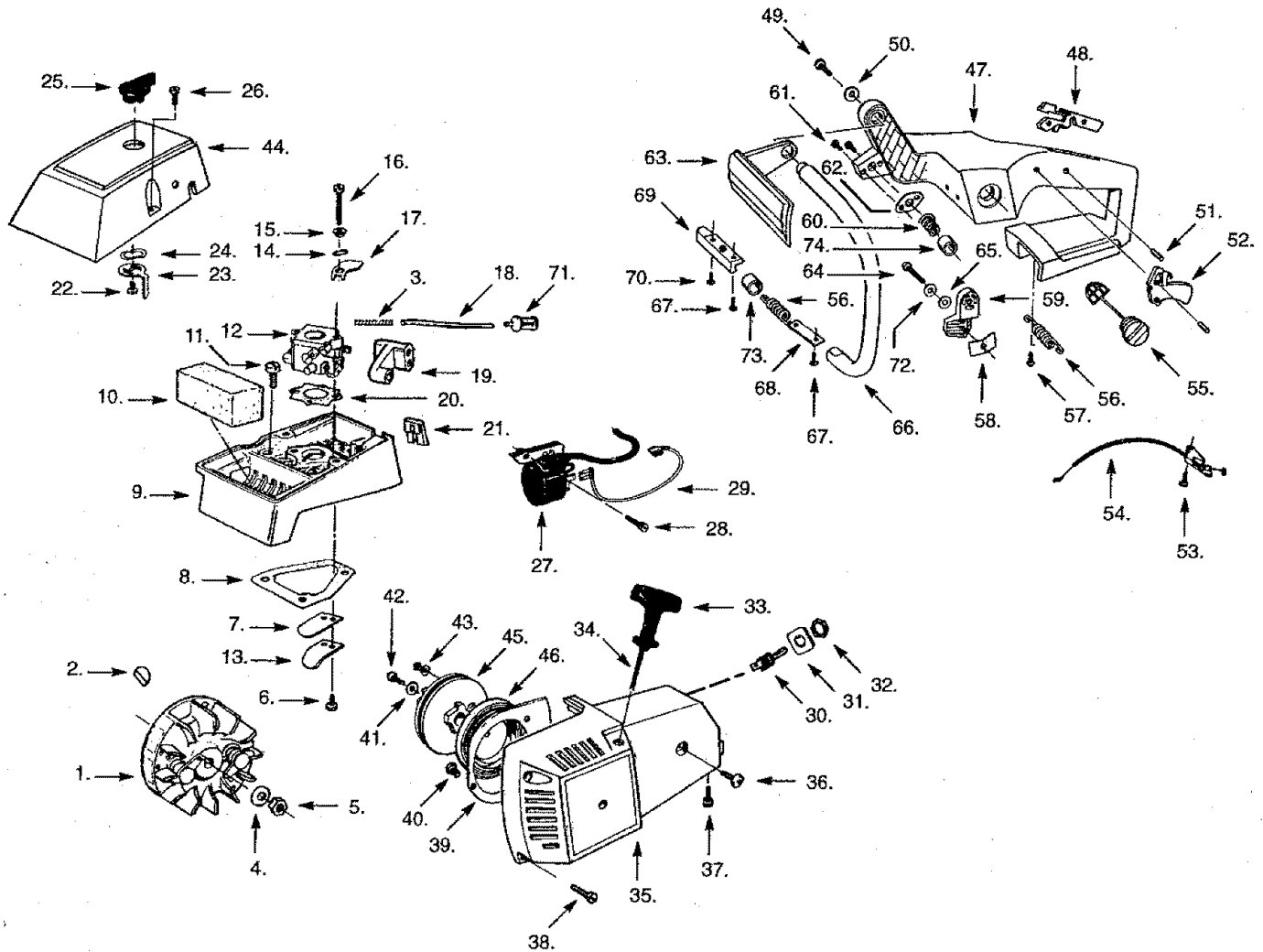
All repairs, adjustments and maintenance not described in the Operator's Manual must be performed by qualified service personnel.



Ref.	Part No.	Description	Ref.	Part No.	Description	Ref.	Part No.	Description
1.	530-015251	Bar Mounting Nut	25.	71-3619	Chain-18"	48.	530-015986	Screw
2.	530-037011	Bar Clamp	26.	530-016026	Screw	49.	530-036970	Muffer Baffle-Outer
3.	STD541408	Locknut	27.	530-036969	Muffer Cover	50.	530-036968	Muffer Body
4.	530-023492	Bar Adjust Pin	28.	530-023843	Piston Pin Retainer	51.	530-016017	Screw
5.	530-015236	Screw	29.	530-016024	Rear Mount Bracket	52.	530-016029	Speed Nut
6.	530-036450	Oil Tank Vent Pin	30.	530-023887	Thrust Washer	53.	530-037063	Grommet
7.	530-015719	Bar Mounting Stud	31.	530-010444	Oil Cap Ass'y. (Incl. O-Ring & Ret.)	54.	530-031063	Bar Wrench
8.	530-014742	Crankcase Ass'y. (Incl. 3-7, 10, 11, 12, 18 & 31)	32.	530-069166	Clutch Drum Kit	55.	71-85849	Spark Plug
9.	530-015623	Screw	33.	530-032079	Clutch Bearing	56.	530-012313	Cylinder
10.	530-069142	Check Valve Kit (Incl. 12)	34.	530-023519	Clutch Spacer-Inside	57.	530-015239	Screw
11.	530-019059	Crankshaft Seal	35.	530-016025	Muffer Spacer	58.	530-030054	Crankcase Sealant
12.	530-019089	Check Valve Gasket	36.	530-036971	Muffer Screen	59.	530-037354	Wire Clip
13.	STD510805	Screw	37.	530-069553	Piston Kit (Incl. 28, 45 & Pin)	Not Shown		
14.	530-023802	Cover	38.	530-015486	Washer	530-083046	Operator Manual	
15.	530-019091	Oil Pump Gasket	39.	530-032075	Bearing Rod Top (Incl. 22 Bearings)	-	Carton Contents Bag	
16.	530-023801	Oil Filter (Foam)	40.	530-010474	Connecting Rod Assy (Incl. 38 & 39)	530-047227	Model 358.352380	
17.	530-010195	Oil Pump Ass'y.	41.	530-052073	Chain Repair Kit	530-014868	Model 358.356180	
18.	530-032029	Crankshaft Bearing	42.	530-069401	Engine Gasket Kit (*Indicates Contents)	530-014768	Model 358.356230	
19.	530-032065	Roller Bearing (Incl. 12 Bearings)	43.	530-001666	Screw	-	Carton	
20.	530-022172	Crankshaft	44.	530-019195	Cylinder Gasket	530-085116	Model 358.352380	
21.	530-021026	Oil Discharge Line	45.	530-037603	Piston Ring	530-061697	Model 358.356180	
22.	530-069193	Clutch Ass'y. Kit	46.	530-031112	Clutch Tool	530-061635	Model 358.356230	
23.	530-069197	Clutch Washer Kit	47.	530-037083	Muffer Baffle-Inner	530-037168	Instruction Decal	
24.	71-36374	Guide Bar-18"				71-36627	Carrying Case	

REPAIR PARTS

SEARS CHAIN SAW - MODELS 358.352380, 358.356180, 358.356230

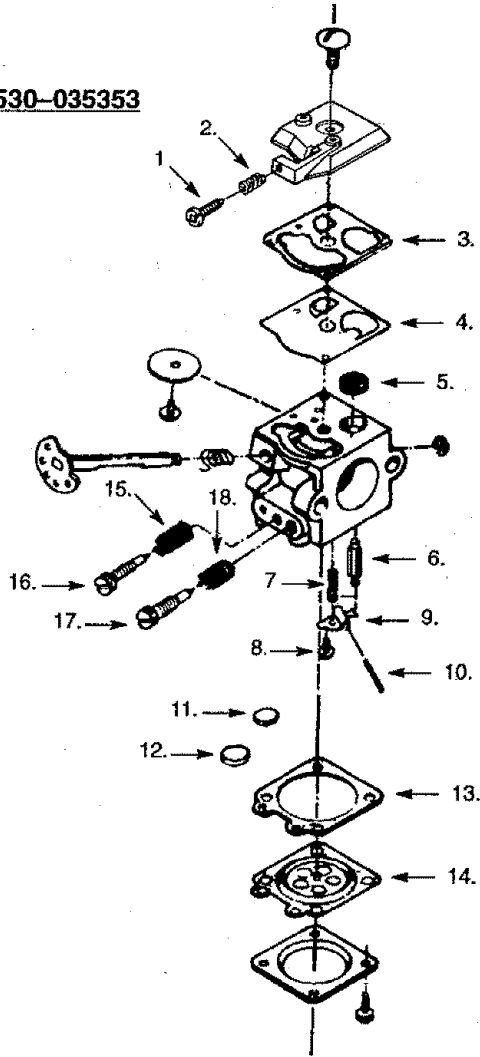


Ref.	Part No.	Description	Ref.	Part No.	Description	Ref.	Part No.	Description
1.	530-047198	Flywheel Ass'y.	27.	530-069403	Ignition Module Kit (Incl. 29)	51.	530-015701	Roll Pin
2.	530-015126	Flywheel Key	28.	530-015816	Screw	52.	530-036986	Throttle Trigger
3.	530-037264	Spring	29.	530-037014	Wire Harness	53.	530-016016	Screw
4.	530-015127	Washer	30.	530-026766	Toggle Switch	54.	530-036966	Throttle Cable Assy
5.	STD541131	Nut	31.	530-012311	Indicating Plate	55.	530-036965	Fuel Cap Assy.
6.	530-016064	Screw	32.	530-023575	Nut	56.	530-036954	Rear Mount Spring
7.	530-036331	Reed Valve	33.	530-037485	Starter Handle	57.	530-015906	Screw
8.	530-019118	Gasket	34.	530-069232	Rope Kit	58.	530-024317	Isolator Pad
9.	530-037154	Carburetor Hsg.	35.	530-037158	Fan Hsg.	59.	530-036929	Upper Bracket
10.	530-023791	Air Filter	36.	530-015771	Screw	60.	530-036955	Spring
11.	STD512507	Screw	37.	530-016018	Screw	61.	530-016022	Screw
12.	530-035311	Carburetor	38.	530-015812	Screw	62.	530-036946	Isolator Plate
13.	530-036332	Reed Stop	39.	530-037013	Fan Hsg. Baffle	63.	530-025451	Handguard
14.	530-015254	Wave Washer	40.	530-015777	Screw	64.	530-015505	Screw
15.	530-023865	Spacer	41.	530-015123	Washer	65.	530-015209	Washer
16.	530-015245	Screw	42.	530-015036	Screw	66.	530-036939	Front Handle
17.	530-023805	Choke Shutter	43.	530-016080	Screw	67.	530-016018	Screw
18.	530-069247	Fuel Line Kit	44.	530-037155	Carb. Cover	68.	530-036113	AV Strap
19.	530-036973	Carb. Adj. Grommet	45.	530-069288	Starter Pulley Kit	69.	530-036943	Isolator Bracket
20.	530-019045	Carb. Gasket	46.	530-042023	Recoil Spring	70.	530-016019	Screw
21.	530-036972	Grommet - Throttle Cable	47.	530-014760	Throttle Lockout Lever	71.	530-037016	Fuel Filter Ass'y.
22.	530-015407	Screw	48.	530-036967	Throttle Lockout Lever	72.	530-001642	Lockwasher
23.	530-037070	Choke Lever	49.	530-016020	Screw	73.	530-036953	Isolator Sleeve
24.	530-015147	Wave Washer	50.	530-016021	Washer	74.	530-036956	Upper Sleeve
25.	530-037116	Choke Knob						
26.	530-015168	Screw						

REPAIR PARTS

SEARS CHAIN SAW – MODELS 358.352380, 358.356180, 358.356230

Carburetor Assembly WT-310 #530-035353



Carb.
Repair
Kit

19.

Carb.
Gasket
Kit

20.

Ref.	Part No.	Description
1.	530-035203	Idle Speed Adj. Screw
2.	530-035339	Idle Speed Adj. Spring
3.	530-035164	Fuel Pump Gasket
4.	530-035166	Fuel Pump Diaphragm
5.	530-035172	Fuel Inlet Screen WT-3.
	530-035027	Fuel Inlet Screen WT20/247
6.	530-035106	Inlet Needle Valve
7.	530-038724	Metering Lever Spring
8.	530-035016	Metering Lever Pin Screw
9.	530-035031	Metering Lever
10.	530-035028	Metering Lever Pin
11.	530-035162	Welch Plug-5/16 Dia.
12.	530-035163	Welch Plug-1/4 Dia.
13.	530-035165	Metering Diaphragm Gasket
14.	530-035014	Metering Diaphragm
15.	530-035023	Low Speed Mixture Needle Spring
16.	530-038722	Low Speed Mixture Needle
17.	530-038723	High Speed Mixture Needle
18.	530-035167	High Speed Mixture Needle Spring
19.	530-035161	Carb. Repair Kit (Incl. 3-14)
20.	530-035173	Carb. Gasket/Diaphragm (Incl. 3, 4, 13, & 14)

NOTES

NOTES

NOTES

TABLE OF CONTENTS

Safety Rules.....	2	Operation.....	9
Product Specifications.....	5	Service and Adjustments.....	23
Customer Responsibilities.....	18	Storage.....	27
Warranty.....	5	Trouble Shooting.....	28
Accessories.....	35	Repair Parts Ordering/Service.....	Back Cover
Assembly.....	7		





INDEX

<p>A</p> <p>Accessories.....35</p> <p>Adjusting Screw.....7</p> <p>Air Filter.....21</p> <p>Assembly.....7</p> <p>B</p> <p>Bar and Chain Oil.....16</p> <p>Bucking.....14</p> <p>C</p> <p>Carburetor Adjustments.....25</p> <p>Chain Oiler.....10</p> <p>Chain Sharpening.....19</p> <p>Customer Responsibilities.....18</p> <p> Spark Plug.....21</p> <p>Cutting Methods.....10</p> <p>E</p> <p>Engine</p> <p> Fuel/Oil.....16</p> <p> Spark Plug.....21</p> <p> Starting.....17</p> <p> Storage.....27</p> <p>F</p> <p>Fuel Filter.....22</p> <p>Fueling.....16</p> <p>G</p> <p>Guide Bar Lubrication.....19</p> <p>H</p> <p>Hardware Contents.....6</p>	<p>K</p> <p>Know Your Chain Saw.....9</p> <p>L</p> <p>Limbing.....15</p> <p>M</p> <p>Maintenance Schedule.....18</p> <p>Model Number.....5</p> <p>Muffler.....22</p> <p>O</p> <p>Operation.....9</p> <p>Ordering Repair Parts.....Back Cover</p> <p>P</p> <p>Pruning.....15</p> <p>R</p> <p>Repair Parts List.....29</p> <p>S</p> <p>Service and Adjustments.....23</p> <p>Spark Arrestor Screen.....22</p> <p>Specifications.....5</p> <p>Starter Rope.....23</p> <p>Starting.....17</p> <p>Storage.....27</p> <p>T</p> <p>Tree Felling.....12</p> <p>Trouble Shooting.....28</p> <p>W</p> <p>Warranty.....5</p>
--	--

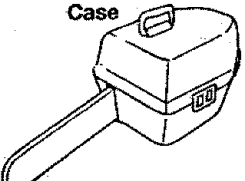
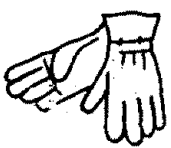
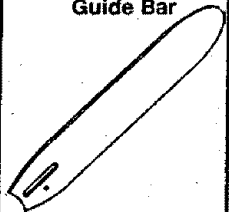

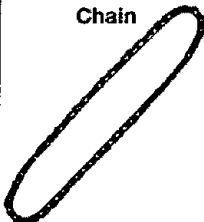

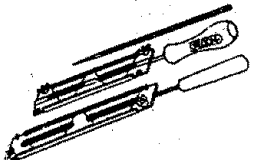
ACCESSORIES

These accessories and attachments were available when the unit was originally purchased. They are also available at most Sears retail outlets and service centers. Most Sears stores can order these items for you when you provide the model number of your unit.

PERFORMANCE

<p>Spark Plug</p> 	<p>2-cycle Engine Oil</p>  <p style="text-align: right;">3.2 oz. 8oz. 16oz.</p>	<p>Air Filter</p> 	<p>Bar Oil</p>  <p style="text-align: right;">1qt. 1gal.</p>
--	---	--	--

MAINTENANCE

<p>Carrying Case</p> 	<p>Gloves</p> 	<p>Guide Bar</p> 	<p>Safety Goggles</p> 	<p>Chain</p> 	<p>Hearing Protection</p> 	<p>Chain Sharpener</p> 
--	--	---	--	--	--	---

SEARS

Operator's Manual

Model No.
358.352380 *
358.356180
358.356230

A fully assembled unit

IF YOU NEED REPAIR SERVICE OR PARTS:

REPAIR SERVICE
1-800-4-REPAIR
(1-800-473-7247)

ORDERING PARTS
1-800-FON-PART
(1-800-366-7278)

**CUSTOMER
ASSISTANCE**
1-800-235-5878

HOURS (CST)
Mon. - Sat. 7 a.m. - 7 p.m.
Sun. 10 a.m. - 7 p.m.

CRAFTSMAN®

2.3 cu. in./38cc 2-CYCLE 18" GUIDE BAR GASOLINE CHAIN SAW

Each Gasoline Chain Saw has its own model number. The model number for your unit will be found on a decal attached to the unit.

All parts listed herein may be ordered from any Sears, Roebuck and Co. Service Centers and most Retail Stores.

WHEN ORDERING REPAIR PARTS, ALWAYS GIVE THE FOLLOWING INFORMATION

- PRODUCT - "GASOLINE CHAIN SAW"
- MODEL NUMBER - 358.352380
358.356180
358.356230
- PART NUMBER
- PART DESCRIPTION

Your Sears Merchandise has added value when you consider that Sears has service units nationwide staffed with Sears trained technicians... professional technicians specifically trained on Sears products, having the parts, tools and equipment to insure that we meet our pledge to you, we service what we sell.

Free Manuals Download Website

<http://myh66.com>

<http://usermanuals.us>

<http://www.somanuals.com>

<http://www.4manuals.cc>

<http://www.manual-lib.com>

<http://www.404manual.com>

<http://www.luxmanual.com>

<http://aubethermostatmanual.com>

Golf course search by state

<http://golfingnear.com>

Email search by domain

<http://emailbydomain.com>

Auto manuals search

<http://auto.somanuals.com>

TV manuals search

<http://tv.somanuals.com>