

SEARS

OWNER'S MANUAL

MODEL NO.

390.305001

390.304692

390.304790

390.305790

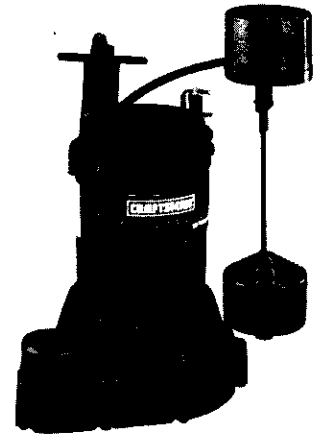
CAUTION:

Read and Follow
All Safety Rules and
Operating Instructions
Before First Use of
This Product.

Save This Manual For
Future Reference.



CRAFTSMAN Professional
Model No. 390.305001



Model No. 390.304692



CRAFTSMAN Professional
Model No. 390.304790 - 1/3 HP



CRAFTSMAN Professional
Model No. 390.305790 - 1/2 HP

CRAFTSMAN[®] SUBMERSIBLE SUMP PUMP

- Safety Instructions
- Installation
- Electrical
- Maintenance
- Repair Parts

Sears, Roebuck and Co., Hoffman Estates, IL 60179 U.S.A.

CONTENTS

INTRODUCTION/WARRANTY	2
SAFETY	2-3
INSTALLATION	3-4
OPERATION	4
ELECTRICAL	4-5
MAINTENANCE	5
SERVICE	6-7
PARTS	8

INTRODUCTION

Please read our instructions before you install and use your new pump. This will help you obtain full value and good service from it. It will also help you avoid needless service costs that result from causes we cannot control and cannot cover in our warranty.

LIMITED LIFETIME WARRANTY on CRAFTSMAN® PROFESSIONAL SUBMERSIBLE PUMPS

Provided that it is installed and operated according to the instructions in the owner's manual, if this pump ever fails for the original purchaser due to a defect in material or workmanship, return it to your nearest Sears store, and Sears will replace it free of charge. You pay for labor if you choose to have Sears install the replacement pump.

FULL ONE YEAR WARRANTY on CRAFTSMAN® SUBMERSIBLE PUMPS

For one year from the date of purchase, Sears will repair or replace this pump, free of charge, if defective in material or workmanship.

LIMITED WARRANTY ON CRAFTSMAN® 1/3-HP SUBMERSIBLE SUMP PUMPS

After one year and through two years from the date of purchase, Sears will furnish, free of charge, a replacement part for any defective part. You pay for labor.

This warranty does not cover repairs or replacement parts necessary because of abuse or negligence including failure to install, adjust and operate this pump according to the instructions in the owner's manual.

Warranty service is available by calling Sears at 1-800-4-MY-HOME®.

LIABILITY LIMITATION

Sears is not liable for loss or damage to property, nor for any incidental or consequential loss or expense from property damage, that results directly or indirectly from the use of this product. Some states do not allow the exclusion or limitation of property, incidental or consequential damages, so the above limitation or exclusion may not apply to you.

This warranty applies only while this product is used in the United States.

This warranty gives you specific legal rights, and you may also have other rights which vary from state to state.

Sears, Roebuck and Co., Dept. 817WA, Hoffman Estates, IL 60179

GENERAL SAFETY INFORMATION

Carefully read and follow all safety instructions in this manual or on pump.

⚠ This is the safety alert symbol. When you see this symbol on your pump or in this manual, look for one of the following signal words and be alert to the potential for personal injury.¹

⚠ DANGER warns about hazards that **will** cause serious personal injury, death or major property damage if ignored.

⚠ WARNING warns about hazards that **will** or **can** cause serious personal injury, death or major property damage if ignored.

⚠ CAUTION warns about hazards that **will** or **can** cause minor personal injury or property damage if ignored.

The word **NOTICE** indicates special instructions which are important but not related to hazards.

Electrically powered sump pumps normally give many years of trouble-free service when correctly installed, maintained, and used. However, unusual circumstances (interruption of power to the pump, dirt/debris in the sump, flooding that exceeds the pump's capacity, electrical or mechanical failure in the pump, etc.) may prevent your pump from functioning normally. To prevent possible water damage due to flooding,

consult your local Sears store about installing a secondary sump pump or a DC backup sump pump. See "Service", Page 6, for information about common sump pump problems and remedies.

1. To avoid risk of serious bodily injury and property damage, read safety instructions carefully before installing pump.

2. Follow local and/or national plumbing and electrical codes when installing pump.

3. **⚠ WARNING** To avoid fatal shocks, proceed as follows if pump needs servicing:

A. **Disconnect power to pump outlet box before pulling pump cord plug.** After plug is pulled, let pump cool for 20 minutes before attempting to work on it. Modern motors may operate at high temperatures.

B. **Take extreme care when changing fuses.** To reduce the chance of fatal electrical shocks, **DO NOT** stand in water or put your finger in the fuse socket.

C. **Ground** the electrical outlet box.

D. **Use only an individual branch circuit with a Ground Fault Circuit Interrupter (GFCI) protected grounded outlet for cord plug.**

SAFETY / INSTALLATION

4. **Never run pump dry.** To do so can damage internal parts, overheat the pump (which can cause burns to people handling or servicing the pump), and **will void the warranty!**
5. **DO NOT** attempt to oil the pump motor. A special oil has been put into the motor housing at the factory; use of any other oil will void the warranty and could damage the pump.
6. This pump is recommended for use in permanent installations only. This pump has not been investigated for use in swimming pool areas.
7. Know the pump application, limitations, and potential hazards. Not for use with salt water or brine.

▲ WARNING Do not use in explosive atmospheres. Pump water only with this pump. Failure to follow this warning can result in personal injury and/or property damage.

8. Release all pressure within the system before servicing any component.
9. Drain water from the system before servicing.
10. Secure the discharge line before starting the pump. An unsecured discharge line will whip, possibly causing personal injury and/or property damage.
11. Periodically inspect pump and system components. Perform routine maintenance as required (See MAINTENANCE).
12. Provide a means of pressure relief for pumps whose discharge line can be shut-off or obstructed.
13. Personal Safety:
 - a. Wear safety glasses at all times when working with pumps.
 - b. Keep work area clean, uncluttered and properly lighted - replace all unused tools and equipment.
 - c. Keep visitors at a safe distance from the work area.
 - d. Make workshop child-proof - with padlocks, master switches, and by removing starter keys.
14. This equipment is only for use on 115 volt (single phase) and is equipped with an approved 3-conductor cord and 3-prong, grounding-type plug.

▲ WARNING To reduce the risk of electric shock, pull plug before servicing. This pump has not been investigated for use in swimming pool areas. This pump is supplied with a grounding conductor and grounding-type attachment plug. Be certain that it is connected only to a properly grounded grounding-type receptacle.

Where a 2-prong wall receptacle is encountered, it must be replaced with a properly grounded 3-prong receptacle installed in accordance with the National Electrical Code and local codes and ordinances.

15. Protect electrical cord from sharp objects, hot surfaces, oil, and chemicals. Avoid kinking the cord. Replace or repair damaged or worn cords immediately.
16. Do not handle a pump or pump motor with wet hands or when standing on a wet or damp surface, or in water.

▲ WARNING Risk of electric shock. If your basement has water or moisture on the floor, do not walk on wet area until all power has been turned off. If shut-off box is in basement, call the electric company to shut-off service to the house, or call your local fire department for instructions. Remove pump and repair or replace. Failure to follow this warning can result in fatal electrical shock.

ADDITIONAL INSTALLATION MATERIALS (Purchase Separately)

Sump Pump Hose Kit, SEARS Stock No. 27909, containing 24' (7.3M) of 1-1/4" flexible plastic pipe, 1-1/4" plastic adapter and stainless steel clamp. We recommend a Check Valve, SEARS Stock No. 2789 or 2792.

THE SUMP

Locate sump at lowest place in basement or drained area. Floor drains or drain tiles can also be tiled into sump. Minimum sump size is 12" (305mm) in diameter by 24" (610mm) deep for model 390.305001 and 10" (254mm) in diameter by 20" deep (508mm) for models 390.304692, 390.304790 and 390.305790. Periodically inspect pump, system components, and sump for debris and foreign objects. Keep sump free from all refuse. Perform routine maintenance as required. Use a sump cover to exclude refuse from sump. Consult local code for cover specifications.

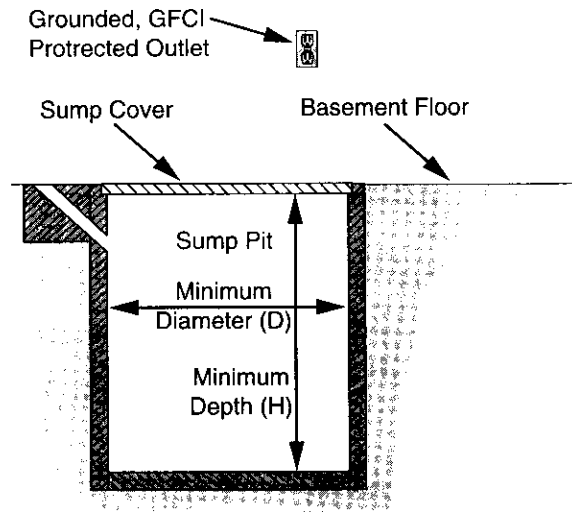


Figure 1

Pump Model	Minimum Diameter (D)	Minimum Depth (H)
390.305001	12" (305mm)	24" (610mm)
390.304692		
390.304790	10" (254mm)	20" (508mm)
390.305790		

INSTALLATION / OPERATION / ELECTRICAL

PUMP INSTALLATION

Set the pump on the bottom of the sump, making sure that it sits solidly and is level. Be sure there is enough space around the pump to allow the switch free movement as the sump water level changes. Do not install the pump on clay, earth, or sand surface.

CAUTION Risk of flooding. If a flexible discharge hose is used, pump may move around in sump when motor starts. If it moves far enough so that the switch hits the side of the sump, the switch may stick and prevent pump from starting. Make sure that pump is secured so that it cannot walk around in sump.

Hose Kit No. 27909 can be used as the discharge pipe. Run the discharge pipe to the nearest sewer outlet or other point of disposal. Use the most direct route and the fewest turns and elbows possible.

Use Teflon tape to seal threads in plastic pipe. Hand tighten only.

NOTE: To avoid backflow into sump when pump shuts off, install a Check Valve, SEARS Stock No. 2789, in threaded discharge port of pump. A SEARS No. 2789 Check Valve is constructed with an anti-airlock hole. If you use a SEARS No. 2792 or any other check valve, drill a 1/8" hole in the discharge pipe just above the pump discharge port and below the Check Valve to prevent pump from airlocking.

Make sure the air-bleed hole is down inside the sump so that it does not run water on the basement floor when the pump is running.

AUTOMATIC FLOAT SWITCH INSTALLATION AND OPERATION

Your SEARS Model 390.305001 Submersible Drainer comes with the automatic float switch mounted on the motor housing ready for operation. Tether length is factory set at 3" (76mm). Do not change tether length. See Page 6 for vertical float switch instructions.

WARNING Risk of electric shock. Always disconnect the pump and switch from the electrical power source before doing any maintenance!

Follow instructions below to install pump with factory mounted switch:

1. Be sure automatic float can swing freely through its entire arc without interference from pump, piping, sump wall or any other object.
2. Plug the automatic switch cord into a properly grounded outlet (see "Electrical Connections", Page 4). Plug the pump power cord into the back of the switch plug.
3. Test the installation by adding water to the sump pit until pump operates normally as follows:
 - A. When sump is dry, the watertight automatic float switch is hanging in a downward position and the pump is off.

B. As water comes into the sump, the automatic float switch rises to an upward position and the pump starts.

C. Water will continue to be pumped until the float switch is hanging in the downward position again, when pump will stop.

DO NOT ALLOW PUMP TO RUN DRY!

Be sure to leave at least 5" (127mm) of water above pump base plate when pump stops. Running pump dry could ruin the pump and will void the warranty.

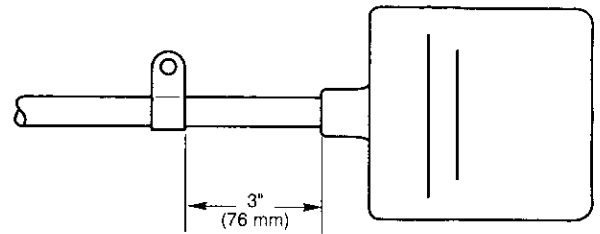


Figure 2

Switch tether is factory set at 3" (76mm).

NOTICE: Do not change tether length.

ELECTRICAL CONNECTIONS

The Sump Pump has a 3-prong electric plug. The third prong is used to ground the pump to prevent possible fatal shock. The third prong should never be removed. Your electrical outlet should be the 3-prong, polarized type with an internal ground.

An individual branch 15 amp electrical circuit is recommended. **DO NOT USE AN EXTENSION CORD.**

Testing for Ground

For your safety, check your outlet for ground using an Underwriters Laboratory Listed Circuit Analyzer (Figure 3A). A Circuit Analyzer will tell you by a pattern of lights if the power, neutral, and ground wires are correctly connected to your outlet. It can also be used to check other outlets in your home. A Circuit Analyzer is available in the Sears Electrical Department.

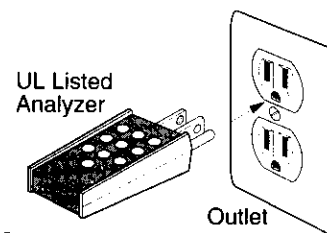


Figure 3A

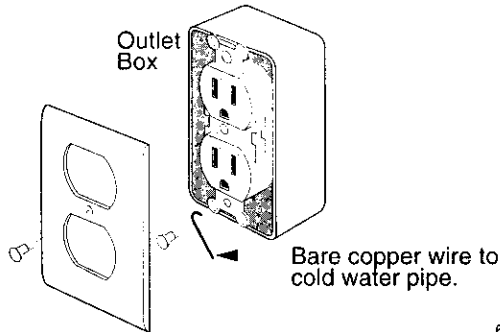
665 0194

ELECTRICAL / MAINTENANCE

Grounding Outlet

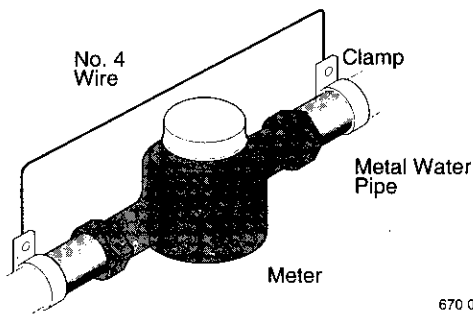
If your outlet is not grounded, install a copper wire, at least 14 gauge (2mm²), from the outlet box, as shown in Figure 3B, to a metal cold water pipe. Use ground clamp on pipe.

IMPORTANT: The cold water pipe you use as a ground must have metal continuity to electrical ground. If continuity is interrupted by plastic, rubber, or other electrical insulators; such as hoses, fittings, washers or gaskets (including water meter or pump), a metal bypass must be used. Any electrically insulated connector should be jumped (as shown in Figure 3C), with a length of No. 4 wire clamped securely at both ends.



669 0194

Figure 3B



670 0194

Figure 3C

Automatic Thermal Overload Protection

This pump motor has a built-in automatic thermal overload protector. If the motor overheats, the protector will open and cut off power to the motor before the heat damages it internally. The overload will reset automatically and the pump will restart after the pump cools down below the danger point.

⚠ WARNING DO NOT attempt to work on the pump or motor if the overload seems to have tripped. The motor may restart without warning at any time. You could be injured and the pump damaged if it starts when you are working on it.

DO NOT attempt to repair a non-operational sump pump. Take it to Sears for service by a qualified technician.

Generator Sizing

Below is the minimum Engine-Generator Watt rating required to power this pump motor. Any additional loads, such as lights, must be added to the listed load and the generator sized accordingly. Generators are available at all Sears Stores.

Pump Model	HP	Minimum Watt Rating of Generator
390.305001	1/2	2800
390.304692	1/3	4500
390.304790	1/3	3400
390.305790	1/2	4200

MAINTENANCE

⚠ CAUTION Make certain that the pump is unplugged before attempting to service or remove any component.

1. The motor in the unit is sealed in oil. No additional lubrication is necessary.
2. **IMPORTANT:** Disassembly of the motor assembly will void the warranty. It might also cause internal leakage and damage to the unit. If repairs are required, return the pump to the dealer from whom it was purchased.
3. Inlet screen should be kept clean and free of all foreign objects.

Pump Cleaning

NOTICE: Attempting to disassemble motor will void the warranty.

1. Disconnect power cord from electrical outlet before working on pump. The volute bottom may be removed to replace impeller or clean pump of mud or debris.
2. Remove screws from volute bottom and clean impeller. Replace the gasket/O-Ring if it is damaged.

To Reassemble:

Attach volute bottom to volute top with screws.

SERVICE / SPECIFICATIONS

General

▲WARNING Risk of electric shock. When servicing pump always disconnect power to electrical outlet and remove pump electric cord from outlet.

1. If pump does not operate:
 - a. Check for loose plug at electric outlet.
 - b. Check for blown fuses or tripped circuit breakers at fuse box/circuit breaker box.
 - c. Be sure nothing interferes with action of automatic float switch.
 - d. If a, b, and c above check OK, plug in a light that you know works. If it lights, take your pump to Sears for service. If it doesn't light, the electrical circuit is faulty; consult a licensed electrician.
2. Pump starts, but blows fuses/trips circuit breakers:
After disconnecting power to pump, remove the screen and shield from the bottom of the pump and make sure that the impeller turns freely. Remove any debris obstructing impeller. If pump still does not operate correctly, return it to your nearest Sears Service Department for repairs.
3. Pump runs, but does not empty sump:
 - a. Clean pump intake screen.
 - b. Water may be entering sump faster than the pump can discharge it.
 - c. Be sure vertical distance from pump discharge outlet to discharge pipe outlet does not exceed maximum vertical pumping distance shown in "Specifications," below.
 - d. Be sure discharge pipe is not plugged or frozen.

TEATHERED SWITCH REPLACEMENT

NOTICE: Teathered float must be able to swing through its complete arc without interference from sidewall of sump, plumbing or any other object.

1. Remove pump power cord from switch plug.
2. Remove tether clamp screw and slide cord from clamp.
3. Insert new cord in tether clamp. Put the clamp at the same distance from the float that it was on the old switch.
4. Tighten tether clamp screw.
5. Check sump pump operation by filling sump with water and observing operation through one complete cycle.

▲WARNING Failure to check installation with water in sump can lead to improper operation, premature pump failure and flooding.

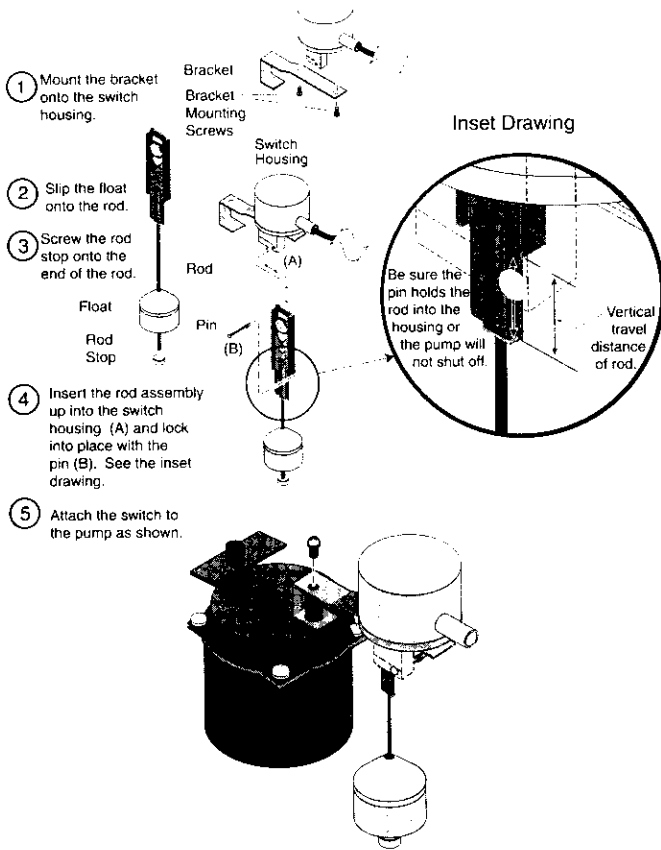
SPECIFICATIONS

Stock Number	HP	Maximum Amps	Dimensions in inches (mm)			GPM (L/min.) at Vertical Pumping Distance in Feet (M)				
			Length	Width	Height	5' (1.6)	10' (3)	15' (4.6)	20' (6.1)	25' (7.6)
30469	1/3	13.0	9" (229)	6-1/2" (165)	11-1/2" (292)	50 (189)	41 (155)	28 (106)	3 (11.4)	–
3050	1/2	7.6	9" (229)	6-1/2" (165)	11-1/2" (292)	61 (231)	56 (212)	50 (189)	46 (174)	43 (163)
30479	1/3	9.8	9-3/4" (248)	7-5/16" (186)	11-1/2" (292)	48 (182)	39 (148)	29 (110)	16 (61)	–
30579	1/2	12.0	9-3/4" (248)	7-5/16" (186)	11-1/2" (292)	62 (235)	53 (200)	46 (174)	38 (144)	26 (98)

SERVICE

VERTICAL SWITCH REPLACEMENT

Model 390.304692



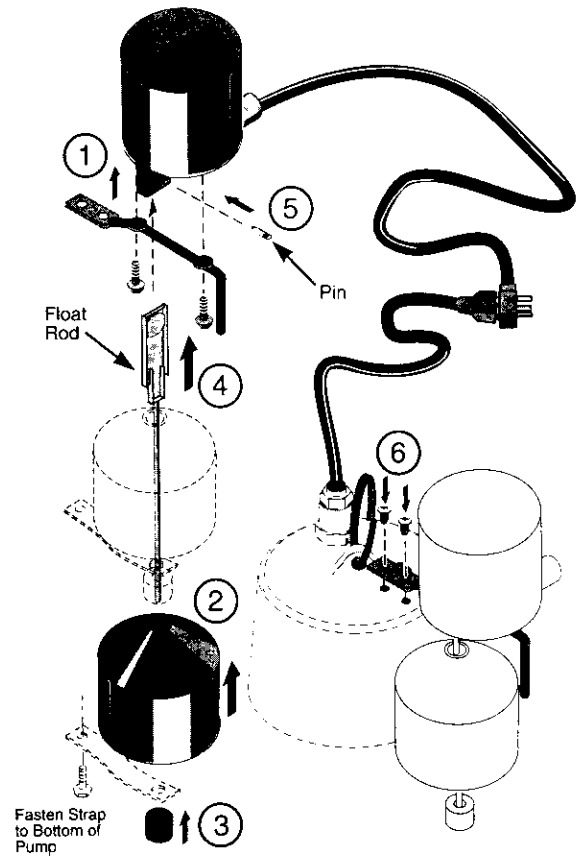
CAUTION Make sure pin holds float rod in switch housing; otherwise pump will not shut off.

To check switch operation, run pump through one complete cycle after installation.

WARNING Risk of electrical shock. Can burn or kill. Plug pump and switch into a grounded electrical outlet *only*.

VERTICAL SWITCH REPLACEMENT

Models 390.30479 and 390.30579



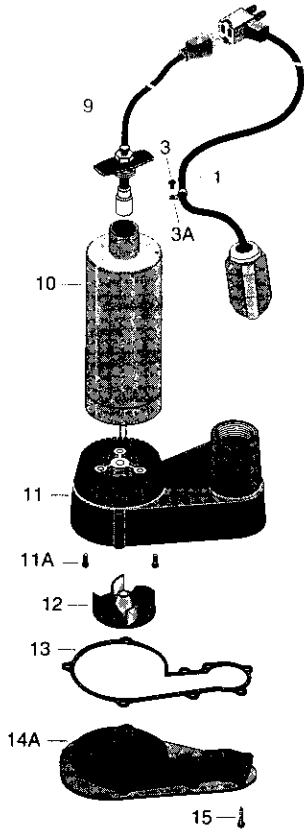
CAUTION Make sure pin holds float rod in switch housing; otherwise pump will not shut off.

To check switch operation, run pump through one complete cycle after installation.

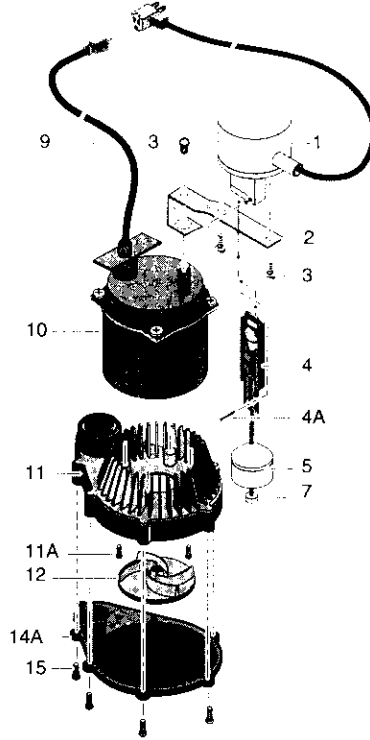
WARNING Risk of electrical shock. Can burn or kill. Plug pump and switch into a grounded electrical outlet *only*.

REPAIR PARTS

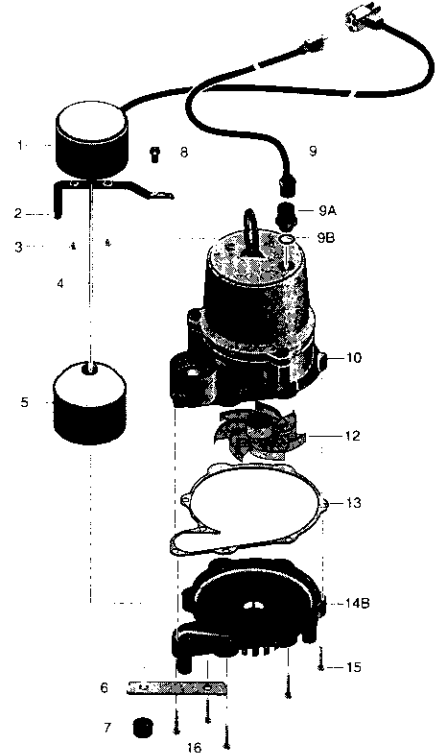
Model 390.305001



Model 390.304692



Model 390.304790 / 390.305790



REPAIR PARTS LIST

Key No.	Part Description	390.305001	390.304692	390.304790	390.305790
1	Switch	PS117-144P	PS17-66	PS17-85	PS17-85
2	Mounting Bracket	-	PS19-18SS	PS19-20SS	PS19-20SS
3	Screw	U30-955PS	U30-955PS (3 Req.)	U30-955PS(2 Req.)	U30-955PS (2 Req.)
3A	Cord Clip	CC0030-13	-	-	-
4	Float Rod	-	PS28-17	PS28-17	PS28-17
4A	Float Retainer Pin	-	PS30-3	-	-
5	Float	-	PS28-18	PS28-18	PS28-18
6	Retainer Strap	-	-	PS19-21	PS19-21
7	Float Stop	-	RP0005248	RP0005248	RP0005248
8	Screw	-	-	U30-539SS	U30-539SS
9	Power Cord	PS117-54-TSU	PS117-53-TSU	PW117-281-TSU	PW117-237-TSU
9A	Cord Connector	-	-	PS17-46P	PS17-46P
9B	O-Ring	-	-	U9-370	U9-370
10	Motor Housing	-	**	**	**
11	Upper Volute	PS1-28P	PS1-29P	-	-
11A	Screws	U30-920SS (3 Req.)	U30-912PS (4 Req.)	-	-
12	Impeller	PS5-22P	RP0000911A	PS5-26P	PS5-29P
13	Volute Gasket	PS20-19	-	PS20-21	PS20-21
14A	Base Plate	PS3-29P	PS4-17P	-	-
14B	Lower Volute	-	-	PS1-34P	PS1-34P
15	Cap Screws	U30-934ZP (8 Req.)	U30-934ZP (8 Req.)	U30-966SS (7 Req.)	U30-966SS (7 Req.)
16	Cap Screw	-	-	U30-967SS	U30-967SS
*	1-1/4x1-1/2" Reducer Bushing	-	-	U78-130P	U78-130P

Quantity ONE unless otherwise noted ().

* Not illustrated.

** If motor fails, replace entire pump.

To Order Parts in the U.S.A., Call
Sears Product Service, 1-800-366-7278

To Order Parts outside the U.S.A., Call
Your local Sears Service Center or Store

OWNER'S MANUAL

Model No.

390.305001

390.304692

390.304790

390.305790

The model number of your Submersible Sump Pump will be found on a plate attached to the side of the motor.

When requesting service or ordering parts, always give the following information:

- Product Type
- Model Number
- Part Number
- Part Description

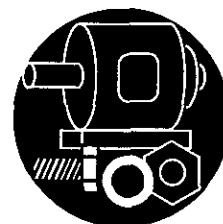
CRAFTSMAN[®] SUBMERSIBLE SUMP PUMP

For the repair or replacement parts you need

Call 7 am - 7 pm, 7 days a week

1-800-366-PART

(1-800-366-7278)



For in-home major brand repair service

Call 24 hours a day, 7 days a week

1-800-4-REPAIR

(1-800-473-7247)



For the location of a
Sears Repair Service Center in your area

Call 24 hours a day, 7 days a week

1-800-488-1222



For information on purchasing a Sears
Maintenance Agreement or to inquire
about an existing Agreement

call 9 am - 5 pm, Monday-Saturday

1-800-827-6655



SEARS
REPAIR SERVICES
America's Repair Specialists

Sears, Roebuck and Co., Hoffman Estates, IL 60179 U.S.A.

Free Manuals Download Website

<http://myh66.com>

<http://usermanuals.us>

<http://www.somanuals.com>

<http://www.4manuals.cc>

<http://www.manual-lib.com>

<http://www.404manual.com>

<http://www.luxmanual.com>

<http://aubethermostatmanual.com>

Golf course search by state

<http://golfingnear.com>

Email search by domain

<http://emailbydomain.com>

Auto manuals search

<http://auto.somanuals.com>

TV manuals search

<http://tv.somanuals.com>