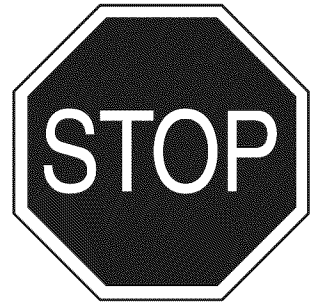


Owner's Manual

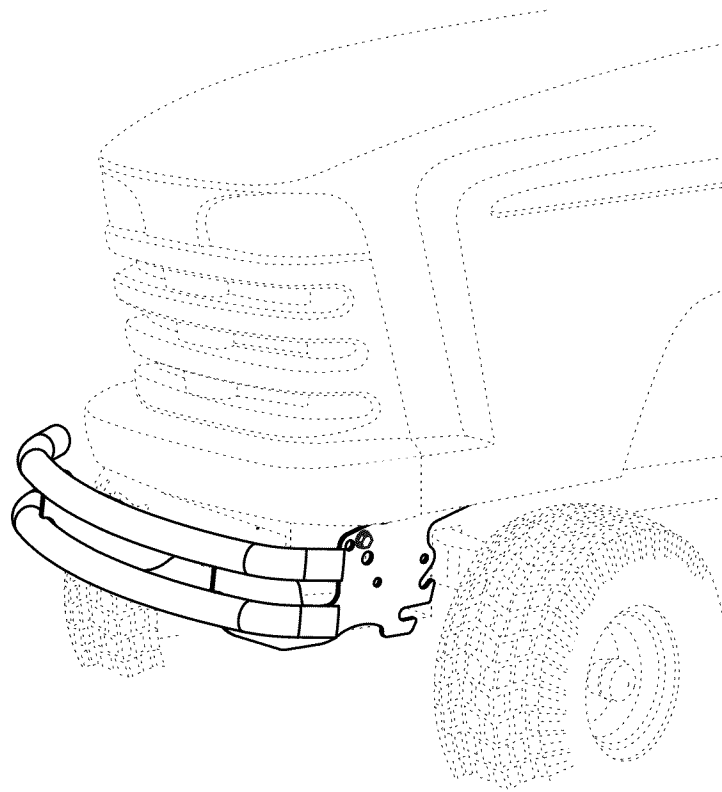


FRONT BUMPER

Model Nos. 486.246112, 486.246121

Fits 247 and 917 Series LT/GT Tractors

DO NOT RETURN TO STORE
For Missing Parts or Assembly
Questions Call 1-866-576-8388



CAUTION:

Before using this product, read this manual and follow all Safety Rules and Operating Instructions.

- Safety
- Assembly
- Operation
- Maintenance
- Parts

Sears Brands Management Corporation, Hoffman Estates, IL 60179 U.S.A.
www.craftsman.com

WARRANTY

CRAFTSMAN ONE YEAR FULL WARRANTY

FOR ONE YEAR from the date of purchase, this product is warranted against any defects in material or workmanship. A defective product will be replaced free of charge.

For warranty coverage details to obtain free replacement, visit the web site: www.craftsman.com

This warranty is void if this product is ever used while providing commercial services or if rented to another person.

This warranty gives you specific legal rights, and you may also have other rights which vary from state to state.

Sears Brands Management Corporation, Hoffman Estates, IL 60179

DO NOT RETURN TO STORE for Missing Parts or Assembly Questions
Call 1-866-576-8388 Attachment Hotline



SAFETY



Any power equipment can cause injury if operated improperly or if the user does not understand how to operate the equipment. Exercise caution at all times when using power equipment.

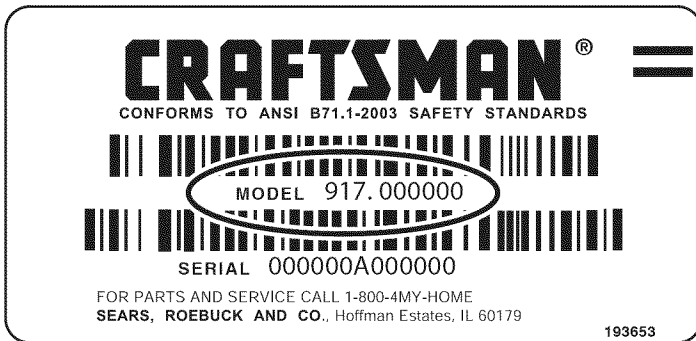


Look for this symbol to point out important safety precautions. It means — **Attention!! Become alert!! Your safety is involved.**

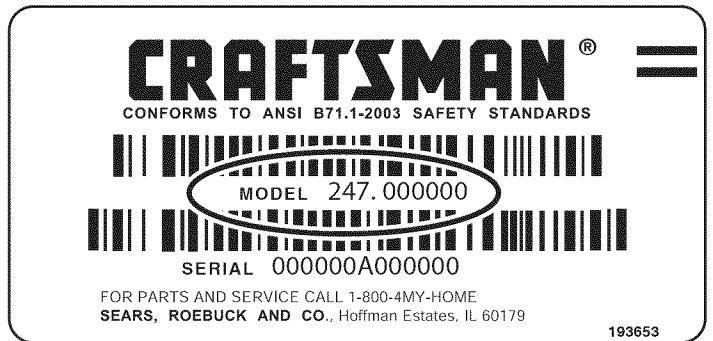
- Refer to your tractor owners manual for "**Rules For Safe Operation**".

BEFORE YOU BEGIN

Find your tractor's model number under the seat of the tractor.



**917 MODEL TRACTORS
GO TO PAGE 3**



**247 MODEL TRACTORS
GO TO PAGE 5**

TOOLS REQUIRED (917 MODEL)

- (1) 9/16" Wrench

TOOLS REQUIRED (247 MODEL - TYPE 1)

- (1) 3/4" Wrench
- (1) 9/16" Wrench

TOOLS REQUIRED (247 MODEL - TYPE 2)

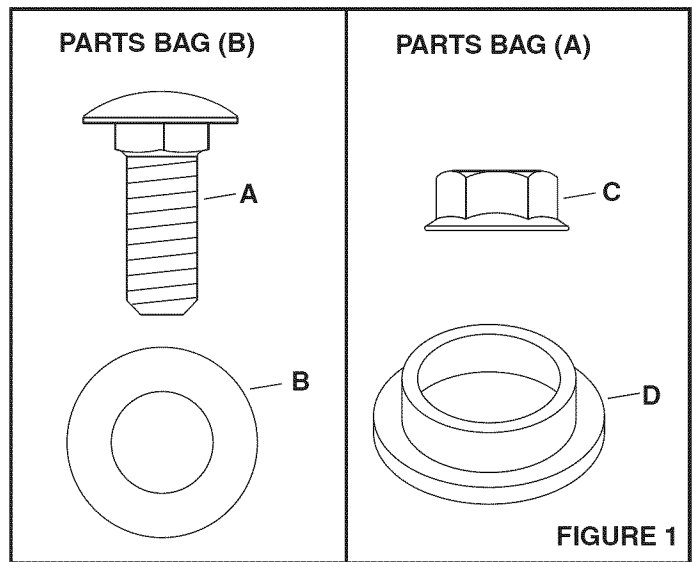
- (2) 9/16" Wrenches
- (2) 1/2" Wrenches

INSTRUCTIONS FOR 917 MODEL TRACTORS

STEP 1: (SEE FIGURE 1)

- Open parts bags (A) and (B) to verify that all parts are present.

Ref.	Part	Qty.	Description
A	43350	4	Carriage Bolt, 3/8-16 x 1"
B	R19171616	4	Washer, 1/2" x 1"
C	44072	4	Whizlock Nut, 3/8"
	47674	2	Plug (71-246112)
D		4	Plug (71-246121)

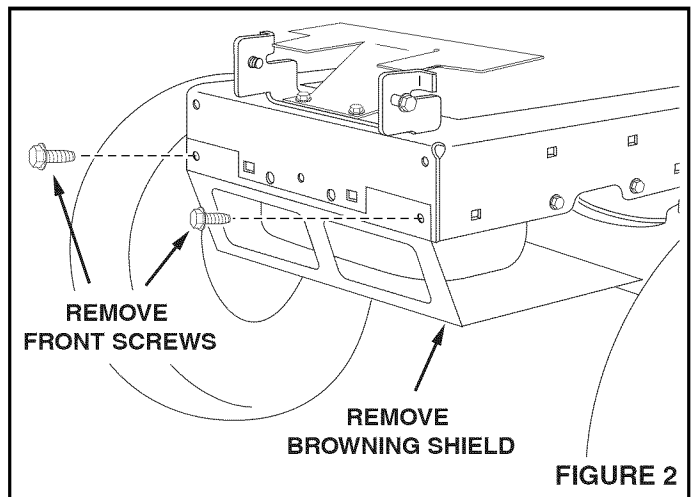


STEP 2: (SEE FIGURE 2)

- Remove tractor hood. (Refer to tractor manual.)
- If your tractor has a browning shield like the one shown, remove it for easier assembly.

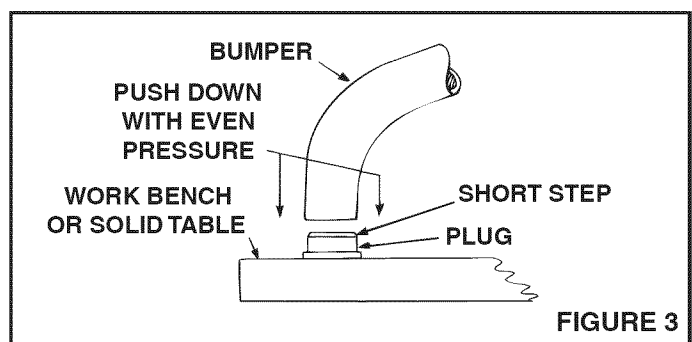


CAUTION! Muffler is hot! Allow engine to cool down before removing browning shield.



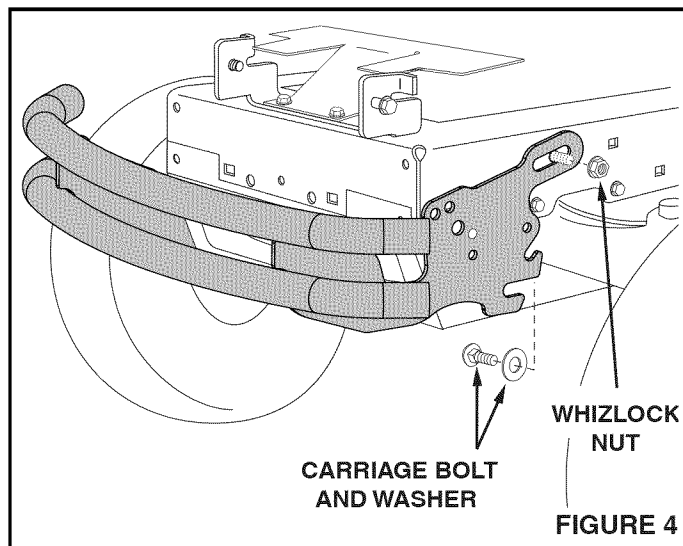
STEP 3: (SEE FIGURE 3)

- Place plug on a work bench or solid table and push end of bumper down onto plug. Repeat for all plugs.



STEP 4: (SEE FIGURE 4)

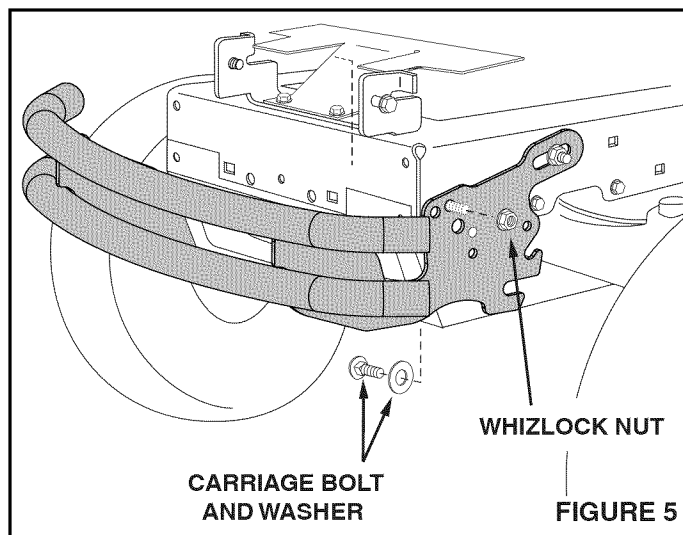
- Place washers onto two carriage bolts.
- Place the bumper over the front of the tractor frame and insert the bolts through the rear holes in the tractor frame and the slots in the bumper. Install whizlock nuts onto the bolts but **do not tighten yet**.



STEP 5: (SEE FIGURE 5)

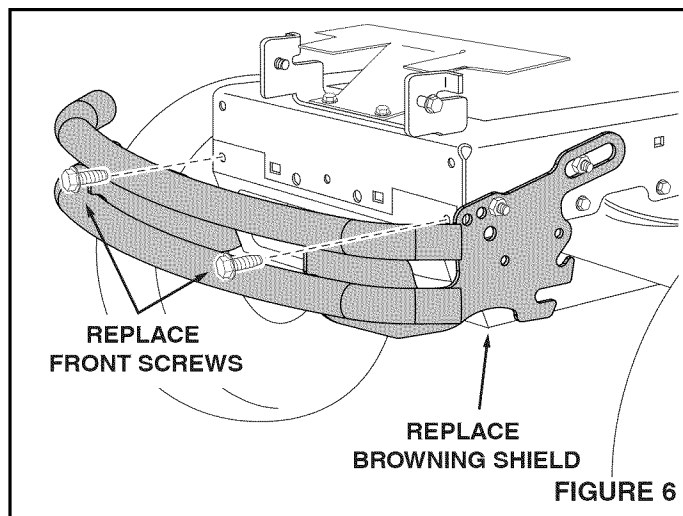
- Place washers onto two carriage bolts.
- Insert the bolts through the front holes in the tractor frame and the mounting holes in the bumper. The rear mounting hole gives the most clearance while the front hole gives a neater appearance. Use a hole that provides enough clearance for the hood to stay in the raised position when opened.
- Install whizlock nuts onto the bolts and **tighten all** four bolts and nuts.

IMPORTANT: Before fully tightening nuts, be sure tractor hood will stay in raised position when opened.



STEP 6: (SEE FIGURE 6)

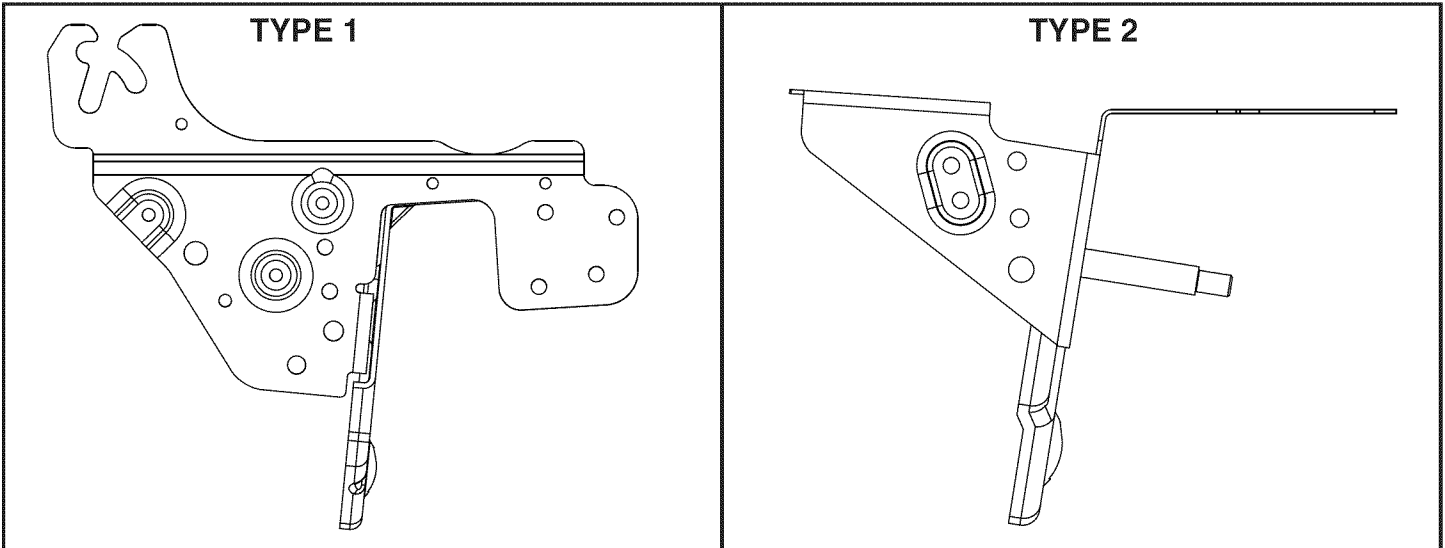
- Replace the browning shield using the front screws you removed in **Step 2**.



INSTRUCTIONS FOR 247 MODEL TRACTORS

IDENTIFY YOUR TRACTOR FRAME

Look at the side of your tractor frame directly below the hood. If your frame looks like the **TYPE 1** frame, go to page 6 for assembly instructions. If your frame looks like the **TYPE 2** frame, go to page 7 for assembly instructions.



NOTE: Only the front of the tractor frame is shown.

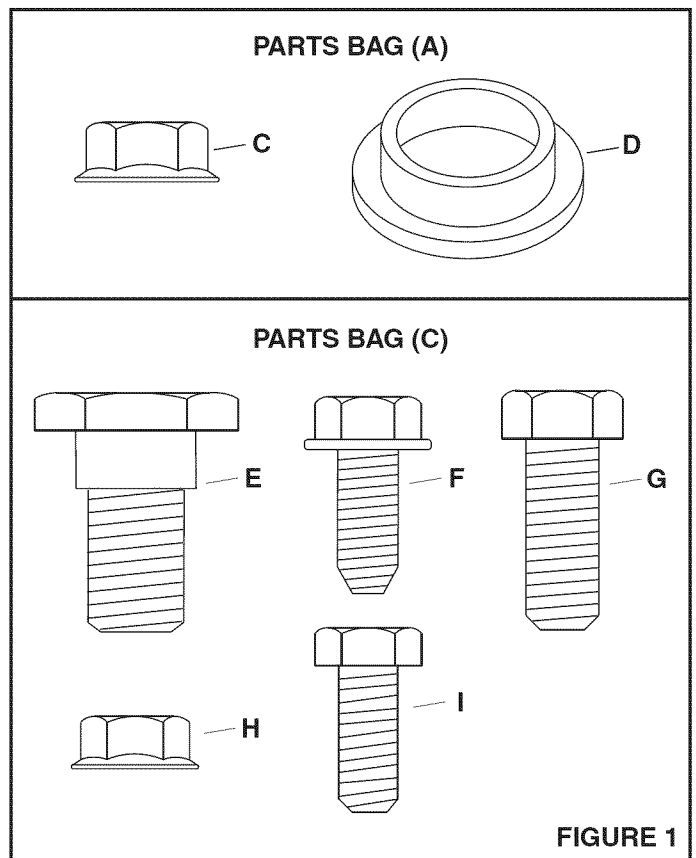
PART BAGS FOR TYPE 1 AND TYPE 2 FRAMES

STEP 1: (SEE FIGURE 1)

- Open parts bags labeled **(A)** and **(C)** and verify that all parts are present.

NOTE: Not all items in the parts bags will be needed. Discard unneeded items after assembly is completed.

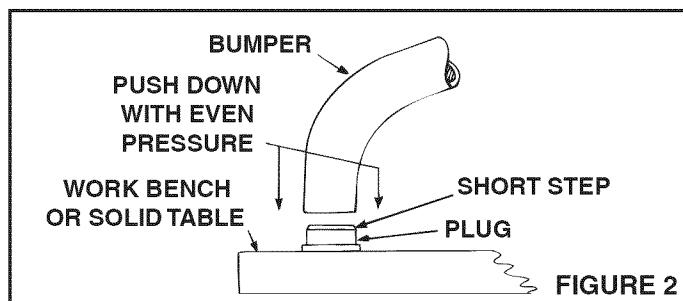
Ref.	Part	Qty.	Description
C	44072	4	Whizlock Nut, 3/8"
D	47674	2	Plug (71-246112)
		4	Plug (71-246121)
E	48106	2	Shoulder Bolt, 3/8-16 x .9"
F	47856	2	Lag Screw, 5/16 x 3/4"
G	43001	2	Hex Bolt, 3/8-16 x 1"
H	46584	2	Whizlock Nut, 5/16"
I	43182	2	Hex Bolt, 5/16 x 3/4"



TYPE 1 TRACTOR FRAME

STEP 2: (SEE FIGURE 2)

- Place plug on a work bench or solid table and push end of bumper down onto plug. Repeat for all plugs.

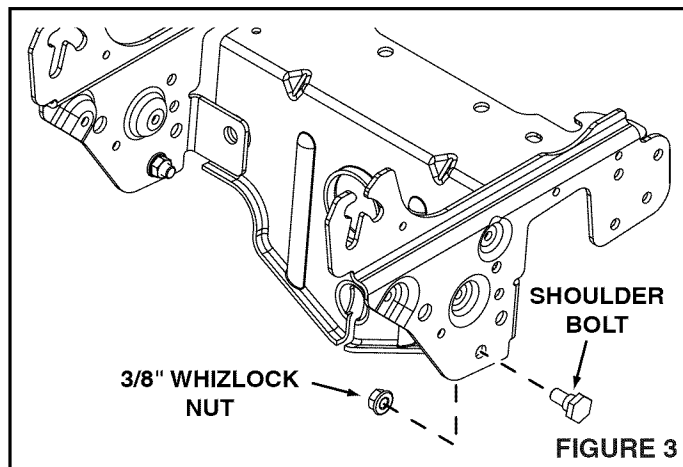


STEP 3: (SEE FIGURE 3)

- Assemble a 0.9 x 3/8" shoulder bolt and 3/8" whizlock nut to each side of the tractor frame. **Tighten.**

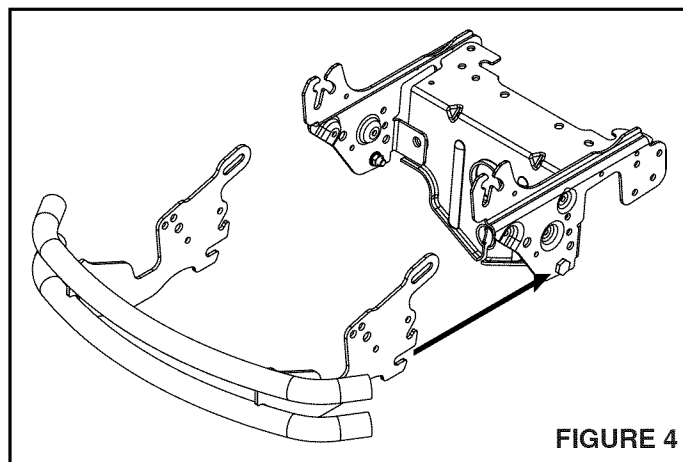


CAUTION! Muffler is hot! Allow engine to cool down before proceeding with bumper installation.



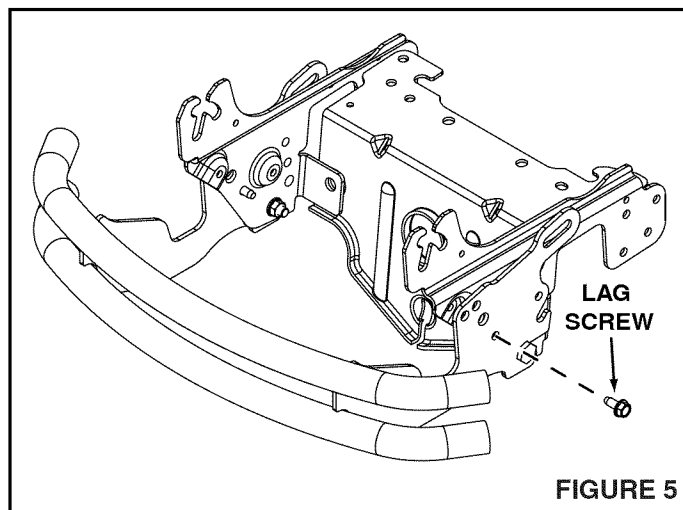
STEP 4: (SEE FIGURE 4)

- Slide the lower slots of the bumper onto the shoulder bolts you assembled to the tractor frame in step 1.



STEP 5: (SEE FIGURE 5)

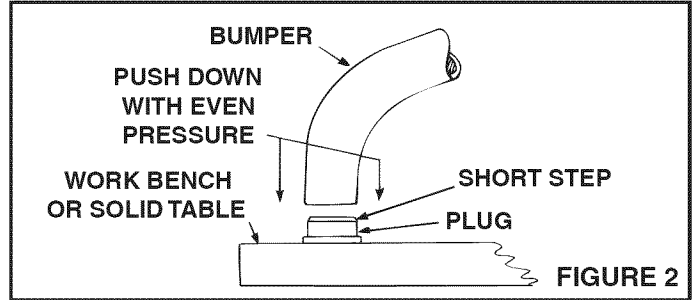
- Assemble a 5/16 x 3/4" lag screw to the bumper and tractor frame.
- Repeat for other side.



TYPE 2 TRACTOR FRAME

STEP 2: (SEE FIGURE 2)

- Place plug on a work bench or solid table and push end of bumper down onto plug. Repeat for all plugs.

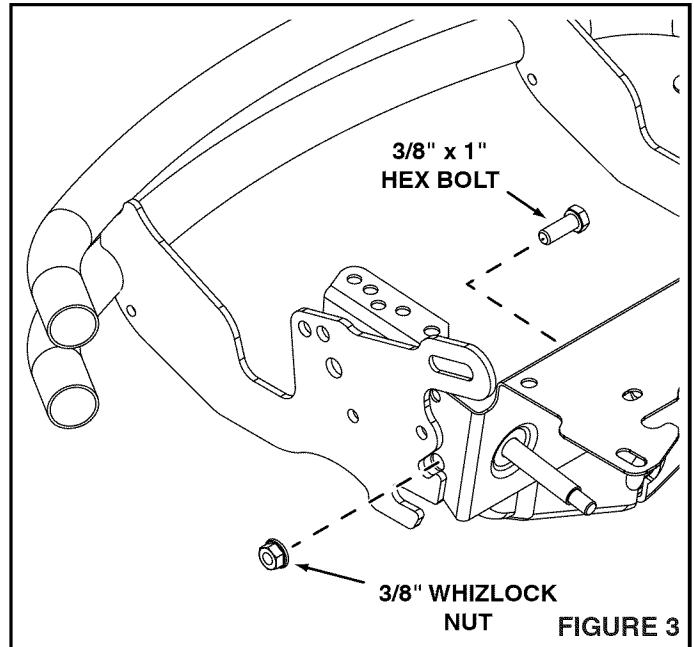


STEP 3: (SEE FIGURE 3)

- Assemble a $\frac{3}{8}$ x 1" hex bolt and $\frac{3}{8}$ " whizlock nut to tractor frame and middle slot of the bumper.
- Tighten** and then **loosen** nut one half turn.
- Repeat for other side of bumper.

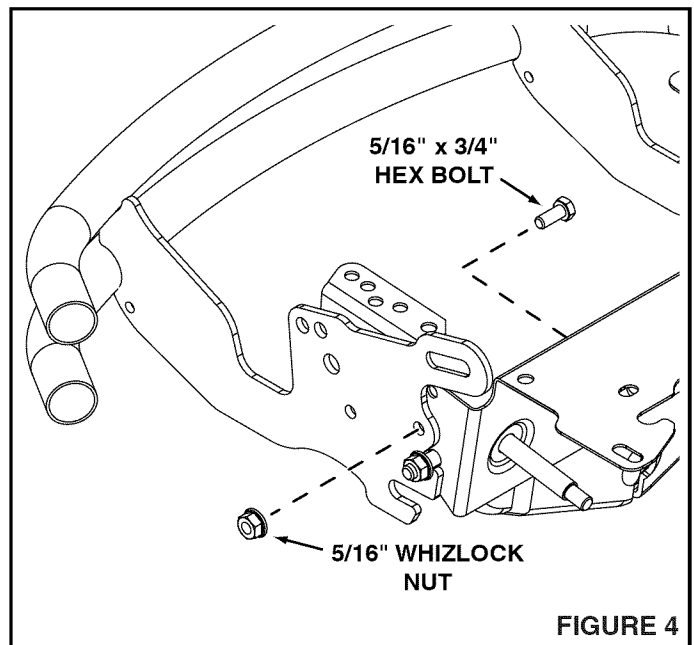


CAUTION! Muffler is hot! Allow engine to cool down before proceeding with bumper installation.



STEP 4: (SEE FIGURE 4)

- Assemble a $\frac{5}{16}$ x $\frac{3}{4}$ " hex bolt and $\frac{5}{16}$ " whizlock nut to the tractor frame and bumper. **Tighten**.
- Repeat for other side of bumper
- Tighten** the two $\frac{3}{8}$ " whizlock nuts assembled in step 1.



CRAFTSMAN®

Product questions or problems?

1-888-331-4569

Customer Care Hot Line

**Get answers to questions, troubleshoot problems,
order parts, or schedule repair service.**

Para respuestas a preguntas o problemas, y ordenar
piezas o pedir servicio para la reparación de su equipo.

To help us help you, register your product at www.craftsman.com/registration

Para poderte ayudar mejor, registra tu producto en www.craftsman.com/registration

Join the Craftsman Club today!

CRAFTSMAN® CLUB

www.craftsman.com/signup

**Receive exclusive member benefits including special pricing and offers,
project sharing, expert advice, and SHOP YOUR WAY REWARDS!**

Como miembro exclusivo, recibe diversos beneficios como ofertas, precios especiales, proyectos nuevos, consejos de expertos y nuestro programa de puntos SHOP YOUR WAY REWARDS!

Free Manuals Download Website

<http://myh66.com>

<http://usermanuals.us>

<http://www.somanuals.com>

<http://www.4manuals.cc>

<http://www.manual-lib.com>

<http://www.404manual.com>

<http://www.luxmanual.com>

<http://aubethermostatmanual.com>

Golf course search by state

<http://golfingnear.com>

Email search by domain

<http://emailbydomain.com>

Auto manuals search

<http://auto.somanuals.com>

TV manuals search

<http://tv.somanuals.com>