

SEARS

**OWNER'S
MANUAL**

**MODEL NO.
536.255861**

Caution:
Read and follow
all Safety Rules
and Instructions
Before Operating
This Equipment



CRAFTSMAN[®]

**12.5 HORSEPOWER
ALL-WHEEL STEER
40" MOWER DECK
5-SPEED TRANSAXLE
LAWN TRACTOR**

- Assembly
- Operation
- Customer Responsibilities
- Service and Adjustment
- Repair Parts



SAFETY RULES



THESE INSTRUCTIONS ARE FOR YOUR PROTECTION. PLEASE READ THEM CAREFULLY.

IMPORTANT

THIS CUTTING MACHINE IS CAPABLE OF AMPUTATING HANDS AND FEET AND THROWING OBJECTS. FAILURE TO OBSERVE THE FOLLOWING SAFETY INSTRUCTIONS COULD RESULT IN SERIOUS INJURY OR DEATH.

I. GENERAL OPERATION:

- Know controls and how to stop quickly.
- Read, understand, and follow all instructions in the manual and on the machine before starting.
- Only allow responsible adults, who are familiar with instructions, to operate the machine.
- Wear safety glasses or eye shields when assembling or operating the machine.
- Do not operate machine when barefooted. Always wear substantial footwear, preferably steel-toed shoes.
- Do not wear loose fitting clothing that could get caught in moving parts.
- Clear the area of objects such as rocks, toys, wire, etc., which could be picked up and thrown by the blade(s).
- Be sure the area is clear of other people before mowing. Stop machine if anyone enters the area.
- Never carry passengers.
- Do not mow in reverse unless absolutely necessary. Always look down and behind before and while backing.
- Be aware of the mower discharge direction and do not point it at anyone. Do not operate the mower without either the entire grass catcher or the guard in place.
- Slow down before turning.
- Never leave a running machine unattended. Always turn off blades, set parking brake, stop engine, and remove keys before dismounting.
- Turn off blade(s) when not mowing.
- Stop engine before removing grass catcher or unclogging chute.
- Mow only in daylight or good artificial light.
- Do not operate the machine while under the influence of alcohol or drugs.
- Watch for traffic when operating near or crossing roadways.
- Use care when mowing around a fixed object to prevent the blade(s) from striking it. Never deliberately run over any foreign object.
- Use extra care when loading or unloading the machine into a trailer or truck.
- Use care when pulling loads or using heavy equipment.
 - a. Use only approved drawbar hitch points.
 - b. Limit loads to those that you can safely control.
 - c. Do not turn sharply. Use care when backing.
 - d. Use counterweight(s), wheel weight or tire chains when suggested in attachment(s) instructions.

II. SLOPE OPERATION:

Slopes are a major factor related to loss-of-control and tip-over accidents, which can result in severe injury or death. *All slopes require extra caution.* If you cannot back up the slope or if you feel uneasy on it, do not mow it.

DO

- Mow up and down slopes, not across.
- Remove obstacles such as rocks, tree limbs, etc.
- Watch for holes, ruts, or bumps. Uneven terrain could overturn the machine. *Tall grass can hide obstacles.*
- Use slow speed. Choose a low gear so that you will not have to stop or shift while on the slope.
- Follow the manufacturer's recommendations for wheel weights or counterweights to improve stability.
- Use extra care with grass catchers or other attachments. These can change the stability of the machine.
- Keep all movement on the slopes *slow and gradual*. Do not make sudden changes in speed or direction.
- Avoid starting or stopping on a slope. If tires lose traction, turn off the blade(s) and proceed slowly *straight down* the slope.

DO NOT

- Do not turn on slopes unless necessary, and then slowly and gradually downhill, if possible.
- Do not mow near drop-offs, ditches or embankments. The

mower could suddenly turn over if a wheel is over the edge of a cliff or ditch, or if an edge caves in.

- Do not mow on wet grass. Reduced traction could cause sliding.
- Do not try to stabilize the machine by putting your foot on the ground.
- Do not use grass catcher on steep slopes.

III. CHILDREN:

Tragic accidents can occur if the operator is not alert to the presence of children. Children are often attracted to the machine and the mowing activity. *Never assume that children will remain where you last saw them.*

- Keep children out of the mowing area and under the watchful care of another responsible adult.
- Be alert and turn machine off if children enter the area.
- Before and when backing, look behind and *down* for small children.
- Never carry children. They may fall off and be seriously injured or interfere with safe machine operation.
- Never allow children to operate the machine.
- Use extra care when approaching blind corners, shrubs, trees, or other objects that may obscure vision.

IV. SERVICE:

- Use extra care in handling gasoline and other fuels. They are flammable and vapors are explosive.
 - a. Use only an approved container.
 - b. Never remove gas cap or add fuel with the engine running. Allow engine to cool before re-fueling. Do not smoke.
 - c. Never re-fuel the machine indoors.
 - d. Never store the machine or fuel container inside where there is an open flame, such as in a water heater.
- Check fuel supply before each use allowing space for expansion as the heat of the engine and/or sun can cause gasoline to expand and overflow the tank.
- Use extra care when handling battery acid. Acid contact with skin may cause severe burns. Eye contact may cause blindness.
- Use extra care when servicing the battery. Explosive gas is produced in the battery. Do not service the battery while smoking or near an open spark or flame. This may cause the battery to explode causing serious injury.
- Never run a machine inside a closed area. Exhaust fumes contain CARBON MONOXIDE, an ODORLESS and DEADLY GAS.
- Keep nuts and bolts, especially blade attachment bolts, tight and keep equipment in good condition.
- Never tamper with safety devices. Check their operation regularly.
- Do not change the engine governor settings or over speed engine.
- Reduce fire hazards. Keep machine free of grass, leaves, or other debris build-up. Clean up oil or fuel spillage. Allow machine to cool before storing.
- Stop and inspect the equipment if you strike an object. Repair, if necessary, before restarting.
- Never make adjustments or repairs with the engine running.
- Grass catcher components are subject to wear, damage, and deterioration, which could expose moving parts or allow objects to be thrown. Frequently check components and replace with manufacturer's recommended parts, when necessary.
- Mower blade(s) are sharp and can cut. Wrap the blade(s) or wear gloves, and use extra caution when servicing them.
- Check brake operation frequently. Adjust and service as required.



LOOK FOR THIS SYMBOL TO POINT OUT IMPORTANT SAFETY PRECAUTIONS. IT MEANS--ATTENTION!!! BECOME ALERT!!! YOUR SAFETY IS INVOLVED.

CONGRATULATIONS on your purchase of a Sears Craftsman Tractor. It has been designed, engineered and manufactured to give you the best possible dependability and performance.

Should you experience any problem you cannot easily remedy, please contact your nearest Sears Service Center/Department. We have competent, well-trained technicians and the proper tools to service or repair this unit.

Please read and retain this manual. The instructions will enable you to assemble and maintain your tractor properly. Always observe the "SAFETY RULES."

<p>MODEL NUMBER 536.255861</p> <p>SERIAL NUMBER _____</p> <p>DATE OF PURCHASE _____</p> <p>THE MODEL AND SERIAL NUMBERS WILL BE FOUND ON A PLATE UNDER THE SEAT</p> <p>YOU SHOULD RECORD BOTH SERIAL NUMBER AND DATE OF PURCHASE AND KEEP IN A SAFE PLACE FOR FUTURE REFERENCE.</p>

MAINTENANCE AGREEMENT

A Sears Maintenance Agreement is available on this product. Contact your nearest Sears Store for details.

CUSTOMER RESPONSIBILITIES

- Read and observe safety rules.
- Follow a regular schedule in maintaining, caring for and using your unit.
- Follow the instructions under "Customer Responsibilities" and "Storage" sections of this manual.

PRODUCT SPECIFICATIONS

HORSE POWER:	12.5		
GASOLINE CAPACITY:	1 GALLONS UNLEADED REGULAR		
OIL (1 Quart)	SAE 30 - above 32°F. 5W - 30* - below 32°F.		
SPARK PLUG :	Champion N-4C (GAP .030 in.)		
VALVE CLEARANCE:	Intake: .004 - .006 in. Exhaust: .007 - .009 in.		
GROUND SPEED:	FORWARD		
	1st	1.52	MPH
	2nd	2.30	MPH
	3rd	2.92	MPH
	4th	3.44	MPH
	5th	5.16	MPH
	REVERSE:	2.45	MPH
TIRE PRESSURE:	FRONT:	14 PSI	
	REAR:	10 PSI	
CHARGING SYSTEM:	3 AMPS DC: 5AMP AC @ 3600 RPM		
BLADE BOLT TORQUE:	30-35 FT. LBS.		

WARNING: This unit is equipped with an internal combustion engine and should not be used on or near any unimproved forest-covered, brush-covered or grass-covered land unless the engine's exhaust system is equipped with a spark arrester meeting applicable local or state laws (if any). If a spark arrester is used, it should be maintained in effective working order by the operator.

In the state of California the above is required by law (Section 4442 of the California Public Resources Code). Other states may have similar laws. Federal laws apply on federal lands. A spark arrester for the muffler is available through your nearest Sears Authorized Service Center (See REPAIR PARTS section in this manual).

CRAFTSMAN ELECTRIC START RIDING EQUIPMENT

LIMITED TWO YEAR WARRANTY ON ELECTRIC START RIDING EQUIPMENT

For two (2) years from the date of purchase, if this riding equipment is maintained, lubricated and tuned-up according to the instructions in the owner's manual, Sears will repair or replace, any parts found to be defective in material or workmanship.

This warranty does not cover:

- Expendable items which become worn during normal use, such as blades, spark plugs, air cleaners and belts.
- Tire replacement or repair caused by punctures from outside objects, such as nails, thorns, stumps, or glass.
- Repairs necessary because of operator abuse, negligence, improper storage or accident or the failure to maintain the equipment according to the instructions contained in the operator's manual.
- Riding equipment used for commercial or rental purposes.

LIMITED 90 DAY WARRANTY ON BATTERY

For 90 days from the date of purchase, if any battery included with this riding equipment proves defective in material or workmanship and our testing determines the battery will not hold a charge, Sears will replace the battery at no charge.

WARRANTY SERVICE IS AVAILABLE BY RETURNING THE RIDING EQUIPMENT TO THE NEAREST SEARS SERVICE CENTER/DEPARTMENT IN THE UNITED STATES.

This warranty gives you specific legal rights, and you may also have other rights which may vary from state to state.

SEARS, ROEBUCK AND CO., D/817WA, HOFFMAN ESTATES, IL 60179

TABLE OF CONTENTS

SAFETY RULES	2	ASSEMBLY	7-10
PRODUCT SPECIFICATIONS	3	OPERATION	11-15
CUSTOMER RESPONSIBILITIES	3, 16-22	SERVICE AND ADJUSTMENTS	23-32
WARRANTY	3	TROUBLE SHOOTING	33-34
TABLE OF CONTENTS	4	STORAGE	35
INDEX	4	REPAIR PARTS	36-69
TRACTOR ACCESSORIES	5	PARTS ORDERING/SERVICE	Back Cover
CONTENTS OF HARDWARE PACK	6		

INDEX



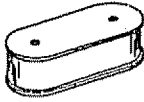

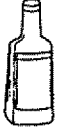



<p style="text-align: center;">A</p> <p>Accessories 5</p> <p>Adjustments:</p> <p style="padding-left: 20px;">Blade Brake 26</p> <p style="padding-left: 20px;">Brake 29</p> <p style="padding-left: 20px;">Carburetor 33</p> <p style="padding-left: 20px;">Mower Deck Leveling:</p> <p style="padding-left: 40px;">Front-To-Rear 25</p> <p style="padding-left: 40px;">Side-To-Side 24</p> <p style="padding-left: 20px;">Mower Deck Height 25</p> <p style="padding-left: 20px;">Seat 28</p> <p style="padding-left: 20px;">Throttle Control Cable 32</p> <p>Air Cleaner, Engine 21</p> <p>Air Intake Screen, Engine 20</p> <p>Assembly 7-10</p> <p style="text-align: center;">B</p> <p>Battery:</p> <p style="padding-left: 20px;">Charging 9</p> <p style="padding-left: 20px;">Cleaning 19</p> <p style="padding-left: 20px;">Installation 10</p> <p style="padding-left: 20px;">Levels 9, 19</p> <p style="padding-left: 20px;">Preparation 8</p> <p style="padding-left: 20px;">Starting with Weak Battery 31</p> <p style="padding-left: 20px;">Storage 35</p> <p style="padding-left: 20px;">Terminals 19</p> <p>Belt:</p> <p style="padding-left: 20px;">Traction Drive</p> <p style="padding-left: 40px;">Removal/Replacement 28</p> <p style="padding-left: 20px;">Mower Blade Drive</p> <p style="padding-left: 40px;">Removal/Replacement 27</p> <p>Blade:</p> <p style="padding-left: 20px;">Blade Care 18</p> <p style="padding-left: 20px;">Sharpening 19</p> <p style="padding-left: 20px;">Replacement 18</p> <p>Brake Adjustment 29</p> <p style="text-align: center;">C</p> <p>Carburetor Adjustment 32</p> <p>Controls, Tractor 11</p> <p>Customer Responsibilities 3, 16-22</p> <p style="padding-left: 20px;">Air Cleaner, Engine 21</p> <p style="padding-left: 20px;">Air Intake Screen, Engine 20</p> <p style="padding-left: 20px;">Battery 19</p> <p style="padding-left: 20px;">Blade 18-19</p> <p style="padding-left: 20px;">Brake Operation 18</p> <p style="padding-left: 20px;">Cooling Systems, Engine 20</p> <p style="padding-left: 20px;">Engine Oil 3, 20</p> <p style="padding-left: 20px;">Fuel Filter 22</p> <p style="padding-left: 20px;">Lubrication Chart 17</p> <p style="padding-left: 20px;">Schedule 16</p> <p style="padding-left: 20px;">Spark Plugs 21</p> <p style="padding-left: 20px;">Tire Care 9, 18, 30</p> <p style="padding-left: 20px;">Cutting Height, Mower 13</p>	<p style="text-align: center;">E</p> <p>Electrical:</p> <p style="padding-left: 20px;">Interlocks and Relays 31</p> <p>Engine:</p> <p style="padding-left: 20px;">Air Cleaner 21</p> <p style="padding-left: 20px;">Air Intake Screen 20</p> <p style="padding-left: 20px;">Cooling System 21</p> <p style="padding-left: 20px;">Oil Change 20</p> <p style="padding-left: 20px;">Oil Level 14, 20</p> <p style="padding-left: 20px;">Oil Type 3, 20</p> <p style="padding-left: 20px;">Preparation 14</p> <p style="padding-left: 20px;">Starting 14</p> <p style="padding-left: 20px;">Storage 35</p> <p style="text-align: center;">F</p> <p>Filter:</p> <p style="padding-left: 20px;">Air Cleaner 21</p> <p style="padding-left: 20px;">Fuel 22</p> <p>Fuel:</p> <p style="padding-left: 20px;">Type 3, 14</p> <p style="padding-left: 20px;">Storage 35</p> <p style="text-align: center;">H</p> <p>Headlights 31</p> <p>Hood Removal/Installation 32</p> <p style="text-align: center;">L</p> <p>Leveling, Mower Deck 24-25</p> <p>Lubrication:</p> <p style="padding-left: 20px;">Chart 17</p> <p style="text-align: center;">M</p> <p>Mower:</p> <p style="padding-left: 20px;">Adjustment, Front-To-Rear 25</p> <p style="padding-left: 20px;">Adjustment, Side-To-Side 24</p> <p style="padding-left: 20px;">Adjustment, Deck Height 25</p> <p style="padding-left: 20px;">Blade Sharpening 19</p> <p style="padding-left: 20px;">Blade Replacement 18</p> <p style="padding-left: 20px;">Brake Adjustment 29</p> <p style="padding-left: 20px;">Cutting Height 13</p> <p style="padding-left: 20px;">Installation 23-24</p> <p style="padding-left: 20px;">Operation 13</p> <p style="padding-left: 20px;">Removal 23-24</p> <p style="padding-left: 20px;">Mowing/Mulching Tips 15</p> <p style="padding-left: 20px;">Muffler 21</p> <p style="padding-left: 20px;">Mulching Plug Removal 19</p> <p style="padding-left: 20px;">Spark Arrester 3, 21</p> <p style="text-align: center;">O</p> <p>Oil:</p> <p style="padding-left: 20px;">Cold Weather Conditions 13, 20</p> <p style="padding-left: 20px;">Engine 20</p> <p style="padding-left: 20px;">Storage 35</p> <p style="padding-left: 20px;">Type 3, 17, 20</p> <p style="padding-left: 20px;">Operation 11-15</p> <p style="padding-left: 20px;">Operating Your Mower 13</p>	<p>Options:</p> <p style="padding-left: 20px;">Accessories 5</p> <p style="padding-left: 20px;">Spark Arrester 3, 21</p> <p style="text-align: center;">P</p> <p>Parking Brake 12-13</p> <p>Parts Bag 6</p> <p>Product Specifications 3</p> <p style="text-align: center;">R</p> <p>Repair Parts 36-69</p> <p style="padding-left: 20px;">Tractor 36-63</p> <p style="padding-left: 20px;">Engine 64-67</p> <p style="padding-left: 20px;">Transmission 68-69</p> <p style="text-align: center;">S</p> <p>Safety Rule 2</p> <p>Service and Adjustments 23-32</p> <p style="padding-left: 20px;">Blade Brake 26</p> <p style="padding-left: 20px;">Carburetor 32</p> <p style="padding-left: 20px;">Control Lever 30</p> <p style="padding-left: 20px;">Fuse 31</p> <p style="padding-left: 20px;">Hood Removal/Installation 32</p> <p style="padding-left: 20px;">Traction Drive Belt:</p> <p style="padding-left: 40px;">Removal/Replacement 28</p> <p style="padding-left: 20px;">Mower Blade Drive Belt:</p> <p style="padding-left: 40px;">Removal/Replacement 27</p> <p style="padding-left: 20px;">Blade Brake Adjustment 26</p> <p style="padding-left: 20px;">Mower Deck Adjustment:</p> <p style="padding-left: 40px;">Front-To-Rear 25</p> <p style="padding-left: 40px;">Side-To-Side 24</p> <p style="padding-left: 20px;">Mower Deck Height 25</p> <p style="padding-left: 20px;">Mower Deck Removal 23-24</p> <p style="padding-left: 20px;">Mower Deck Installation 23-24</p> <p style="padding-left: 20px;">Seat 28</p> <p style="padding-left: 20px;">Steering Gear 29</p> <p style="padding-left: 20px;">Tire Care 9, 18, 30</p> <p style="padding-left: 20px;">Throttle Control 32</p> <p style="padding-left: 20px;">Wheel Repair 30</p> <p>Spark Plugs 21</p> <p>Specifications 3</p> <p>Starting the Engine 14</p> <p>Steering Wheel 7</p> <p>Stopping the Tractor 12</p> <p>Storage 35</p> <p style="text-align: center;">T</p> <p>Table of Contents 4</p> <p>Throttle Control Cable</p> <p style="padding-left: 20px;">Adjustment 32</p> <p>Tires 9, 18, 30</p> <p>Tire Pressure 3, 9, 18</p> <p>Transaxle:</p> <p style="padding-left: 20px;">Cooling 19</p> <p>Troubleshooting Points 33-34</p> <p style="text-align: center;">W</p> <p>Warranty 3</p>
---	---	---

ACCESSORIES AND ATTACHMENTS

These accessories and attachments were available when the unit was purchased. They are also available at most Sears retail outlets, catalog and service centers. Most Sears stores can order these items for you when you provide the model number of your tractor.

ENGINE

CUSTOMER RESPONSIBILITIES

SPARK PLUG	MUFFLER	AIR FILTER	GAS CAN	ENGINE OIL	STABILIZER	BLADES	BELTS
							

PERFORMANCE

Sears offers a wide variety of attachments that fit your vehicle. Many of these are listed below with brief explanations of how they can help you. This list was current at the time of publication; however, it may change in future years - more attachments may be added, changes may be made in these attachments, or some may no longer be available or fit your model. **Contact your nearest Sears store for the accessories and attachments that are available for your unit.**

Most of these attachments do not require additional hitches or conversion kits (those that do are indicated) and are designed for easy attaching and deattaching.

GRASS CATCHER lets you collect grass clippings and leaves for a healthier, neater looking lawn.

LAWN SWEEPERS lets you collect grass clippings and leaves.

LAWN VACS for powerful collections of heavy grass clippings and leaves. Wand attachment to pick up debris in hard-to-reach places.

CARTS make hauling easy. Variety of sizes available.

ROLLER for smoother lawn surface. 36-inch wide, 18 inch diameter water-tight drum holds up to 390 lbs. of weight. Rounded edges prevent harm to turf. Adjustable scraper automatically cleans drum.

SPREADER/SEEDERS make seeding, fertilizing, and weed killing easy. Broadcast spreaders are also useful for granular de-icers and sand.

CORING AERATOR takes small plugs out of soil to allow moisture and nutrients to reach grass roots. 36-inch swath, 24 hardened steel coring tips. 150 lbs. capacity weight tray.

AERATOR promotes deep root growth for a healthy lawn. Tapered 2.5 inch steel spikes mounted on 10-inch diameter discs puncture holes in soil at intervals to let moisture soak in. Steel weight tray for increased penetration.

GAUGE WHEEL KIT helps to eliminate lawn scalping in rough or hilly terrain.

SPRAYERS use 12-volt DC electric motor that connects to the tractor battery or other 12-volt source. Includes booms for automatic spraying when pulling, and hand wand for spot spraying. Wand has adjustable spray pattern. For applying herbicides, insecticides, fungicides, and liquid fertilizers.

48" SNOW BLADE has a rugged, heavy gauge steel blade. Spring loaded blade glides over uneven surfaces. Can be adjusted from seat for straight position, or 35 degrees left or right. Locks in raised position for traveling. Wheel and tire chains are recommended.

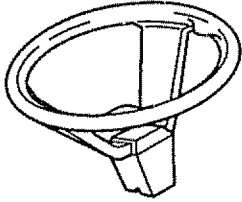
SINGLE-STAGE SNOW THROWER has a 42-inch swath capable of moving more than 70 tons of snow per hour and throwing it accurately in any direction you choose. Driver controlled discharge chute turns a 160 degree arc. Wheel weights and tire chains are recommended.

TIRE CHAINS are heavy duty for added traction. Specify tire size when ordering.

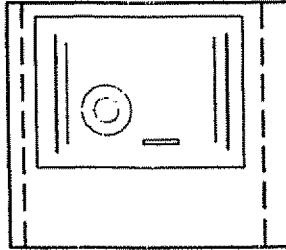
WHEEL WEIGHTS for front and rear wheels, provide needed traction for snow removal or dozing heavy materials. In pairs (30 lbs. each.)

CONTENTS OF HARDWARE PACK

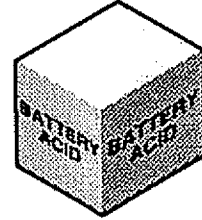
Parts packed separately in carton



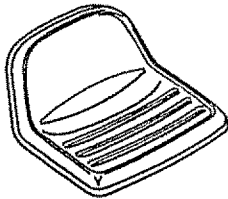
Steering Wheel



Parts Bag



Battery Acid



Seat



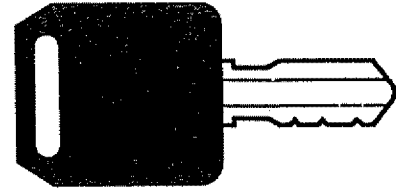
Owner's Manual

Parts Bag contents shown actual size unless noted

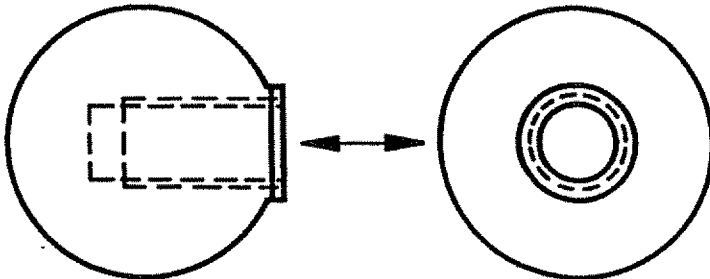
Steering Wheel Assembly Parts



1 - Spring Pin



1 - Spare Key



1 - Mower Clutch Lever Knob



4 - 5/16 x 3/4 Inch Hex Head Screws



4 - 5/16 Inch Split Lockwashers



4 - 11/32 Inch Flatwashers

ASSEMBLY

TOOLS REQUIRED FOR ASSEMBLY

A socket wrench will make assembly easier. Standard wrench sizes are listed.

- (1) Pliers
- (1) Utility knife
- (1) Screwdriver (Small Phillips with a 1/4 inch shank)
- (1) Hammer
- (1) Tire pressure gauge
- (2) 7/16 inch wrenches
- (1) 3/8 inch wrench
- (1) 1/2 inch wrench
- (1) Tape measure

When right and left hand is mentioned in this manual, it means when you are in the operating position (seated behind the steering wheel).

TO REMOVE TRACTOR FROM CARTON

UNPACK CARTON

- Remove cardboard from top of wood crate.
- Remove top frame from carton.
- Carefully remove contents of parts box (see CONTENTS OF HARDWARE PACK on page 6).
- Cut down corners of panels with a utility knife and lay panels down.
- Remove cardboard from chute deflector on deck.
- Remove protective plastic wrap from hood.

TO INSTALL STEERING WHEEL (See FIG. 1)

- Position front wheels straight forward.
- Place steering wheel on steering shaft. Push steering wheel down firmly.
- Align cross holes in steering wheel with holes in steering shaft. **NOTE:** Use a small Phillips screwdriver with a 1/4 inch shaft to align the holes. Keep screwdriver in place as you drive the spring pin in.
- From the left side, drive spring pin (found in parts bag) through opposite side with a hammer.

TO INSTALL ATTACHMENT CLUTCH LEVER KNOB (See FIG. 1)

- Install knob (found in parts bag) onto attachment clutch lever.

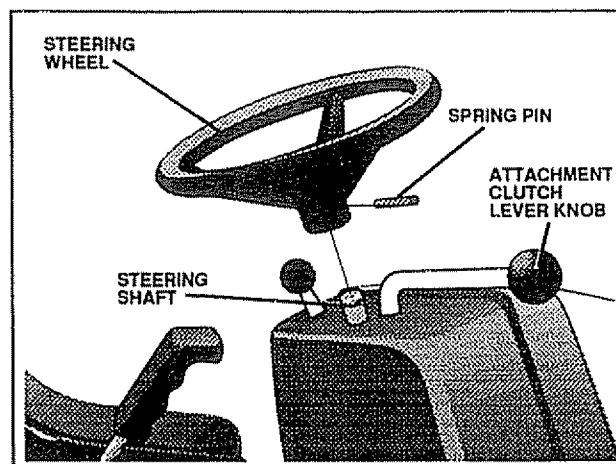


FIG. 1

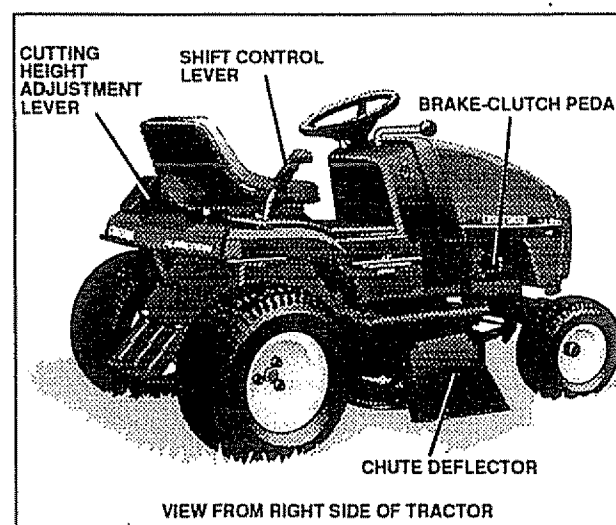


FIG. 2

BEFORE ROLLING TRACTOR OFF SKID (See FIG. 2)

IMPORTANT: CHECK FOR AND REMOVE STAPLES IN SKID THAT MAY PUNCTURE TIRES OF TRACTOR BEFORE ATTEMPTING TO ROLL OFF SKID.

- Carefully cut wire ties (front and back) holding tractor to skid.
- Release parking brake by depressing brake-clutch pedal.
- Place shift control lever in **NEUTRAL** position.
- Place cutting height adjustment lever into highest cut position.
- Carefully roll tractor backwards off wood skid. (ASSISTANCE MAY BE REQUIRED)

IMPORTANT: DO NOT LIFT TRACTOR BY HOOD OR FENDER.

ASSEMBLY

HOW TO SET UP YOUR TRACTOR PREPARE BATTERY

For shipping purposes, battery is installed. Remove battery (see TO REMOVE BATTERY instructions below).



CAUTION: Wear eye and face shield.

Wash hands or clothing immediately if accidentally in contact with battery acid.

Do not smoke. Fumes from charged battery acid are explosive.

Follow the CAUTIONS located on the battery. Always wear gloves, clothing and goggles to protect your hands, skin and eyes.



DANGER



Always disconnect negative (black) cable first. Removing positive cable first can result in sparks if the wrench touches any metal surface. Be sure battery hold-down bracket does not touch battery terminals and cause a spark.

TO REMOVE BATTERY (See FIG. 3) -

- Cut Wire tie holding seat plate to seat spring.
- Disconnect negative (-) black battery cable using 7/16" wrenches.
- Slide battery boot away from positive (+) battery terminal and disconnect positive (+) red battery cable using 7/16" wrenches.
- Remove bolt from battery hold-down bracket with a 3/8" wrench. **NOTE:** Lay battery hold-down bracket and bolt aside for battery installation later.
- Carefully lift battery out of tractor.
- Place battery on level surface.
- Proceed TO ACTIVATE THE BATTERY instructions.

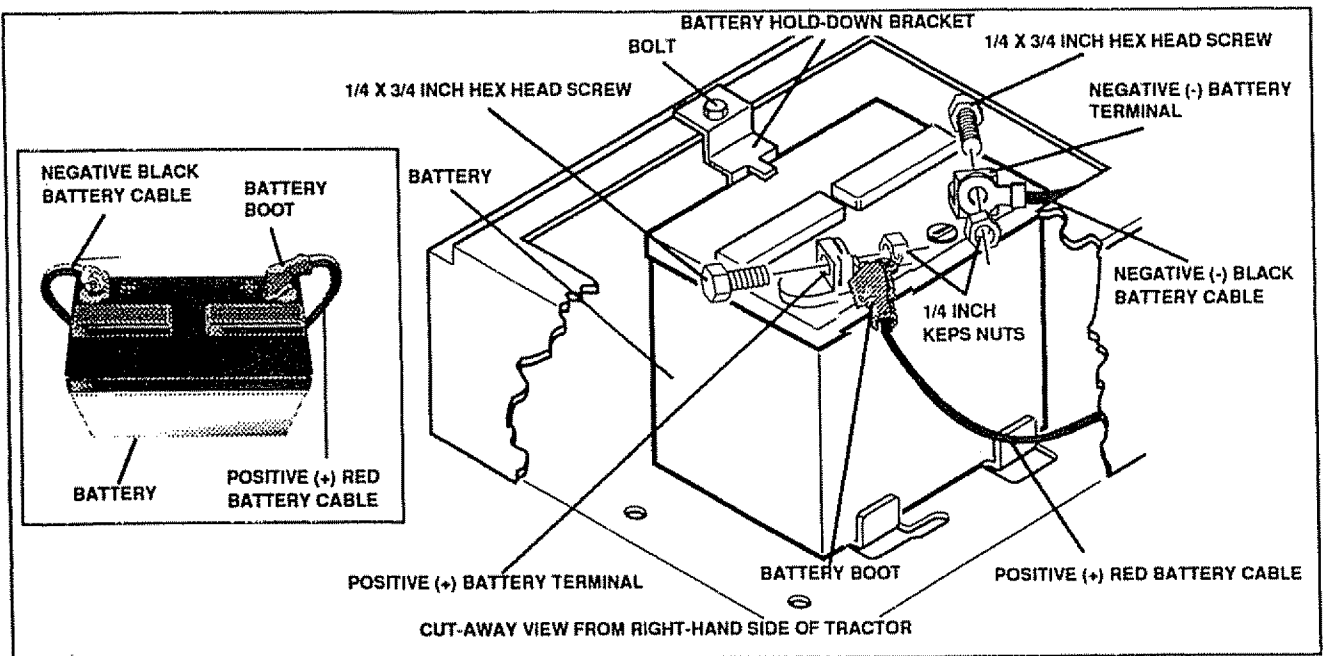


FIG. 3

ASSEMBLY

TO ACTIVATE THE BATTERY (See FIG. 4) -

- Remove vent caps from battery.
- Fill battery with battery acid. Fill each cell until it reaches bottom of vent wells. Do not over fill.
- Allow battery to stand and settle for at least thirty minutes and then check level of acid. If acid is below level outlined on electrolyte package, add more acid until correct level is reached.

IMPORTANT: TO MAXIMIZE LIFE OF YOUR BATTERY, IT IS NECESSARY THE BATTERY BE CHARGED BEFORE USE. FAILURE TO CHARGE BATTERY CAN RESULT IN SHORTENED BATTERY LIFE.

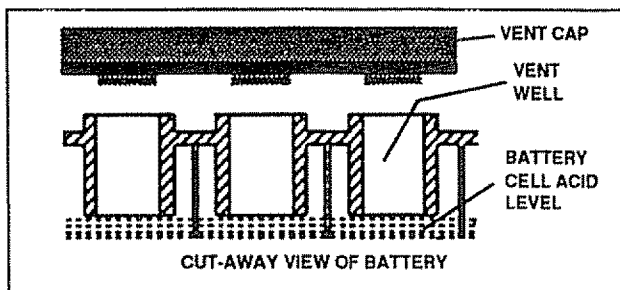


FIG. 4



CAUTION: Handle electrolyte with care. It is an acid and poison. Always wear eye shields, and protect skin when handling acid or battery.

POISON - CAUSES SEVERE BURNS

Contains sulfuric acid.
Avoid contact with skin, eyes or clothing.
To prevent accidents, neutralize excess acid with baking soda and rinse empty container with water.

TREATMENT:

EXTERNAL - Flush with water.

INTERNAL - Drink large quantities of water or milk. Follow with milk of magnesia, beaten eggs or vegetable oil. Call physician immediately.

EYES - Flush with water for 15 minutes and get prompt medical attention.

KEEP OUT OF THE REACH OF CHILDREN

- Charge battery at a rate of six (6) amps for 1 hour. Use a 12-volt battery charger. Observe all safety precautions required for battery charging. Complete assembly section of this manual while waiting for battery to charge.
- Check acid level after the battery is charged. If acid has fallen below correct level, add distilled or iron free water.
- Install vent caps to cover vent wells. Wash top of battery with water to remove any acid, then wipe dry.
- Check battery case for leakage to make sure that no damage has occurred in handling.

- Dispose of excess battery acid. Neutralize acid for disposal by adding it to four inches of water in a five (5) gallon plastic container. Stir with a wooden or plastic paddle while adding baking soda until the addition of more soda causes no more foaming.

TO INSTALL SEAT (See FIG. 5)

- Raise seat plate and secure seat to plate with four 5/16 x 3/4 inch hex head screws, four 5/16 inch split lockwashers and four 11/32 inch flatwashers.

NOTE: Seat may be adjusted forward or rearward to desired operator's position. Tighten mounting screws securely with a 1/2 inch wrench.

- Connect seat switch to wire harness. **NOTE:** If seat switch is not connected to wire harness, engine will stop when mower clutch lever is placed in ON (engaged) position.

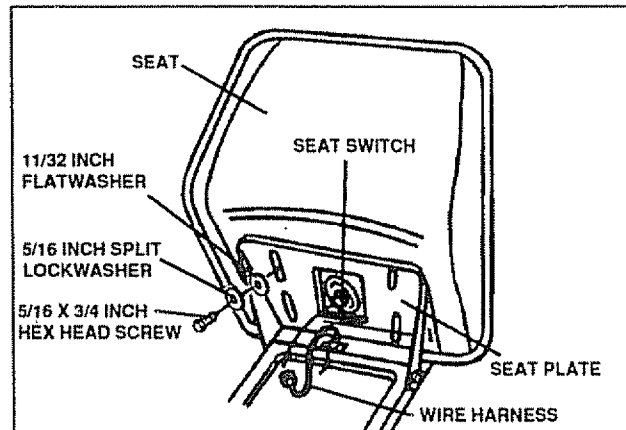


FIG. 5

CHECK TIRE PRESSURE

For shipping purposes, the tires on your tractor were over-inflated at the factory. Correct tire pressure is important for best cutting performance.

- Use tire pressure gauge to check amount of air in tires.
- Reduce tire pressure to PSI shown in "PRODUCT SPECIFICATIONS" on page 3 of this manual.

CHECK FOR PROPER POSITION OF ALL BELTS

- See figures shown for replacing motion and mower blade drive belts in SERVICE AND ADJUSTMENTS section of this manual. Verify belts are routed correctly.

CHECK BRAKE SYSTEM

- After you learn how to operate your tractor, check operation of tractor brake (see BRAKE OPERATION in CUSTOMER RESPONSIBILITIES section of this manual).

ASSEMBLY



DANGER



Always connect positive (red) cable first. Connecting negative cable first can result in sparks if the wrench touches any metal surface. Be sure battery hold-down bracket does not touch battery terminals and cause a spark.

REINSTALL CHARGED BATTERY (See FIG. 6)

- Raise seat and place battery back in tractor with positive (+) terminal toward rear of tractor. **NOTE:** Be sure ignition key is in OFF position.

- Position battery hold-down bracket onto top left edge of battery (opposite terminals).
- Reinstall bolt. Tighten bolt to secure battery.
- Attach positive (+) red battery cable to positive (+) terminal on battery with a 1/4 X 3/4 inch head screw and a 1/4 inch keps nut. Tighten nut securely.
- Place battery boot over positive (+) battery terminal (see Fig. 6 inset).
- Attach negative (-) black battery cable to negative (-) terminal on battery with a 1/4 X 3/4 inch hex head screw and a 1/4 inch keps nut. Tighten nut securely.

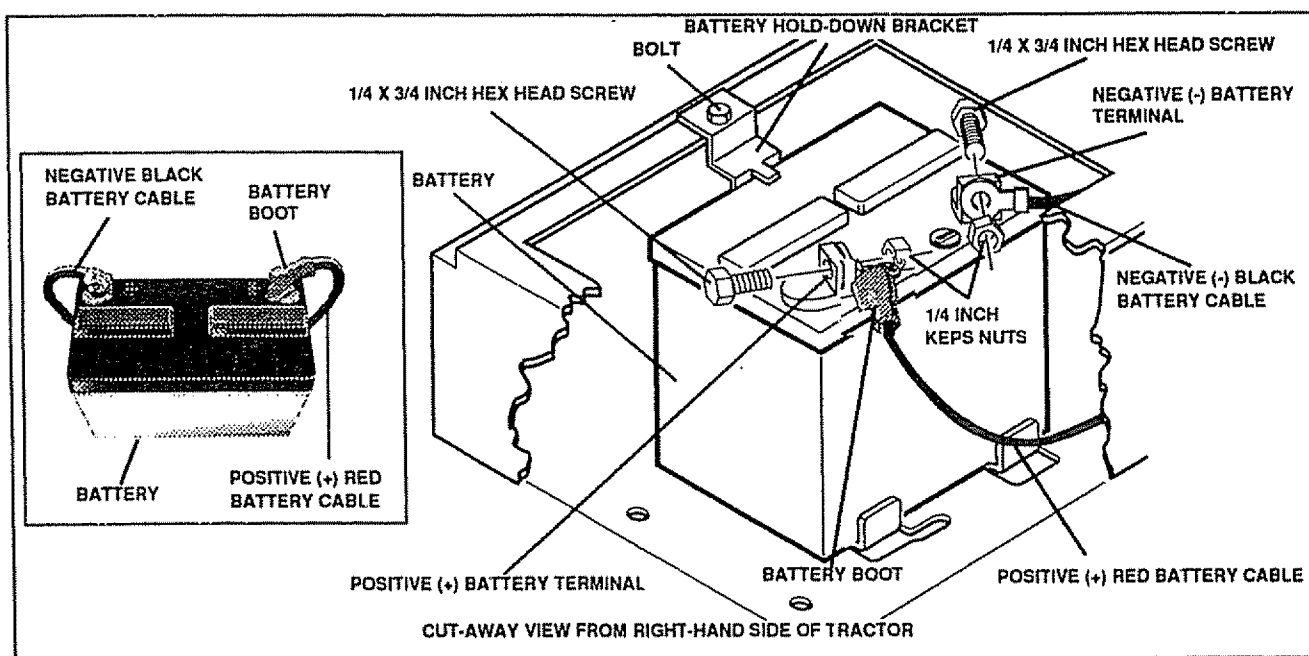


FIG. 6

✓ CHECKLIST

BEFORE YOU OPERATE AND ENJOY YOUR NEW TRACTOR, WE WISH TO ASSURE THAT YOU RECEIVE THE BEST PERFORMANCE AND SATISFACTION FROM THIS QUALITY PRODUCT.

PLEASE REVIEW THE FOLLOWING CHECKLIST:

- ✓ All assembly instructions have been completed.
- ✓ No remaining loose parts in carton.
- ✓ Battery is properly prepared and charged. (Minimum 1 hour at 6 amps).
- ✓ Seat is adjusted comfortably and tightened securely.
- ✓ All tires are properly inflated. (For shipping purposes, the tires were over-inflated at the factory).
- ✓ Be sure mower deck is properly leveled side-to-side/ front-to-rear for best cutting results. (Tires must be properly inflated for leveling)
- ✓ Check mower and drive belts. Be sure they are routed properly around pulleys and inside all belt guides.
- ✓ Check wiring. See that all connections are secure and wires are properly clamped.

WHILE LEARNING HOW TO USE YOUR TRACTOR, PAY EXTRA ATTENTION TO THE FOLLOWING IMPORTANT ITEMS:

- ✓✓ Engine oil is at proper level.
- ✓✓ Fuel tank is filled with fresh, clean, regular Unleaded gasoline.
- ✓✓ Become familiar with all controls-their location and function. Operate controls before starting engine.
- ✓✓ Be sure brake system is in safe operating condition.

OPERATION

KNOW YOUR TRACTOR

READ THIS OWNER'S MANUAL AND SAFETY RULES BEFORE OPERATING YOUR TRACTOR

Compare illustrations (see FIG. 7) with your tractor to familiarize yourself with locations of various controls and adjustments. Save this manual for future reference.

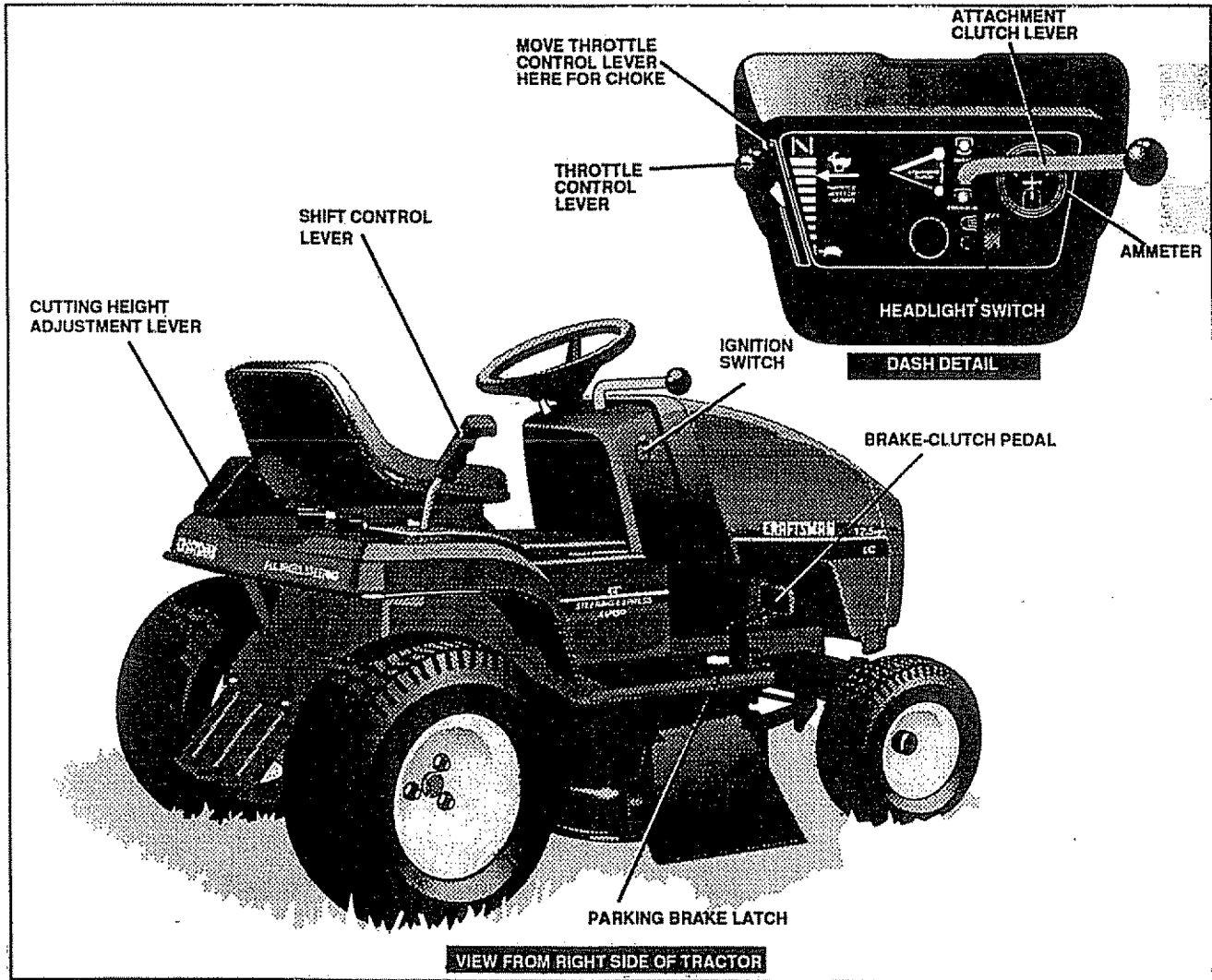


FIG. 7

SEARS LAWN TRACTORS conform to the safety standards of THE AMERICAN NATIONAL STANDARDS INSTITUTE

Ignition Switch - Used to start and stop engine.

Throttle Control Lever - Controls speed of engine and choke.

Headlight Switch - Turns headlights on or off.

Ammeter - Shows battery is being charged when engine is running.

Brake-Clutch Pedal - Used to clutch and brake tractor and start engine.

Shift Control Lever - Used to select ground speed ranges and direction of motion (forward-neutral-reverse).

Parking Brake Latch - Used to lock brake-clutch pedal down in park position.

Cutting Height Adjustment lever - Used to change height of cut.

Attachment Clutch Lever - Used to engage or disengage power to mower deck blades.

OPERATION



The operation of any tractor can result in foreign objects being thrown into the eyes, which can result in severe eye damage. Always wear safety glasses or eye shields while operating your tractor or performing any adjustments or repairs.

We recommend standard safety glasses, available at SEARS Retail or Catalog Stores, or a wide vision safety mask for over your glasses.

! WARNING !

TO AVOID SERIOUS INJURY OR DEATH

TO START:

1. DISENGAGE ATTACHMENT CLUTCH
2. FULLY DEPRESS BRAKE/CLUTCH PEDAL
3. SHIFT TO NEUTRAL
4. SET THROTTLE TO FULL (CHOKE IF NEEDED)
5. TURN IGNITION TO START

TO STOP:

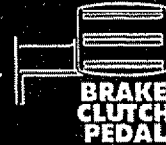
1. FULLY DEPRESS BRAKE/CLUTCH PEDAL
2. DISENGAGE ATTACHMENT CLUTCH
3. SHIFT TO NEUTRAL
4. ENGAGE PARKING BRAKE
5. TURN IGNITION TO OFF

TO SHIFT GEARS:

1. FULLY DEPRESS BRAKE/CLUTCH PEDAL
2. SHIFT TO DESIRED GEAR
3. RELEASE BRAKE/CLUTCH PEDAL SLOWLY

- READ OPERATORS MANUAL(S)
- KNOW LOCATION & FUNCTION OF ALL CONTROLS
- KEEP GUARDS, SAFETY SHIELDS AND SWITCHES IN PLACE AND WORKING PROPERLY
- REMOVE OBJECTS THAT CAN BE THROWN BY BLADE(S)
- DO NOT MOW WHEN CHILDREN OR OTHERS ARE AROUND
- NEVER CARRY CHILDREN OR PASSENGERS
- LOOK DOWN AND BEHIND BEFORE AND WHILE BACKING
- DO NOT MOW WHERE MOWER CAN TIP OR SLIP
- IF MACHINE STOPS GOING UP HILL, DISENGAGE BLADE(S) AND BACK DOWN SLOWLY
- REMOVE KEY WHEN LEAVING MACHINE
- AVOID SUDDEN TURNS
- GO UP AND DOWN SLOPES, NOT ACROSS

PARKING BRAKE LEVER →



ALWAYS SET PARKING BRAKE BEFORE LEAVING MACHINE!

TO SET PARKING BRAKE:

1. FULLY DEPRESS BRAKE/CLUTCH PEDAL
2. PUSH LEVER FORWARD AND HOLD
3. RELEASE BRAKE/CLUTCH PEDAL

TO RELEASE PARKING BRAKE:

1. FULLY DEPRESS BRAKE/CLUTCH PEDAL LEVER WILL RELEASE

HOW TO USE YOUR TRACTOR TO SET PARKING BRAKE

- Depress brake-clutch pedal fully (all the way down) and hold.
- Reach forward with hand and push parking brake latch forward to set parking brake.
- To release parking brake, apply pressure to brake-clutch pedal and spring will automatically release parking brake latch.

STOPPING

MOWER BLADES -

- Pull the attachment clutch lever rearward to the **DISENGAGED** position.



CAUTION: Blades will not stop immediately. Keep hands and feet from under mower deck and away from discharge chute.

TRACTOR -

- Depress brake-clutch pedal fully (all the way down).
- Place shift control lever in **NEUTRAL** position.
- Set parking brake before leaving tractor.

ENGINE -

- Move throttle control to **SLOW** position.
- Turn ignition key to **OFF** position and remove key. Always remove key when leaving vehicle to prevent unauthorized use.

NOTE: Under certain conditions when unit is standing idle with engine running, hot engine gases may cause "browning" of grass. To eliminate this possibility, always stop engine when stopping tractor on grass areas.

TO USE THROTTLE CONTROL

- **FAST** throttle position is necessary for best bagging and mowing performance.
- Operating engine at other than **FAST** position reduces battery charging rate and the engine cooling air flow.
- Choke is necessary whenever you are starting a cold engine. Do not use to start a warm engine
- To engage **CHOKE**, move throttle control lever past detent position (arrow points to this position). Move throttle control lever out of **CHOKE** position as engine warms.

OPERATION

TO MOVE BACKWARD AND FORWARD

The direction of motion (forward - reverse) and ground speed ranges (1-2-3-4-5) are controlled by shift control lever.

- Start tractor with brake-clutch pedal depressed and shift control lever in **NEUTRAL** position.
- Move shift control lever to reverse or forward speed range. **NOTE:** Always come to a full stop before changing direction of motion.
- Slowly release brake-clutch pedal to start movement.

TO SELECT MOWER CUTTING HEIGHT (SEE FIG. 7A)

The cutting height is selected by placing cutting height adjustment lever in the desired height position. The bottom position of lever is the lowest cutting height (1) and the top position is the highest cutting height (5). Other positions change height of cut approximately 1/2 inch each.

- Grasp lever with left hand and pull upward to raise mower deck. You will hear a click sound as lever passes to next height position.
- Grasp lever with left hand and pull upward slightly. Depress button on end of lever with thumb to release height adjustment lever latch and lower mower deck to desired height. Release latch button and allow lever to latch in place.

If cutting blades do not cut evenly, go to "TO ADJUST MOWER DECK HEIGHT" and "TO LEVEL MOWER DECK" instructions.

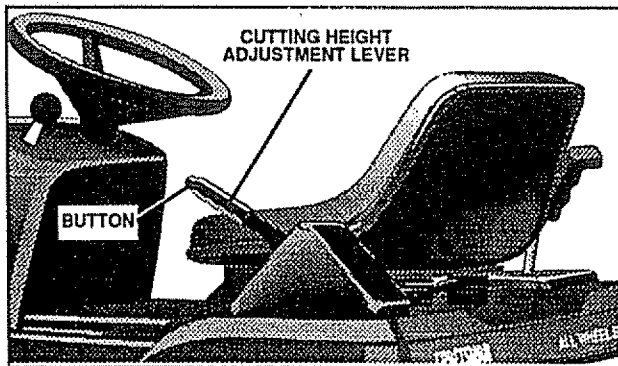


FIG. 7A

TO OPERATE MOWER

Your tractor is equipped with an operator presence sensing switch. Any attempt by the operator to leave the seat with engine running and attachment clutch lever engaged, will shut off engine.

- Select desired height of cut with cutting height adjustment lever.
- **TO START MOWER** - Slowly move attachment clutch lever to **ENGAGED** position.
- **TO STOP MOWER** - Move attachment clutch lever to **DISENGAGED** position.



CAUTION: Do not operate the mower without either discharge chute deflector, or entire grass catcher, on mowers so equipped, in place.

TO OPERATE ON HILLS



CAUTION: On slopes, be very cautious and avoid sharp turns to prevent tipping or loss of control. **NEVER** carry passengers.

- Choose slowest speed before starting up or down hills.
- Avoid stopping, starting or changing speed on hills.
- If slowing is necessary, move throttle control lever to slower position.
- If stopping is necessary, push brake-clutch pedal fully (all way down) and engage parking brake.
- Move shift control lever to **NEUTRAL** position.
- To restart movement, release parking brake and move shift control lever to 1st gear. Be sure you have allowed enough room for unit to roll slightly as you restart movement.
- Make all turns slowly.

TO TRANSPORT TRACTOR

- Place cutting height adjustment lever into highest cut position.
- When pushing or towing your unit, be sure shift control lever is in **NEUTRAL** position.
- Slowly release parking brake and brake-clutch pedal.
- Do not push or tow tractor at more than five (5) MPH.

OPERATION

BEFORE STARTING THE ENGINE

CHECK ENGINE OIL LEVEL

Read OPERATION and CUSTOMER RESPONSIBILITIES sections of this manual before trying to start the engine.

- Check to make sure engine crankcase is full of oil. Never run engine unless crankcase is full of oil and dipstick is tightened securely into oil tube.
- To change engine oil, see ENGINE LUBRICATION in CUSTOMER RESPONSIBILITIES section of this manual.

ADD GASOLINE

- Fill tank (see FIG. 8). Use fresh, clean, regular Unleaded gasoline. (Use of leaded gasoline will increase carbon and lead oxide deposits and reduce valve life).

IMPORTANT: WHEN OPERATING IN TEMPERATURES BELOW 32° F (0° C), USE FRESH, CLEAN WINTER GRADE GASOLINE TO HELP INSURE GOOD COLD WEATHER STARTING

WARNING: Experience indicates that alcohol blended fuels (called gasohol or using methanol) can attract moisture which leads to separation and formation of acids during storage. Acidic gas can damage the fuel system of an engine while in storage. To avoid engine problems, the fuel system should be emptied before storage of 30 days or longer. Drain fuel tank, start engine and let it run until fuel lines and carburetor are empty. Use fresh fuel next season. See Storage Instructions for additional information. Never use engine or carburetor cleaner products in the fuel tank or permanent damage may occur.

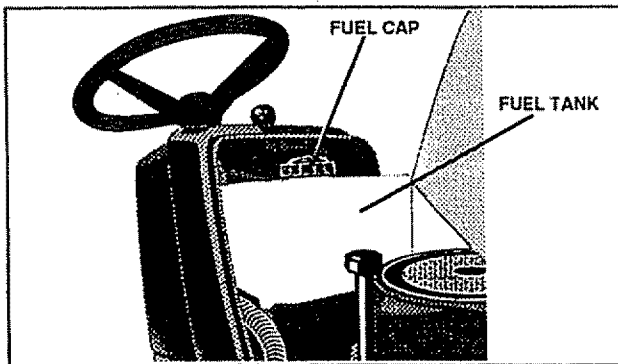


FIG. 8



CAUTION: Fill to bottom of gas tank filler neck. Do not over fill. Wipe off any spilled oil or fuel. Do not store, spill or use gasoline near an open flame.

TO START ENGINE

When starting engine for first time or if engine has run out of fuel, it will take extra cranking time to move fuel from tank to engine.

Your tractor has two lockout switches that connect solenoid to brake-clutch pedal and attachment clutch lever. When starting engine, brake-clutch pedal must be fully depressed and attachment clutch lever must be in **DISENGAGED** position to engage lockout switches.

Your tractor is equipped with an operator presence sensing switch. The engine will stop if operator is not firmly seated in operator's seat when attachment clutch lever is engaged. Leaning forward or to one side on the seat may cause the engine to stop.

- Depress brake-clutch pedal and set parking brake.
- Place the shift control lever in **NEUTRAL** position.
- Move attachment clutch lever to **DISENGAGED** position.
- To start a cold engine move throttle control past detent position for **CHOKE** position. For warm engine start, do not use **CHOKE** position.
- To start a warm engine move throttle control to midway between **FAST** and **SLOW** positions.
- Turn ignition key clockwise to **START** position and release key as soon as engine starts. Do not run starter continuously for more than 15 seconds per minute. If engine does not start after several attempts, move throttle to **FAST** position, wait a few minutes and try again.

ALL-WHEEL STEERING FEATURE

Because both front and rear wheels turn, an all-wheel steering tractor is very maneuverable. If the tractor becomes wedged against a wall, fence or other obstruction, do the following:

- Move shift control lever to No. 1 position.
- Turn steering wheel slightly away from obstruction. **NOTE:** If you turn steering wheel sharply, rear wheels will turn in opposite direction of front wheels (turning into obstruction you are trying to move away from).
- Move shift control lever to reverse position to back out of dead ends. Be sure tractor is completely stopped before shifting into reverse.



CAUTION: Look down and behind before and while backing.

OPERATION

MOWING TIPS

- Do not use tire chains when mower housing is attached to unit.
- Run the engine at **FAST** speed position.
- Control forward ground speed with shift control lever in accordance with type and quantity of grass being mowed. The more grass to be cut, a slower forward ground speed should be used. When cutting light grass, forward ground speed can be increased. By observing cutting action of your mower, you can determine the forward ground speed.
- Your mower may tend to leave unmowed strips when long and tender grass is being mowed. Tender grass has a high internal moisture content and is easily depressed by lawn tractor wheels, and may not always spring back in time to be cut. To overcome this condition, we advise mowing lawn in a counterclockwise direction, overlapping previous cut, which allows lifting action of rotating blades to lift grass into cutting path.
- When mowing large areas (without mulching plug installed), start in a clockwise direction so clippings will be discharged away from shrubs, fences, driveways, etc. After one or two rounds, mow in counterclockwise direction until finished (see FIG 9).
- Be sure your mower is adjusted properly, front-to-rear and side-to-side, (see To Level Mower Deck in Service and Adjustments section).
- Only cut grass that is dry.
- Mow grass often. Short grass clippings will decay fast.
- Keep blades sharp. Sharp blades will cut better.
- Your tractor is very maneuverable and can be reversed to back out of dead ends.



CAUTION: Look down and behind before and while backing. Disengage mower blades before backing up.

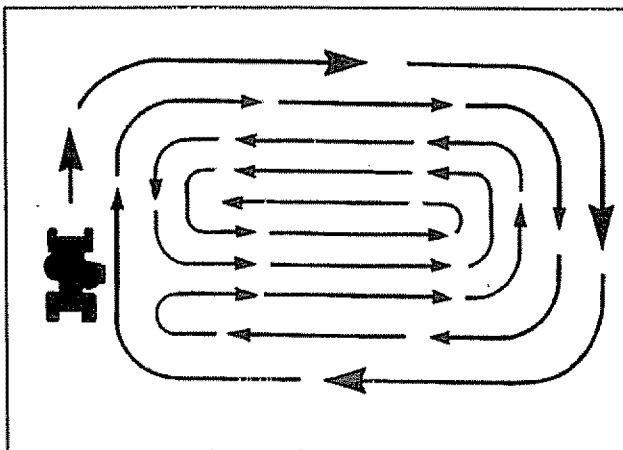


FIG. 9

MULCHING MOWING TIPS

To mulch grass with a mulching mower, you will need to do several things differently than with a conventional mower.

You must change your mowing habits in order to maximize effectiveness of your mulching mower. This could mean slowing down the pace that you currently use to mow your lawn to allow the mulcher extra time to cut and recut the clippings into a fine mulch. The volume of grass that is under the deck of a mulcher is greater at any time than it is with a conventional lawn mower.

WHEN MULCHING LAWN FOR THE FIRST TIME-

- Set cutting height at highest setting and mow in one direction.
- Upon completion of first mowing, lower the cutting height to middle setting and mow a second time at 90° to first cut or in a criss-cross pattern. You can also recut in same direction by overlapping the center of the mower over the wheel tracks of the first cut.

RETRAINING LAWN TO BE CUT WITH MULCHING MOWER-

- Mow your lawn frequently.
- For a mulching mower to perform best, we recommend that you remove about 1" to 1-1/2" of grass with each cut. If your grass is very thick or lush, you may want to remove as little as 1/2" on final cut to produce the best possible result. This could mean that you must mow your lawn every 3-5 days under certain growing conditions.
- If the height of the grass should get out of control, we recommend that you follow instructions for first time mulching to bring lawn back to a manageable height. The optimum grass height is dependent on grass type and immediate local growing conditions. Consult your local agricultural extension office for this information.
- Keep your engine running at full speed (throttle at fast). If you slow down the engine running speed you will slow blade speed as well, which will impair the ability of the mower to cut grass properly.
- After mowing your lawn, check under the mower deck to be sure it is clean and free of grass buildup. Do not allow the grass to build up because it will impair ability of mower to cut properly.
- Keep the blades sharp. They need to be kept sharp and free from nicks to keep from damaging the grass tips while cutting grass quickly and efficiently.
- Keep your lawn watered, fertilized frequently, and free of debris.
- Mulching mower will not perform properly in wet grass. Cut only when it is dry.

NOTE: To convert from mulching to conventional lawn mowing see TO REMOVE MULCHING PLUG in CUSTOMER RESPONSIBILITIES section of this manual.

CUSTOMER RESPONSIBILITIES

GENERAL RECOMMENDATIONS

The warranty on this tractor does not cover items that have been subjected to operator abuse or negligence. To receive full value from warranty, operator must maintain lawn tractor as instructed in this manual.

Some adjustments will need to be made periodically to properly maintain your unit.

All adjustments in the SERVICE AND ADJUSTMENTS section of this manual should be checked at least once each season.

- A new spark plug and clean air cleaner assure proper air-fuel mixture and help your engine run better and last longer.

BEFORE EACH USE

- Check engine oil level.
- Check brake operation.
- Check tire pressure.
- Check for loose fasteners.

CUSTOMER RESPONSIBILITIES SCHEDULE FILL IN SERVICE DATES AS YOU COMPLETE REGULAR SERVICE		BEFORE EACH USE AFTER FIRST 5 HOURS EVERY 8 HOURS EVERY 25 HOURS EVERY 50 HOURS EVERY 100 HOURS BEGINNING EACH SEASON BEFORE STORAGE						SERVICE DATES							
T R A C T O R	Check Brake Operation	✓	✓												
	Check Tire Pressure	✓	✓												
	Check for Loose Fasteners	✓													✓
	Sharpen or Replace Mower Blades					✓ ₃									
	Lubrication Chart					✓									✓
	Check Battery Level/Recharge					✓									
	Clean Battery and Terminals					✓									✓
	Check Transmission Cooling					✓									
	Adjust Blade Belt(s) Tension										✓				
	Adjust Motion Drive Belt(s) Tension										✓				
E N G I N E	Check Engine Oil Level	✓		✓											
	Change Engine Oil		✓			✓ _{1,2}									✓
	Clean Air Cleaner (foam filter)					✓ ₂									
	Clean Air Intake Screen					✓ ₂									
	Inspect Muffler/Spark Arrester									✓					
	Replace Oil Filter (if equipped)										✓ _{1,2}				
	Clean Engine Cooling Fins										✓ ₂				
	Replace Spark Plug										✓	✓			
	Replace Air Cleaner Paper Cartridge										✓ ₂				
	Replace Fuel Filter														✓

(1) Change more often when operating under a heavy load or in high ambient temperatures.

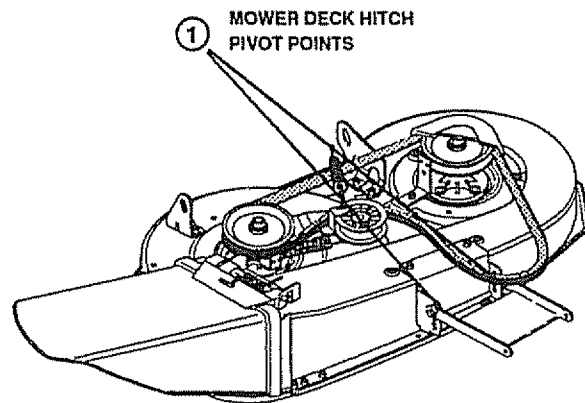
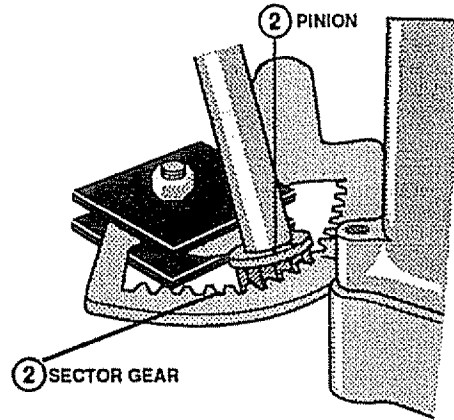
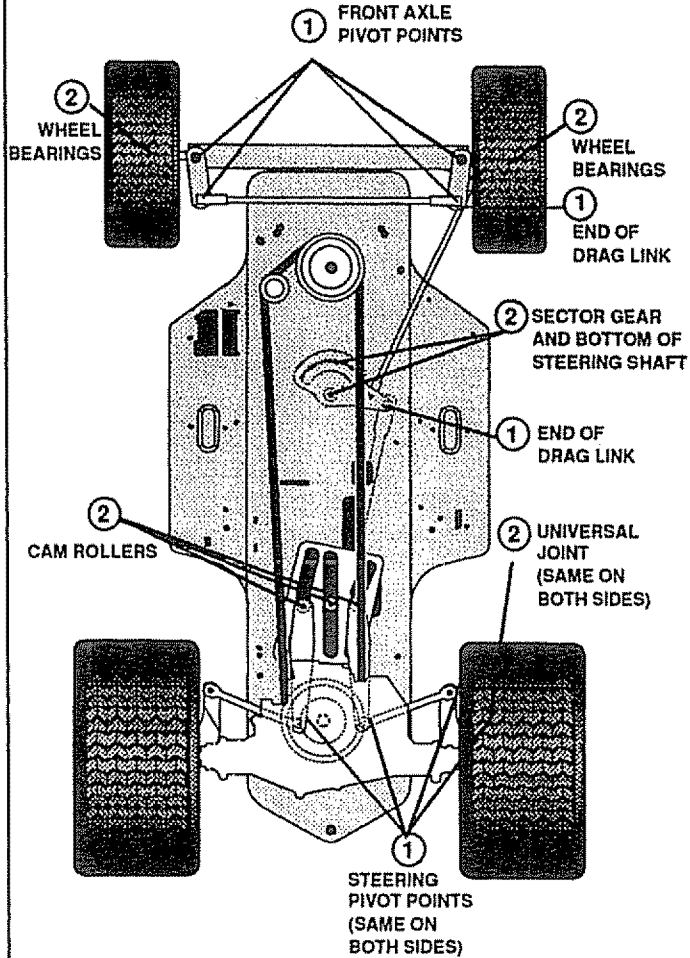
(2) Service more often when operating in dirty or dusty conditions.

(3) - Replace blades more often when mowing in sandy soil.

CUSTOMER RESPONSIBILITIES

LUBRICATION CHART

Orientation view only. Do Not stand on end.



- ① SAE 30 OR 10W30 MOTOR OIL API - SG
- ② GENERAL PURPOSE GREASE

CUSTOMER RESPONSIBILITIES

TRACTOR

Always observe safety rules when performing any maintenance.

BRAKE OPERATION

Your tractor is equipped with an adjustable disc brake. To check brake operation do the following:

- Stop tractor on a level surface and place shift control lever in **NEUTRAL** position.
- Depress brake-clutch pedal enough to latch parking brake in 1st notch.
- Try to push tractor. If you are unable to push tractor, brake is too tight and should be loosened (see **TO ADJUST TRACTOR BRAKE** in **SERVICE AND ADJUSTMENTS** section of this manual).
- Depress brake-clutch pedal enough to latch parking brake in 3rd notch.
- Try to push tractor. If you are able to push tractor, brake is too loose and should be tightened (see **TO ADJUST TRACTOR BRAKE** in **SERVICE AND ADJUSTMENTS** section of this manual).

During tractor operation, check for stopping distance. If tractor requires more than six (6) feet stopping distance at high speed in highest gear, the brake must be adjusted (see to **ADJUST TRACTOR BRAKE** in **SERVICE AND ADJUSTMENTS** section of this manual).

TIRES

- Maintain proper air pressure in all tires. (See "PRODUCT SPECIFICATIONS" on page 3 of this manual).
- Keep tires free of gasoline, oil, or insect control chemicals which can harm rubber.
- Avoid stumps, stones, deep ruts, sharp objects and other hazards that may cause tire damage.



CAUTION: BEFORE PERFORMING ANY SERVICE OR ADJUSTMENTS

- Fully depress brake-clutch pedal and set parking brake.
- Place shift control lever in **NEUTRAL** position.
- Place attachment clutch lever in **DISENGAGED** position.
- Turn ignition key **OFF** and remove key.
- Make sure the blades and all moving parts have completely stopped.
- **DO NOT** handle blades with bare hands. Wear gloves or wrap blade with newspaper or other material while removing or installing blade.

BLADE CARE

For best results mower blades must be kept sharp. The blades can be sharpened with a file or on a grinding wheel. We suggest they be sharpened or replaced after every 25 hours or mowing. Check blades more often if mowing in sandy conditions.

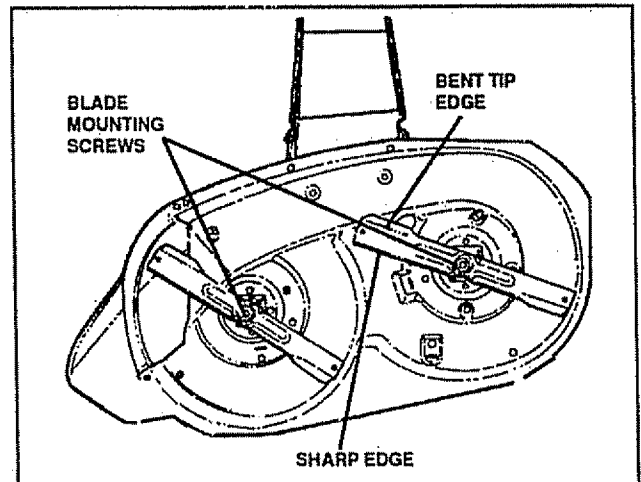


FIG. 10

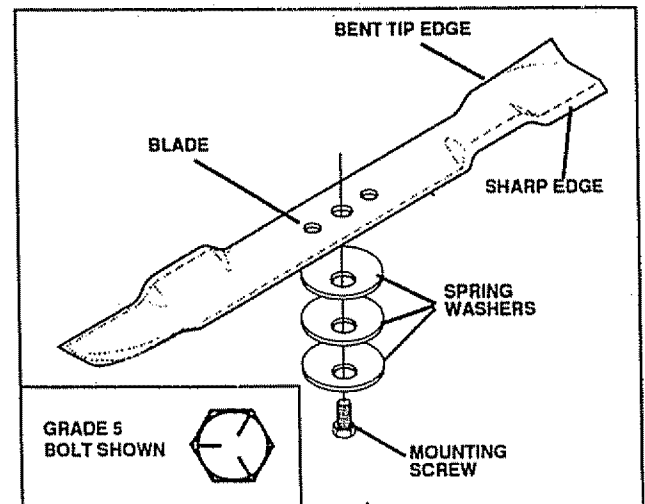


FIG. 11

- Do not attempt to sharpen blades while they are on mower.
- Replace bent or damaged blades.

BLADE REMOVAL (See FIGS. 10 and 11)

- Remove mower deck (see **TO REMOVE MOWER DECK** in this section).
- Remove blade mounting hardware securing blade.
- Install new blade with bent tip edges up. Blade will not cut if bent tip edges are not up toward top of mower deck.
- Secure blade to mower deck with mounting hardware removed earlier. Be sure all parts are re-assembled in proper order as shown.
- Tighten blade mounting bolts securely. We recommend using a 10 inch wrench or torque wrench. If a torque wrench is used, torque bolts to between 30 -35 ft lbs).

IMPORTANT: Blade mounting bolts are Grade 5 heat treated as shown in FIG. 11 inset.

CUSTOMER RESPONSIBILITIES

TO SHARPEN BLADE (See FIG. 12A)

Care should be taken to keep blade balanced. An unbalanced blade will cause excessive vibration and eventual damage to mower and engine.

- Blade can be sharpened with a file or on a grinding wheel. Do not attempt to sharpen while on mower.
- Place center hole of blade over head of the nail or end of a screwdriver clamped horizontally in a vice. If blade is balanced, it should remain in a horizontal position. If either end of the blade moves downward, sharpen heavy end until the blade is balanced.

TO REMOVE MULCHING PLUG (See FIG. 12B)

Your tractor has a mulching kit installed on the mower deck. To convert from mulching to regular lawnmowing, the mulching plug may be removed as follows:

- Raise chute deflector.
- Remove the two 5/16-18 wingnuts, two external lockwashers, and two spacers from atop of mulching plug installed inside mower deck chute.
- The two 5/16-18 x 1 inch carriage bolts will drop and can be easily removed from underneath the mulching plug and toe guard.
- Remove mulching plug from mower chute. DO NOT remove toe guard. Your tractor is now ready to be used as a conventional mower.
- Store mulching plug and hardware for safekeeping. To reinstall, reverse order of removal.
- Lower Chute deflector.

BATTERY (See FIG. 13)

Your tractor has a battery charging system which is sufficient for normal use. However, periodic charging of battery with an automotive charger will extend its life.

- The acid level in each battery should be even with bottoms of vent wells. Add only distilled or iron free water if necessary. Do not over fill.
- Keep battery and terminals clean.
- Keep battery bolts tight.
- Keep vent caps and small vent holes in caps open.
- Recharge at 6 amps for 1 hour.

TO CLEAN BATTERY AND TERMINALS -

Corrosion and dirt on battery and terminals can cause slow battery power drain.

- Remove terminal guard (if so equipped).
- Disconnect BLACK battery cable first then RED battery cable and remove battery from tractor (see TO REMOVE BATTERY in ASSEMBLY section of this manual).
- Wash battery with solution of four tablespoons of baking soda to one gallon of water. Be careful not to get soda solution into cells.
- Rinse battery with plain water and dry.
- Clean terminals and battery cable ends with wire brush until bright.
- Coat terminals with grease or petroleum jelly.

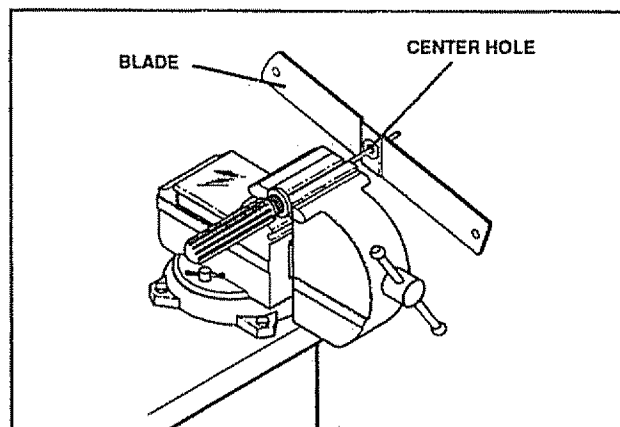


FIG. 12A

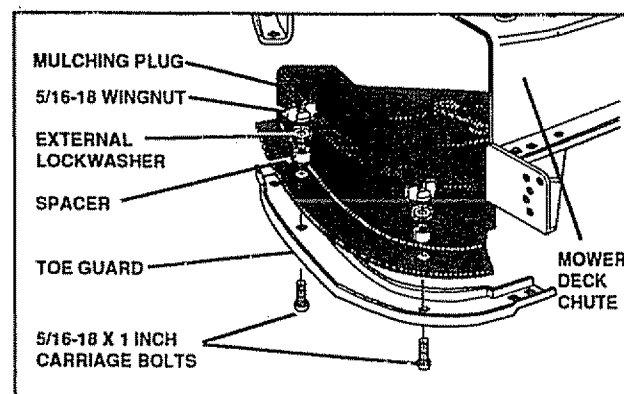


FIG. 12B

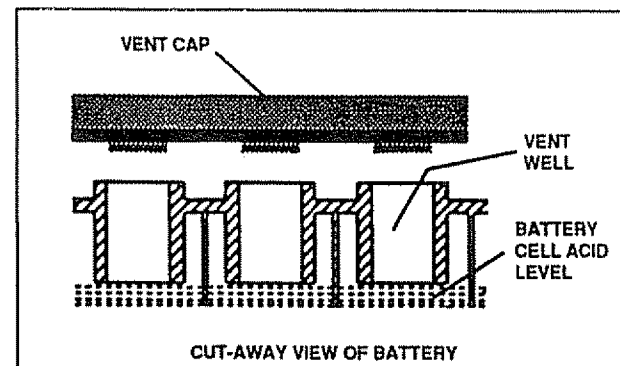


FIG. 13

- Reinstall battery (see TO INSTALL BATTERY in ASSEMBLY section of this manual).

V-BELTS

Check V-belts for deterioration and wear after 100 hours and replace if required. The mower blade drive belt and tractor drive belts can be adjusted to provide longer belt life (see TO ADJUST BLADE DRIVE BELT or TO ADJUST TRACTOR DRIVE BELT in SERVICE AND ADJUSTMENTS section of this manual).

TRANSAXLE COOLING

Keep transaxle free from build-up of dirt and chaff which can restrict cooling.

CUSTOMER RESPONSIBILITIES

ENGINE

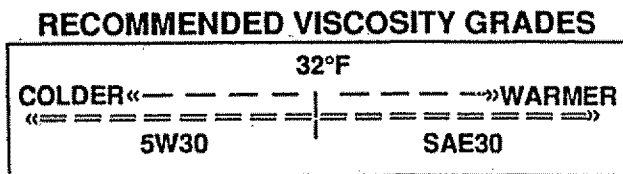
LUBRICATION

Read ENGINE instructions in this section and OPERATION section of this manual before trying to start engine.

NOTE: Be sure oil has been added to engine crankcase before trying to start engine.

OIL RECOMMENDATIONS

Only use high quality detergent oil rated with API service classification SG. Select the oil's SAE viscosity grade according to your expected operating temperature:



NOTE: Although multi-viscosity oils (5W30, 10W30, etc.) improve starting in cold weather, these multi-viscosity oils will result in increased oil consumption when used above 32°F. Check your engine oil level more frequently to avoid possible engine damage from running low on oil.

TO CHANGE ENGINE OIL (See FIG. 14)

Raise and lower hood slowly to avoid personal injury or damage to tractor.

- Be sure tractor is parked on a level surface.
- Oil will drain more freely when warm.
- Clean area around oil fill drain and cap before removing dipstick.
- Catch oil in a suitable container.
- Remove oil fill cap/dipstick. Be careful not to allow dirt to enter the engine when changing oil.
- Remove oil drain plug.
- After oil has drained completely, replace oil drain plug and tighten securely.
- Refill engine crankcase with oil through oil fill tube. Pour slowly. Do not over fill. For approximate capacity see PRODUCT SPECIFICATIONS on page 3 of this manual.
- Use gauge on oil fill cap/dipstick for checking level. Be sure oil fill cap is tightened securely for accurate reading. Keep oil at FULL line on dipstick.

COOLING SYSTEM (See FIG. 15)

Frequently remove grass clippings, dirt and debris from cooling fins, air intake screen, levers and linkage. This will help ensure adequate cooling and correct engine speed.

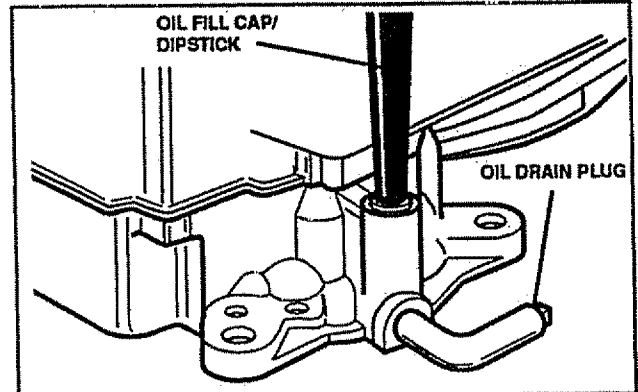


FIG. 14

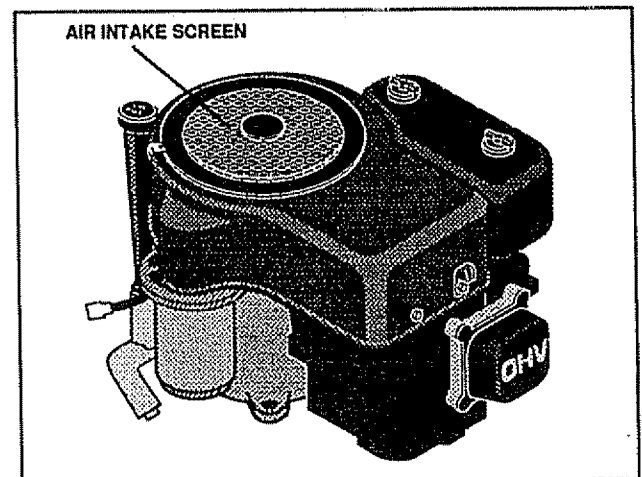


FIG. 15

CUSTOMER RESPONSIBILITIES

AIR CLEANER (See FIG. 16)

Your engine will not run properly and may be damaged by using a dirty air filter. Clean foam filter after every 25 hours of operation or every season. Service paper cartridge every 100 hours or every season, whichever occurs first. Service air cleaner more often under dusty conditions.

TO SERVICE FOAM FILTER -

- Remove wing nuts and air cleaner cover.
- Slide foam filter off paper cartridge.
- Wash in water and detergent solution and squeeze (DO NOT twist) until all dirt is removed.
- Squeeze foam filter dry in a clean cloth until completely dry.
- Saturate foam in engine oil. Wrap in clean, absorbent cloth and squeeze to remove excess oil.
- Slide foam filter over cartridge.
- Replace air cleaner cover and wing nuts.

TO SERVICE PAPER CARTRIDGE -

- Remove wing nuts and air cleaner cover.
- Slide foam filter off paper cartridge.

REPLACE PAPER CARTRIDGE. DO NOT ATTEMPT TO CLEAN OR OIL FILTER. REPLACEMENT FILTERS ARE AVAILABLE AT THE NEAREST SEARS SERVICE CENTER.

- Remove nuts and paper filter. Discard nuts and paper filter.
- Clean inside air cleaner cover and body.
- Install new paper cartridge and nuts.
- Slide cleaned foam filter over paper cartridge.
- Replace air cleaner cover and wing nuts.

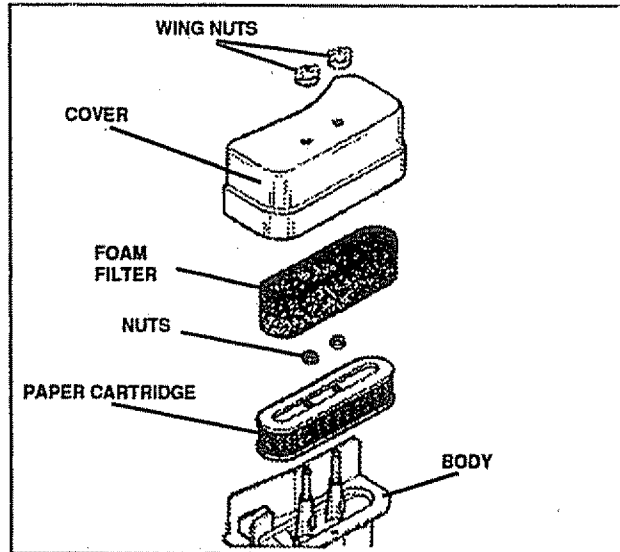


FIG. 16

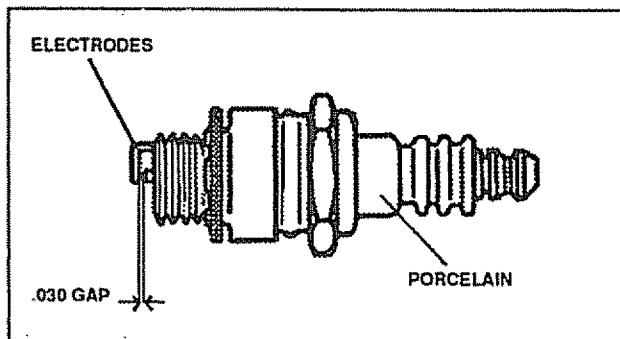


FIG. 17

MUFFLER

Inspect and replace corroded muffler and spark arrester (if so equipped) as it could create a fire hazard and/or damage.

SPARK PLUG (See FIG. 17)

Replace spark plug at the beginning of each mowing season or after every 100 hours of use, whichever comes first. Spark plug type and gap setting is shown in PRODUCT SPECIFICATIONS on page 3 of this manual.

CUSTOMER RESPONSIBILITIES

IN-LINE FUEL FILTER (See FIG. 17A)

Fuel filter should be replaced once each season. If fuel filter becomes clogged, obstructing fuel flow to carburetor, replacement is required. Make sure new filter is installed with the IN marking toward the tank and the OUT marking toward the engine. Check fuel system components frequently and replace any parts showing wear or cracks.

- With engine cool, remove filter and plug fuel line sections.
- Place new fuel filter in position in fuel line with arrow pointing towards carburetor.
- Be sure there are no fuel line leaks and clamps are properly positioned.
- Immediately wipe up any spilled gasoline.

CLEANING

- Clean engine, battery, seat, transaxle, finish, etc. of all foreign matter.
- Keep finished surfaces and wheels free of all gasoline, oil, etc.
- Protect painted surfaces with automotive type wax.

We do not recommend using a garden hose to clean your tractor unless electrical system, muffler, air filter and carburetor are covered to keep water out. Water in engine can shorten engine life.

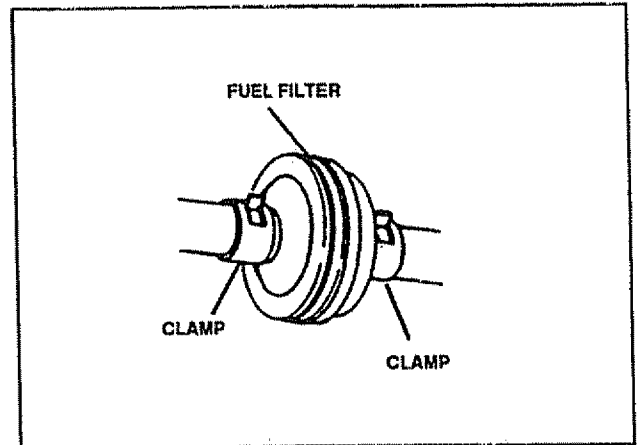


Fig. 17A

SERVICE AND ADJUSTMENTS



CAUTION: BEFORE PERFORMING ANY SERVICE OR ADJUSTMENTS

- Depress brake-clutch pedal and set parking brake.
- Place shift control lever in NEUTRAL position.
- Place attachment clutch lever in DISENGAGED position.
- Turn ignition key OFF and remove key.
- Make sure the blades and all moving parts have completely stopped.

TRACTOR TO REMOVE MOWER DECK

Remove mower deck from right side of tractor.

- Place cutting height adjustment lever in lowest cutting position.
- Remove hairpin cotter from mower deck hitch and remove deck hitch rod from front hole of the front mounting bracket (see FIG. 18).
- Lower deck hitch.
- Turn front wheels all the way to the left to allow mower deck hitch to slide past right front wheel.
- Remove hairpin cotter and flatwasher from hanger pin of right rear lift arm and slide off right mower deck lift bracket (see FIG. 19).
- Remove hairpin cotter and flatwasher from hanger pin of left rear lift arm and slide off left mower deck lift bracket (see FIG. 19).
- Flex lower engine pulley belt guide away from pulley (see FIG. 20).
- Move mower deck forward and remove mower deck drive belt from lower engine pulley. Reposition belt guide.
- Remove hairpin cotter and flatwasher from hanger pin on mower clutch lever belcrank strap assembly.
- Disconnect mower deck engagement spring from belcrank strap assembly (see FIG. 21).
- Place cutting height adjustment lever in highest cutting position.
- Slide mower deck out from under right side of tractor.

TO INSTALL MOWER DECK

- Place cutting height adjustment lever in highest cutting position. If cutting height is not in highest position, the deck brackets will hit the lift arms while sliding the deck under the tractor.
- Place mower deck on right side of tractor with chute deflector away from tractor.
- Turn front wheels of tractor to maximum left turn.
- Lift deck hitch and slide deck under tractor to a centered position.
- From left side of tractor, slide deck rearward. Then connect mower deck engagement spring to hanger pin on the mower clutch lever belcrank strap assembly, and reinstall flatwasher and hairpin cotter on hanger pin (see FIG. 21).

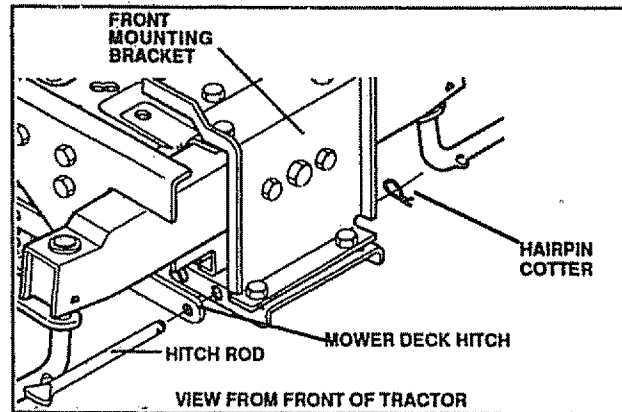


FIG. 18

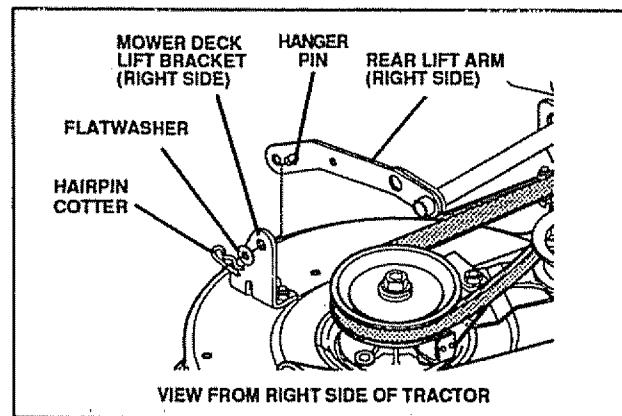


FIG. 19

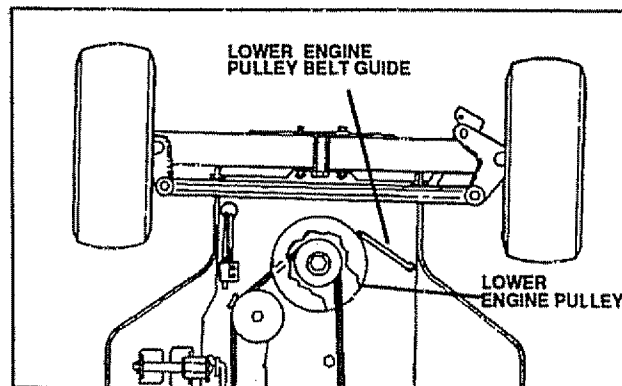


FIG. 20

SERVICE AND ADJUSTMENTS

- Slide deck toward front of tractor. Pull lower engine pulley belt guide away from engine and slip mower deck drive belt onto lower engine pulley. Reposition belt guide to 1/16" from pulley.
- Align holes in the mower deck hitch with the front set of holes in the front mounting bracket and reinstall the hitch rod and hairpin cotter.
- Place cutting height adjustment lever in lowest position. **NOTE:** Be sure left and right lift arms are to the inside of left and right deck lift brackets (see FIG. 19).
- Lift deck slightly and flex left rear hanger pin inward to snap hanger pin into left deck lift bracket hole. Secure hanger pin in place with flatwasher and hairpin cotter removed earlier.
- Lift deck slightly and flex right rear hanger pin inward to snap hanger pin into right deck lift bracket slot. Secure hanger pin in place with flatwasher and hairpin cotter removed earlier (see FIG. 19).
- Check mower deck leveling and adjustment as required. See **TO LEVEL MOWER DECK** in this section of the manual.

TO LEVEL MOWER DECK

Adjust mower deck while tractor is parked on level ground or driveway. Make sure tires are properly inflated (see **PRODUCT SPECIFICATIONS** on page 3 of this manual). If tires are over or under inflated, you will not properly adjust your mower deck.

The tractor main frame should be level across front from left side to right side. If main frame will not sit level, two outside axle mounting screws may be too tight. The outside mounting screws must be loose enough to allow front axle to pivot. **NOTE: Do Not loosen center mounting screw.**

- Check and adjust height of mower deck (see **TO ADJUST MOWER DECK HEIGHT** in this section).
- Place mower deck cutting height adjustment lever in mid-cut position for all adjustments.

SIDE-TO-SIDE ADJUSTMENT (See FIG. 22)

- Measure height, from level surface, of left and right blade tips at outside edge of mower deck. If blades are equal or not more than 1/8 inch difference, no side-to-side adjustment is necessary.
- If adjustment is necessary, loosen right side eccentric mounting screw and turn eccentric clockwise or counterclockwise as required to level mower deck. **NOTE:** When groove on eccentric is pointing down, right side of mower deck is at its lowest position. When groove is pointing up, right side of mower deck is at its highest position.
- Hold eccentric with a wrench while tightening eccentric mounting screws securely.

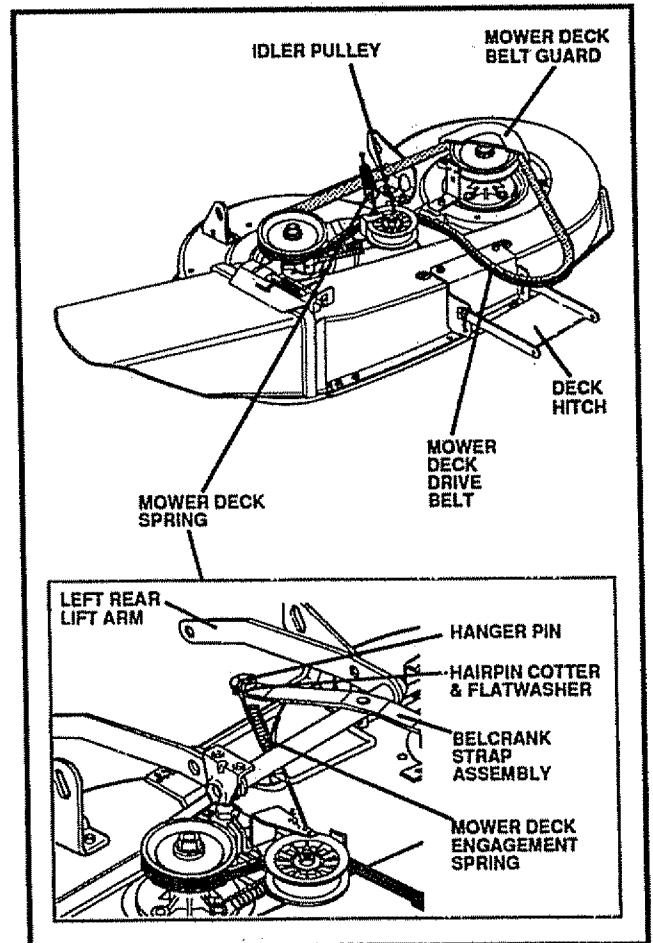


FIG. 21

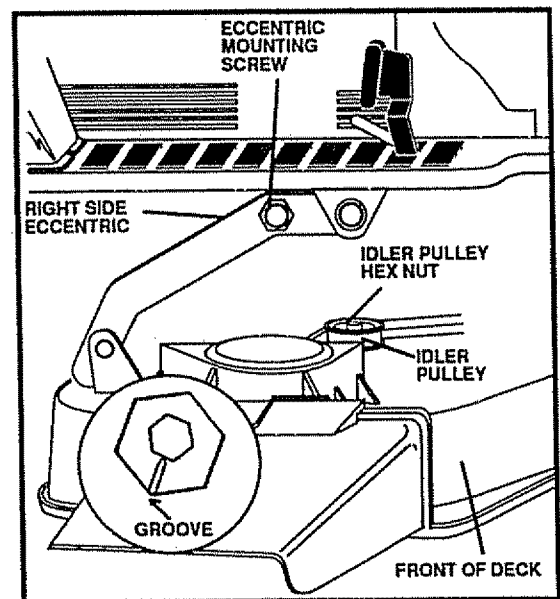


FIG. 22

SERVICE AND ADJUSTMENTS

FRONT-TO-REAR ADJUSTMENT (See FIG. 23)

- Measure height, from level surface, of right side blade tips at front and rear of mower deck. If distances are equal or not more than 1/8 inch lower in front, no adjustment is necessary.
- If adjustment is necessary, loosen front eccentric mounting screws and turn front adjustment eccentric clockwise or counterclockwise as required. **NOTE:** When groove on eccentric is pointed straight forward, front of mower deck is at lowest point. Turn both eccentrics so grooves are pointing same direction (up or down).

If more adjustment is necessary, front of mower deck may be raised or lowered by relocating eccentric mounting screws in higher or lower position on mower deck mounting bracket.

- Hold eccentric with a wrench while tightening eccentric mounting screws securely.

TO ADJUST MOWER DECK HEIGHT (See FIG. 24)

Before making any mower deck height adjustments check air pressure in all four tires. All tires must be properly inflated for mower deck height to be properly adjusted. For recommended air pressure, see "Product Specifications" on page 3. The main frame on the lawn tractor should be level across the front from left side to right side. If main frame will not sit level, the two outside axle mounting screws may be too tight. The two outside mounting screws must be loose enough to allow front axle to pivot. **NOTE: Do Not loosen center mounting screw.**

- Park tractor on firm level surface, such as a driveway or garage floor.
- Place mower deck cutting height adjustment lever in high cut position.

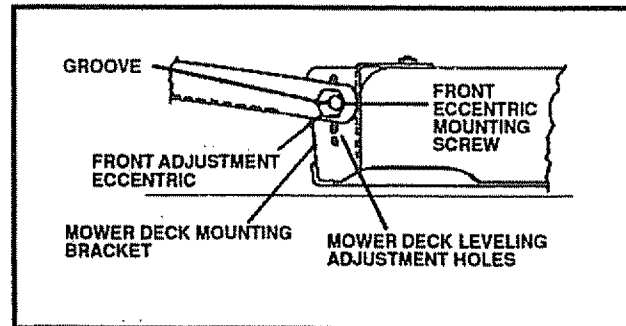


FIG. 23

- Measure height of mower deck from bottom of the left hand blade mounting screw to ground. Height should be 4 inches with mower deck set in high cut.
- If adjustment is necessary, block up mower deck with a 2 x 4 and set cutting height adjustment lever to low cut position.
- Loosen hairpin cotter (see inset) from clevis pin. Remove clevis pin.
- Loosen 1/4-20 hex nut on cable above clevis. Turn clevis clockwise to raise mower deck. Turn counterclockwise to lower deck. Each 1-1/2 complete turn of clevis represents approximately 1/8 inch change in the height of mower deck.
- Tighten 1/4-20 hex nut on cable above clevis.
- Reinstall clevis and clevis pin. Return cutting height adjustment lever to high cut position and remove wood block from under deck.
- Recheck height of mower deck. Height should be 4 inches with mower deck set in high cut. Readjust if necessary.

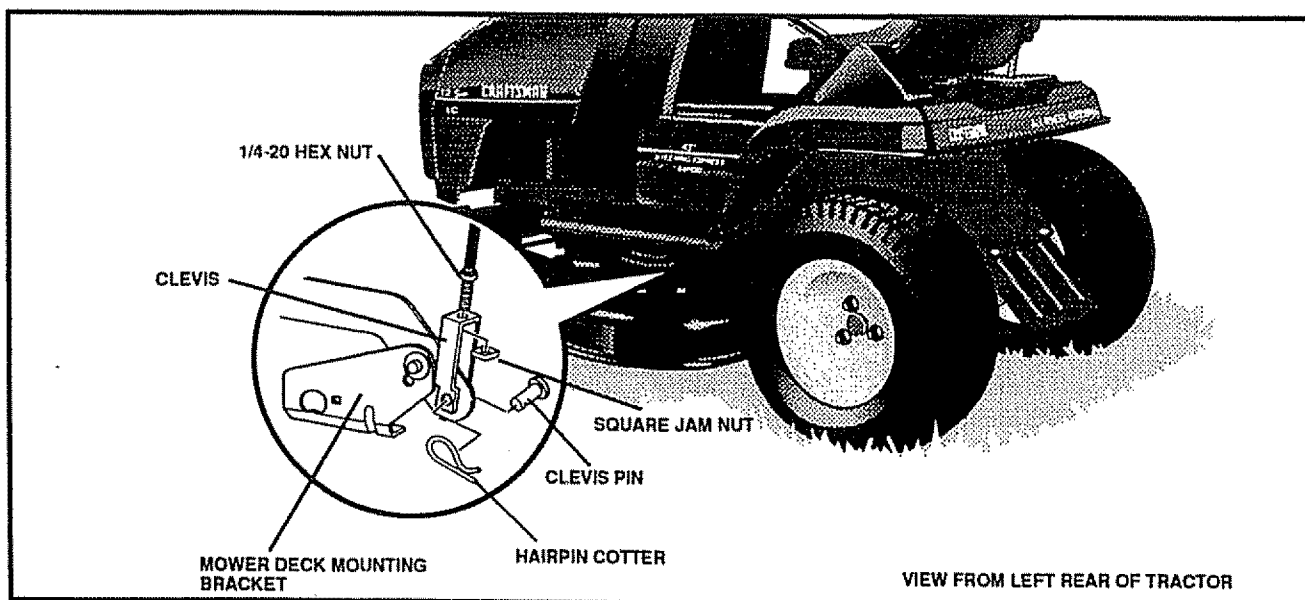


FIG. 24

SERVICE AND ADJUSTMENTS

TO ADJUST BLADE DRIVE BELT (See FIG. 25)

When mower blade drive belt slips and blades will not turn at full speed when mowing, the blade drive belt should be tightened.

- Place attachment clutch lever in **DISENGAGED** position.
- Loosen idler pulley hex nut.
- Note position of belt retainer on idler pulley so it can be repositioned properly after belt installation. Loosen idler pulley.
- Slide idler pulley toward rear of mower deck to tighten belt. **NOTE:** Only a small amount of movement should be required.
- Re-tighten hex nut on idler pulley.
- To check adjustment:
 - a. Start engine and place throttle control lever in position **FAST**.
 - b. Place attachment clutch lever in **ENGAGED** position and allow sufficient time for blades to run to full speed, then place attachment clutch lever in **DISENGAGED** position. Blades should stop within a few seconds and remain stopped. If blades do not stop or tend to creep, adjustment is too tight.
- To loosen blade drive belt, loosen idler pulley and move toward front of mower deck.

BLADE BRAKE ADJUSTMENT (See FIG. 25)

Blade brakes should stop mower blades when attachment clutch lever is in **DISENGAGED** position. Blade brake pads should not come in contact with quill assemblies when attachment clutch lever is in **ENGAGED** position.

- Place cutting height adjustment lever in lowest cut position.

TO CHECK RIGHT HAND BRAKE -

- Move attachment clutch lever backward to **DISENGAGED** position.
- Begin to move attachment clutch lever forward toward **ENGAGED** position and check distance lever moves before brake pad, on right hand quill assembly, begins to move.
- Attachment clutch lever should move at least 3/4 inch, but not more than 1 inch, before brake pad begins to move.
- If the distance is not between 3/4 and 1 inch, (see TO ADJUST RIGHT HAND BRAKE below).

TO ADJUST RIGHT HAND BRAKE -

- Note which one of five holes on front of idler arm extension is used for attaching mower clutch spring (see FIG. 25, inset B).
- If distance is more than 1 inch, move mower clutch cable spring to a hole toward bolts holding idler arm extension.
- If distance is less than 3/4 inch, move mower clutch spring to a hole toward free end of idler arm extension.
- Re-check right hand brake and adjust if required.

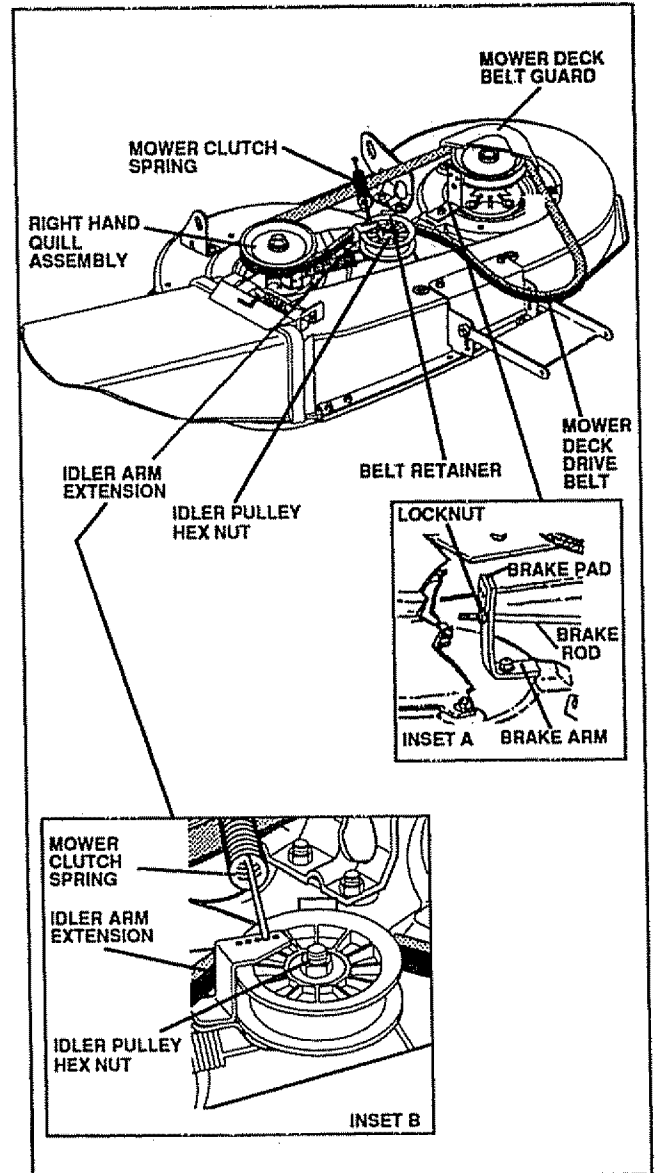


FIG. 25

TO CHECK LEFT HAND BRAKE -

- Place attachment clutch lever in **DISENGAGED** position.
- Locknut, on end of brake rod, should be approximately 1/8 inch from brake pad mounting bracket with left hand brake pad against pulley of left hand quill assembly (See FIG. 25, inset A).

NOTE: Brake pad must clear left hand quill assembly when attachment clutch lever is in **ENGAGED** position. Tighten locknut on end of brake rod if needed.

TO ADJUST LEFT HAND BRAKE -

- Adjust locknut if necessary.

SERVICE AND ADJUSTMENTS

TO REPLACE MOWER BLADE DRIVE BELT (See FIG. 26)

- Remove mower deck (see TO REMOVE MOWER DECK in this section).
- Remove mower deck belt guard.
- Note position of belt retainer on idler pulley so it can be repositioned properly after belt installation. Loosen idler pulley.
- Remove old belt and replace with a new original equipment belt.
- Reinstall belt guard.
- Reposition belt retainer and re-tighten idler pulley.
- Reinstall mower deck assembly.
- Adjust belt (see TO ADJUST TRACTOR DRIVE BELT below).

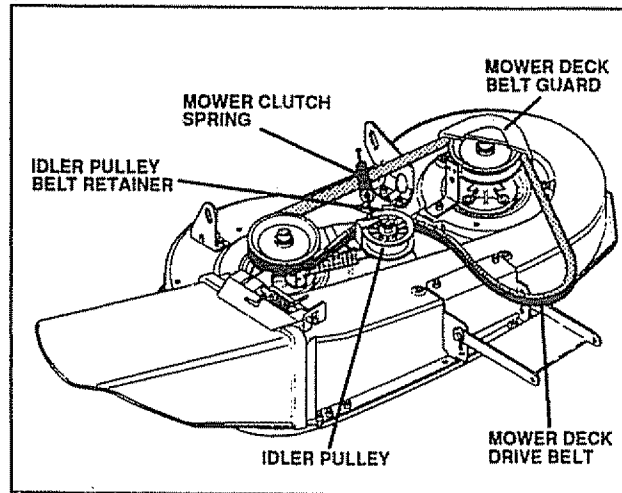


FIG. 26

TO ADJUST TRACTOR DRIVE BELT (See FIGS. 27A and 27B)

The drive belt is kept tight by a spring attached to the brake-clutch pedal assembly. When the drive belt is properly adjusted, the brake-clutch pedal should appear as shown in fully released position.

- The brake-clutch pedal should appear as shown when in the fully released position. If not, then the following adjustment is necessary.
- Depress the brake-clutch pedal enough to latch the parking brake in the 3rd notch.
- Loosen clutching idler pulley mounting screw.
- If brake-clutch pedal was too far forward, slide idler pulley in toward engine pulley. If pedal was too far rearward, slide idler pulley away from engine pulley.
- Re-tighten idler pulley mounting screw. **NOTE:** Belt retainer should point toward position where running board meets main frame.
- Release brake-clutch pedal and re-check pedal for proper position and readjust if necessary.
- Check tractor brake adjustment (see TO ADJUST TRACTOR BRAKE in this section).

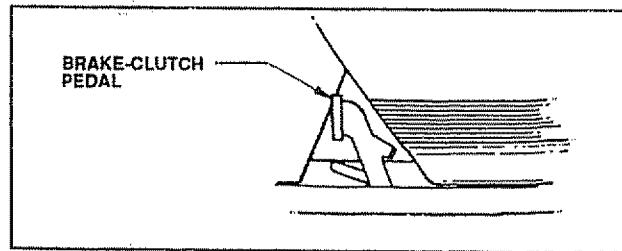


FIG. 27A

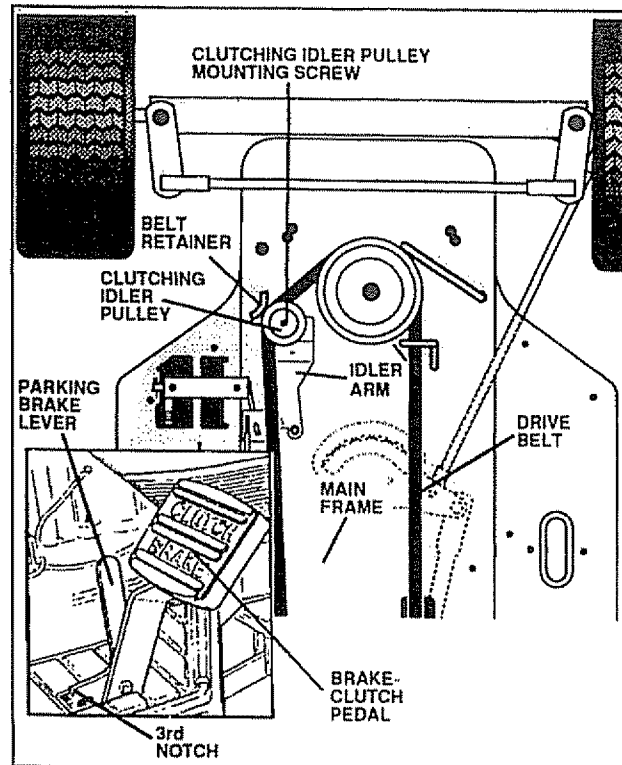


FIG. 27B

SERVICE AND ADJUSTMENTS

TO REPLACE TRACTOR DRIVE BELT (See FIGS. 28 and 29)

Your tractor uses v-belts made of special compounds. If any belt becomes worn or breaks, replace with original equipment belt (see REPAIR PARTS section of this manual). NEVER USE A SUBSTITUTE.

- Remove mower deck (see TO REMOVE MOWER DECK in this section).
- Fully depress brake-clutch pedal and set parking brake.
- Loosen clutching idler pulley mounting screw.
- Pull belt retainer away from pulley and remove belt from clutching idler pulley.
- Remove belt from transaxle pulley.
- Remove belt from engine pulley.
- Replace belt by reversing above instructions. Be sure belt is installed to inside of upper engine pulley belt guide.
- Before repositioning and tightening clutching idler pulley and belt retainer, adjust tractor drive belt (see TO ADJUST TRACTOR DRIVE BELT in this section).
- Check tractor brake adjustment (see TO ADJUST TRACTOR BRAKE in this section).

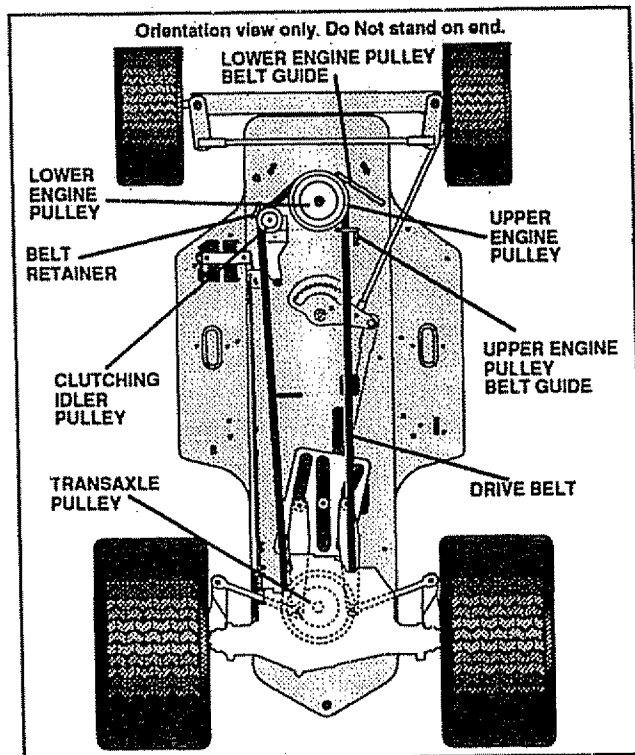


FIG. 28

TO ADJUST SEAT (See FIG. 30)

The seat can be adjusted forward or rearward to desired operator's position.

- Raise rear of seat to horizontal position.
- Loosen (do not remove) four hex head screws in seat plate.
- Pull up on seat to move it toward rear of tractor, or push down on seat to move to toward front of tractor.
- Tighten hex head screws in seat plate.

If more adjustment is required:

- Remove seat and seat plate.
- Install seat and seat plate in either forward, center or rear holes of seat support.

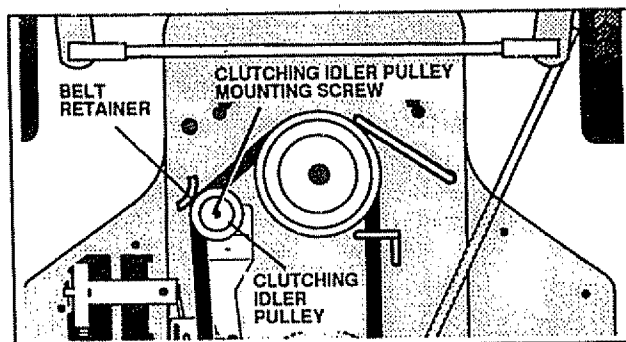


FIG. 29

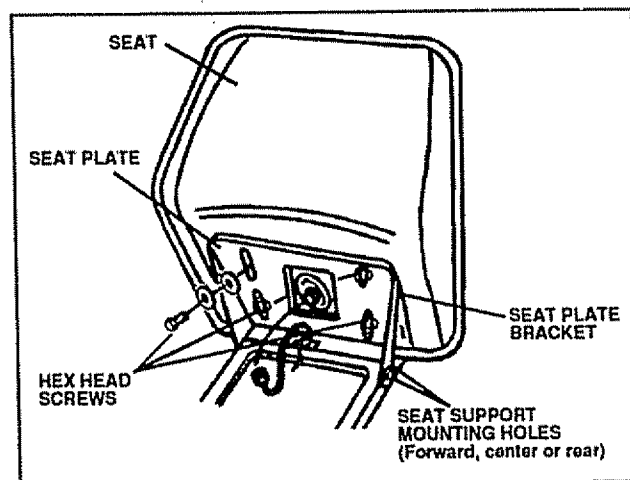


FIG. 30

SERVICE AND ADJUSTMENTS

TO ADJUST TRACTOR BRAKE (See FIGS. 31A & 31B)

Your tractor is equipped with an adjustable disc brake mounted on the transaxle.

TO CHECK BRAKE OPERATION -

- Stop tractor on a hard flat surface and turn off engine.
- Place shift control lever in **NEUTRAL** position.
- Depress brake-clutch pedal enough to latch parking brake in 1st notch.
- Try to push tractor. If you are unable to push tractor, brake is too tight and should be loosened (see **TO ADJUST TIGHT BRAKE** below).
- Depress brake-clutch pedal enough to latch parking brake in 3rd notch.
- Try to push tractor. If you are able to push tractor, brake is too loose and should be tightened (see **TO ADJUST LOOSE BRAKE** below).

TO ADJUST LOOSE BRAKE -

- Place shift control lever in **NEUTRAL** position and depress brake-clutch pedal enough to latch parking brake in 4th notch.
- Turn brake adjusting nut clockwise until you cannot push tractor.
- Re-check tractor brake adjustment as outlined above.

TO ADJUST TIGHT BRAKE -

- Place shift control lever in **NEUTRAL** position and depress brake-clutch pedal enough to latch parking brake in 1st notch.
- Turn brake adjusting nut counter-clockwise until you can push tractor.
- Re-check tractor brake adjustment as outlined above.

During tractor operation, check for stopping distance. If tractor requires more than six (6) feet for stopping distance at high speed in highest gear, the brake must be adjusted (see **TO ADJUST TRACTOR BRAKE** as described above).

TO ADJUST STEERING GEAR (See FIG. 32)

If excessive play develops in steering, adjust pinion and sector gears as follows:

- Position front wheels straight forward.
- Slightly loosen mounting screws in lower steering shaft bearing.
- Move lower steering bearing forward as needed.
- Hold bearing in place, tighten mounting screws securely. Torque mounting screws to between 15 and 18 foot pounds.

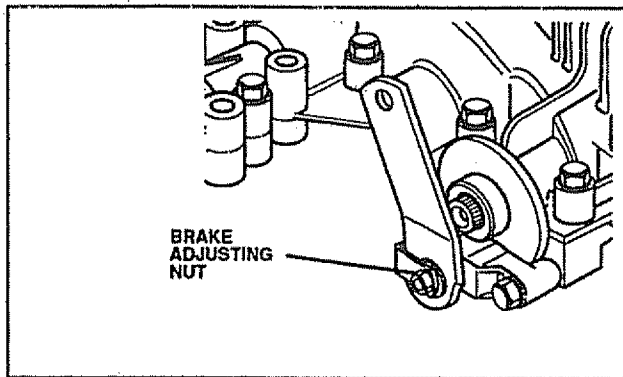


FIG. 31A

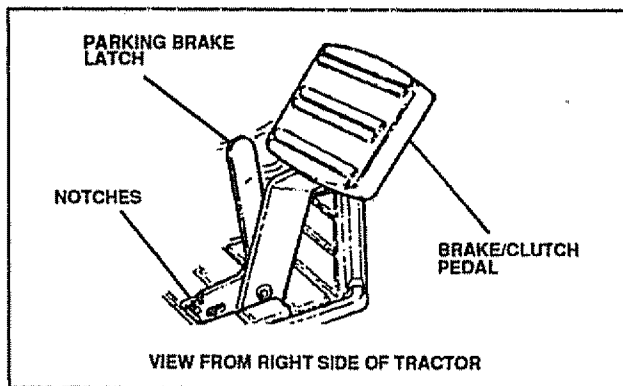


FIG. 31B

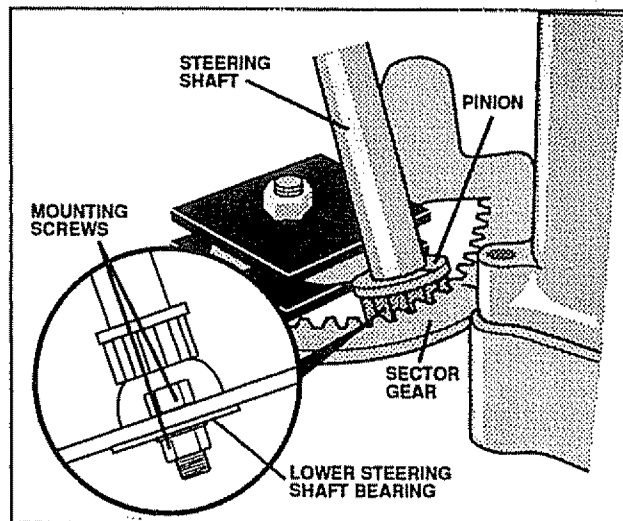


FIG. 32

SERVICE AND ADJUSTMENTS

TO ADJUST SHIFT CONTROL LEVER (See FIG. 33)

Adjustment is only required if neutral is not obtained when shift control lever is in neutral slot.

- Place shift control lever in **NEUTRAL** position.
- Release brake clutch pedal.
- Try to push tractor. You should be able to push when shift control lever is in neutral position. If you cannot push tractor, adjust as follows.
- Disconnect ball joint from shift lever bracket by removing ball joint nut. Be careful not to move shift lever bracket.
- Loosen jam nut on connecting rod.
- Place shift control lever in neutral slot.
- Thread ball joint on or off connecting rod until the stud on the ball joint goes vertically through hole in shift lever bracket.
- Install ball joint nut and tighten.
- Tighten jam nut.
- Check the shift control lever adjustment by pushing the tractor. Place shift control lever in neutral slot. You should be able to push tractor. You should not be able to push the tractor when shift control lever is in reverse or a forward range position.

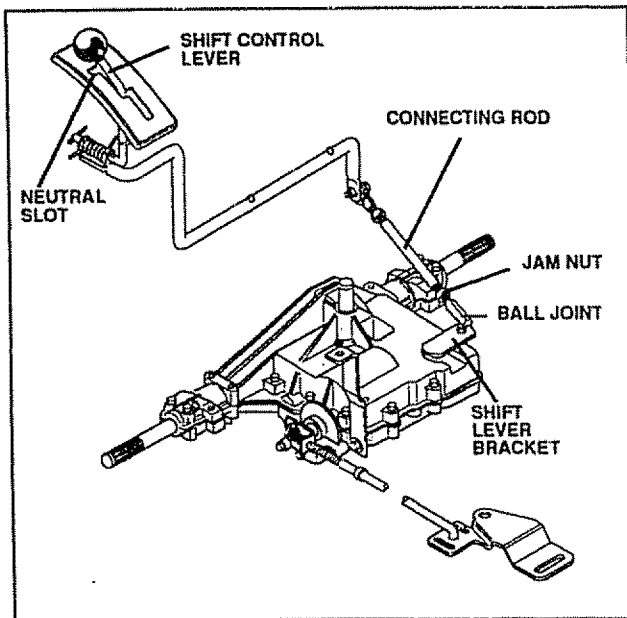


FIG. 33

TO REMOVE WHEEL FOR REPAIRS (See FIGS. 34A and 34B)

- Block up axle securely.
- On front wheels, remove dust cap, retaining ring and washer(s) to remove wheel.
- On rear wheels, remove screws to remove wheel.
- Repair tire and re-assemble.
- On rear wheels, align holes and reinstall screws.
- On front wheels, replace washer(s), and retaining ring.
- Replace dust caps.

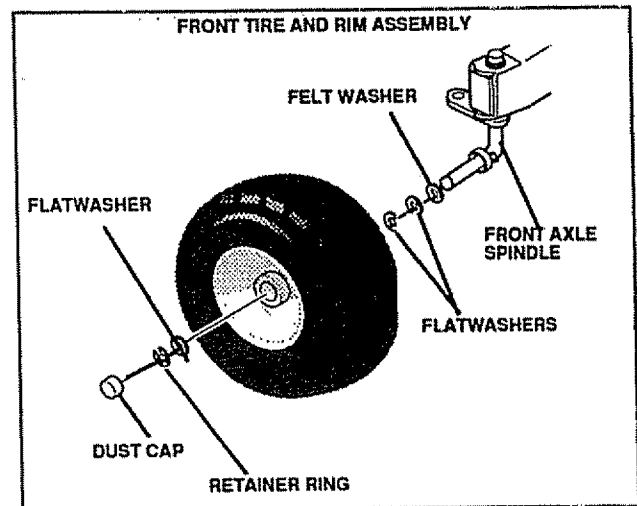


FIG. 34A

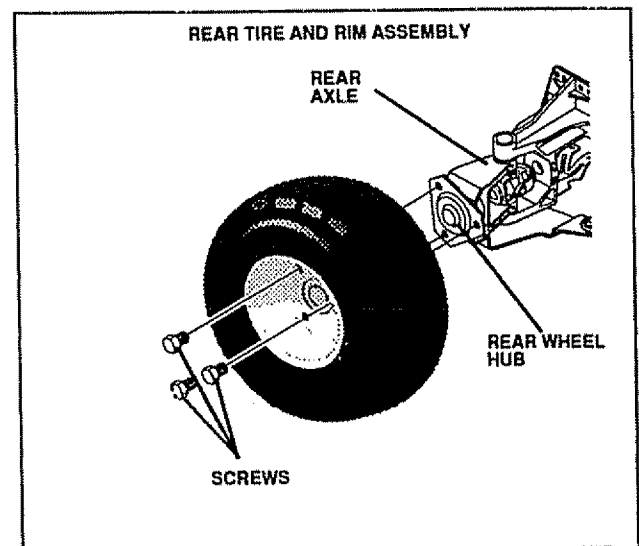


FIG. 34B

SERVICE AND ADJUSTMENTS

TO START ENGINE WITH A WEAK BATTERY (See FIG. 35)



CAUTION: Lead-acid batteries generate explosive gases. Keep sparks, flame and smoking materials away from batteries. Always wear eye protection when around batteries.

If your battery is too weak to start the engine, it should be recharged. If "jumper cables" are used for emergency starting follow this procedure.

IMPORTANT: YOUR TRACTOR IS EQUIPPED WITH A 12 VOLT NEGATIVE GROUNDED SYSTEM. OTHER VEHICLE MUST ALSO BE A 12 VOLT NEGATIVE GROUNDED SYSTEM. DO NOT USE YOUR TRACTOR BATTERY TO START OTHER VEHICLES.

TO ATTACH JUMPER CABLES -

- Push battery boot away from POSITIVE (+) terminal.
- Connect RED (+) cable to POSITIVE (+) terminal on battery, taking care not to short against chassis.
- Connect BLACK (-) cable to NEGATIVE (-) terminal on battery.

TO REMOVE CABLES, REVERSE ORDER -

- BLACK (-) cable from battery.
- RED (+) cable from battery.

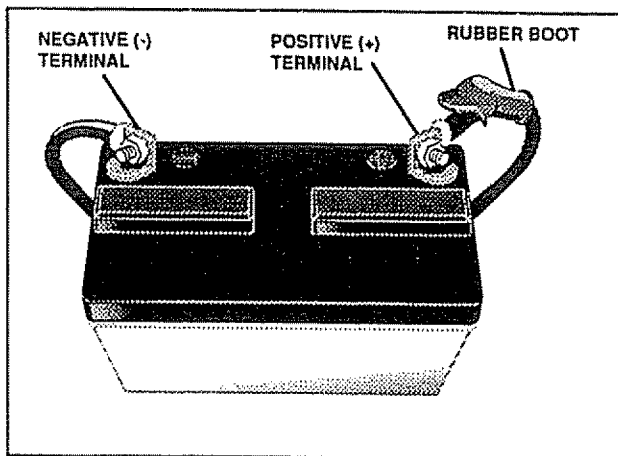


FIG. 35

TO REPLACE FUSE (See FIG. 36)

- Raise hood.
- Locate fuse holder under dash.
- Remove fuse and replace with a 15 amp automotive-type plug in fuse (see REPAIR PARTS section for more information).

TO REPLACE HEADLIGHT BULB (See FIG. 37)

- Raise hood. **NOTE:** Do not remove plastic headlight lens when replacing headlight bulb.
- Turn headlight harness (holding bulb) 1/4 turn counter-clockwise and remove.
- Pull bulb out (do not unscrew). Push in new bulb.
- Replace headlight harness and turn 1/4 turn clockwise to lock in place.
- Close hood.

INTERLOCKS AND RELAYS

Loose or damaged wiring may cause your tractor to run poorly, stop running, or prevent it from starting.

- Check wiring. See electrical wiring diagram in the REPAIR PARTS section of this manual.

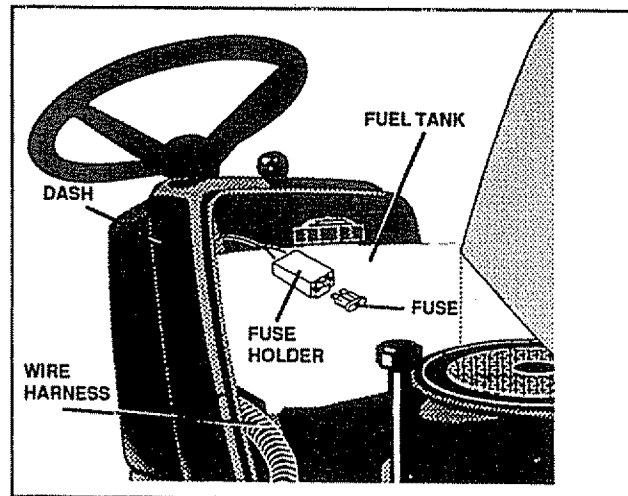


FIG. 36

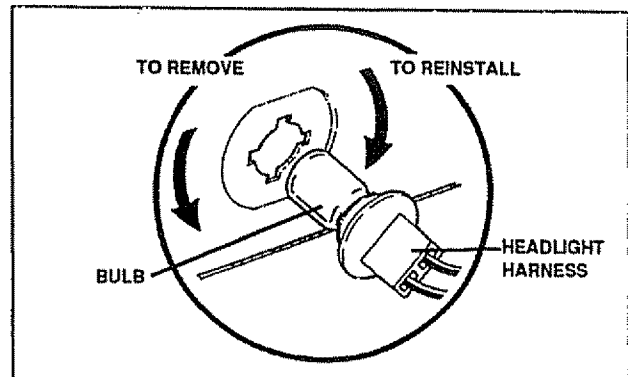


FIG. 37

SERVICE AND ADJUSTMENTS

TO REMOVE HOOD (See FIGS. 38 and 39)

- Reach under front of hood and disconnect hood latch spring.
- Raise hood.
- Disconnect headlight wire harness.
- Remove screw used to attach hood lanyard to front of engine. Hold hood securely to prevent hood from falling.
- Remove hairpins and clevis pins used to attach hood to mounting brackets.
- To reinstall, reverse above procedure.

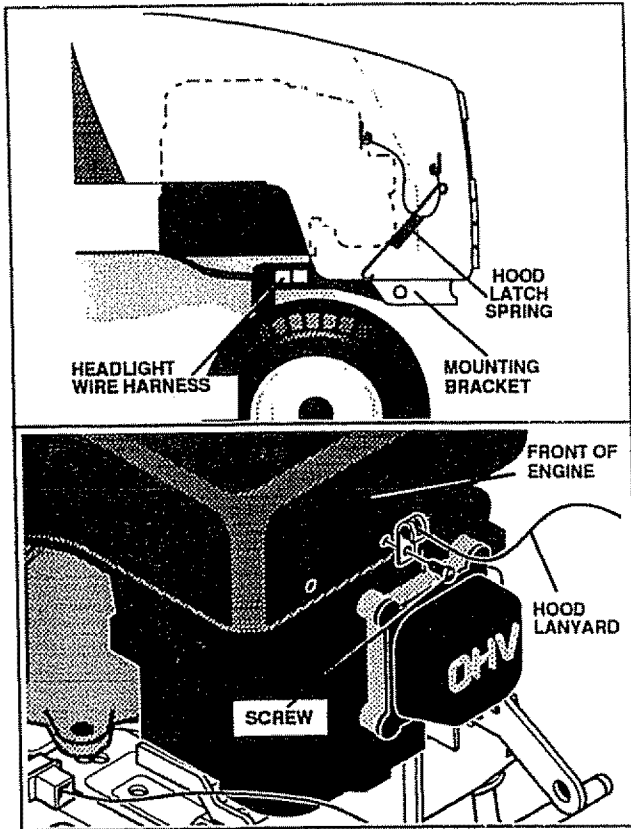


FIG. 38

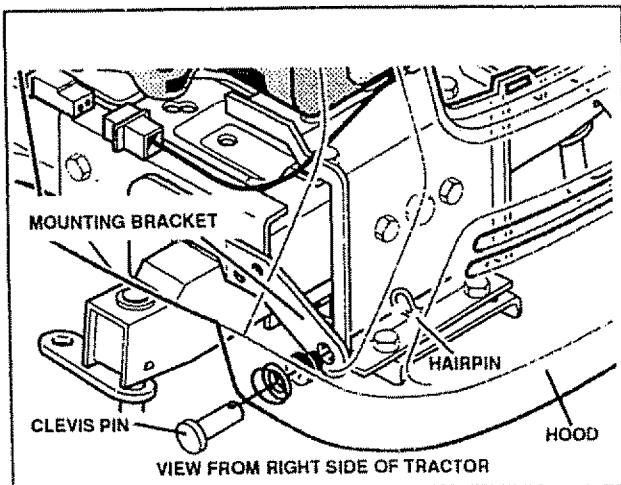


FIG. 39

ENGINE

TO ADJUST THROTTLE CONTROL CABLE (See FIG. 40)

The throttle control has been preset at factory and adjustment should not be necessary. If adjustment is necessary, proceed as follows:

- With engine not running, move throttle control lever to **FAST** position or detent position.
- Loosen clamp screw so throttle cable can be moved in cable clamp. (Do not remove cable clamp from control bracket or disconnect remote control cable from control lever.)
- Move control lever to **FAST** position and hold in this position.
- Tighten clamp screw securely so cable clamp will hold remote control cable in place when remote equipment is used.

The engine controls should now be adjusted correctly.

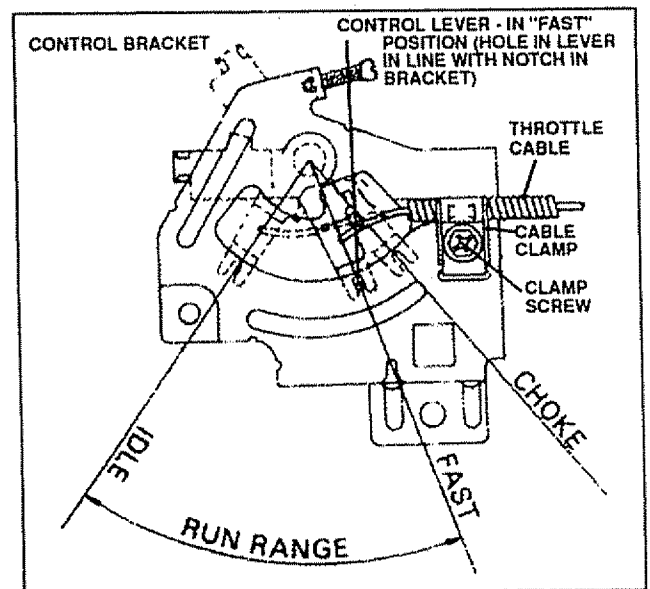


FIG. 40

TO ADJUST CARBURETOR

The carburetor has been preset at the factory and adjustment should not be necessary. However, if you think your carburetor needs adjusting, see your nearest SEARS SERVICE CENTER.

TROUBLESHOOTING POINTS

PROBLEM	CAUSE	CORRECTION
Will not start	<ol style="list-style-type: none"> 1. Out of fuel. 2. Engine not "CHOKED" properly 3. Engine flooded 4. Bad spark plug. 5. Dirty air filter. 6. Dirty fuel filter. 7. Water in fuel 8. Loose or damaged wiring 9. Carburetor out of adjustment. 10. Engine valves out of adjustment. 	<ol style="list-style-type: none"> 1. Fill fuel tank. 2. See TO START ENGINE in Operation section. 3. Wait several minutes before attempting to start. 4. Replace spark plug 5. Clean/replace air filter. 6. Replace fuel filter. 7. Drain fuel tank and carburetor, refill tank with fresh gasoline and replace fuel filter. 8. Check all wiring. 9. Contact Sears Service Department. 10. Contact Sears Service Department.
Hard to start	<ol style="list-style-type: none"> 1. Dirty air filter. 2. Bad spark plug. 3. Weak or dead battery. 4. Dirty fuel filter. 5. Stale or dirty fuel 6. Loose or damaged wiring. 7. Carburetor out of adjustment 8. Engine valves out of adjustment. 	<ol style="list-style-type: none"> 1. Clean/replace air filter. 2. Replace spark plug. 3. Recharge or replace battery. 4. Replace fuel filter. 5. Drain fuel tank and refill tank with fresh gasoline. 6. Check all wiring 9. Contact Sears Service Department. 10. Contact Sears Service Department.
Engine will not turn over	<ol style="list-style-type: none"> 1. Brake-clutch pedal not depressed. 2. Mower clutch lever is engaged. 3. Weak or dead battery. 4. Blown fuse. 5. Corroded battery terminals. 6. Loose or damaged wiring. 7. Faulty ignition switch. 8. Faulty solenoid 9. Faulty operator presence switch(es). 	<ol style="list-style-type: none"> 1. Depress brake-clutch pedal. 2. Disengage mower clutch lever. 3. Recharge or replace battery. 4. Replace fuse. 5. Clean battery terminals 6. Check all wiring. 7. Check/replace ignition switch. 8. Check/replace solenoid or starter 9. Contact Sears Service Department.
Engine clicks but will not start	<ol style="list-style-type: none"> 1. Weak or dead battery. 2. Corroded battery terminals 3. Loose or damaged wiring 4. Faulty solenoid or starter. 	<ol style="list-style-type: none"> 1. Recharge or replace battery. 2. Clean battery terminals. 3. Check all wiring. 4. Check/replace solenoid or starter.
Loss of power	<ol style="list-style-type: none"> 1. Cutting too much grass/too fast 2. Throttle in "CHOKE" position. 3. Build-up of grass, leaves and trash under mower. 4. Dirty air filter. 5. Low oil level/dirty oil 6. Faulty spark plug 7. Dirty fuel filter. 8. Stale or dirty fuel. 9. Water in fuel. 10. Spark plug wire loose. 11. Dirty engine air screen/fins 12. Dirty clogged muffler 13. Loose or damaged wiring 14. Carburetor out of adjustment. 15. Engine valves out of adjustment. 	<ol style="list-style-type: none"> 1. Set in "Higher Cut" position/reduce speed 2. Adjust throttle control. 3. Clean underside of mower housing. 4. Clean/replace air filter. 5. Check oil level/change oil. 6. Clean and re-gap or change spark plug. 7. Replace fuel filter. 8. Drain fuel tank and refill tank with fresh gasoline. 9. Drain fuel tank and carburetor, refill tank with fresh gasoline and replace fuel filter. 10. Connect and tighten spark plug 11. Clean engine air screen/fins. 12. Clean/replace muffler. 13. Check all wiring. 14. Contact Sears Service Department. 15. Contact Sears Service Department.
Excessive vibration	<ol style="list-style-type: none"> 1. Worn, bent or loose blade 2. Clutching idler assembly worn or damaged 3. Loose/damaged parts. 	<ol style="list-style-type: none"> 1. Replace blade. Tighten blade bolt. 2. Replace clutching idler assembly. 3. Tighten loose part(s) Replace damaged parts.
Unit will not propel itself when clutch is engaged	<ol style="list-style-type: none"> 1. Sheared or missing engine, wheel, transmission or transaxle pulley(s) key 2. Transaxle not operable. 3. Relief valve rod incorrectly positioned (Units with hydrostatic drive transmissions only) 	<ol style="list-style-type: none"> 1. Replace key. 2. Contact Sears Service Department 3. Stop unit and place relief valve rod in NORMAL position

TROUBLESHOOTING POINTS

PROBLEM	CAUSE	CORRECTION
Unit will not shift or shifts hard	<ol style="list-style-type: none"> 1. Shifting procedure incorrect 2. Tractor drive belt and/or brake out of adjustment 3. Transaxle not operating properly. 	<ol style="list-style-type: none"> 1. Check shifting procedure. Unit MUST come to a complete stop before changing directions. 2. Check adjustment of tractor drive belt and/or brake. Adjust if necessary. 3. Contact Sears Service Department
Engine continues to run when operator leaves seat with mower clutch engaged	<ol style="list-style-type: none"> 1. Faulty operator-safety presence control system. 	<ol style="list-style-type: none"> 1. Check wiring, switches and connections. If not corrected, contact Sears Service Department
Poor cut-uneven	<ol style="list-style-type: none"> 1. Worn, bent or loose blade 2. Mower deck not level. 3. Build-up of grass, leaves and trash under mower 	<ol style="list-style-type: none"> 1. Replace blade. Tighten blade bolt 2. Replace blade mandrel. 3. Clean underside of mower housing
Mower blades will not rotate	<ol style="list-style-type: none"> 1. Obstruction in clutch mechanism 2. Mower drive belt out of adjustment 3. Worn/damaged mower drive belt 4. Frozen idler pulley 	<ol style="list-style-type: none"> 1. Remove obstruction 2. Adjust mower drive belt. 3. Replace mower drive belt 4. Replace idler pulley.
Poor or no grass discharge	<ol style="list-style-type: none"> 1. Build-up of grass, leaves and trash under mower. 2. Wet grass. 3. Engine speed too slow. 4. Travel speed too fast. 5. Mowing too much grass. 6. Mower deck not level. 7. Low/uneven tire air pressure. 8. Worn, bent or loose blade. 9. Mower drive belt worn or out of adjustment. 10. Blades improperly installed. 11. Improper blades used. 	<ol style="list-style-type: none"> 1. Clean underside of mower housing. 2. Allow grass to dry before mowing. 3. Place throttle control in "FAST" position. 4. Shift to slower speed. 5. Set cutting height to higher setting. Then re-cut at normal setting. 6. Level mower deck. 7. Check tires for proper air pressure. 8. Replace/sharpen blade. Tighten blade bolt. 9. Replace/adjust mower drive belt 10. Reinstall blades sharp edge down 11. Replace with blades listed in this manual.
Mower leaves unmowed strip between blades	<ol style="list-style-type: none"> 1. Mowing wet/high moisture content grass. 2. Mowing too much grass. 3. Mowing too fast. 4. Blades are worn or require sharpening 5. Blade drive belt out of adjustment 6. Worn or damaged quill assembly(s) 7. Damaged mower deck housing 	<ol style="list-style-type: none"> 1. Allow grass to dry before mowing 2. Set cutting height to higher setting. 3. Place transmission control lever in lower setting 4. Sharpen or replace blades if necessary. 5. Check tension of blade drive belt. Adjust if necessary 6. Replace quill assembly(s). 7. Repair or replace mower deck housing
Headlight(s) not working (if so equipped)	<ol style="list-style-type: none"> 1. Switch is "OFF". 2. Bulb(s) burned out 3. Faulty light switch 4. Loose or damaged wiring. 5. Blown fuse. 	<ol style="list-style-type: none"> 1. Turn switch "ON". 2. Replace bulb(s). 3. Check/replace light switch. 4. Check wiring and connections. 5. Replace fuse.
Battery will not charge	<ol style="list-style-type: none"> 1. Bad battery cells 2. Poor cable connections 3. Faulty regulator (if so equipped). 	<ol style="list-style-type: none"> 1. Replace battery 2. Check/clean all connections 3. Replace regulator.
Steering erratic	<ol style="list-style-type: none"> 1. Steering sector gear and pinion loose 2. Worn ball joints. 	<ol style="list-style-type: none"> 1. Check steering sector gear. Adjust if necessary 2. Check ball joints. Replace if necessary
Steering difficulty	<ol style="list-style-type: none"> 1. Steering sector gear and pinion tight 2. Steering pivot points dry 	<ol style="list-style-type: none"> 1. Check steering sector gear. Adjust if necessary. 2. See Lubrication Chart

STORAGE

Immediately prepare your unit for storage at the end of the season or if the unit will not be used for 30 days or more.



DANGER



Never store the engine with fuel indoors or in a poorly ventilated enclosure, where fuel fumes may reach an open flame, spark or pilot light as on a furnace, water heater, clothes dryer, etc.

Handle the gasoline carefully. It is highly flammable and careless use could result in serious fire damage to your person and/or property.

Drain the fuel into an approved container outdoors away from an open flame.

TRACTOR

Remove mower deck from tractor for winter storage. When mower deck is to be stored for a period of time, clean it thoroughly, remove all dirt, grease, leaves, etc. Give blades and underside of mower deck housing a good coat of grease or rust preventative. Store in a clean, dry area.

- Clean entire tractor (See CLEANING in CUSTOMER RESPONSIBILITIES section of this manual).
- Inspect and replace belts, if necessary (See belt replacement instructions in the SERVICE AND ADJUSTMENTS section of this manual).
- Lubricate (see CUSTOMER RESPONSIBILITIES section of this manual).
- Be sure all nuts, bolts and screws are securely fastened. Inspect moving parts for damage, breakage and wear. Replace if necessary.
- Touch up all rusted or chipped paint surface; sand lightly before painting.

BATTERY

- Fully charge battery for storage.
- After a period of time in storage, battery may require recharging.
- To help prevent corrosion and power leakage during long periods of storage, battery cables should be disconnected and battery cleaned thoroughly (see TO CLEAN BATTERY AND TERMINALS in CUSTOMER RESPONSIBILITIES section of this manual).
- After cleaning, leave cables disconnected and place cables where they cannot come in contact with battery terminals.

ENGINE FUEL SYSTEM

IMPORTANT: IT IS IMPORTANT TO PREVENT GUM DEPOSITS FROM FORMING IN ESSENTIAL FUEL SYSTEM PARTS SUCH AS THE CARBURETOR, FUEL FILTER, FUEL HOSE, OR TANK DURING STORAGE. ALSO, EXPERIENCE INDICATES THAT ALCOHOL-BLENDED FUELS (CALLED GASOHOL OR USING ETHANOL OR METHANOL) CAN ATTRACT MOISTURE WHICH LEADS TO SEPARATION AND FORMATION OF ACIDS DURING STORAGE. ACIDIC GAS CAN DAMAGE THE FUEL SYSTEM OF AN ENGINE WHILE IN STORAGE.

- Drain fuel tank.
- Start engine and let it run until the fuel lines and carburetor are empty.
- Never use engine or carburetor cleaner products in fuel tank or permanent damage may occur.
- Use fresh fuel next season.

NOTE: Fuel stabilizer (such as STA-BIL) is an acceptable alternative in minimizing formation of fuel gum deposits during storage. Add stabilizer to gasoline in fuel tank or storage container. Always follow mix ratio found in stabilizer container. Run engine at least 10 minutes after adding stabilizer to allow stabilizer to reach the carburetor. Do not drain gas tank and carburetor if using stabilizer.

ENGINE OIL

Drain oil (with engine warm) and replace with clean engine oil. (See ENGINE IN CUSTOMER RESPONSIBILITIES section of this manual).

CYLINDER

- Remove spark plug.
- Pour one ounce of oil through spark plug holes into cylinder.
- Turn ignition key to START position for a few seconds to distribute oil.
- Replace with new spark plug.

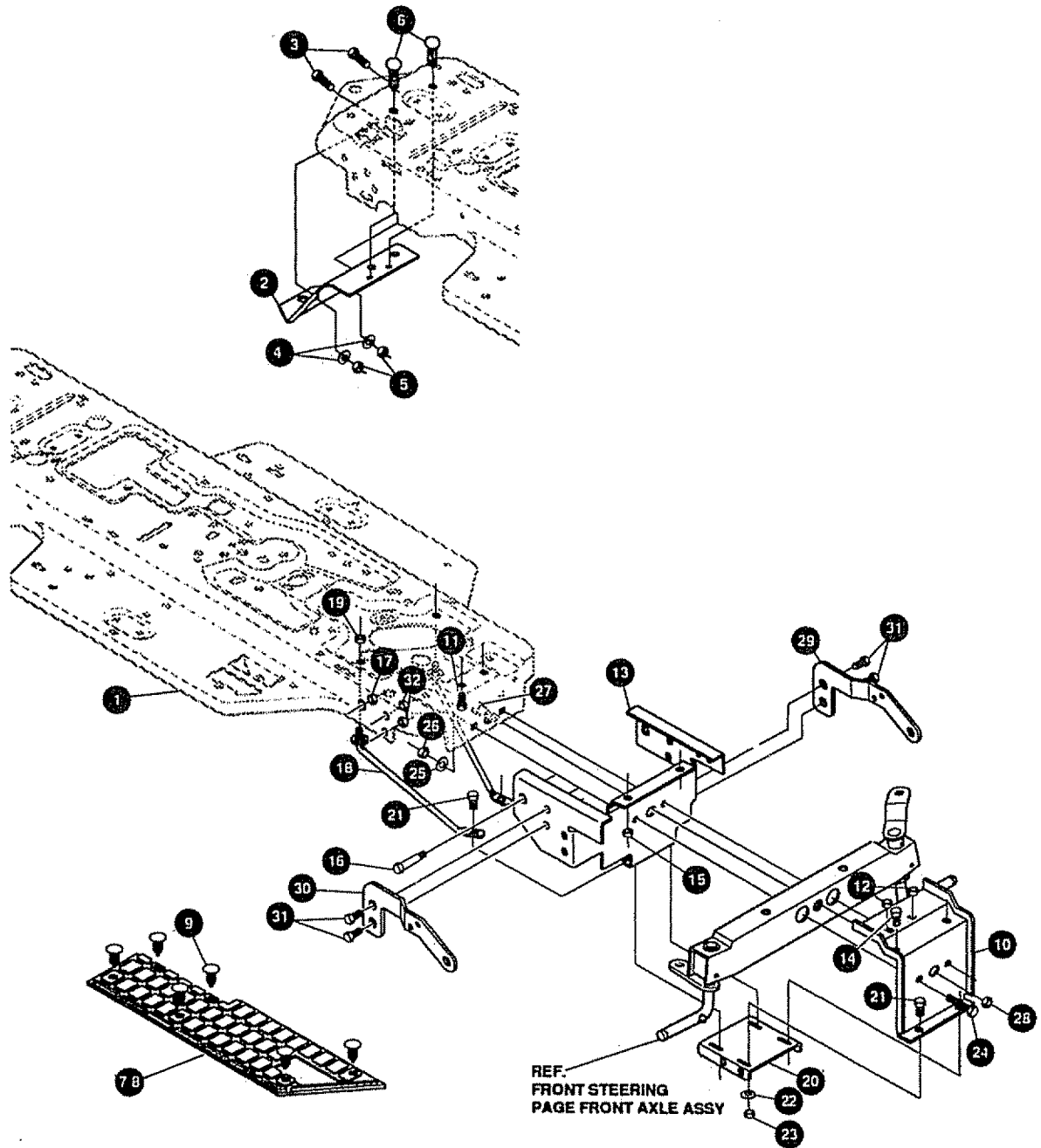
OTHER

- Do not store gasoline from one season to another.
- Replace your gasoline can if your can starts to rust. Rust and/or dirt in your gasoline will cause problems.
- If possible, store your tractor indoors and cover it to give protection from dust and dirt.
- Cover tractor with a suitable protective cover that does not retain moisture. Do not use plastic. Plastic cannot breathe which allows condensation to form and will cause your tractor to rust.

IMPORTANT: NEVER COVER TRACTOR WHILE ENGINE AND EXHAUST ARE STILL WARM.

CRAFTSMAN 40" LAWN TRACTOR MODEL 536.255861

CHASSIS & HOOD ASSEMBLY



NOTE: ALWAYS USE ORIGINAL EQUIPMENT PARTS. Use of service/replacement parts other than original equipment parts may void your warranty.

ALL UNNUMBERED ITEMS ARE INTERCHANGEABLE WITH OPPOSITE SIDE

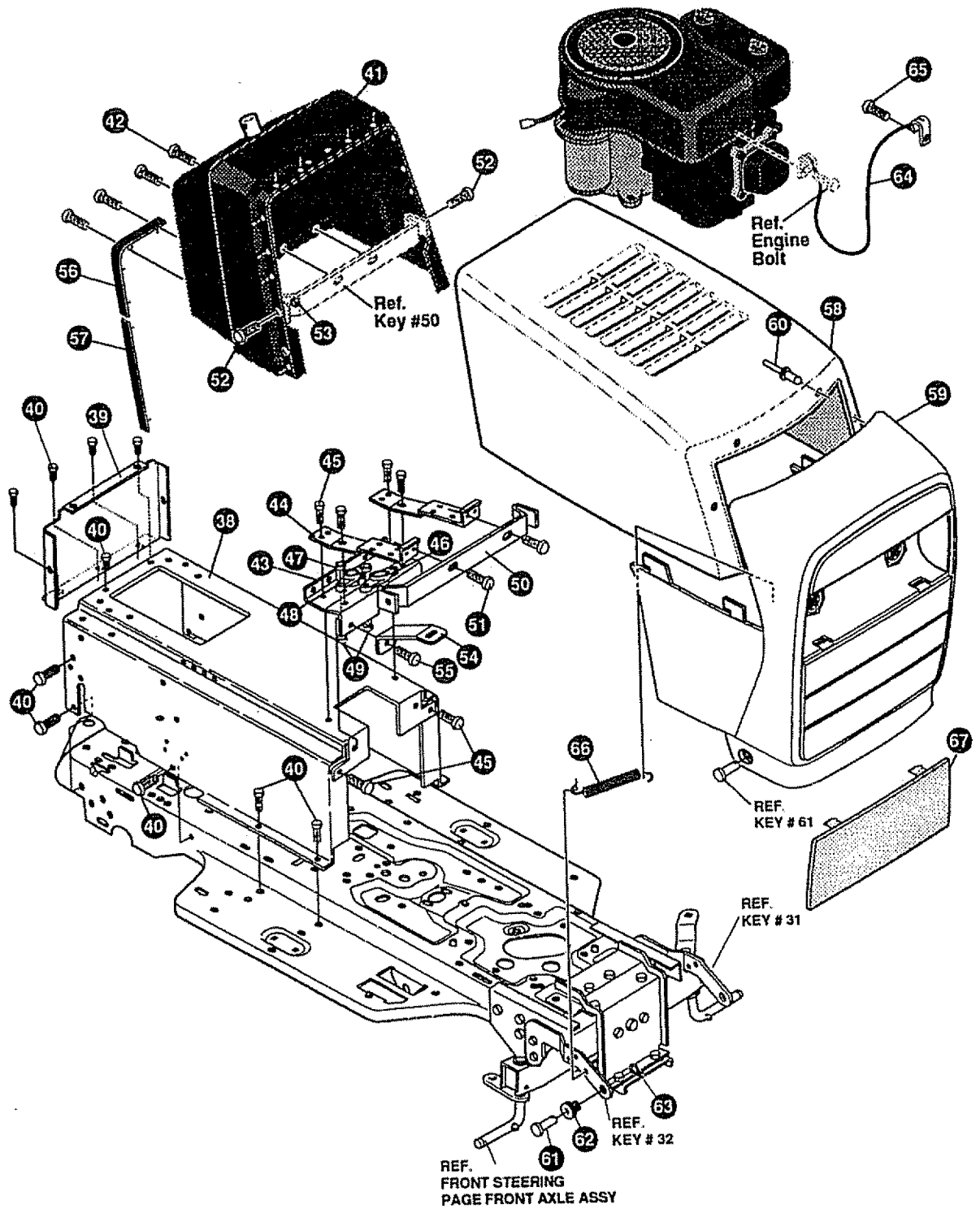
329043A

CRAFTSMAN 40" LAWN TRACTOR MODEL 536.255861

KEY#	PART#	DESCRIPTION	QTY.
1.	327076-829	FRAME,MAIN	1
2.	327061-829	HITCH, SEARS	1
3.	180079	SCREW, 5/16-18X1.00 HHC	2
4.	120393	WASHER, FLAT .344X .69X.065	2
5.	1498	NUT, 5/16-18 REGHEXCTRLK	2
6.	48148	SCREW, 3/8-16X1.00 HXWAHD TAP	2
7.	310003	FOOT PAD, LH SF MOLDED	1
8.	310004	FOOT PAD, RH SF MOLDED	1
9.	309235	FASTENER, RATCHET	12
10.	324815-829	BRACKET, FRONT XL UP SUPP	1
11.	57081	BOLT, 3/8-16X.75 CARR	2
12.	1499	NUT, 3/8-16 REGHXCTRLK	2
13.	324816-829	BRACKET, FRONT XL LO SUPP	1
14.	122007	SCREW, 5/16-18 REGHCCTRLK	2
15.	1498	NUT, 5/16-18 REGHEXCTRLK	2
16.	123567	SCREW, 7/16-20X1.00 HHC	2
17.	1282	NUT, 7/16-20 WDFLLK	2
18.	326297	ROD, SUPPORT FRAME	2
19.	1499	NUT, 3/8-16 REGHXCTRLK	2
20.	326296-829	BRACKET FRONT HANGER	1
21.	180077	SCREW, 5/16-18X.75 HHC	4
22.	120393	WASHER, FLAT .344X.69X.065	4
23.	1498	NUT, 5/16-18 REGHEXCTRLK	4
24.	122201	SCREW, 3/8-16X2.75 HHC	2
25.	2483	WASHER, .39IDX1.25DX.07 BELLVIL	2
26.	1499	NUT, 3/8-16 REGEHXCTRLK	2
27.	29616	BOLT, .625X1.890HHSH 1/2-20	1
28.	274654	NUT, 1/2-20 REGHXCTRLK	1
29.	326873-853	BRACKET GRILLE LH	1
30.	326874-853	BRACKET GRILLE RH	1
31.	328154	SCREW, 5/16-18X1.0 WDFLLK	4
32.	55273	NUT,5/16-HXWDFLLK	4
	327585	ENGLISH OWNER'S MANUAL (NOT ILLUSTRATED)	1
	329820	SPANISH OWNER'S MANUAL (NOT ILLUSTRATED)	1

CRAFTSMAN 40" LAWN TRACTOR MODEL 536.255861

HOOD AND CHASSIS ASSEMBLY



NOTE: ALWAYS USE ORIGINAL EQUIPMENT PARTS. Use of service/replacement parts other than original equipment parts may void your warranty.

ALL UNNUMBERED
ITEMS ARE INTERCHANGEABLE
WITH OPPOSITE SIDE

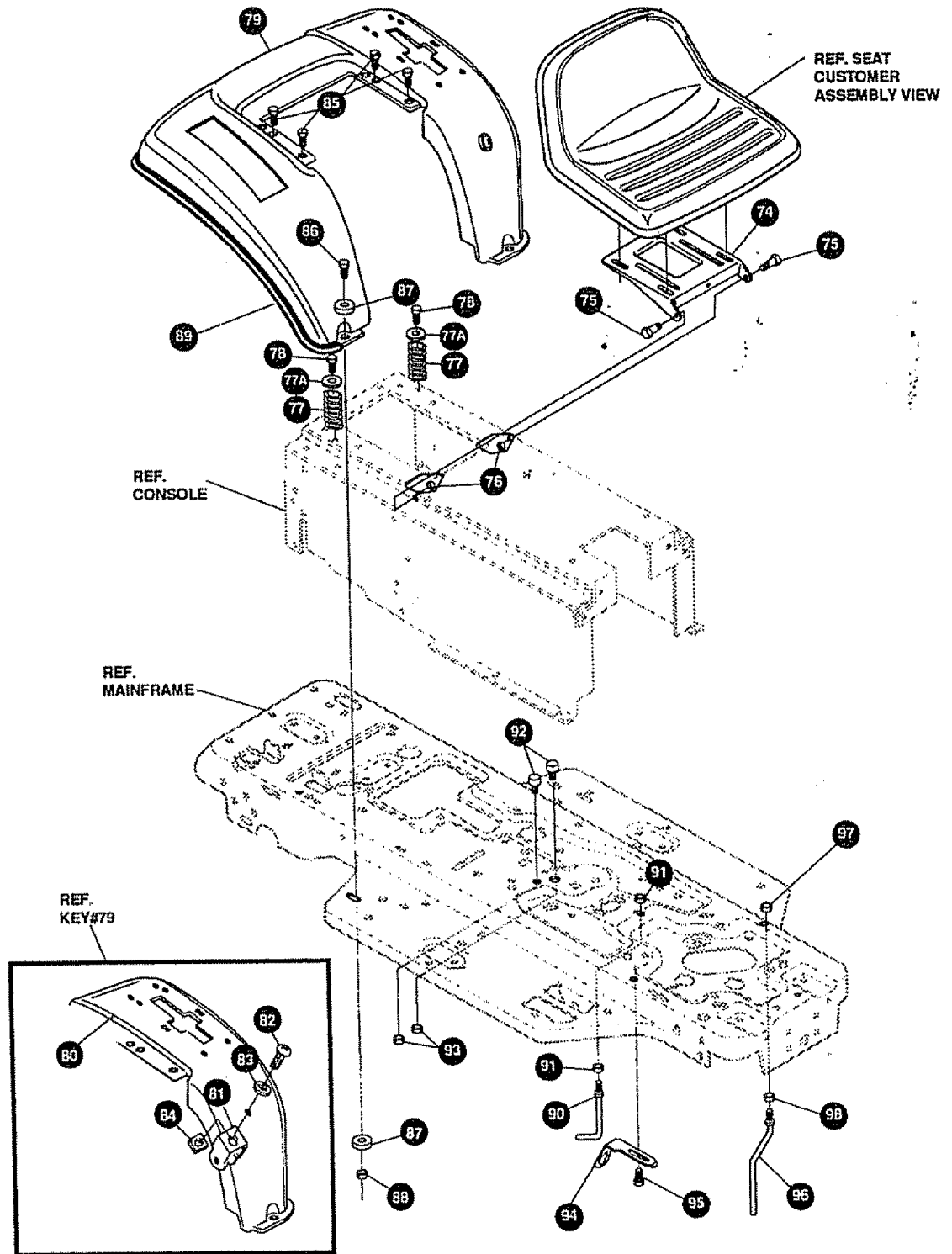
329043C

CRAFTSMAN 40" LAWN TRACTOR MODEL 536.255861

KEY#	PART#	DESCRIPTION	QTY.
38.	324996-829	CONSOLE, MOLDED DASH	1
39.	56235	CONSOLE, REAR COVER	1
40.	995346	SCREW, 1/4-20X.50 WAHHATP	15
41.	327340-630	DASH, W/ AMP, W/O CHK	1
42.	318304	SCREW, 1/4-20X.50 PHPNTAP	4
43.	327583-853	MP SUPPORT, MLD DASH	1
44.	327584-853	MP SUPPORT, MLD DASH GAS TANK	2
45.	995346	SCREW, 1/4-20X.50 WAHTAP	6
46.	327444	BRNG, FL .755ID, .226 MTNG HOLES	1
47.	1502	NUT, 1/4-20 REGHEXCTRLK	4
48.	327390	BRNG, FL .560ID, .228 MTG HOLES	1
49.	121887	SCREW, 1/4-20 X .75	4
50.	327078-853	STRAP, DASH SUPPORT SF	1
51.	995346	SCREW, 1/4-20X.50 WAHTAPZ	2
52.	155941	SCREW, 10-24X.63 PHFLTMA	2
53.	308459	NUT, #10-24 HXHDNYLK	2
54.	328924-853	CONSOLE SUPPORT BRKT	2
55.	995346	SCREW, 1/4-20X.50 WAHTAP	2
56.	328141	BUMPER, HOOD/DASH TOP & CORNER	2
57.	328142	BUMPER, HOOD/DASH SIDE STRIP	2
58.	329063-629	HOOD, MOLDED, LOUVERS	1
59.	329064-629	'S' GRILLE, MOLDED PLSTK	1
60.	329238	RIVET, POP 3/16 DIA X .75 LG FLG	4
61.	323044	PIN, CLEVIS .500 X .49/51LGTH	2
62.	326522	BRNG HOOD .505IDX .625ODX1.12 FL	2
63.	8260	PIN, HAIR .091 DIA X 1.66LG Z	2
64.	315899	LANYARD, HOOD 15.00LG H15 VANG.	1
65.	300303	SCREW, .25 X .75 PLASTITE	1
66.	304784	SPRING, HOOD LATCH	1
67.	325198	LENS FOR 'S' GRILLE	1

CRAFTSMAN 40" LAWN TRACTOR MODEL 536.255861

HOOD AND CHASSIS ASSEMBLY



NOTE: ALWAYS USE ORIGINAL EQUIPMENT PARTS. Use of service/replacement parts other than original equipment parts may void your warranty.

ALL UNNUMBERED ITEMS ARE INTERCHANGEABLE WITH OPPOSITE SIDE

329043C

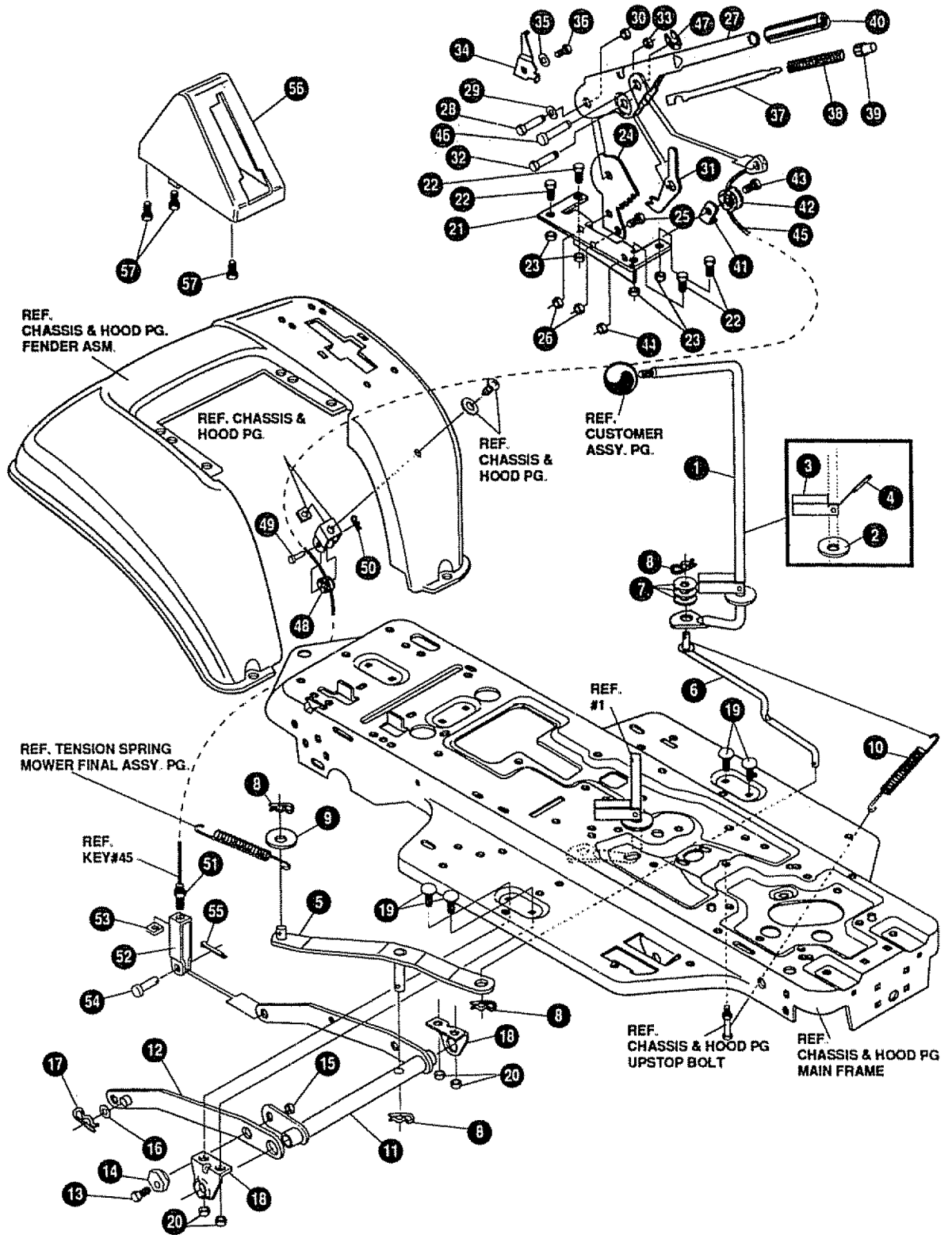
CRAFTSMAN 40" LAWN TRACTOR MODEL 536.255861

KEY#	PART#	DESCRIPTION	QTY.
74.	58367-829	PLATE, SEAT	1
75.	20507	BOLT, .437X.156 HSH 5/16-18	2
76.	1498	NUT, 5/16-18 REGHEXCTRLK	2
77.	305520	SPRING, SEAT 1.50ODX2.25 LG BLK	2
77A	120392	WASHER, .281X.63X.065	2
78.	995346	SCREW, 1/4-20X.50 WAHTAP	2
79.	*	ASSEMBLY, FENDER	1
80.	321156	FENDER	1
81.	9239	CLEVIS	1
82.	439455	SCREW, 5/16-18X.56PHPNMA	1
83.	301551	WASHER, .344IDX1.50 DX.09 CU	1
84.	120373	NUT, 5/16-18 SQ	1
85.	995346	SCREW, 1/4-20X.50 WAHTAP	4
86.	122007	SCREW, 5/16-18X.75 HHC	2
87.	446363	WASHER .375X.88X.082	4
88.	1498	NUT, 5/16-18 REGHEXCTRLK	2
89.	55023	TRIM, STRIP, BLACK—SMALL. W/ADH	75"
90.	329197	ROD, UPSTOP	1
91.	1499	NUT, 3/8-16 REGHXCTRLK	2
92.	53446	PIN, 5/16-18 HOOD LATCH	2
93.	271184	NUT, 5/16-18 HEXKEPS	2
94.	302610-853	BRACKET, SWITCH MOUNTING	1
95.	995346	SCREW, 1/4-20X.50 WAHTAP	1
96.	50653	GUIDE, BELT	1
97.	41529	NUT, 3/8-16 HXCTRLKJAM	1
98.	271190	NUT, 3/8-16 HEXKEPS	1

* ORDER INDIVIDUAL PARTS.

CRAFTSMAN 40" LAWN TRACTOR MODEL 536.255861

MOWER SUSPENSION ASSEMBLY



NOTE: ALWAYS USE ORIGINAL EQUIPMENT PARTS. Use of service/replacement parts other than original equipment parts may void your warranty.

ALL UNNUMBERED ITEMS ARE INTERCHANGEABLE WITH OPPOSITE SIDE

329040A

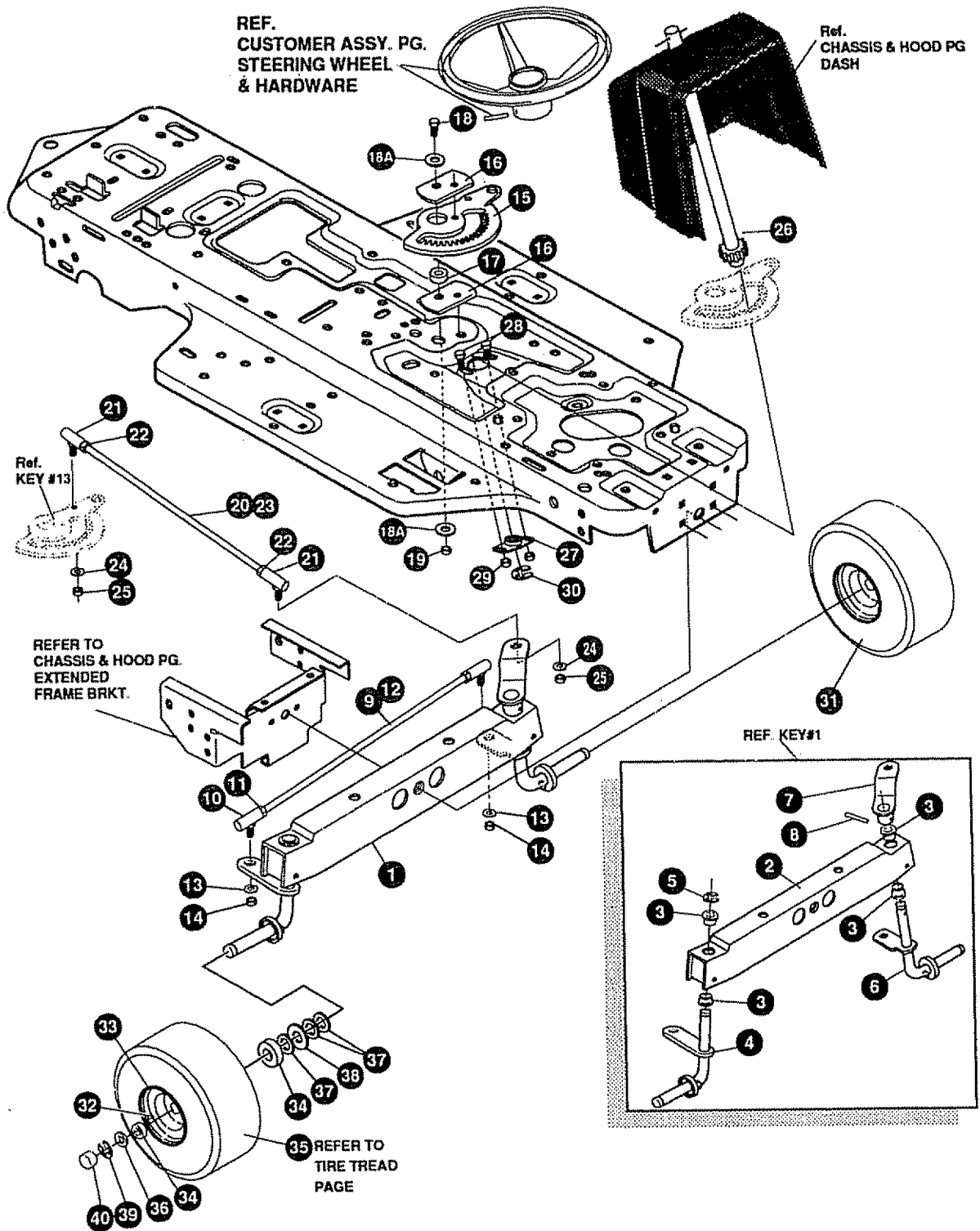
CRAFTSMAN 40" LAWN TRACTOR MODEL 536.255861

KEY#	PART#	DESCRIPTION	QTY.
1	325593	HANDLE, RH PTO H-25	1
2	22265	• WASHER, FLAT .515X1.38X.119PL	1
3	305225	STOP, PTO ENGAGEMENT	1
4	326386	PIN, SPRING. 187DIA X1.00LG HVPL	1
5	325587	STRAP ASSY, PTO BELCRANK	1
6	325590	ROD, BELCRANK LINK	1
7	274517	FLAT WASHER 406X 73X.063	3
8	8260	HAIR PIN	4
9	25210	FLAT WASHER, .392X1.25X.09	1
10	325802	SPRING, .63X7.75X.0897 TENSION	1
11	326114-853	WP LIFT ASSY, LH	1
12	325130-853	WP LIFT ASSY, RH	1
13	180079	SCREW, 5/16 18X1.00 HHC	1
14	58247	• NUT, ADJUST	1
15	1498	• NUT, 5/16-18 REGHEXCTRLK	1
16	417098	• WASHER, FLAT 5331X1.06X.063Z	2
17	8260	PIN, HAIR .091 DIA X1.66LG	2
18	325495-853	BRACKET, REAR HANG SUSP	2
19	330967	BOLT, 5/16-18X1.00 CARRGR5 BLZ	4
20	1498	• NUT, 5/16-18 REGHEXCTRLK	4
21	58333	BRACKET, HEIGHT ADJUST	1
22	180077	• SCREW, 5/16-18X .75 HHC	4
23	1498	• NUT, 5/16-18 REGHEXCTRLK	4
24	301238	QUADRANT, HEIGHT ADJUST	1
25	180077	• SCREW, 5/16-18X .75 HHC	2
26	1498	• NUT, 5/16-18 REGHEXCTRLK	2
27	322292-853	HANDLE, LIFT SHORT(30" S.F.)	1
28	300171	• BOLT, .500X .270 HHSH 5/16-18	1
29	996418	• WASHER, FLAT .506X .75X.024	1
30	44108	• NUT, 5/16-18 HWDFLCTRLK	1
31	301239	PAWL, SQUARE HTR955	1
32	300171	• BOLT, 500X .270 HHSH 5/16-18	1
33	44108	• NUT, 5/16-18 HWDFLCTRLK	1
34	9435	POINTER	1
35	138479	• WASHER, EXLK .195X 41X.03Z	1
36	35287	SCREW, #8-32X .38 HHWATAP	1
37	303027	ROD, ACTUATOR-SHORT	1
38	58326	SPRING, HEIGHT ADJUST	1
39	58325	KNOB, HEIGHT ADJ PUSH BUTTON	1
40	58329	GRIP, .750 OD W/ HOLE BLACK	1
41	9149	CABLE RETAINING BRACKET	1
42	48306	PULLEY, POWDER METAL	1
43	58336	BOLT, .375X .375 HHSH 1/4-20	1
44	1502	• NUT, 1/4-20 REGHEXCTRLK	1
45	321430	CABLE, LIFT 21 50- 30 " S.F.	1
46	300310	PIN, CLEVIS 310 DIA + .475 LG ZPL	1
47	300311	RING, RET E .31X .25TRUX5133-31	1
48	48306	PULLEY, POWDER METAL	1
49	300317	PIN, CLEVIS .375 DIA X .81 LG	1
50	8260	PIN, HAIR .091 DIA. X 1.66 LG	1
51	120375	• NUT, 1/4-20 REGHEX	1
52	9405	CLEVIS, LIFT CABLE	1
53	120372	NUT, 1/4-20 REGSQ	1
54	39522	PIN, CLEVIS .312 X .812	1
55	121222	PIN, COTTER .090/ .086X.75LG	1
56	300335	LIFT COVER-39"	1
57	300340	SCREW, #10 X 75 HHPLAST BLK	3

• STANDARD HARDWARE ITEMS

CRAFTSMAN 40" LAWN TRACTOR MODEL 536.255861

FRONT STEERING ASSEMBLY



NOTE: ALWAYS USE ORIGINAL EQUIPMENT PARTS. Use of service/replacement parts other than original equipment parts may void your warranty.

ALL UNNUMBERED ITEMS ARE INTERCHANGEABLE WITH OPPOSITE SIDE

327096C

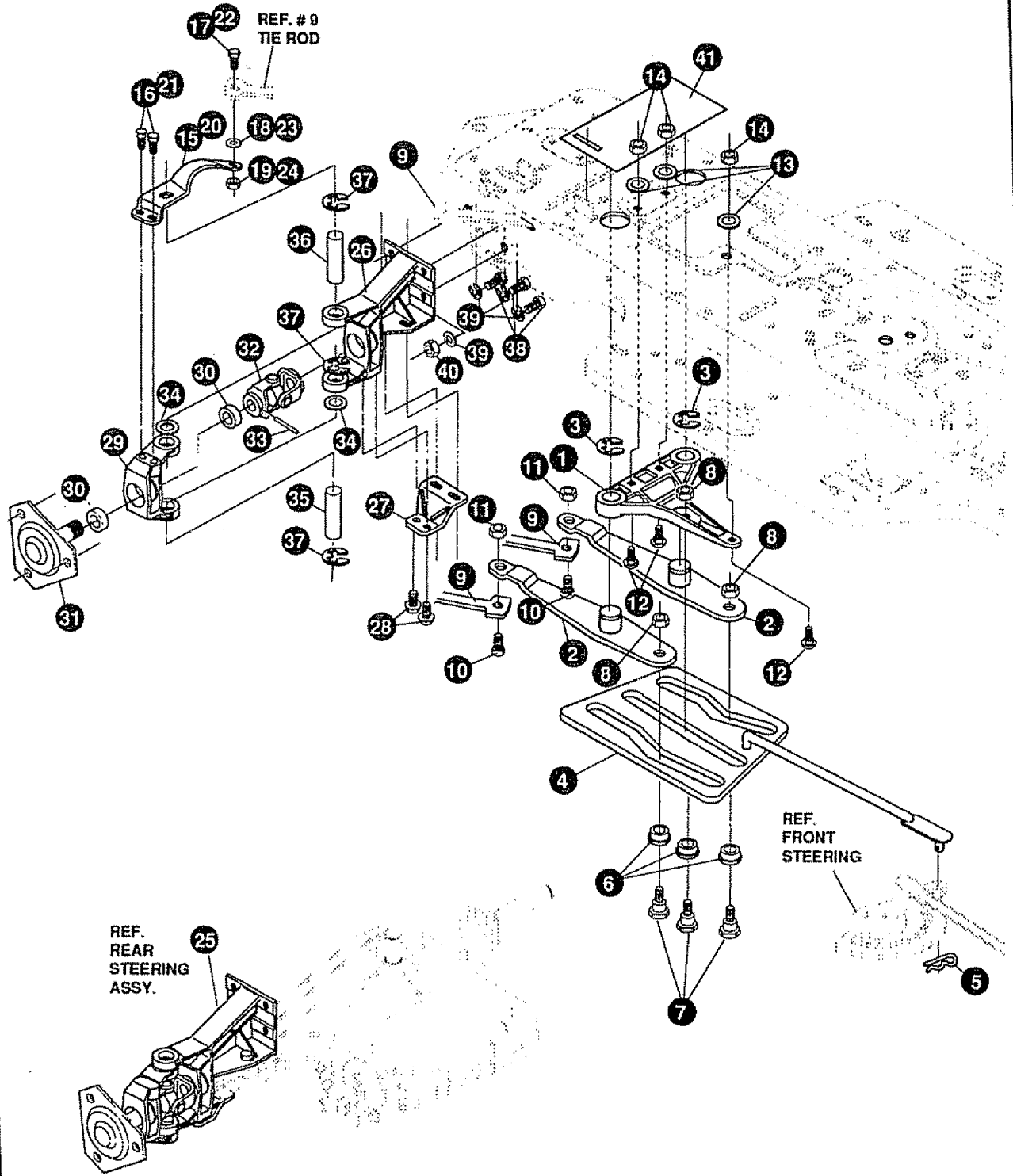
CRAFTSMAN 40" LAWN TRACTOR MODEL 536.255861

KEY#	PART#	DESCRIPTION	QTY.
1.	*	FRONT AXLE ASSEMBLY SF	1
2.	312280	AXLE FRONT	1
3.	50546	BEARING FLANGE	4
4.	325585	SPINDLE,RH	1
5.	36625	RING,RETEX	1
6.	325586	SPINDLE,LH	1
7.	327619-853	ARM,ASSY, SF 4WS FRT. STEER	1
8.	454565	PIN,SPRING	1
9.	329459	TIE ROD ASSEMBLY	1
10.	• 21275	BALL JOINT	2
11.	124925	NUT, 3/8-24	2
12.	325228	DRAGLINK	1
13.	120382	WASHER, .393X.68X.10 REGSPTLK	2
14.	• 120369	NUT, 3/8-24 REGHCTRLK	2
15.	324752	SECTOR GEAR	1
16.	327833	PLATE, SECTOR	2
17.	324753	BUSHING, SECTOR	1
18.	47665	SCREW, 3/8-24 x1.25 NYLHHCGR5	1
18A.	2483	WASHER, .391 X 1.25 X .07 BELLVILLE	2
19.	412349	NUT 3/8-24 REGHX CTRLK	1
20.	329458	DRAG LINK ASSEMBLY	1
21.	57158	BALL JOINT	2
22.	• 124925	NUT, 3/8-24 REGHEXJAM	2
23.	325228	DRAG LINK	1
24.	• 120382	WASHER, REGSPTLK	2
25.	120369	NUT, 3/8-24 REGHEX	2
26.	327395	STEERING SHAFT	1
27.	325692	BRNG FLANGE	1
28.	326505	SCR 1/4-20X.75	2
29.	46931	NUT 1/4-20 WDFL MAC LOCK	2
30.	20864	RING,RETEX .39X.04TRU5133	1
31.	*	ASSEMBLY, TIRE & RIM	2
32.	24167	VALVE STEM	1
33.	321908	WHEEL W/BEARING	1
34.	314416	BEARING, 1.380DX.753ID FLANGE	2
35.		REFER TO TIRE TREAD PAGE	
36.	642	WASHER.FLAT .755X1.31X.075	2
37.	73840	WASHER, FLAT .765X1.12X.06	6
38.	318550	SEAL, FELT 1.56O D.X1/8 THK	2
39.	36625	RING,RETEX 57X 05	2
40.	40394	HUB CAP	2

* ORDER INDIVIDUAL PARTS

CRAFTSMAN 40" LAWN TRACTOR MODEL 536.255861

REAR STEERING ASSEMBLY



NOTE: ALWAYS USE ORIGINAL EQUIPMENT PARTS. Use of service/replacement parts other than original equipment parts may void your warranty.

ALL UNNUMBERED ITEMS ARE INTERCHANGEABLE WITH OPPOSITE SIDE

325256D

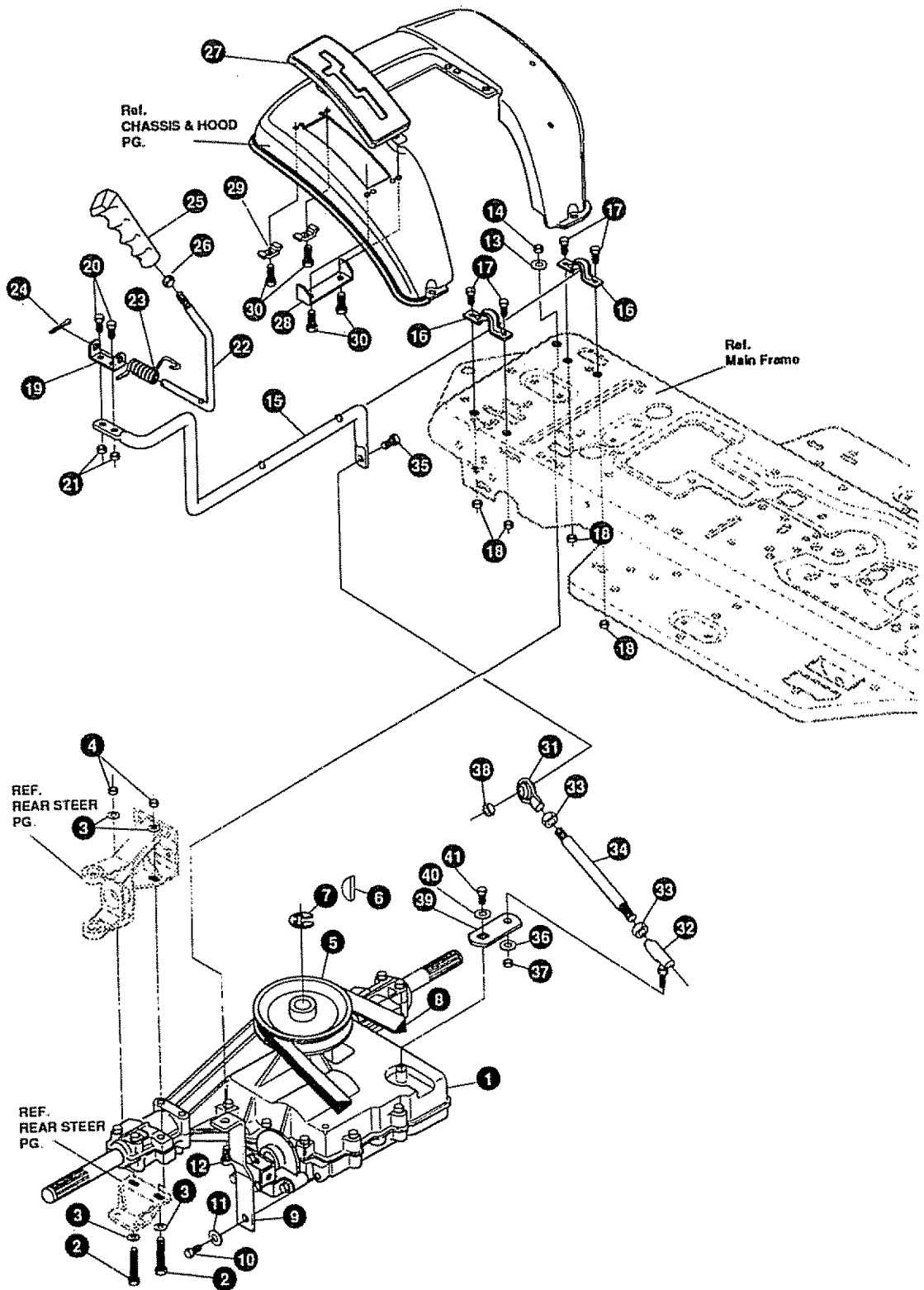
CRAFTSMAN 40" LAWN TRACTOR MODEL 536.255861

KEY#	PART#	DESCRIPTION	QTY.
1	327793	SF ASSY, CAM PLATE SUPPORT	1
2	325791	ASSY, CAM ARM	2
3	36625	RING, RETEX .57X.05TRU5133-75	2
4	326906	WS 4WS DRAG LINK ASM SF	1
5	36368	PIN, HAIR	1
6	324742	BEARING, CAM ROLLER SF4WS	3
7	◇ 325128	BOLT, .625X .442 HSSH 3/8-16Z	3
8	◇ 1499	NUT, 3/8-16 REGHXCTRLK	3
9	329268	LINK, REAR STEER TIE SF 4WS	2
10	◇ 46824	BOLT, .500X .188 HSSH 5/16-18	2
11	◇ 1498	NUT, 5/16-18 REGHEXCTRLK	2
12	◇ 126216	BOLT, 5/16-18X .75 CARR	3
13	◇ 120393	WASHER, FLAT .344X .69X.065	3
14	◇ 1498	NUT, 5/16-18 REGHEXCTRLK	3
15	329266	MP ARM REAR WHL STR SF4WS R.H.	1
16	◇ 39728	SCREW, 3/8-16X .75 WAHTAP BK P	2
17	◇ 46824	BOLT, .500X .188 HSSH 5/16-18Z	1
18	◇ 4230	WASHER, FLAT .328X .68X .104	1
19	◇ 44108	NUT, 5/16-18 HWDFLCTRLK	1
20	329267	ARM REAR WHL STR SF 4WS L.H.	1
21	◇ 39728	SCREW, 3/8-16X .75 WAHTAP BK P	2
22	◇ 46824	BOLT, .500X .188 HSSH 5/16-18Z	1
23	◇ 4230	WASHER, FLAT .328X .68X .104	1
24	◇ 44108	NUT, 5/16-18 HWDFLCTRLK	1
25	328263	ASSY, REAR STEER, INNER/OUTER	2
26	324755	YOKE, SF4WS INNER	1
27	325282-853	BRACKET, INNER YOKE SUPPORT	1
28	◇ 35498	SCREW, 5/16-18X .75 WAHTAP	2
29	324754	YOKE, REAR STEER OUTER SF 4WS	1
30	12325	BRNG, BALL .750IDX1 575ODX 472	2
31	328981-830	HUB ASSEMBLY	1
32	320531	U-JOINT ASSEMBLY W/ ZERKS (LONG)	1
33	36311	PIN, GROOVED .250DIAX 1.50LG	1
34	◇ 21682	WASHER, FLAT .765X1.25X .042	2
35	325220	PIN, REAR STRNG HINGE LOWER SF	1
36	325221	PIN, REAR STRNG HINGE UPPER SF	1
37	36625	RING, RETEX .57X .05 TRU5133-75	3
38	◇ 180079	SCREW, 5/16-18X1.00 HHC GR5	6
39	◇ 120393	WASHER, FLAT .344X .69X.065	12
40	◇ 1498	NUT, 5/16-18 REGHEXCTRLK	6
41	326871	COVER, PLASTIC	1

◇ Indicates STANDARD HARDWARE ITEMS

CRAFTSMAN 40" LAWN TRACTOR MODEL 536.255861

MOTION DRIVE ASSEMBLY



NOTE: ALWAYS USE ORIGINAL EQUIPMENT PARTS.
Use of service/replacement parts other than original equipment parts may void your warranty.

**ALL UNNUMBERED
ITEMS ARE INTERCHANGEABLE
WITH OPPOSITE SIDE**

326619D

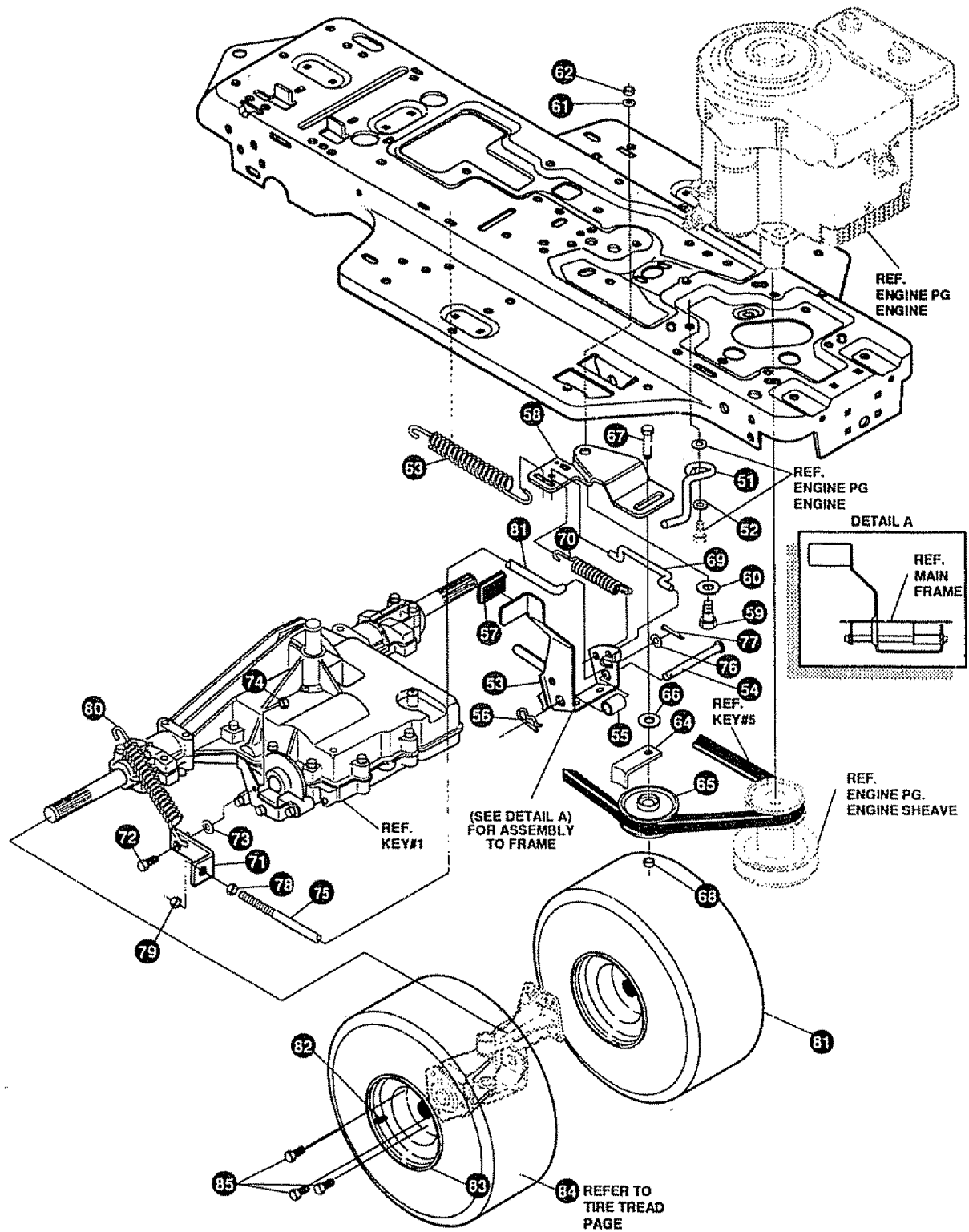
CRAFTSMAN 40" LAWN TRACTOR MODEL 536.255861

KEY#	PART#	DESCRIPTION	QTY.
1.	*	TRANSAXLE P930-045 5SP4WSSF	1
2.	180112	SCREW, 5/16-18X2.75 HHC GR5	4
3.	120399	WASHER, FLAT .344X.69X.065	8
4.	1498	NUT, 5/16-18 REGHEXCTRLK	4
5.	303109	PULLEY, 6.6 OD V4L T/A	1
6.	3021	KEY, WDRF 606 .750X.187X.312	1
7.	22053	RING, RETEX .58X.035TRU5100-62	1
8.	53320	BELT, V 4L 83.50	1
9.	323126	BRKT,STABILIZER 920,4360 SF	1
10.	35498	SCREW, 5/16-18X .75 WAHHTAP	1
11.	120638	WASHER, HVSP TLK .328X.60X.09	1
12.	122017	SCREW, 5/16-18X1.00 HHC	1
13.	138485	WASHER, EXLK 320X.61X.03	1
14.	1498	NUT, 5/16-18 REGHEXCTRLK	1
15.	319113	LEVER, SHIFT LOWER SF FENSHIFT	1
16.	302760	CLAMP .625DIA	2
17.	180075	SCREW, 5/16-18X .63 HHC	4
18.	1498	NUT, 5/16-18 REGHEXCTRLK	4
19.	310356	BRACKET,PIVOT SHIFT LEVER	1
20.	180018	SCREW, 1/4-20X .62 HHC	2
21.	1502	NUT, 1/4-20 REGHEXCTRLK	2
22.	309635	LEVER, SHIFT UPPER SOF 1/2-13	1
23.	310265	SPRING, TORS .56X.95X.095	1
24.	137185	PIN, COTTER .125 DIA X1.00LG	1
25.	304729	HANDLE, 1/2-13	1
26.	120238	NUT, 1/2-13 HEXJAM	1
27.	311209	COVER PLASTIC P930/F4360-6	1
28.	311257-853	BRACKET COVER FNDR SHIFT	1
29.	1341	CLAMP, SPRING 1.17"ID	2
30.	311331	SCREW, 1/4-15X.44/53 HILOHHWA	4
31.	304260	BALL JOINT,RH 3/8-24	1
32.	57158	BALL JOINT 3/8 THD SHORT STUD	1
33.	124925	NUT, 3/8-24 REGHEXJAM	2
34.	329056	SHIFT ROD P930 4WS	1
35.	180124	SCREW, 3/8-16X1.25 HHC	2
36.	120382	WASHER, REGSPTLK.393X.68X.10	1
37.	120369	NUT, 3/8-24 REGHEX	1
38.	1499	NUT, 3/8-16 REGHXCTRLK	1
39.	309637	BRACKET,SHIFT 5SP SF FENDER	1
40.	57157	WASHER, 750X.250 SP-TRANSAXLE	1
41.	56255	SCREW, 1/4-28X .75 NYLHHC	1

* SEE TRANSAXLE BREAKDOWN PAGES.

CRAFTSMAN 40" LAWN TRACTOR MODEL 536.255861

MOTION DRIVE ASSEMBLY



NOTE: ALWAYS USE ORIGINAL EQUIPMENT PARTS.
Use of service/replacement parts other than original equipment parts may void your warranty.

ALL UNNUMBERED ITEMS ARE INTERCHANGEABLE WITH OPPOSITE SIDE

326619D

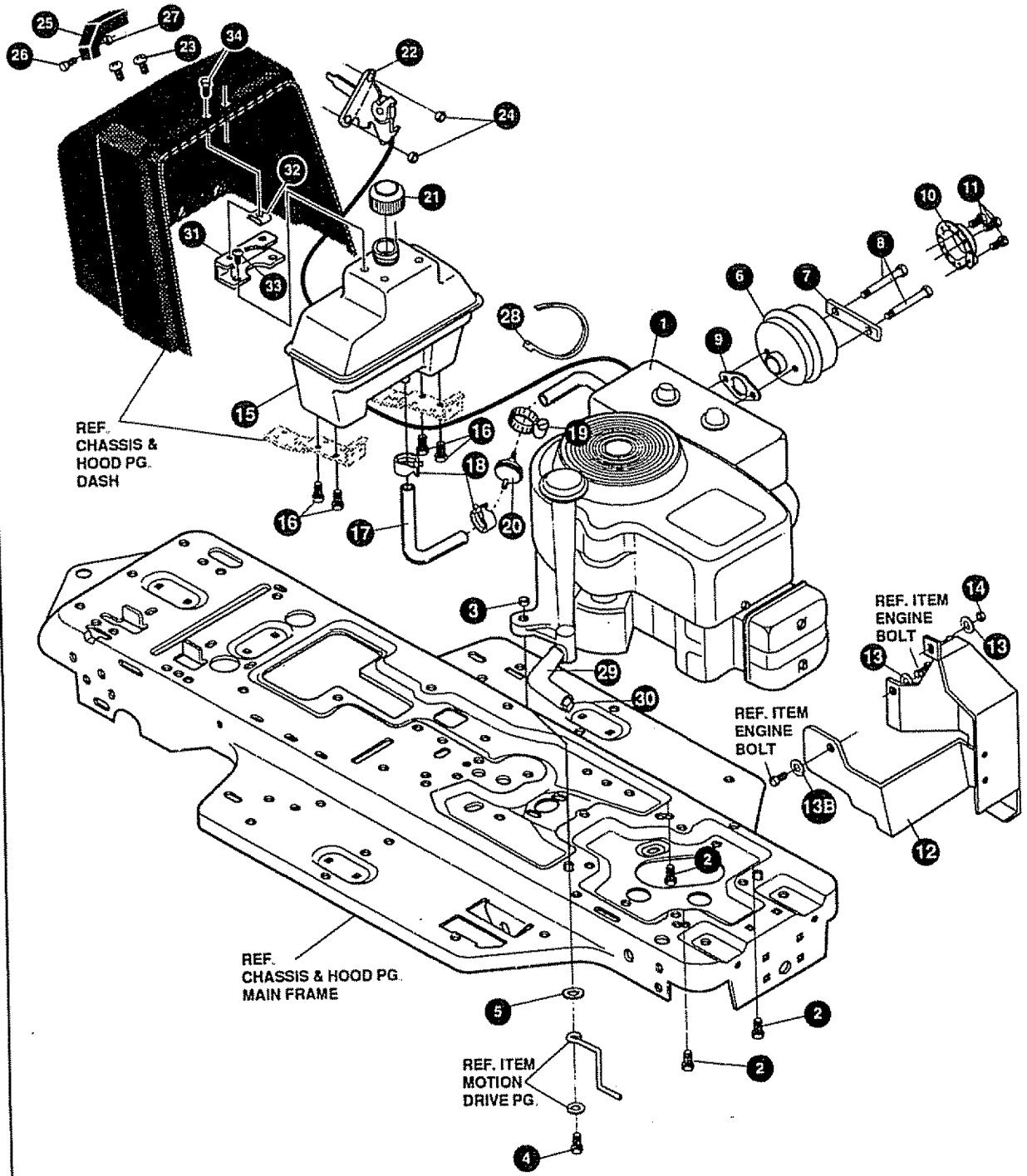
CRAFTSMAN 40" LAWN TRACTOR MODEL 536.255861

KEY#	PART#	DESCRIPTION	QTY.
51.	329055	BELT GUIDE TEC FAN SEARS	1
52.	45602	WASHER, FLAT .333 X .87 X .119	1
53.	329232	ASSY,BRAKE PEDAL	1
54.	319676	PIN, CLEVIS .500DX4.87LG	1
55.	302601	SPACER, SLEV .53 X .62X1.406	1
56.	56180	PIN, HAIR .091 DIA X1.62LG	1
57.	302335	PAD,CLUTCH/BRAKE	1
58.	321969	IDLER ARM BRKT TRACTION	1
59.	41890	BOLT, .625X .218 HSH 5/16-18	1
60.	4107	WASHER, FLAT .635X1.31X.07	1
61.	45602	WASHER, FLAT .333X .87X.119	1
62.	1498	NUT, 5/16-18 REGHEXCTRLK	1
63.	56359	SPRING, .113X .750X 8.75 TENSION	1
64.	39659	RETAINER,BELT	1
65.	35374	PULLEY, IDLER V4L 3.06X .62	1
66.	327611	WASHER, FLAT .391 x1.000 x.194	1
67.	57325	BOLT, 3/8-16X2.00 CARR	1
68.	1499	NUT, 3/8-16 REGHXCTRLK	1
69.	43980	ROD, .268 DIA CLUTCH	1
70.	50562	SPRING,3/8ODX1.625X.055 TENSION	1
71.	323127	BRACKET, BRAKE ROD	1
72.	20507	BOLT, .437X .156 HSH 5/16-18	1
73.	4230	WASHER, FLAT .328X .68X.104	1
74.	1498	NUT, 5/16-18 REGHEXCTRLK	1
75.	323222	MF BRAKE ROD RIDER	1
76.	120393	WASHER, FLAT .344X.69X.065Z	1
77.	121222	PIN, COTTER .090/.086X.75 LG Z	1
78.	271184	NUT, 5/16-18 HEXKEPS	1
79.	1498	NUT, 5/16-18 REGHEXCTRLK	1
80.	35410	SPRING, .071X.62X4.37	1
81.	*	TIRE & RIM PU 20X8-8 TURFWHI	2
82.	24167	VALVE STEM	1
83.	321915	HUB, WHEEL	1
84.		REFER TO TIRE TREAD PAGE	1
85.	123418	SCREW, 1/2-20X 50 HHC	6

* ORDER INDIVIDUAL PARTS.

CRAFTSMAN 40" LAWN TRACTOR MODEL 536.255861

ENGINE & CONTROL ASSEMBLY



NOTE: ALWAYS USE ORIGINAL EQUIPMENT PARTS. Use of service/replacement parts other than original equipment parts may void your warranty.

ALL UNNUMBERED ITEMS ARE INTERCHANGEABLE WITH OPPOSITE SIDE

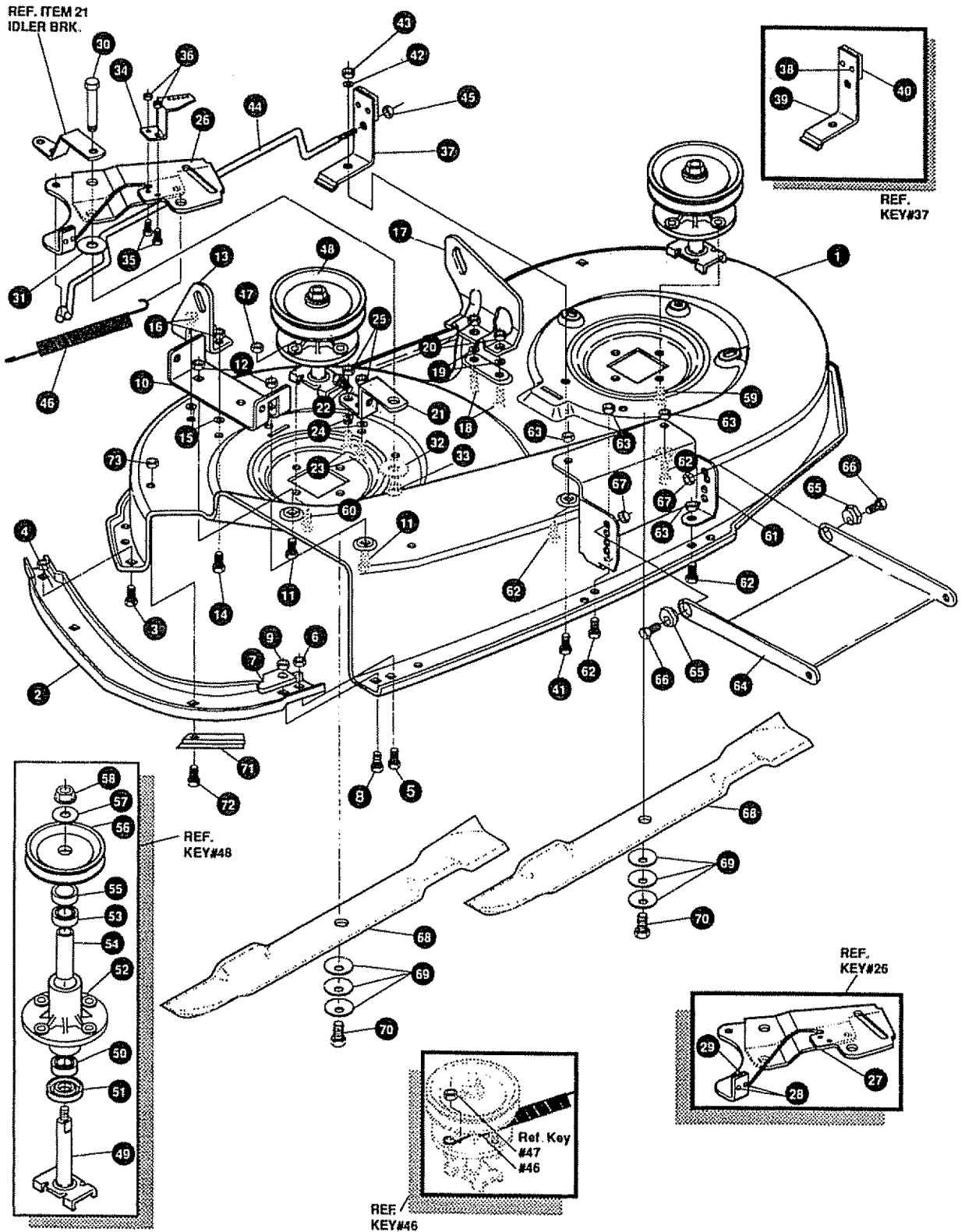
CRAFTSMAN 40" LAWN TRACTOR MODEL 536.255861

key#	part#	description	qty.
1	327730	ENGINE 12.5 HP TEC OHV XL	1
2	∇ 50947	SCREW, 3/8-16X1.25 WAHHTAP	3
3	44108	NUT, 5/16-18 REGHEXCTRLK	1
4	180083	SCREW, 5/16-18X1.50 GR5	1
5	138485	WASHER, EXLK .320X.61 X 03	1
6	54766	MUFFLER-ROUND DOMESTIC USE	1
7	328706	PLATE MUFFLER LOCKING	1
8	173063	SCREW, 5/16-18X3.50 HHC GR2	2
9	46708	GASKET, MUFFLER	1
10	56472	DEFLECTOR SIDE OUT	1
11	35287	SCREW, #8-32X.38 HHWATAPGR2	3
12	327418	SHIELD ASSY HEAT SF TEC 12	1
13	120380	WASHER, REGSPTLK .263X.49X.07	2
13B.	120638	WASHER, REGSPTLK .393X.68X.10	1
14	120613	NUT, 1/4-28 HEXJAM	1
15	314989	TANK, FUEL 1 GALLON	1
16	∇ 300303	SCREW, 1/4X .75PLASTITE	4
17	47452	GAS LINE .25ID BULK LENGTH	7.5'
18	47345	CLAMP, GAS LINE (1/2 DIA HOSE)	2
19	47345	CLAMP HOSE SCREW	1
20	56679	FUEL FILTER	1
21	46704	GAS CAP	1
22	315716	THROTTLE CONTROL	1
23	155941	SCREW, 10-24X.63 PHPLMTA	2
24	308459	NUT, #10-24 HXHDNYLK	2
25	300508	KNOB THROTTLE CONTROL GP STYLE	1
26	159585	SCREW, #8-32X.38 PHPNMA	1
27	120622	NUT, #8-32X.38 PHPNMA	1
28	574444	TIE, CABLE	1
29	43989	DRAIN OIL, SF 11 B&S	1
30	23700	PLUG, 3/8 SQ 1/4-7/16 PIPE	1
31	328942	CENTER SUPPORT, PLASTIC DASH	1
32	328685	TINNERMAN CLIP	2
33	300303	SCREW, .25X.75X.51 HHWAPLASTITE	2
34	274707	SCREW, 10-24X.50	2

∇ Indicates STANDARD HARDWARE ITEMS

CRAFTSMAN 40" LAWN TRACTOR MODEL 536.255861

PRE-PAINTED DECK ASSEMBLY



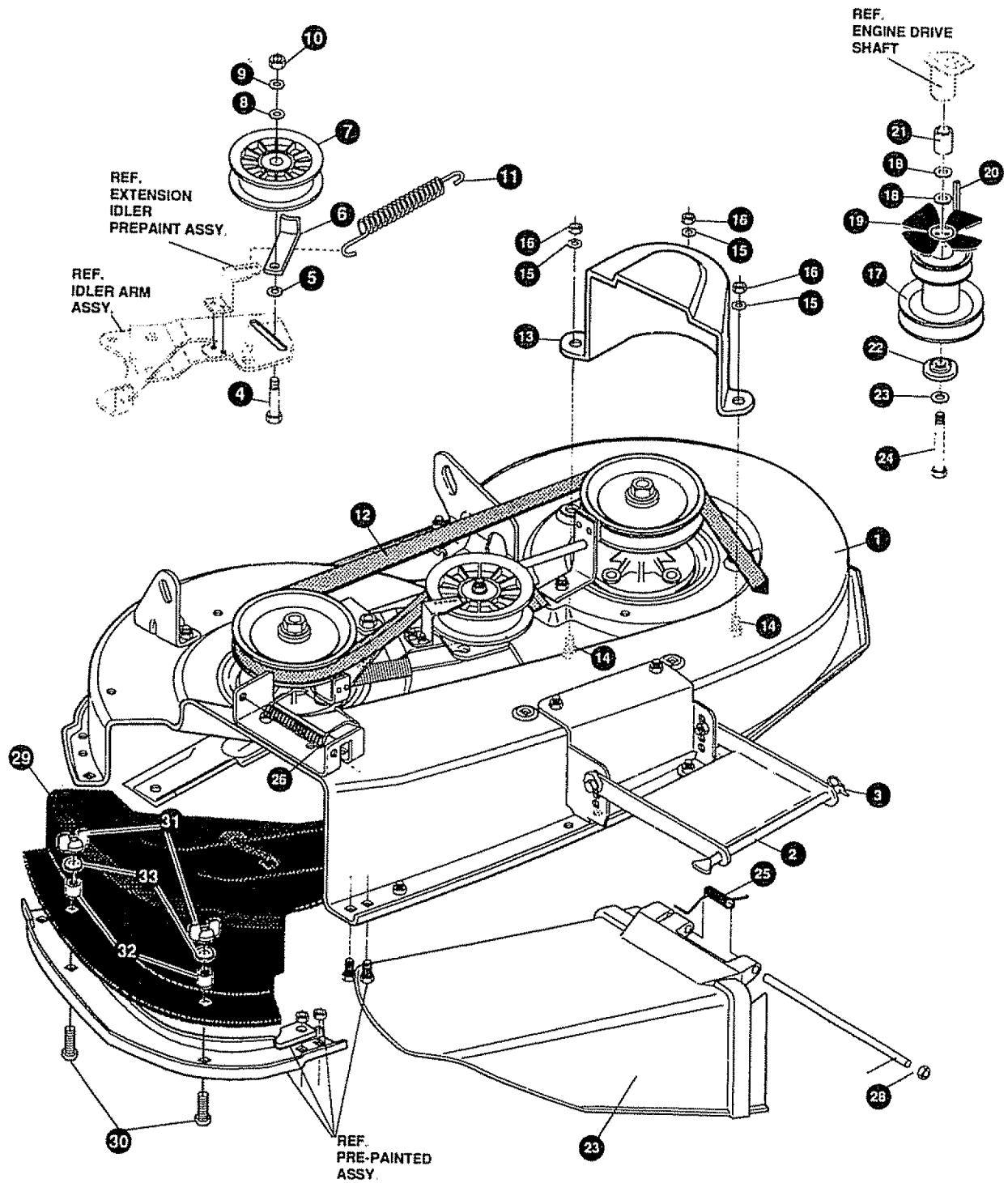
CRAFTSMAN 40" LAWN TRACTOR MODEL 536.255861

KEY#	PART#	DESCRIPTION	QTY.
1.	327453-853	MOWER DECKS, RIDER 40"	1
2.	326480	TOE GUARD-MULCHER	1
3.	• 180075	SCREW, 5/16-18X .63 HHC	1
4.	• 1498	NUT, 5/16-18 REGHEXCTRLK	1
5.	• 122007	SCREW, 5/16-18X .75 HHC	1
6.	• 1498	NUT, 5/16-18 REGHEXCTRLK	2
7.	327280-853	BRACKET MOWER CHUTE	1
8.	122027	SCREW, 5/16-18X1.25	1
9.	1498	NUT, 5/16-18 REGHEXCTRLK	1
10.	317017	BRACKET CHUTE MOUNT	1
11.	• 180075	SCREW, 5/16-18X .63 HHC	2
12.	• 1498	NUT, 5/16-18 REGHEXCTRLK	2
13.	325652	BRACKET,RH LIFT REAR	1
14.	180077	SCREW, 5/16-18X .75 HHC	2
15.	120393	WASHER, FLAT .344X .69X .065	2
16.	• 1498	NUT, 5/16-18 REGHEXCTRLK	2
17.	325653-853	BRACKET,LH LIFT REAR	1
18.	• 180077	SCREW, 5/16-18X .75 HHC	2
19.	120393	WASHER, FLAT .344X .69X .065	2
20.	• 1498	NUT, 5/16-18 REGHEXCTRLK	2
21.	326893-853	BRACE IDLER	1
22.	308231	SCREW, 1/4-20X1.25	1
23.	• 180077	SCREW, 5/16-18X .75 HHC	2
24.	120393	WASHER, FLAT .344X .69X .065	2
25.	44108	NUT, 5/16-18 HWDFLCTRLK	2
26.	320576-853	IDLER ARM ASSEMBLY	1
27.	322116-853	ARM IDLER 40"DECK EURO	1
28.	41601	RIVET, OVSET .187DIAX .50	2
29.	306973	BRAKE PAD - HARD	1
30.	304420	BOLT, .500X2.15 HXHDCPSH	1
31.	996307	WASHER, FLAT .391X1.00X.209	1
32.	996416	WASHER, FLAT .391X1.00X.125	2
33.	45171	NUT, 3/8-16 HWDFL WHIZ-LOCK	1
34.	326249-853	BRACKET, EXTENSION IDLER	1
35.	180075	SCREW, 5/16-18 X .63 HHC	2
36.	1498	NUT, 5/16-18 REGHEXCTRLK	2
37.	321828	BLADE BRAKE ASSY.	1
38.	135624	RIVET, TRSET .185DIAX 41LG	2
39.	304119-853	BRAKE ARM	1
40.	306973	BRAKE PAD	1
41.	• 120228	SCREW, 5/16-18X .63 HHC	1
42.	120393	WASHER, FLAT .344X .69X .065	1
43.	• 1498	NUT, 5/16-18 REGHEXCTRLK	1
44.	302714	ROD, BRAKE	1
45.	1502	NUT, 1/4-20 REGHEXCTRLK	1
46.	35410	SPRING .071 X .62 X 4.37	1
47.	• 1498	NUT, 5/16-18 REGHEXCTRLK	1
48.	56424-853	QUILL ASSY, 36/39/40/43	2
49.	56425	SHAFT/SADDLE 36"	1
50.	49562	BRNG, BALL .669IDX1 575ODX.472	1
51.	50616	DUST SHIELD	1
52.	55547	QUILL CASTING (1046)	1
53.	49562	BRNG, BALL .669IDX1 575ODX.472	1
54.	50818	SPACER, SLEV .669X .88X3.797	1
55.	51449	SPACER, SLEV .672X .93X 438PM	1
56.	313898	PULLEY,26/36" QUILL	1
57.	56365	WASHER, SPECIAL QUILL	1
58.	1282	NUT, 7/16-20 WDFLLK	1
59.	50634	SCREW, 5/16-18X .88 WAHHTAP	7
60.	300345	SCREW, 5/16-18X1.38 WATAP	1
61.	318445	BRACKET,40 LF FRONT DECK	1
62.	• 180075	SCREW, 5/16-18X .63 HHC	4
63.	• 1498	NUT, 5/16-18 REGHEXCTRLK	4
64.	58305-853	BRACKET,LINK DECK FRONT	1
65.	58247	ADJUSTING NUT	2
66.	• 122017	SCREW, 5/16-18X1.00 HHC	2
67.	• 1498	NUT, 5/16-18 REGHEXCTRLK	2
68.	325761	BLADE, 40" STD-LIFT 20.324	2
69.	2483	WASHER, 39IDX1 25DX.07 BELLVIL	6
70.	47665	SCREW, 3/8-24X1.25 NYLHHC	2
71.	327570-853	KICKER MULCHER	1
72.	126216	BOLT, 5/16-18X.75 CARR GR2	1
73.	1498	NUT, 5/16-18 REGHEXCTRLK	1

• indicates STANDARD HARDWARE ITEMS

CRAFTSMAN 40" LAWN TRACTOR MODEL 536.255861

FINAL DECK ASSEMBLY



NOTE: ALWAYS USE ORIGINAL EQUIPMENT PARTS. Use of service/replacement parts other than original equipment parts may void your warranty.

ALL UNNUMBERED ITEMS ARE INTERCHANGEABLE WITH OPPOSITE SIDE

327081C

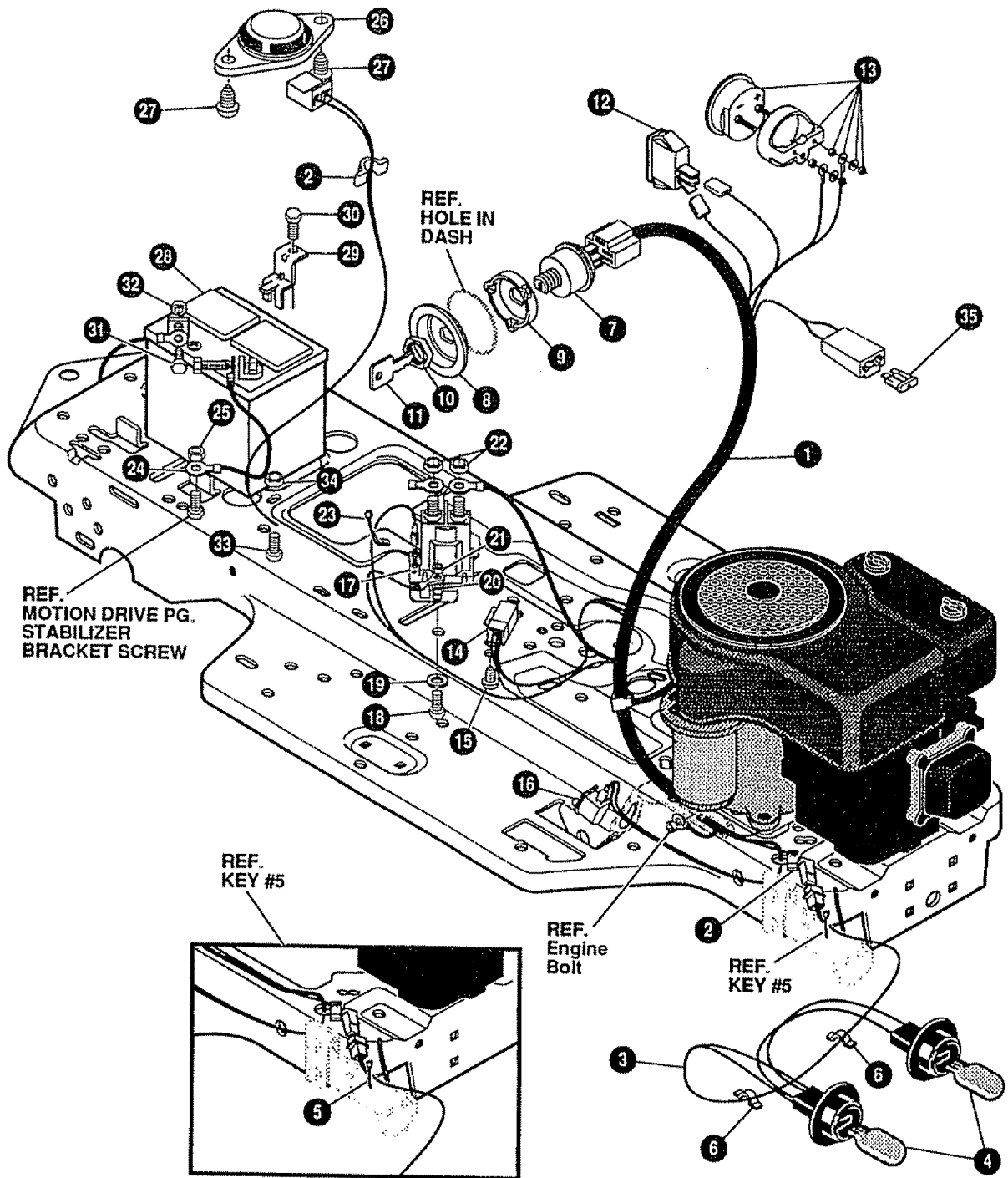
CRAFTSMAN 40" LAWN TRACTOR MODEL 536.255861

KEY#	PART#	DESCRIPTION	QTY.
1.	*	ASSY DECK,40" MOWER DOM	1
2.	58306	ROD, DECK HITCH	1
3.	8260	PIN, HAIR .091 DIA X 1.66LG	1
4.	57325	BOLT, 3/8-16X2.00 CARR	1
5.	25210	WASHER, FLAT .392X1.25X.09	1
6.	1346	RETAINER,BELT	1
7.	310326	PULLEY, IDLER BFF 4.00 WIDE FL	1
8.	996307	WASHER, FLAT .391X1.00X.209	1
9.	120382	WASHER, REGSPTLK .393X.68X.10	1
10.	• 120377	NUT, 3/8-16 REGHX	1
11.	325773	SPRING,TENSION .75X11.0X.105	1
12.	300680	BELT, V 5L 77.75 DECK 40 LF	1
13.	328257	GUARD, BELT LH PLASTIC	1
14.	• 120228	SCREW, 5/16-18X .63 HHC	3
15.	120393	WASHER, FLAT .344X .69X.065	3
16.	• 1498	NUT, 5/16-18 REGHEXCTRLK	3
17.	329007	PULLEY,ENG. V3L 3.75 OFFSET	1
18.	50748	WASHER, FLAT 1.03X1.37X.074	2
19.	327855	ENGINE FAN	1
20.	56432	KEY SQUARE .249 SQ X 4.25 LG	1
21.	304246	SPACER SLEEVE 1.01X1.484X	1
22.	56431	WASHER .98OIDXL1.38X.437 PILOT	1
23.	120383	WASHER REGSPTLK .459X.78X.12	1
24.	433146	SCREW, 7/16-20X4.25 HHC	1
25.	304422	CHUTE DEFLECTOR 40",42" & 43"	1
26.	314975	SPRING TORISON CHUTE DEFLECTOR	1
27.	304424	ROD PIVOT DECK .312 X 7 25	1
28.	3535	NUT PUSH ON CAP	1
29.	326405-853	MULCHER, PLUG	1
30.	126360	BOLT, 5/16-18X1.00 CARR GR2	2
31.	327457	NUT, WING 5/16-18	2
32.	327613	SPACER .344X.63X.500	2
33.	138485	WASHER	2

* ORDER INDIVIDUAL PARTS
 • Indicates STANDARD HARDWARE ITEMS

CRAFTSMAN 40" LAWN TRACTOR MODEL 536.255861

ELECTRICAL ASSEMBLY



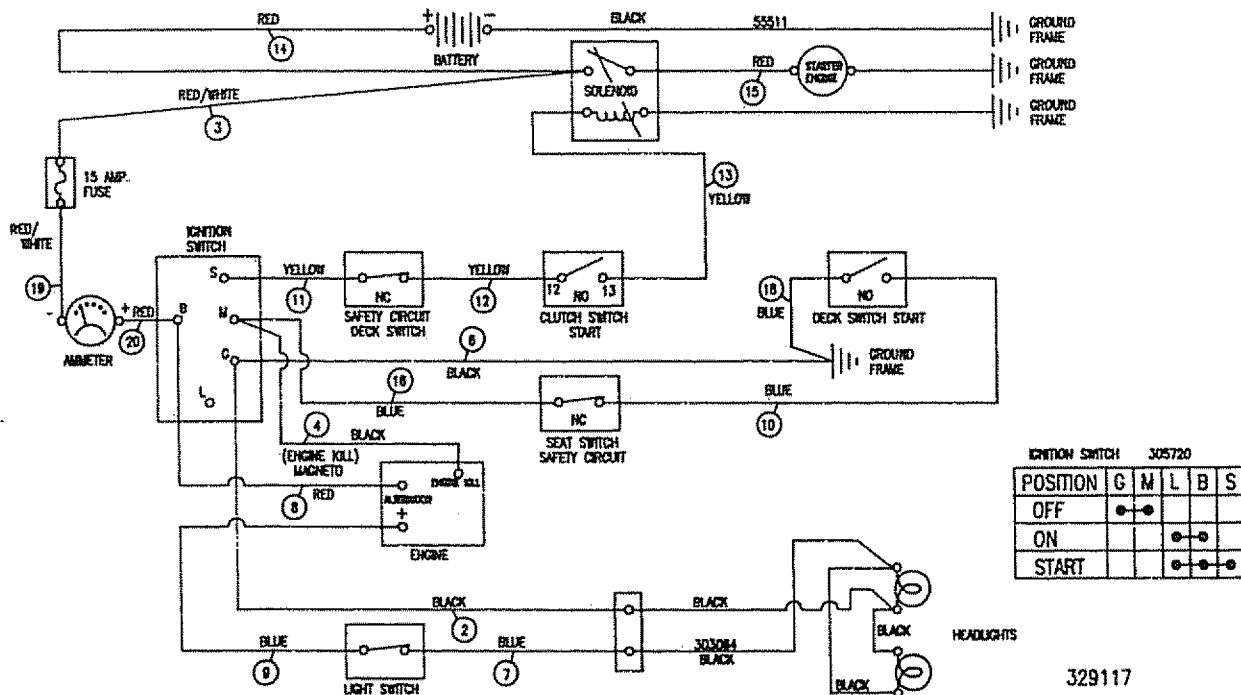
NOTE: ALWAYS USE ORIGINAL EQUIPMENT PARTS.
Use of service/replacement parts other than original equipment parts may void your warranty.

ALL UNNUMBERED ITEMS ARE INTERCHANGEABLE WITH OPPOSITE SIDE

CRAFTSMAN 40" LAWN TRACTOR MODEL 536.255861

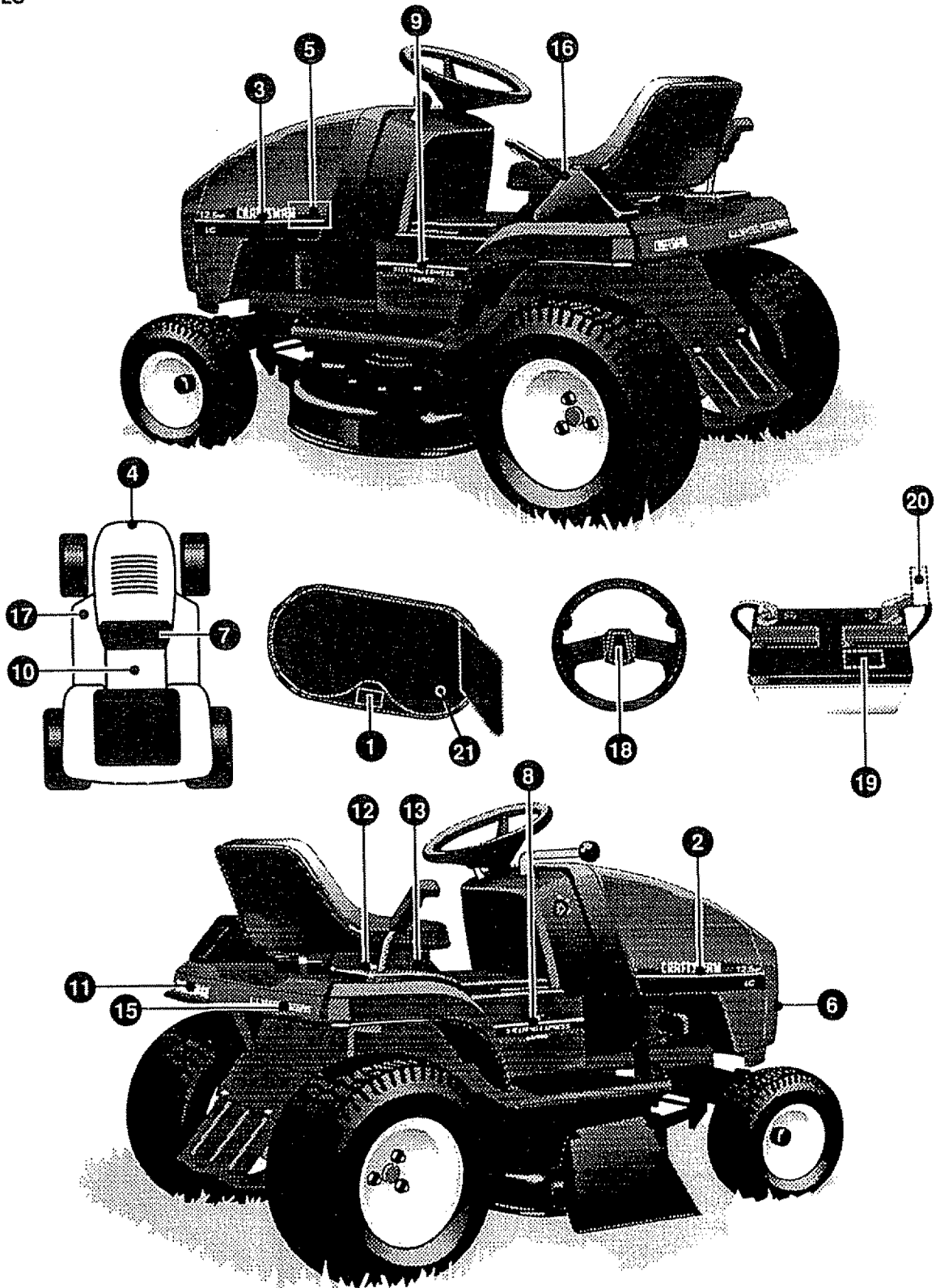
KEY#	PART#	DESCRIPTION	QTY.
1	329117	WIRE HARNESS SF	1
2	41482	PRESS CLIP, 1.380LG .255ID	2
3	303064	ASSY,LIGHT WIRE-1/4 TURN	1
4	52572	BULB, HEADLAMP	2
5	57444	TIE, CABLE BLACK NYLON 5.62L	1
6	41482	PRESS CLIP, 1.380LG .255ID	2
7	327355	SWITCH-IGN.(AFTER FIRE) 3 POSN	1
8	321692	CUP-IGNITION (OFF-ON-START)	1
9	327238	CAP-IGN INSIDE	1
10	327352	NUT, 5/8-8ACME DELTA FOR BOOT	1
11	327350	KEY,IGNITION SWITCH STL DELTA	1
12	328826	LIGHT SWITCH ON/OFF PANEL MNT	1
13	315902	AMMETER ASSY=>309973,121685,	1
14	57476	SWITCH,SCR MNT DP NC NO BLK	1
15	57220	SCREW, #12 X .50 PHPNHTAP BLK	2
16	326653	SWITCH,SNAPMNT NO .055/.116BLK	1
17	53716	SOLENOID	1
18	187745	SCREW, 1/4-20X .75 HXSEMMA	2
19	1084	WASHER, FLAT .281X1.00X.063PL	1
20	1502	NUT, 1/4-20 REGHEXCTRLK	2
21	271172	NUT, 1/4-20 REGHEXKEPS	1
22	271187	NUT, 5/16-24 HKEPS	2
23	57444	TIE, CABLE BLACK NYLON 5.62L	1
24	55511	WIRE, GROUND, 12.5"	1
25	271184	NUT, 5/16-18 HEXKEPS	1
26	57547	SWITCH, SEAT	1
27	160505	SCREW, 1/4-20X .38PHPNHMA	2
28	302257	BATTERY 12V 7 PLATE	1
29	329715	MF BATTERY BRACKET	1
30	995346	SCREW, 1/4-20X .50 WAHHTAP	1
31	120854	SCREW, 1/4-20X .63 HHC	2
32	271172	NUT, 1/4-20 REGHEXKEPS	2
33	120706	SCREW, 1/4-20X .50 HHC	1
34	46931	NUT, 1/4-20 WDFL MAC-LOCK	1
35	302031	FUSE, 15 AMP SPADE TYPE	1

WIRING SCHEMATIC



CRAFTSMAN 40" LAWN TRACTOR MODEL 536.255861

DECALS



NOTE: ALWAYS USE ORIGINAL EQUIPMENT PARTS.
Use of service/replacement parts other than original equipment parts may void your warranty.

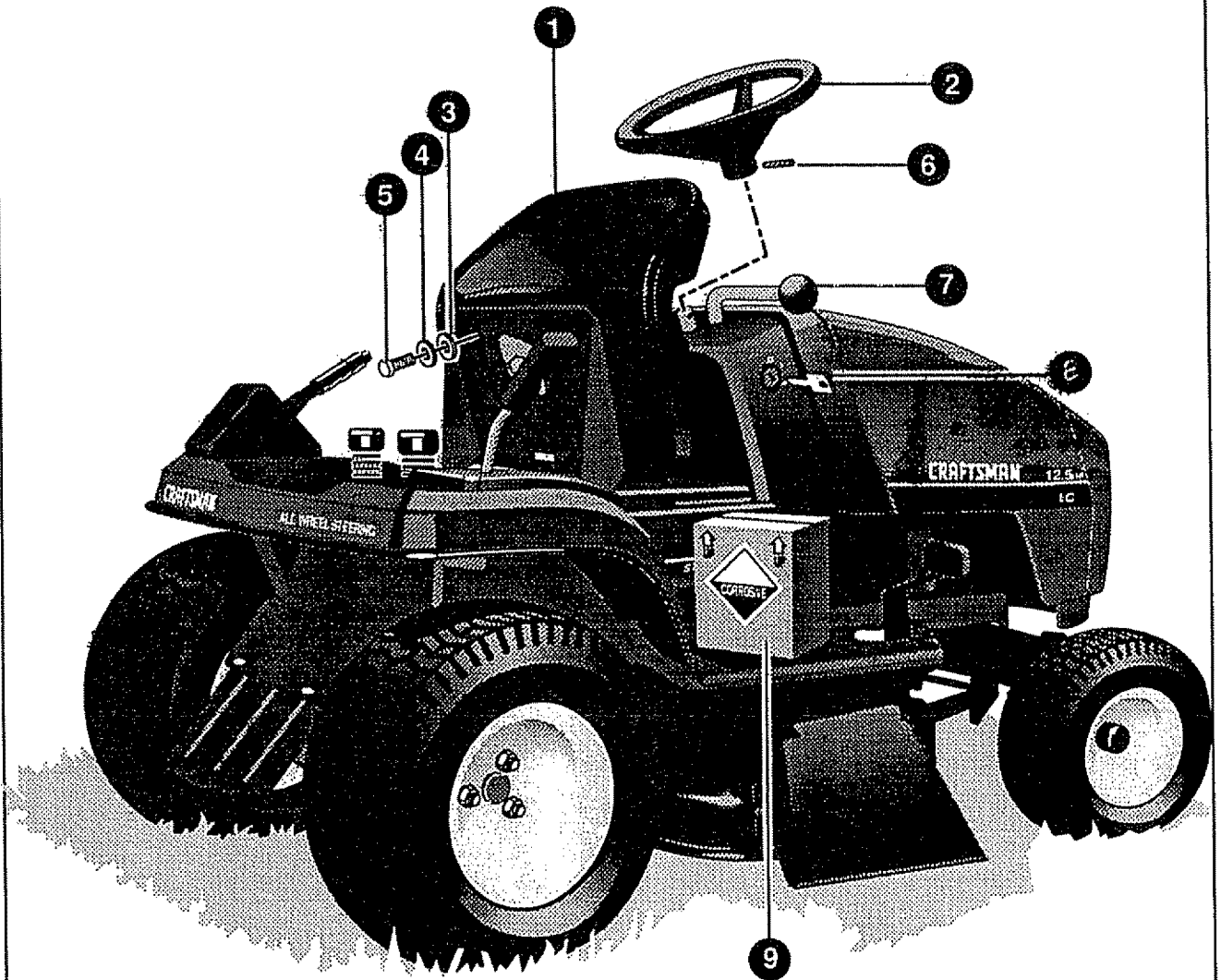
**ALL UNNUMBERED
ITEMS ARE INTERCHANGABLE
WITH OPPOSITE SIDE**

CRAFTSMAN 40" LAWN TRACTOR MODEL 536.255861

KEY#	PART#	DESCRIPTION	QTY.
1.	322896	DECAL, V-BELT SCHEMATIC, MOWER	1
2.	320860	DECAL, AWS HOOD RH SF	1
3.	320861	DECAL, AWS HOOD LH SF	1
4.	402220	DECAL, FOIL LENS REFLECTOR	1
5.	322898	DECAL, CUSTOMER RESPONSIBILITY	1
6.	320870	DECAL, GRILLE(WHITE) SF	1
7.	402212	DECAL, DASH, CRAFTSMAN SF 93	1
8.	320862	DECAL, CONSOLE RH SF	1
9.	320863	DECAL, CONSOLE LH SF	1
10.	402213	DECAL, CONSOLE WARNING SF(RED)	1
11.	320868	DECAL, FENDER(WHITE) EURO/SF	1
12.	311394	DECAL, SHIFT REV/NEUTRAL	1
13.	321842	DECAL, SHIFTER POSITION P930-5	1
14.		REFERENCE ONLY	1
15.	320869	DECAL, AWS FENDER SF	1
16.	402214	DECAL, HEIGHT ADJUST	1
17.	322897	DECAL, V-BELT SCHEMATIC, DRIVE	1
18.	322901	DECAL, CRAFTSMAN WHEEL	1
19.	402210	DECAL, BATTERY RATING SR#B	1
20.	402211	DECAL, BATTERY REQUIRED	1
21.	402157	DECAL, 3'N' 1 MOWER DECK	1

CRAFTSMAN 40" LAWN TRACTOR MODEL 536.255861

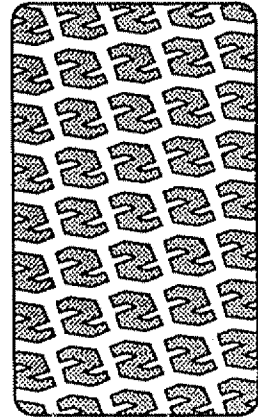
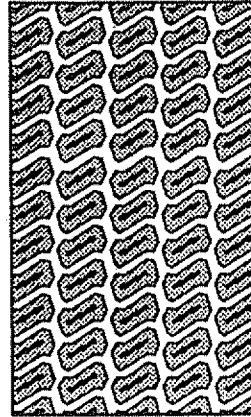
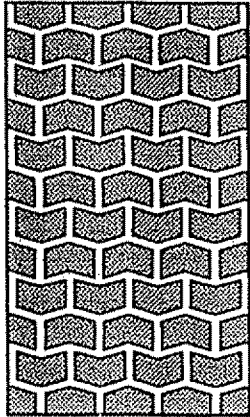
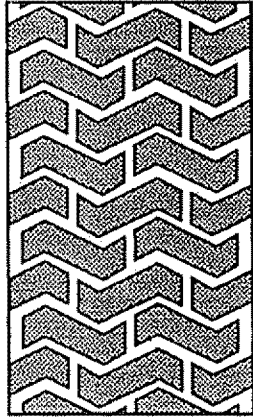
CUSTOMER ASSEMBLY



KEY#	PART#	DESCRIPTION	QTY.
1.	329054	SEAT, V340 CRAFTSMAN W/RED TRIM	1
2.	306654	WHEEL, STEERING 14" LONG 4WS LT BLK	1
3.	120393	WASHER, FLAT .344 X .69 X .065	4
4.	120368	WASHER, HVSPTLK .328 X .60 X .065	4
5.	122007	SCREW, 5/16-18 X .75 HHC	4
6.	456378	PIN, SPRING .250 DIA X 2.00 LG	1
7.	321837	KNOB, ROUND 1.50 DIA.	1
8.	327350	EXTRA KEY	1
9.	*	BATTERY ACID PACK	1

* MAY BE PURCHASED LOCALLY.

TREAD PATTERNS



"A"

"B"

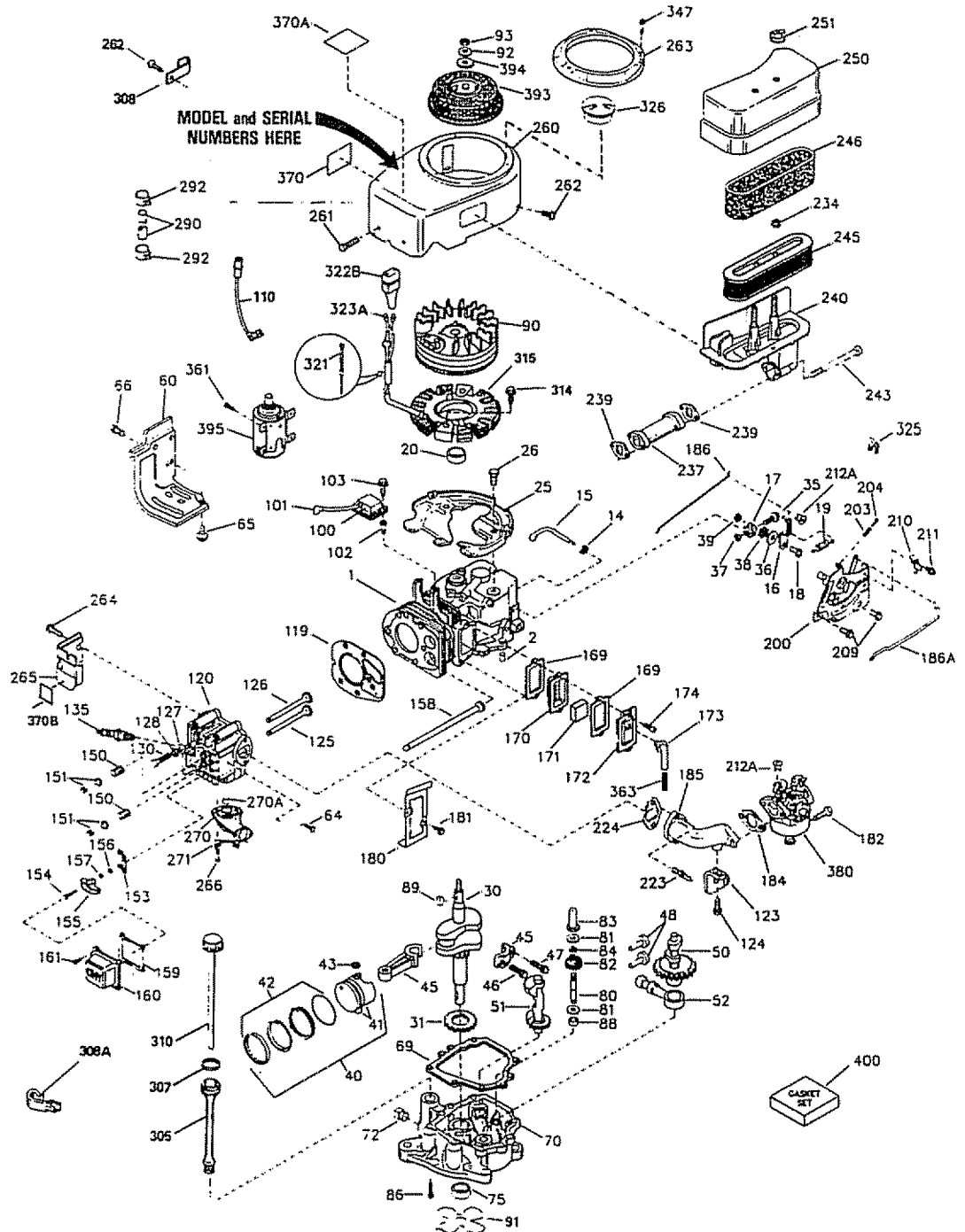
"C"

"D"

TIRE SIZE	"A"	"B"	"C"	"D"
11 X 4.00 - 5	42295	319679		
13 X 5.00 - 6	41060	319680		
15 X 6.00 - 6	39830	316702	301140	313952
16 X 6.50 - 8	41081	319682		314539
18 X 8.50 - 8	319683	317400		
18 X 9.50 - 8	41106	316701		313950
20 X 8.00 - 8	319685	319684	57164	314584
20 X 10.00 - 8	58276	319686		313654
20 X 10.00 - 10	55893	319687		
23 X 9.50 - 12	53655	319690	319689	314370

ENGINE REPAIR PARTS

ENGINE MODEL 143.436092 FOR 40" TRACTOR MODEL 536.255861



ENGINE MODEL 143.436092 FOR 40" TRACTOR MODEL 536.255861

Ref. No.	Part No.	Part Name	Ref. No.	Part No.	Part Name
1	35943	Cylinder Assy. (Incl. Nos. 2 & 20)	123	35288	Brace, Intake pipe
2	27852	Pin, Dowel	124	650738	Screw, 1/4-20 x 5/8"
14	28277	Washer, Flat	125	35308	Valve, Exhaust (Std.)
15	35324	Rod, Governor	125	35433	Valve, Exhaust (1/32" oversize)
16	36284	Lever, Governor	126	35309	Valve, Intake (Std.)
17	29916	Clamp, Governor lever	126	35432	Valve, Intake (1/32" oversize)
18	650548	Screw, 8-32 x 5/16"	127	650691	Washer, Flat
19	35945	Spring, Extension	128	650690	Washer, Belleville
20	35319	Seal, Oil	130	650946	Screw, 5/16-18 x 2-45/64"
25	35326	Baffle, Blower housing	135	34645	Resistor Spark Plug (Champion RN-4C or equivalent)
26	650561	Screw, 1/4-20 x 5/8"	150	33507	Spring, Valve
30	35336B	Crankshaft Assy. (Counterbalance)	151	33508	Cap, Valve spring keeper
31	35327	Gear, Counterbalance	153	35949	Guide, Push rod
35	29826	Screw, 10-32 x 3/4"	154	650945	Stud, Rocker arm
36	29918	Washer, E.T. Lock	155	35950	Arm, Rocker
37	29216	Nut & Lockwasher, 10-32 Keps	156	650890	Washer, Internal
38	29642	Ring, Retaining	157	650947	Nut, Hex
39	30322	Locknut Hex "Keps", 8-32	158	35951	Rod, Push
40	35776	Piston, Pin & Ring Assy. (Std.)(Incl. Nos. 41, 42 & 43)	159	*35952	Gasket, Rocker Arm Cover
40	35777	Piston, Pin & Ring Assy. (.010" oversize) (Incl. Nos. 41, 42 & 43)	160	35953A	Cover, Rocker arm housing
40	35778	Piston, Pin & Ring Assy. (.020" oversize) (Incl. Nos. 41, 42 & 43)	161	30063	Screw, Torx T-30, 1/4-20 x 1/2"
41	35773	Piston & Pin Assy. (Std.)(Incl. No. 43)	169	*27896A	Gasket, Breather cover
41	35774	Piston & Pin Assy. (.010" oversize) (Incl. No. 43)	170	28423	Body, Breather
41	35775	Piston & Pin Assy. (.020" oversize) (Incl. No. 43)	171	28424	Element, Breather
42	35779	Ring Set, Piston (Std.)	172	28425	Cover, Valve spring box
42	35780	Ring Set, Piston (.010" oversize)	173	35350	Tube, Breather
42	35781	Ring Set, Piston (.020" oversize)	174	650128	Screw, 10-24 x 1/2"
43	35772	Ring, Piston pin retaining	180	35954	Extension, Blower housing
45	35330A	Rod Assy., Connecting (Incl. Nos. 46 & 47)	181	30200	Screw, 10-24 x 9/16"
46	650908	Bolt, Connecting rod	182	650517	Screw, 1/4-20 x 27/32"
47	650882	Bolt, Connecting rod	184	*33263	Gasket, Carburetor to intake pipe
48	35313	Lifter, Valve	185	35955	Pipe, Intake
50	35939	Camshaft Assy. (Mech. Compression Release)	186	36285	Link, Governor
51	35315A	Weight Assy., Counterbalance	186A	35957	Link, Choke
52	31356	Pump Assy., Oil	200	35956	Bracket Assy., Control (Incl. Nos. 203 & 204)
60	35316A	Extension, Blower housing	203	33802	Spring, Compression
64	30063	Screw, T-30, 1/4-20 x 1/2"	204	650777	Screw, 6-32 x 21/32"
65	650128	Screw, 10-24 x 1/2"	209	650902	Screw, 10-32 x 7/16"
66	30063	Screw, 1/4-20 x 1/2"	210	27793	Clip, Conduit
69	*35317	Gasket, Mounting flange	211	28942	Screw, 10-32 x 3/8"
70	35711A	Flange, Mounting (Incl. Nos. 72, 75 & 80)	212A	36288	Link, Bushing
72	31927	Plug, Oil drain	223	650981	Stud, Intake pipe
75	35319	Seal, Oil	224	*35958	Gasket, Intake pipe
80	35712	Shaft, Governor	234	650825	Nut & Lockwasher, 1/4-20 (Sealing)
81	35479	Washer, Flat	237	35286	Adapter, Air cleaner
82	35321	Gear Assy., Governor	239	*33629	Gasket, Air cleaner elbow
83	35322	Spool, Governor	240	35960	Body Assy., Air cleaner (Incl. No. 239)
84	29193	Ring, Retaining	243	650875	Screw, 10-32 x 5-1/4"
86	650833	Screw, 1/4-20 x 1-3/16"	245	35403	Element, Air cleaner (Incl. No. 251)
88	31707A	Spacer, Governor gear	246	35404	Filter, Poly Pre-cleaner
89	32589	Key, Flywheel	250	35961	Cover, Air cleaner
90	611094	Flywheel (7 amp, w/ring gear)	251	650886	Nut, Wing, 1/4-20
91	35935	Fan, Crankshaft	260	35964	Housing, Blower
92	650880	Washer, Lock	261	30063	Screw, Torx T-30, 1/4-20 x 1/2"
93	650881	Nut, Flywheel	262	29747B	Screw, 5/16-24 x 21/32"
100	35135	Solid State Assy.	263	35963	Ring, Blower Housing
101	610118	Cover, Spark plug	264	650273	Screw, 5/16-18 x 5/8"
102	650872	Stud, Solid state assy.	265	35959	Cover, Cylinder head
103	650814	Screw, Torx T-15, 10-24 x 1"	266	650876	Screw, 5/16-18 x 1-1/4"
110	36225	Wire Assy., Ground	270	35870	Manifold Assy., Exhaust
119	*35946	Gasket, Cylinder head	270A	35829A	Liner, Exhaust Port
120	35948	Head Assy., Cylinder	271	35293	Plate, Lock (Manifold)

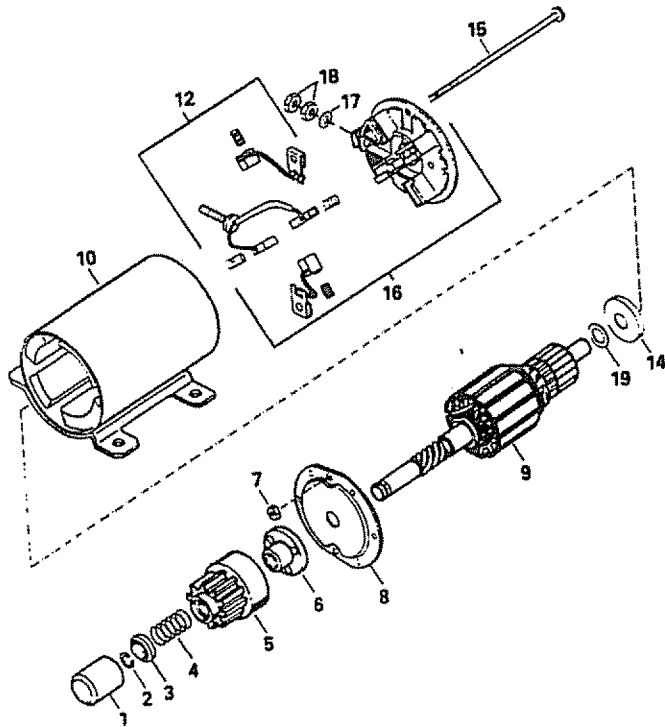
*Indicates Part Included in Gasket Set, Ref. No. 400.

ENGINE MODEL 143.436092 FOR 40" TRACTOR MODEL 536.255861

Ref. No.	Part No.	Part Name	Ref. No.	Part No.	Part Name
290	30705	Line, Fuel	363	34148	Spring, Coil
292	26460	Clamp, Fuel line	370	36261	Decal, Lubrication
305	35574	Tube, Oil fill	370A	36287	Decal, Instruction
307	35499	"O" Ring	370B	35274	Decal, Instruction
308	33397	Clip, Oil fill tube	380	632684	Carburetor (Incl. No. 184)
308A	35437	Clip, Oil fill tube	393	35962	Cup & Screen
310	35576	Dipstick, Oil	394	650948	Washer, Flat
314	650873	Screw, 1/4-20 x 3/4"	395	35763A	Starter Motor (12 Volt)
315	611104	Coil Assy., Alternator (3 Amp D.C., 5 Amp A.C. (Incl. Nos. 321, 322B & 323A))	400	35947	Gasket Set (Incl. items marked *)
321	611161	Diode Assy.			RPM Settings:
322B	611142	Connector Body			High Speed: 3150 - 3450
323A	611118	Terminal, Pin			Low Speed: 1950 - 2250
325	34246	Clip, Wire			
326	36210	Plug, Screen			*Indicates Parts Included in Gasket Set, Ref. No. 400.
347	650949	Screw, 10-32 x 9/16"			
361	30063	Screw, Torx T-30, 1/4-20 x 1/2"			

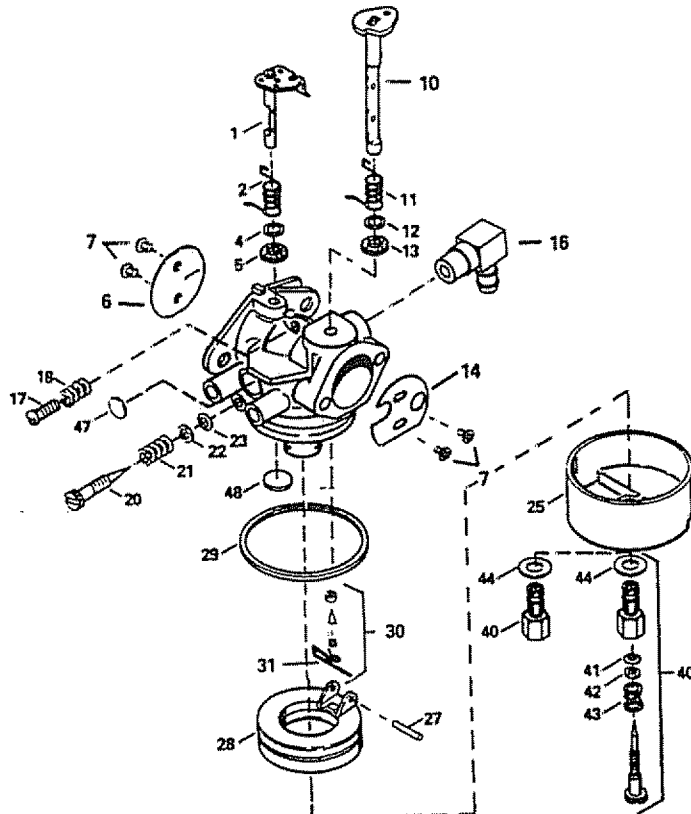
ENGINE MODEL 143.436092 FOR 40" TRACTOR MODEL 536.255861

STARTER MOTOR NO. 35763A



Ref. No.	Part No.	Part Name
	35763A	Starting Motor, Complete
1	33451	Cover, Dust
2	33842	Ring, Retainer
3	33430	Retainer, Spring
4	33854	Spring, Anti-drift
5	33432	Gear
6	35893	Nut & Retainer (Incl. No. 2)
7	33450	Nut, Lock
8	35894	Cap Assy., Drive end
9	35895	Armature
10	35900	Housing Assy.
12	35896	Brush & Spring Kit
14	35897	Washer, Thrust
15	35898	Bolt, 10-32 x 4-11/64
16	35899	Cap & Brush Card Assy., Commutator End (Incl. Nos. 12, 14, 17 & 18)
17	650168	Washer, Flat
18	650864	Nut, Hex
19	590500	Washer, Thrust

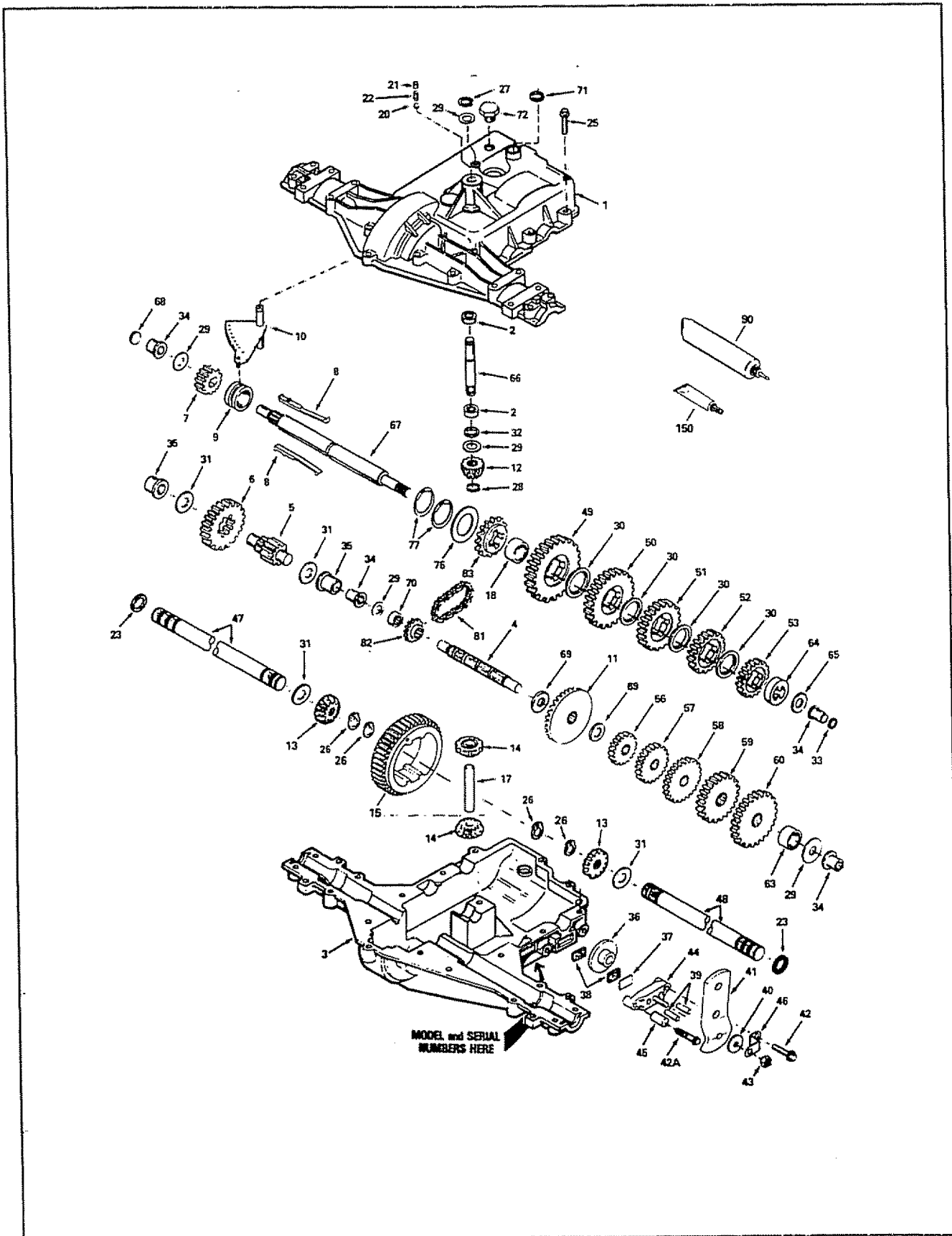
CARBURETOR NO. 632684



Ref. No.	Part No.	Part Name
1	632512	Throttle Shaft & Lever Assy.
2	632244	Throttle Return Spring
4	631184	Dust Seal Washer (Throttle)
5	631183	Dust Seal (Throttle)
6	632517	Throttle Shutter
7	650506	Throttle & Choke Shutter Screw
10	632472	Choke Shaft & Lever Assy.
11	632473	Choke Return Spring
12	631184	Dust Seal Washer (Choke)
13	631183	Dust Seal (Choke)
14	632514	Choke Shutter
16	631775	Fuel Fitting
17	650417	Idle Speed Screw
18	630766	Tension Spring
20	*632281	Idle Mixture Screw
21	630766	Idle Tension Spring
22	630739	Washer, Idle Screw
23	*630740	O Ring, Idle Screw
25	631867	Float Bowl
27	*631024	Shaft, Float
28	632019	Float
29	*631028	O Ring, Float Bowl to Body
30	*631021	Inlet Needle, Seat & Clip (Incl. No. 31)
31	631022	Spring Clip
40	*632239	Main Adj. Screw Assy. (Incl. Nos. 41 thru 44)
41	*630740	O Ring, High Speed Mixture Screw
42	630739	Washer, High Speed Mixture Screw
43	630738	Tension Spring, High Speed Mixture Screw
44	*27110	Bowl Nut Washer
47	*630748	Welch Plug, Idle Mixture Well
48	*631027	Welch Plug, Atmospheric Vent
60	632347	Repair Kit (Incl. Parts Marked with *)

TRANSAXLE REPAIR PARTS

PEERLESS TRANSAXLE MODEL 930-045 FOR 40" TRACTOR MODEL 536.255861



PEERLESS TRANSAXLE MODEL 930-045 FOR 40" TRACTOR MODEL 536.255861

Key No.	Part No.	Description	Key No.	Part No.	Description
1	772108A	Cover, Transaxle	43	792075	Nut, Lock, 5/16-24
2	780086	Bearing, Needle	44	790025	Holder, Brake pad
3	770102A	Case, Transaxle	45	786066	Spacer
4	776260	Shaft, Counter	46	786086	Brake Lever Bracket
5	776219A	Shaft & Pinion Assembly, Output	47	774951	Axle (8-15/16" long)
6	778139	Gear, Output	48	774952	Axle (13-17/32" long)
7	778136	Gear, Spur (15 teeth)	49	778183	Gear, Spur (35 teeth)
8	792136	Key	50	778124A	Gear, Spur (30 teeth)
9	784352	Collar, Shifter	51	778250	Gear, Spur (27 teeth)
10	784355	Rod & Fork Assembly, Shift	52	778123A	Gear, Spur (25 teeth)
11	778229	Gear, Bevel (42 teeth)	53	778121A	Gear, Spur (20 teeth)
12	778113A	Bevel Pinion, Input	56	778193	Gear, Spur (15 teeth steel)
13	778221	Gear, Bevel (16 Teeth)	57	778126A	Gear, Spur (20 teeth)
14	778068	Gear, Bevel Pinion	58	778249	Gear, Spur (23 teeth)
15	778260	Gear, Ring	59	778127A	Gear, Spur (25 teeth)
17	786139	Pin, Drive	60	778129A	Gear, Spur (30 teeth)
18	786102	Spacer	63	786071	Countershaft Spacer
20	792077	Ball, Steel (5/16" Dia.)	64	786072	Output Shaft Spacer
21	792078	Set Screw, 3/8-16 x 3/8	65	780109	Washer
22	792079	Spring	66	776135	Input Shaft
23	788061	Ring, Seal	67	776315A	Shifter & Brake Shaft
25	792073	Screw, Flanged Hex Hd, Thread forming, 1/4-20 x 1-1/4	68	786116	Disk
26	792125	Ring, Retainer (Pkg. of 2)	69	780051	Washer
27	792035	Ring, Retainer	70	786118	Spacer
28	788040	Ring, Retainer	71	788069	Square Cut Ring
29	780072	Washer, Thrust	72	792074	Threaded Plug
30	780108	Washer, Thrust	76	780090	Washer
31	780001	Washer	77	788078A	Inverted Retaining Ring (pkg. of 2)
32	792001	"O" Ring	81	786062A	Roller Chain (No. 41 chain, 22 links)
33	788051	Seal, Square cut	82	786061	Sprocket (10 teeth)
34	780105A	Bushing, Flanged	83	786124	Reverse Sprocket (14 teeth)
35	780118A	Bushing, Flanged	90	788067B	Grease (32 oz. btl. Bentonite grease)
36	790003	Disk, Brake	150	510334	Gasket Eliminator (Loctite #515)
37	790007	Plate, Brake pad			
38	79021	Pad, Brake (Pkg. of 2)			
39	786026	Pin, Dowel			
40	792076A	Washer, Flat			
41	790023A	Lever, Brake			
42	792073	Screw, 1/4-20 x 1-1/4 "			
42A	792085	Screw, Flanged Hex Hd, Thread forming, 1/4-20 x 2-1/4			

* THIS TRANSAXLE'S CAPACITY IS 24 OZ.

NOTES

NOTES

SEARS

**OWNER'S
MANUAL**

**MODEL NO.
536.255861**

**HOW TO ORDER
REPAIR PARTS**

CRAFTSMAN®

**12.5 HORSEPOWER
ALL-WHEEL STEER
40" MOWER DECK
5-SPEED TRANSAXLE
LAWN TRACTOR**

Each tractor has its own model number. Each engine has its own model number.

The Model Number for your tractor will be found on the model plate located under the seat.

The model number for your engine will be found on the blower housing of the engine.

All parts may be ordered through Sears, Roebuck and Company Service Centers and most Retail Stores.

WHEN ORDERING REPAIR PARTS, ALWAYS GIVE THE FOLLOWING INFORMATION:

- **PRODUCT - LAWN TRACTOR**
- **MODEL NUMBER - 536.255861**
- **ENGINE MODEL NUMBER - 143.436092**
- **PART NUMBER**
- **PART DESCRIPTION**

Your Sears merchandise has added value when you consider Sears has service units nationwide staffed with Sears trained technicians... professional technicians specifically trained to insure that we meet our pledge to you, we service what we sell.

SEARS, ROEBUCK AND CO., D/817WA, HOFFMAN ESTATES, IL 60179

Free Manuals Download Website

<http://myh66.com>

<http://usermanuals.us>

<http://www.somanuals.com>

<http://www.4manuals.cc>

<http://www.manual-lib.com>

<http://www.404manual.com>

<http://www.luxmanual.com>

<http://aubethermostatmanual.com>

Golf course search by state

<http://golfingnear.com>

Email search by domain

<http://emailbydomain.com>

Auto manuals search

<http://auto.somanuals.com>

TV manuals search

<http://tv.somanuals.com>