

## Operator's Manual

# CRAFTSMAN®

## Mid-Engine Rider

**13.5 HP. Electric Start  
30" Mower / Mulcher  
Hydrostatic Drive**

**Model 536.270280**

**CAUTION:** Before using this product, read this manual and follow all of its Safety Rules and Operating Instructions.

---

**Manual del usuario**

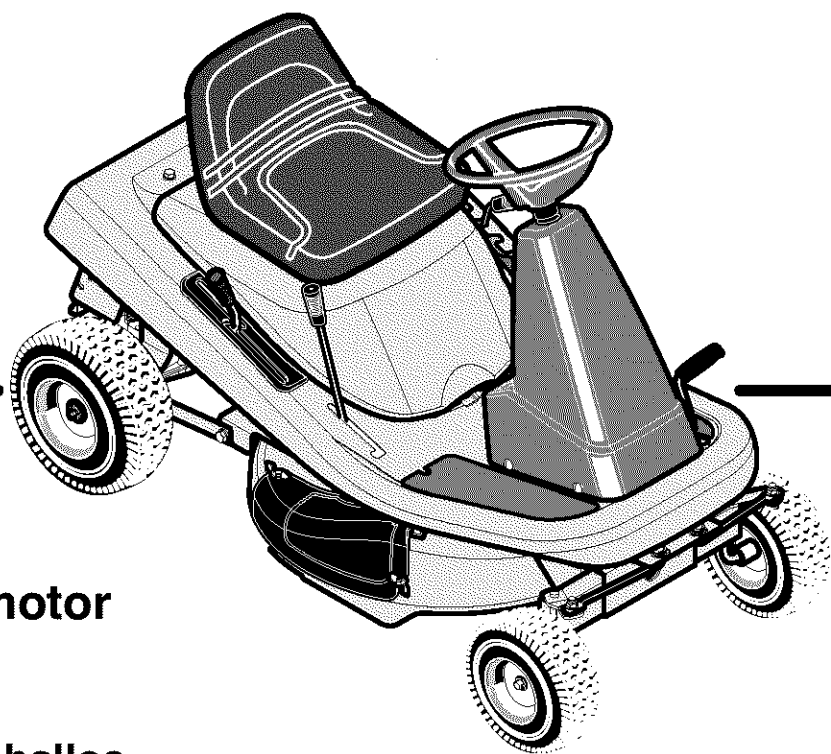
## Tractor cortacésped con motor situado detrás del asiento

**Arranque eléctrico de 13,5 caballos  
Cortacésped / trituradora de 76 cm.  
Transmisión hidrostática**

**Modelo 536.270280**

**PRECAUCIÓN:** Antes de usar este producto, lea este manual y siga todas las reglas de seguridad e instrucciones de operación.

- Safety
- Operation
- Maintenance
- Parts



- Seguridad
- Operación
- Mantenimiento
- Piezas

---

**Sears, Roebuck and Co., Hoffman Estates, IL. 60179 U.S.A.**

# TABLE OF CONTENTS

WARRANTY .....	2	MAINTENANCE .....	19
PRODUCT SPECIFICATIONS .....	3	SERVICE AND ADJUSTMENT .....	25
SAFETY RULES .....	4	TROUBLE SHOOTING CHART .....	34
PREPARATION .....	7	SLOPE GUIDE .....	37
OPERATION .....	10	REPAIR PARTS .....	38

## LIMITED WARRANTY ON CRAFTSMAN RIDING EQUIPMENT

For two (2) years from the date of purchase, if this Craftsman Riding Equipment is maintained, lubricated and tuned up according to the instructions in the owner's manual, Sears will repair or replace free of charge any parts that are found to be defective in material or workmanship according to the guidelines of coverage listed below.

Sears will also provide free labor for these applicable warranted parts for the two full years. During the first 30 days of purchase, there will be no charges to service the product at your home for issues covered by this warranty. (See exclusions below).

For your convenience, IN HOME warranty service will still be available after the first 30 days of purchase, but a trip charge will apply. This charge will be waived if the Craftsman product is dropped off at an authorized Sears location. For the nearest authorized Sears location, please call 1-800-4-MY-HOME®. This warranty applies only while this product is within the United States.

This Warranty does not cover:

- Expendable items which become worn during normal use, including but not limited to blades, spark plugs, air cleaners, belts, and oil filters.
- Standard Maintenance Servicing, oil changes, or tune-ups
- Tire replacement or repair caused by punctures from outside objects, such as nails, thorns, stumps or glass.
- Repairs necessary because of operator abuse, including but not limited to, damage caused by towing objects beyond the capability of the riding equipment, impacting objects that bend the frame or crankshaft, or over-speeding the engine.
- Repairs necessary because of operator negligence, including but not limited to, electrical and mechanical damage caused by improper storage, failure to use the proper grade and amount of engine oil, failure to keep the deck clear of flammable debris, or failure to maintain the equipment according to the instructions contained in the owner's manual.
- Engine (fuel system) cleaning or repairs caused by fuel determined to be contaminated or oxidized (stale). In general, fuel should be used within 30 days of its purchase date.
- Normal deterioration and wear of the exterior finishes, or product label replacement.
- Riding equipment used for commercial or rental purposes.

## LIMITED WARRANTY ON BATTERY

For ninety (90) days from date of purchase, if any battery included with this riding equipment proves defective in material or workmanship and our testing determines the battery will not hold a charge, Sears will replace the battery at no charge. During the first 30 days of purchase, there will be no charges to replace the battery at your home. After the first 30 days, for your convenience, IN-HOME warranty service will still be available but a trip charge will apply. This charge will be waived if the Craftsman product is dropped off at an authorized Sears location. For the nearest authorized Sears location, please call 1-800-4-MY-HOME®. This Warranty applies only while this product is within the United States. This warranty gives you specific legal rights, and you may also have other rights, which vary, from state to state.

Sears, Roebuck and Co., Dept. 817WA, Hoffman Estates, IL 60179

Congratulations on your purchase of a Craftsman Mid-Engine Rider. It has been designed, engineered and manufactured to give you the best possible dependability and performance.

If you experience any problems you cannot easily remedy, please see your nearest Sears Service Center. We have competent, well trained technicians and the proper tools to service or repair this unit.

Please read and keep this manual. The instructions will enable you to assemble and maintain your unit properly. Always observe the "Safety Rules".

## PRODUCT SPECIFICATIONS

Engine .....	13.5 HP.
Charging System .....	3 amperes at 3600 rpm
Fuel Tank Size .....	1.1 gallon
Type of Fuel .....	Unleaded Regular
Oil Capacity .....	48 ounces (3 pints)
Oil Type .....	Above 32 degrees SAE 30
.....	Below 32 degrees SAE 5W30
Spark Plug (Gap 0.030") ..	Champion RJ4C
Tire Air Pressure .....	Front 22 psi (See tire sidewall)
Tire Air Pressure .....	Rear 14 psi (See tire sidewall)
Drive System .....	Hydrostatic
Ground Speed Range .....	Forward 5.0 mph
.....	Reverse 2.5 mph
Tilt Seat .....	Access to engine and battery.
Mower Housing .....	Full-floating suspension, one blade.
Cutting Height .....	6 positions from 1 1/2 to 4 inches.
Blade Nut Torque .....	30 foot-pounds (ft-lbs)

### Craftsman Mid-Engine Rider

Record in the space below the serial number and the date of purchase of this unit.

The model number and serial number are found on a decal attached to the unit.

Model Number: 536.270280

Serial Number: \_\_\_\_\_

Date of Purchase: \_\_\_\_\_

Keep these numbers for future reference.

## REPAIR PROTECTION AGREEMENT

A Repair Protection Agreement is available on this unit. See the nearest Sears Store for information.



### WARNING:



Engine Exhaust, some of its constituents, and certain vehicle components contain or emit chemicals known to the State of California to cause cancer and birth defects or other reproductive harm.

Battery posts, terminals and related accessories contain lead and lead compounds, chemicals known to the State of California to cause cancer and birth defects or other reproductive harm. WASH HANDS AFTER HANDLING.

**NOTE:** This unit is equipped with an internal combustion engine and must not be used on or near any unimproved forest-covered, brush-covered or grass-covered land unless the engine's exhaust system is equipped with a spark arrester meeting applicable local or state laws (if any). If a spark arrester is used, it must be maintained in effective working order by the operator.

In the State of California, the above is required by law (Section 4442 of the California Public Resources Code). Other states may have similar laws. Federal laws apply on federal lands. See a Sears Service Center for a spark arrester for the muffler.

In some areas, local law requires the use of a resistor spark plug to control the ignition signals. See a Sears Service Center for a resistor spark plug for the engine.

**NOTE:** Actual sustained horsepower will likely be lower due to operating limitations and environmental factors.

---

# SAFETY RULES

---

## SAFETY RULES

### Safe Operation Practices for Ride-on Mowers



**WARNING:** This cutting machine is capable of amputating hands and feet and throwing objects. Failure to observe the following safety instructions could result in serious injury or death.

#### I. General operation

1. Read, understand and follow all instructions in the Instruction Book, on the machine, the engine and with any attachments before starting.
2. Only allow responsible adults, who are familiar with the instructions, to operate the machine.
3. Clear the area of objects such as rocks, toys, wire, etc., which could be picked up and thrown by the blade.
4. Be sure the area is clear of other people before mowing. Stop the machine if anyone enters the area.
5. Never carry passengers.
6. Turn off power to the blades or any attachments before backing up. Do not mow in reverse unless absolutely necessary. Always look down and behind before and while backing.
7. Be aware of the mower discharge direction and do not point it at anyone. Do not operate the mower without either the entire grass bagger or the mower guard in place.
8. Slow down before turning.
9. Never leave a machine unattended with the engine running. Always turn off the blade(s), set the parking brake, stop the engine and remove the key before dismounting.
10. Turn off power to attachment(s) when transporting or not in use. Turn off the blade(s) when not mowing.
11. Stop the engine before removing the grass bagger or unclogging the chute.
12. Mow only in daylight or good artificial light.
13. Do not operate the machine while under the influence of alcohol or drugs or when very tired.
14. Watch for traffic when operating near or crossing roadways.
15. Use extra caution when loading or unloading the machine into a trailer or truck.
16. Disengage all attachment clutches and shift into Neutral before attempting to start the engine.
17. Always wear goggles, safety glasses, or an eye shield when you operate the unit to protect your eyes from foreign objects that can be thrown from the unit. Always wear eye protection when you make an adjustment or repair to the machine.
18. Use care when pulling loads or using heavy equipment.
  - a. Use only approved drawbar hitch points.
  - b. Limit loads to those you can safely control.
  - c. Do not turn sharply. Use care when backing.
  - d. Use counterweights or wheel weights when suggested in the Instruction Book.
19. Do not operate this machine if you are taking drugs or other medication which can cause drowsiness or affect your ability to operate this machine.
20. Do not use this machine if you are mentally or physically unable to operate this machine safely.

21. Data indicates that operators, age 60 years and above, are involved in a large percentage of riding mower related injuries. These operators should evaluate their ability to operate a riding mower safely enough to protect themselves and others from serious injury.

#### II. Slope operation

**Slopes and rough terrain are major factors related to loss-of-control and tip-over accidents, which can result in severe injury or death. ALL slopes require extra caution. If you cannot back up the slope or if you feel uneasy on the slope, do not mow it. See the "Slope Guide" in the back of this book to check for safe operation.**

##### DO

1. Mow up and down slopes, not across.
2. Remove obstacles such as rocks, limbs, etc...
3. Watch for holes, ruts or bumps. Uneven terrain could overturn the machine. *Tall grass can hide obstacles.*
4. Follow the manufacturer's recommendations for wheel weights or counterweights to improve stability.
5. Use extra care with grass baggers or other attachments, they can change the stability of the machine.
6. Keep all movement on the slopes **slow and gradual**. Do not make sudden changes in speed or direction.
7. Avoid starting or stopping on a slope. If tires lose traction, turn off the blades and proceed slowly **straight down** the slope.

##### DO NOT

1. **Do not** turn on slopes unless absolutely necessary, then only turn slowly and gradually downhill, if possible.
2. **Do not** mow drop-offs, ditches or embankments. A wheel over the edge or an edge caving in could cause a sudden overturn and an injury or death.
3. **Do not** mow on wet grass. Reduced traction could cause sliding.
4. **Do not** try to stabilize the machine by putting your foot on the ground.
5. **Do not** use a grass bagger or other rear mounted accessories on steep slopes (greater than 10 degrees).

#### III. Children

**Tragic accidents can occur if the operator is not alert to the presence of children. Children are often attracted to the machine and the mowing activity. NEVER assume that children will remain where you last saw them.**

1. Keep children out of the mowing area and in the watchful care of another responsible adult.
2. Be alert and turn the engine off if children enter the area.
3. Before and when backing, look **behind and down** for small children.

---

# SAFETY RULES

---

4. Never carry children or any passengers, even with the blades off. They may fall off and be seriously injured or interfere with the safe operation of the machine.
5. Never allow children to operate the machine. Instruct children in the potential dangers of the machine.
6. Use extra care when approaching blind corners, shrubs, trees or other objects that may obscure vision.
6. Stop and inspect the equipment if you strike an object. Repair, if necessary, before restarting.
7. Never make adjustments or repairs with the engine running. The carburetor can be adjusted with the engine running. Do not change the engine governor settings or over-speed the engine.

## IV. Service

1. Use extra care when handling gasoline and other fuels. Fuels are flammable and the vapors are explosive.
  - a. Use only an approved container.
  - b. Never remove the gas cap or add fuel with the engine running. Allow the engine to cool for several minutes before refueling. Do not smoke.
  - c. Never refuel the machine indoors.
  - d. Never store the machine with fuel in the tank or fuel container inside where there is an open flame, such as a water heater.
2. Never start or run the engine inside a closed area.
3. Keep all nuts and bolts, especially the blade attachment nuts tight. Frequently check the blade(s) for wear or damage such as cracks and nicks. A blade that is bent or damaged must be immediately replaced with an original equipment blade from an authorized service dealer. For safety, replace the blade every two years. Keep the equipment in good condition.
4. Never tamper with the safety devices. Check their proper operation regularly.
5. To reduce fire hazards, keep the machine free of grass, leaves or other debris build-up. Clean up oil or fuel spills. Allow the machine to cool before storing.
8. Grass bagger components are subject to wear, damage and deterioration, which could expose moving parts or allow objects to be thrown. For storage, always make sure the grass bag is empty. Frequently check components and replace with manufacturer's recommended parts when necessary.
9. Mower blade(s) are sharp and can cut. Wrap the blade(s) or wear gloves and use extra caution when servicing them or the blade housing area.
10. Check the brake operation frequently. Adjust and service as required.
11. Wait for all movement to stop before servicing any part of the unit.

## RESPONSIBILITY OF THE OWNER

### Environmental Awareness

- Do not fill the engine's fuel tank completely full.
- Drain fuel for off-season storage.
- Use only unleaded gasoline.
- Service the air cleaner regularly.
- Change oil regularly. Use 30W oil in summer.
- Tune-up the engine regularly.
- Keep equipment in efficient operating condition.
- Dispose of used engine oil properly.



**Look for this symbol to indicate important safety precautions. This symbol indicates: "Attention! Become Alert! Your Safety Is At Risk."**

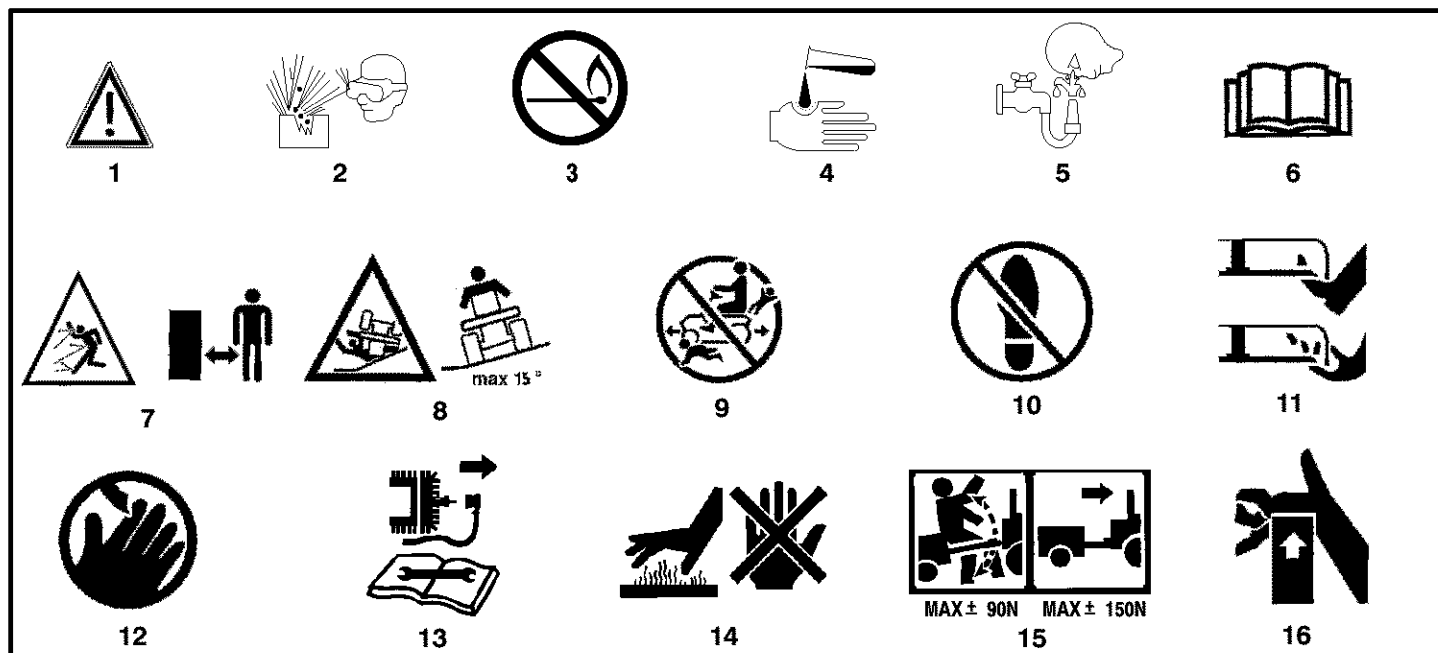
# SAFETY RULES

## INTERNATIONAL PICTORIALS

**IMPORTANT:** Some of the following pictorials are located on your unit or on literature supplied with the product. Before you operate the unit, learn and understand the purpose for each pictorial.

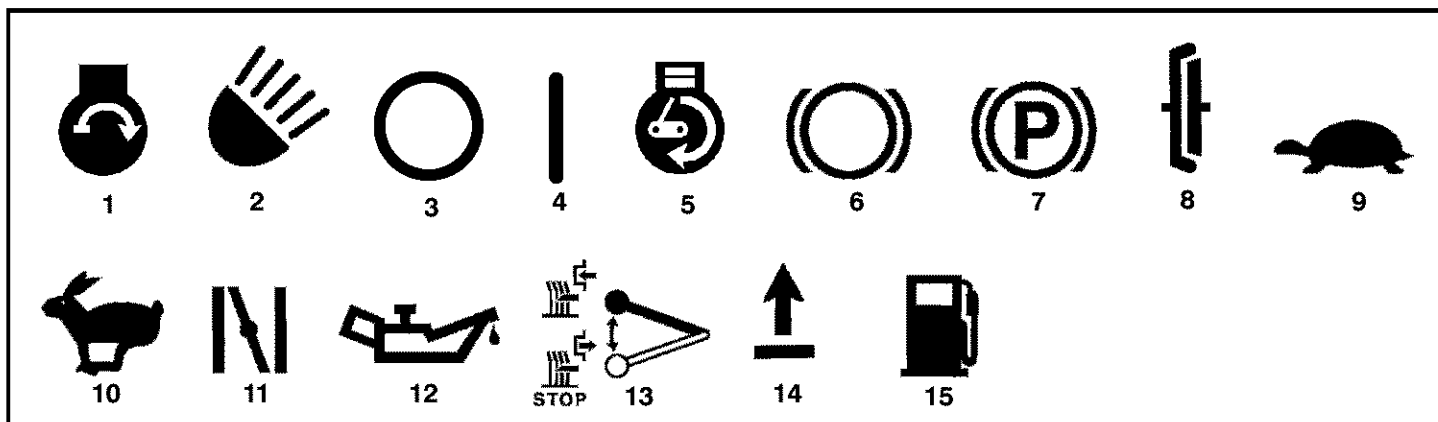
### Safety Warning Pictorials

- |   |  |   |
|---|--|---|
| 1 Warning   | 5 Flush Eyes Immediately With Water. Get Medical Help Fast.  | 10 DANGER: No Step.   |
| 2 Shield Eyes. Explosive Gases Can Cause Blindness Or Injury. | 6 IMPORTANT: Read Owner's Manual Before Operating This Machine.  | 11 DANGER: Keep Feet And Hands Away From Rotating Blade.              |
| 3 No Sparks, Flames or Smoking.                               | 7 WARNING: Thrown Objects. Keep Bystanders Away. Read User Instructions Before Operating This Machine. | 12 DANGER: Keep Hands Away From Rotating Blade.                       |
| 4 Sulphuric Acid Can Cause Blindness Or Severe Burns          | 8 WARNING: Do Not Use This Machine On Slopes Greater Than 15 Degrees.                                  | 13 DANGER: Disconnect Spark Plug Wire Before Servicing Unit.          |
|   | 9 DANGER: Keep People, Especially Children, Away From Unit.  | 14 WARNING: Hot Surface.  |
|   |  | 15 WARNING: Use Caution When Connecting Or Disconnecting Accessories. |
|   |  | 16 WARNING: Crushed Fingers.  |



### Control And Operating Pictorials

- |                |                 |                           |
|----------------|-----------------|---------------------------|
| 1 Engine Start | 6 Brake         | 11 Choke                  |
| 2 Lights       | 7 Parking Brake | 12 Oil                    |
| 3 Engine Stop  | 8 Clutch        | 13 Blade Rotation Control |
| 4 Engine Stop  | 9 Slow          | 14 Raise                  |
| 5 Engine Run   | 10 Fast         | 15 Fuel                   |



---

# PREPARATION

---

## PREPARATION

Read and follow the preparation instructions for your mower. All fasteners are in the parts bag. Do not discard any parts or material until the unit is assembled.

**NOTE:** In this instruction book, left and right describe the location of a part from the viewpoint of someone setting in the operator's seat.



**WARNING:** Before doing any preparation or maintenance to the mower, remove the wire from the spark plug.

## HOW TO REMOVE FROM THE CARTON

To remove the unit from the carton, follow the instructions below.

1. Locate the two tear tabs at the top of the carton.
2. Pull the tear tape no more than twelve inches at a time.
3. Re-grasp the tear tape next to the carton and pull again.
4. One the tear tape has been completely removed from both ends, remove the top wood and set aside.
5. Repeat the process on the tear tabs at the bottom of the carton.
6. Set the panels aside.
7. Move the shift lever to the neutral (N) position.

**NOTE:** See the Operation section, page 10, for the location of the controls.

8. If the parking brake is engaged, completely depress the clutch/brake pedal to release the brake.
9. Move the lift lever to the highest position.

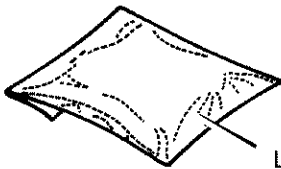
**CAUTION:** Check the bottom of the carton for staples. Remove any staples that are in the path of the tires.

10. Remove the mower from the shipping skid.

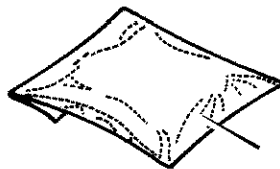
---

## LOOSE PARTS – CONTENTS

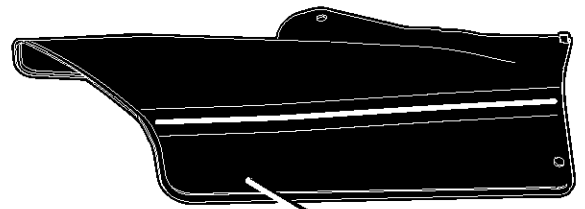
The fasteners and other loose parts are shown below. The fasteners are shown full size. The quantity is shown in brackets ( ).



Literature Kit



Parts Bag



Side Discharge Attachment

# PREPARATION

## MAINTENANCE FREE BATTERY

**IMPORTANT:** Before you attach the battery cables to the battery, check the battery date. The battery date tells if the battery must be charged.

1. Raise the seat support and secure in the UP position with the seat support rod.
2. Check the top of the battery for the location of the **battery date** (Figure 1).
3. If the **battery** is put into service *before* the **battery date**, the **battery** cables can be attached without charging the **battery**. See "How To Install The Battery Cables".
4. If the **battery** is put into service *after* the **battery date**, the **battery** must be charged. See "How To Charge The Maintenance Free Battery".

## HOW TO CHARGE THE MAINTENANCE FREE BATTERY



**WARNING:** When you charge the battery, do not smoke. Keep the battery away from any sparks. The fumes from the battery acid can cause an explosion.

1. To disconnect the **battery retainer** from the **battery tray**, push in on the lower end of the **battery retainer**.
2. Remove the **battery** from the right side of the unit.
3. Remove the protective caps from the **battery terminals**.

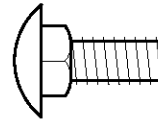
4. Use a 12 volt battery charger to charge the **battery**. Charge at a rate of 6 amperes for one hour. If you do not have a battery charger, have a Sears or other qualified Service Center charge the battery.
5. Install the **battery** and secure with the **battery retainer**. Make sure the **positive (+) terminal** is on the right side.

## HOW TO INSTALL THE BATTERY CABLES

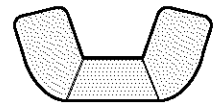


**WARNING:** To prevent sparks, fasten the red cable to the positive (+) terminal before you connect the black cable.

Use the fasteners shown below to install the **battery cables**. The fasteners are attached to the battery cables.



(A)  
2x82



(B)  
14x79

1. Remove the protective caps from the **battery terminals**.
2. Fasten the **red cable** to the **positive (+) terminal** with the fasteners as shown (Figure 1).
3. Mount the **battery boot** onto the **positive (+) terminal**.
4. Fasten the **black cable** to the negative (-) terminal with the fasteners as shown.

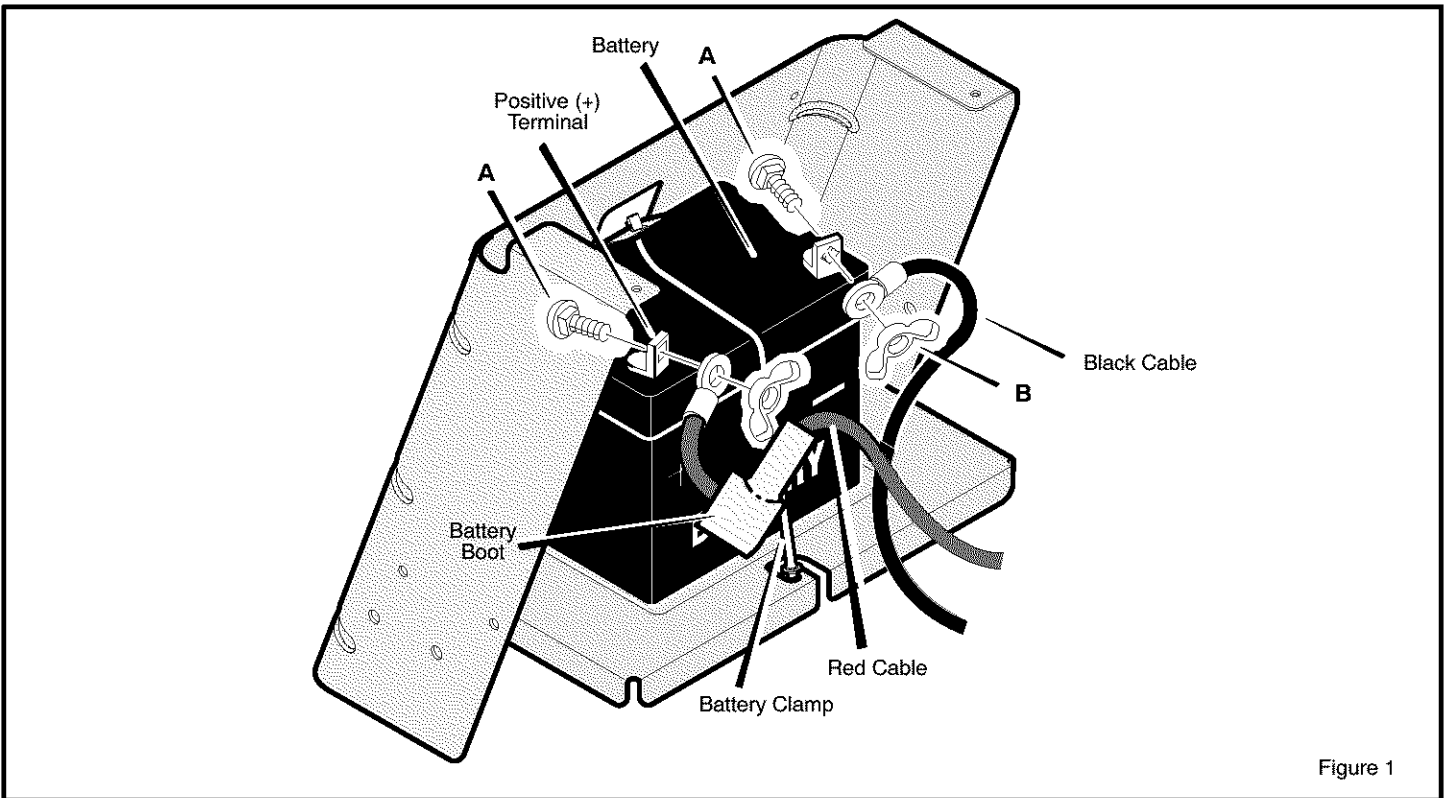


Figure 1



---

# PREPARATION

---

## HOW TO PREPARE THE ENGINE

**NOTE: The engine was shipped from the factory filled with oil. Check the level of the oil. Add oil as needed.**

Before you use the unit, read the information on safety, operation, maintenance, and storage.

---

## CHECK THE LEVEL OF THE MOWER HOUSING

Make sure the level of cut is still correct. After you mow a short distance, look at the area that was cut. If the mower housing does not cut level, see the instructions on "How To Level The Mower Housing" in the Service And Adjustment section of this instruction book.

---

## CHECK THE TIRES

Check the air pressure in the tires. Tires with too much air pressure will cause the unit to ride rough. Also, the wrong air pressure will keep the mower housing from cutting level. The correct air pressure (PSI) is as follows. Semi-pneumatic front tires do not require air.

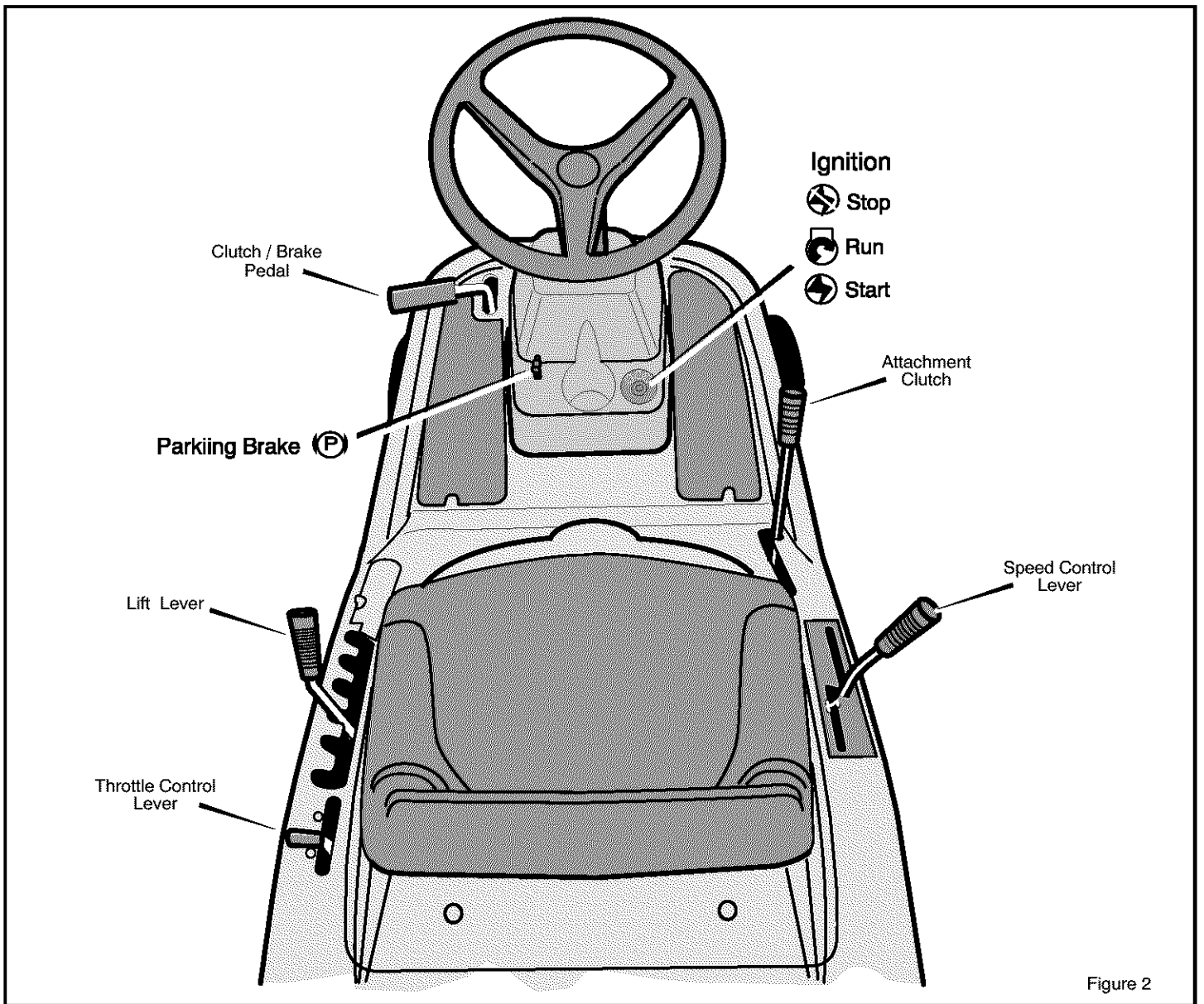
Front Tires	22 PSI (1.5 BAR)
Rear Tires	14 PSI (1 BAR)

---

## IMPORTANT! BEFORE YOU START MOWING

- Check the engine oil.
- Fill the fuel tank with gasoline.
- Check the level of the mower housing.
- Check the air pressure of the tires.
- Make sure the battery cables are attached.

# OPERATION



The operation of any lawn mower can result in foreign objects thrown in the eyes, which can result in severe eye damage. Always wear safety glasses or eye shields before starting your lawn mower and while mowing. We recommend standard safety glasses or a wide vision safety mask worn over spectacles.

## LOCATION OF CONTROLS

**ATTACHMENT CLUTCH:** Use the attachment clutch to start and stop the rotation of the blade(s) and to operate a snow thrower attachment.

**CLUTCH / BRAKE PEDAL:** The pedal has two functions. The first function is a clutch. The second function is a brake.

**IGNITION SWITCH:** Use the ignition switch to start and stop the engine.

F-030614L

**SPEED CONTROL LEVER:** Use the speed control lever to change the speed and the direction of the unit.

**LIFT LEVER:** Use the lift lever to change the height of cut.

**PARKING BRAKE LEVER:** Use the parking brake lever to engage the brake when you leave the unit.

**THROTTLE CONTROL LEVER:** Use the throttle control lever to increase or decrease the speed of the engine.

# OPERATION

## HOW TO STOP THE UNIT

The electrical system has an operator presence system that includes a sensor switch mounted in the seat. These components tell the electrical system if the operator is sitting on the seat. This system will stop the engine when the operator leaves the seat. For your protection, always make sure this system operates correctly.

1. Completely push the **clutch/brake pedal** forward to stop the unit. Keep your foot on the pedal.
2. Move the attachment clutch to the **DISENGAGE** position.

3. Move the speed control lever to the **NEUTRAL** position.
4. Set the parking brake.



**WARNING:** Make sure the parking brake will hold the unit.

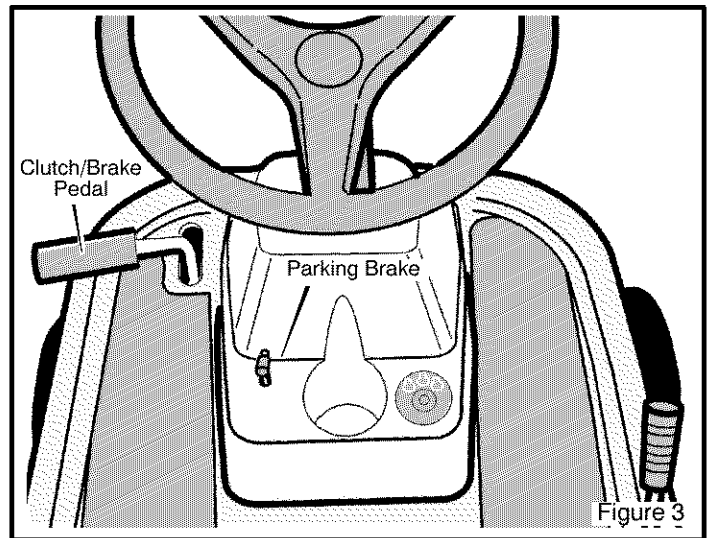
5. Move the throttle control to the **SLOW** position.
6. To stop the engine, turn the ignition key to the **OFF** position. Remove the key.

## HOW TO SET THE PARKING BRAKE

1. Completely push the **clutch/brake pedal** forward.
2. Lift the **parking brake lever** (Figure 3).
3. Remove your foot from the clutch/brake pedal and then release the **parking brake lever**. Make sure the parking brake will hold the unit.
4. To release the **parking brake**, completely push the **clutch/brake pedal** forward. The **parking brake** will automatically release.



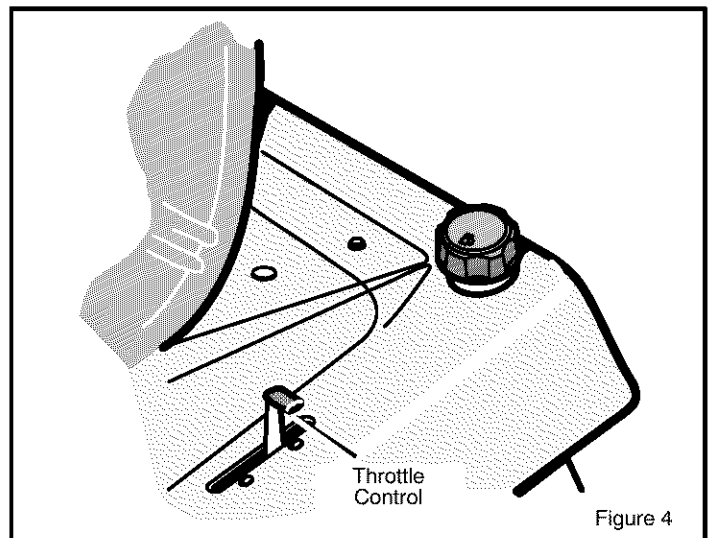
**WARNING:** Before you leave the operator's position, move the shift lever to the neutral (N) position. Set the parking brake. Move the attachment clutch to the **DISENGAGE** position. Stop the engine and remove the ignition key.



## HOW TO USE THE THROTTLE / CHOKE CONTROL

Use the **throttle/choke control** to choke the engine for cold starts and increase or decrease the speed of the engine (see Figure 4).

1. Move the **throttle/choke control** completely forward to the **CHOKE** position to start a cold engine.
2. The **FAST** position is marked with a detent. For normal operation and when using a grass bagger, move the **throttle control** to the **FAST** position. For maximum charging of the battery and for a cooler running engine, operate the engine in the **FAST** position.
3. The engine governor is set at the factory for maximum performance. Do not adjust the governor to increase the speed of the engine.




# OPERATION

## HOW TO USE THE ATTACHMENT CLUTCH

Use the **attachment clutch** to engage the blade (Figure 5).

1. Before you start the engine, make sure the **attachment clutch** is in the **DISENGAGE** position.
2. To rotate the blade, move the **attachment clutch** forward to lock the blade in the **ENGAGE** position.
3. To stop the blade, move the **attachment clutch** to the **DISENGAGE** position. Before you leave the operator's position, make sure the blade has stopped rotating.
4. Before you ride the unit across a sidewalk or a road, move the **attachment clutch** to the **DISENGAGE** position.

 **WARNING:** Always keep your hands and feet away from the blade, deflector opening, and the mower housing when the engine runs.

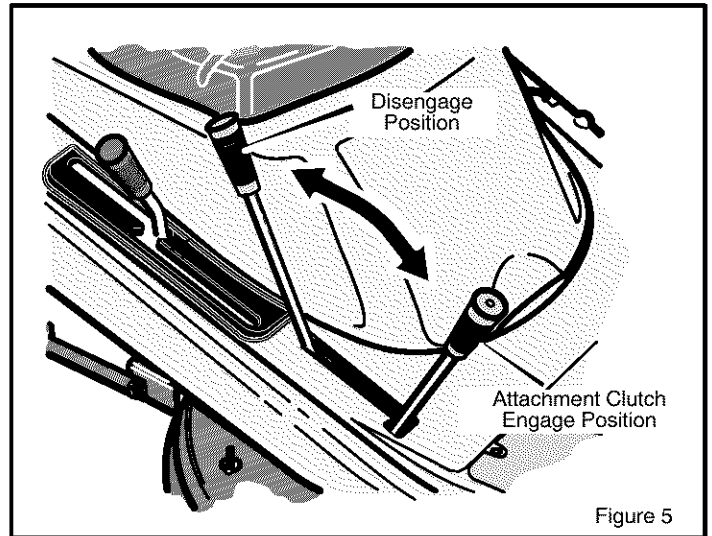


Figure 5

## HOW TO CHANGE THE CUTTING HEIGHT

To change the cutting height, raise or lower the **lift lever** as follows.

1. Move the **lift lever** forward to lower the mower housing and back to raise the mower housing (Figure 6).
2. When you ride on a sidewalk or road, move the **lift lever** to the highest position and move the attachment clutch to the **DISENGAGE** position.

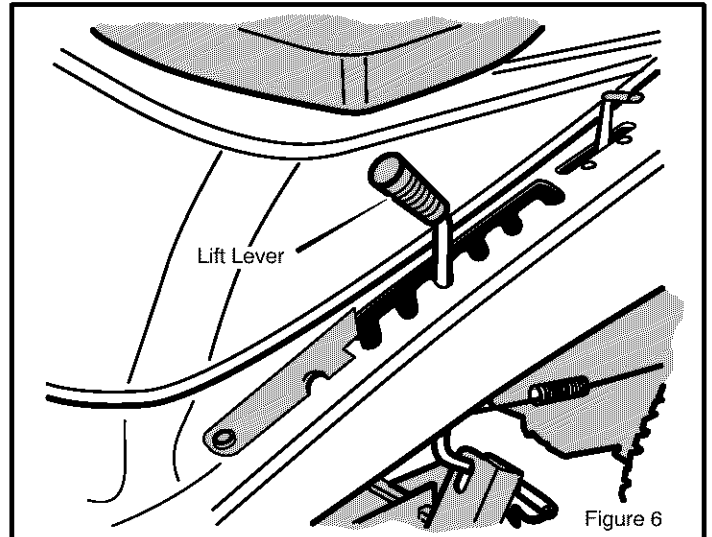


Figure 6

## HOW TO DISCONNECT THE TRANSMISSION

To push the unit, use the **automatic drive disconnect** to release the transmission. (Figure 7)

1. The engine must be off.
2. The **automatic drive disconnect** is located under the left side of the seat deck next to the hydrostatic transaxle.
3. Move and latch the **automatic drive disconnect** in the **PUSH** position (Figure 7). The transmission is now *released* and the unit can be pushed.

**NOTE:** In cold weather, the heavy viscosity oil in the transmission will make the unit difficult to push.

4. To engage the transmission, unlatch the **automatic drive disconnect**. The transmission is now *connected* and ready to operate.

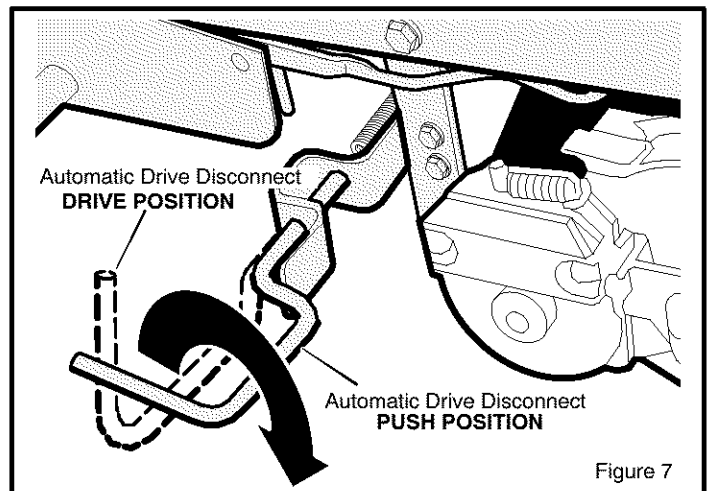


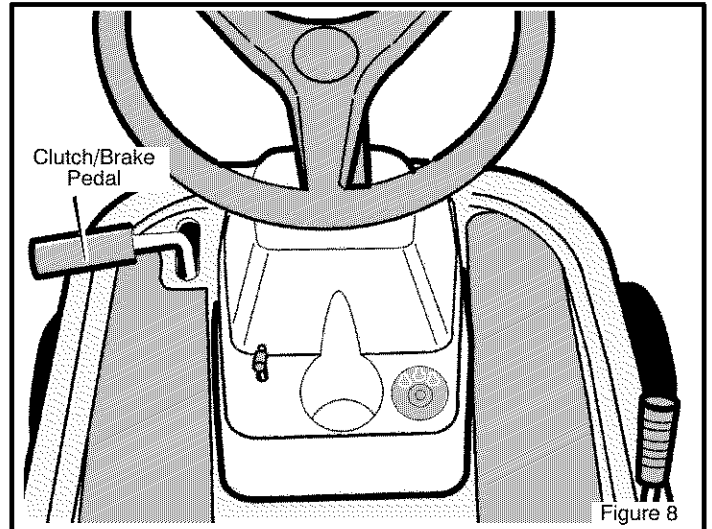
Figure 7

# OPERATION

## HOW TO USE THE SPEED CONTROL LEVER

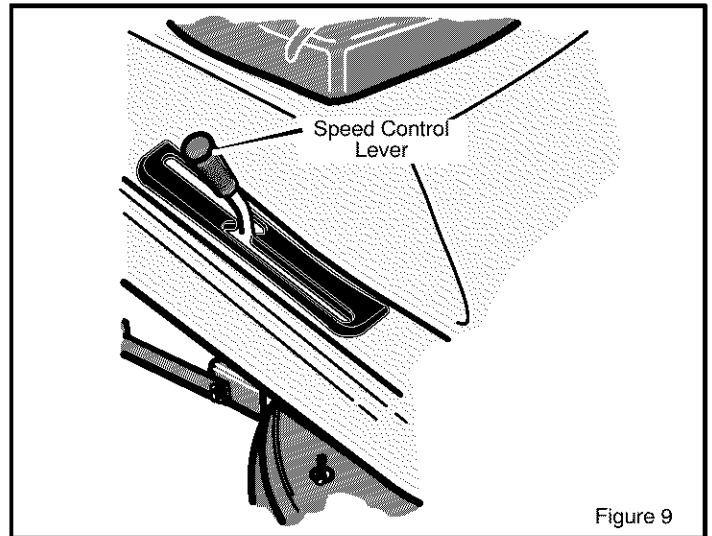
The Hydrostatic Drive is very easy to operate. The drive system has a clutch/brake pedal on the left side (see Figure 8) and a speed control lever on the right side (see Figure 9).

The speed and direction of travel is controlled by the speed control lever (see Figure 9). Use the speed control lever to select either forward or reverse.



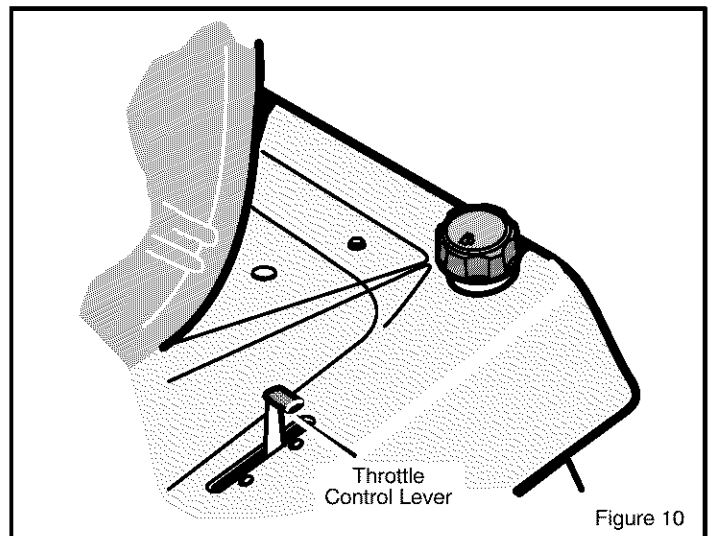
## HOW TO DRIVE FORWARD

1. The **automatic drive disconnect** must be in the DRIVE position (Figure 7).
2. Completely push the clutch/brake pedal forward to stop the unit (see Figure 8). Keep your foot on the pedal.
3. Move the speed control lever to NEUTRAL position (see Figure 9).
4. Slowly release your foot from the clutch/brake pedal (see Figure 8). Do not keep your foot on the clutch/brake pedal.
5. Move the throttle control to the FAST position (see Figure 10).
6. Slowly push the **speed control lever** forward to the desired speed (see Figure 8). To reduce forward speed, slowly pull the **speed control lever** to the desired speed.



## HOW TO CHANGE DIRECTIONS / DRIVE IN REVERSE

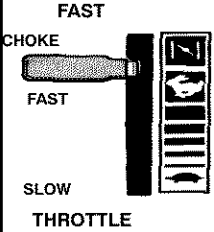
1. Look to the rear.
2. Move the speed control lever to the NEUTRAL position (see Figure 10).
3. To go backward, move the speed control lever to the REVERSE position.



# OPERATION

## SPEED CONTROL LEVER POSITIONS

The forward speed is controlled by the position of the **speed control lever**. The following chart provides **functions** along with the positions of the **speed control lever**. Always operate the engine with the **throttle control** in the **FAST** position.

FUNCTION	SPEED CONTROL LEVER POSITION	THROTTLE
Trimming Steep Hills	1/3	
Bagging Grass	1/3 to 1/2	
Normal Mowing	1/2 to 2/3	
Easy Mowing	1/2 to 3/4	
Transport	FULL	
Pull Behind Attachments	1/3 to 1/2	

## HOW TO TRANSPORT THE UNIT

To transport the unit, follow the steps below.

1. Move the attachment clutch to the DISENGAGE position.
2. Raise the lift lever to the highest position.
3. Move the throttle control to a position between SLOW and FAST.
4. To go faster, move the speed control lever to a faster speed.

# OPERATION

## HOW TO INSTALL THE SIDE DISCHARGE ATTACHMENT



**WARNING:** To prevent the engine from starting, disconnect the wire from the spark plug. Make sure the attachment clutch is in the **DISENGAGE** position.

The **mulcher cover** lets you mulch the grass for a clean, fine cut. To discharge the grass out the side, install the **side discharge attachment** as follows.

1. Remove the two **wingnuts** (see Figure 11).
2. Lift the **mulcher cover**. Mount the **side discharge attachment** onto the same bolts that secured the **mulcher cover**.
3. Secure the **side discharge attachment** with the **wingnuts**.
4. To mulch, remove the **side discharge attachment** and mount the **mulcher cover** to the mower housing with the **wingnuts**.

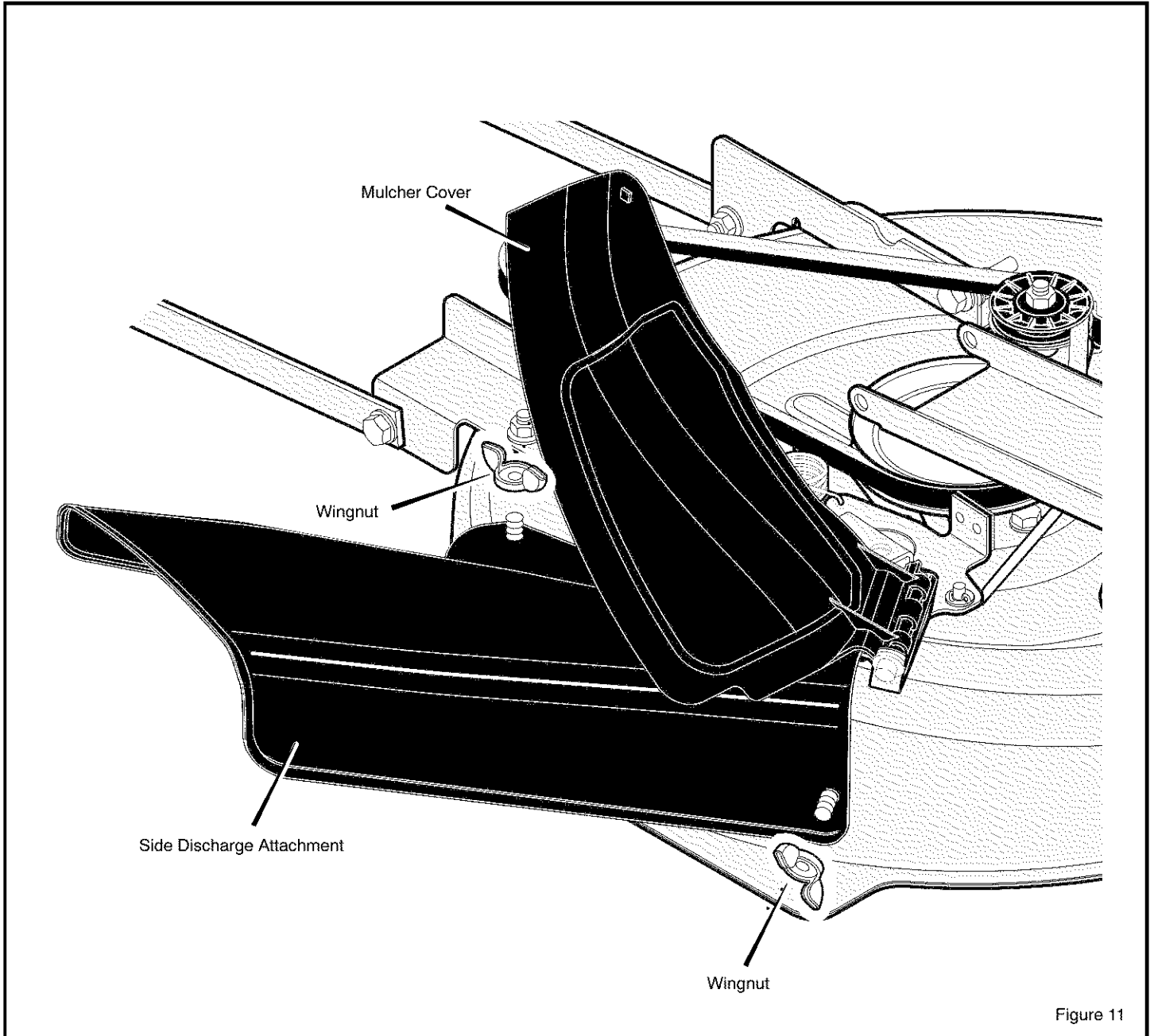


Figure 11

---

# OPERATION

---

## BEFORE STARTING THE ENGINE

### CHECK THE OIL

**NOTE:** The engine was shipped from the factory filled with SAE 30 weight oil. Check the level of the oil. Add oil as needed.

1. Make sure the unit is level.

**NOTE:** Do not check the level of the oil while the engine runs.

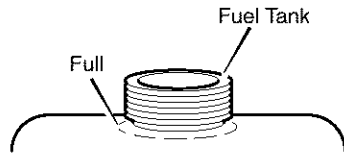
2. Clean the area around the dipstick. Remove the dipstick. Wipe the oil from the dipstick.
3. Insert the dipstick into the oil fill tube. Turn the dipstick clockwise until it is tight. Remove the dipstick. Check the oil level on the dipstick. The oil level must reach the FULL mark on the dipstick.
4. If necessary, add oil until the oil reaches the FULL mark on the dipstick. The quantity of oil needed from ADD to FULL is shown on the dipstick. Do not add too much oil.

### ADD GASOLINE



**WARNING:** Always use a safety gasoline container. Do not smoke when adding gasoline to the fuel tank. Do not add gasoline when you are inside an enclosure. Before you add gasoline, stop the engine and let the engine cool for several minutes.

Fill the fuel tank with regular unleaded gasoline. Do not use premium unleaded gasoline. Make sure the gasoline is fresh and clean. Leaded gasoline will increase deposits and shorten the life of the valves.



**CAUTION:** Alcohol blended fuels (called gasohol or using ethanol or methanol) can attract moisture which leads to separation and formation of acids during storage. Acidic gas can damage the fuel system of an engine while in storage.

To prevent engine problems with the fuel system, empty the fuel system before storage of 30 days or longer as follows.

1. Drain the fuel tank.
2. Start the engine. Let the engine run until the fuel lines and the carburetor are empty.
3. After storage, make sure you use fresh fuel. See the storage instructions for additional information.
4. Never use engine cleaner or carburetor cleaner in the fuel tank or permanent damage can occur.

### CARBURETOR

The factory settings for the carburetor are for most conditions. If the engine is operated under the following conditions, you can adjust the carburetor mixture. See "How To Adjust The Carburetor" in the Service And Adjustment section.

1. The engine has a loss of power or does not run smooth.
2. A change from summer to winter operation.
3. A 40 degree change in the operation temperature. The carburetor was adjusted at 80 degrees at the factory.
4. The engine is operated above 4,000 feet.

---

## HOW TO START THE ENGINE



**WARNING:** The electrical system has an operator presence system that includes a sensor switch mounted in the seat. These components tell the electrical system if the operator is sitting on the seat. This system will stop the engine when the operator leaves the seat. For your protection, always make sure this system operates correctly.

**NOTE:** The engine will not start unless you depress the clutch/brake pedal or engage the parking brake and move the attachment clutch to the DISENGAGE position.

1. Sit in the middle of the seat. Push the clutch/brake pedal completely forward. Keep your foot on the pedal.
2. Move the speed control lever to the neutral (N) position.
3. Make sure the attachment clutch is in the DISENGAGE position.

4. Move the throttle control completely forward to the CHOKE or FAST position. Some models have a separate choke knob. Pull the choke knob to the full CHOKE position.
5. Turn the ignition key to the START position. Release the key when the engine starts.

**NOTE:** If the engine does not start after four or five tries, move the throttle control to the FAST position. Again try to start the engine. If the engine will not start, see the TROUBLESHOOTING CHART.

6. Slowly move the throttle control to the SLOW position. If model has a separate choke knob, push in the choke knob.
7. Let a cold engine run for several minutes. Begin work when the engine is warm. To start a hot engine, move the throttle control to a position between FAST and SLOW.



---

# OPERATION

---

## HOW TO OPERATE WITH THE MOWER HOUSING



**WARNING:** The mulch cover is a safety device. Do not remove the mulch cover. The side discharge attachment forces the discharged material toward the ground. Always keep the side discharge attachment in the down position. If the side discharge attachment is damaged, replace the with an original equipment part from a Sears Service Center.

**IMPORTANT:** When you operate with the mower housing, always operate with the throttle control in the FAST position.

1. Push the clutch/brake pedal completely forward.
2. Start the engine.
3. Put the speed control lever in the NEUTRAL position.
4. Slowly release the clutch/brake pedal.
5. Move the lift lever to a height of cut position. In high or thick grass, cut the grass in the highest position first and then lower the mower housing to a lower position.

**CAUTION:** Do not operate with the mower housing in the LEVEL ADJUSTMENT position. If you operate in the LEVEL ADJUSTMENT position, the mower housing and blades can be damaged.

6. Move the throttle control to the SLOW position.
7. Move the attachment clutch to the ENGAGE position.
8. Move the speed control lever forward.

**NOTE:** When you mow in heavy grass or mow with a bagger, operate at a slow forward speed.

9. Move the throttle control to the FAST position. If you need to go faster or slower, move the speed control lever forward or backward.
10. Make sure the level of cut is still correct. After you mow a short distance, look at the area that was cut. If the mower housing does not cut level, see the instructions on "How To Level The Mower Housing" in the Service And Adjustment section.



**WARNING:** For better control of the unit, always select a safe speed.

---

## HOW TO OPERATE THE UNIT ON HILLS



**WARNING:** Do not ride up or down slopes that are too steep to back straight up. Never ride the unit across a slope. See the "Slope Guide" in the back of this book for information on how to check slopes.

1. Before you ride up or down a hill, move the speed control lever to a slow speed.
2. Do not stop or change speed settings on a hill. If you must stop, quickly push the clutch/brake pedal forward and set the parking brake.
3. To start again, make sure the speed control lever is in a slow speed. Move the throttle control to the SLOW position. Slowly release the pedal.
4. If you must stop or start on a hill, always have enough space for the unit to roll when you release the brake and engage the clutch.
5. Be very careful when you change directions on a hill. When on a slope or in a turn on a hill, move the throttle control to the SLOW position to help prevent an accident.

---

## ATTACHMENTS

This unit can use many different attachments. It can pull attachments like a lawn sweeper, a lawn aerator, a hopper spreader, or a small trailer. This unit cannot use attachments that engage the ground like a plow, a disk harrow, or a cultivator. For all pull-behind attachments or trailers, the maximum gross weight is 200 pounds. Gross weight is the weight of the attachment or trailer and any load that might be on or in it.



**WARNING:** To avoid possible serious injury, do not mow a slope that is greater than 15 degrees. If the riding mower is used with a pull-behind or rear-mounted attachment, do not operate the unit on a slope that is greater than 10 degrees.

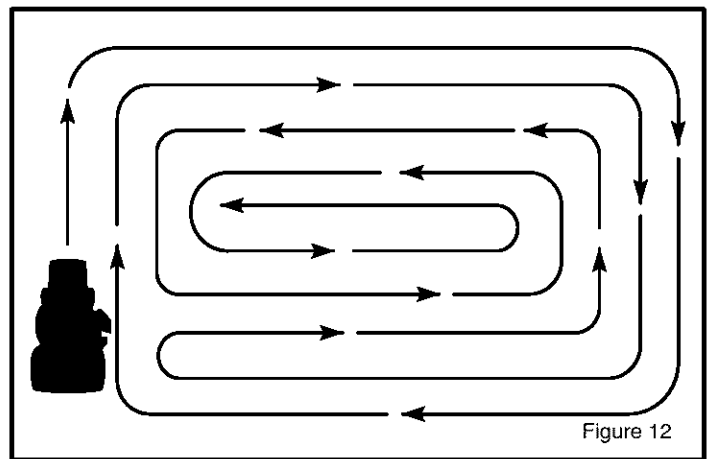
# OPERATION

## OPERATING TIPS

1. Check the attachment clutch for correct adjustment. For the blade(s) to disengage correctly, the adjustment must be correct.
2. Before you use the unit, check the oil in the engine and add oil if necessary.
3. If the engine will not start, first make sure the wire is attached to the spark plug.
4. Make sure all the belts are inside all the belt guides. See the instructions on how to remove and install the motion drive and mower drive belts.
5. Before you make an inspection, adjustment (except for the carburetor) or repair, make sure the wire from the spark plug is disconnected.
6. Make sure the seat switch wire is connected. If the wire is not connected, the engine will not start.
7. For longer life of the battery, charge the battery every three months.
8. Use the shift lever to change the ground speed, not the throttle control.
9. Belt noise can occur when the blade or clutch is engaged. This noise is normal and does not affect the operation of the unit.
10. To move forward, always release the clutch/brake pedal slowly.

## MOWING AND BAGGING TIPS

1. For a lawn to look better, check the cutting level of the mower housing. See "How To Level The Mower Housing" in the Service And Adjustment section.
2. For the mower housing to cut level, make sure the tires have the correct amount of air pressure (PSI).
3. Every time you use the unit, check the blade. If the blade is bent or damaged, immediately replace the blade. Also, make sure the nut for the blade is tight.
4. Keep the blade(s) sharpened. A worn blade(s) will cause the ends of the grass to turn brown.
5. Do not cut or bag grass that is wet. Wet grass will not discharge correctly. Let the grass dry before cutting.
6. Use the left side of the mower housing to trim near an object.
7. Discharge the cut grass onto the mowed area. The result is a more even discharge of cut grass.
8. When you mow large areas, start by turning to the right so that the cut grass will discharge away from shrubs, fences, driveways, etc. After one or two rounds, mow in the opposite direction making left turns until finished (Figure 12).
9. If the grass is very high, cut two times to decrease the load on the engine. First cut with the mower housing in the highest position and then lower the mower housing for the second cut.
10. For better engine performance and an even discharge of the cut grass, always operate the engine with the throttle in FAST position.
11. When you use a bagger, operate the engine with the throttle in FAST position and the speed control lever in a slow forward speed.
12. For better cutting performance and a quality cut, mow in a slow forward speed.
13. After each use, clean the bottom and top of the mower housing for better performance. Also, a clean mower housing will help prevent a fire.



## MULCHING TIPS

When you use a mulcher attachment, the grass is cut into very small pieces. These small pieces will quickly break down. Because the nutrients are returned to the soil, the lawn will need less fertilizer. To correctly mulch the grass, follow the steps below.

1. Set the throttle in the FAST position. Operate the mower at a slower ground speed. If ground speed is too fast, the grass will not have an even cut.
2. Keep a sharp edge on the blade. A blade that is not sharp will cause the ends of the grass to become brown.
3. Make sure the grass is dry. Wet grass is difficult to cut.
4. Set the height of the mower housing so that only the top third of the grass is cut. If the grass is too high, set the height of the mower housing to the maximum height. Then, lower the mower housing for the second cut. Also, instead of using the full width of the mower housing, mulch at half the width.
5. Clean the bottom of the mower housing. Grass and other debris can keep the mower from working correctly.
6. If the grass grows fast, mulch more often.
7. If an area needs improvement, mulch a second time.

# MAINTENANCE

## MAINTENANCE TABLE

PROCEDURE		EACH USE	FIRST 2 HOURS	EVERY 25 HOURS	EVERY 50 HOURS	EVERY 100 HOURS	BEFORE STORAGE
<b>M O W E R</b>	Tires, Check			√			
	Blade, Inspect and Sharpen			√			
	Battery, Check and Charge			√			√
	Battery, Clean				√		√
	Lubrication				√		√
<b>E N G I N E</b>	Oil, Check	√					
	Oil, Change		√				
	Cooling System, Clean	√			√		√
	Muffler, Check				√		√
	Air Filter, Clean				√		
	Spark Plug, Check				√		√
	Spark Plug, Replace					√	

## GENERAL RECOMMENDATIONS

- The owner's responsibility is to maintain this product. This will extend the life of the product and is also necessary to maintain warranty coverage.
- Check the spark plug, drive brake, lubricate the unit, and clean the air filter once a year.
- Check the fasteners. Make sure all fasteners are tight.
- Follow the Maintenance and the Service And Adjustment section to keep the unit in good operating condition.



**WARNING:** Before you make an inspection, adjustment, or repair to the unit, disconnect the wire to the spark plug. Remove the wire from the spark plug to prevent the engine from starting by accident.

## CHECK THE TIRES

Check the air pressure in the tires. Tires with too much air pressure will cause the unit to ride rough. Also, the wrong air pressure will keep the mower housing from cutting level. The correct air pressure (PSI) is as follows. Semi-pneumatic front tires do not require air.

Front Tires	22 PSI (1.5 BAR)
Rear Tires	14 PSI (1 BAR)

# MAINTENANCE

## INSPECT BLADE



**WARNING:** Before you inspect or remove the blade, disconnect the wire to the spark plug. If the blade hits an object, stop the engine. Check the unit for damage. The blade has sharp edges. When you hold the blade, use gloves or cloth material to protect your hands.

If you keep the blade sharp and inspect the blade for damage, the blade will cut better and be more safe to operate. Frequently check the blade for excessive wear, cracks, or other damage. Frequently check the nut that holds the blade. Keep the nut tight. If the blade hits an object, stop the engine. Disconnect the wire to the spark plug. See if the blade is bent or damaged. Check the blade adapter for damage. Before you operate the unit, replace damaged parts with original equipment parts. See a Sears Service Center in your area. Every three years, have a qualified service person inspect the blade or replace the old blade with an original equipment part.

## HOW TO REMOVE AND INSTALL THE BLADE

### To Remove

1. Drain the fuel tank.
2. Lift the side of the mower that has the muffler or spark plug.
3. As you loosen the nut, use a piece of wood to keep the blade from rotating.
4. Remove the **nut, washers, and blade** (Figure 13).

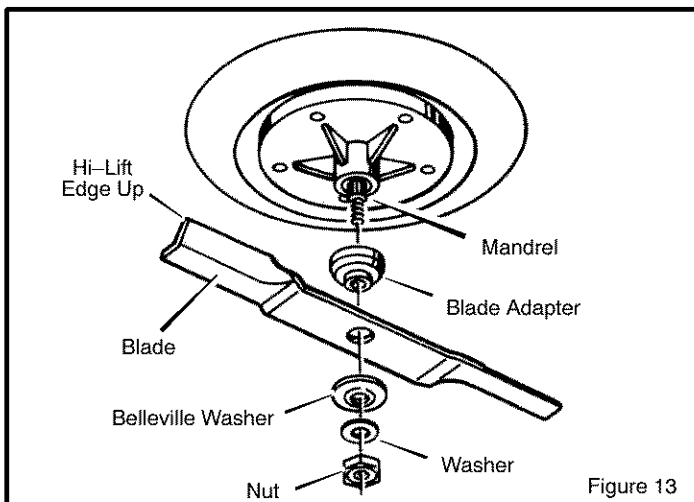


Figure 13

5. Check the **blade** and the **blade adapter** according to the instructions for "Inspect Blade". Replace a badly worn or damaged **blade** with an original equipment blade. See a Sears Service Center in your area.
6. Clean the bottom of the mower housing. Remove all the grass and debris.

### To Install

1. Mount the **blade** and **blade adapter** on the **mandrel** (Figure 13).
2. Mount the **blade** so that the **hi-lift edges** are up. If the **blade** is upside down, the **blade** will not cut correctly and can cause an accident.
3. Fasten the **blade** with the original washers and **nut**. Make sure the outside rim of the **Belleville washer** is against the **blade** (Figure 14).



**WARNING:** Always keep the nut tight that holds the blade. A loose nut or blade can cause an accident.

4. Tighten the **nut** that holds the **blade** to a torque of 35 foot pounds.

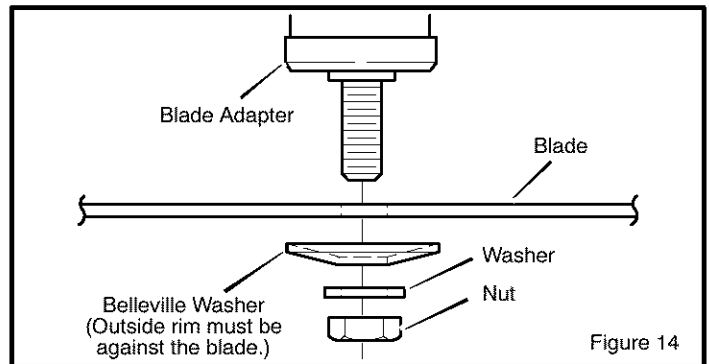


Figure 14

## HOW TO SHARPEN THE BLADE



**WARNING:** Vibration can be caused if the blade is not correctly balanced or if the blade is damaged. A blade that is damaged with cracks can break and cause an accident.

Keep a sharp edge on the **blade**. A **blade** that is not sharp will cause the tips of the grass to become brown.

1. Sharpen the **blade** two times a year or every 25 hours.
2. Remove the **blade** according to the instructions in "How To Remove And Install The Blade".
3. Clean the **blade** with a brush, soap and water. Check the **blade**. Look for cracks, nicks, or other damage. Replace a badly worn or damaged blade with an original equipment blade. See a Sears Service Center in your area.
4. Sharpen the **blade** with a **file** (Figure 15). Make sure you keep the original bevel angle.
5. Make sure the **blade** is balanced. Use a **screwdriver** and hold the **blade** parallel to the **ground** (Figure 15). A **blade** that is balanced will stay parallel to the **ground**. If the **blade** is not balanced, the heavy end will rotate toward the **ground**. Sharpen the heavy end until the **blade** is balanced.
6. A new blade will cut better than a badly worn blade. Every three years, have a qualified service person inspect the blade or replace the old blade with an original equipment blade.
7. Assemble the **blade** according to the instructions "How To Remove And Install The Blade".

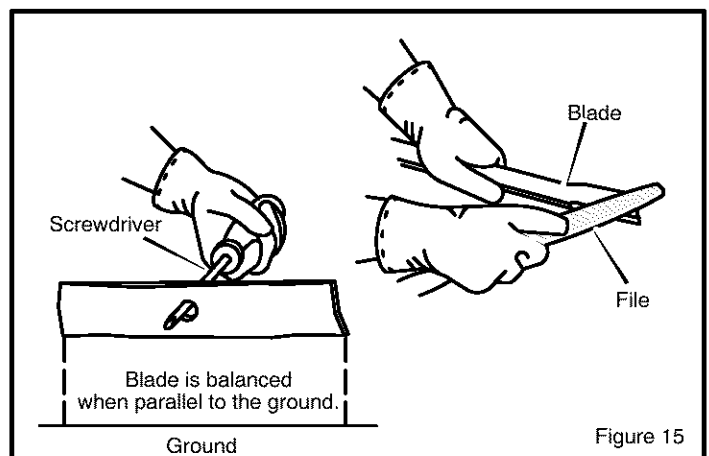


Figure 15

# MAINTENANCE

## MAINTENANCE FREE BATTERY

### HOW TO REMOVE THE BATTERY

To charge or clean the **battery**, remove the **battery** from the unit as follows.



**WARNING:** To prevent sparks, disconnect the **black battery cable** from the **negative (-) terminal** before you disconnect the **red cable**.

**WARNING:** The battery contains sulfuric acid which is harmful to the skin, eyes and clothing. If the acid gets on the body or clothing, wash with water.

1. Disconnect the **black cable** from the **negative (-) terminal** (Figure 16).
2. Disconnect the **red cable** from the **positive (+) terminal**.
3. To disconnect the **battery retainer** from the **battery tray**, push in on the lower end of the battery retainer.
4. Remove the **battery** from the right side of the unit.

### HOW TO CLEAN THE BATTERY

1. Remove the **battery**.
2. Wash the **battery** with a solution of one gallon of water and four tablespoons of baking soda (sodium bicarbonate). Make sure the solution does not get into the battery cells.

3. Clean the **terminals** and the ends of the **cables** with a wire brush.
4. Install the **battery**.
5. To prevent corrosion, apply grease to the **battery terminals**.

### HOW TO CHARGE THE BATTERY



**WARNING:** When you charge the battery, do not smoke. Keep the battery away from any sparks. The fumes from the battery acid can cause an explosion.

1. Before you charge the **battery**, remove the **battery**.
2. To charge the **battery**, use a 12 volt battery charger. Charge at a rate of 6 amperes for 1 hour.
3. Install the **battery**.



**WARNING:** To prevent sparks, fasten the **red cable** to the **positive (+) terminal** before you connect the **black cable**.

4. Fasten the **red cable** to the **positive (+) terminal** with the fasteners as shown.
5. Mount the **battery boot** onto the **positive (+) terminal**.
6. Fasten the **black cable** to the **negative (-) terminal** with the fasteners as shown.

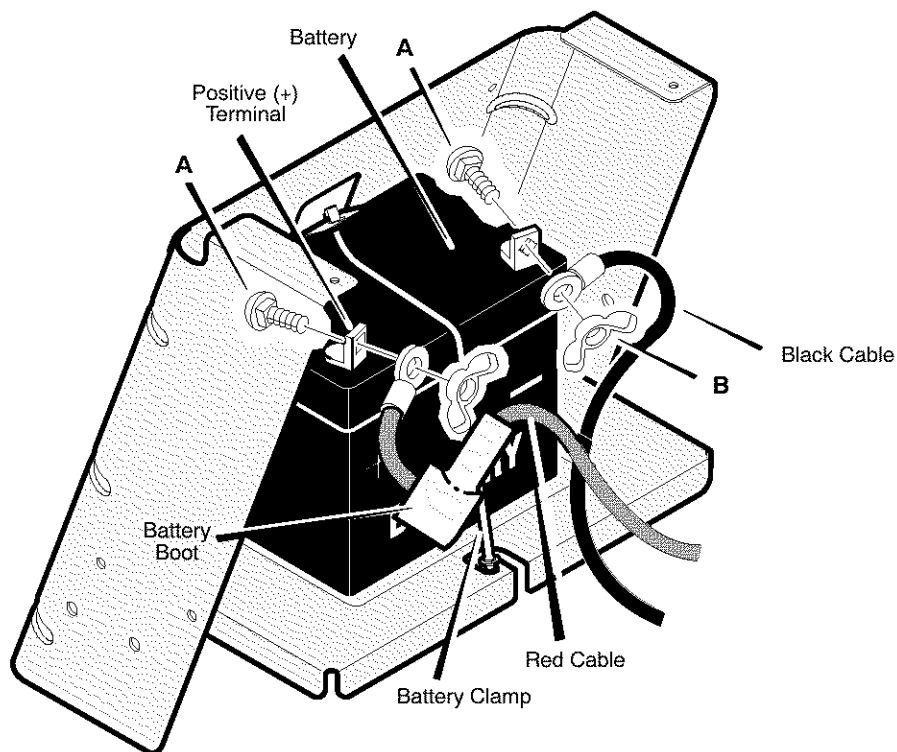


Figure 16

# MAINTENANCE

## WHERE TO LUBRICATE



Apply grease with a brush to the areas shown.



Lubricate the areas shown with engine oil.

**NOTE:** Apply grease to the steering gear assembly.

**CAUTION:** If the unit is operated in dry areas that have sand, use a dry graphite spray to lubricate the unit.

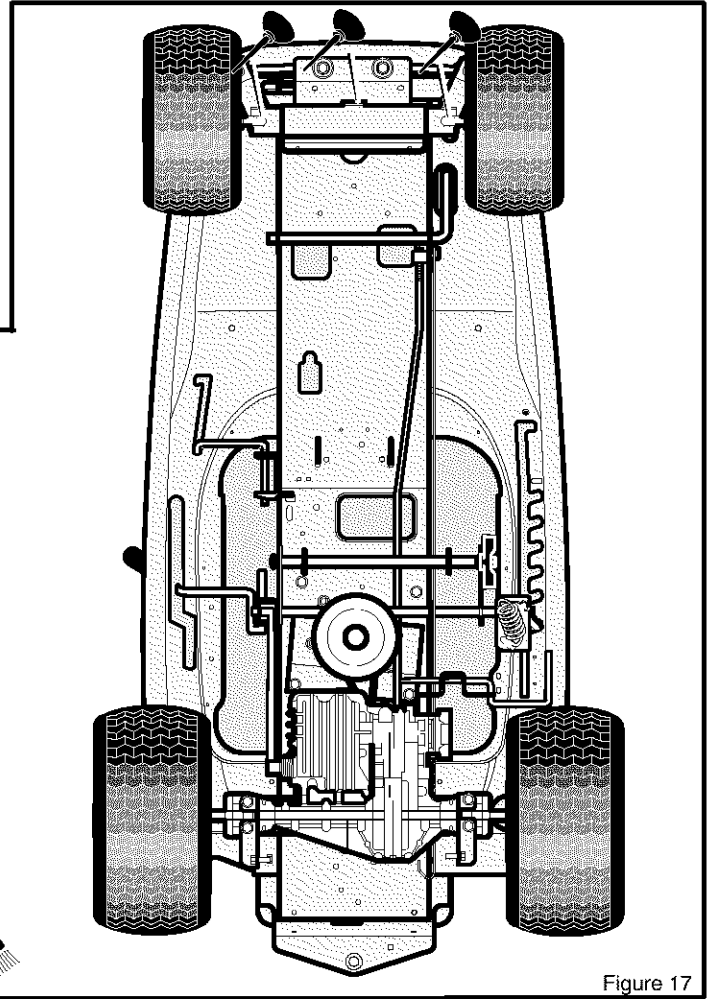
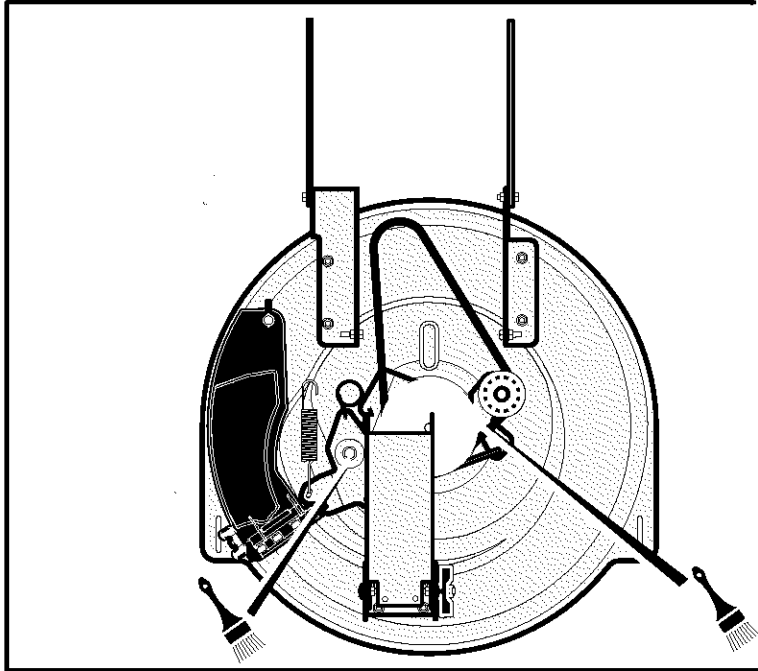


Figure 17

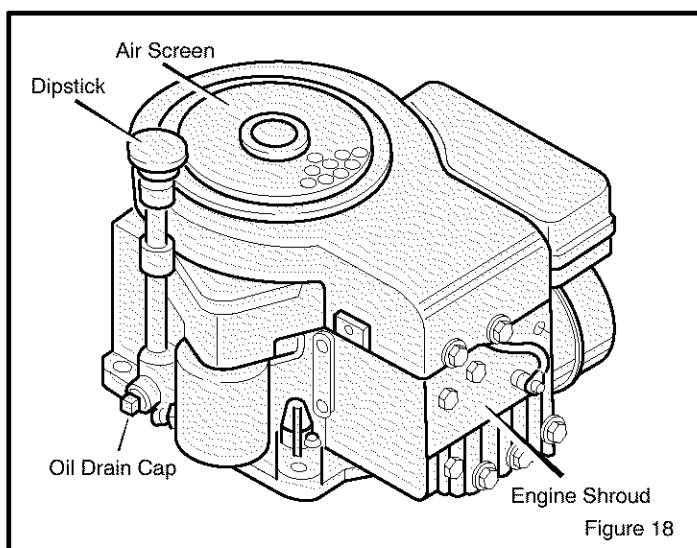
# MAINTENANCE

## ENGINE

### HOW TO CHECK THE OIL

**NOTE:** Do not check the level of the oil while the engine runs.

1. Make sure the unit is level.
2. Clean the area around the **dipstick** (Figure 18). Remove the **dipstick**. Wipe the oil from the **dipstick**.
3. Insert the **dipstick** into the oil fill tube. Turn the **dipstick** clockwise until it is tight. Remove the **dipstick**. Check the oil level on the **dipstick**. The oil level must reach the FULL mark on the **dipstick**.
4. If necessary, add oil until the oil reaches the FULL mark on the **dipstick**. The quantity of oil needed from ADD to FULL is shown on the **dipstick**. Do not add too much oil.

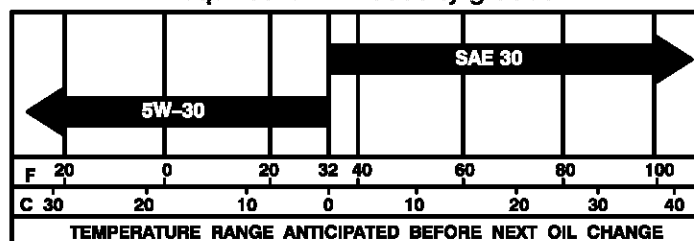


### HOW TO CHANGE THE OIL

**NOTE:** Do not drain the oil from a cold engine. Before you drain the oil, let the engine run for several minutes. Make sure you do not get oil on the belts.

1. Remove the **oil drain cap**. Drain the oil completely from the engine. Install and tighten the **oil drain cap**.
2. Only use a high quality detergent oil rated with API service classification SF or SG. Select the oil's SAE viscosity grade according to the expected operating temperature using the temperature chart below:

Required SAE viscosity grades



**NOTE:** Although multi-viscosity oils (5W30, 10W30, etc.) improve starting in cold weather, they will result in increased oil consumption when used above 32<sup>o</sup> F. Check the engine oil level more frequently to avoid possible engine damage from running low on oil.

3. Clean the area around the **dipstick**. Remove the **dipstick**. Slowly pour approximately 48 ounces (3 pints) of oil into the oil extension tube.
4. Insert the **dipstick** into the oil extension tube. Turn the **dipstick** in a clockwise direction until it is tight. Remove the **dipstick**. Check the oil level on the **dipstick**. The oil level must reach the FULL mark on the **dipstick**.

### HOW TO CLEAN THE COOLING SYSTEM

The engine is air cooled. The air that cools the engine enters through the **air screen** on top of the engine. Clean the engine every 100 hours or every year as follows.

1. Remove any grass, dirt or debris from the **air screen** with a cloth or brush.
2. Inspect the edge of the **engine shroud** for grass or debris. Remove any grass or debris visible at the bottom edge of the **engine shroud**.

### HOW TO CHECK THE MUFFLER

Check the muffler every 50 hours. Make sure the muffler is correctly mounted and is not loose. If the muffler is worn or burnt, replace with a new muffler. A worn muffler is a fire hazard and can damage the engine.

If you mount a spark arrester to the muffler, also check the spark arrester when you check the muffler. If the spark arrester is worn or damaged, replace it with a new spark arrester purchased from a Sears Service Center.

# MAINTENANCE

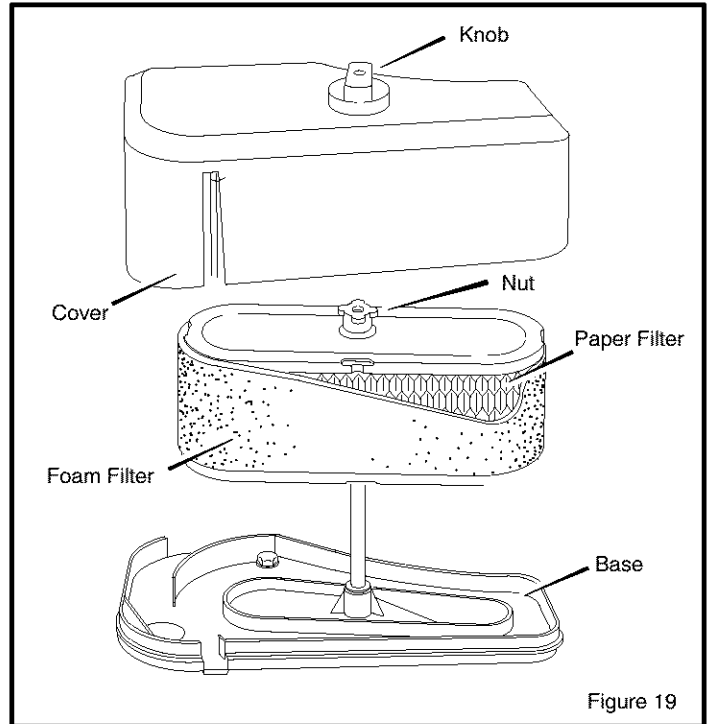
## HOW TO CLEAN THE AIR FILTERS

Some engines have two filters, an outer **foam filter** around an inner **paper filter**. Clean the air filters every 50 hours. If you operate in dirty conditions, service more often.

**NOTE:** Never run the engine with the air filters removed. The air filters will help protect the engine against wear. For the correct replacement filter, see the parts list for the engine.

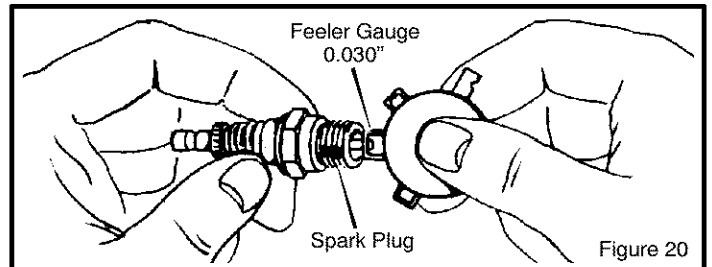
1. Remove the **knob** from the **cover** (Figure 19).
  2. Remove the **cover** from the air cleaner.
  3. Remove the **nut** from the filters.
  4. Remove the air filters.
  5. Clean the inside of the **base** and the **cover** with a cloth.
  6. Remove the **foam filter** from the **paper filter**.
  7. If equipped, wash the **foam filter** in a detergent and water solution. To remove the water solution, tightly roll the **foam filter** in a dry cloth. Remove the **foam filter** from the cloth. Completely dry the **foam filter**.
- CAUTION:** Do not wash the filters in gasoline or other solvents that will burn.
8. Evenly apply SAE 30W oil to the dry **foam filter**.
  9. To clean the **paper filter**, lightly tap the **paper filter** against a hard flat surface.
  10. If the **paper filter** is very dirty, replace the **paper filter**.

11. Assemble the air filters with the **nut**.
12. Install the **cover**. Fasten the **cover** with the **knob**.



## HOW TO CHECK THE SPARK PLUG

1. Check the gap of the **spark plug** with a **feeler gauge** (Figure 20). The correct gap is **0.030"**.
2. For easy starting and good performance, replace the **spark plug** every two years.





# SERVICE AND ADJUSTMENT

## HOW TO ADJUST THE REMOTE THROTTLE CONTROL

For the best engine performance, set the remote throttle control as follows.

1. Move the **remote throttle control** to the FAST position (see Figure 21).
2. The hole in the **governor control lever** (located just behind governor control plate) must align with the **hole in the governor control plate** (see Figure 22).
3. If the two holes do not line up, then loosen the **casing clamp screw** and move the **governor control rack** until the two holes are aligned.
4. Tighten the **casing clamp screw**.
5. Check the operation of the throttle. Move the throttle control to the STOP position.
6. The **governor control lever** must make good contact with **stop switch** (if equipped). Readjust if necessary.

**IMPORTANT:** Do not change the engine governor. If the engine governor needs an adjustment, go to the nearest Sears Service Center. They have the equipment and experience to make the adjustment.

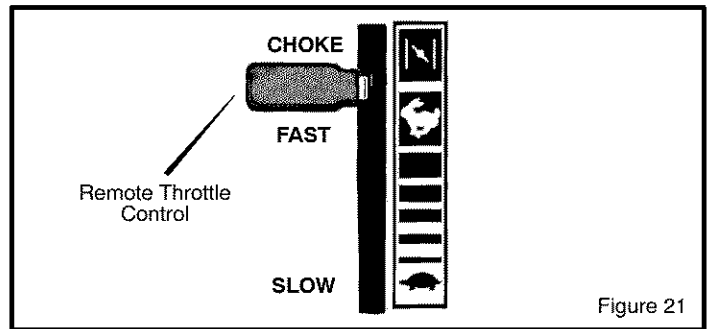


Figure 21

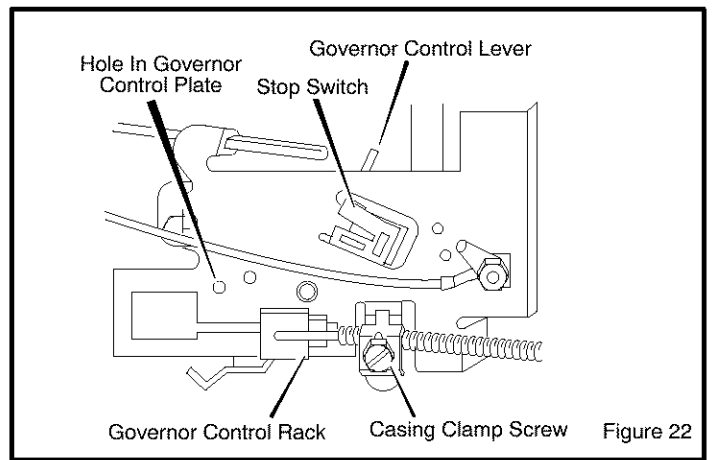


Figure 22

## HOW TO ADJUST THE CARBURETOR

Differences in fuel, temperature, altitude or load may require minor carburetor adjustment. The air cleaner and its cover must be assembled to carburetor before starting engine.

The carburetor on this engine is equipped with an idle mixture valve with a limiter (see inset), which allows some minor adjustment, and an idle speed adjustment screw.

1. To adjust idle speed, start engine and warm up about 5 minutes.
2. With engine running, put the **remote throttle control** in SLOW position (see Figure 21).
3. Rotate the carburetor **throttle control lever** against the **idle speed screw** and hold it (see Figure 23). Then, turn the **idle speed screw** to obtain 1750 rpm (use a tachometer).
4. Rotate the **idle mixture valve** full travel clockwise and then counterclockwise.

**NOTE:** DO NOT remove limiter caps. DO NOT force beyond limits.

5. Then, position idle **idle mixture valve** in middle of travel.

F-030614L

6. Move the **remote throttle control** to the FAST position. The engine should accelerate smoothly. If it does not, adjust the **idle mixture valve** counterclockwise 1/8 turn.

**NOTE:** Engines operated at approximately 3000 to 5000 feet (900 to 1500 meters) above sea level may require a high altitude carburetor nozzle. If erratic performance is observed, contact a Sears Service Center for cost to install or to purchase a high altitude carburetor nozzle.

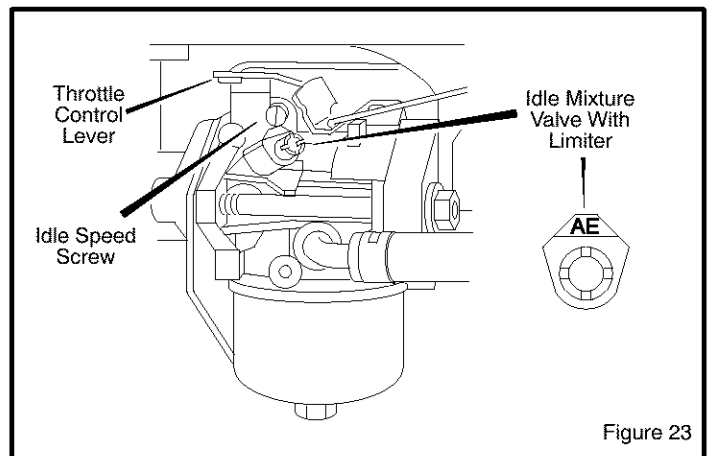


Figure 23

# SERVICE AND ADJUSTMENT

## HOW TO LEVEL THE MOWER HOUSING

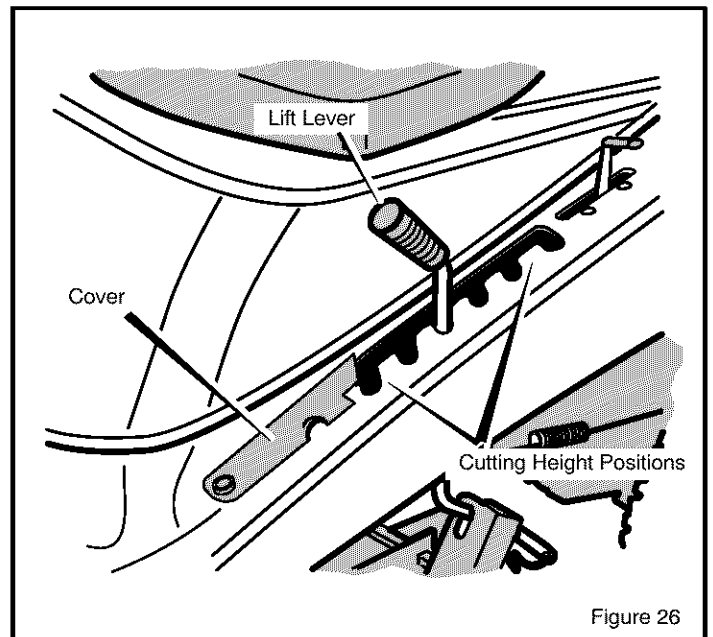
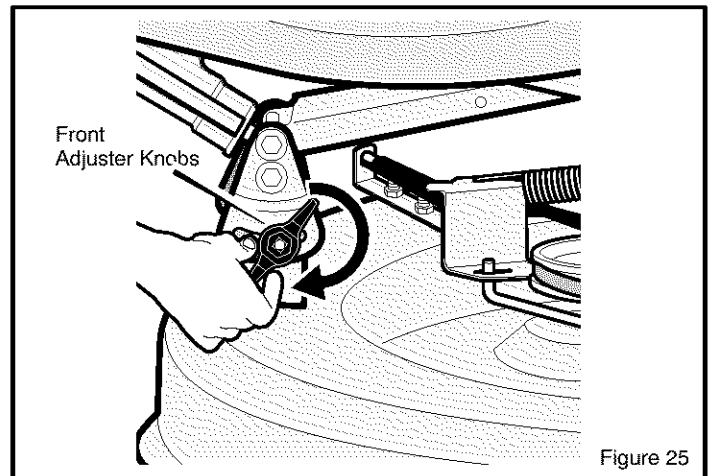
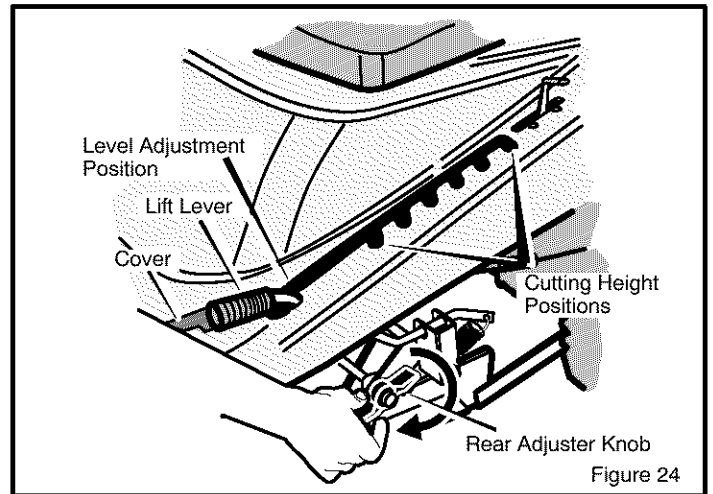
If the mower housing is level, the blade will cut easier and the lawn will look better.



**WARNING:** Before you make an inspection, adjustment, or repair to the unit, disconnect the wire to the spark plug. Remove the spark plug wire to prevent the engine from starting by accident.

1. Make sure the unit is on a hard flat surface.
2. Check the air pressure in the tires. If the air pressure is incorrect, the mower housing will not cut level. Make sure the tires are inflated to: Front Tires 22 PSI (1.5 BAR), Rear Tires 14 PSI (1 BAR).
3. Open the **cover** (see Figure 24).
4. Move the **lift lever** to the LEVEL ADJUSTMENT position (see Figure 24).
5. Loosen the front and rear **adjuster knobs** (see Figure 24 and Figure 25). Make sure both sides of the mower housing are setting on a flat surface. Also, make sure the lift links and adjuster plates are loose and can easily move up or down.
6. Tighten the front and rear **adjuster knobs**. Make sure the **adjuster knobs** are tight. If necessary, use a wrench to tighten the **adjuster knobs**. For plastic **adjuster knobs**, tighten to a torque of 7 foot pounds (9,5 N-m). For metal **adjuster knobs**, tighten to a torque of 10 foot pounds (13,5 N-m).
7. Raise the **lift lever** from the LEVEL ADJUSTMENT position to a CUTTING HEIGHT position (Figure 26).
8. Close the **cover**.
9. Mow for a short distance. If the height of cut is not level, repeat the above steps.

**CAUTION:** Do not operate with the mower housing in the LEVEL ADJUSTMENT position. If you operate in the LEVEL ADJUSTMENT position, the mower housing and blades can be damaged.



# SERVICE AND ADJUSTMENT

## HOW TO ADJUST THE ATTACHMENT CLUTCH



**WARNING:** To prevent an injury, the attachment clutch must operate correctly.

In normal usage, the **attachment clutch** will not require an adjustment. However, if the cutting performance decreases or the quality of cut is poor, make the following changes.

1. When you mow, make sure the throttle control is in the **FAST** position.
2. Move the **attachment clutch** to the **DISENGAGE** position (Figure 27).
3. Stop the engine. Disconnect the wire from the spark plug.

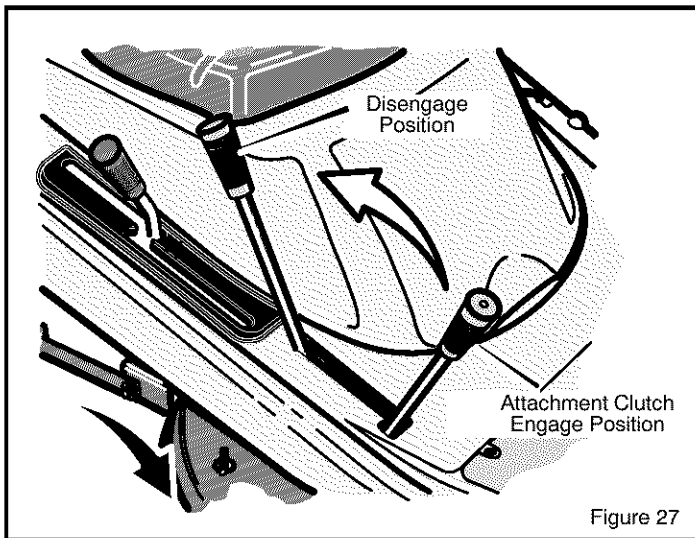


Figure 27

4. Check the blade(s). Keep a sharp edge on the blade(s). A blade that is not sharp will cause the tips of the grass to become brown.
5. If the quality of cut has not improved, replace the **mower drive belt**. See "How To Replace The Mower Drive Belt". If replacing the belt does not correct the problem, take the unit to a Sears or other qualified service center.
6. Move the **attachment clutch** to the **DISENGAGE** position. Stop the engine. Disconnect the wire from the spark plug.
7. Check the operation of the **blade brake**. Rotate the pulley with your hand. Make sure the **brake pad** is pressed tightly against the pulley (Figure 28).



**WARNING:** If the brake pad does not press tightly against the pulley, take the unit to a Sears or other qualified service center.

8. Move the **attachment clutch** to the **ENGAGE** position.
9. Check the pad for the **blade brake**. If the pad is excessively worn or damaged, replace the **brake pad** assemblies. Correct replacement parts and assistance are available from a Sears service center.
10. Attach the wire to the spark plug. Mow for a short distance and again check the operation of the **attachment clutch**.
11. When you move the **attachment clutch** to the **DISENGAGE** position, all movement will stop within five seconds. If there is movement of the belt or the blades continue to rotate, engage and disengage the **attachment clutch** five times to remove any excess rubber from a new **mower drive belt**. If you need assistance, take the unit to a Sears or other qualified service center.

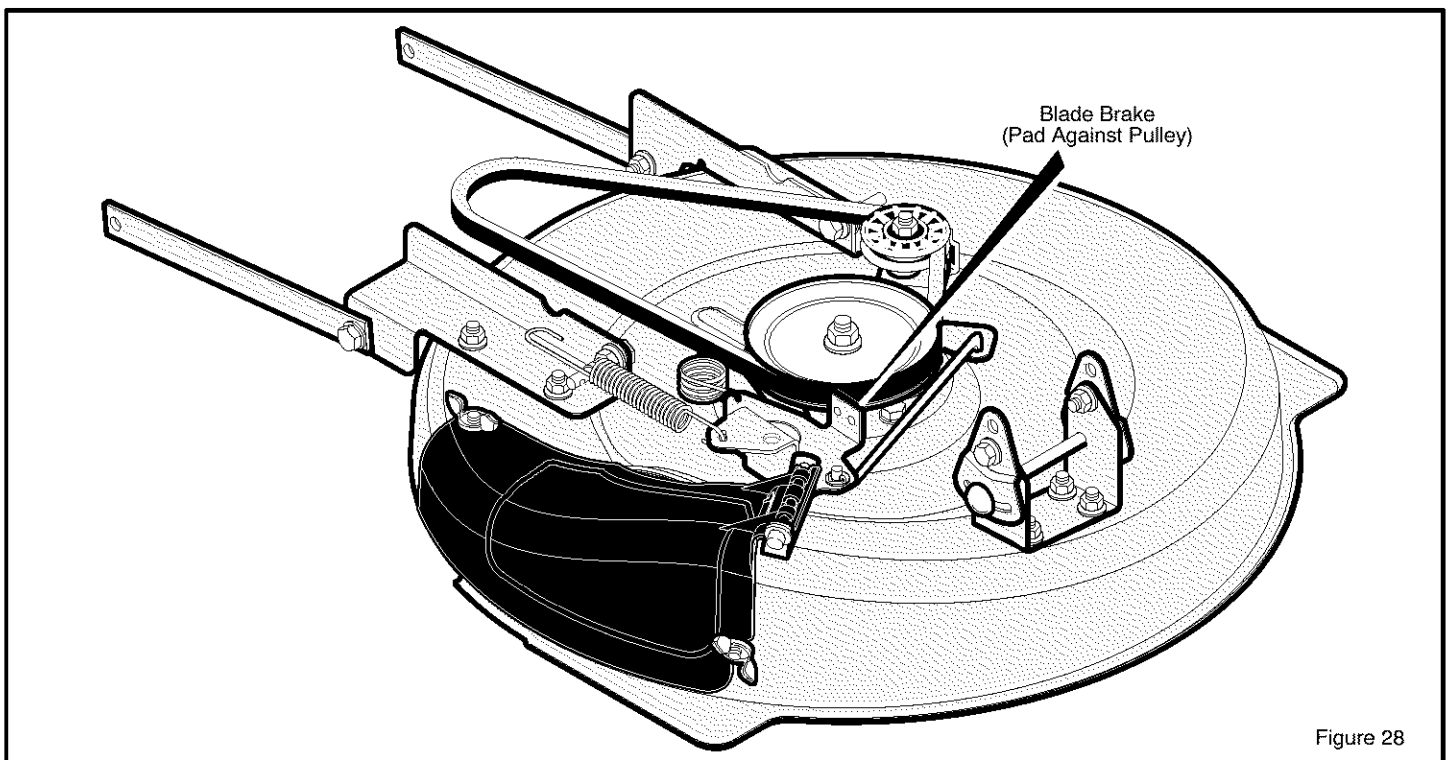


Figure 28

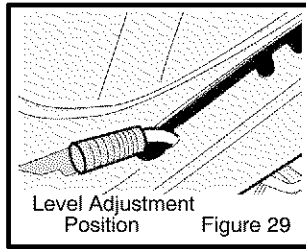
# SERVICE AND ADJUSTMENT

## HOW TO REMOVE THE MOWER HOUSING

1. Move the **attachment clutch** to the DISENGAGE position.
2. Move the **lift lever** to the level adjustment position (Figure 29).

**NOTE:** Make sure the lift lever is locked in the **LEVEL ADJUSTMENT** position.

3. Remove the hair pins and the washers from the **rear suspension arms** (Figure 30). See illustrations "C" and "D".
4. Remove the hair pins and washers from the **suspension links**. See illustrations "A" and "B".
5. Disconnect the **extension spring** from the **blade control rod**. See illustration "E".
6. Disconnect the **front hanger** from the frame support. See illustration "F".
7. Remove the **mower drive belt** from the **stack pulley**. See illustration "G".
8. Pull the mower housing away from the right side of the unit.
9. To operate without the mower housing, move the lift lever to the TOP position.



## HOW TO INSTALL THE MOWER HOUSING

1. Push the mower housing under the right side of the unit.
2. Put the **mower drive belt** around the **stack pulley**. Make sure the "V" side of the **mower drive belt** is against the **stack pulley**. Also, make sure the **mower drive belt** is not twisted.
3. Attach the **front hanger** to the frame support with the **hanger rod**. Fasten with the fasteners as shown. See illustration "F".
4. Make sure the **mower drive belt** is between the **stack pulley** and the two **belt guides**. See illustration "G".
5. Attach the **suspension links** to the **lifter assembly**. Fasten with the washers and hair pins. See illustrations "A" and "B".
6. Attach the **rear suspension arms** to the suspension brackets. Fasten with the washers and hair pins. See illustrations "C" and "D".
7. Attach the **extension spring** to the **blade control rod**. See illustration "E".
8. Move the **attachment clutch** to the ENGAGE position. Make sure the **mower drive belt** is inside all the **belt guides** and is also below the **spacer tube**.
9. Make sure the mower housing is level. See the instructions on "How To Level The Mower Housing".
10. Check the operation of the **attachment clutch**. See the instructions on "How To Adjust The Attachment Clutch".

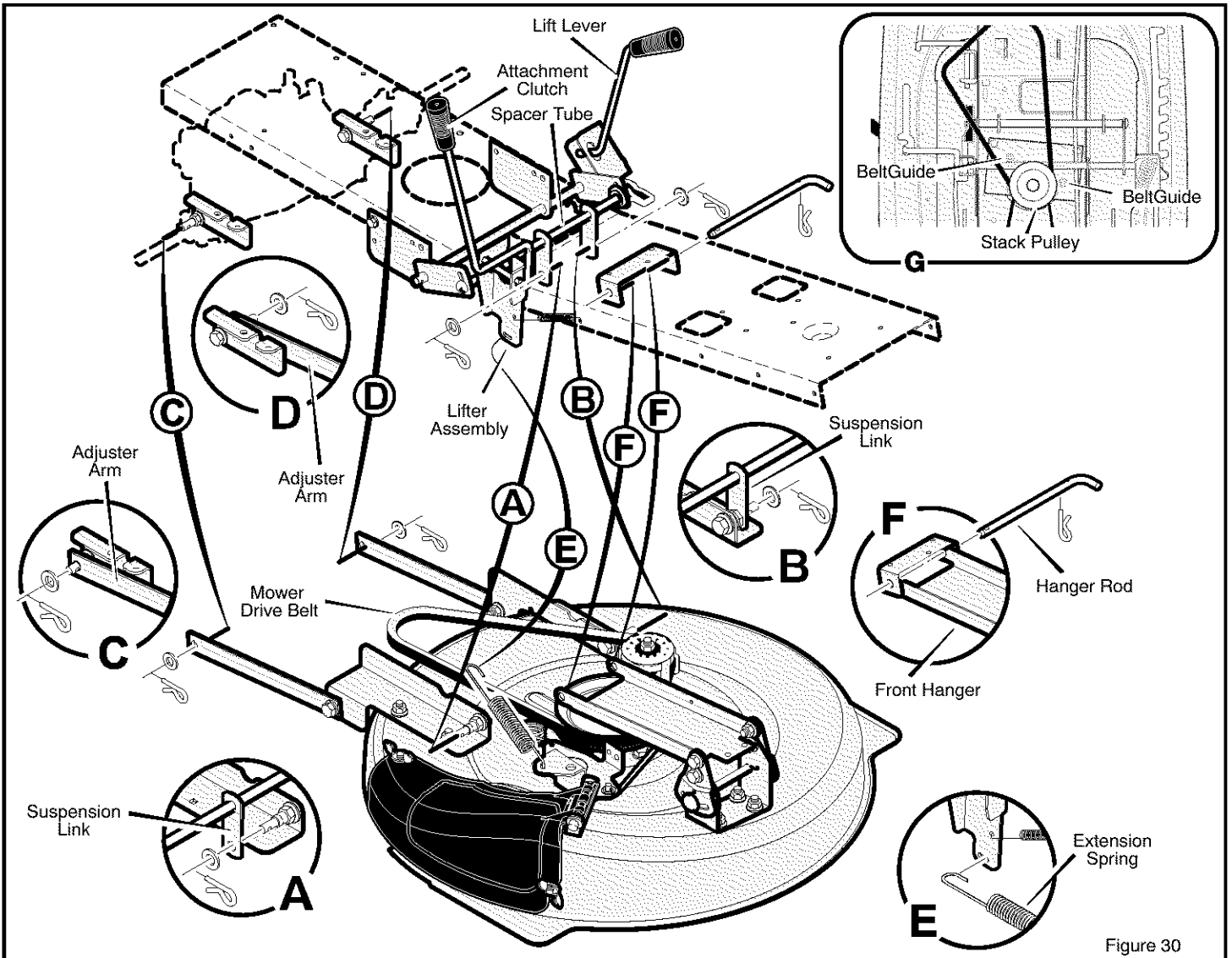


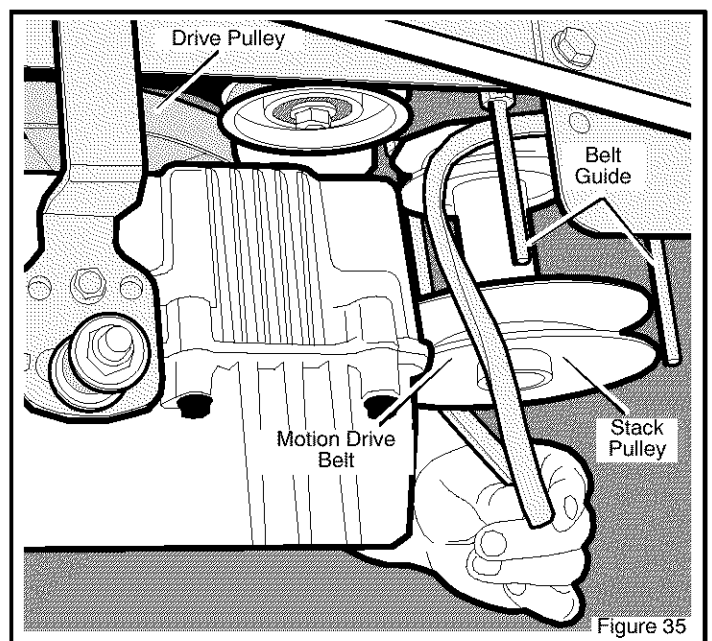
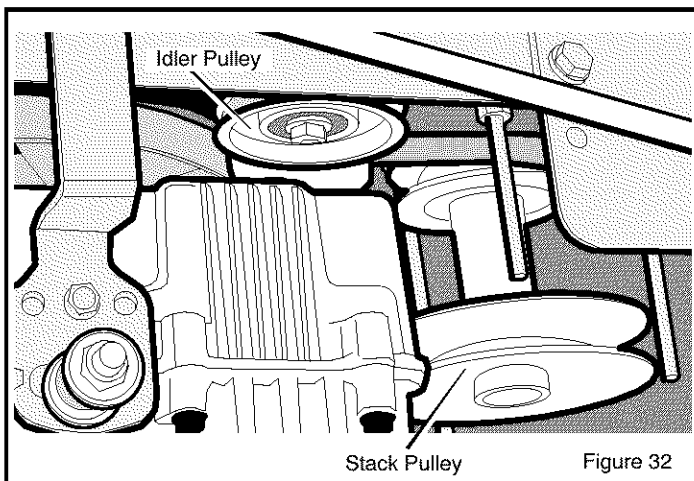
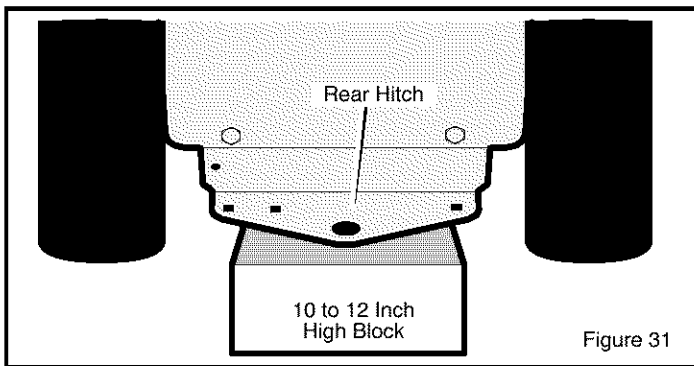
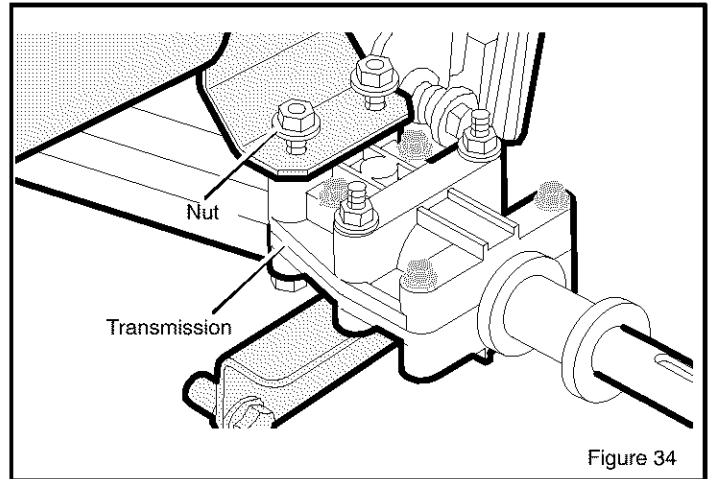
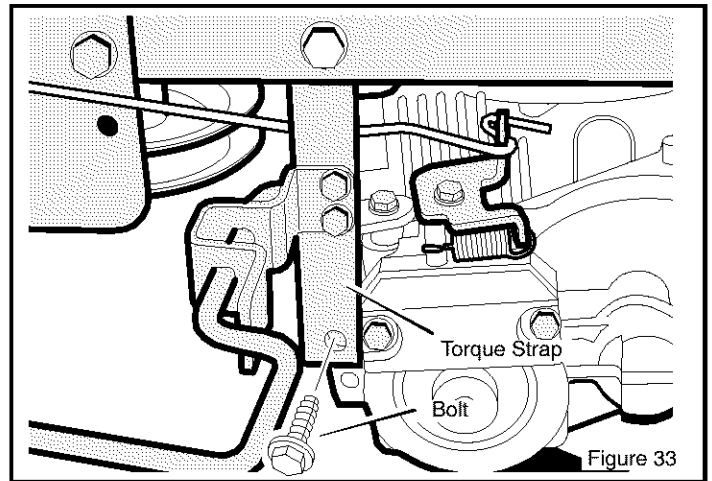
Figure 30

# SERVICE AND ADJUSTMENT

## HOW TO REPLACE THE MOTION DRIVE BELTS

### ENGINE DRIVE BELT REMOVAL

1. Remove the mower housing. See the instructions on "How To Remove The Mower Housing".
2. Set the **rear hitch** on a **10 to 12 inch block**. The block must be high enough to raise the rear wheel off the ground (see Figure 31).
3. Remove the rear wheels.
4. Remove the **idler pulley** (see Figure 32).
5. Remove the **bolt** from the **torque strap** (see Figure 33).
6. Loosen the **nuts** from each side of the **transmission** (see Figure 34). Do not remove the **nuts**. Loosen until the **nuts** are at the top of the **bolts**.
7. Slip the rear of the **motion drive belt** over the **drive pulley** and out the front of the transmission. Then, pull the **motion drive belt** down between the **belt guides** and the **stack pulley** (see Figure 35).
8. To install, reverse the above steps.
9. Install the mower housing. See the instructions on "How To Install The Mower Housing".
10. Check the operation of the drive system. See "How To Check And Adjust The Clutch" and also "How To Adjust The Speed Control Lever".



# SERVICE AND ADJUSTMENT

## HOW TO REPLACE THE MOWER DRIVE BELT

1. Remove the mower housing. See the instructions on "How To Remove The Mower Housing".
  2. Pull the **belt retainer** away from the **idler pulley** and remove the **mower drive belt** (Figure 36).
  3. Pull the **brake pad** away from the **jackshaft pulley** and remove the **mower drive belt**.
- NOTE: Replace the mower drive belt with an original equipment belt purchased from a Sears Service Center.**
4. Install the new **mower drive belt**. Pull the **brake pad** away from the **jackshaft pulley**. Put the **mower drive belt** around the **jackshaft pulley**.
  5. Pull the **belt retainer** away from the **idler pulley**. Put the **mower drive belt** around the **idler pulley**.
  6. Make sure the "V" side of the **mower drive belt** is against the **jackshaft pulley** and the **idler pulley**.
  7. Install the mower housing. See the instructions on "How To Install The Mower Housing".
  8. Before you mow, check the attachment clutch. See the instructions on "How To Adjust The Attachment Clutch".

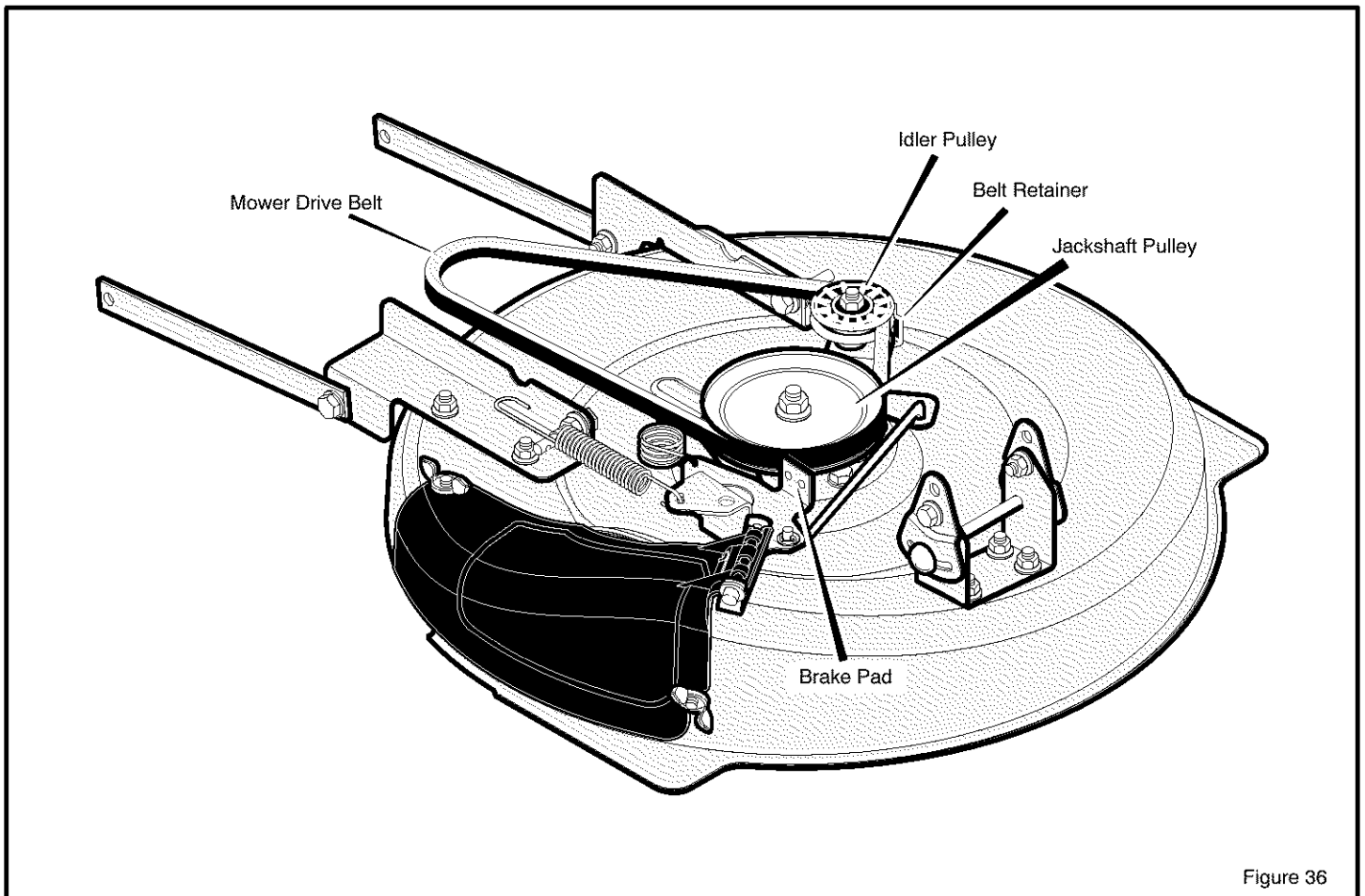


Figure 36

# SERVICE AND ADJUSTMENT

## HOW TO ADJUST THE SPEED CONTROL LEVER

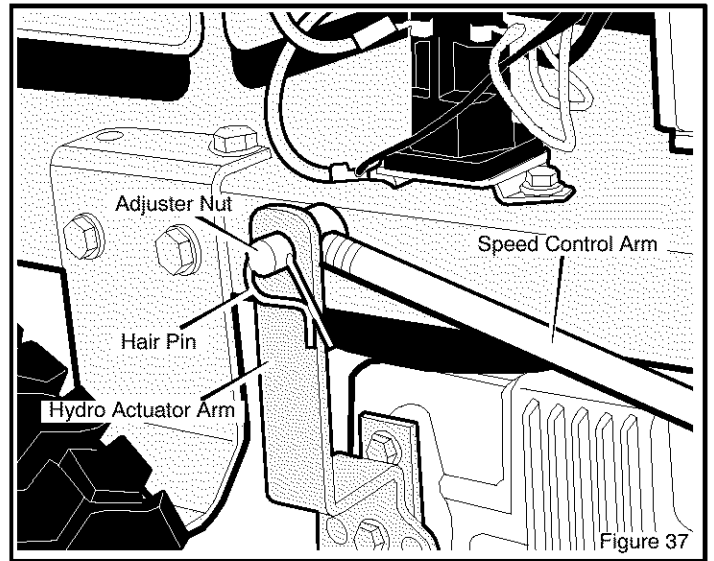


**WARNING:** Before you make an inspection, adjustment, or repair to the unit, disconnect the wire to the spark plug. Remove the wire from the spark plug to prevent the engine from starting by accident.

If a drive belt becomes worn or after the installation of a new drive belt, the speed control lever may need an adjustment. When the speed control lever is moved to the NEUTRAL position, the unit must come to a complete stop. If the unit does not come to a complete stop, adjust as follows.

1. Move the speed control lever to the NEUTRAL position.
2. Remove the **hair pin** from the **adjuster nut** (see Figure 37).
3. Disconnect the **adjuster nut** from the **hydro actuator arm**.
4. If the unit was slowly moving forward when the speed control lever was in the NEUTRAL position, then turn the **adjuster nut** clockwise (forward) one or two turns. This will *decrease* the length of the **speed control rod**.
5. If the unit was slowly moving rearward when the speed control lever was in the NEUTRAL position, then turn the **adjuster nut** counterclockwise (backward) one or two turns. This will *increase* the length of the **speed control rod**.

6. Assemble the **adjuster nut** to the **hydro actuator arm** and secure with the **hair pin**.
7. Start the engine and test drive the unit. Make sure that the unit will come to a complete stop when the speed control lever is put in the NEUTRAL position.



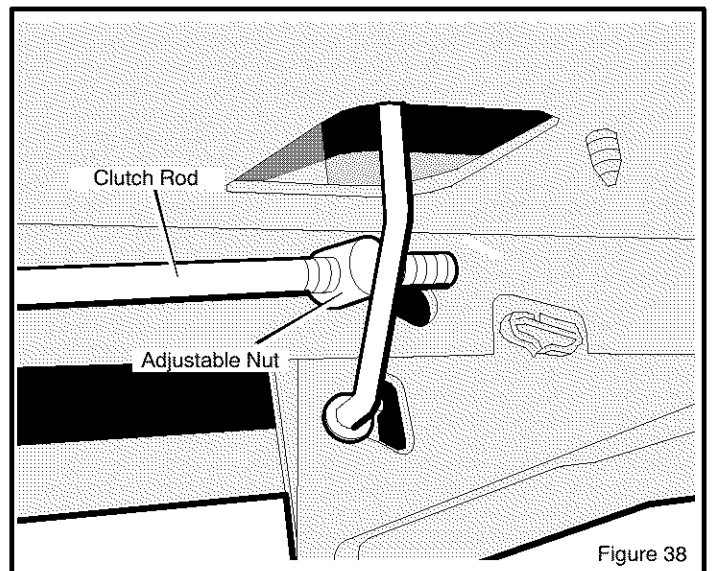
## HOW TO CHECK AND ADJUST THE CLUTCH

If the engine drive belt is loose, the clutch will slip when; (1) going up a hill, (2) pulling a heavy load, or (3) the unit will not move forward. Adjust the clutch as follows.



**WARNING:** Before you make an inspection, adjustment, or repair to the unit, disconnect the wire to the spark plug. Remove the wire from the spark plug to prevent the engine from starting by accident.

1. Remove the hair pin and washer from the **adjustable nut** (Figure 38).
2. Turn the **adjuster nut** counterclockwise (forward) to increase the movement of the pedal and tighten the belt.
3. Assemble the **adjustable nut** and fasten with the **washer** and **cotter pin**.
4. Start the engine and test drive the unit. Make sure that the clutch does not slip or that the belt does not slip.
5. If the belt still slips after the clutch has been adjusted, then the motion drive belt is worn or damaged and must be replaced. See "How To Replace The Motion Drive Belts".



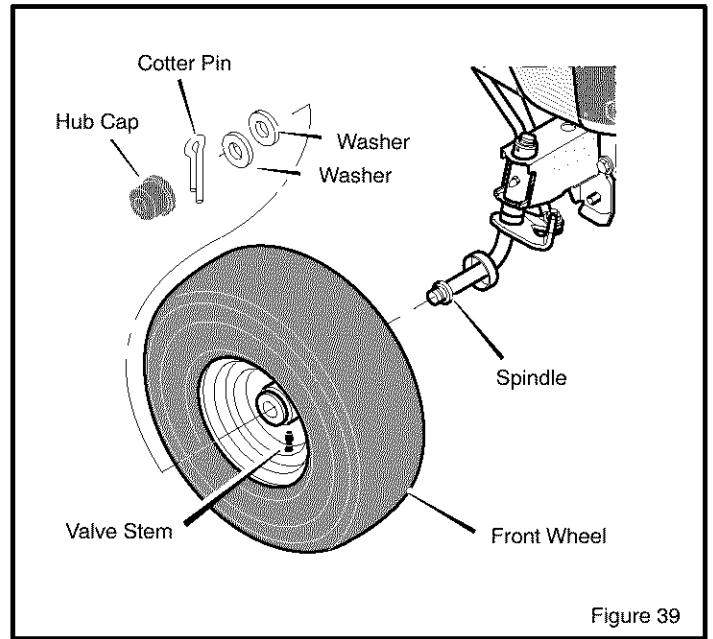
# SERVICE AND ADJUSTMENT

## HOW TO INSTALL THE WHEELS

If the wheels must be removed for service, make sure they are installed as follows.

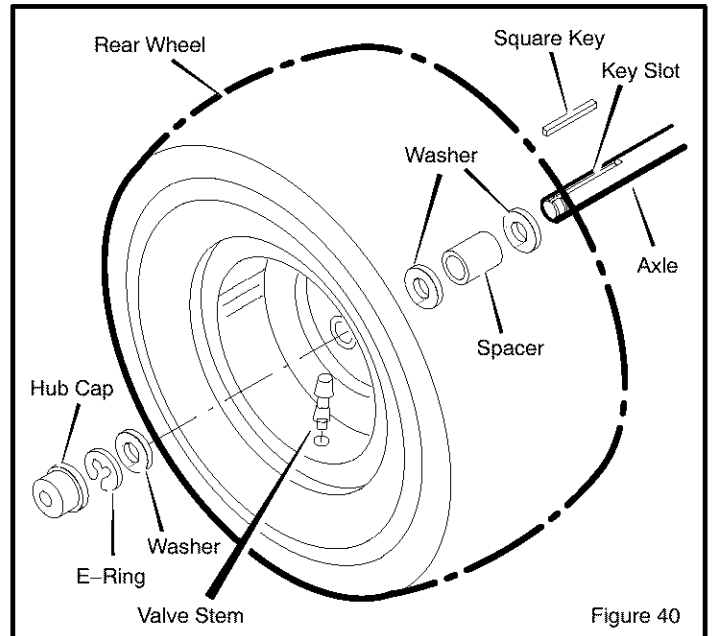
### Front Wheel

1. Make sure the **valve stem** is to the outside of the tractor. Slide the **front wheel** on the **spindle** (See Figure 39).
2. Fasten the **front wheel** with **washer** and **cotter pin**. Bend the ends of the **cotter pin** apart to keep the **front wheel** on the **spindle**.
3. If your model has **hub caps**, install the **hub caps**. Make sure the **washers** hold the **hub caps** in place.



### Rear Wheel

1. Install the **washers** and **spacer** onto the **axle** as shown in Figure 40.
2. Mount the **square key** in the **key slot** (See Figure 40).
3. Make sure the **valve stem** is to the outside of the tractor. Align the slot in the **rear wheel** with the **square key**. Slide the **rear wheel** on the **axle**.
4. Fasten the **rear wheel** with **washer** and **e-ring**.
5. If your model has **hub caps**, install the **hub caps**. Make sure the **washers** hold the **hub caps** in place.

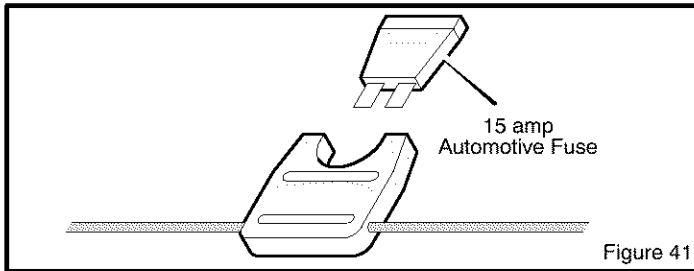




# SERVICE AND ADJUSTMENT

## HOW TO REPLACE THE FUSE

If the fuse is blown, the engine will not start. The location of the fuse is next to the battery. Remove the fuse and replace with a 15 amp. automotive fuse (Figure 41).



## HOW TO CLEAN THE MOWER HOUSING



**WARNING:** Before you clean the mower housing, stop the engine and disconnect the wire to the spark plug.

Grass and other debris on top of the mower housing can keep the belt from working correctly. For safety and correct operation, frequently clean the top of the mower housing. Remove grass and debris from around the pulleys and other moving parts.

1. Move the lever for the attachment clutch to the ENGAGE position.
2. Clean the top of the mower housing.
3. Move the lever for the attachment clutch to the DISENGAGE position.
4. Again clean the top of the mower housing.
5. After you cut the grass, clean the bottom of the mower housing.

## FRONT WHEEL ALIGNMENT

The alignment of the front wheels cannot be adjusted. If the steering is damaged and the alignment has changed, take the unit to your nearest Sears Service Center.

## STORAGE (over 30 days)

At the end of each year, prepare the unit for storage as follows.

### GENERAL INSPECTION

1. Inspect the belts. If the belts are damaged or worn, replace with replacement belts from the factory. See the belt replacement instructions in the Service And Adjustment section.
2. Make sure all nuts, bolts and screws are tight. Inspect moving parts for damage, breakage and wear. Replace if necessary.

### MOWER HOUSING

1. Clean the mower housing. See "How To Clean The Mower Housing".

### LUBRICATE THE UNIT

See the "Where To Lubricate" instructions in the Maintenance section.

## THE ENGINE

1. Clean the dirt and grass from the engine.
2. Change the oil. See the instructions, "How To Change The Oil".
3. Check the air screen. See the instructions, "How To Clean The Cooling System".
4. Check the spark plug. See the instructions, "How To Check The Spark Plug".

## THE FUEL SYSTEM



**WARNING:** Do not drain the gasoline inside a building or near a fire. Do not smoke because the fumes from the fuel can cause an explosion.

It is important to prevent gum deposits from forming in essential fuel system parts such as the carburetor, fuel filter, fuel hose or tank during storage. Also, alcohol blended fuels (called gasohol or using ethanol or methanol) can attract moisture which leads to separation and formation of acids during storage. Acidic gas can damage the fuel system of an engine while in storage.

To avoid engine problems, the fuel system should be emptied before storage of 30 days or longer. Follow these instructions:

**NOTE:** Fuel stabilizer (like STA-BIL) is an acceptable alternative in reducing the formation of fuel gum in the fuel tank and the gasoline storage container. Always follow the mix ratio located on the container of stabilizer. Run the engine at least 10 minutes after adding the stabilizer to allow the stabilizer to reach the carburetor. Do not drain the fuel tank and carburetor if stabilizer is used.

**If you do not use a stabilizer, do the following:**

1. Start the engine.
2. Run the engine until the fuel tank and the carburetor are out of fuel and the engine stops.
3. Do not leave fuel in the fuel tank or the carburetor. The fuel can damage the function of the fuel system.
4. After storage, make sure you use fresh fuel.

## THE BATTERY

1. Remove the battery.
2. Clean the battery terminals of any deposits.
3. Charge the battery. See the instructions on "How To Charge The Battery".
4. Store the battery in a cool, dry place.

**NOTE:** After a long time in storage, charge the battery.

# TROUBLESHOOTING CHART

**PROBLEM: The engine will not start.**

1. Follow the steps, "How To Start The Engine" in this book.
2. Electric-Start Models: Clean the battery terminals. Tighten the cables.
3. Drain the fuel tank. Clean the fuel line. Replace the fuel filter.
4. Remove the spark plug(s). Move the throttle to the SLOW position. Turn the ignition key to the ON position. Try to start the engine several times. Install the spark plug.
5. Replace the spark plug.
6. Adjust the carburetor.

**PROBLEM: The engine will not turn over.**

1. Follow the steps, "How To Start The Engine" in this book.
2. Electric-Start Models: Check the level of the acid in the battery. If needed, add water. Charge the battery.
3. Replace the fuse.
4. Check the wiring harness for damage or a loose connection. Repair the damaged wire.
5. Electric-Start Models: replace the solenoid. Recoil-Start Models: replace the module.

**PROBLEM: The engine is difficult to start.**

1. Adjust the carburetor.
2. Replace the spark plug.
3. Replace the fuel filter.

**PROBLEM: The engine does not run smooth or has a loss of power.**

1. Check the oil.
2. Clean the air filter.
3. Clean the air screen.
4. Replace the spark plug.
5. The engine is working too hard. Use a lower gear.
6. Adjust the carburetor.
7. Replace the fuel filter.

**PROBLEM: The engine does not run smooth at fast speed.**

1. Replace the spark plug.
2. Adjust the throttle control.
3. Clean the air filter.
4. Replace the fuel filter.

**PROBLEM: The engine stops when the blades are engaged.**

1. Check the wiring harness for damage or a loose connection. Repair the damaged wire.

**PROBLEM: On slopes, the engine stops.**

1. Mow up and down slopes. Never mow across a slope.

**PROBLEM: The engine will not idle.**

1. Replace the spark plug.
2. Clean the air filter.
3. Adjust the carburetor.
4. Adjust the throttle control.

5. Drain the fuel tank. Clean the fuel line. Replace the fuel filter.

**PROBLEM: A hot engine causes a decrease in power.**

1. Clean the air screen.
2. Check the oil.
3. Adjust the carburetor.
4. Replace the fuel filter.

**PROBLEM: Excessive vibration.**

1. Replace the blade.
2. Check for loose engine bolts.
3. Decrease the air pressure in the tires.
4. Adjust the carburetor.
5. Check for a damaged belt or damaged pulley. Replace the damaged parts.

**PROBLEM: The grass does not discharge correctly.**

1. Stop the engine. Clean the mower housing.
2. Raise the height of cut.
3. Replace or sharpen the blade(s).
4. Move the shift lever to a slower speed.
5. Move the throttle control to the FAST position.
6. Replace the spring for the blade idler.

**PROBLEM: The mower housing does not cut level.**

1. Check the air pressure in the tires.
2. Adjust the level of the mower housing.
3. Check the front axle. If the front axle does not freely pivot, loosen the axle bolt(s).

**PROBLEM: The mower blades will not rotate.**

1. Check the mower drive belt. Make sure the belt is installed correctly.
2. Replace the mower drive belt.

**PROBLEM: The unit will not move when the clutch is engaged.**

1. Check the motion drive belt. Make sure the belt is installed correctly.
2. Adjust the clutch.
3. Replace the motion drive belt.

**PROBLEM: The unit moves slower or stops when the clutch is engaged.**

1. Adjust the clutch.
2. Replace the motion drive belt.

**PROBLEM: When the clutch/brake pedal is released, belt noise can be heard.**

1. Temporary belt noise does not change the operation of the unit. If belt noise is continuous, check the routing of the belt. Make sure the belt is inside all belt guides.
2. If the noise is continuous, adjust the clutch.

**PROBLEM: The rear wheels spin over uneven terrain.**

1. Check the front axle. If the front axle does not freely pivot, loosen the axle bolt(s).

**SEARS, ROEBUCK AND CO.**  
**Federal and California Emission Control Systems Limited Warranty**  
**Small Off-Road Engines**

**CALIFORNIA & US EPA EMISSION CONTROL WARRANTY STATEMENT**

The U. S. Environmental Protection Agency ("EPA"), the California Air Resources Board ("CARB") and Sears, Roebuck and Co. are pleased to explain the Federal and California Emission Control Systems Warranty on your new small off-road engine. In California, new 1995 and later small off-road engines must be designed, built and equipped to meet the State's stringent anti-smog standards. In other states, new 1997 and later model year engines must be designed, built and equipped, at the time of sale, to meet the U.S. EPA regulations for small non-road engines. Sears, Roebuck and Co. will warrant the emission control system on your small off-road engine for the periods of time listed below, provided there has been no abuse, neglect, unapproved modification, or improper maintenance of your small off-road engine.

Your emission control system may include parts such as the carburetor, ignition system and exhaust system. Also included may be the compression release system and other emission-related assemblies.

Where a warrantable condition exists, Sears, Roebuck and Co. will repair your small off-road engine at no cost to you for diagnosis, parts and labor.

**MANUFACTURER'S EMISSION CONTROL SYSTEM WARRANTY COVERAGE**

Emission control systems on 1995 and later model year California small off-road engines are warranted for two years as hereinafter noted. In other states, 1997 and later model year engines are also warranted for two years. If, during such warranty period, any emission-related part on your engine is defective in materials or workmanship, the part will be repaired or replaced by Sears, Roebuck and Co.

**OWNER'S WARRANTY RESPONSIBILITIES**

As the small off-road engine owner, you are responsible for the performance of the required maintenance listed in your Owner's Manual, but Sears, Roebuck and Co. will not deny warranty solely due to the lack of receipts or for your failure to provide written evidence of the performance of all scheduled maintenance.

As the small off-road engine owner, you should, however, be aware that Sears, Roebuck and Co. may deny you warranty coverage if your small off-road engine or a part thereof has failed due to abuse, neglect, improper maintenance or unapproved modifications.

You are responsible for presenting your small off-road engine to a Sears, Roebuck and Co. Authorized Service Outlet as soon as a problem exists. The warranty repairs should be completed in a reasonable amount of time, not to exceed 30 days.

Warranty service can be arranged by contacting either a Sears, Roebuck and Co. Authorized Service Outlet, or by contacting Sears, Roebuck and Co. at 1-800-473-7247.

**IMPORTANT NOTE**

Esta This warranty statement explains your rights and obligations under the Emission Control System Warranty ("ECS Warranty") which is provided to you by Sears, Roebuck and Co. pursuant to California law. See also the Sears, Roebuck and Co. Limited Warranties for Sears, Roebuck and Co. which is enclosed therewith on a separate sheet and also is provided to you by Sears, Roebuck and Co. The ECS Warranty applies only to the emission control system of your new engine. To the extent that there is any conflict in terms between the ECS Warranty and the Sears, Roebuck and Co. Warranty, the ECS Warranty shall apply except in any circumstances in which the Sears, Roebuck and Co. Warranty may provide a longer warranty period. Both the ECS Warranty and the Sears, Roebuck and Co. Warranty describe important rights and obligations with respect to your new engine.

Warranty service can only be performed by a Sears, Roebuck and Co. Authorized Service Outlet. At the time of requesting warranty service, evidence F-030614L

must be presented of the date of sale to the original purchaser. The purchaser shall pay any charges for making service calls and/or for transporting the products to and from the place where the inspection and/or warranty work is performed. The purchaser shall be responsible for any damage or loss incurred in connection with the transportation of any engine or any part(s) thereof submitted for inspection and/or warranty work.

If you have any questions regarding your warranty rights and responsibilities, you should contact Sears, Roebuck and Co. at 1-800-473-7247.

**EMISSION CONTROL SYSTEM WARRANTY**

Emission Control System Warranty ("ECS Warranty") for 1995 and later model year California small off-road engines (for other states, 1997 and later model year engines):

**A. APPLICABILITY:** This warranty shall apply to 1995 and later model year California small off-road engines (for other states, 1997 and later model year engines). The ECS Warranty Period shall begin on the date the new engine or equipment is delivered to its original, end-use purchaser, and shall continue for 24 consecutive months thereafter.

**B. GENERAL EMISSIONS WARRANTY COVERAGE:** Sears, Roebuck and Co. warrants to the original, end-use purchaser of the new engine or equipment and to each subsequent purchaser that each of its small off-road engines is:

1. Designed, built and equipped so as to conform with all applicable regulations adopted by the Air Resources Board pursuant to its authority in Chapters 1 and 2, Part 5, Division 26 of the Health and Safety Code, and

2. Free from defects in materials and workmanship which, at any time during the ECS Warranty Period, will cause a warranted emissions-related part to fail to be identical in all material respects to the part as described in the engine manufacturer's application for certification.

C. The ECS Warranty only pertains to emissions-related parts on your engine, as follows:

1. Any warranted, emissions-related parts which are not scheduled for replacement as required maintenance in the Owner's Manual shall be warranted for the ECS Warranty Period. If any such part fails during the ECS Warranty Period, it shall be repaired or replaced by Sears, Roebuck and Co. according to Subsection 4 below. Any such part repaired or replaced under the ECS Warranty shall be warranted for any remainder of the ECS Warranty Period.

2. Any warranted, emissions-related part which is scheduled only for regular inspection as specified in the Owner's Manual shall be warranted for the ECS Warranty Period. A statement in such written instructions to the effect of "repair or replace as necessary", shall not reduce the ECS Warranty Period. Any such part repaired or replaced under the ECS Warranty shall be warranted for the remainder of the ECS Warranty Period.

3. Any warranted, emissions-related part which is scheduled for replacement as required maintenance in the Owner's Manual, shall be warranted for the period of time prior to the first scheduled replacement point for that part. If the part fails prior to the first scheduled replacement, the part shall be repaired or replaced by Sears, Roebuck and Co. according to Subsection 4 below. Any such emissions-related part repaired or replaced under the ECS Warranty, shall be warranted for the remainder of the ECS Warranty Period prior to the first scheduled replacement point for such emissions-related part.

4. Repair or replacement of any warranted, emissions-related part under this ECS Warranty shall be performed at no charge to the owner at a Sears, Roebuck and Co. Authorized Service Outlet.

5. The owner shall not be charged for diagnostic labor which leads to the determination that a part covered by the ECS Warranty is in fact defective, provided that such diagnostic work is performed at a Sears, Roebuck and Co. Authorized Service Outlet.

6. Sears, Roebuck and Co. shall be liable for damages to other original engine components or approved modifications proximately caused by a failure under warranty of an emission-related part covered by the ECS Warranty.

7. Throughout the ECS Warranty Period, Sears, Roebuck and Co. shall maintain a supply of warranted emission-related parts sufficient to meet the expected demand for such emission-related parts.

8. Any Sears, Roebuck and Co. authorized and approved emission-related replacement part may be used in the performance of any ECS Warranty maintenance or repair and will be provided without charge to the owner. Such use shall not reduce Sears, Roebuck and Co. ECS Warranty obligations.

9. Unapproved add-on or modified parts may not be used to modify or repair a Sears, Roebuck and Co. engine. Such use voids this ECS Warranty and shall be sufficient grounds for disallowing an ECS Warranty claim. Sears, Roebuck and Co. shall not be liable hereunder for failures of any warranted parts of a Sears, Roebuck and Co. engine caused by the use of such an unapproved add-on or modified part.

**EMISSION-RELATED PARTS INCLUDE THE FOLLOWING:**

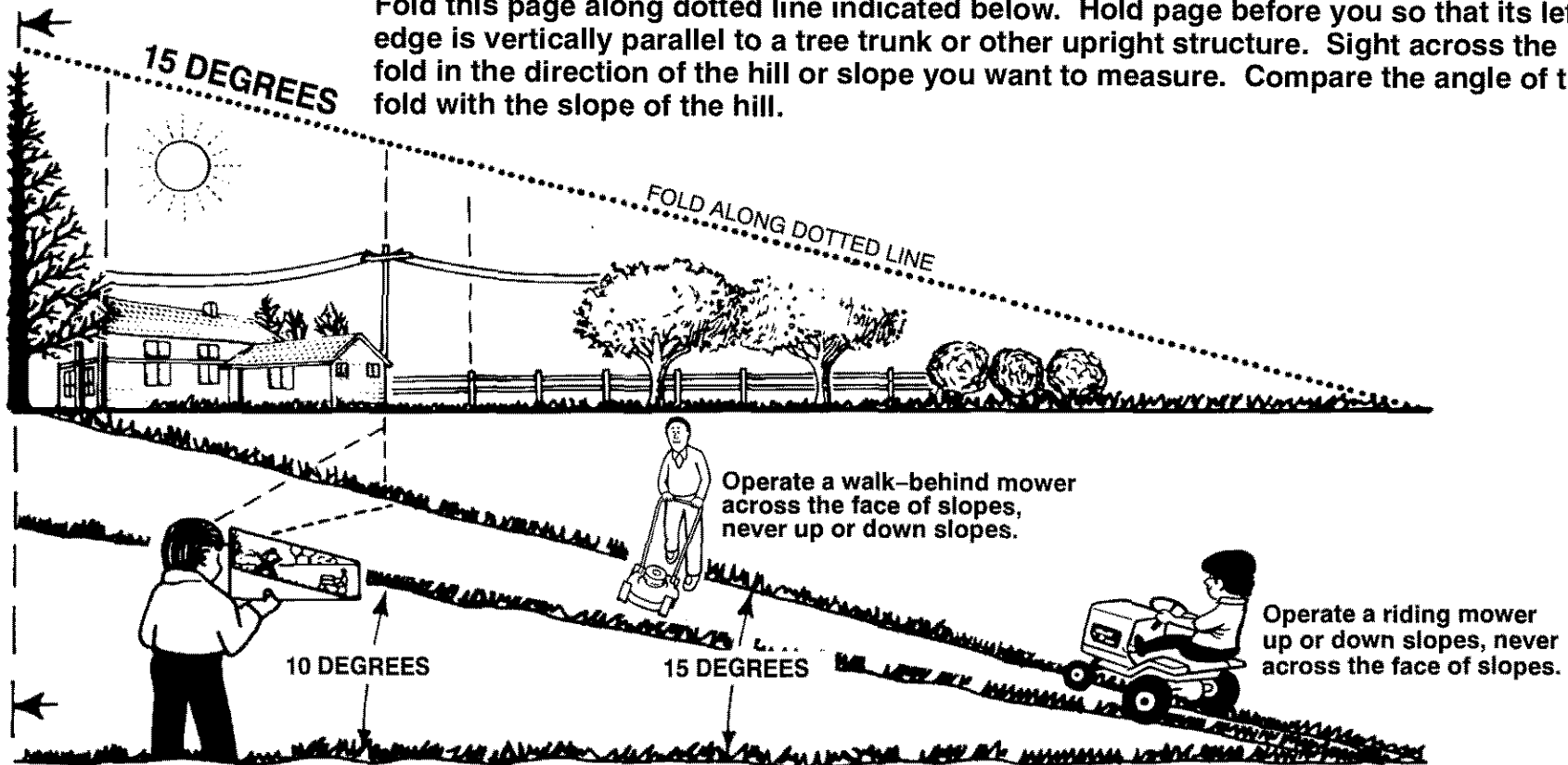
1. Carburetor Assembly and its Internal Components
  - a) Fuel filter
  - b) Carburetor gaskets
  - c) Intake pipe
2. Air Cleaner Assembly
  - a) Air filter element
3. Ignition System, including:
  - a) Spark plug
  - b) Ignition module
  - c) Flywheel assembly
4. Catalytic Muffler (if so equipped)
  - a) Muffler gasket (if so equipped)
  - b) Exhaust manifold (if so equipped)
5. Crankcase Breather Assembly and its Components
  - a) Breather connection tube

10/22/99 EPA/CARB

**Sears, Roebuck and Co., Hoffman Estates, IL 60179 U.S.A.**

# SLOPE GUIDE

Fold this page along dotted line indicated below. Hold page before you so that its left edge is vertically parallel to a tree trunk or other upright structure. Sight across the fold in the direction of the hill or slope you want to measure. Compare the angle of the fold with the slope of the hill.



On a riding mower to determine if a slope is safe to mow: (1) disengage the blade(s), (2) put the unit in reverse, and (3) try to back straight up the slope. If you can back up the slope, it is generally safe to mow. However, if you do not feel safe, or you are not completely sure, use this guide to determine the slope angle.



**WARNING:** To avoid possible serious injury, do not mow a slope that is greater than 15 degrees. If the riding mower is used with a pull-behind or rear-mounted attachment, do not operate the unit on a slope that is greater than 10 degrees.

-----  
CUT HERE TO USE SLOPE GUIDE

# MODEL 536.270280

# REPAIR PARTS CHASSIS & HOOD



# MODEL 536.270280

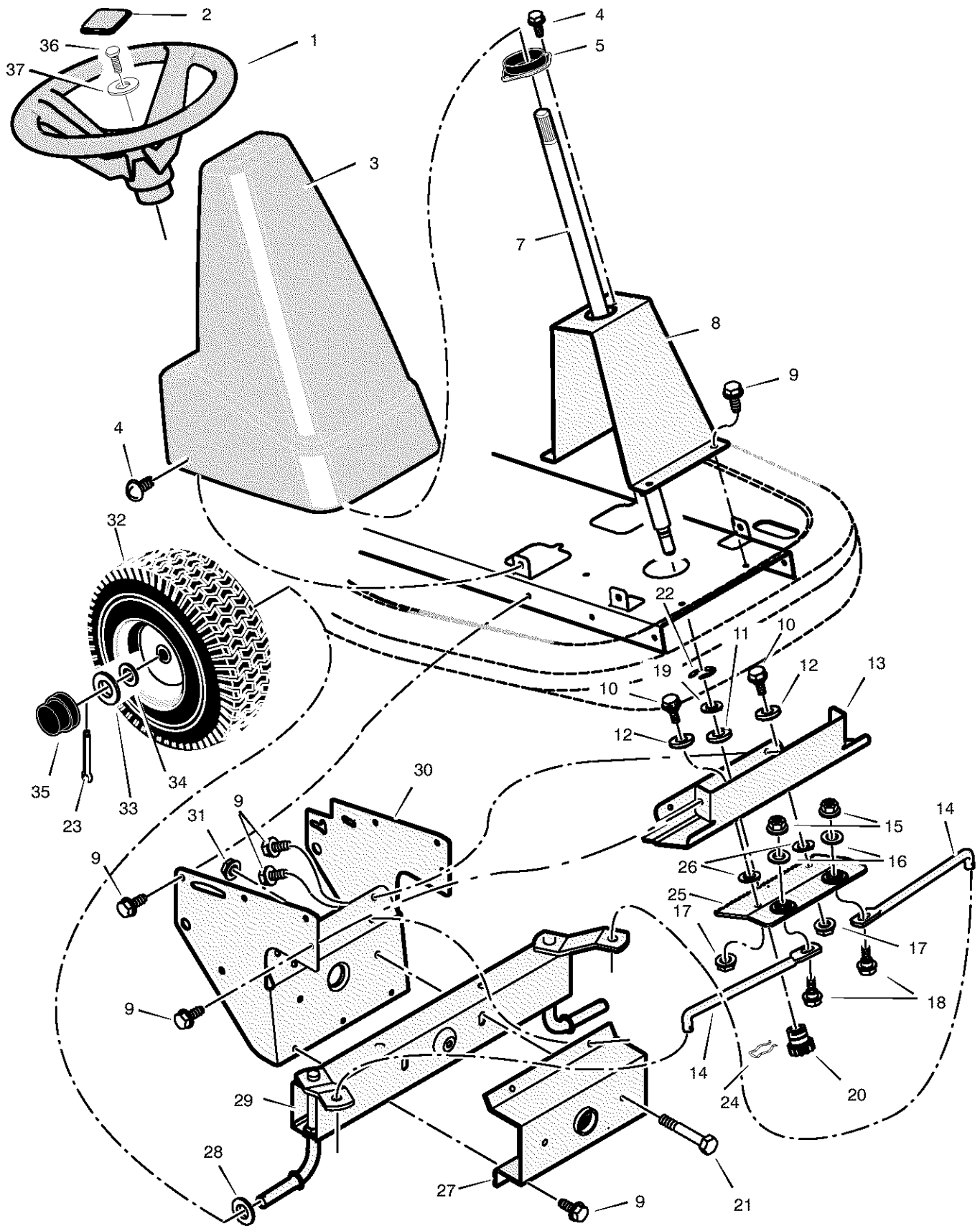
# REPAIR PARTS CHASSIS & HOOD

Key No.	Part No.	Description	Key No.	Part No.	Description
1	690566	Seat	25	26x263	Screw
2	1401027E201	Hood	26	1401110	Rod, Hood Prop
3	017x47	Washer	27	1401147	Spring, Seat Deck
4	1001054	Bolt, Wing	28	1401297E701	Bracket, Prop Rod
5	002x53	Bolt, Carriage	29	26x201	Screw
6	1401036E701	Bracket, Hinge	30	15x116	Nut, NY-Lock
7	009x29	Bolt, Shoulder	31	1401248	Control, Throttle
8	009x56	Bolt, Shoulder	32	1401084	Cover, Detent (Black)
10	1401113	Rod, Battery	33	009x47	Bolt, Shoulder
11	015x84	Nut, Flange	36	1401145	Footmat, Left (Black)
12	1401025E701	Plate, Rear	37	1401144	Footmat, Right (Black)
13	26x249	Screw	39	1401298E701	Frame
14	1401050E701	Plate, Hitch	40	1401316E201	Deck, Seat
15	1401087	Cover	41	094744	Bumper
16	26x263	Screw	42	15x116	Nut *
17	1401076E701	Tray, Battery	43	0025x2	Screw
18	015x79	Nut, Flange	44	7601036	Kit, Foil Heat Shield
19	017x37	Washer	45	1401073	Trim, Left
20	0031x6	Pin, Cotter	46	1401072	Trim, Right
21	092317	Cap, Fuel Tank *	47	0193x1	Fastener, Panel
22	7601040	Tank, Fuel	49	1401331	Cover, Long Black
23	06x111	Screw *	50	028x78	Nut, Push
24	26x253	Screw	--	F-030614L	Book, Instruction

\* These parts are included when ordering Key number 22.

# MODEL 536.270280

# REPAIR PARTS STEERING





# MODEL 536.270280

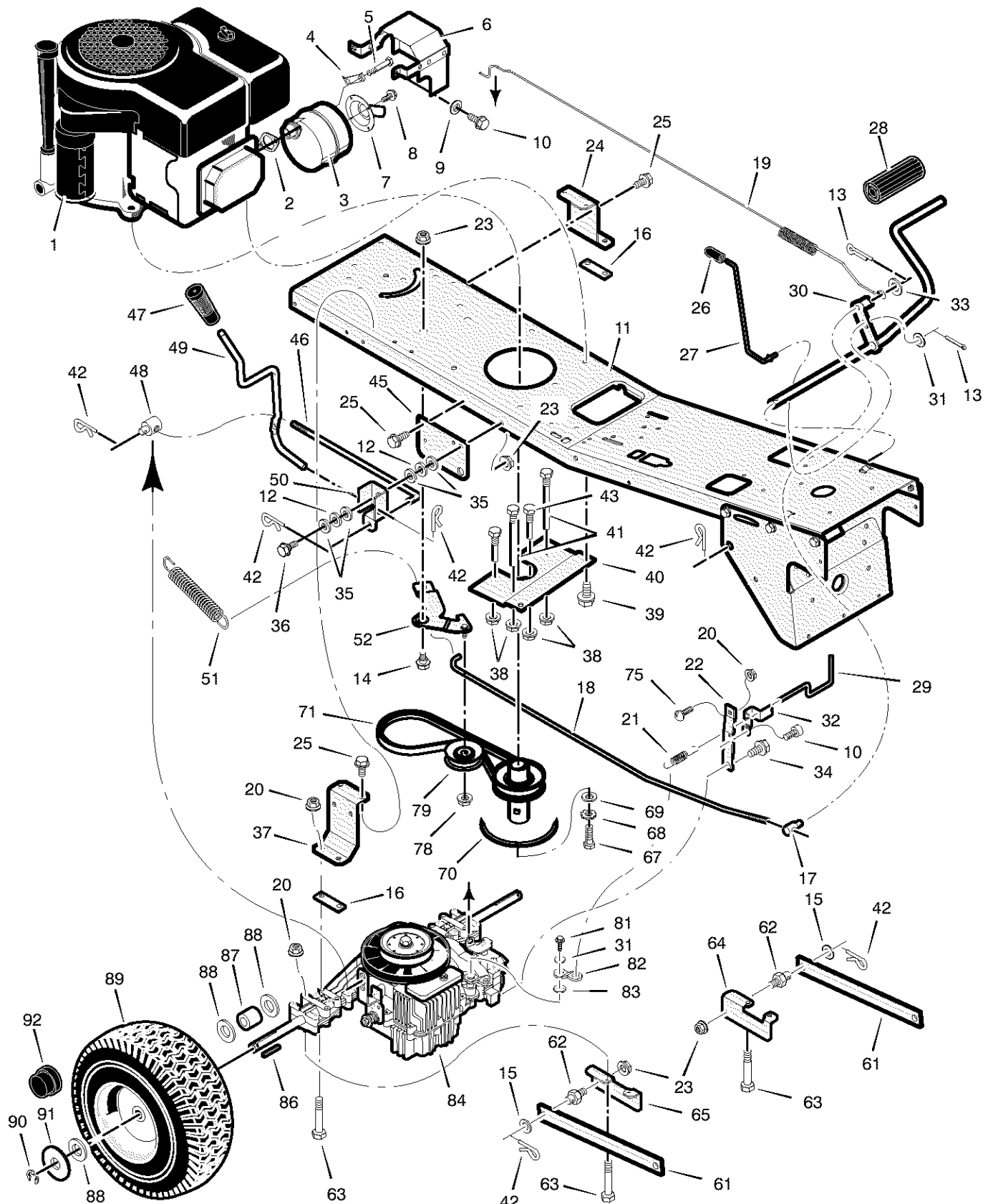
# REPAIR PARTS STEERING

Key No.	Part No.	Description	Key No.	Part No.	Description
1	095185	Wheel, Steering	20	1401099	Gear, Pinion
2	0711326	Cap, Steering (Black)	21	01x146	Bolt, Hex
3	1401067	Console, High (Black)	22	011x28	E-Ring, Retainer
4	26x270	Screw	23	030x35	Pin, Cotter
5	1401090	Bearing, Upper Steering	24	094131	Retainer, Spring
7	1401100	Shaft, Steering	25	1401046E701	Rack, Steering
8	1401055E701	Support, Steering	26	17x102	Washer
9	26x249	Screw	27	1401060E701	Bracket, Axle Front
10	009x67	Bolt, Shoulder	28	17x157	Washer
11	1401098	Bearing, Lower Steering	29	1401250E701	Axle & Spindle Assembly
12	1401102	Roller	30	1401059E701	Bracket, Support
13	1401058E701	Plate, Gear Mounting	31	15x118	Nut, Flange
14	1401123E701	Link, Drag	32	1401143	Wheel, Front
15	015x84	Nut, Flange	33	17x197	Washer
16	17x104	Washer	34	17x157	Washer
17	015x88	Nut, Flange	35	094618	Cap, Hub
18	01x111	Bolt, Hex	36	0025x3	Bolt
19	17x118	Washer	37	17x146	Washer

\* When you order a tire, make sure to give the brand name of the tire so that the tread pattern on the tire will match.

# MODEL 536.270280

# REPAIR PARTS MOTION DRIVE



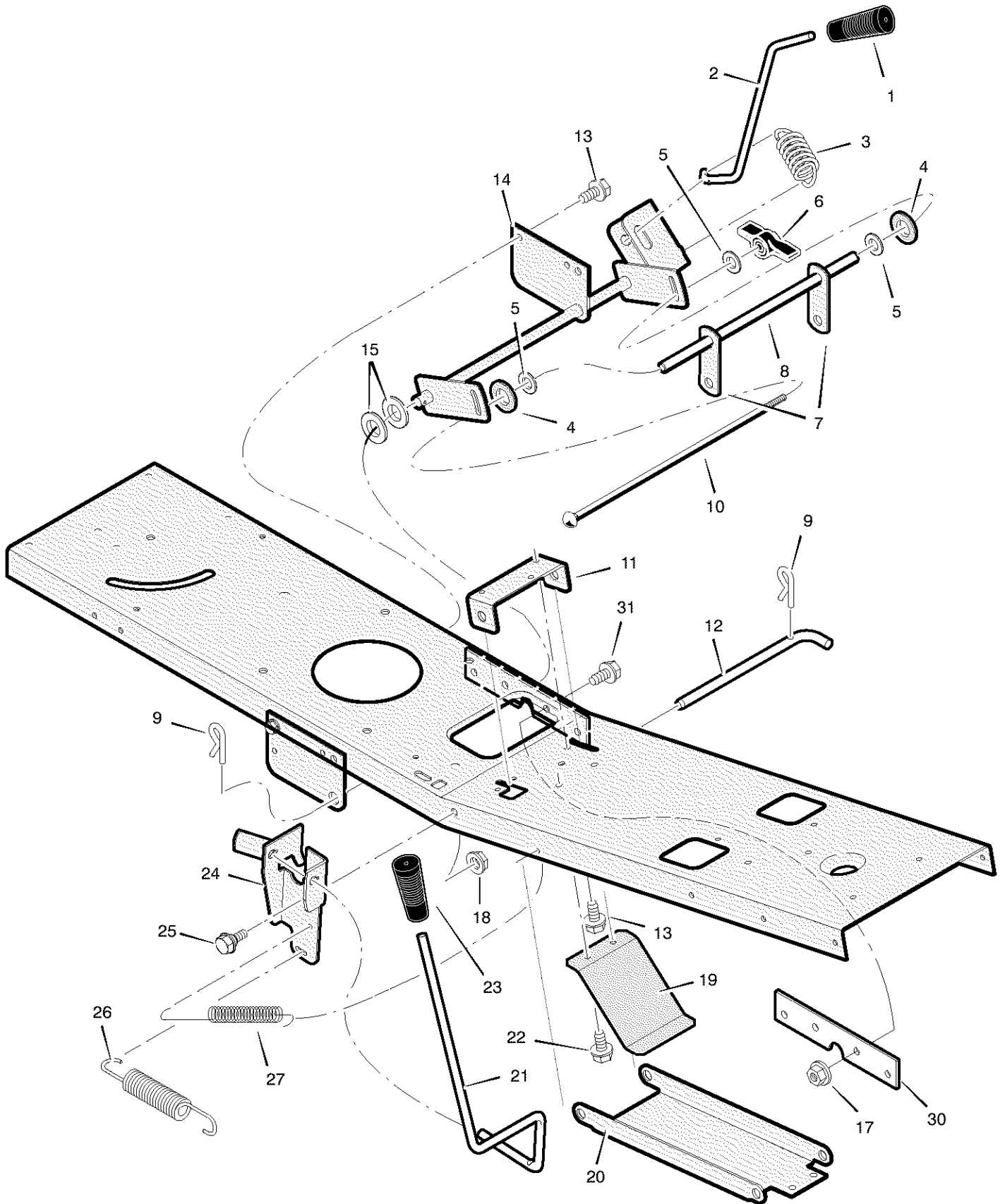
# MODEL 536.270280

# REPAIR PARTS MOTION DRIVE

Key No.	Part No.	Description	Key No.	Part No.	Description
1	-----	Engine	40	1401057E701	Plate, Belt Guide
2	091309	Gasket, Muffler	41	1401105	Guide, Belt –Long
3	091271	Muffler	42	031x4	Pin, Hair
4	092378	Lock, Muffler Screw	43	1401104	Guide, Belt –Short
5	01x134	Bolt, Hex	45	1401299E701	Bracket, Lift Pivot
6	1401207	Shield, Heat	46	1401307 Z	Rod, Shift Link
7	1401204	Tube, Exhaust	47	092697	Grip
8	26x208	Screw	48	1401148	Nut, Adjusting
9	018x32	Washer, Lock	49	1401328	Lever, Shift
10	0025x2	Screw	50	1401306E701	Bracket, Pivot
11	1401298E700	Frame	51	165x147	Spring, Variator Drive
12	1401318	Bearing, Thrust Washer	52	1401312	Arm, Idler
13	030x20	Pin, Cotter	61	1401031E701	Arm, Rear
14	009x39	Bolt, Shoulder	62	094067	Pin, Threaded
15	17x102	Washer	63	01x155	Bolt, Hex
16	1401334 Z	Plate, Transaxle	64	1401325E701	Bracket, Left Rear Hanger
17	094815	Nut, Adjusting	65	1401324E701	Bracket, Right Rear Hanger
18	1401305	Rod, Clutch Hydro	67	01x140	Bolt, Hex
19	165x165	Spring, Brake	68	019x35	Lockwasher
20	015x88	Nut	69	17x170	Washer
21	165x166	Spring, Roll Release	70	1401308	Pulley Stack
22	1401300	Bracket, Torque Strap	71	37x129	Belt, Drive
23	015x84	Nut	75	002x53	Bolt, Carriage
24	1401268E701	Bracket, Left Transaxle	78	015x98	Locknut
25	26x249	Screw	79	1401309	Pulley, Idler
26	091079	Grip	81	06x105	Cap Screw
27	1401112	Rod, Parking Brake	82	1401086 Z	Arm, Disconnect
28	021544	Pedal	83	17x148	Washer
29	1401304 Z	Rod, Roll Release	84	-----	Transaxle
30	1401127E701	Rod, Clutch/Brake	86	056534	Key, Square
31	017x38	Washer	87	1401103	Spacer, Rear Wheel
32	1401303E701	Bracket, Roll Release	88	17x160	Washer
33	017x53	Washer	89	1401120	Wheel & Tire Assembly
34	26x216	Screw	--		Tire (ONLY)
35	1401319	Washer, Thrust Bearing	--		Tube (ONLY)
36	009x75	Bolt, Shoulder	90	0011x3	E–Ring
37	1401042E701	Bracket, Right Transaxle	91	17x195	Washer
38	015x79	Nut	92	094618	Hub Cap
39	025x7	Screw			

MODEL 536.270280

# REPAIR PARTS MOWER HOUSING SUSPENSION



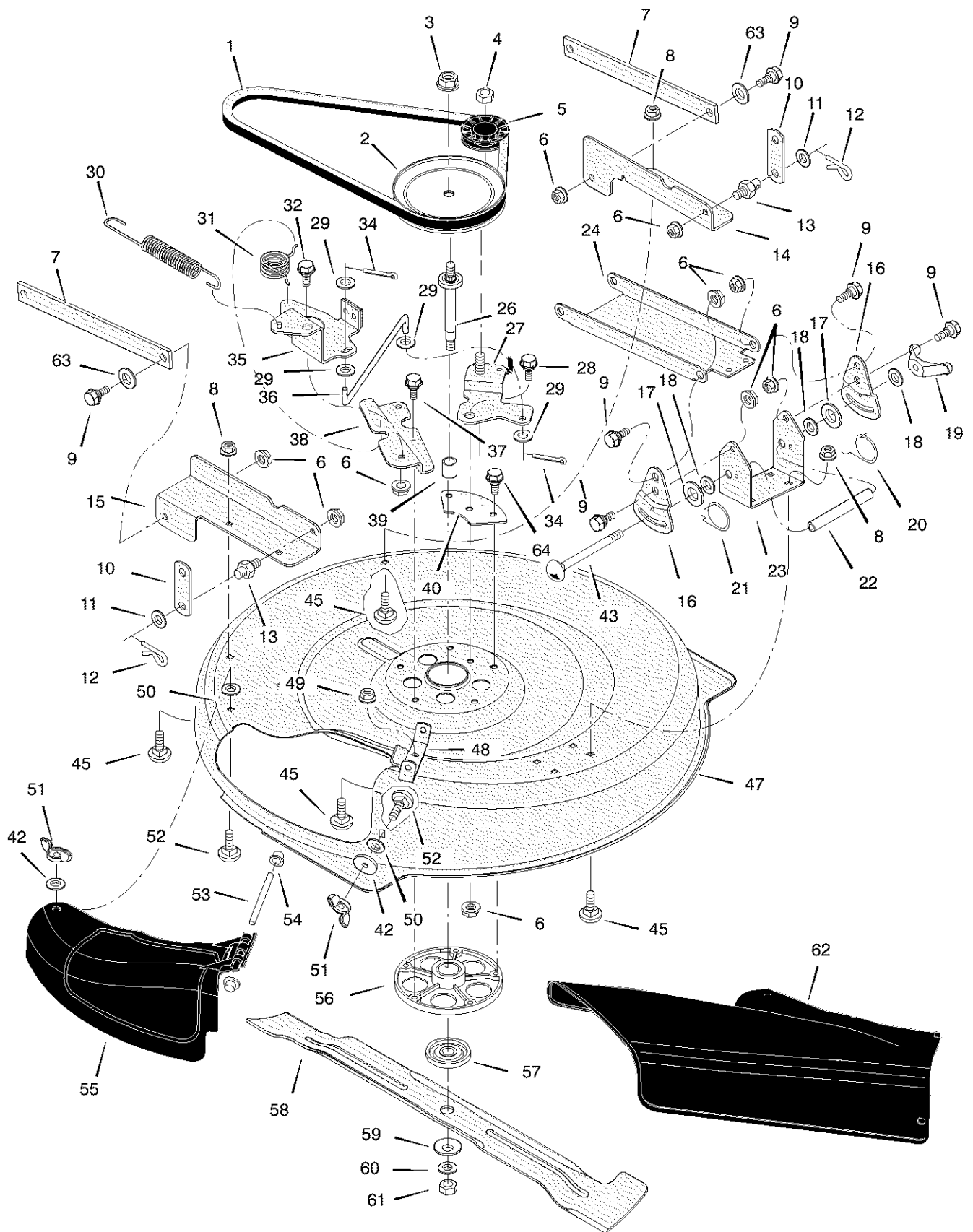
# MODEL 536.270280

# REPAIR PARTS MOWER HOUSING SUSPENSION

Key No.	Part No.	Description	Key No.	Part No.	Description
1	092697	Grip, Lift Lever	15	17x206	Washer
2	1401117	Lever, Lift	17	015x79	Nut, Flange
3	165x154	Spring, Extension	18	015x84	Nut, Flange
4	094137	Pad, Friction	19	1401147	Spring, Leaf
5	017x45	Washer	20	1401040	Hanger, Front
6	095004	Wingnut	21	1401116	Lever, PTO
7	1401033E701	Link, Lift	22	26x263	Screw
8	1401096	Tube, Spacer	23	094198	Grip, PTO
9	0031x4	Pin, Hair	24	1401199E701	Bracket, PTO
10	002x93	Bolt, Carriage	25	009x42	Bolt, Shoulder
11	1401030E701	Bracket, Front Hanger Pivot	26	165x157	Spring, Extension
12	1401118	Pin, Front Hanger	27	165x92	Spring, Extension
13	26x249	Screw	30	1401260	Plate, Reinforcement
14	1401129E701	Arm Assembly, Lifter	31	26x267	Screw

# MODEL 536.270280

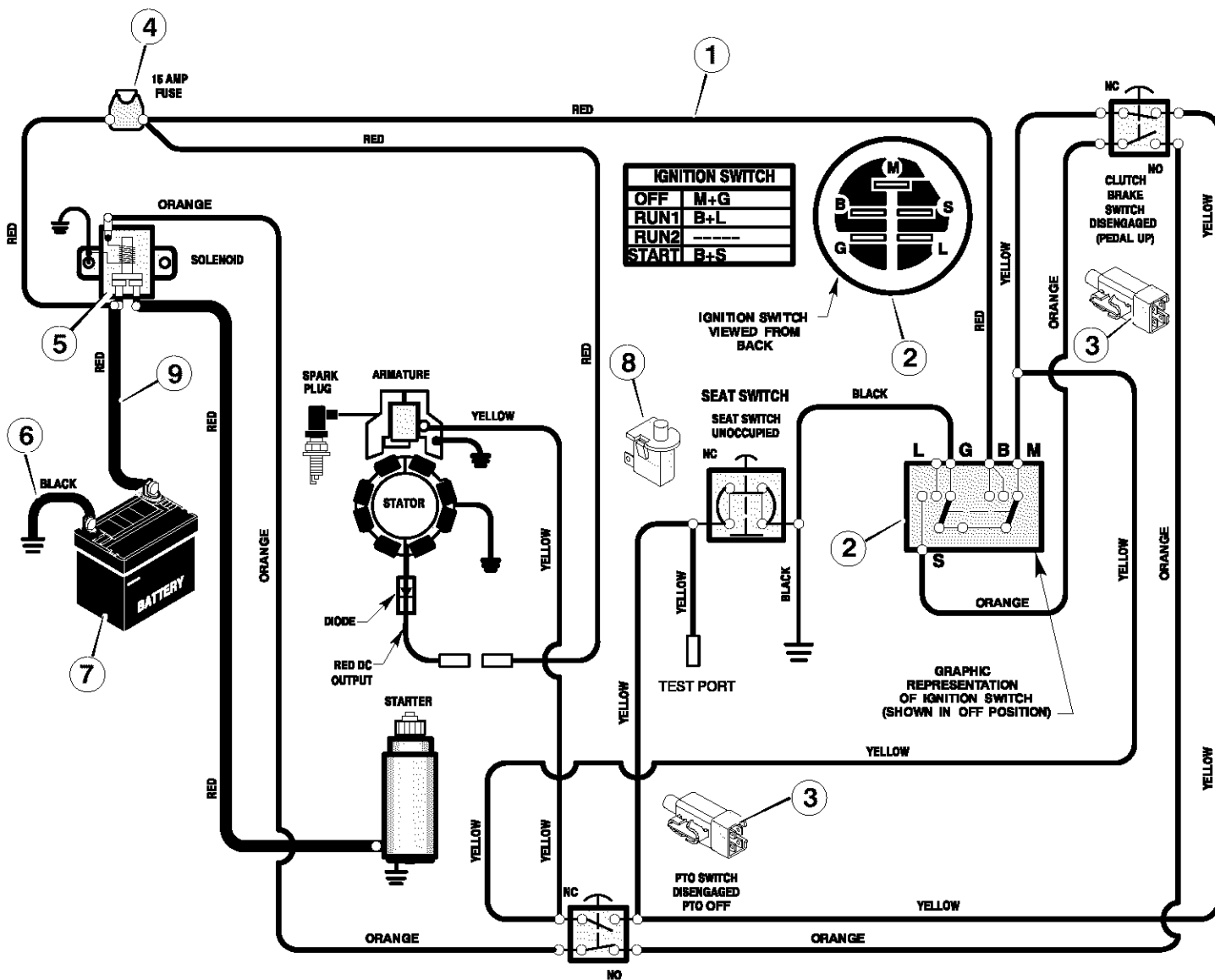
# REPAIR PARTS MOWER HOUSING



# MODEL 536.270280

# REPAIR PARTS MOWER HOUSING

Key No.	Part No.	Description	Key No.	Part No.	Description
1	37x111	Belt, Blade Drive	32	009x42	Bolt, Shoulder
2	1401092	Pulley, Input	34	030x20	Pin, Cotter
3	15x140	Locknut	35	1401185E701	Arm Assembly, Brake
4	015x98	Nut, Flange	36	1401119	Link, Idler Arm
5	1401252	Pulley, Idler	37	0025x7	Bolt
6	015x84	Nut, Flange	38	1401052E701	Bracket, Brake Mounting
7	1401031E701	Arm, Rear	39	1401094	Spacer, Jackshaft
8	015x79	Nut, Flange	40	1401259 Z	Plate, Idler Mounting
9	009x58	Bolt, Shoulder	42	019x45	Washer
10	1401033E701	Link, Lift	43	002x94	Bolt, Carriage
11	17x102	Washer	45	002x53	Bolt, Carriage
12	0031x4	Pin, Hair	47	1401028E701	Housing, Blade
13	094067	Pin, Threaded Shoulder	48	1401106E701	Hinge, Mulching Cover
14	1401047E701	Bracket, Left Rear	49	015x88	Nut, Flange
15	1401296E701	Bracket, Right Rear	50	028x76	Nut, Speed
16	1401038E701	Plate, Adjustment	51	014x86	Wingnut
17	094137	Pad, Friction	52	002x74	Bolt, Carriage
18	017x45	Washer	53	091767 Z	Rod, Chute Deflector
19	095004	Wingnut	54	028x23	Cap, Push
20	166x43	Spring, Left Torsion	55	1401080	Cover, Mulch
21	166x42	Spring, Right Torsion	56	094305	Mandrel Housing
22	1401095	Tube, Spacer	57	1001035	Adapter, Blade
23	1401037E701	Bracket, Deck	58	1401079E701	Blade
24	1401040E701	Hanger, Front	59	17x166	Washer, Cup
26	1401065	Shaft, Splined	60	17x165	Washer
27	1401258E701	Arm Assembly , Idler	61	15x100	Nut, Blade Mount
28	009x39	Bolt, Shoulder	62	1401081	Deflector, Chute
29	017x47	Washer	63	002x74	Bolt, Carriage
30	165x157	Spring, Extension	64	001x84	Bolt
31	166x46	Spring, Torsion			





<b>Key No.</b>	<b>Part No.</b>	<b>Description</b>
1	250x115	Harness, Chassis Wire
2	1401149	Switch, Ignition
	327349	Key, Ignition
		Nut, Hex
		Cap, Ignition
3	1001575	Switch, Limit
4	054212	Fuse
	407078	Holder, Fuse
5	094613	Solenoid
	26x229	Screw, Mounting
	15x116	Locknut
6	024x37	Cable, Battery Ground
		Screw, Ground Cable
7	092739	Battery
	002x82	Bolt, Carriage
	014x79	Wingnut
8	094159	Switch, Seat Sensor
9	024x24	Cable, Red Batery
	690604	Boot, Positive Terminal

# MODEL 536.270280

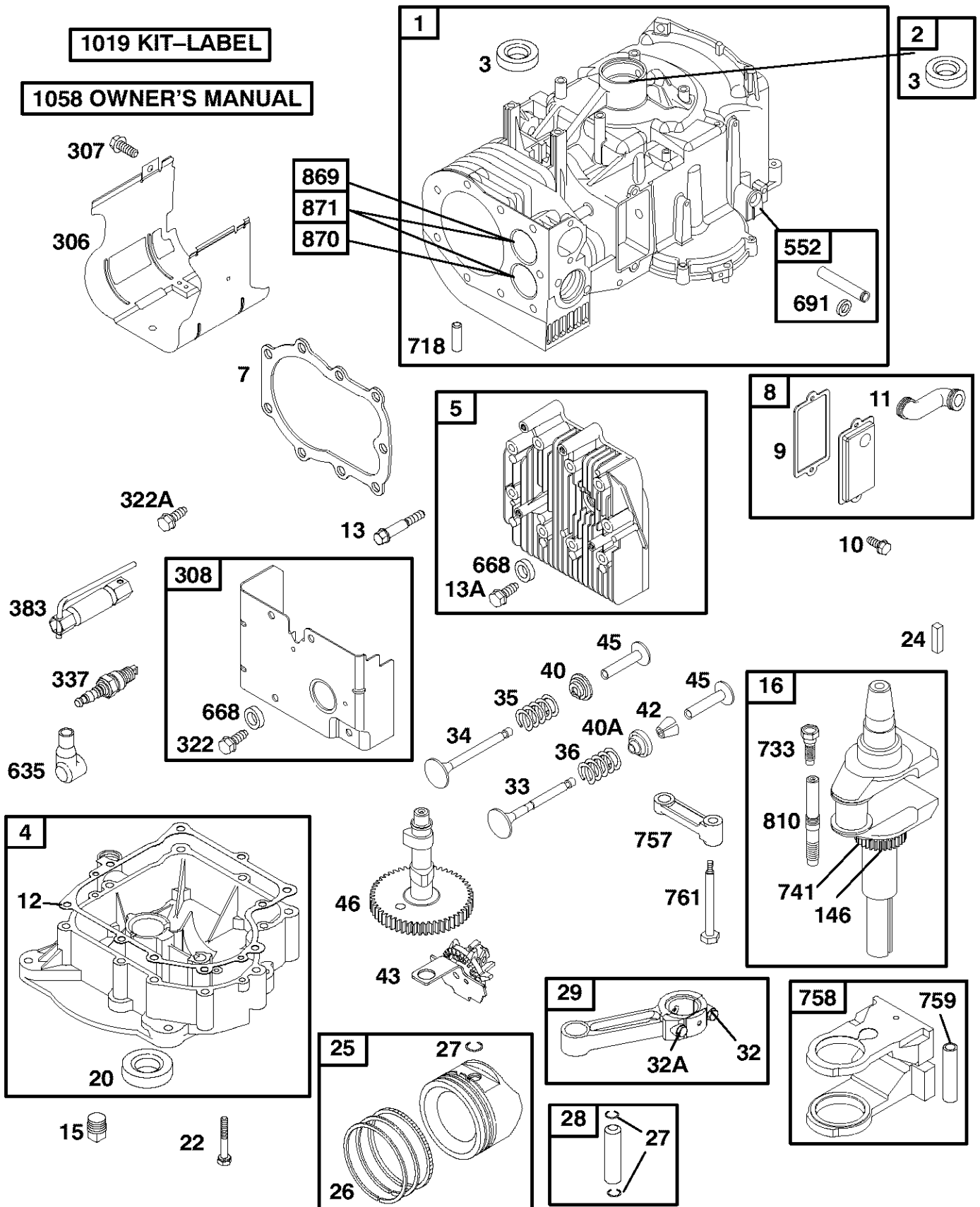
# REPAIR PARTS DECALS

Key No.	Part No.	Description (Location)	Qty.
--	48x729	Gas Gage (Dash –Left Side)	1
--	44x7197	DEKA (Battery)	1
--	44x7325	Warning (Seat Deck –Middle)	1
--	48x928	1–5 Height Adjust (Seat Deck –Left Side)	1
--	48x746	NO STEP (Mower Deck – Left Side)	1
--	48x929	Clutch / Brake ( Footrest –Left Side)	1
--	48x236	Cut Finger (Mower Deck –Right Side)	1
--	48x5170	Craftsman 13.5 (Hood –Right Side)	1
--	48x5169	Craftsman 13.5 (Hood –Left Side)	1
--	44x6456	Deck Level Position / ONLY (Seat Deck –Left Side)	1
--	48x5057	Warning Load Limit	1
--	48x5182	Auto Disconnect	1
--	48x1189	Craftsman Logo (Seat Deck Front)	2
--	48x726	Parking Brake Symbol (Console)	1
--	48x728	Throttle Control (Console)	1
--	48x927	Blade Engage / Disengage (Seat Deck –Right Side)	1

---

# NOTES

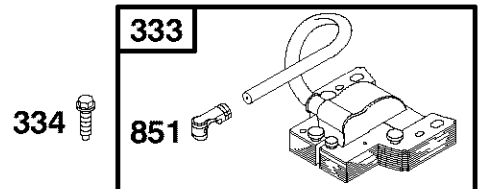
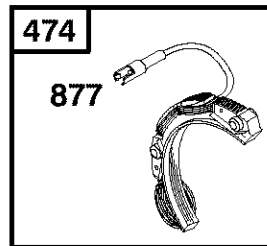
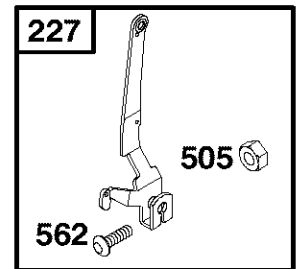
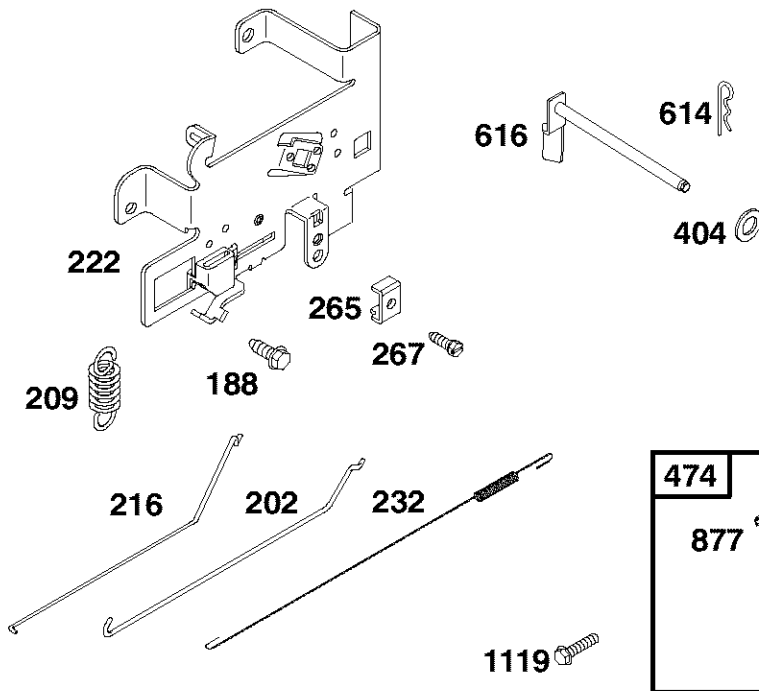
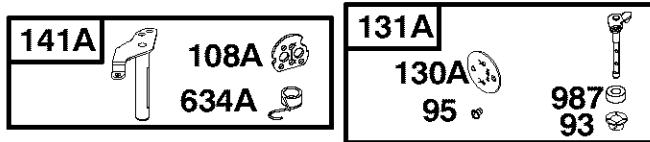
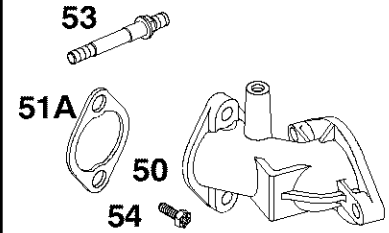
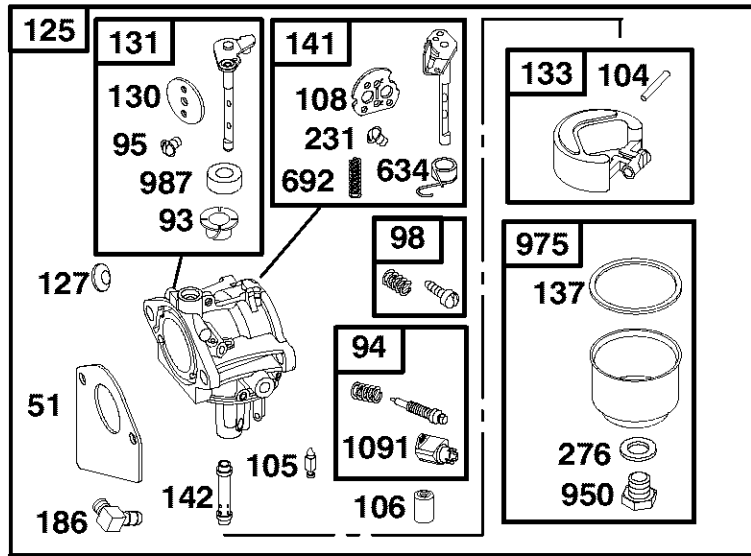
---



# MODEL 536.270280

# ENGINE 28R707-1120-E1

REF. NO.	PART NO.	DESCRIPTION	REF. NO.	PART NO.	DESCRIPTION	REF. NO.	PART NO.	DESCRIPTION
1	496413	Cylinder Assembly			————— <b>Note</b> —————	307	691003	Screw (Cylinder Shield)
2	399265	Kit—Bushing/Seal (Magneto Side)			696404 Ring Set (.010" Oversize)	308	491490	Cover—Cylinder Head (Used Before Code Date 02112000).
3	*391086	Seal—Oil (Magneto Side)			696405 Ring Set (.020" Oversize)			————— <b>Note</b> —————
4	494238	Sump—Engine			696406 Ring Set (.030" Oversize)			698476 Cover—Cylinder Head (Used After Code Date 02111900).
5	494240	Head—Cylinder	27	691299	Lock—Piston Pin	322	692198	Screw (Cylinder Head Cover)
7	∅*271866	Gasket—Cylinder Head	28	498319	Pin—Piston (Standard)	322A	691681	Screw (Cylinder Head Cover)
8	495735	Breather Assembly			————— <b>Note</b> —————	337	802592	Spark Plug
9	∅*27803	Gasket—Breather			498320 Pin—Piston (.005" Undersized)	383	89838	Wrench—Spark Plug
10	691666	Screw (Breather Assembly)	29	494504	Rod—Connecting (Standard)	552	491986	Bushing—Governor Crank
11	691328	Tube—Breather			————— <b>Note</b> —————	635	66538	Boot—Spark Plug
12	*692226	Gasket—Crankcase (.015" Thick, Standard)			495490 Rod—Connecting (.020" Undersized)	668	690510	Spacer
		————— <b>Note</b> —————	32	690356	Screw (Connecting Rod)	691	*692407	Seal—Governor Shaft
		*692406 Gasket—Crank- case (.005" Thick)	32A	690348	Screw (Connecting Rod)	718	690959	Pin—Locating
		*692405 Gasket—Crank- case (.009" Thick)	33	262246	Valve—Exhaust	733	691658	Screw (Crankshaft Extension)
13	690904	Screw (Cylinder Head)	34	262247	Valve—Intake	741	691284	Gear—Timing
13A	691681	Screw (Cylinder Head)	35	691605	Spring—Valve (Intake)	757	691714	Link—Counterweight
15	690946	Plug—Oil Drain	36	691597	Spring—Valve (Exhaust)	758	692423	Counterweight
16	693944	Crankshaft	40	690656	Retainer—Valve (Intake)	759	691239	Pin—Counterweight
20	*291675	Seal—Oil (PTO Side)	40A	691939	Retainer—Valve (Exhaust)	761	691096	Screw (Counterweight)
22	692125	Screw (Engine Sump)	42	494553	Keeper—Valve	810	691779	Extension—Crankshaft
24	222698	Key—Flywheel	43	691968	Slinger—Governor/Oil	869	691802	Seat—Valve (Intake)
25	696397	Piston Assembly (Standard)	45	691811	Tappet—Valve	870	691844	Seat—Valve (Exhaust)
		————— <b>Note</b> —————	46	697668	Camshaft	871	261961	Bushing—Valve Guide (Exhaust Valve)
		696398 Piston Assembly (.010" Oversize)	146	691639	Key—Timing			————— <b>Note</b> —————
		696399 Piston Assembly (.020" Oversize)	306	690459	Shield—Cylinder (Used Before Code Date 02112000).			231218 Bushing—Valve Guide (Intake Valve, Brass)
		696400 Piston Assembly (.030" Oversize)			————— <b>Note</b> —————	1019	491252	Kit—Label
26	696403	Ring Set (Standard)			698477 Shield—Cylinder (Used After Code Date 02111900).	1058	274787	Owners Manual (Emission)



# MODEL 536.270280

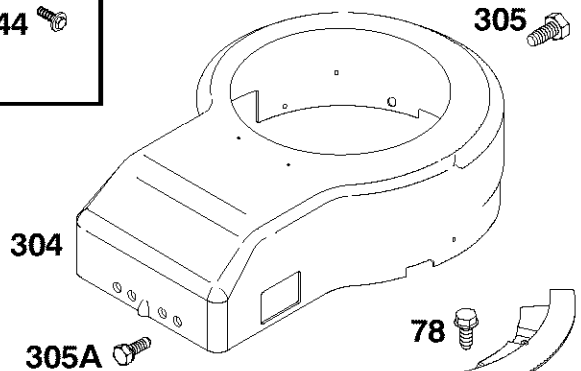
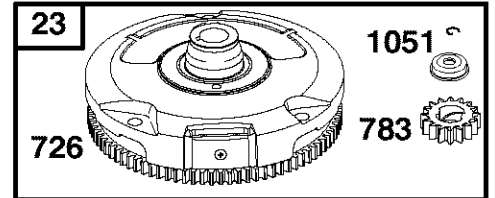
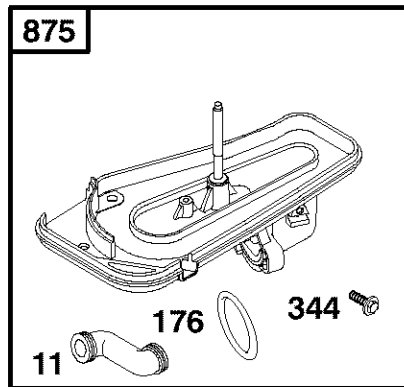
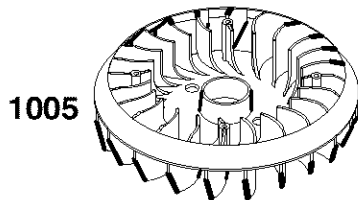
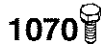
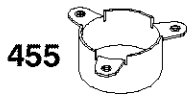
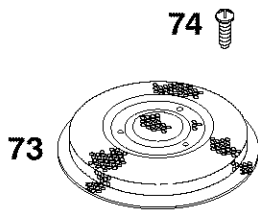
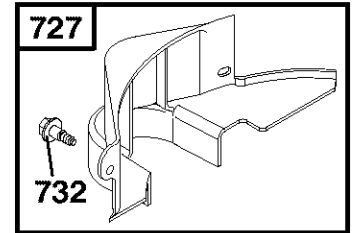
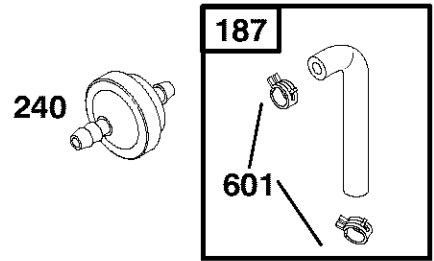
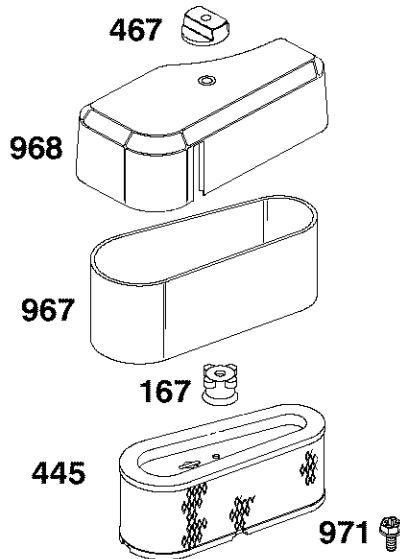
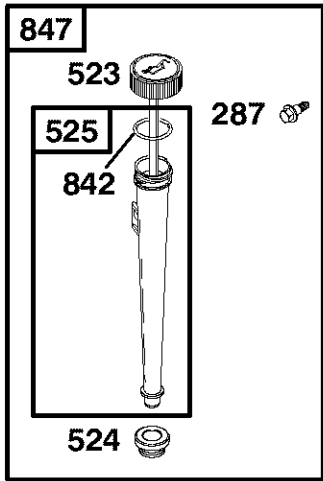
# ENGINE 28R707-1120-E1

REF. NO.	PART NO.	DESCRIPTION	REF. NO.	PART NO.	DESCRIPTION	REF. NO.	PART NO.	DESCRIPTION
50	691711	Manifold-Intake	131	494885	Kit-Throttle Shaft	334	691061	Screw
51	•692284	Gasket-Intake	131A	494379	Kit-Throttle Shaft			(Magneto Armature)
51A	*Ø272554	Gasket-Intake	133	494381	Float-Carburetor	404	691691	Washer
53	691098	Stud (Carburetor)	137	•281165	Gasket-Float Bowl			(Governor Crank)
54	690953	Screw (Intake Manifold)	141	495097	Kit-Choke Shaft (Manual Choke)	474	696459	Alternator
93	•690602	Bushing-Throttle Shaft	141A	495931	Kit-Choke Shaft (Choke A Matic)	505	691251	Nut (Governor Control Lever)
94	498030	Kit-Idle Mixture	142	697592	Nozzle-Carburetor	562	691119	Bolt (Governor Control Lever)
95	•691636	Screw (Throttle Valve)	186	698174	Connector-Hose	614	691620	Pin-Cotter
98	495800	Kit-Idle Speed	188	691693	Screw (Control Bracket)	616	692012	Crank-Governor
104	•690525	Pin-Float Hinge	202	691841	Link-Mechanical Governor	634	•690801	Spring/Seal Assembly (Manual Choke)
105	•231855	Valve-Float Needle	209	690480	Spring-Governor	634A	•690802	Spring/Seal Assembly (Choke A Matic)
106	•690577	Seat-Inlet	216	691840	Link-Choke	692	690572	Spring-Detent
108	690464	Valve-Choke (Manual Choke)	222	694042	Bracket-Control	851	493880	Terminal-Spark Plug
108A	692344	Valve-Choke (Choke A Matic)	227	691374	Lever-Governor Control	877	393456	Wire/Connector- Alternator
125	698171	Carburetor	231	•691636	Screw (Choke Valve)	950	691657	Screw (Float Bowl)
127	694524	Plug-Welch	232	691842	Spring-Governor Link	975	495933	Bowl-Float
130	690468	Valve-Throttle	265	691024	Clamp-Casing	987	•691326	Seal-Throttle Shaft
130A	691750	Valve-Throttle	267	690804	Screw (Casing Clamp)	1091	691333	Cap-Limiter
			276	•692255	Washer-Sealing	1119	691183	Screw (Alternator)
			333	492341	Armature-Magneto			

# MODEL 536.270280

# ENGINE 28R707-1120-E1

## 1036 LABEL-EMISSION





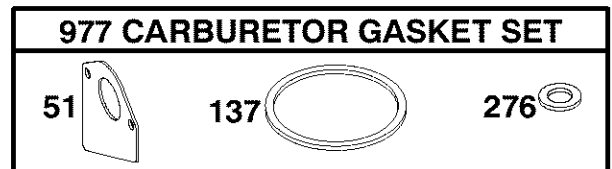
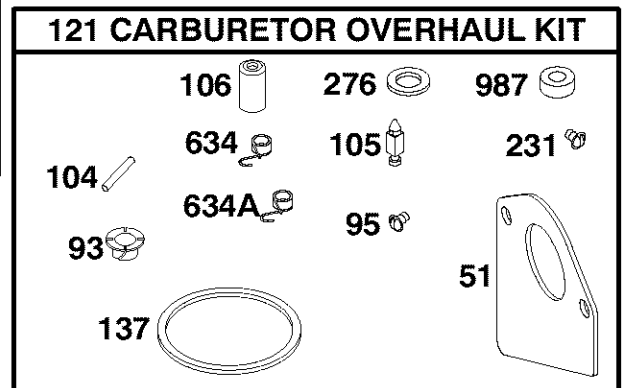
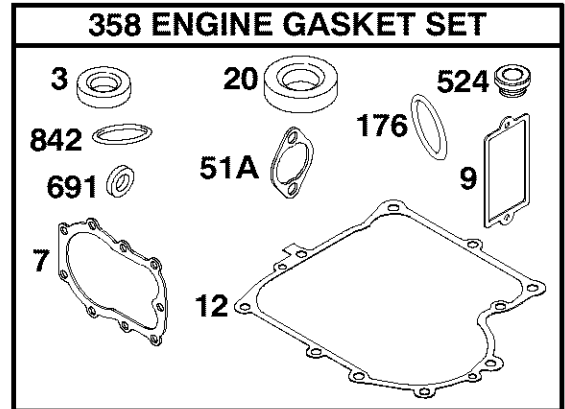
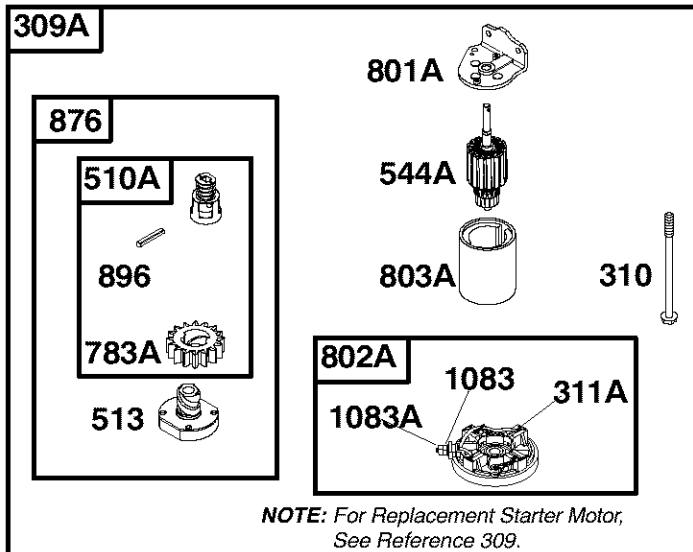
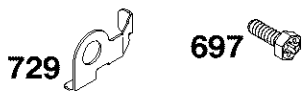
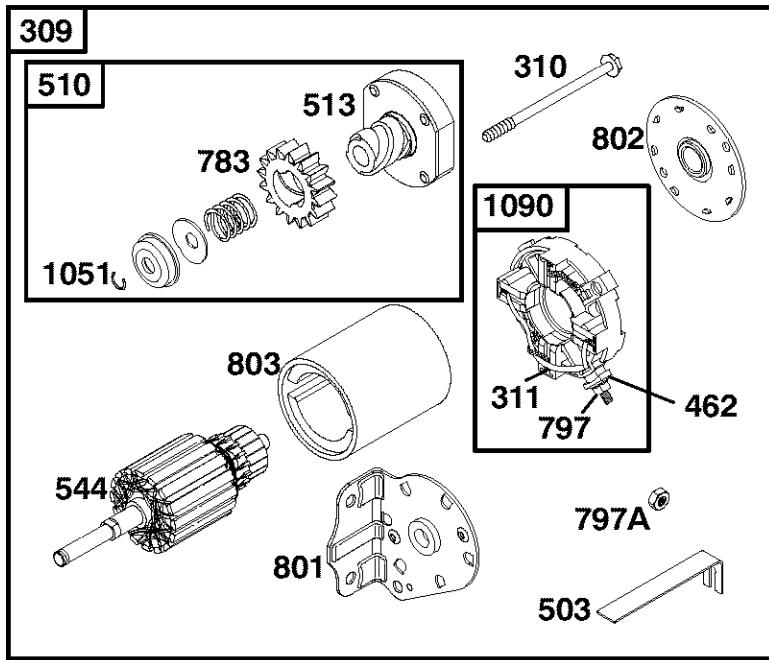
# MODEL 536.270280

# ENGINE 28R707-1120-E1

REF. NO.	PART NO.	DESCRIPTION	REF. NO.	PART NO.	DESCRIPTION	REF. NO.	PART NO.	DESCRIPTION
11	691328	Tube--Breather	305	692198	Screw (Blower Housing)			(Starter Drive Cover)
23	693557	Flywheel				733	691658	Screw (Crankshaft Extension)
37	690456	Guard--Flywheel	305A	692127	Screw (Blower Housing)	783	693713	Gear--Pinion
73	691748	Screen--Rotating				789	698329	Wire Assembly
74	691655	Screw (Rotating Screen)	363	19203	Flywheel Puller	842	*691870	Seal-- O Ring (Dipstick/Tube Assembly)
75	690582	Washer (Flywheel)	445	496894	Filter--Air Cleaner Cartridge			
78	690661	Screw (Flywheel Guard)	455	691173	Cup--Flywheel	847	496415	Dipstick/Tube Assembly
167	692297	Seal--Air Cleaner Nut	467	691668	Knob--Air Cleaner	875	696129	Base--Air Cleaner
176	*691917	Seal--O Ring (Air Cleaner Base)	523	692014	Dipstick	967	272403	Filter--Pre Cleaner
185	690958	Nut (Air Cleaner Base)	524	*281370	Seal--Dipstick Tube	968	691916	Cover--Air Cleaner
187	697098	Line--Fuel	525	691398	Tube--Dipstick	971	692126	Screw (Air Cleaner Base)
240	393458	Filter--Fuel	601	95162	Clamp--Hose	1005	691905	Fan--Flywheel
287	691002	Screw (Dipstick Tube)	668A	691323	Spacer	1036	696770	Label--Emission
304	690846	Housing--Blower	726		Gear--Ring (See Reference 23 for Service)	1051	691265	Ring--Retaining
			727	490324	Cover--Starter Drive	1070	690372	Screw (Flywheel Fan)
			732	691002	Screw			

# MODEL 536.270280

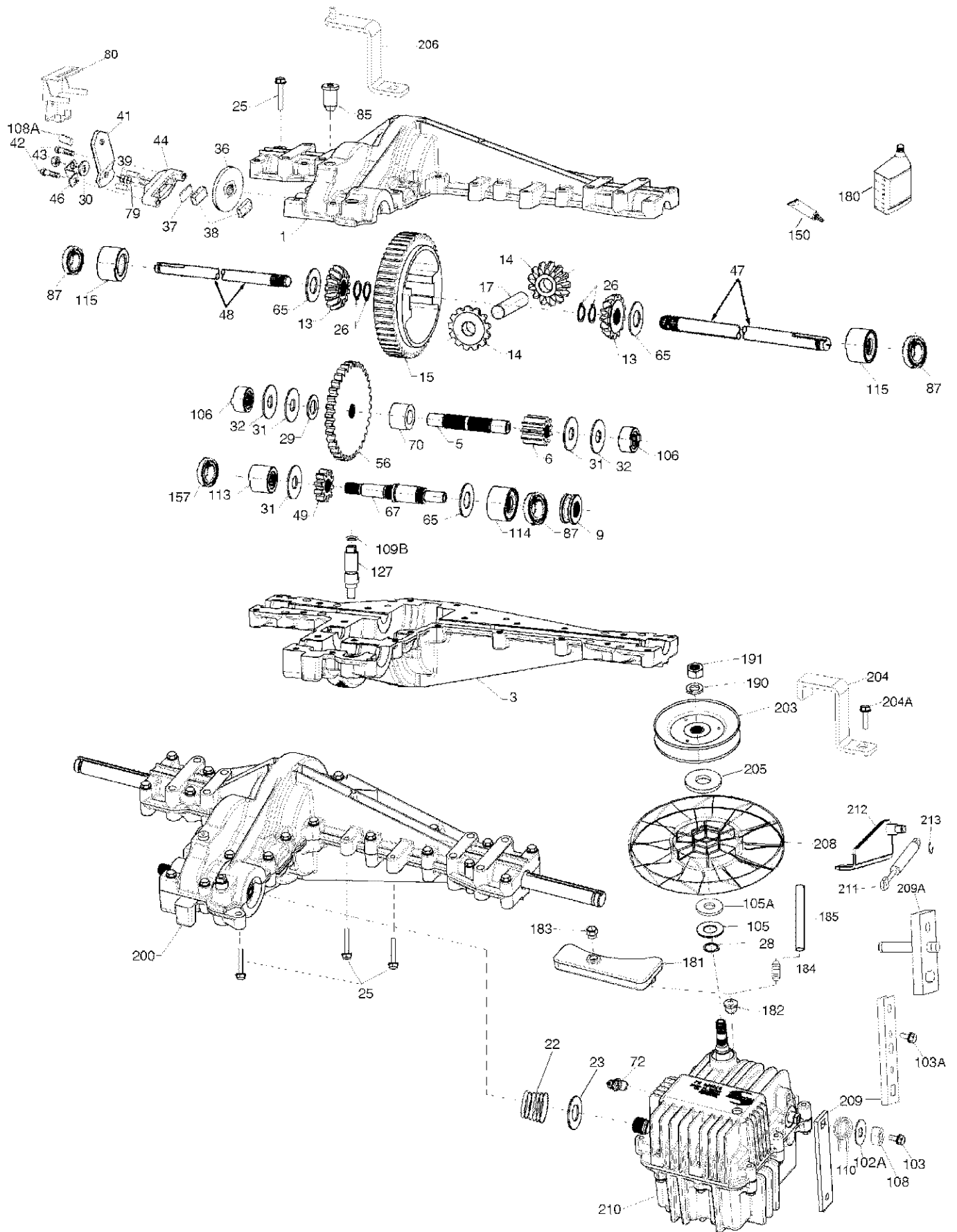
# ENGINE 28R707-1120-E1

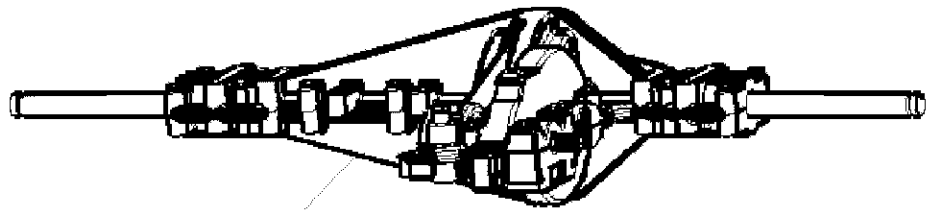
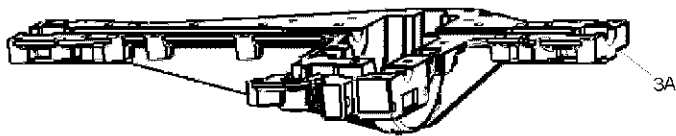
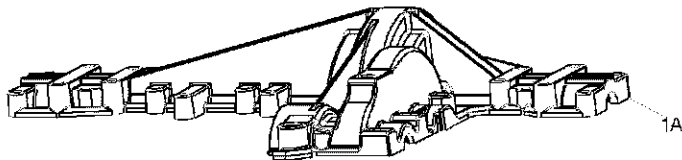
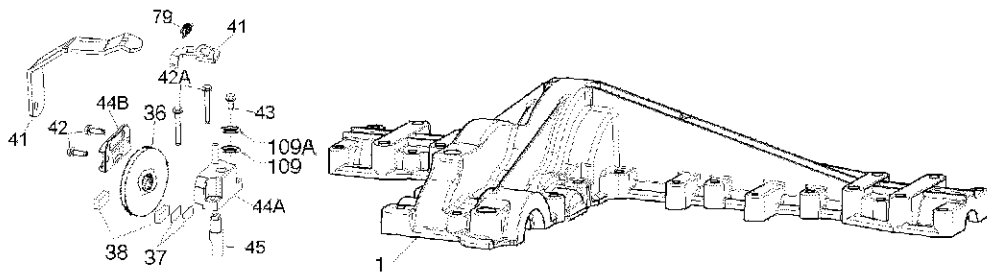


# MODEL 536.270280

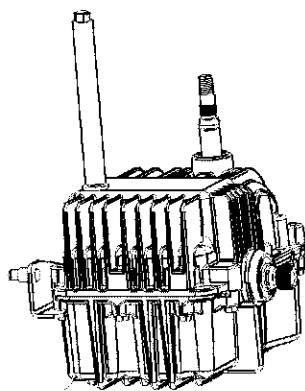
# ENGINE 28R707-1120-E1

REF. NO.	PART NO.	DESCRIPTION	REF. NO.	PART NO.	DESCRIPTION	REF. NO.	PART NO.	DESCRIPTION
3	★391086	Seal--Oil (Magneto Side)	276	●●692255	Washer--Sealing			(Drive Cap)
7	∅★271866	Gasket--Cylinder Head	309	693551	Motor--Starter	729	691224	Clip--Wire
9	∅★27803	Gasket--Breather	309A		Motor--Starter (For Replacement Starter Motor, See Ref. 309)	783	693713	Gear--Pinion
12	★692226	Gasket--Crankcase (.015" Thick, Standard)				783A	693059	Gear--Pinion
		<b>Note</b>				797	693167	Nut (Brush Retainer)
		★692406 Gasket--Crank- case (.005" Thick)	310	690323	Bolt (Starter Motor)	797A	691029	Nut (Brush Retainer)
		★692405 Gasket--Crank- case (.009" Thick)	311	497608	Brush Set	801	691429	Cap--Drive
20	★291675	Seal--Oil (PTO Side)	311A	395538	Brush Set	801A	394856	Cap--Drive
51	●●692284	Gasket--Intake	358	494241	Gasket Set--Engine	802	691286	Cap--End
51A	★∅272554	Gasket--Intake	462	691261	Washer (Brush Retainer)	802A	395537	Cap--End
93	●690602	Bushing--Throttle Shaft	503	691532	Strap--Starter	803	693757	Housing--Starter
95	●691636	Screw (Throttle Valve)	510	693699	Drive--Starter	803A	398159	Housing--Starter
104	●690525	Pin--Float Hinge	510A	495878	Drive--Starter	842	★691870	Seal-- O Ring (Dipstick Tube)
105	●231855	Valve--Float Needle	513	692024	Clutch--Drive	876	495877	Kit--Pinion Spring
106	●690577	Seat--Inlet	524	★281370	Seal--Dipstick Tube	896	691641	Pin--Drive Retainer
121	499220	Kit--Carburetor Overhaul	544	692034	Armature--Starter	977	494385	Gasket Set--Carburetor
137	●●281165	Gasket--Float Bowl	544A	390837	Armature--Starter	987	●691326	Seal--Throttle Shaft
176	∅★691917	Seal--O Ring (Air Cleaner Base)	634	●690801	Spring/Seal Assembly (Manual Choke)	1051	691265	Ring--Retaining
			634A	●690802	Spring/Seal Assembly (Choke A Matic)	1083	691626	Nut (Starter Terminal)
231	●691636	Screw (Choke Valve)	691	★692407	Seal--Governor Shaft	1083A	690958	Nut (Starter Terminal)
			697	690372	Screw	1090	691293	Retainer--Brush
						1095	498539	Gasket Set--Valve

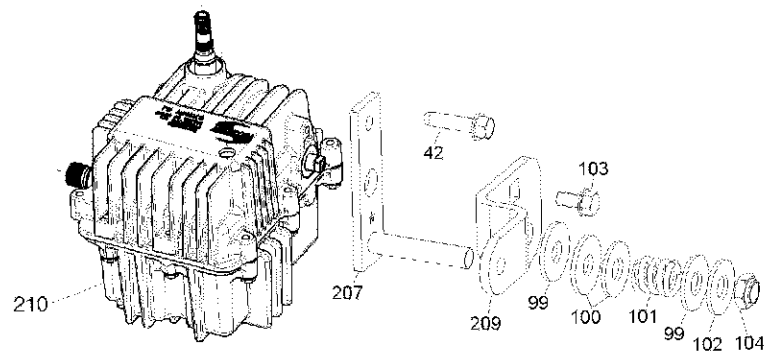




200A



210A



210

207

42

209

99

100

101

99

102

104

103

**MODEL 536.270280****PEERLESS HYDRO 2000-2000-018**

<b>Key No.</b>	<b>Part No.</b>	<b>Description</b>	<b>Key No.</b>	<b>Part No.</b>	<b>Description</b>
1A	772152	Cover RH (Mach)	87	788088A	Oil Seal .750
3A	770136	Case RH (Cast)	99	792141	Washer .377ID .058W
5	776441	Counter Shaft	100	792200	Snubber Washer
6	778263	Spur Gear 11T	102	792184	Washer .437ID .078W
9	786197	Neutral Sleeve .572L	103	792193	Screw 1/4–28
13	778368	Bevel Gear 13T (Incl. 14)	103	792193	Screw 1/4–28 x .490
14	778368	Bevel Gear 13T (Incl. 13)	104	792198	Hex Nut 3/8–24 Lock
15	778373	Ring Gear 54T	105	780096	Washer .625ID .057W
17	786139	Drive Pin	105A	780153	Washer .627ID .140W
22	792194	Spring	106	786162	Sleeve & Bearing Assy
23	792195	Washer .750ID .032T	107	792202	Screw 1/4–20 x 3/4"
25	792073A	Screw 1/4–20 x 1.25	109	788069	Square Cut O'Ring
26	792125	Retaining Ring	109A	792145	Pushnut 1/2"
28	792035	Retaining Ring	109B	788104	O–Ring .364ID
29	780065	Washer .627ID .091W	110	792199	Neutral Return Spring
31	780189	Washer .563ID .062W	113	786199	Sleeve Assembly (Incl. 157)
36	790071	Brake Disk	114	786200	Sleeve Assembly (Incl. 87)
37	790103	Brake Pad Plate	115	786198	Sleeve Assembly (Incl. 87)
38	799021	Brake Pad	127	784385	Shift Lever Assembly (Incl. 109)
41	790101	Brake Lever	150	788093A	Liquid Gasket RTV Silicon
42	792202	Screw 1/4–20 x .750	157	788102	Oil Seal .5625ID
42A	792203	Screw 1/4–20 x 1.750	180	730229B	Gear Oil 80W90
44A	790100	Inside Brake (Mach)	181	798064	Overflow Bottle
44B	790099	Outside Brake	182	788103	Grommet
45	790101	Actuator Rod	190	792150	Washer .443ID .109W
47	775120	Axle 17.219"	191	792151	Nut 7/16–20
48	778121A	Axle 12.062"	200A	794812	Differential (Gear Reduction Drive)
49	778311	Spur Gear 10T (steel)	203	798065	Pulley & Hub Assembly
56	778310	Spur Gear 34T (steel)	205	792212	Washer 1.28ID .140W
65	780001	Washer .750ID .56W	207	798053	Mounting Plate
67	776440	Brake Shaft	208	798040	Fan
70	786196	Spacer .625	209	798066	Control Lever
79	792201	Spring	210A	794811	Hydro Module RH (Foot Control)
85	792154	Oil Fill Plug			

---

# INDEX

---

## A

Adjustments  
  Clutch, 31  
  Mower Housing, Level, 26  
Air Screen, 23  
Attachments, 17  
Automatic Drive Disconnect,  
  Operation, 12

## B

Battery  
  Charge, 21  
  Check, 8  
  Clean, 21  
  Install, 8  
  Removal, 21  
  Storage, 33  
Belt  
  Drive Belt, Adjust, 31  
  Motion Drive  
    Adjust, 31  
    Replace, 29  
  Mower Drive, Replace, 30

Blade  
  Inspect, 20  
  Remove And Install, 20  
  Sharpen, 20

## C

Clutch  
  Adjust, 31  
  Check, 31  
Clutch / Brake Pedal, Location, 10  
Controls, Location, 10  
Cutting Height  
  Adjust, 26  
  Change, 12

## D

Drive Belt, Adjust, 31

## E

Engine  
  Cooling System, 23  
  Fuel, 9, 16  
  Lubrication, 23  
  Muffler, 23  
  Oil, 9, 16, 23  
  Preparation, 9  
  Spark Arrester, 9, 23  
  Starting, 16  
  Storage, 33  
  Throttle Control, 11

## F

Filter, Air, 24  
Fuel, Type, 16  
Fuse, 33

## I

Ignition Switch, Location, 10

## L

Lift Lever  
  Location, 10  
  Operation, 12  
Lubrication  
  Engine, 23  
  Mower, 22

## M

Maintenance  
  Battery  
    Charge, 21  
    Clean, 21  
  Belt  
    Motion Drive, 29  
    Mower Drive, 30  
  Blade, 20  
  Clutch, 31  
  Filter, Air, 24  
  Fuse, 33  
  Install, Wheels, 32  
  Lubrication, 22  
  Mower Housing  
    Clean, 33  
    Install, 28  
    Level, 26  
    Remove, 28  
  Muffler, 23  
  Spark Plug, 24  
Service And Adjustment,  
  Carburetor, 25

Maintenance Chart, 19

Motion Drive Belt  
  Adjust, 31  
  Replace, 29  
Mower Drive Belt, Replace, 30

Mower Housing  
  Clean, 33  
  Cutting Height, 12  
  Install, 28  
  Level Adjustment, 26  
  Operation, 17  
  Remove, 28  
Muffler, 23  
  Spark Arrester, 23

Mulcher, Operation, 18  
Mulcher Cover, Remove, 15

## O

Oil  
  Change, 23  
  Check, 16, 23  
  Type, 16  
Operation  
  Attachments, 17  
  Automatic Drive Disconnect, 12  
  Clutch / Brake Pedal, 10  
  Ignition Switch, 10  
  Lift Lever, 10, 12  
  Location Of Controls, 10  
  Mower Housing, 17  
  Mowing And Bagging, 18  
  Mulching, 18  
  Operate On Hills, 17  
  Parking Brake, 10, 11  
  Speed Control Lever, 10  
  Speed Control Lever, 13  
  Start The Engine, 16  
  Stop The Unit, 11  
  Throttle Control, 10, 11  
  Transport, 14

## P

Parking Brake  
  Location, 10  
  Operation, 11

## S

Safety Rules, American National  
  Standard Institute, 4–5  
Seat Switch, Operation, 11, 16  
Side Discharge Attachment,  
  Install, 15  
Slope Guide, 37  
Spark Arrester, 9, 23  
Spark Plug, 24  
Speed Control Lever  
  Location, 10  
  Operation, 13  
Speed Control Leverl, Adjust, 31

## T

Throttle Control  
  Location, 10  
  Operation, 11  
Tire Pressure, 9, 19  
Trouble Shooting Chart, 34

## W

Warranty, 2  
Wheel Alignment, 33

---

# NOTES

---



# Tractor cortacésped con motor situado detrás del asiento

## Modelo 536.270280

**PRECAUCIÓN:** Antes de usar este producto, lea este manual y siga todas las reglas de seguridad e instrucciones de operación.

### CONTENIDO

PIEZAS .....	38	OPERACIÓN .....	73
GARANTÍA .....	65	MANTENIMIENTO .....	82
ESPECIFICACIONES DEL PRODUCTO .....	66	SERVICIO Y AJUSTE .....	88
REGLAS DE SEGURIDAD .....	67	TABLA DE LOCALIZACIÓN DE AVERÍAS .....	97
PREPARACIÓN .....	70	GUÍA DE INCLINACIÓN .....	101

### GARANTÍA LIMITADA EN CRAFTSMAN TRACTORES

Este Tractor Craftsman está garantizado por dos (2) años a partir de la fecha de compra, siempre y cuando se le haya mantenido lubricado y afinado de acuerdo a las instrucciones especificadas en el Manual del Usuario. Sears reparará o reemplazará, sin costo alguno, cualquier parte del equipo que resulte defectuosa, ya sea en material o mano de obra, de acuerdo a las especificaciones de cobertura listadas a continuación.

Por dos años completos, Sears proveerá mano de obra sin costo para estas partes garantizadas. Durante los primeros 30 días después de la compra, contará con servicio a domicilio gratuito para las condiciones cubiertas por esta garantía. (Favor de leer las exclusiones a continuación).

Para su conveniencia, el servicio de garantía A DOMICILIO estará disponible todavía después de los primeros 30 días de la fecha de compra, pero se aplicará a este servicio un cargo por el viaje. Este cargo no será aplicado si lleva el Craftsman producto a un Centro de Servicio Sears autorizado. Para localizar el Centro de Servicio Sears autorizado, más cercano a usted, favor de llamar al 1-800-4-MY-HOME®. Esta garantía aplica solamente mientras el producto se encuentra dentro de Estados Unidos.

Esta garantía no cubre:

- Partes de duración limitada que se desgastan con el uso normal, incluyendo pero sin limitarse a cuchillas, bujías, filtros de aire, correas y filtros de aceite.
- Servicio de Mantenimiento Estándar, cambios de aceites o afinamientos.
- Reemplazo o reparación de neumáticos debido a pinchazos por objetos externos, tales como clavos, espinas, tocones o vidrio.
- Reparaciones necesarias a causa de abuso por parte del operador, incluyendo pero sin limitarse a, daños debidos al remolque de objetos que sobrepasan la capacidad del tractor, golpes de la unidad contra objetos que doblen el chasis o el cigüeñal, o daño debido a la velocidad excesiva a que se somete al motor.
- Reparaciones necesarias a causa de negligencia por parte del operador, incluyendo pero sin limitarse a, daño eléctrico y mecánico debidos al almacenamiento inadecuado de la unidad, daño por no usar el grado correcto de aceite de motor y en la cantidad recomendada, daño por no mantener la plataforma limpia de basuras inflamables, o por no mantener el equipo de acuerdo a las instrucciones que aparecen en el manual del propietario.
- Limpieza o reparaciones al motor (sistema de combustible) por usar combustible contaminado u oxidado (viejo). Generalmente, el combustible debe usarse dentro de 30 días de la fecha de compra.
- Deterioro y desgaste normal del acabado exterior, o reemplazo de las etiquetas del producto.
- Tractor que sea utilizado con fines comerciales o de alquiler.

### GARANTÍA LIMITADA PARA BATERÍA

Si en el plazo de noventa (90) días a partir de la fecha de compra, cualquier batería que esté incluida con este tractor, resultara defectuosa sea en el material o mano de obra y, nuestras pruebas determinen que la batería no mantiene la carga, Sears reemplazará la batería sin costo para usted. Durante los primeros 30 días a partir de la fecha de compra, la batería podrá ser reemplazada a domicilio, sin cargo para usted. Para su conveniencia, el servicio de garantía A DOMICILIO estará disponible todavía después de los primeros 30 de la fecha de compra, pero se aplicará a este servicio un cargo por el viaje. Este cargo no será aplicado si lleva el producto a un Centro de Servicio Sears autorizado. Para localizar el Centro de Servicio Sears autorizado, más cercano a usted, favor de llamar al 1-800-4-MY-HOME®. Esta garantía aplica solamente mientras el producto se encuentre dentro de Estados Unidos. Esta garantía le otorga derechos legales específicos, además, usted puede tener otros derechos legales que varían según el estado donde resida.

Sears, Roebuck and Co., D/817WA, Hoffman Estates, IL. 60179.

Felicidades por su compra de este Tractor cortacésped con motor situado detrás del asiento de Craftsman. Su unidad ha sido diseñada y fabricada para darle los mejores resultados en lo que se refiere a confiabilidad y desempeño.

Si encuentra algún problema en la unidad que usted no pueda solucionar, consulte con el Centro de Servicio Sears más cercano a usted. Nuestros técnicos capacitados disponen de las herramientas necesarias para reparar o dar servicio a esta unidad.

Favor de leer y guardar este manual. Las instrucciones le permitirán ensamblar y mantener su unidad de la manera apropiada. Siga siempre las "Reglas de seguridad".

## ESPECIFICACIONES DEL PRODUCTO

Motor .....	13,5 HP.
Sistema de Carga .....	3 amperios a 3600 rpm
Tamaño del Tanque de Combustible .....	1,1 galón
Tipo de Combustible .....	Regular, sin plomo
Capacidad de Aceite .....	48 onzas (3 pintas)
Tipo de Aceite .....	Arriba de 32 grados SAE 30 ..... Debajo de 32 grados SAE 5W30
Bujía (Separación 0,030") .	Champion RJ4C
Presión de Aire de Neumáticos .	Delantera 22 psi (vea el costado del neumático)
Presión de Aire de Neumáticos .	Trasera 14 psi (vea el costado del neumático)
Sistema de propulsión .....	Hidrostático
Velocidad de Vehículo .....	5,0 mph de avance ..... 2,5 mph de marcha atrás
Asiento con Inclinación ...	Acceso al motor y a la batería.
Cárter de la Cortadora .....	Suspensión no restringida, una cuchilla.
Altura de Corte .....	6 posiciones de 1/2 a 4 pulgadas.
Par de Torsión de Tuerca de Cuchilla .....	30 pies-libra (ft-lbs)

### Tractor cortacésped con motor situado detrás del asiento

Anote en los espacios correspondientes, el número de serie y la fecha de compra de la unidad.

Los números de modelo y serie se encuentran en la etiqueta fijada a la unidad.

Número de modelo: **536.270280** \_\_\_\_\_

Número de serie: \_\_\_\_\_

Fecha de compra: \_\_\_\_\_

Guarde esta información para referencia futura.

## ACUERDO DE PROTECCIÓN PARA REPARACIONES

Existe un Acuerdo de Protección para Reparaciones para esta unidad. Para obtener más información, consulte en la tienda Sears más cercana a usted.



### ADVERTENCIA



Los gases de escape del motor, así como varios de sus constituyentes, y algunos componentes de este vehículo contienen o emiten sustancias químicas reconocidas por el Estado de California como carcinógenas, también pueden producir defectos congénitos u otros daños al sistema reproductivo.

Los bornes, terminales y accesorios relacionados con la batería contienen plomo y compuestos del plomo, sustancias químicas que el Estado de California reconoce como carcinógenas, además estas sustancias pueden producir daños congénitos a los bebés u otros daños al sistema reproductivo humano. **DEBE LAVARSE LAS MANOS DESPUÉS DE MANIPULAR ESTOS COMPONENTES.**

**NOTA:** Esta unidad está equipada con un motor de combustión interna y no debe ser utilizada sobre o cerca de terrenos no cultivados cubiertos de bosque, maleza o césped a menos que el sistema de escape del motor esté equipado con un parachispas que cumpla con las leyes locales o estatales aplicables (si existen). Si se utiliza un parachispas, el operador debe mantenerlo en buenas condiciones de funcionamiento.

En el estado de California, estas condiciones son requeridas por la ley (Sección 4442 del Código de Recursos Públicos de California). Otros estados pueden tener leyes semejantes. Las leyes federales son aplicables en terrenos federales. Vaya a un Centro de Servicio Sears para obtener un parachispas para el tubo de escape.

En algunos lugares, las leyes locales requieren el uso de una bujía de resistencia para controlar las señales de encendido. Consulte en un Centro de Servicio Sears para conseguir la bujía de resistencia para el motor.

**NOTA:** Es probable que la potencia continua sea menor debido a limitaciones de operación y a factores ambientales.

# REGLAS DE SEGURIDAD

## Prácticas de operación segura para vehículos autoportados

Basadas en las recomendaciones del Instituto de Estándares Nacionales de Estados Unidos de América



**PRECAUCION:** Esta máquina cortadora es capaz de amputar manos y pies y de lanzar objetos con mucha fuerza. No respetar las instrucciones de seguridad a continuación podría resultar en lesiones graves o la muerte del operador o de espectadores.

### I. OPERACIÓN GENERAL:

1. Antes de comenzar el trabajo, lea, entienda y siga todas las instrucciones que aparecen en el Manual de Instrucciones, en la máquina, en el motor y en cualquiera de los aditamentos.
2. Sólo permita que adultos responsables, familiarizados con las instrucciones, utilicen la máquina.
3. Despeje el área de objetos tales como piedras, juguetes, cables, etc., que podrían ser lanzados con fuerza por la cuchilla.
4. Antes de comenzar a cortar el césped, asegúrese de que no haya ninguna persona en el área. Si alguien entra en el área, pare de inmediato la máquina.
5. Nunca lleve pasajeros.
6. Antes de retroceder, desconecte la alimentación al cortacésped o a cualquier aditamento que tenga instalado. No corte el césped en reversa a menos que esto sea absolutamente necesario. Siempre mire hacia abajo y hacia atrás antes de retroceder y mientras retrocede.
7. Esté atento a la dirección de descarga de la hierba cortada. No dirija la descarga hacia personas o hacia lugares donde pudiera haber gente. No opere la unidad sin tener instalado el recolector de hierba o el dispositivo de seguridad.
8. Amínore la velocidad antes de dar la vuelta.
9. Nunca deje una máquina desatendida mientras el motor está en marcha. Siempre desembrague la cuchilla(s), enganche el freno de mano, pare el motor y retire la llave antes de bajarse.
10. Desconecte la alimentación a los aditamentos cuando no los esté utilizando o cuando transporte la unidad. Desembrague la cuchilla(s) cuando no esté cortando el césped.
11. Pare el motor antes de desmontar el recolector de hierba o para desobstruir el conducto de descarga.
12. Corte el césped a la luz del día o con buena luz artificial.
13. No opere la máquina si está bajo los efectos del alcohol o de drogas, o si está muy cansado.
14. Esté atento al tráfico cuando opere la máquina cerca de caminos o si debe cruzarlos.
15. Si usa un remolque o camioneta para transportar la unidad, tenga mucho cuidado al cargar o descargar la unidad del vehículo.
16. Desenganche todos los embragues de los aditamentos y coloque la palanca de cambios en la posición neutro antes de arrancar el motor.
17. Siempre use gafas de protección u algún tipo de protector para los ojos cuando utilice la unidad, de esta manera protegerá sus ojos de objetos que pudieran ser lanzados por la máquina. Este tipo de protección ocular también debe usarlo cuando necesite hacer ajustes o reparaciones a la máquina.

18. Tenga mucho cuidado cuando deba remolcar cargas o cuando utilice equipos pesados.
  - a. Utilice únicamente barras de enganche con puntos de remolque aprobados.
  - b. Limite las cargas a aquellas que usted pueda controlar con seguridad.
  - c. No gire el volante bruscamente. Tenga cuidado al retroceder.
  - d. Utilice contrapesos o pesos en las ruedas cuando esto sea recomendado en el Manual de Instrucciones.
19. No opere esta máquina si está tomando drogas u otras medicinas que pudieran causar somnolencia o que pudieran afectar su habilidad para operar esta máquina.
20. No opere esta máquina si su estado emocional o físico no le permite operarla con seguridad.
21. Los datos recopilados indican que los operadores de 60 años o más, sufren un mayor número de accidentes y lesiones relacionados con el manejo de máquinas cortacésped. Estos operadores deben evaluar sus habilidades para manejar de manera segura un tractor cortacésped y evitar así lesiones graves que pudieran sufrir ellos u otras personas que se encuentren presentes.

### II. OPERACIÓN EN CUESTAS:

**Las cuestas y los terrenos accidentados son factores principales que se relacionan a accidentes causados por pérdidas de control o por vuelcos de la unidad y que pueden resultar en lesiones graves o muerte. TODAS las cuestas requieren que se tomen precauciones adicionales. Si no puede subir la cuesta usando el cambio de marcha atrás, o si se siente incómodo en la cuesta, no la corte. Consulte la "Guía de evaluación de cuestas". Para obtener mayor información al respecto, consulte esta guía que aparece al final de este manual.**

### RECOMENDACIONES

1. En las cuestas, corte el césped verticalmente (hacia arriba y hacia abajo), y no en línea perpendicular (de lado a lado).
2. Quite todo obstáculo tal como piedras, ramas, etc.
3. Tenga cuidado con los hoyos, baches o resaltos. El terreno disperejo puede hacer que la máquina se vuelque. "La hierba muy alta puede esconder obstáculos".
4. Maneje la unidad a baja velocidad. Seleccione una velocidad suficientemente baja para que no tenga que parar o cambiar de velocidad mientras está en la cuesta.
5. Respete y siga las recomendaciones del fabricante acerca de pesos para las ruedas o contrapesos para mejorar la estabilidad.
6. Tenga mucho cuidado cuando utilice el recolector de hierba u otros aditamentos, estos afectan la estabilidad de la máquina.
7. Procure que todos los movimientos en las cuestas sean **lentos y graduales**. No haga cambios bruscos de velocidad o de dirección.

# REGLAS DE SEGURIDAD

8. Evite tener que arrancar el motor o pararlo en una cuesta. Si los neumáticos pierden tracción, desembrague la cuchilla(s) y continúe despacio **directamente hacia el pie** de la cuesta.

## PRECAUCIONES

1. **No** gire en las cuestas a menos que sea absolutamente necesario, si debe hacerlo, gire lenta y gradualmente cuesta abajo, si es posible.
2. **No** corte el césped cerca de precipicios, zanjas o terraplenes. Una rueda sobre un borde o el desprendimiento de un borde podría causar un vuelco inesperado provocando lesiones o la muerte.
3. **No** corte el césped si está mojado. La reducida tracción puede hacer que la máquina resbale.
4. **No** trate de estabilizar la máquina bajando su pie al suelo.
5. **No** utilice el recolector de hierba ni otro accesorio de remolque en cuestas empinadas (de más de 10 grados).

## III. NIÑOS:

**Pueden ocurrir accidentes trágicos si el operador no está alerta a la presencia de niños. A muchos niños les atraen las cortadoras autoportadas. NUNCA suponga que los niños permanecerán en el último lugar donde los vió.**

1. Mantenga a los niños fuera del área de trabajo y bajo el cuidado de un adulto que no sea el operador.
2. Manténgase alerta y pare el motor si entran niños al área.
3. Antes y mientras retrocede, mire **hacia atrás y hacia abajo** por si hay niños.
4. Nunca permita que niños u otras personas vayan como "pasajeros" en el cortacésped, ni siquiera cuando la cuchilla(s) no esté puesta. Ellos pueden caerse, lesionarse gravemente o pueden interferir con la operación segura de la máquina.
5. Nunca permita que niños operen la máquina. Enséñeles a los niños los peligros de la máquina.
6. Tenga mucho cuidado cuando se aproxime a esquinas ciegas, arbustos, árboles u otros objetos que le impidan una buena visibilidad.

## IV. SERVICIO:

1. Tenga mucho cuidado cuando manipule gasolina y otros combustibles. Los combustibles son inflamables y los vapores son explosivos.
  - a. Utilice únicamente un recipiente aprobado.
  - b. Nunca quite la tapa del tanque de gasolina ni añada combustible cuando el motor esté en marcha. Deje que el motor se enfríe durante varios minutos antes de llenar el tanque. No fume cuando llene el tanque.
  - c. Nunca agregue combustible cuando la unidad se encuentra en un recinto cerrado.
  - d. Nunca guarde el cortacésped con combustible en el tanque, o el recipiente de combustible en un recinto donde haya alguna llama expuesta, tal como el piloto de un calentador de agua.

2. Nunca arranque el motor ni lo deje en marcha dentro de un recinto cerrado.
3. Mantenga todas las tuercas y pernos apretados, especialmente las tuercas de montaje de la cuchilla(s). Revise con frecuencia la cuchilla(s) para ver si está gastada o si tiene algún daño tal como grietas o abolladuras. Una cuchilla torcida o dañada debe ser reemplazada inmediatamente por una cuchilla de repuesto original la cual puede obtener en un centro de servicio autorizado. Para mayor seguridad, reemplace la cuchilla cada dos años. Mantenga el equipo en buenas condiciones.
4. Nunca trate de modificar los dispositivos de seguridad. Revíselos con frecuencia para cerciorarse de que trabajan bien.
5. Para reducir los riesgos de incendio, mantenga la máquina libre de acumulaciones de hierba, hojas u otros desechos. Limpie derrames de aceite o de combustible. Deje que la máquina se enfríe antes de guardarla.
6. Pare e inspeccione el equipo si choca contra algún objeto. Si es necesario, repare el equipo antes de hacerlo arrancar de nuevo.
7. Nunca realice ajustes o reparaciones con el motor en marcha. El carburador puede ser ajustado mientras el motor está en marcha. No cambie los ajustes del regulador del motor ni sobrepase la velocidad de régimen del motor.
8. Los componentes del recolector de hierba están sujetos a desgaste, daño y deterioro, factores que pueden exponer las partes móviles o permitir que objetos sean lanzados por la máquina. Al guardar la unidad, asegúrese siempre de que el recolector de hierba esté vacío. Revise los componentes periódicamente, y cuando sea necesario, reemplácelos con piezas de repuesto recomendadas por el fabricante.
9. La cuchilla(s) de la cortadora es afilada y puede cortar. Envuelva la cuchilla(s) o utilice guantes y tome precauciones cuando tenga que revisarla o revisar el área del alojamiento de la cuchilla.
10. Examine los frenos frecuentemente. Ajustelos y revíselos según sea necesario.
11. Antes de comenzar a revisar cualquier parte de la unidad, espere a que todo movimiento se detenga.

## RESPONSABILIDAD DEL PROPIETARIO

### CONSIDERACIÓN AMBIENTAL

- No llene completamente el tanque de combustible.
- Saque el combustible de la máquina al guardarla durante la temporada de no uso.
- Use solamente gasolina sin plomo.
- Examine y limpie el filtro de aire regularmente.
- Cambie el aceite regularmente. Use aceite de 30W en el verano.
- Ajuste el motor regularmente.
- Mantenga el equipo en buen estado de funcionamiento.
- Deshágase debidamente del aceite de motor usado.



Fíjese en este símbolo, éste le indica precauciones de seguridad importantes. Este símbolo significa: "Atención! Esté alerta! Su seguridad está en peligro".

# REGLAS DE SEGURIDAD

## SÍMBOLOS INTERNACIONALES

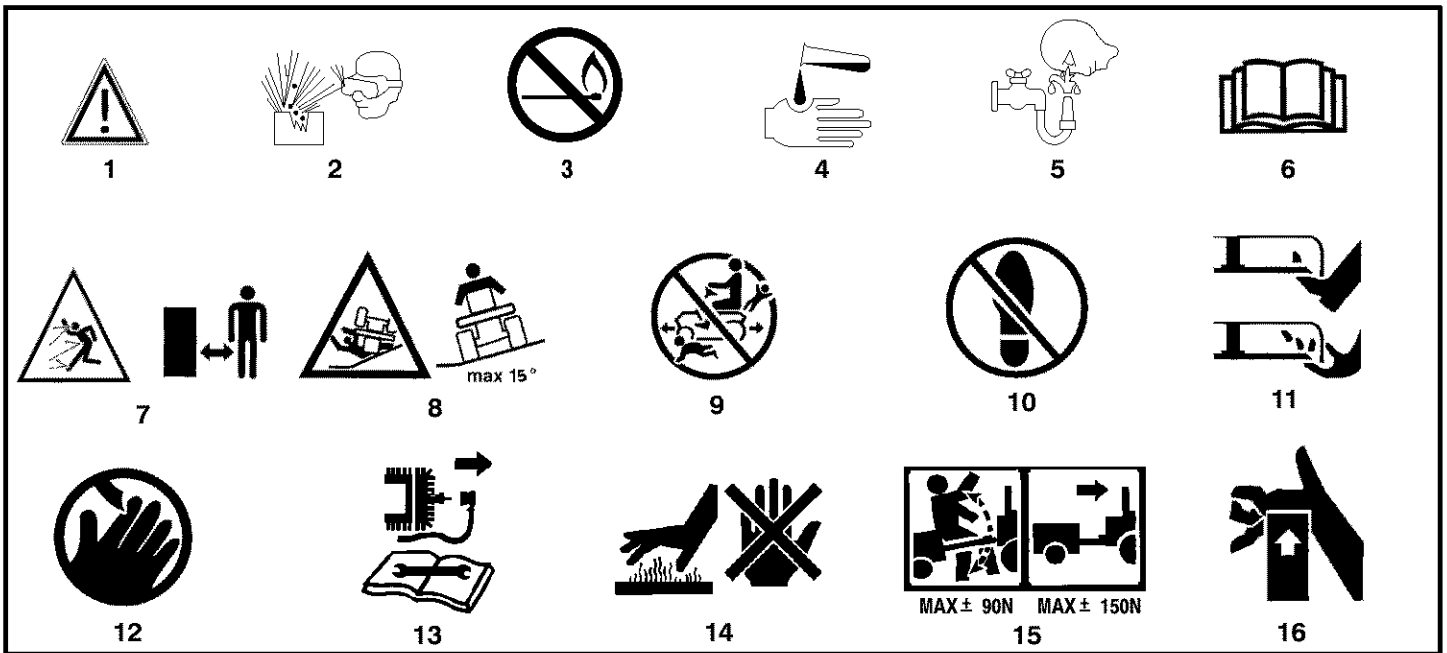
**IMPORTANTE:** Los siguientes símbolos están ubicados en su unidad o indicados en la información impresa que está incluida con el producto. Antes de usar la unidad, debe familiarizarse con el significado y propósito de cada símbolo.

### Símbolos de seguridad

- 1 Advertencia
- 2 Proteja los ojos. Gases potencialmente explosivos le pueden enceguecer o lesionar.
- 3 Evite chispas y llamas. No fume.

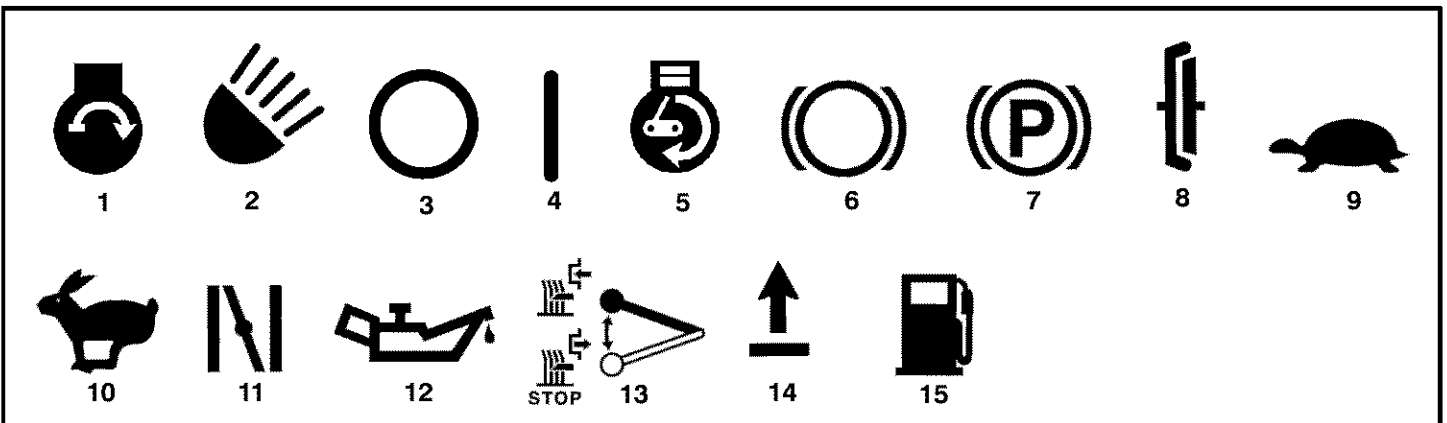
- 4 El ácido sulfúrico puede causar ceguera o quemaduras graves.
- 5 Limpie los ojos inmediatamente con agua. Consiga asistencia médica inmediatamente.
- 6 **IMPORTANTE:** Lea el Manual del Usuario antes de operar esta máquina.
- 7 **ADVERTENCIA:** Objetos pueden ser lanzados de la máquina. Opere a una distancia segura de otras personas. Lea el Manual del Usuario antes de operar esta máquina.
- 8 **ADVERTENCIA:** No use esta máquina en cuevas de más de 15 grados.
- 9 **PELIGRO:** Mantenga a otras personas, particularmente niños, a una distancia segura de esta máquina.

- 10 **PELIGRO:** No pisar.
- 11 **PELIGRO:** Mantenga los pies y las manos a una distancia segura de la cuchilla en movimiento.
- 12 **PELIGRO:** Mantenga las manos a una distancia segura de la cuchilla en movimiento.
- 13 **PELIGRO:** Desconecte el cable de la bujía antes de realizar cualquier reparación en la máquina.
- 14 **ADVERTENCIA:** Superficie caliente.
- 15 **ADVERTENCIA:** Tenga cuidado al conectar o desconectar los accesorios.
- 16 **ADVERTENCIA:** Puede lesionar gravemente la mano.



### Símbolos de control y funcionamiento

- |                      |                   |   |
|----------------------|-------------------|---|
| 1 Arranque del motor | 5 Motor en marcha | 11 Cebador                              |
| 2 Faros              | 6 Freno           | 12 Aceite                               |
| 3 Parada del motor   | 7 Freno de mano   | 13 Dirección de rotación de la cuchilla |
| 4 Parada del motor   | 8 Embrague        | 14 Levantar                             |
|                      | 10 Marcha lenta   | 15 Combustible                          |
|                      |                   |   |
|                      |                   |   |



# PREPARACIÓN

## PREPARACIÓN

Lea y siga las instrucciones de preparación para su cortacésped. Todos los sujetadores se encuentran en la bolsa de piezas. No tire ninguna de las piezas ni materiales hasta que haya acabado de montar la unidad.

**NOTA.** En este manual de instrucciones, el lado derecho o izquierdo describe la ubicación de una pieza desde el punto de vista del cuando se encuentra sentado en la unidad.



**ADVERTENCIA.** Antes de hacer cualquier tipo de preparación o de dar servicio al cortacésped, desconecte el cable de la bujía.

## CÓMO SACAR LA UNIDAD DE LA CAJA

Para sacar la unidad de la caja, haga lo siguiente:

1. Ubique las dos lengüetas de separación ubicadas en la parte superior de la caja de cartón.
2. Jale la cinta de separación por más de doce pulgadas a la vez.
3. Vuelva a tirar de la cinta de separación, esta vez haciéndolo más cerca del cartón.
4. Una vez que la cinta de separación ha sido retirada completamente de ambos extremos, saque el marco de madera y colóquelo a un lado.
5. Repita el proceso en las lengüetas de separación de la parte inferior de la caja de cartón.
6. Coloque los paneles a un lado.
7. Mueva la palanca de cambios a la posición neutro (N).

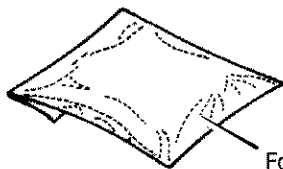
**NOTA:** Consulte la página 80 en la sección de Operación, para ver la ubicación de los controles.

8. Si el freno de estacionamiento está enganchado, pise a fondo el pedal de embrague / freno para desenganchar el freno
9. Mueva la palanca de elevación a la posición más alta.

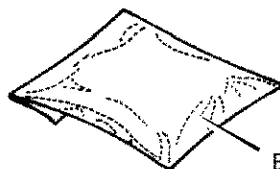
**PRECAUCIÓN:** Revise el fondo de la caja de cartón por si quedaran algunas grapas. Retire cualquier grapa que se encuentre en el camino de los neumáticos.

10. Retire el cortacésped de la plataforma de envío.

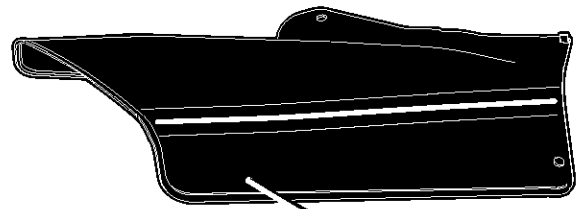
## CONTENIDO DE LA BOLSA DE PIEZAS SUeltas



Folleto informativo



Bolsa de piezas



Aditamento para descarga lateral

# PREPARACIÓN

## BATERÍA LIBRE DE MANTENIMIENTO

**IMPORTANTE.** Antes de conectar los cables de batería a la batería, compruebe la fecha de la misma. Esta fecha le indicará si necesita cambiar la batería.

- Levante el soporte del asiento y fíjelo en la posición LEVANTADA con la varilla del soporte.
- Busque la **fecha de la batería** en la parte superior de la misma (Figura 42).
- Si la **batería** va a entrar en servicio *antes* de la **fecha de la batería**, puede conectar los cables sin cambiar la **batería**. Consulte "Cómo instalar los cables de la batería".
- Si la **batería** va a entrar en servicio *después* de la **fecha de la batería**, tendrá que cargarla. Consulte "Cómo cargar una batería sin mantenimiento".

## CÓMO CARGAR UNA BATERÍA LIBRE DE MANTENIMIENTO



**ADVERTENCIA.** No fume cuando esté cargando la batería. No deje que le lleguen chispas. Los vapores de la batería podrían provocar una explosión.

- Para desconectar la **abrazadera de la batería** de la **bandeja**, empuje el extremo inferior de la **abrazadera**.
- Quite la **batería** desde el lado derecho de la unidad.
- Quite las tapas protectoras de los **bornes de la batería**.

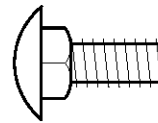
- Use un cargador de baterías de 12 voltios para cargar la **batería**. Cárguela a una velocidad de 6 amperios por hora. Si no tiene un cargador, lleve la batería a un centro autorizado para que lo hagan por usted.
- Instale la **batería** y fíjela en su sitio con su **sujetador**. El **terminal positivo (+)** tiene que quedar a la derecha.

## CÓMO INSTALAR LOS CABLES DE LA BATERÍA

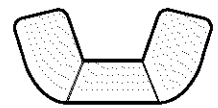


**ADVERTENCIA.** Para que no se produzcan chispas, conecte el cable rojo al borne positivo (+) antes de conectar el cable negro.

Use los sujetadores que se muestran a continuación para instalar los **cables de la batería**. Los sujetadores vienen junto con los cables de la batería.



(A)  
2x82



(B)  
14x79

- Quite las tapas protectoras de los **bornes de la batería**.
- Conecte el **cable rojo** al **borne positivo (+)** con los sujetadores como se indica (Figura 42).
- Monte el **manguito protector** de la batería al terminal **positivo (+)**.
- Conecte el **cable negro** al **borne negativo (-)** con los sujetadores como se indica.

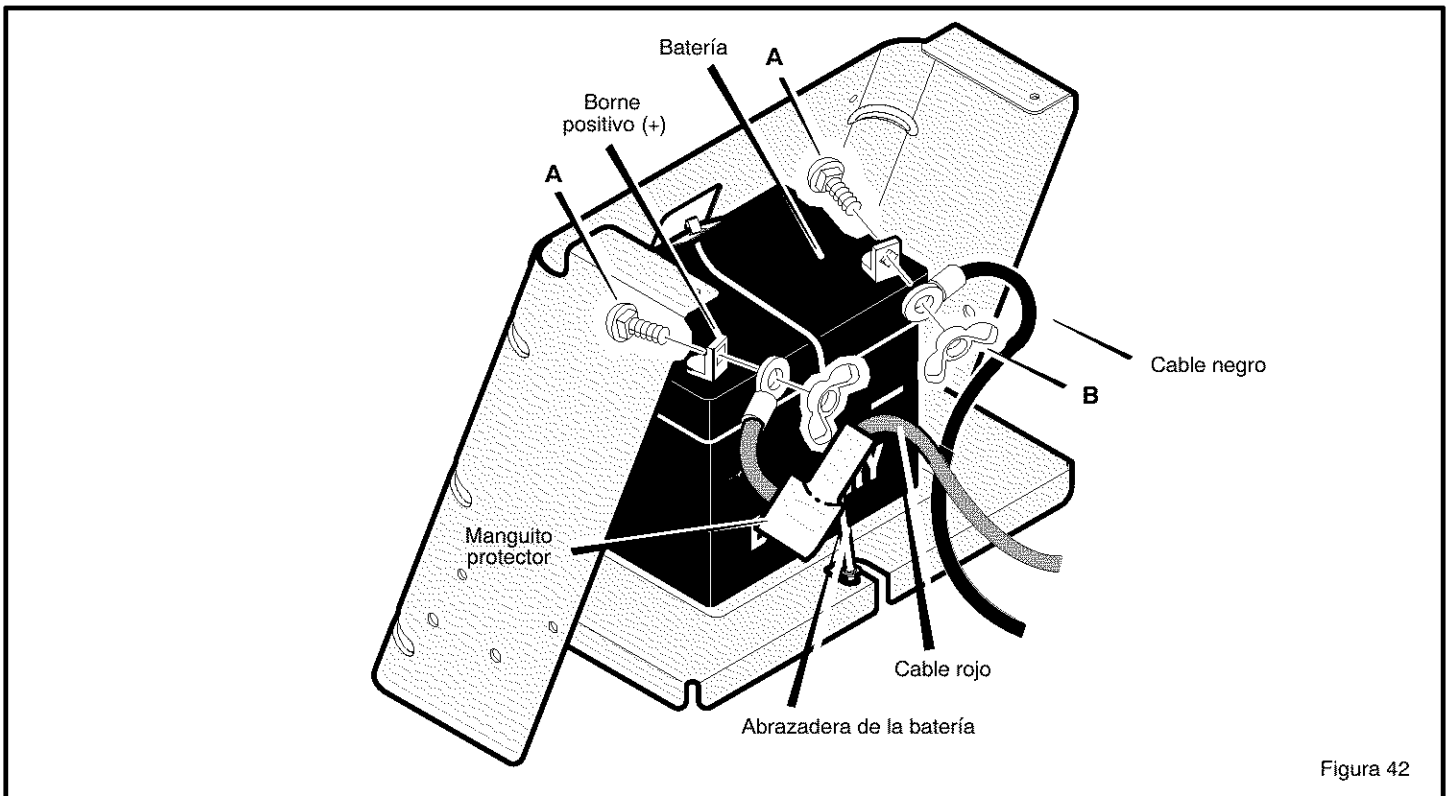


Figura 42

---

# PREPARACIÓN

---

## CÓMO PREPARAR EL MOTOR

**NOTA.** El motor viene de fábrica lleno de aceite. Compruebe su nivel. Añada más aceite si es necesario.

Lea toda la información de seguridad, funcionamiento, mantenimiento y almacenamiento antes de utilizar la unidad.

---

## CÓMO REVISAR SI EL CÁRTER ESTÁ NIVELADO

Asegúrese de haber cortado el césped de manera uniforme. Una vez haya cortado un trozo, vuélvase a observarlo. Si el cárter no está cortando de forma pareja, lea las instrucciones en "Cómo nivelar el cárter" en la sección de Servicio y Ajuste de este manual de instrucciones.

---

## CÓMO REVISAR LOS NEUMÁTICOS

Revise la presión de aire de los neumáticos. Demasiada presión de aire en los neumáticos hará que la unidad salte. También, la presión de aire incorrecta hará que el cárter de la cortadora de césped corte en forma dispereja. La presión de aire (PSI) correcta es la indicada a continuación. Las ruedas delanteras semineumáticas no requieren aire.

Neumáticos delanteros	22 PSI (1,5 BAR)
Neumáticos traseros	14 PSI (1 BAR)

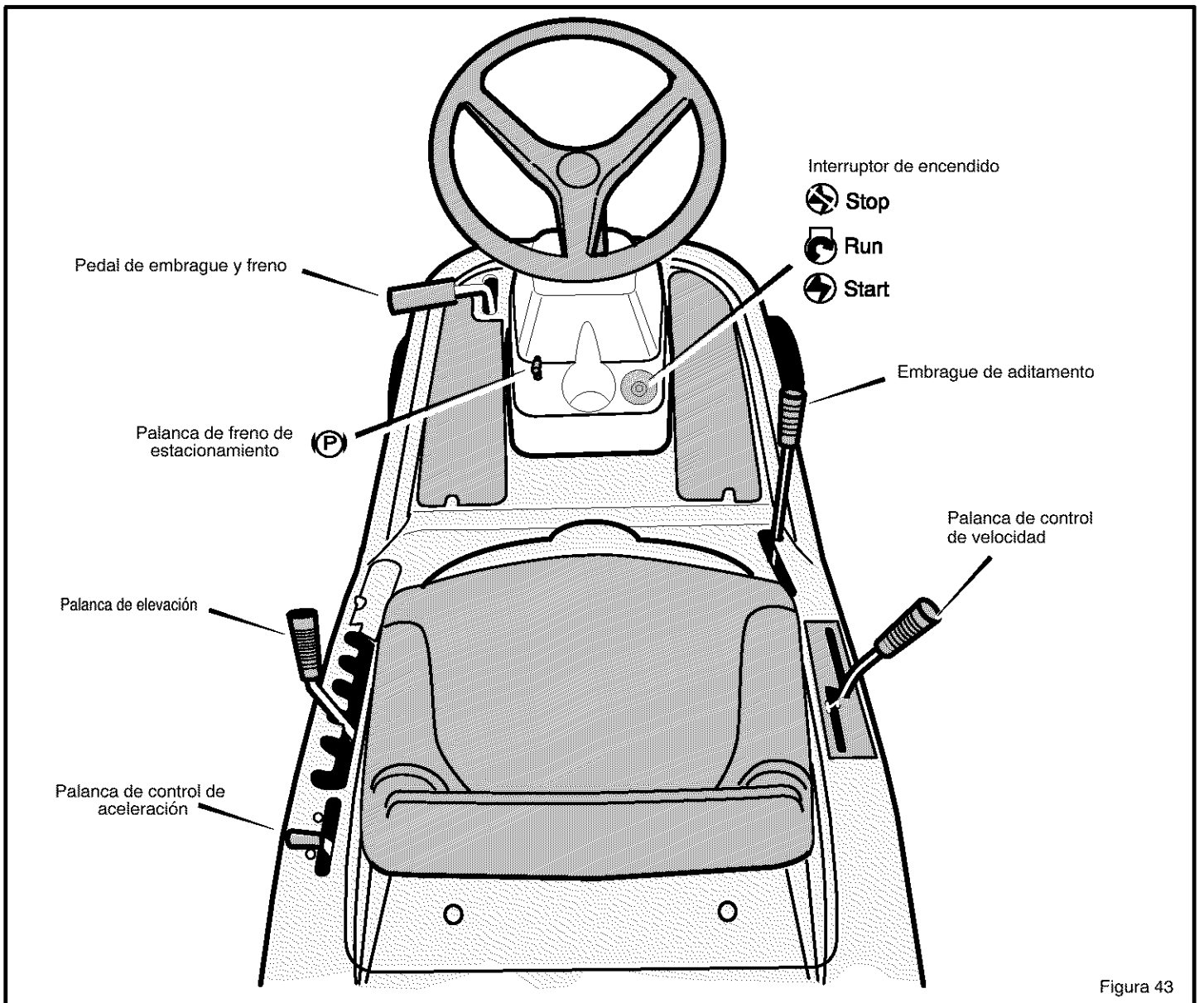
---

## ¡IMPORTANTE! ANTES DE EMPEZAR A CORTAR EL CÉSPED

- Revise el aceite del motor.
- Llene el tanque de gasolina.
- Compruebe que el cárter esté nivelado.
- Revise la presión de los neumáticos.
- Asegúrese de que los cables de la batería estén conectados.



# OPERACIÓN



La operación de cualquier cortadora de césped puede causar el lanzamiento de objetos extraños y lesionar los ojos, lo cual puede resultar en daños graves a la vista. Siempre utilice gafas de protección o un protector para los ojos antes de encender su cortadora de césped o mientras está cortando el césped. Recomendamos gafas de seguridad estándar o una máscara de seguridad de visión amplia (Wide Vision Safety Mask) para colocar sobre los lentes.

## UBICACIÓN DE CONTROLES

**EMBRAGUE DE ADITAMENTOS:** Utilice el embrague de aditamentos para iniciar y parar la rotación de la cuchilla y para operar el aditamento del quitanieves.

**PEDAL DE EMBRAGUE Y FRENO:** El pedal tiene dos funciones. La primera función es de embrague. La segunda función es de freno.

**INTERRUPTOR DE ENCENDIDO:** Utilice el interruptor de encendido para encender y apagar el motor.

**PALANCA DE CONTROL DE VELOCIDAD** Utilice esta palanca para cambiar la velocidad y la dirección de la unidad.

F-030614L

**PALANCA DE ELEVACIÓN:** Utilice la palanca de elevación para cambiar la altura del corte.

**PALANCA DE FRENO DE ESTACIONAMIENTO:** Utilice la palanca de freno de estacionamiento para enganchar el freno cuando deja la unidad.

**PALANCA DE CONTROL DE ACELERACIÓN:** Utilice la palanca de control de aceleración para aumentar o disminuir la velocidad del motor.

# OPERACIÓN

## CÓMO DETENER LA UNIDAD

El sistema eléctrico tiene un sistema que detecta la presencia del operador, el cual incluye un sensor conectado al asiento. Estos componentes le indican al sistema eléctrico si el operador está sentado en el asiento. Este sistema parará el motor cuando el operador salga de su asiento. Para su protección, asegúrese de que este sistema siempre funcione correctamente.

1. Pise a fondo el **pedal de embrague y freno** para detener la unidad. Mantenga su pie en el pedal.
2. Mueva el control de rotación de la cuchilla a la posición **DESEMBRAGUE**.

3. Mueva la palanca de control de velocidad a la posición **NEUTRO**.
4. Enganche el freno de estacionamiento.



**Asegúrese de que el freno de estacionamiento detenga la unidad.**

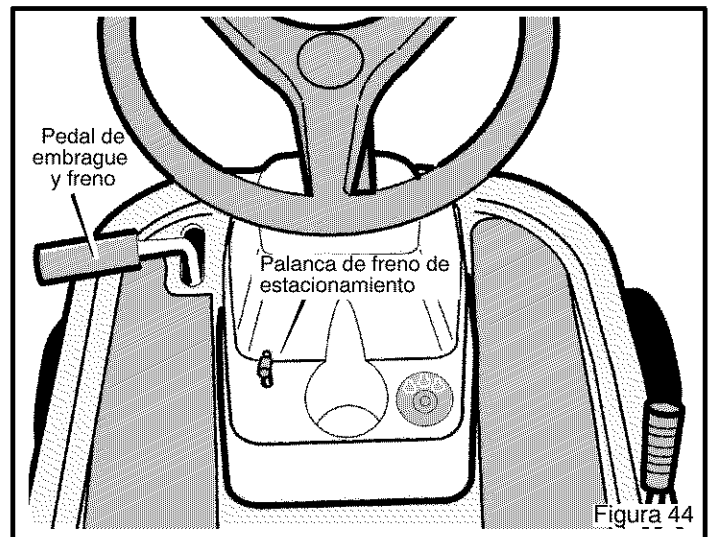
5. Mueva la palanca de control de aceleración a la posición **LENTO**.
6. Para apagar el motor, ponga la llave de encendido en la posición **OFF**. Saque la llave.

## CÓMO ENGANCHAR EL FRENO DE ESTACIONAMIENTO

1. Pise a fondo el **pedal de embrague y freno**.
2. Levante la **palanca del freno de estacionamiento** (Figura 44).
3. Retire su pie del pedal de embrague y freno y entonces suelte la **palanca del freno estacionamiento**. Asegúrese de que el freno de estacionamiento detenga la unidad.
4. Para soltar el **freno de estacionamiento**, pise a fondo el **pedal de embrague y freno**. El freno de estacionamiento se soltará automáticamente.



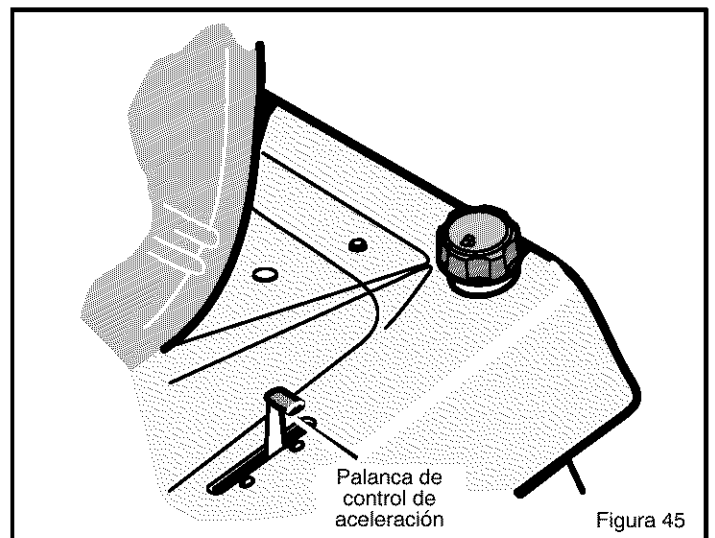
**ADVERTENCIA:** Antes de dejar la posición de operador, mueva la palanca de cambios a la posición neutro (N). Enganche el freno de estacionamiento. Mueva el control de rotación de la cuchilla a la posición **DESEMBRAGUE**. Apague el motor y saque la llave de encendido.



## CÓMO USAR EL BOTÓN DE CONTROL DE ACELERACIÓN / CEBADOR

Use el **botón de control de aceleración / cebador** para ahogar el motor cuando necesite arrancarlo en frío y aumentar o disminuir la velocidad del motor (Figura 45).

1. Mueva el **botón de control de aceleración / cebador** hacia adelante hasta la posición **AHOGAR** para arrancar el motor en frío.
2. La posición **RÁPIDO** está marcada con un tope. En condiciones normales y cuando lleve un recolector de hierba, ponga el **control de aceleración** en la posición **RÁPIDO**. Para cargar la batería al máximo y cuando el motor funcione en frío, opere el motor en la posición **RÁPIDO**.
3. El regulador de velocidad del motor ha sido ajustado en la fábrica para que usted obtenga el máximo rendimiento. No ajuste el regulador para aumentar la velocidad del motor.



# OPERACIÓN

## CÓMO USAR EL EMBRAGUE DE ADITAMENTO

El **embrague de aditamentos** se usa para enganchar la cuchilla (Figura 46).

1. Antes de arrancar el motor, asegúrese de que el **embrague de aditamentos** esté en la **posición DESEMBRAGUE**.
2. Para que la cuchilla empiece a girar, mueva el **embrague de aditamentos** hacia adelante para bloquear la en la posición de **EMBRAGUE**.
3. Para detener la cuchilla, mueva el **embrague de aditamentos** a la **posición DESEMBRAGUE**. Asegúrese de que la cuchilla haya dejado de girar antes de bajarse del asiento.
4. Si tiene que pasar con la máquina por una acera o carretera, mueva el **embrague de aditamentos** a la **posición de DES-EMBRAGUE**.



**ADVERTENCIA.** Nunca acerque las manos y los pies a la cuchilla, a la abertura del deflector ni al cárter mientras el motor esté en marcha.

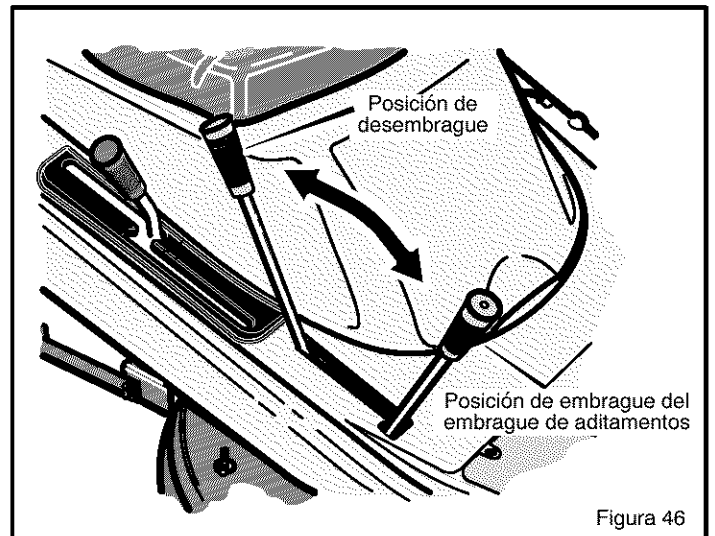


Figura 46

## CÓMO CAMBIAR LA ALTURA DE CORTE

Para cambiar la altura de corte, levante o baje la **palanca de elevación** según los pasos siguientes.

1. Mueva la **palanca de elevación** hacia abajo para bajar el cárter de la cortadora de césped y hacia arriba para levantar el cárter de la cortadora de césped (Figura 47).
2. Cuando Ud. conduce sobre una acera o una calle, mueva la **palanca de elevación** a la posición más alta y mueva el control de rotación de la cuchilla a la posición **DESEMBRAGUE**.

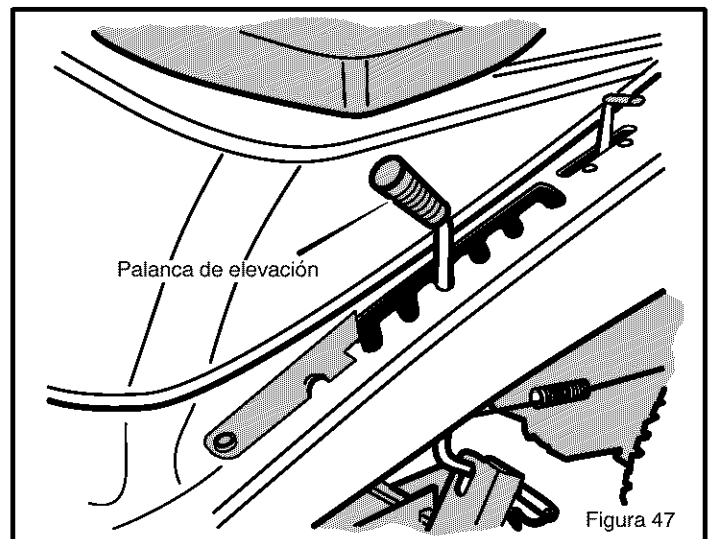


Figura 47

## CÓMO DESCONECTAR LA TRANSMISIÓN

Para empujar la unidad, use la **desconexión automática** para desactivar la transmisión. (Figura 48)

1. El motor debe estar apagado.
2. La **desconexión automática de la transmisión** está ubicada debajo del lado izquierdo de la plataforma del asiento, junto al eje transversal hidrostático.
3. Mueva y asegure la **desconexión automática de la transmisión** en la posición de **EMPUJE** (Figura 48). La transmisión está ahora *desactivada* y se puede empujar la unidad.

**NOTA:** En clima frío, la alta viscosidad del aceite en la transmisión hará que la unidad sea difícil de empujar.

4. Para activar la transmisión, quite el seguro de la **desconexión automática**. La transmisión está ahora *activada* y lista para funcionar.

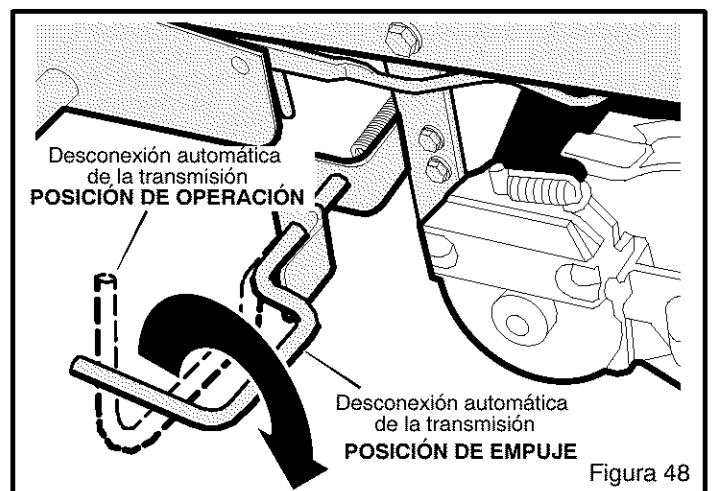


Figura 48

# OPERACIÓN

## CÓMO USAR LA PALANCA DE CONTROL DE VELOCIDADES

La transmisión hidrostática es muy fácil de operar. El sistema de transmisión tiene un pedal de embrague / freno en el lado izquierdo (Figura 49) y una palanca de control de velocidades y dirección en el lado derecho (Figura 50).

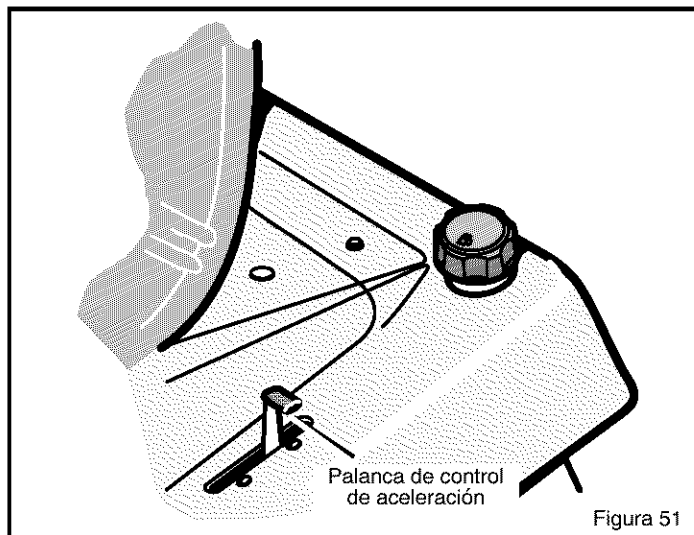
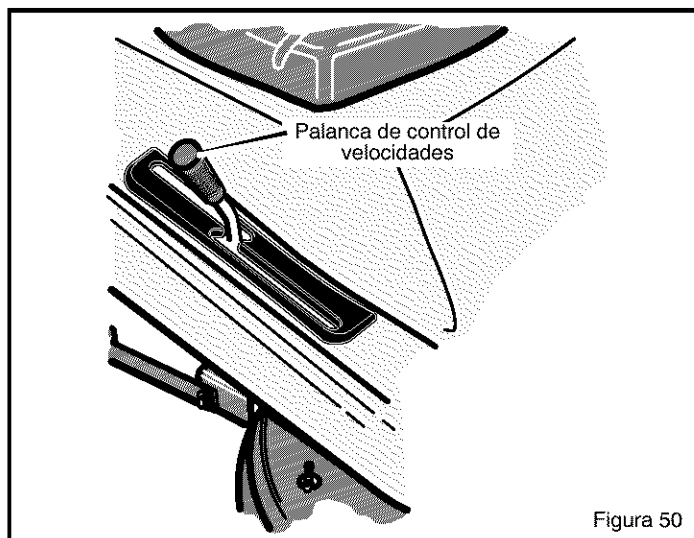
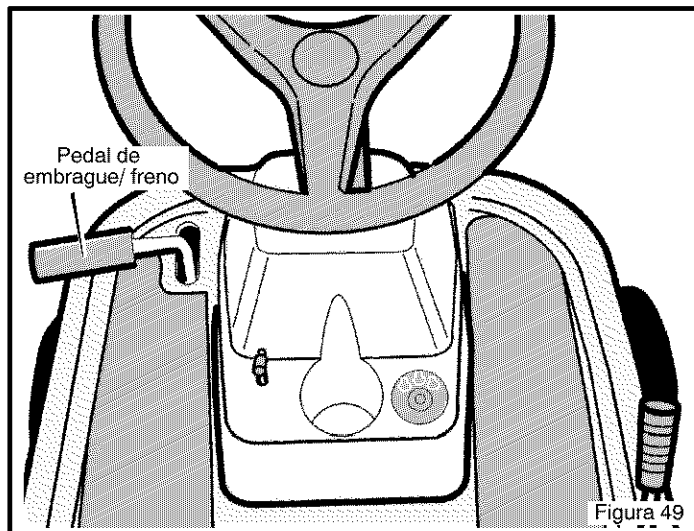
La velocidad y la dirección de avance son controladas por la palanca de control de velocidades (Figura 50). Use la palanca de control de velocidades tanto para avanzar como para retroceder.

## CÓMO AVANZAR

1. La **desconexión automática de la transmisión** debe estar en la posición de OPERACIÓN (Figura 48).
2. Apriete a fondo el pedal de embrague / freno para detener la unidad (Figura 49). No suelte el pedal.
3. Mueva la palanca de control de velocidad a la posición NEUTRO (Figura 50).
4. Suelte lentamente el pedal de embrague / freno (Figura 49). No deje el pie sobre el pedal.
5. Mueva el control de aceleración a la posición RÁPIDO (Figura 51).
6. Empuje lentamente la palanca de control de velocidades hasta alcanzar la velocidad deseada (Figura 49).

## CÓMO CAMBIAR DE DIRECCIÓN / MARCHA ATRÁS

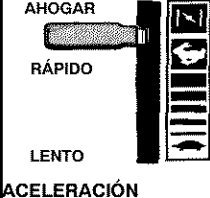
1. Mire hacia atrás.
2. Mueva la palanca de control de velocidades a la posición NEUTRO (Figura 51).
3. Para retroceder, mueva la palanca de control de velocidades a la posición de MARCHA ATRÁS.



# OPERACIÓN

## POSICIONES DE LA PALANCA DE CONTROL DE VELOCIDADES

La velocidad de avance se controla por la posición de la **palanca de control de velocidades**. El cuadro siguiente incluye las **funciones** junto con las posiciones correspondientes de la **palanca de control de velocidades**. Siempre opere el motor con el **control de aceleración** en la posición **RÁPIDO**.

FUNCIÓN	POSICIÓN DE LA PALANCA DE CONTROL DE VELOCIDADES	CONTROL DE ACELERACIÓN
Recorte Cuestas inclinadas	1/3	
Recogido de hierba	1/3 a 1/2	
Corte normal	1/2 a 2/3	
Corte ligero	1/2 a 3/4	
Transporte	TOTAL	
Remolques	1/3 a 1/2	

## CÓMO TRANSPORTAR LA UNIDAD

Para transportar la unidad, siga los pasos siguientes.

1. Mueva el embrague de aditamento a la posición DESENGANCHADO.
2. Levante la palanca de elevación a la posición más alta.
3. Mueva la palanca de control de aceleración a una posición entre LENTO y RÁPIDO.
4. Para avanzar más rápido, mueva la palanca de control de velocidades a una velocidad más rápida.

# OPERACIÓN

## CÓMO DE INSTALAR EL ADITAMENTO PARA DESCARGA LATERAL



**ADVERTENCIA.** Para evitar que el motor arranque, desconecte el cable de la bujía. El embrague del aditamento tiene que estar en la posición de **DESEMBRAGUE**.

La **cubierta para trituradora** le permite triturar la hierba para obtener un corte más fino y limpio. Para descargar la hierba por el lado, instale el **aditamento para descarga lateral** de la siguiente manera.

1. Desatornille las dos **tuercas de mariposa** (Figura 52).

2. Levante la **cubierta para trituradora**. Monte el **aditamento de descarga lateral** en los mismo pernos que sujetaban la **cubierta para trituradora**.

3. Sujete el **aditamento de descarga lateral** con las **tuercas de mariposa**.

4. Para triturar la hierba, quite el **aditamento de descarga lateral** e instale la **cubierta para trituradora** en el cárter del cortacésped usando las **tuercas de mariposa**.

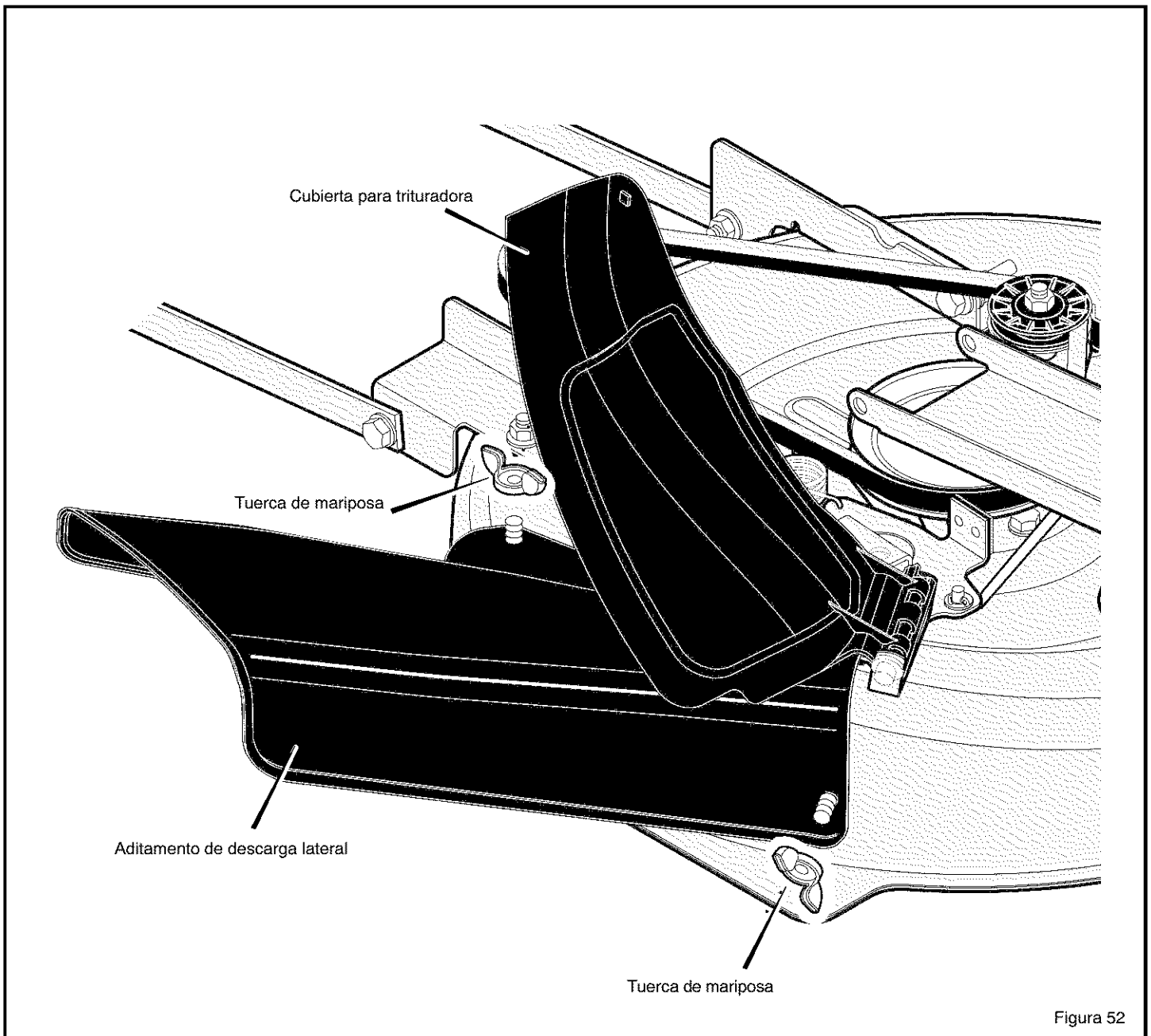


Figura 52

# OPERACIÓN

## ANTES DE ENCENDER EL MOTOR

### REVISE EL ACEITE

**NOTA:** La unidad fue enviada desde la fábrica con el motor lleno de aceite SAE, peso 30. Revise el nivel del aceite. Agregue aceite, según sea necesario.

1. Asegúrese de que la unidad esté nivelada.

**NOTA:** No revise el nivel del aceite cuando el motor esté en marcha.

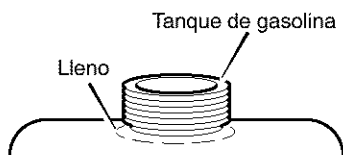
2. Limpie las partes alrededor de la varilla indicadora del nivel de aceite. Retire la varilla indicadora. Limpie el aceite de la varilla.
3. Inserte la varilla indicadora dentro del tubo para agregar aceite. Gire la varilla indicadora hacia la derecha hasta que esté apretada. Retire la varilla indicadora y revise el nivel del aceite. El nivel de aceite debe llegar hasta la marca LLENO en la varilla.
4. Si sea necesario, agregue aceite hasta que el aceite llegue hasta la marca LLENO en la varilla indicadora. La cantidad de aceite necesaria desde AGREGAR a LLENO se muestra en la varilla indicadora. No agregue demasiado aceite.

### AGREGUE GASOLINA



**ADVERTENCIA:** Utilice siempre un recipiente aprobado de gasolina. No fume mientras agrega gasolina al tanque de combustible. No agregue gasolina cuando esté en un lugar cerrado. Antes de agregar gasolina, apague el motor y déjelo que se enfríe durante varios minutos.

Llene el tanque de combustible con gasolina regular sin plomo. No utilice gasolina sin plomo de alto octanaje. Asegúrese de que la gasolina sea fresca y limpia. Gasolina con plomo aumentará depósitos y acortará la vida útil de las válvulas.



**PRECAUCIÓN:** Los combustibles mezclados con alcohol (llamados gasohol o aquellos que usan etanol o metanol), pueden atraer humedad lo cual causa la separación y formación de ácidos durante el almacenamiento de la unidad. La gasolina que contiene ácidos puede dañar el sistema de combustible de un motor mientras la unidad se encuentra almacenada.

Para evitar problemas con el sistema de alimentación de combustible, vacíe éste último antes de guardar la unidad por 30 días continuos o más, siguiendo los pasos siguientes.

1. Drene el tanque de combustible.
2. Encienda el motor. Deje que el motor funcione hasta que las líneas de combustible y el carburador estén vacíos.
3. Después de haber guardado la máquina, asegúrese de utilizar combustible fresco. Consulte las instrucciones de almacenamiento para información adicional.
4. Nunca utilice limpiador de motor o limpiador de carburador en el sistema de alimentación de combustible, ya que podrían ocurrir daños permanentes.

### CARBURADOR

Los ajustes de fábrica para el carburador son para la mayoría de las condiciones. Si el motor funciona bajo las condiciones siguientes, puede ajustar la mezcla del carburador. Consulte "Cómo ajustar el carburador" en la sección de Servicio y Ajuste.

1. El motor tiene una pérdida de potencia o no funciona suavemente.
2. Un cambio de operación de verano a invierno.
3. Un cambio en la temperatura de operación de más de 40 grados. El carburador fue ajustado a 80 grados en la fábrica.
4. El motor funciona a una altura superior a 4.000 pies.

## CÓMO ARRANCAR EL MOTOR



**ADVERTENCIA:** El sistema eléctrico tiene un sistema que detecta la presencia del operador, el cual incluye un sensor conectado al asiento. Estos componentes le indican al sistema eléctrico si el operador está sentado en el asiento. Este sistema parará el motor cuando el operador salga de su asiento. Para su protección, asegúrese de que este sistema siempre funcione correctamente.

**NOTA:** El motor no arrancará a menos que usted pise el pedal de embrague y freno, o enganche el freno de estacionamiento y mueva la palanca de embrague de aditamentos a la posición de DESEMBRAGUE.

1. Siéntese en el medio del asiento. Empuje el pedal de embrague y freno completamente hacia adelante. Mantenga su pie sobre el pedal.
2. Mueva la palanca de control de velocidades a la posición neutro (N).
3. Asegúrese de que el embrague de cuchilla esté en la posición DESEMBRAGUE.

4. Empuje completamente hacia adelante la palanca de de control de aceleración hasta la posición AHOGAR o RÁPIDO. Algunos modelos tienen una perilla de cebado del carburador separada. Tire de la perilla completamente hasta que esté en la posición AHOGAR.
5. Gire la llave de encendido a la posición ARRANQUE. Suelte la llave cuando el motor arranque.

**NOTA:** Si el motor no arranca después de cuatro o cinco intentos, mueva el acelerador a la posición RÁPIDO. Intente arrancar el motor otra vez. Si el motor no arranca, consulte la TABLA DE LOCALIZACIÓN DE AVERÍAS.

6. Mueva lentamente el control de aceleración a la posición LENTO. Si el modelo tiene un botón cebador separado, presione el botón cebador.
7. Deje que un motor frío esté en marcha durante varios minutos. Comience a cortar el césped una vez que el motor se caliente. Para arrancar un motor caliente, mueva el acelerador a una posición entre RÁPIDO y LENTO.

---

# OPERACIÓN

---

## CÓMO OPERAR, CON EL CÁRTER DE LA CORTADORA



**ADVERTENCIA:** La cubierta para trituradora es un dispositivo de seguridad. No la quite. El deflector fuerza el material cortado hacia la tierra. Manténgalo siempre en la posición hacia abajo. Si el deflector está dañado, reemplácelo con una pieza original obtenida en un Centro de Servicio Sears.

**IMPORTANTE:** Cuando opere con el cárter del cortacésped, hágalo siempre con el control de aceleración colocado en la posición RÁPIDO.

1. Empuje el pedal de embrague y freno completamente hacia adelante.
2. Arranque el motor.
3. Mueva la palanca de control de velocidades in la posición NEUTRO.
4. Lentamente suelte el pedal de embrague y freno.
5. Mueva la palanca de elevación a una posición de altura de corte. Cuando la hierba está alta o densa, corte el césped en la posición más alta primero y luego córtelo otra vez con el cárter del cortacésped en una posición más baja.

**PRECAUCIÓN:** No opere la unidad con el cárter del cortacésped en la posición de AJUSTE DE NIVEL. Si lo hace, el cárter y las cuchillas del cortacésped pueden resultar dañados.

6. Mueva el acelerador a la posición LENTO.
7. Mueva el embrague de aditamento a la posición de ENGANCHADO.
8. Mueva la palanca de control de velocidades hacia adelante.

**NOTA:** Cuando corta en césped denso o con una bolsa recogedora, opere la unidad a una velocidad de avance más baja.

9. Mueva el control de aceleración a la posición RÁPIDO. Si necesita ir más rápido o más despacio, mueva la palanca de control de velocidades hacia adelante o hacia atrás.
10. Asegúrese de que el nivel de corte ajustado en la fábrica sea correcto todavía. Después de cortar una corta distancia, observe el área que ha sido cortada. Si el cárter de la cortadora no corta de forma pareja, consulte las instrucciones sobre "Cómo nivelar el cárter de la cortadora de césped" en la sección de Servicio y Ajuste.



**ADVERTENCIA:** Para un mejor control de la unidad, seleccione siempre una velocidad segura.

---

## CÓMO OPERAR LA UNIDAD EN CUESTAS



**ADVERTENCIA:** No suba ni baje cuestas que son demasiado empinadas para poder retroceder en una línea recta. Nunca maneje la unidad a través de una cuesta. Consulte la "Guía para cuestas" al final de este manual para obtener información sobre cómo evaluar las cuestas.

1. Antes de manejar cuesta arriba o cuesta abajo, mueva la palanca de control de velocidades a una velocidad más baja.
2. No pare la unidad ni cambie las velocidades cuando se encuentre en una cuesta. Si debe parar, empuje rápidamente el pedal de embrague y freno hacia adelante y enganche el freno de estacionamiento.

3. Para arrancar de nuevo, asegúrese de que la palanca de control de velocidades esté en una velocidad más baja. Mueva el control de aceleración a la posición LENTO. Y vaya soltando lentamente el pedal.
4. Si debe parar o arrancar en una cuesta, tenga siempre suficiente espacio para que la unidad ruede cuando suelte el freno y enganche el embrague.
5. Tenga mucho cuidado cuando cambia de dirección sobre una cuesta. Cuando está en una cuesta o en una curva sobre la cuesta, mueva el control de aceleración a la posición LENTO para evitar accidentes.

---

## ADITAMENTOS

A esta unidad se le pueden instalar varios aditamentos. La unidad puede tirar de aditamentos tales como una barredora, un aireador, un esparcidor o un remolque pequeño. Esta unidad no puede usar aditamentos que entren en la tierra, tales como un arado, un pulverizador con discos o un cultivador.

Para todos los aditamentos de arrastre o remolques, el peso bruto no puede superar las 200 libras. El peso bruto es el peso del aditamento remolque y de la carga que lleve.



**ADVERTENCIA:** Para evitar la posibilidad de lesiones graves, no debe cortar el césped en cuestas que tengan más de 15 grados de inclinación. Si se usa el tractor con un aditamento de arrastre o de enganche trasero, no opere la unidad en cuestas que tengan más de 10 grados de inclinación.



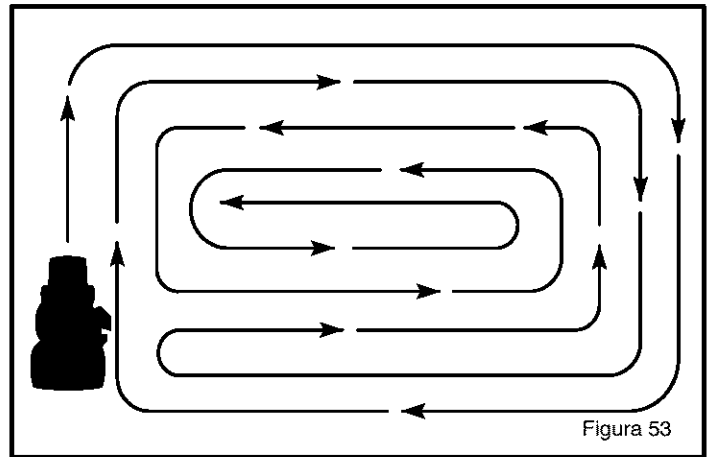
# OPERACIÓN

## SUGERENCIAS PARA LA OPERACIÓN

1. Examine el embrague de aditamentos para el ajuste correcto. Para que la cuchilla (o cuchillas) desenganche correctamente, el ajuste debe ser correcto.
2. Antes de usar la unidad, revise el aceite en el motor y añada aceite si es necesario.
3. Si no se enciende el motor, primero asegúrese que esté conectado el cable a la bujía.
4. Asegúrese que todas las correas estén dentro de las guías de correas. Consulte las instrucciones sobre cómo quitar e instalar las correas de transmisión de marcha y de transmisión de la cortadora.
5. Antes de hacer una ejecución una inspección, un ajuste (con excepción del carburador), o una reparación, asegúrese que el cable de la bujía esté desconectado.
6. Asegúrese de que el cable de interruptor del asiento esté conectado. Si el cable no está conectado, no se encenderá el motor.
7. Para una vida más larga de la batería, cárguela cada tres meses.
8. Utilice la palanca de cambios para cambiar la velocidad de vehículo, no el acelerador.
9. El ruido de la correa puede producirse cuando se engancha la cuchilla o el embrague. Este ruido es normal y no afecta la operación de la unidad.
10. Para avanzar, siempre suelte lentamente el pedal de embrague y freno.

## SUGERENCIAS PARA EL CORTE Y REGOGIDA DE LA HIERBA

1. Para que el césped luzca mejor, examine el nivel de corte del compartimento de cuchilla. Consulte "Cómo nivelar el cárter del cortacésped" en la sección de Servicio y Ajuste.
2. Para que el cárter de la cortadora de césped corte de forma pareja, asegúrese que los neumáticos tengan la cantidad correcta de presión de aire (PSI).
3. Cada vez que utilice la unidad, examine la cuchilla. Si la cuchilla está torcida o dañada, reemplácela inmediatamente. También, asegúrese que la tuerca para la cuchilla esté apretada.
4. Mantenga la cuchilla (o cuchillas) afilada. Las cuchillas gastadas causarán que las puntas del césped se tornen marrón.
5. No corte ni recoja la hierba cuando el césped esté mojado. La hierba mojada no se descargará correctamente. Permita que el césped se seque antes de cortarlo.
6. Utilice el lado izquierdo del cárter de la cortadora de césped para recortar cerca de algún objeto.
7. Descargue los recortes de la hierba sobre el área cortada. El resultado es una descarga más pareja de los recortes de la hierba.
8. Cuando se cortan áreas grandes, empiece por doblar a la derecha para que los recortes de la hierba se descarguen en sentido opuesto de los arbustos, las cerca, las entradas de autos, etc. Después de una o dos vueltas, corte en la dirección opuesta dando vueltas hacia la izquierda hasta que termine (Figura 53).
9. Si el césped está muy alto, córtelo dos veces para disminuir la carga sobre el motor. Primero corte con el cárter de la cortadora de césped en la posición más alta y luego bájelo para el segundo corte.
10. Para un mejor rendimiento del motor y una descarga pareja de los recortes de la hierba, siempre opere el motor con el acelerador en la posición RÁPIDO.
11. Cuando se utiliza una bolsa recogedora, opere el motor con el control de aceleración en la posición RÁPIDO y la palanca de control de velocidades usando una velocidad de avance más lenta.
12. Para un mejor rendimiento del corte y un corte de calidad, corte usando una velocidad de avance más lenta.
13. Después de cada uso, limpie la parte inferior y la parte superior del cárter de la cortadora de césped para un mejor rendimiento. Además, un cárter limpio ayudará a evitar un incendio.



## SUGERENCIAS PARA USAR LA TRITURADORA

Cuando se utiliza el aditamento para triturar, se corta la hierba en pedazos muy finitos. Estos pedazos se descompondrán muy rápidamente. El césped necesitará menos abono porque los alimentos nutritivos se vuelven a la tierra. Para triturar la hierba correctamente, siga los pasos a continuación.

1. Ponga el control de aceleración en la posición RÁPIDO. Opere la cortadora en una velocidad más lenta. Si la velocidad es demasiado rápida, el césped no tendrá un corte pareja.
2. Mantenga la cuchilla bien afilada. Una cuchilla desafilada causará que las puntas se tornen marrón.
3. Asegúrese que el césped esté seco. El césped mojado es muy difícil de cortar.
4. Ponga la altura del cárter de la cortadora de césped para que se corte solamente la tercera parte superior del césped. Si el césped es demasiado alto, ponga la altura del cárter a la altura máxima. Entonces, baje el cárter para un segundo corte. Además, en vez de usar la anchura completa del cárter, triture a la mitad de la anchura.
5. Limpie el fondo del cárter de la cortadora de césped. Los recortes de la hierba y otros escombros puede impedir que la cortadora funcione correctamente.
6. Si la hierba crece rápidamente, triture con más frecuencia.
7. Si un área necesita un mejoramiento, triture una segunda vez.

# MANTENIMIENTO

TABLA DE MANTENIMIENTO							
PROCEDIMIENTO		Cada uso	Primeras 2 horas	Cada 25 horas	Cada 50 horas	Cada 100 horas	Antes de guardar
C O R T A D O R A	Neumáticos, Revisar			√			
	Cuchilla, Inspeccionar y Afilar			√			
	Batería, Revisar y Cargar			√			√
	Batería, Limpiar				√		√
	Lubricación				√		√
M O T O R	Aceite, Revisar	√					
	Aceite, Cambiar		√				
	Sistema de enfriamiento, Limpiar	√			√		√
	Silenciador, Revisar				√		√
	Filtro de aire, Limpiar				√		
	Bujía, Revisar				√		√
	Bujía, Reemplazar					√	

## RECOMENDACIONES GENERALES

- El propietario es responsable de dar mantenimiento a este producto. Esto alargará la vida de la unidad y también es necesario para mantener la cobertura de garantía.
- Revise la bujía y el freno motriz, lubrique la unidad, y limpie el filtro de aire una vez al año.
- Revise los sujetadores. Asegúrese de que todos los sujetadores estén apretados.
- Siga las indicaciones de las secciones de Mantenimiento y de Servicio y Ajuste para mantener la unidad en buenas condiciones de funcionamiento.



**ADVERTENCIA:** Antes de hacer una inspección, un ajuste, o una reparación a la unidad, desconecte el cable que va a la bujía. Quite el cable de la bujía para prevenir que el motor se encienda por accidente.

## REVISIÓN DE LOS NEUMÁTICOS

Revise la presión de aire de los neumáticos. Demasiada presión de aire en los neumáticos hará que la unidad salte. También, la presión de aire incorrecta hará que el cárter de la cortadora de césped corte en forma dispereja. La presión de aire (PSI) correcta es la indicada a continuación. Las ruedas delanteras semineumáticas no requieren aire.

Neumáticos delanteros 22 PSI (1,5 BAR)  
Neumáticos traseros 14 PSI (1 BAR)

# MANTENIMIENTO

## INSPECCIÓN DE LA CUCHILLA

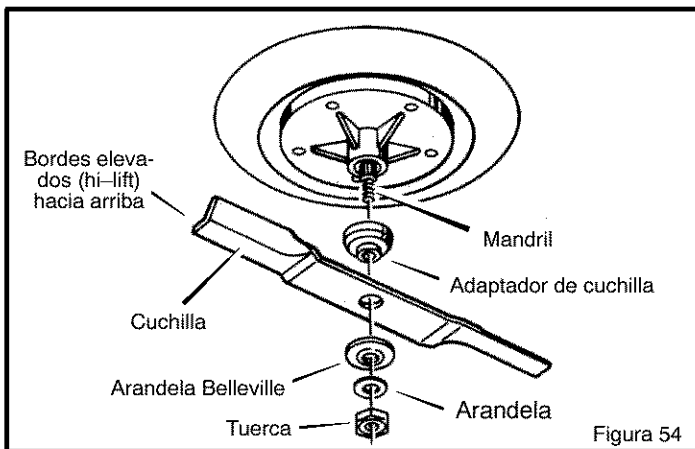
**ADVERTENCIA:** Antes de inspeccionar o sacar la cuchilla, desconecte el cable de la bujía. Si la cuchilla golpea un objeto, pare el motor. Examine la unidad por si tiene algún daño. La cuchilla tiene orillas muy afiladas. Cuando sujete la cuchilla, use guantes o un pedazo de tela fuerte para proteger sus manos.

Si mantiene la cuchilla afilada y la revisa por si tiene algún daño, la cuchilla cortará mejor y la unidad será más segura de operar. Revise con frecuencia el estado de la cuchilla para detectar desgaste excesivo, grietas u algún otro daño. Revise periódicamente la tuerca que sujeta la cuchilla. Mantenga la tuerca bien apretada. Si la cuchilla golpea un objeto, pare el motor. Desconecte el cable de la bujía. Revise la cuchilla por si estuviera doblada o dañada. Revise el adaptador de la cuchilla por si estuviera dañado. Reemplace cualquier parte dañada con repuestos originales, antes de operar la unidad. Si necesita asistencia técnica, vaya a un Centro de Servicio Sears cercano a usted. Cada tres años, haga que un técnico de servicio cualificado inspeccione o reemplace la cuchilla vieja con una cuchilla de repuesto original.

## CÓMO DESMONTAR Y MONTAR LA CUCHILLA

### Para sacar

1. Vacíe el tanque del combustible.
2. Levante el lado de la cortadora que contiene el silenciador o la bujía.
3. Mientras afloja la tuerca, use un pedazo de madera para inmovilizar la cuchilla.
4. Saque la **tuerca, arandelas y cuchilla** (vea la Figura 54).



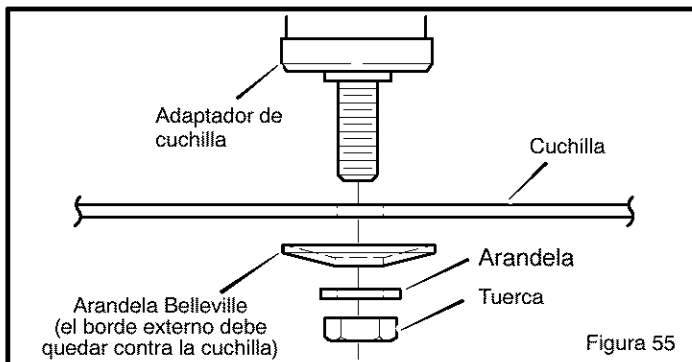
5. Revise la **cuchilla** y el **adaptador de cuchilla** según se indica en las instrucciones de "Inspección de la cuchilla". Reemplace una **cuchilla** muy desgastada o dañada con un repuesto original de fábrica. Consulte con un Centro de Servicio Sears cercano a usted.
6. Limpie el fondo del cárter del cortacésped para quitar todo resto de hierba y basura.

### Para instalar

1. Monte la **cuchilla** y el **adaptador de cuchilla** en el **mandril** (Figura 54).
2. Monte la **cuchilla** de manera que los **bordes elevados** queden hacia arriba. Si la **cuchilla** está puesta al revés, ésta no cortará de la manera correcta y podría causar un accidente.
3. Sujete la **cuchilla** con las **arandelas y tuerca** originales. Compruebe que el borde externo de la **arandela Belleville** quede contra la **cuchilla** (Figura 55).

**ADVERTENCIA:** Mantenga siempre apretada la tuerca que sujeta la cuchilla. Una tuerca o cuchilla floja puede causar un accidente.

4. Apriete la tuerca que sujeta la cuchilla con un par de apriete 35 libras-pie.

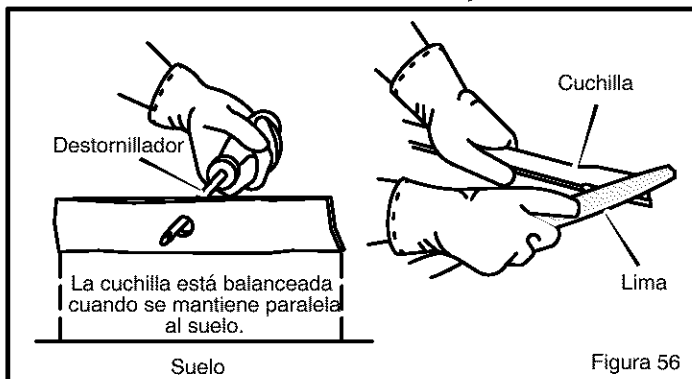


## CÓMO AFILAR LA CUCHILLA

**ADVERTENCIA:** Si la cuchilla no está bien equilibrada o si está dañada, puede causar vibración en la máquina. Una cuchilla dañada con grietas puede provocar un accidente.

Mantenga la hoja de la **cuchilla** afilada. Una **cuchilla** desafilada hará que las puntas de las brizas de hierba se tornen marrón.

1. Afile la **cuchilla** dos veces al año o cada 25 horas de uso.
2. Desmonte la **cuchilla** siguiendo las instrucciones que aparecen en la sección "Cómo desmontar y montar la cuchilla".
3. Limpie la **cuchilla** con un cepillo, jabón y agua. Revise la **cuchilla**. Fíjese si tiene grietas, muescas o algún otro daño. Si la **cuchilla** está muy desgastada o dañada, reemplácela con una **cuchilla** de repuesto original. Consulte en un Centro de Servicio Sears de su área.
4. Afile la **cuchilla** con una **lima** (Figura 56). Asegúrese de mantener ángulo oblicuo original.
5. Compruebe que la **cuchilla** esté bien balanceada. Use un **destornillador** y sujete la **cuchilla** de manera que quede paralela con el **suelo** (Figura 56). Si la **cuchilla** está bien balanceada se mantendrá paralela al **suelo**. Si la **cuchilla** no está bien balanceada, el extremo más pesado girará hacia el **suelo**. Afile el extremo pesado hasta que la **cuchilla** quede bien balanceada.
6. Una **cuchilla** nueva cortará mejor que una que esté muy desgastada. Cada tres años, haga que un técnico de servicio cualificado inspeccione la **cuchilla** o reemplace la **cuchilla** vieja por una **cuchilla** de repuesto original.
7. Monte las **cuchilla** de acuerdo a las instrucciones que aparecen en la sección "Cómo desmontar y montar la cuchilla".



# MANTENIMIENTO

## BATERÍA LIBRE DE MANTENIMIENTO

### CÓMO DESMONTAR LA BATERÍA

Si necesita cambiar o limpiar la **batería**, desmóntela de la siguiente manera.



**ADVERTENCIA.** Para evitar que se produzcan chispas, desconecte el cable negro de la batería del borne negativo (-) antes de desconectar el rojo.

**ADVERTENCIA.** La batería contiene ácido sulfúrico dañino para la piel, los ojos y la ropa. Si el ácido toca el cuerpo o la ropa, lávese con agua.

1. Desconecte el **cable negro** del **borne negativo (-)** (Figura 57).
2. Desconecte el **cable rojo** del borne **positivo (+)**.
3. Empuje el extremo inferior de la **abrazadera de la batería** para desconectarla de la **bandeja**.
4. Desmunte la **batería** desde el lado derecho de la unidad.

### CÓMO LIMPIAR LA BATERÍA

1. Desmunte la **batería**.
2. Lávela con un galón de agua mezclada con cuatro cucharadas de bicarbonato de soda. No deje que el agua entre en los elementos de la batería.

3. Limpie los **bornes** y los extremos de los **cables** con un cepillo para cables.
4. Instale la **batería**.
5. Aplique grasa a los **bornes** para prevenir la corrosión.

### CÓMO CARGAR LA BATERÍA



**ADVERTENCIA.** No fume mientras carga la batería. No deje que le lleguen chispas. Los gases del ácido de la batería podrían provocar una explosión.

1. Antes de cargar la **batería** tiene que desmontarla.
2. Use un cargador de 12 voltios para **baterías**. Cárguela a una velocidad de 6 amperios por 1 hora.
3. Instale la **batería**.



**ADVERTENCIA:** Para evitar que se produzcan chispas, conecte el cable rojo al borne positivo (+) antes de conectar el negro.

4. Conecte el **cable rojo** al **borne positivo (+)** con los sujetadores, como se muestra.
5. Monte el **manguito protector de la batería** al **borne positivo (+)**.
6. Conecte el **cable negro** al **borne negativo (-)** con los sujetadores, como se muestra.

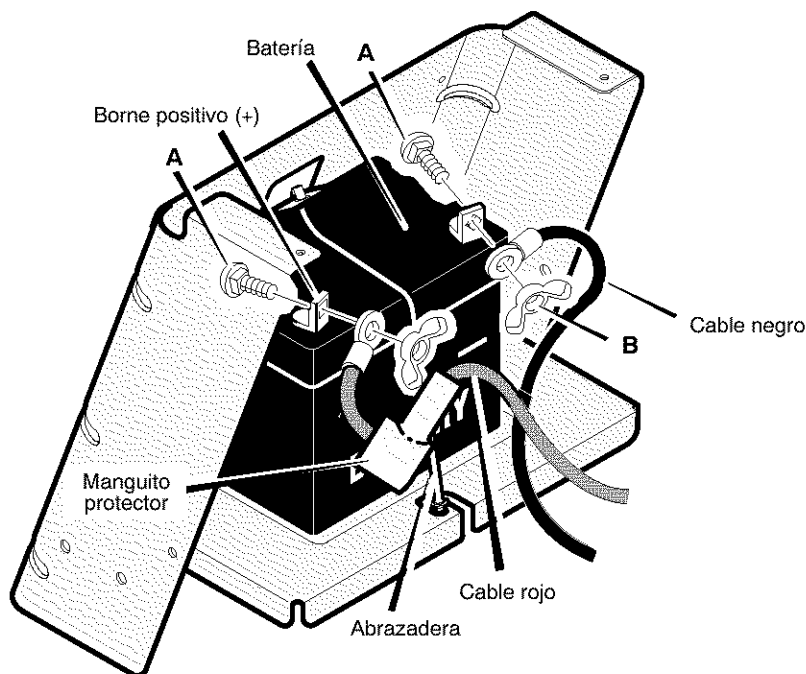


Figura 57

# MANTENIMIENTO

## DÓNDE LUBRICAR



Lubrique con aceite de motor las áreas mostradas.  
Aplique grasa con un cepillo a las áreas mostradas.

**NOTA:** Aplique grasa al ensamblado del mecanismo de dirección.

**PRECAUCION:** Si la unidad se opera en áreas áridas donde hay arena, utilice polvo de grafito seco para lubricar la unidad.

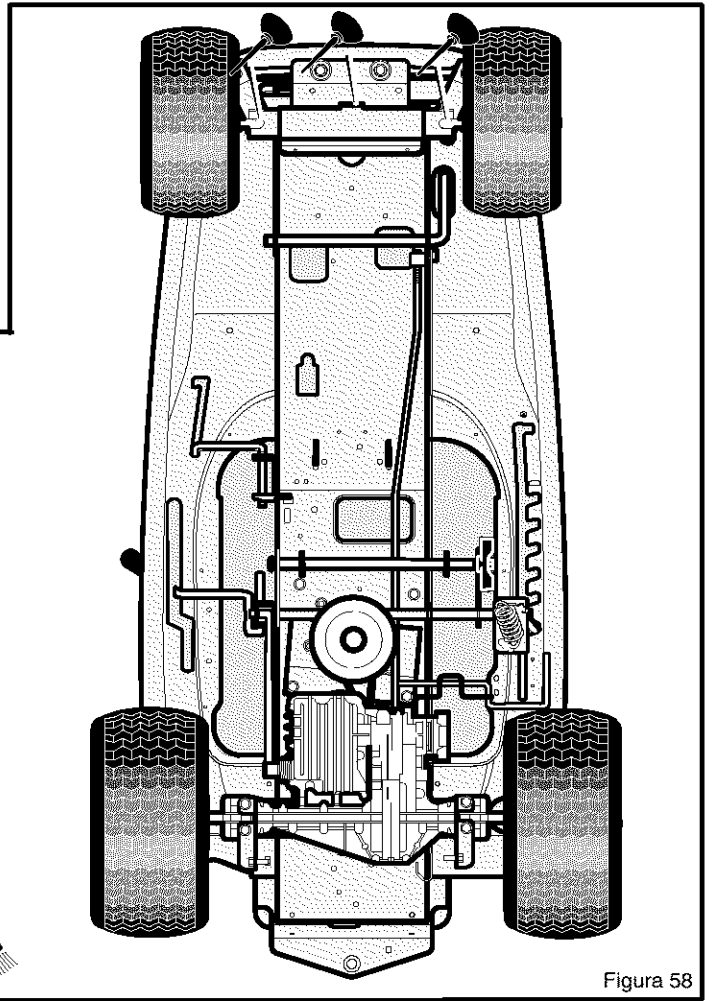
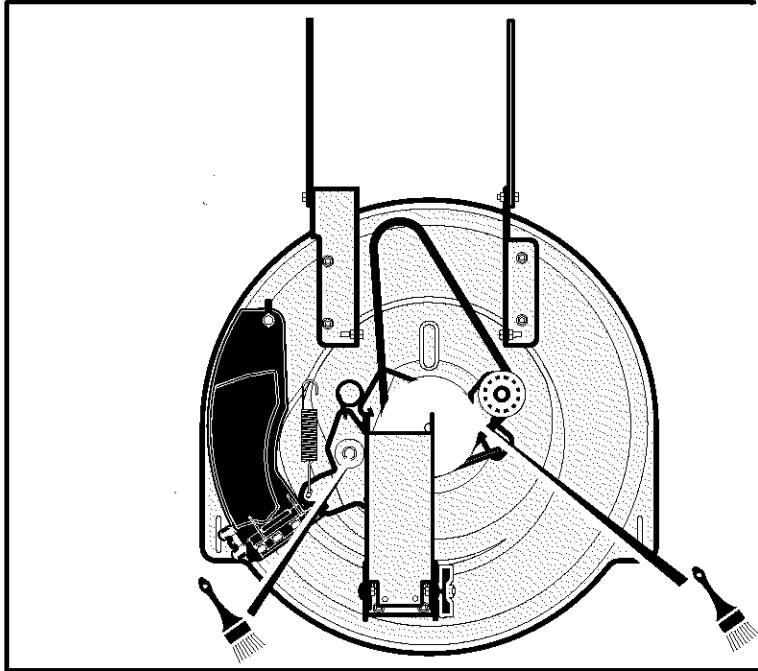


Figura 58

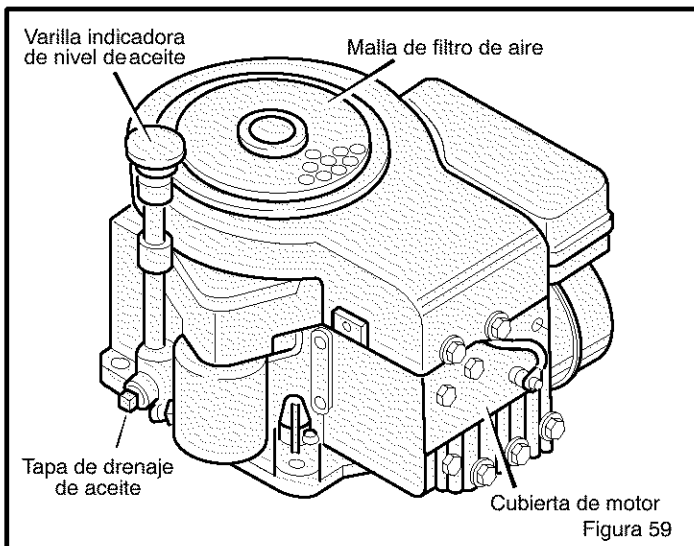
# MANTENIMIENTO

## MOTOR

### CÓMO REVISAR EL ACEITE

**NOTA:** No revise el nivel del aceite mientras que el motor esté en marcha.

1. Asegúrese de que la unidad esté nivelada.
2. Limpie el área alrededor de la **varilla indicadora de nivel de aceite** (Figura 59). Retire la **varilla indicadora**. Limpie el aceite de la **varilla indicadora**.
3. Inserte la **varilla indicadora** en el tubo para agregar aceite. Gire la **varilla** hacia la derecha hasta que esté apretada. Retire la **varilla**. Revise el nivel del aceite en la **varilla indicadora**. El nivel de aceite debe alcanzar hasta la marca FULL (lleno) en esta **varilla**.
4. Si sea necesario, agregue aceite hasta que el aceite alcance hasta la marca FULL en la **varilla indicadora**. La cantidad de aceite necesaria desde ADD (agregar) a FULL se muestra en la **varilla indicadora**. No agregue demasiado aceite.



### CÓMO CAMBIAR EL ACEITE

**NOTA:** No drene aceite de un motor frío. Antes de drenar el aceite, deje que el motor funcione durante varios minutos. Asegúrese de no derramar aceite en las correas.

1. Retire la **tapa de drenaje de aceite**. Drene todo el aceite del motor. Instale y apriete la **tapa de drenaje de aceite**.
2. Utilice solamente un aceite con detergente de alta calidad, valorado con la clasificación SF o SG de servicio API. Seleccione el grado de viscosidad SAE del aceite de acuerdo con la temperatura operativa anticipada, utilizando la tabla de temperaturas a continuación:

**Grados de viscosidad SAE requeridos**

				SAE 30						
	5W-30									
F	20	0	20	32	40	60	80	100		
C	30	20	10	0	10	20	30	40		
TABLE DE TEMPERATURES										

**NOTA:** Aunque los aceites de multiviscosidad (5W30, 10W30, etc.) mejoran el arranque en un clima frío, estos resultarán en más consumo del aceite cuando se usan en temperaturas superiores a 32° F. Revise el nivel de aceite del motor más frecuentemente para evitar la posibilidad de dañar el motor debido a la falta de aceite.

3. Limpie el área alrededor de la **varilla indicadora del nivel de aceite**. Retire la **varilla** del tubo para agregar aceite. Lentamente vierta aproximadamente 48 onzas (3 pintas) de aceite en el tubo.
4. Inserte la **varilla indicadora del nivel de aceite** en el tubo para agregar aceite. Gire la **varilla** hacia la derecha hasta que esté bien apretada. Retire la **varilla** y revise el nivel de aceite indicado. El nivel de aceite debe alcanzar hasta la marca FULL en la **varilla indicadora**.

### CÓMO LIMPIAR EL SISTEMA DE ENFRIAMIENTO

El motor es enfriado por aire. El aire que enfría el motor entra por la **malla de filtro de aire** encima del motor. Limpie el motor cada 100 horas de funcionamiento o cada año, cumpliendo los pasos siguientes.

1. Retire todo césped, tierra, o escombros de la **malla de filtro de aire**, usando una tela o un cepillo.
2. Inspeccione el borde de la **cubierta del motor** por si hay césped o escombros. Retire cualquier césped o escombros visibles al borde inferior de la **cubierta del motor**.

### CÓMO REVISAR EL SILENCIADOR

Revise el silenciador cada 50 horas. Asegúrese de que el silenciador esté montado correctamente y que no esté flojo. Si el silenciador está gastado o quemado, reemplácelo con un silenciador nuevo. Un silenciador gastado es un riesgo de incendio y también puede dañar el motor.

Si se ha conectado una rejilla parachispas al silenciador, revise también la rejilla parachispas cuando revise el silenciador. Si la rejilla parachispas está gastada o dañada, reemplácela con una rejilla parachispas nueva que puede comprar en su Centro de Servicio Sears más cercano.

# MANTENIMIENTO

## CÓMO LIMPIAR LOS FILTROS DE AIRE

Algunos motores tienen dos filtros, un **filtro de goma espuma** exterior alrededor de un **filtro de papel** interno. Limpie los filtros de aire después de cada 50 horas de funcionamiento. Si Ud. opera la máquina en condiciones donde hay mucha suciedad o polvo, limpie los filtros más frecuentemente.

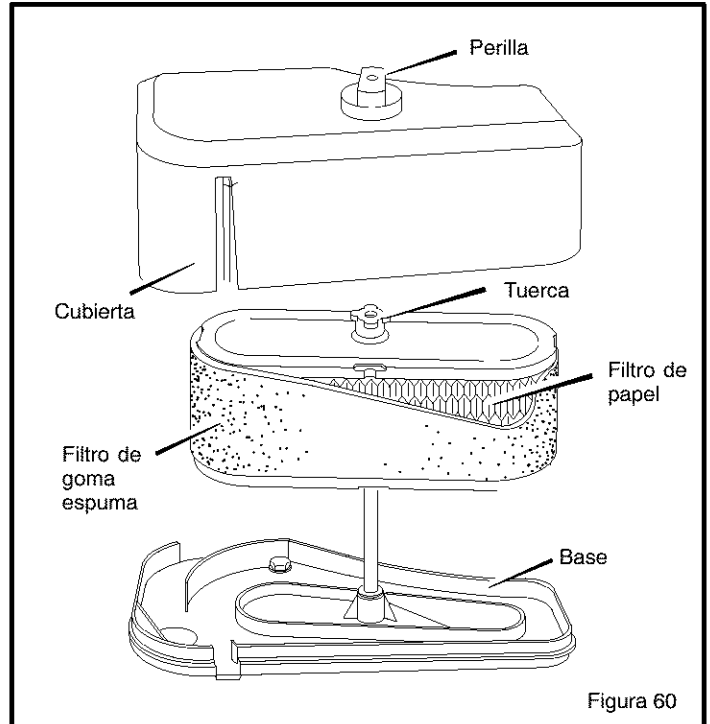
**NOTA:** Nunca ponga en marcha un motor sin los filtros de aire. Los filtros de aire ayudarán a proteger el motor contra el deterioro. Para el tamaño de un filtro de repuesto, consulte la lista de partes para el motor.

1. Quite la **perilla** de la **cubierta** (Figura 60).
2. Retire la **cubierta** del limpiador de aire.
3. Quite la **tuerca** de los filtros.
4. Retire los filtros de aire.
5. Limpie la parte interior de la **base** y la **cubierta** con una tela.
6. Separe el **filtro de goma espuma** del **filtro de papel**.
7. Si está equipado, el **filtro de goma espuma** debe ser lavado en una solución de detergente y agua. Para escurrir la solución de agua, enrolle apretadamente el **filtro de goma espuma** en un paño seco. Retire el **filtro de goma espuma** del paño. Séquelo completamente.

**PRECAUCIÓN:** No lave los filtros con gasolina u otros solventes inflamables.

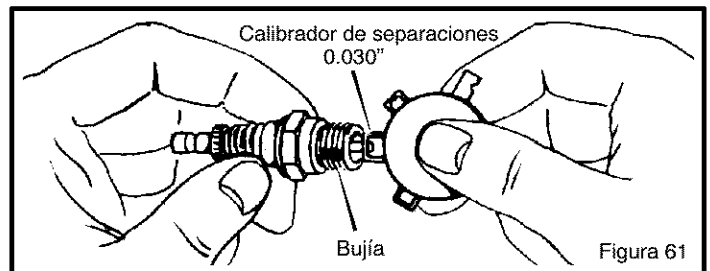
8. Aplique aceite 30W SAE uniformemente al **filtro de goma espuma** seco.
9. Para limpiar el **filtro de papel**, golpee ligeramente el **filtro de papel** contra una superficie dura y plana.

10. Si el **filtro de papel** está muy sucio, reemplácelo.
11. Ensamble los filtros de aire con la **tuerca**.
12. Instale la **cubierta**. Conecte la **cubierta** con la **perilla**.



## CÓMO REVISAR LA BUJÍA

1. Revise la separación de la **bujía** con un **calibrador de separaciones** (Figura 61). La separación correcta es de **0,030"**.
2. Para un arranque fácil y buen rendimiento, reemplace la **bujía** cada dos años.



# SERVICIO Y AJUSTE

## CÓMO AJUSTAR EL CONTROL DE ACELERACIÓN REMOTO

Para obtener un rendimiento óptimo del motor, ajuste el control de aceleración remoto de la siguiente manera.

1. Mueva la palanca del **control de aceleración remoto** a la posición RÁPIDO (Figura 62).
2. El orificio de la **palanca de control del regulador** (ubicada inmediatamente debajo de la placa de control del regulador) debe alinearse con el **orificio de la placa de control del regulador** (Figura 63).
3. Si estos dos orificios no quedan alineados, afloje el **tornillo de la abrazadera** y mueva la **unidad de control del regulador** hasta conseguir que los dos orificios queden alineados.
4. Apriete el **tornillo de la abrazadera**.
5. Revise la operación del obturador. Mueva la palanca de control de aceleración a la posición PARADA.
6. La **palanca de control del regulador** debe hacer buen contacto con el **interruptor de parada** (si la unidad lo tiene). Vuelva a ajustar si es necesario.

**IMPORTANTE:** No cambie el ajuste del regulador del motor. Si piensa que necesita un ajuste, vaya al Centro de servicio Sears más cercano. Los técnicos cuentan con el equipo y la experiencia para hacer el ajuste.

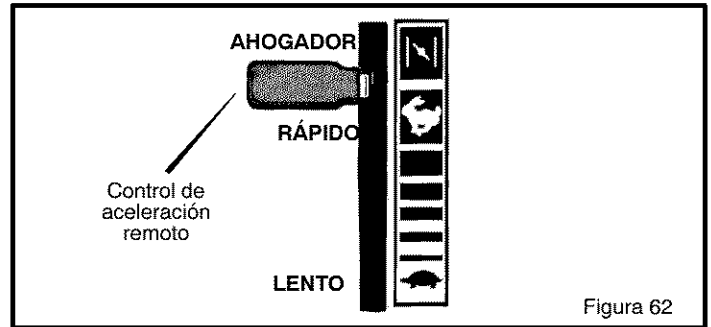


Figura 62

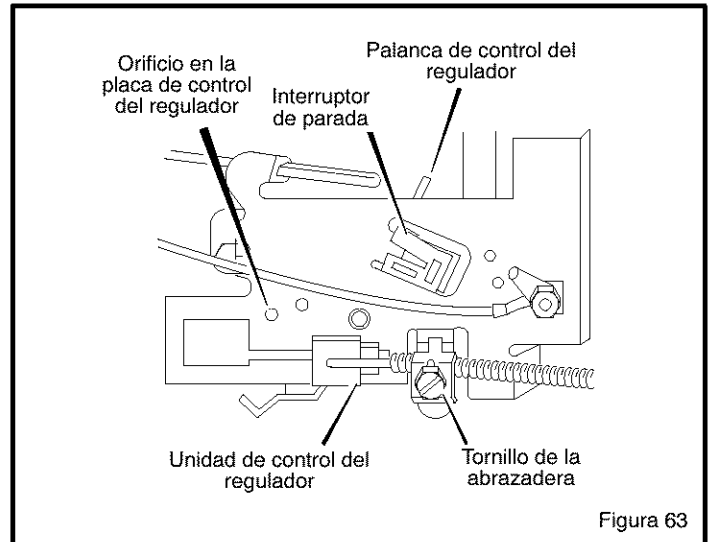


Figura 63

## CÓMO AJUSTAR EL CARBURADOR

Debido a las diferencias del combustible, la temperatura, la altitud o la carga el carburador podría requerir algún ajuste menor. El filtro de aire y su cubierta deben estar instalados en el carburador antes de hacer arrancar el motor.

El carburador en el motor está equipado con una válvula de mezcla en vacío que cuenta con un limitador (ver el dibujo), esta válvula permite algunos ajustes menores, y un tornillo de ajuste de marcha en vacío.

1. Para ajustar la marcha en vacío, arranque el motor y déjelo calentarse por unos 5 minutos.
2. Con el motor en marcha, coloque la palanca de **control de aceleración remota** en la posición LENTO (Figura 62).
3. Gire la **palanca de control de aceleración** del carburador contra el **tornillo velocidad en vacío** y manténgalo así (Figura 64). Luego, gire el **tornillo velocidad en vacío** para obtener 1750 rpm (use un tacómetro).
4. Gire la **válvula de mezcla en vacío** una vuelta completa hacia la derecha y luego hacia la izquierda.

**NOTA:** NO quite la tapa del limitador. NO la fuerce más allá de su límite.

5. Luego, fije la **válvula de mezcla en vacío** en la mitad de la vuelta.

6. Mueva el **control de aceleración remoto** a la posición RÁPIDO. El motor debe acelerar suavemente. Si no lo hace, ajuste la **válvula de mezcla en vacío** un octavo (1/8) de vuelta hacia la izquierda.

**NOTA:** Los motores que se operan entre unos 3000 a 5000 pies (900 a 1500 metros) sobre el nivel del mar pueden requerir una **boquilla surtidora de altitud** para el carburador. Si observa un funcionamiento irregular, consulte con un Centro de servicio Sears para obtener información acerca del costo de instalar o comprar una **boquilla surtidora de altitud** para el carburador.

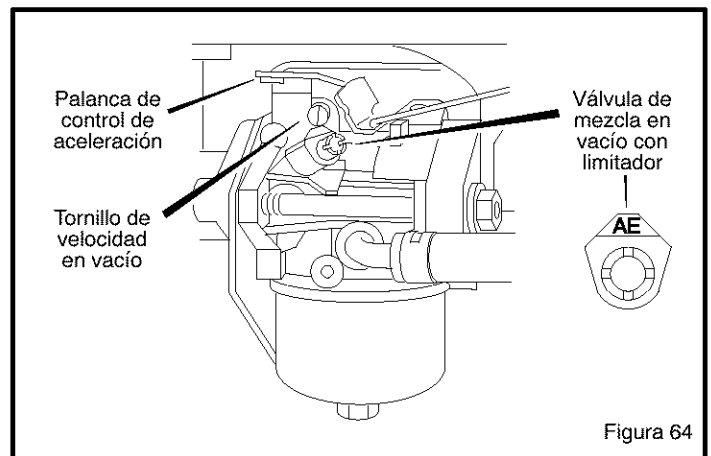


Figura 64



# SERVICIO Y AJUSTE

## CÓMO NIVELAR EL CÁRTER

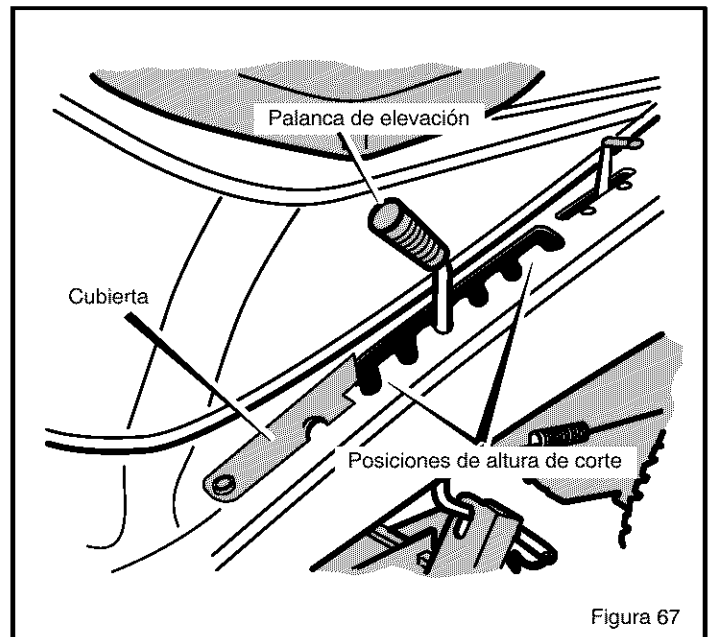
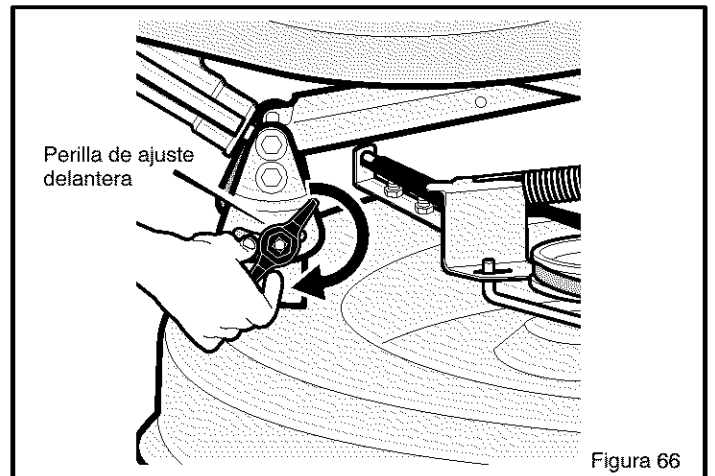
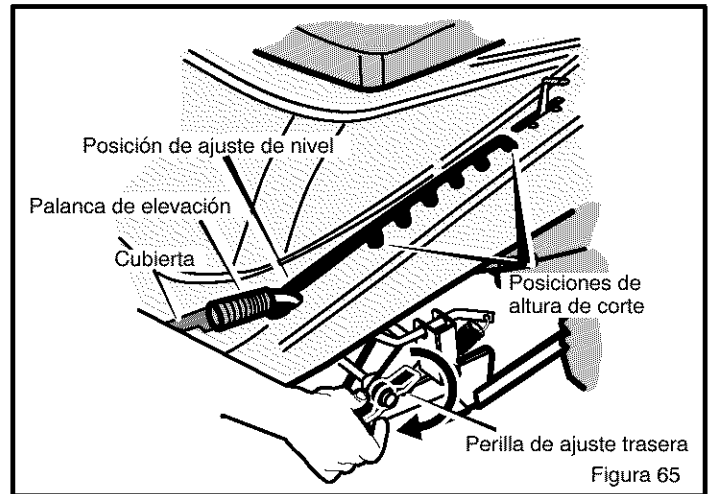
Para que la cuchilla corte con facilidad y el césped tenga mejor aspecto es necesario que el cárter del cortacésped esté nivelado.



**ADVERTENCIA.** Antes de inspeccionar, ajustar o reparar la unidad, desconecte el cable de la bujía. Esto se hace para evitar que el motor arranque por accidente.

1. Estacione la unidad sobre una superficie plana.
2. Revise la presión de los neumáticos. Si es incorrecta, el cárter no cortará de manera uniforme. Los neumáticos tienen que estar inflados con: Neumáticos delanteros 22 PSI (1,5 BAR), Neumáticos traseros 14 PSI. (1 BAR).
3. Abra la **cubierta** (Figura 65).
4. Ponga la **palanca de elevación** en la posición de AJUSTE DE NIVEL (Figura 65).
5. Afloje la **perilla de ajuste** trasera y delantera (Figura 24 y Figura 66). Verifique que ambos lados del cárter estén sobre una superficie nivelada. Los eslabones de elevación y las placas de ajuste tienen que estar sueltos para que se puedan mover con facilidad de arriba para abajo.
6. Apriete la **perilla de ajuste** delantera y trasera. Apriéte las bien. Puede usar una llave si es necesario. Cuando las **perillas de ajuste** sean de plástico, apriéte las a un par de torsión de 7 pies-libra (9,5 N-m). Cuando las **perillas de ajuste** sean de metal, apriéte las a un par de torsión de 10 pies-libra (13,5 N-m).
7. Levante la **palanca de elevación** desde la posición de AJUSTE DE NIVEL hasta la posición de ALTURA DE CORTE (Figura 67).
8. Cierre la **cubierta**.
9. Corte un tramo corto del césped. Si la altura de corte no es uniforme, repita los pasos anteriores.

**PRECAUCIÓN:** No opere la unidad con el cárter en la posición de AJUSTE DE NIVEL. Si lo hace, el cárter y las cuchillas del cortacésped pueden resultar dañados.



# SERVICIO Y AJUSTE

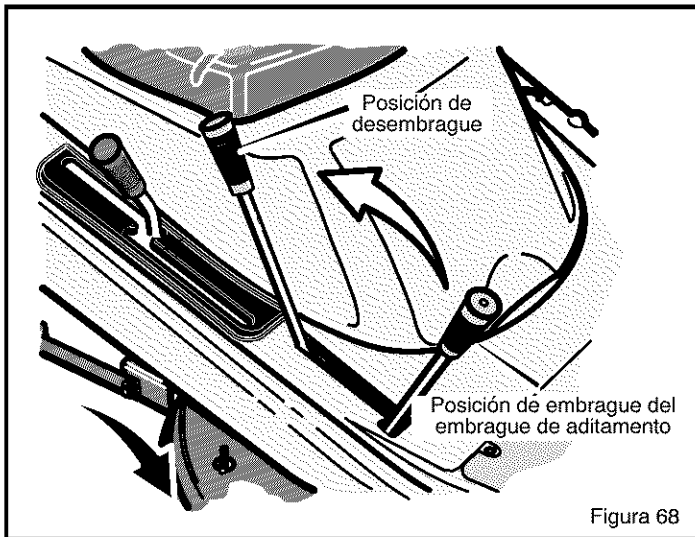
## CÓMO AJUSTAR EL EMBRAGUE DE ADITAMENTO



**ADVERTENCIA:** El embrague de aditamento tiene que funcionar correctamente para evitar lesiones.

En condiciones normales de uso, no necesitará ajustar el **embrague de aditamento**. Sin embargo, si el cortacésped empieza a funcionar mal y la calidad del corte no es buena, puede hacer lo siguiente.

1. Siempre que vaya a segar el césped, el control de gases tiene que estar en la posición RÁPIDO.
2. Ponga el **embrague de aditamento** en la **posición de DESEMBRAGUE** (Figura 68).
3. Detenga el motor. Desconecte el cable de la bujía.

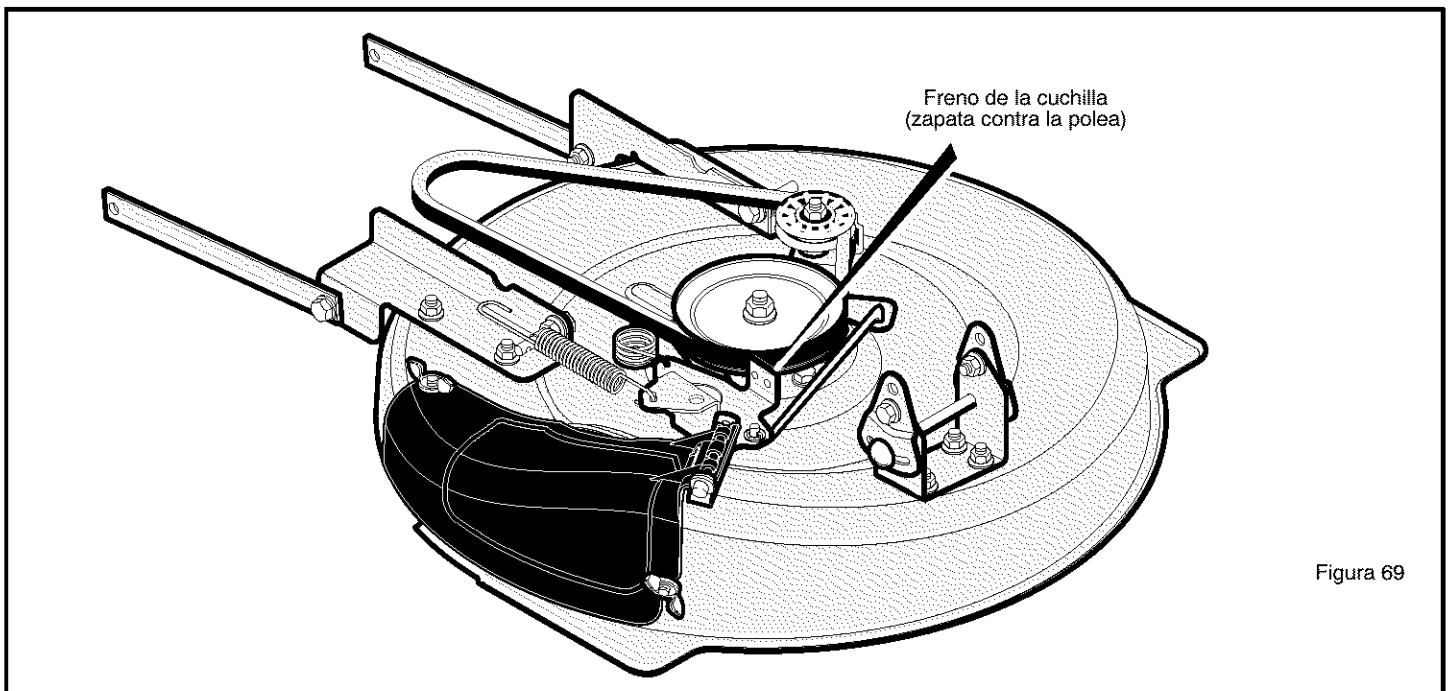


4. Revise las cuchillas. Asegúrese de que estén bien afiladas. Si no lo están, las puntas del césped se secarán.
5. Si aún así el corte no mejora, cambie la **correa de transmisión**. Consulte "Cómo cambiar la correa de transmisión del cortacésped". Si esto no corrige el problema, lleve la unidad a un Centro de Servicio Sears u otro centro de servicio cualificado.
6. Ponga el **embrague de aditamento** en la **posición de DESEMBRAGUE**. Detenga el motor. Desconecte el cable de la bujía.
7. Revise el **freno de la cuchilla**. Gire la polea con la mano. La **zapata del freno** tiene que estar presionada a fondo contra la polea (Figura 69).



**ADVERTENCIA:** Si la zapata del freno no está presionada a fondo contra la polea, lleve la unidad a un Centro de Servicio Sears u otro centro de servicio cualificado.

8. Ponga el **embrague de aditamento** en la **posición de EMBRAGUE**.
9. Revise la zapata del **freno de la cuchilla**. Si está demasiado desgastada o estropeada, cambie los ensamblajes de la **zapata**. Encontrará las piezas de repuesto correctas y la asistencia que necesite en un Centro de Servicio Sears.
10. Conecte el cable a la bujía. Siegue un trozo pequeño y vuelva a comprobar el funcionamiento del **embrague de aditamento**.
11. Cuando ponga el **embrague de aditamento** en la **posición de DESEMBRAGUE**, todo se debería parar en unos cinco segundos. Si la correa o las cuchillas siguen girando y la **correa de transmisión** es nueva, embrague y desembrague el **embrague de aditamento** cinco veces para eliminar el exceso de caucho. Si necesita asistencia, lleve el cortacésped a un Centro de Servicio Sears u otro centro de servicio cualificado.

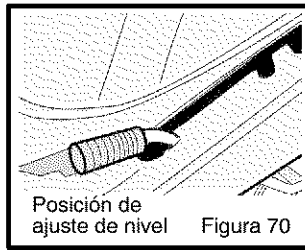


# SERVICIO Y AJUSTE

## CÓMO DESMONTAR EL CÁRTER

1. Mueva el embrague de aditamento a la posición de DESEMBRAGUE.
2. Coloque la **palanca de elevación** en la posición de ajuste de nivel (Figura 70).

**NOTA:** La palanca de elevación tiene que estar bloqueada en la posición de AJUSTE DE NIVEL.



3. Quite los pasadores abiertos y las arandelas de las **mordazas traseras** (Figura 71). Vea las ilustraciones C y D.
4. Quite los pasadores abiertos y las arandelas de los **eslabones de suspensión**. Vea las ilustraciones A y B.
5. Desconecte el **resorte de extensión** de la **varilla de control de la cuchilla**. Vea la ilustración E.
6. Desconecte la **silleta delantera** del soporte del armazón. Vea la ilustración F.
7. Separe la **correa de transmisión del cortacésped** de la **polea doble**. Vea la ilustración G.
8. Saque el cárter desde el lado derecho de la unidad.
9. Si usa la unidad sin el cárter, mueva la palanca de elevación a la posición MÁS ALTA.

## CÓMO INSTALAR EL CÁRTER

1. Empuje el cárter por debajo del lado derecho de la unidad.
2. Ponga la **correa de transmisión** alrededor de la **polea doble**. El lado en forma de "V" de la **correa de transmisión** tiene que estar en contacto con la **polea doble**. Verifique que la **correa de transmisión** no esté retorcida.
3. Conecte la **silleta delantera** al soporte del armazón con la **varilla de la silleta**. Fijela con los sujetadores como se indica. Vea la ilustración F.
4. La **correa de transmisión** tiene que estar entre la **polea doble** y las dos **guías de la correa**. Vea la ilustración G.
5. Conecte los **eslabones de suspensión** con el **ensamblado del elevador**. Sujételos con las arandelas y los pasadores abiertos. Vea las ilustraciones A y B.
6. Conecte las **mordazas traseras** a los soportes de suspensión. Sujételas con las arandelas y los pasadores abiertos. Vea las ilustraciones C y D.
7. Conecte el **resorte de extensión** a la **varilla de control de la cuchilla**. Vea la ilustración E.
8. Mueva el **embrague de aditamento** a la posición de DESEMBRAGUE. La **correa de transmisión** tiene que quedar dentro de las **guías** y por debajo del **tubo separador**.
9. Verifique que el cárter esté nivelado. Consulte "Cómo nivelar el cárter".
10. Compruebe el funcionamiento del **embrague de aditamento**. Consulte "Cómo ajustar el embrague de aditamentos".

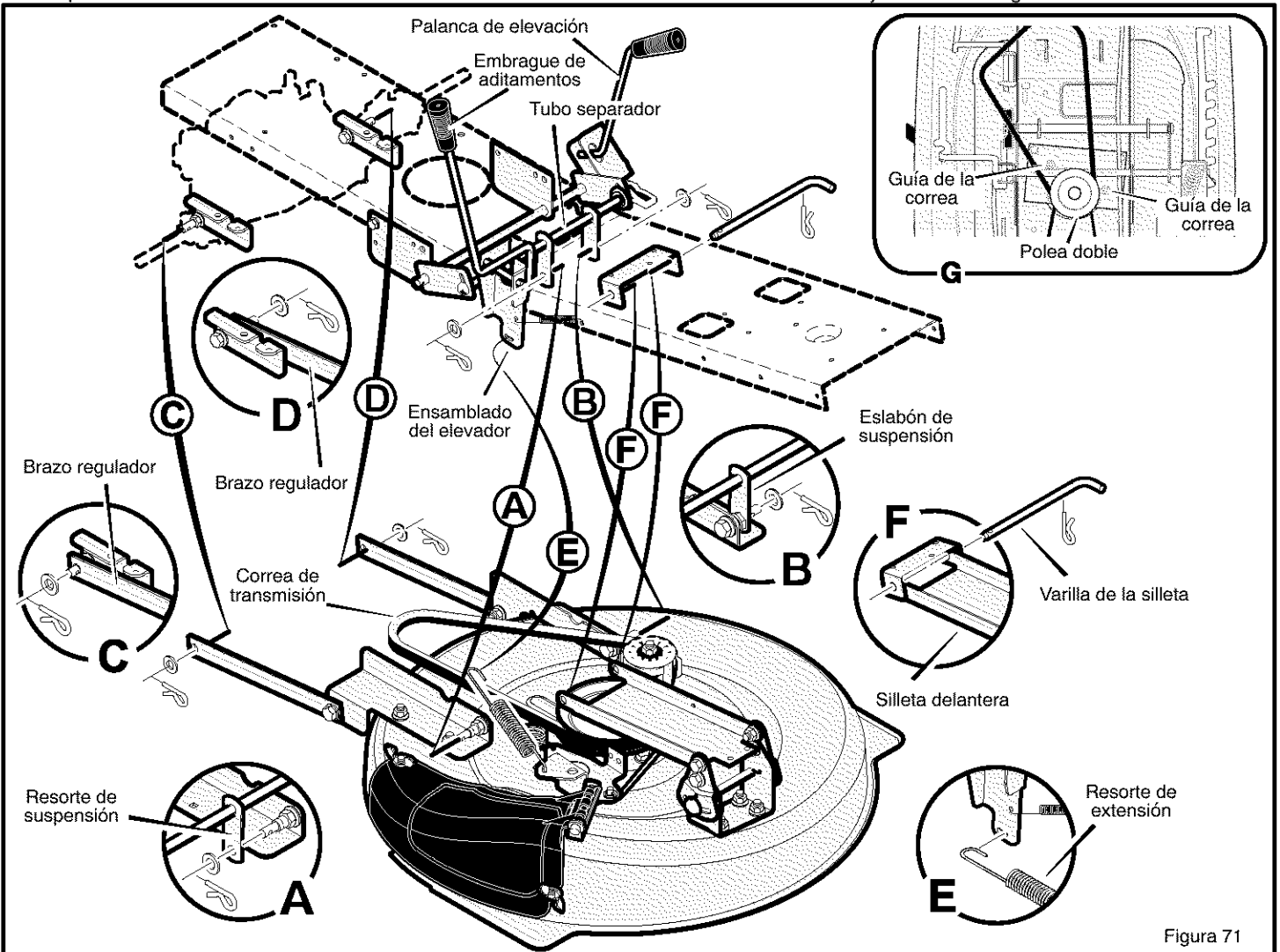
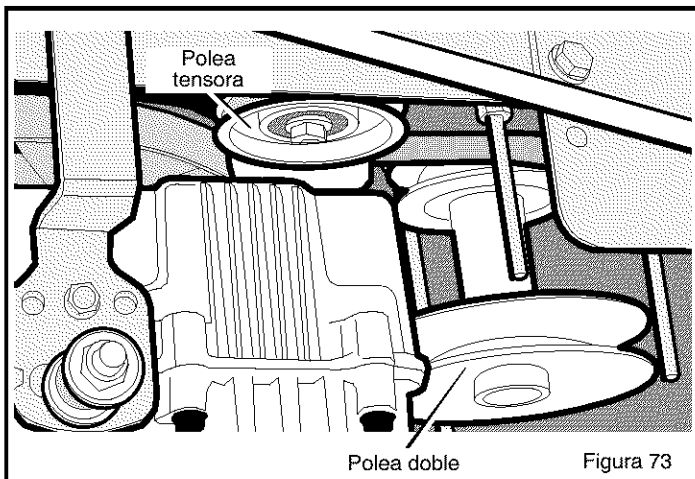
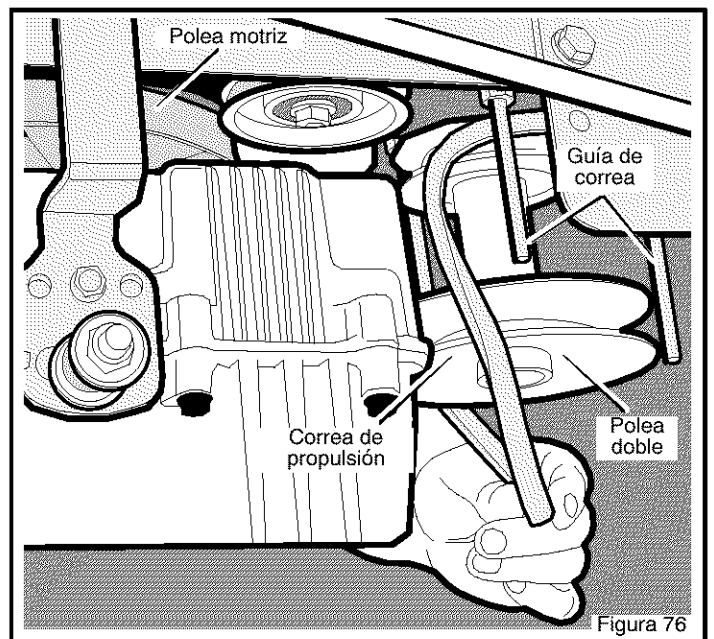
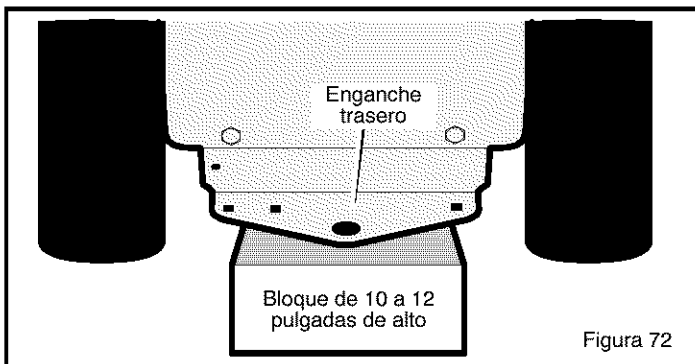
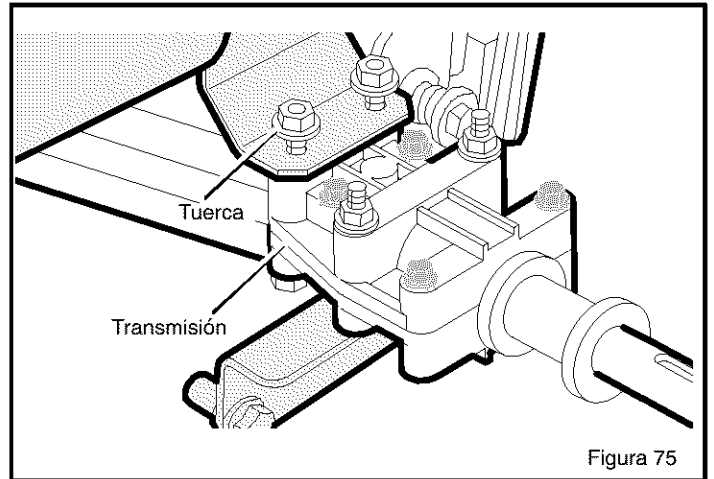
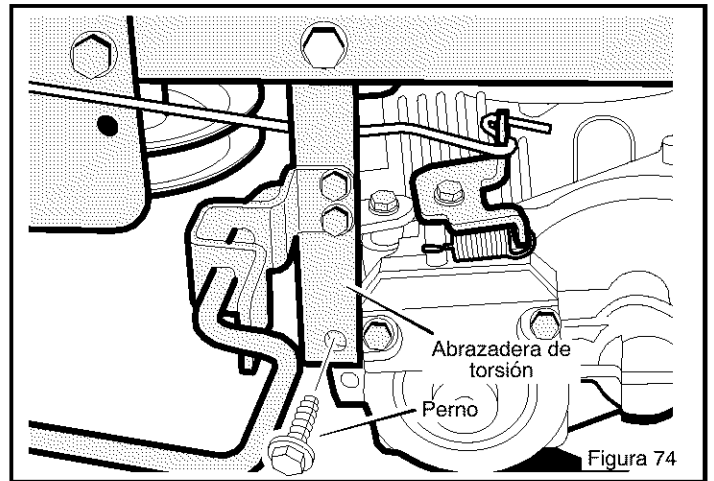


Figura 71

## CÓMO REEMPLAZAR LAS CORREA DE PROPULSIÓN

### REMOCIÓN DE LA CORREA DE PROPULSIÓN DEL MOTOR

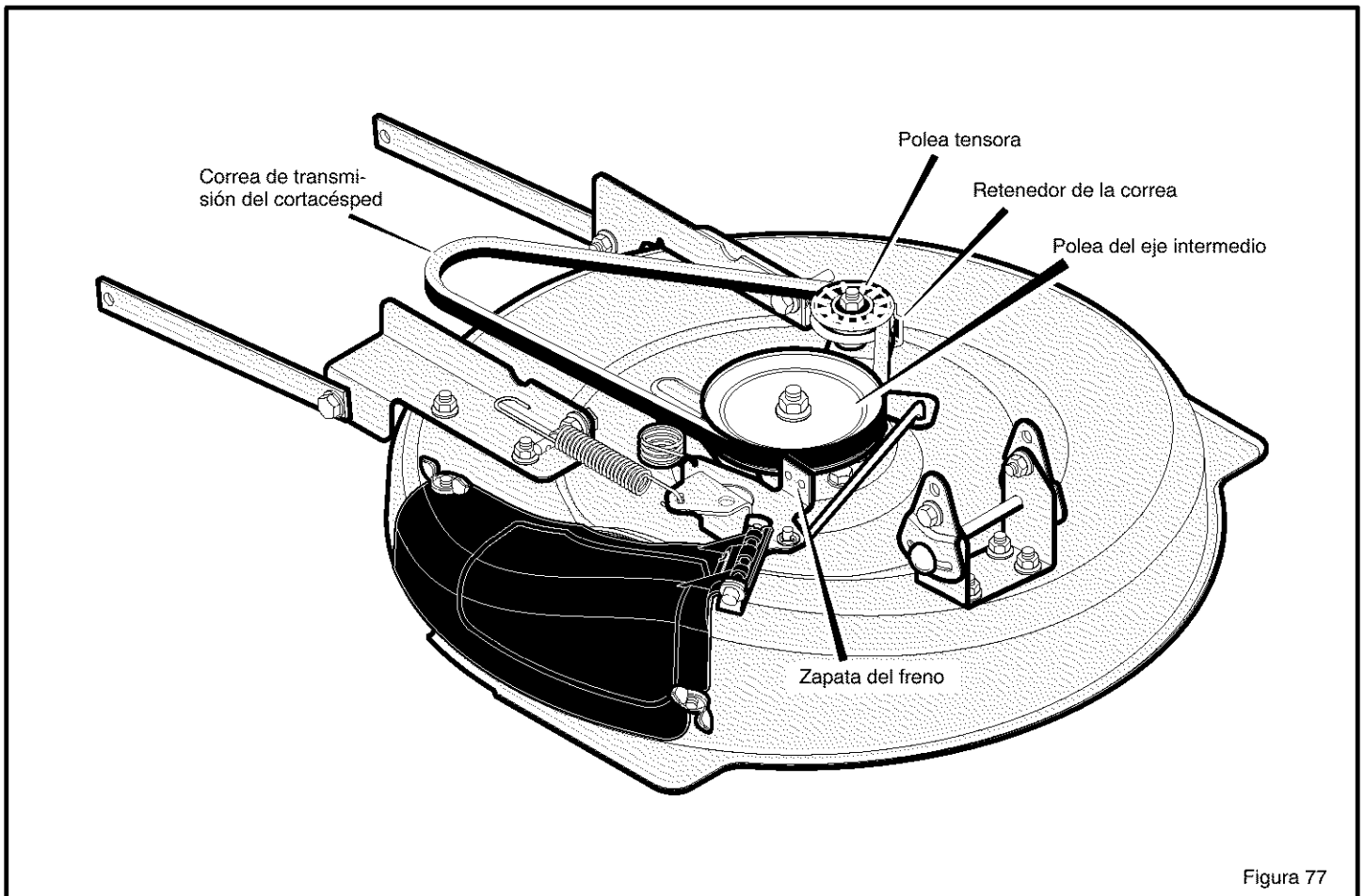
1. Desmonte el cárter del cortacésped. Consulte las instrucciones en la sección "Cómo desmontar el cárter del cortacésped".
2. Coloque el **enganche trasero** sobre un **bloque de 10 a 12 pulgadas**. El bloque debe ser suficientemente alto para levantar las ruedas traseras del suelo (Figura 72).
3. Saque las ruedas traseras.
4. Saque la **polea tensora** (Figura 73).
5. Retire la **perno** de la **abrazadera de torsión** (Figura 74).
6. Afloje las **tuercas** de cada lado de la **transmisión** (Figura 75). No saque las **tuercas**. Aflojelas hasta que las **tuercas** queden en la parte de arriba de los **pernos**.
7. Deslice la parte posterior de la **correa de propulsión** por encima de la **polea motriz** y que salga por delante de la transmisión. Luego, jale la **correa de propulsión** hacia abajo entre las **guías de correa** y la **polea doble** (Figura 76).
8. Para instalar, invierta los pasos anteriores.
9. Instale el cárter del cortacésped. Consulte las instrucciones en "Cómo instalar el cárter del cortacésped".
10. Revise la operación del sistema de transmisión. Consulte "Cómo revisar y ajustar el embrague" y también "Cómo ajustar la palanca de control de velocidades".



# SERVICIO Y AJUSTE

## CÓMO CAMBIAR LA CORREA DE TRANSMISIÓN DEL CORTACÉSPED

1. Desmonte el cárter del cortacésped. Consulte "Cómo desmontar el cárter".
2. Separe el **retenedor de la correa** de la **polea tensora** y saque la **correa de transmisión** (Figura 77).
3. Separe la **zapata del freno** de la **polea del eje intermedio** y saque la **correa de transmisión del cortacésped**.  
**NOTA. Reemplace la correa de transmisión con una correa original adquirida en un Centro de Servicio Sears.**
4. Instale la **correa de transmisión** nueva. Separe la **zapata del freno** de la **polea del eje intermedio**. Coloque la **correa de transmisión** alrededor de la **polea del eje intermedio**.
5. Separe el **retenedor de la correa** de la **polea tensora**. Coloque la **correa de transmisión** alrededor de la **polea tensora**.
6. El lado en forma de "V" de la **correa de transmisión** tiene que tocar la **polea del eje intermedio** y la **polea tensora**.
7. Instale el cárter del cortacésped. Consulte "Cómo instalar el cárter".
8. Antes de empezar a cortar el césped, revise el ajuste del embrague de aditamentos. Consulte "Cómo ajustar el embrague de aditamentos".



# SERVICIO Y AJUSTE

## CÓMO AJUSTAR LA PALANCA DE CONTROL DE VELOCIDADES



**ADVERTENCIA:** Antes de inspeccionar, ajustar o reparar la unidad, desconecte el cable de la bujía. Esto se hace para evitar que el motor arranque por accidente.

Puede ser necesario un ajuste de la palanca de control de velocidades si la correa de transmisión se gasta o después de instalar una correa de transmisión nueva. Cuando la palanca de control de velocidades se mueve a la posición NEUTRO, la unidad debe detenerse por completo. Si la unidad no se detiene completamente, realice los ajuste de la manera siguiente.

1. Mueva la palanca de control de velocidades a la posición NEUTRO.
2. Retire la **chaveta** de la tuerca ajustable (Figura 78).
3. Desconecte la **tuerca ajustable** del brazo accionador hidrostático.
4. Si la unidad avanzaba lentamente cuando la palanca de control de velocidades estaba en la posición NEUTRO, entonces gire la tuerca ajustable hacia la derecha (hacia adelante, una o dos vueltas. Esto **acortará** la longitud de la **varilla de control de velocidad**.

5. Si la unidad se movía lentamente hacia atrás cuando la palanca de control de velocidades estaba en la posición NEUTRO, entonces gire la **tuerca ajustable** hacia la izquierda (hacia atrás), una o dos vueltas. Esto **alargará** la longitud de la **varilla de control de velocidad**.
6. Monte la **tuerca ajustable** al **brazo accionador hidrostático** y fíjela con con la **chaveta**.
7. Encienda el motor, y dé una vuelta de prueba con la unidad. Asegúrese de que la unidad se detenga completamente cuando se coloca la palanca de control de velocidades en la posición NEUTRO.

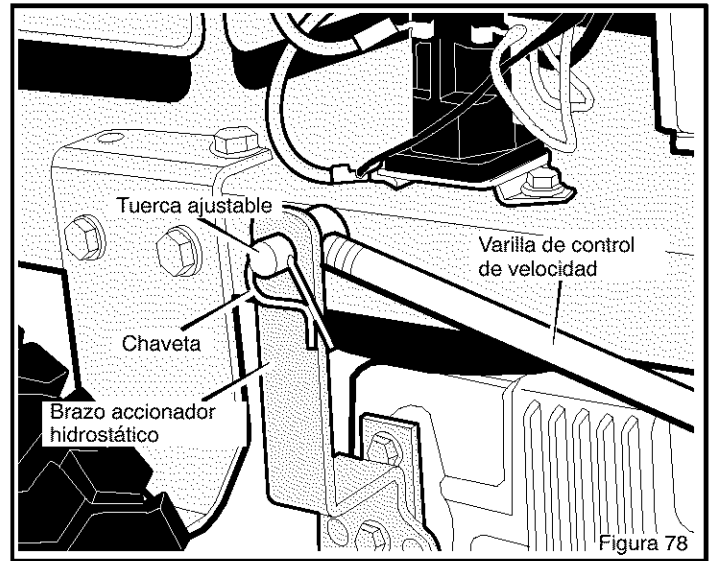


Figura 78

## CÓMO REVISAR Y AJUSTAR EL EMBRAGUE

Si la correa de transmisión está suelta, el embrague patinará cuando; (1) suba una cuesta, (2) remolque una carga pesada o (3) la unidad no avanzará. Ajuste el embrague de la manera siguiente.



**ADVERTENCIA:** Antes de inspeccionar, ajustar o reparar la unidad, desconecte el cable de la bujía. Esto se hace para evitar que el motor arranque por accidente.

1. Retire la chaveta y la arandela de la **tuerca ajustable** (Figura 79).
2. Gire la **tuerca ajustable** hacia la derecha (hacia adelante) para incrementar el movimiento del pedal y apretar la correa.
3. Monte la **tuerca ajustable** y fíjela con la **arandela** y la **chaveta**.
4. Encienda el motor y dé una vuelta de prueba a la unidad. Asegúrese de que ni el embrague ni la correa patinen.
5. Si la correa sigue deslizándose después de haber ajustado el embrague, significa que está desgastada o estropeada y tendrá que cambiarla. Consulte "Cómo reemplazar las correas de propulsión".

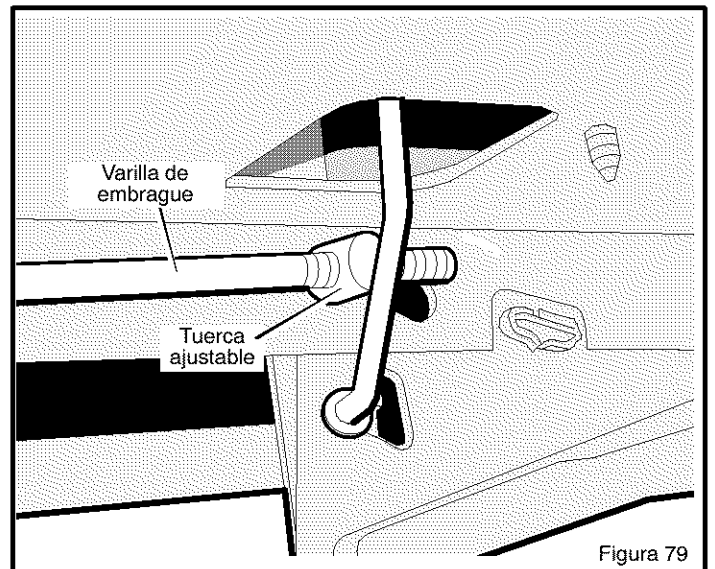


Figura 79

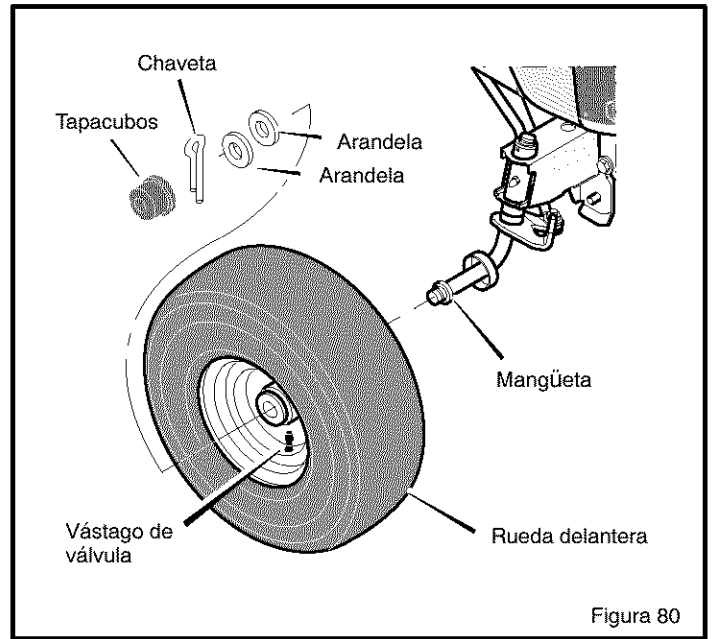
# SERVICIO Y AJUSTE

## CÓMO INSTALAR LAS RUEDAS

Si necesita sacar las ruedas, vuelva a instalarlas de la siguiente manera.

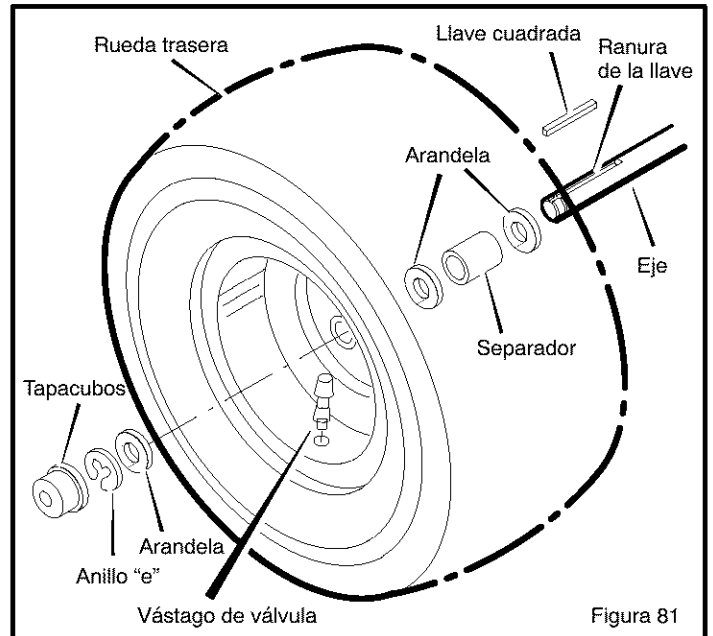
### Rueda delantera

1. El **vástago de válvula** tiene que quedar hacia la parte exterior del tractor. Deslice la **rueda delantera** en la **mangüeta**. (Figura 80).
2. Sujete la **rueda delantera** con la **arandela** y la **chaveta**. Separe los extremos de la **chaveta** para sujetar la **rueda** a la **mangüeta**.
3. Si el modelo lleva **tapacubos**, no deje de instalarlos. Verifique que la **arandela** está sujetándolos en su sitio.



### Rueda trasera

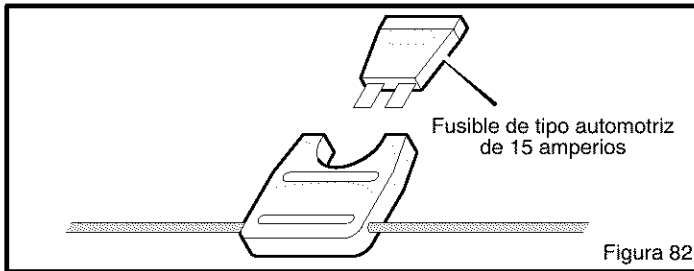
1. Instale las **arandelas** y el **separador** en el **eje** como se muestra en la Figura 81.
2. Monte la **llave cuadrada** en la **ranura de la llave** (Figura 81).
3. El **vástago de válvula** tiene que quedar en la parte exterior del tractor. Alinee la ranura de la **rueda trasera** con la **llave cuadrada**. Deslice la **rueda trasera** en el **eje**.
4. Sujete la **rueda trasera** con la **arandela** y el **anillo "e"**.
5. Si el modelo lleva **tapacubos**, no deje de instalarlos. Verifique que la **arandela** está sujetándolos en su sitio.



# SERVICIO Y AJUSTE

## CÓMO REEMPLAZAR EL FUSIBLE

Si el fusible está fundido, no se encenderá el motor. La ubicación del fusible está al lado de la batería. Quite el fusible y reemplácelo con un fusible de tipo automotriz de 15 amperios (Figura 82).



## CÓMO LIMPIAR EL CÁRTER DE LA CORTADORA DE CÉSPED



**ADVERTENCIA:** Antes de limpiar el cárter del cortacésped, pare el motor y desconecte el cable a la bujía.

La hierba y otros escombros encima del cárter del cortacésped pueden impedir el funcionamiento correcto de la correa. Para seguridad y operación correcta, limpie la parte superior del cárter con frecuencia. Quite la hierba y los escombros de las poleas y de otras partes móviles.

1. Mueva la palanca para el embrague de aditamentos a la posición de EMBRAGUE.
2. Limpie la parte superior del cárter.
3. Mueva la palanca del embrague de aditamentos a la posición de DESEMBRAGUE.
4. Limpie de nuevo la parte superior del cárter.
5. Después de cortar el césped, limpie la parte inferior del cárter.

## ALINEACIÓN DE LAS RUEDAS DELANTERAS

No se puede ajustar la alineación de las ruedas delanteras. Si el mecanismo de dirección está dañado y ha cambiado la alineación, lleve la unidad a su Centro de Servicio Sears más cercano.

## ALMACENAMIENTO (por más de 30 días)

Al final de cada año, prepare la unidad para almacenamiento de la siguiente manera.

## INSPECCIÓN GENERAL

1. Inspeccione las correas. Si están dañadas o gastadas, reemplácelas con piezas de repuesto de fábrica. Consulte las instrucciones sobre los repuestos de correas en la sección de Servicio y Ajuste.
2. Asegúrese que todas las tuercas, los pernos, y los tornillos estén bien apretados. Inspeccione las partes móviles para ver si están dañadas, si tienen grietas, o si están gastadas. Reemplácelas según sea necesario.

## CÁRTER DEL CORTACÉSPED

1. Limpie el cárter del cortacésped. Consulte "Cómo limpiar el cárter del cortacésped".

## LUBRICACIÓN DE LA UNIDAD

Vea las instrucciones sobre "Dónde lubricar" en la sección de Mantenimiento.

## MOTOR

1. Limpie la tierra y la hierba del motor.
2. Cambie el aceite. Consulte las instrucciones sobre "Cómo cambiar el aceite".
3. Examine el filtro de aire. Consulte las instrucciones sobre "Cómo limpiar el sistema de enfriamiento".
4. Inspeccione la bujía. Consulte las instrucciones sobre "Cómo revisar la bujía".

## SISTEMA DE ALIMENTACIÓN DE COMBUSTIBLE



**ADVERTENCIA:** No drene la gasolina de la cortadora dentro de un edificio ni cerca de un fuego. No fume porque los vapores del combustible podrían causar una explosión.

Durante el almacenaje de la unidad, es importante prevenir la formación de depósitos de resinas en partes esenciales del sistema de combustible tales como el carburador, el filtro de combustible, el conducto o el tanque de combustible. Además, es importante saber que los combustibles mezclados con alcohol (llamados gasohol o aquellos que contienen etanol o metanol) pueden atraer humedad que puede producir la separación y la formación de ácidos durante el almacenaje de la unidad. El combustible que contiene ácidos puede dañar el sistema de combustible de un motor mientras se encuentra almacenado.

**NOTA:** Un estabilizador de combustible (como STA-BIL) es una alternativa aceptable para reducir la formación de resinas en el tanque de combustible y el recipiente para guardar gasolina. Siempre respete las proporciones indicadas en el recipiente del estabilizador. Deje el motor en marcha durante por lo menos 10 minutos después de agregar el estabilizador para permitir que el estabilizador llegue al carburador. No drene el tanque de combustible y el carburador si se utiliza estabilizador.

Si no utiliza un estabilizador, haga lo siguiente:

1. Encienda el motor.
2. Deje el motor en marcha hasta que el tanque de combustible y el carburador no tengan combustible y el motor se apague.
3. No deje combustible en el tanque de combustible o en el carburador. El combustible puede dañar la función del sistema de alimentación de combustible.
4. Después del almacenamiento, asegúrese de utilizar combustible fresco.

## BATERIA

1. Retire la batería.
2. Limpie cualquier depósito en los bornes de la batería.
3. Cargue la batería. Consulte las instrucciones sobre "Cómo revisar y cargar la batería".
4. Guarde la batería en un lugar fresco y seco.

**NOTA:** Después de un largo período de almacenamiento, cargue la batería.



# TABLA DE LOCALIZACION DE AVERIAS

**PROBLEMA: El motor no se enciende.**

1. Siga los pasos de "Cómo encender el motor" en este manual.
2. Limpie los bornes de la batería. Apriete los cables.
3. Revise si hay un cable flojo. Apriete los interruptores limitadores. (Vea el diagrama de cableado.)
4. Drene el tanque de combustible. Limpie la línea de combustible. Reemplace el filtro de combustible.
5. Quite la bujía(s). Mueva el acelerador a la posición LENTO. Gire la llave de encendido a la posición ENCENDIDO. Intente encender el motor varias veces. Instale la bujía.
6. Reemplace la bujía con un repuesto nuevo.
7. Ajuste el carburador.

**PROBLEMA: El motor no da vueltas.**

1. Siga los pasos de "Cómo Encender el Motor" en este libro.
2. Verifique el nivel de ácido en la batería. Si es necesario, agregue agua. Cargue la batería.
3. Reemplace el fusible con un respuesto nuevo.
4. Inspeccione el cableado preformado para ver si tiene algún daño o una conexión floja. Repare todo cable dañado.
5. Modelos de Arranque Eléctrico: reemplace el solenoide con un repuesto nuevo. Modelos de Arranque Manual: reemplace el módulo.

**PROBLEMA: El es difícil encender el motor.**

1. Ajuste el carburador.
2. Reemplace la bujía.
3. Reemplace el filtro de combustible.

**PROBLEMA: El motor no funciona suavemente o tiene una pérdida de fuerza.**

1. Revise el aceite.
2. Limpie el filtro de aire.
3. Limpie la malla del filtro de aire.
4. Reemplace la bujía.
5. El motor está funcionando demasiado fuerte. Utilice una velocidad más baja.
6. Ajuste el carburador.
7. Reemplace el filtro de combustible.

**PROBLEMA: El motor no funciona suavemente a una velocidad alta.**

1. Reemplace la bujía.
2. Ajuste el acelerador.
3. Limpie el filtro de aire.
4. Reemplace el filtro de combustible.

**PROBLEMA: El motor se apaga cuando se hacen funcionar las cuchillas.**

1. Revise el cableado preformado para ver si tiene algún daño o una conexión floja. Repare todo cable dañado.

**PROBLEMA: Sobre cuestras, el motor se apaga.**

1. En cuestras, corte el césped en línea directa hacia arriba y hacia abajo. Nunca corte el césped a través de una cuestra.

**PROBLEMA: El motor no funciona en vacío.**

1. Reemplace la bujía.
2. Limpie el filtro de aire.
3. Ajuste el carburador.

4. Ajuste el acelerador.

5. Drene el tanque de combustible. Limpie la línea de combustible. Reemplace el filtro de combustible.

**PROBLEMA: Un motor caliente causa una disminución de fuerza.**

1. Limpie la malla del filtro de aire.
2. Revise el aceite.
3. Ajuste el carburador.
4. Reemplace el filtro de combustible.

**PROBLEMA: Vibración excesiva.**

1. Reemplace la cuchilla.
2. Verifique si hay pernos del motor que están flojos.
3. Disminuya la presión de aire en los neumáticos.
4. Ajuste el carburador.
5. Verifique si existe una correa dañada o una polea dañada. Reemplace las piezas dañadas.

**PROBLEMA: El césped no se descarga correctamente.**

1. Apague el motor. Limpie el cárter de la cortadora.
2. Suba la altura de corte.
3. Reemplace o afile las cuchillas.
4. Mueva la palanca de cambios a una velocidad más baja.
5. Mueva el acelerador a la posición de RÁPIDO.
6. Reemplace el resorte para la polea tensadora de cuchilla.

**PROBLEMA: El cárter de la cortadora no corta a nivel.**

1. Revise la presión de aire en los neumáticos.
2. Ajuste el nivel del cárter de la cortadora.
3. Revise el eje delantero. Si el eje delantero no gira libremente, afloje los pernos del eje.

**PROBLEMA: Las cuchillas de la cortadora no rotan.**

1. Revise la correa de transmisión de la cortadora. Asegúrese de que la correa esté instalada correctamente.
2. Reemplace la correa de transmisión de la cortadora.

**PROBLEMA: La unidad no se mueve cuando se hace funcionar el embrague.**

1. Revise la correa de transmisión. Asegúrese de que la correa esté instalada correctamente.
2. Ajuste el embrague.
3. Reemplace la correa de transmisión.

**PROBLEMA: La unidad se mueve más despacio o se para cuando se engancha el embrague.**

1. Ajuste el embrague.
2. Reemplace la correa de transmisión.

**PROBLEMA: Cuando se suelta el pedal de freno/embrague, se puede oír ruido de correas.**

1. Ruido temporario de las correas no afecta el funcionamiento de la unidad. Si el ruido de las correas es continuo, examine el enrutamiento de la correa. Asegúrese de que la correa esté dentro de todas las guías de correas.
2. Si el ruido es continuo, ajuste el embrague.

**PROBLEMA: Las ruedas traseras resbalan sobre terreno desnivelado.**

1. Revise el eje delantero. Si el eje delantero no gira libremente, afloje los pernos del eje.

**SEARS, ROEBUCK AND CO.**  
**Garantía limitada de cumplimiento con el Sistema Federal  
de control de emisiones y con el sistema de control de  
emisiones del Estado de California**  
**Motores pequeños no aptos para carretera (off-road)**

**CONTROL DE EMISIONES DE CALIFORNIA Y DE LA  
AGENCIA DE PROTECCIÓN AMBIENTAL (EPA) DE E.U.A. –  
DECLARACIÓN DE GARANTÍA**

La Agencia de Protección Ambiental de los Estados Unidos (en lo sucesivo "EPA"), el Consejo de California para los Recursos del Aire (en lo sucesivo "CARB") y Sears, Roebuck and Co. tienen el placer de explicar lo que es la Garantía Federal y de California para Sistemas de Control de Emisiones de su nuevo motor pequeño para vehículos off-road. En California, los motores pequeños para vehículos off-road de modelo 1995 y modelos de años posteriores deben ser diseñados, construidos y equipados para cumplir con las estrictas normas anti contaminación del Estado. En otros estados, los motores modelo 1997 y modelos de años posteriores deben estar diseñados, construidos y equipados, al momento de su venta, para que cumplan con las disposiciones de la EPA acerca de motores pequeños para vehículos off-road. Sears, Roebuck and Co. garantizará el sistema para el control de emisiones de su motor pequeño para vehículos off-road por los periodos de tiempo que se mencionan más adelante, con tal que su motor pequeño para vehículos off-road no haya sufrido algún abuso, negligencia, modificación no aprobada o mantenimiento indebido.

Es probable que su sistema para el control de emisiones incluya partes como el carburador, el sistema de encendido y el sistema de escape. También es posible que se incluya el sistema de descompresión y otros ensamblajes relacionados con emisiones.

Cuando surja una condición protegida por la garantía, Sears, Roebuck and Co. reparará su motor pequeño para vehículos off-road sin costo alguno para usted por concepto de diagnóstico, partes y mano de obra.

**SISTEMA PARA EL CONTROL DE EMISIONES DEL  
FABRICANTE – COBERTURA DE LA GARANTÍA**

Los sistemas para el control de emisiones modelo 1995 y modelos de años posteriores de motores pequeños para vehículos off-road en California están garantizados por dos años, tal y como se menciona en la presente garantía. En otros estados, los motores modelo 1997 y modelos de años posteriores también están garantizados por dos años. En caso de que, durante dicho periodo de la garantía, cualquier parte de su motor relacionada con emisiones esté defectuosa en sus materiales o hechura, Sears, Roebuck and Co. reparará o cambiará dicha parte.

**RESPONSABILIDADES DEL PROPIETARIO DE LA  
GARANTÍA**

Como propietario del motor pequeño para vehículos off-road usted es responsable de que se lleve a cabo el mantenimiento requerido que se menciona en el Manual del Propietario, pero Sears, Roebuck and Co. no negará la garantía únicamente debido a la falta de un recibo o a que usted no proporcione una prueba escrita de que se ha llevado a cabo el mantenimiento programado.

No obstante, usted, como propietario del motor pequeño para vehículos off-road, deberá estar consciente de que Sears, Roebuck and Co. le puede negar la cobertura de la garantía si su motor o alguna parte del mismo ha fallado debido a un abuso, negligencia, mantenimiento inadecuado o modificaciones no aprobadas.

Usted es responsable de presentar su motor pequeño para vehículos off-road en el Taller Autorizado de Servicio de Sears, Roebuck and Co. en cuanto surja el problema. Las reparaciones bajo la garantía deben llevarse a cabo dentro de un periodo de tiempo razonable que no exceda de 30 días.

Se puede programar el servicio de garantía llamando al Taller Autorizado de Servicio de Sears, Roebuck and Co. o a Sears, Roebuck and Co. al 1-800-473-7247 (llamada gratuita en E.U.A.).

F-030614L

**NOTA IMPORTANTE**

Esta declaración de la garantía explica los derechos y las obligaciones que usted tiene de conformidad con la Garantía del Sistema para el Control de Emisiones (en lo sucesivo la "Garantía SCE"), la cual Sears, Roebuck and Co. le proporciona de conformidad con las leyes de California. Véase también las Garantías Limitadas de Sears, Roebuck and Co. que se adjuntan a la Garantía SCE en una hoja por separado y que también le proporciona Sears, Roebuck and Co. La Garantía SCE únicamente se aplica en el sistema para el control de emisiones de su motor nuevo. Hasta el punto en donde no haya ningún conflicto en términos entre la Garantía SCE y la Garantía de Sears, Roebuck and Co., la Garantía SCE aplicará para cualquier circunstancia a excepción de aquella en que la Garantía de Sears, Roebuck and Co. pueda proporcionar un periodo de garantía más largo. La Garantía SCE y la Garantía de Sears, Roebuck and Co. describen importantes derechos y obligaciones que usted tiene con respecto a su motor nuevo.

Sólo se puede llevar a cabo el servicio de garantía en un Taller Autorizado de Servicio de Sears, Roebuck and Co. Al momento de solicitar un servicio de garantía, se debe presentar una prueba de la fecha de compra por parte del comprador original. El comprador pagará cualquier cargo por concepto de llamadas de servicio y/o transportación de productos desde y para el lugar en donde se lleve a cabo el trabajo de inspección y/o garantía. El comprador será responsable de cualquier daño o pérdida en el que se incurra con relación a la transportación de cualquier motor o cualquier parte del mismo que se presente para inspección y/o trabajo de garantía.

Si tiene alguna pregunta con relación a sus derechos y responsabilidades, deberá llamar a Sears, Roebuck and Co. al 1-800-473-7247.

**GARANTÍA DEL SISTEMA PARA EL CONTROL DE  
EMISIONES**

Garantía del Sistema para el Control de Emisiones ("Garantía SCE") de motores pequeños para vehículos off-road modelo 1995 y modelos de años posteriores en California (para otros estados, motores modelo 1997 y años posteriores):

**A. CAMPO DE APLICACIÓN:** Esta garantía deberá aplicarse a los motores pequeños para vehículos off-road modelo 1995 y modelos de años posteriores en California (para otros estados, motores modelo 1997 y modelos de años posteriores). El Periodo de la Garantía SCE iniciará en la fecha de entrega del nuevo motor o equipo al comprador original y continuará durante los siguientes 24 meses consecutivos.

**B. COBERTURA GENERAL DE LA GARANTÍA DEL SISTEMA PARA EL CONTROL DE EMISIONES:** Sears, Roebuck and Co. garantiza al comprador original del nuevo motor o equipo y a cada comprador subsecuente que su motor pequeño para vehículos off-road está:

1. Diseñado, construido y equipado para que cumpla con todas las disposiciones aplicables adoptadas por el Consejo para los Recursos del Aire de conformidad con su autoridad especificada en los Capítulos 1 y 2, Parte 5, División 26 del Código de Salud y Seguridad, y

2. Libre de defectos en sus materiales y mano de obra, los cuales, en cualquier momento durante el Periodo de la Garantía SCE, cause la falla de una parte relacionada con emisiones y que esté bajo la garantía en cuanto a que no sea idéntica en sus materiales a la parte descrita en la solicitud de motor del fabricante para su certificación.

C. La Garantía SCE sólo atañe a las partes de su motor relacionadas con emisiones de la siguiente manera:

1. Cualquier parte relacionada con emisiones que no se especifique como de cambio, tal y como se requiere en el mantenimiento especificado en el Manual del Propietario, deberá garantizarse por el Periodo de la Garantía SCE. Si dicha parte falla durante el Periodo de la Garantía SCE, Sears, Roebuck and Co. la reparará o cambiará de acuerdo con la Subsección 4 que se menciona más adelante. Cualquier parte reparada o cambiada de conformidad con la Garantía SCE deberá estar garantizada por el resto del Periodo de la misma.

2. Cualquier parte garantizada y relacionada con emisiones que esté especificada sólo para inspecciones regulares conforme al Manual del Propietario deberá estar garantizada por el Periodo de la Garantía SCE. Una declaración en dichas instrucciones por escrito a efecto de "reparar o cambiar tal y como sea necesario" no reducirá el Periodo de la Garantía SCE. Dicha parte reparada o cambiada conforme a la Garantía SCE deberá garantizarse por el resto del Periodo de la misma.

3. Cualquier parte garantizada y relacionada con emisiones que se especifique para cambio, de conformidad con el Manual del Propietario, deberá garantizarse por el periodo de tiempo previo al primer punto de cambio de esa parte. Si la parte falla antes del primer cambio programado, Sears, Roebuck and Co. reparará o cambiará esa parte de acuerdo con la Subsección 4 que se menciona más adelante. Cualquier parte relacionada con emisiones que se repare o cambie de conformidad con la Garantía SCE deberá estar garantizada por el resto del Periodo de la misma previo al primer punto de cambio programado de esa parte relacionada con emisiones.

4. La reparación o el cambio de cualquier parte garantizada y relacionada con emisiones de conformidad con esta Garantía SCE se deberá llevar a cabo, sin cargo alguno para el propietario, en un Taller Autorizado de Servicio de Sears, Roebuck and Co.

5. No se cargará al propietario el costo por trabajo de diagnóstico, el cual lleva a la determinación de que una parte protegida por la Garantía SCE sí está defectuosa, provisto que dicho trabajo de diagnóstico se lleve a cabo en un Taller Autorizado de Servicio de Sears, Roebuck and Co.

6. Sears, Roebuck and Co. será responsable de daños a otros componentes originales del motor o modificaciones aprobadas que probablemente sean causados por una falla comprendida en la garantía de una parte relacionada con emisiones cubierta por la Garantía SCE.

7. Durante el Periodo de la Garantía SCE, Sears, Roebuck and Co. deberá conservar un suministro de partes garantizadas y relacionadas con emisiones que sea suficiente para cumplir la demanda esperada de esas partes relacionadas con emisiones.

8. Se puede utilizar cualquier parte de repuesto relacionada con emisiones autorizada y aprobada por Sears, Roebuck and Co. para utilizarse en el des-

empeño de cualquier mantenimiento o cambio de la Garantía SCE, la cual se proporcionará sin cargo alguno para el propietario. Dicho uso no reducirá las obligaciones de Sears, Roebuck and Co. conforme a la Garantía SCE.

9. Las partes que se agreguen o modifiquen sin aprobación no se podrán utilizar para modificar o reparar un motor de Sears, Roebuck and Co. Dicho uso anula esta Garantía SCE y conformará las bases suficientes para rechazar la demanda de una Garantía SCE. Sears, Roebuck and Co. no será responsable, conforme a esta garantía, por las fallas de cualquier parte garantizada de un motor de Sears, Roebuck and Co. causadas por el uso de dicha parte agregada o modificada sin aprobación.

#### **LAS PARTES RELACIONADAS CON EMISIONES INCLUYEN A LAS SIGUIENTES:**

1. Ensamble del carburador y sus componentes internos
  - a) Filtro de combustible
  - b) Empaques (juntas) del carburador
  - c) Tubo de entrada
2. Ensamble del depurador de aire
  - a) Elemento del filtro de aire
3. Sistema de encendido, que incluye:
  - a) Bujía de encendido
  - b) Módulo de encendido
  - c) Ensamble del volante
4. Silenciador catalítico (si está equipado)
  - a) Empaque del silenciador (si está equipado)
  - b) Colector de escape (si está equipado)
5. Ensamble del respiradero del cárter del cigüeñal y sus componentes
  - a) Tubo de conexión del respiradero

10/22/99 EPA/CARB

**Sears, Roebuck and Co., Hoffman Estates, IL 60179 U.S.A.**

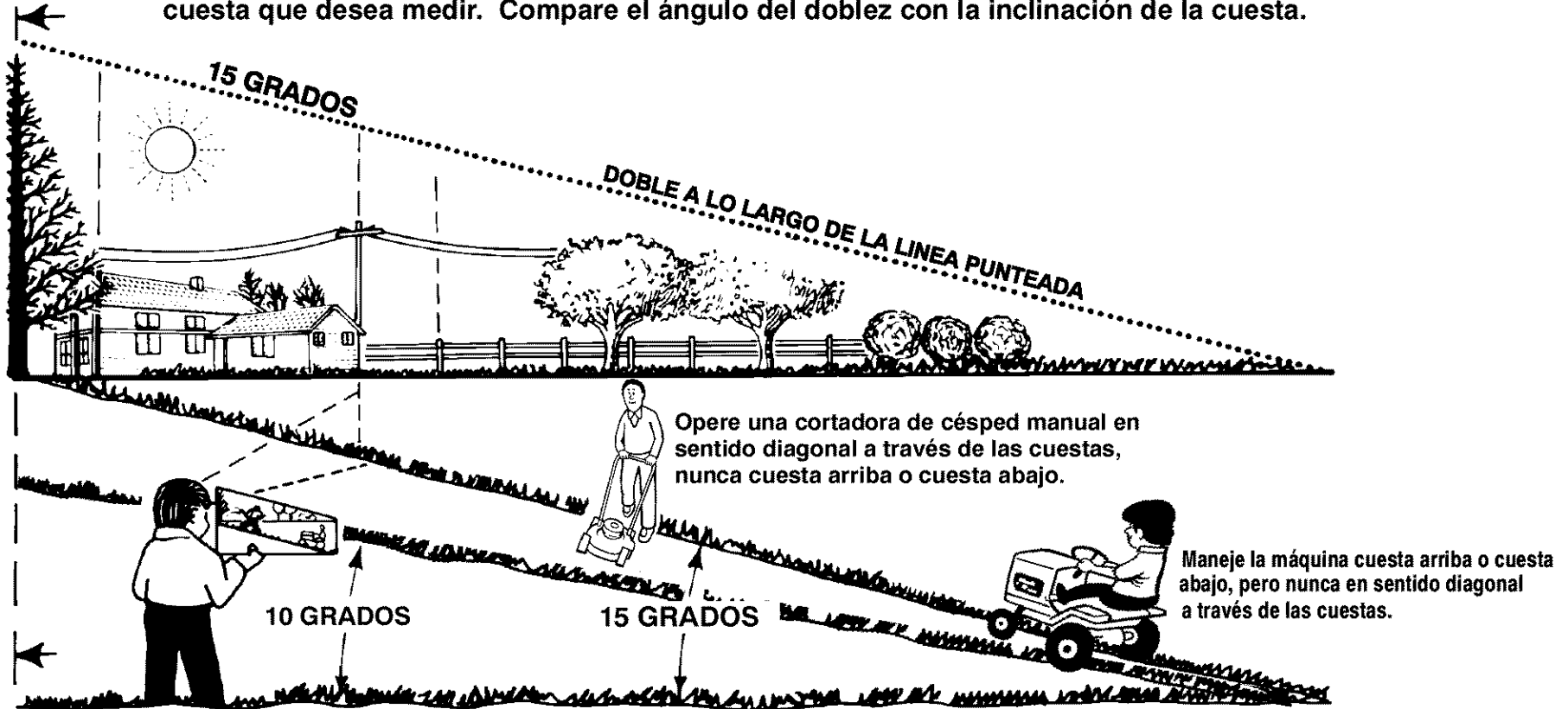
---

# NOTAS

---

# GUIA DE INCLINACION

Doble esta hoja a lo largo de la línea de puntos indicada más abajo. Sostenga la hoja frente a usted de manera que el borde izquierdo quede paralelo al tronco de un árbol u otra estructura erecta. Mire hacia el frente sobre el doblez en la dirección de la inclinación de la cuesta que desea medir. Compare el ángulo del doblez con la inclinación de la cuesta.



Si se encuentra en el tractor cortacésped y quiere determinar si la cuesta es segura para cortar el césped: (1) desenganche la cuchilla(s), (2) ponga la unidad en marcha atrás, y (3) trate de retroceder en subiendo la cuesta en forma directa. Si puede subir retrocediendo, esto indica que generalmente el seguro cortar el césped a ese grado de inclinación. Sin embargo, si usted no se siente seguro, o no está completamente seguro, use esta guía para determinar el ángulo de inclinación de la cuesta.



**ADVERTENCIA:** Para evitar posibles lesiones graves, no corte el césped en una cuesta que tenga una inclinación mayor de 15 grados. Si se usa en tractor cortacésped con un aditamento de remolque o de enganche, no opere el tractor en cuestas que tengan una inclinación mayor de 10 grados.

-----  
CORTE AQUI PARA UTILIZAR LA GUIA DE INCLINACION

---

# NOTAS

---

# INDICE

## A

- Aceite
  - Cambiar, 86
  - Revisar, 79, 86
  - Tipo, 79
- Aditamento para descarga lateral,
  - Instalar, 78
- Aditamentos, 80
- Ajustes
  - Cárter, Nivelar, 89
  - Embrague, 94
- Alineación de ruedas, 96
- Altura de corte
  - Ajustar, 89
  - Cambiar, 75

## B

- Batería
  - Almacenamiento, 96
  - Cargar, 84
  - Desmontar, 84
  - Instalar, 71
  - Limpiar, 84
  - Revisar, 71
- Botón de control de aceleración,
  - Operación, 74
- Bujía, 87

## C

- Cárter
  - Ajustar el nivel, 89
  - Desmontar, 91
  - Instalar, 91
- Cárter de la cortadora, Operación, 80
- Cárter de la cortadora de césped,
  - Altura de corte, 75
- Cárter del cortacésped, Limpiar, 96
- Combustible, Tipo, 79
- Control de velocidad, Ajustar, 94
- Controles, Símbolos internacionales, 69
- Correa
  - Correa de transmisión principal,
    - Ajustar, 94
  - Transmisión
    - Ajustar, 94
    - Cambiar, 93
- Correa de propulsión, Reemplazar, 92
- Correa de transmisión
  - Ajustar, 94
  - Cambiar, 93
- Correa de transmisión principal,
  - Ajustar, 94
- Cubierta de la trituradora, Retirar, 78
- Cuchilla
  - Afilar, 83
  - Desmontar y montar, 83

Inspección, 83

## D

- Desconexión automática, Operación, 75

## E

- Embrague
  - Ajustar, 94
  - Revisar, 94

## F

- Filtro, Aire, 87
- Freno de estacionamiento
  - Operación, 74
  - Ubicación, 73
- Fusible, 96

## G

- Garantía, 65
- Guía de inclinación, 101

## I

- Interruptor de encendido, Ubicación, 73

## L

- Lubricación
  - Cortadora, 85
  - Motor, 86

## M

- Malla de filtro de aire, 86
- Mantenimiento
  - Batería
    - Cargar, 84
    - Limpiar, 84
  - Bujía, 87
  - Cárter
    - Desmontar, 91
    - Instalar, 91
    - Nivelar, 89
  - Cárter del cortacésped, Limpiar, 96
  - Correa, Transmisión, 93
  - Correa de propulsión, Reemplazar, 92
  - Cuchilla, 83
  - Embrague, 94
  - Filtro, Aire, 87
  - Fusible, 96
  - Instalar, Ruedas, 95
  - Lubricación, 85
  - Silenciador, 86
- Motor
  - Aceite, 72, 79, 86
  - Almacenamiento, 96
  - Arrancar, 79
  - Botón de control de aceleración, 74
  - Combustible, 72, 79
  - Lubricación, 86

- Parachispas, 72
- Preparación, 72
- Rejilla parachispas, 86
- Silenciador, 86
- Sistema de enfriamiento, 86

## O

- Operación
  - Aditamentos, 80
  - Arrancar el motor, 79
  - Botón de control de aceleración, 74
  - Cárter de la cortadora, 80
  - Cómo transportar la unidad, 77
  - Corte y recogida de la hierba, 81
  - Desconexión automática, 75
  - Parar la Unidad, 74
  - Freno de estacionamiento, 73, 74
  - Interruptor de encendido, 73
  - Operar en cuestas, 80
  - Palanca de cambios, 73
  - Palanca de control de aceleración, 73
  - Palanca de elevación, 73, 75
  - Pedal de control de velocidad, 76
  - Pedal de embrague y freno, 73
  - Trituradora, 81
  - Ubicación de Controles, 73

## P

- Palanca de cambios, Ubicación, 73
- Palanca de control de aceleración,
  - Ubicación, 73
- Palanca de elevación
  - Operación, 75
  - Ubicación, 73
- Parachispas, 72
- Pedal de control de velocidad,
  - Operación, 76
- Pedal de embrague y freno, Ubicación, 73
- Presión de aire en los neumáticos, 72, 82

## R

- Reglas de Seguridad, Instituto de Estándares Nacionales de Estados Unidos de América, 67-68
- Rejilla parachispas, 86

## S

- Sensor de asiento, Operación, 74, 79
- Servicio y Ajuste, Carburador, 88
- Silenciador, 86
  - Rejilla parachispas, 86
- Símbolos internacionales, 69

## T

- Tabla de Localización de Averías, 97
- Tabla de Mantenimiento, 82
- Trituradora, Operación, 81

# Get it fixed, at your home or ours!

## Your Home

For repair – **in your home** – of **all** major brand appliances, lawn and garden equipment, or heating and cooling systems, **no matter who made it, no matter who sold it!**

For the replacement parts, accessories and owner's manuals that you need to do-it-yourself.

For Sears professional installation of home appliances and items like garage door openers and water heaters.

**1-800-4-MY-HOME®** (1-800-469-4663)

Call anytime, day or night (U.S.A. and Canada)

[www.sears.com](http://www.sears.com)    [www.sears.ca](http://www.sears.ca)

## Our Home

For repair of carry-in items like vacuums, lawn equipment, and electronics, call or go on-line for the location of your nearest

**Sears Parts & Repair Center.**

**1-800-488-1222**

Call anytime, day or night (U.S.A. only)

[www.sears.com](http://www.sears.com)

To purchase a protection agreement on a product serviced by Sears:

**1-800-827-6655** (U.S.A.)

**1-800-361-6665** (Canada)

Para pedir servicio de reparación a domicilio, y para ordenar piezas:

**1-888-SU-HOGAR<sup>SM</sup>**

(1-888-784-6427)

Au Canada pour service en français:

**1-800-LE-FOYER<sup>MC</sup>**

(1-800-533-6937)

[www.sears.ca](http://www.sears.ca)

# SEARS

® Registered Trademark / <sup>TM</sup> Trademark / <sup>SM</sup> Service Mark of Sears, Roebuck and Co.

® Marca Registrada / <sup>TM</sup> Marca de Fábrica / <sup>SM</sup> Marca de Servicio de Sears, Roebuck and Co.

<sup>MC</sup> Marque de commerce / <sup>VD</sup> Marque déposée de Sears, Roebuck and Co.

© Sears, Roebuck and Co.



## Free Manuals Download Website

<http://myh66.com>

<http://usermanuals.us>

<http://www.somanuals.com>

<http://www.4manuals.cc>

<http://www.manual-lib.com>

<http://www.404manual.com>

<http://www.luxmanual.com>

<http://aubethermostatmanual.com>

Golf course search by state

<http://golfingnear.com>

Email search by domain

<http://emailbydomain.com>

Auto manuals search

<http://auto.somanuals.com>

TV manuals search

<http://tv.somanuals.com>