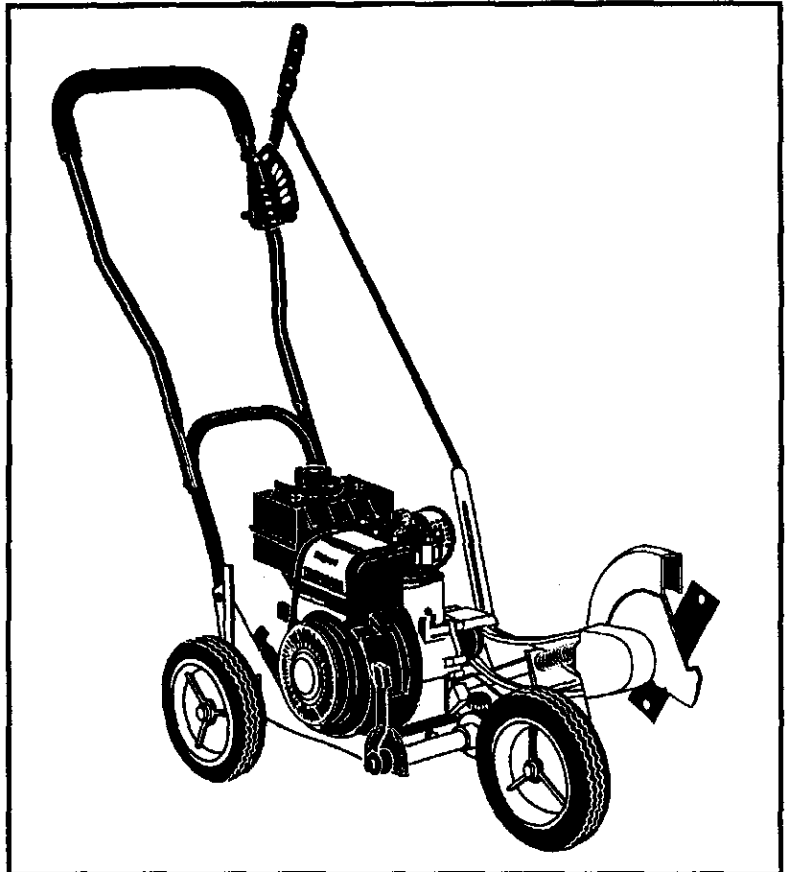


SEARS
OWNER'S
MANUAL

MODEL NO.
536.797571

Caution:
Read and Follow
All Safety Rules
and Instructions
Before Operating
This Equipment



CRAFTSMAN®

3.5 HORSEPOWER
9 INCH
EDGER/TRIMMER

- **Assembly**
- **Operation**
- **Customer Responsibilities**
- **Service and Adjustments**
- **Repair Parts**

SEARS, ROEBUCK AND CO., Hoffman Estates, IL 60179 U.S.A.

SAFETY RULES



CAUTION: ALWAYS DISCONNECT SPARK PLUG WIRE AND PLACE WIRE WHERE IT CANNOT CONTACT SPARK PLUG TO PREVENT ACCIDENTAL STARTING WHEN SETTING-UP, TRANSPORTING, ADJUSTING OR MAKING REPAIRS.



BEFORE USE

- Read the owner's manual carefully. Be thoroughly familiar with the controls and the proper use of the edger/trimmer. Know how to stop the edger/trimmer and disengage the controls quickly.
- Do not operate the edger/trimmer without wearing adequate outer garments. Wear footwear that will improve footing on slippery surfaces.
- Keep the area of operation clear of all persons, particularly small children and pets.
- Thoroughly inspect the area where the edger/trimmer is to be used and remove all foreign objects.

FUEL SAFETY

- Handle fuel with care; it is highly flammable.
- Use an approved container.
- Check fuel supply before each use, allowing space for expansion as the heat of the engine and/or sun can cause fuel to expand.
- Fill fuel tank outdoors with extreme care. Never fill fuel tank indoors. Replace fuel tank cap securely and wipe up spilled fuel.
- Never remove the fuel tank cap or add fuel to a running or hot engine.
- Never store fuel or edger/trimmer with fuel in the tank inside a building where fumes may reach an open flame.

OPERATING SAFETY

- Never allow children or young teenagers to operate the edger/trimmer. Keep them away while it is operating. Never allow adults to operate the edger/trimmer without proper instruction.
- Always wear safety glasses or eye shields during operation or while performing an adjustment or repair to protect your eyes from foreign objects that may be thrown from the edger/trimmer.
- Do not put hands or feet near or under rotating parts.
- Exercise extreme caution when operating on or crossing gravel drives, walks, or roads. Stay alert for hidden hazards or traffic.
- Exercise caution to avoid slipping or falling.
- Never operate the edger/trimmer without proper guards, plates, or other safety protective devices in place.

- Never operate the edger/trimmer at high transport speeds on slippery surfaces. Look behind and use care when backing.
- Never allow bystanders near the edger/trimmer.
- Keep children and pets away while operating.
- Never operate the edger/trimmer without good visibility or light.
- Do not run the engine indoors. The exhaust fumes are dangerous (containing CARBON MONOXIDE, an ODORLESS and DEADLY GAS).
- Take all possible precautions when leaving the edger/trimmer unattended. Stop the engine.
- Do not overload the edger/trimmer capacity by attempting to edge too deep at too fast a rate.

SAFE STORAGE

- Always refer to the owner's manual storage section for important details if the edger/trimmer is to be stored for an extended period.
- Never leave the edger/trimmer with fuel in the fuel tank inside a building where ignition sources are present such as water and space heaters, clothes dryers, and the like. Allow the engine to cool before placing in any enclosure.
- Keep the edger/trimmer in safe working condition. Check all fasteners at frequent intervals for proper tightness.

REPAIR/ADJUSTMENTS SAFETY

- After striking a foreign object, stop the engine (motor). Remove the wire from the spark plug, and keep the wire away from the plug to prevent accidental starting. Thoroughly inspect the edger/trimmer for any damage, and repair the damage before restarting and operating the edger/trimmer.
- If the edger/trimmer should start to vibrate abnormally, stop the engine (motor) and check immediately for the cause. Vibration is generally a warning of trouble.
- Stop the blade whenever you leave the operating position. Also, stop the engine and disconnect the spark plug wire before unclogging the blade and when making any repairs, adjustments, or inspections.
- When cleaning, repairing, or inspecting, shut off the engine and make certain all moving parts have stopped.
- Never attempt to make any adjustments while the engine is running (except when specifically recommended by the manufacturer).



LOOK FOR THIS SYMBOL TO POINT OUT IMPORTANT SAFETY PRECAUTIONS. IT MEANS-- ATTENTION!!! BECOME ALERT!!! YOUR SAFETY IS INVOLVED.

CONGRATULATIONS on your purchase of a Sears Craftsman Edger/trimmer. It has been designed, engineered and manufactured to give you the best possible dependability and performance.

Should you experience any problem you cannot easily remedy, please contact your nearest Sears Service Center/Department. We have competent, well-trained technicians and the proper tools to service or repair this unit.

Please read and retain this manual. The instructions will enable you to assemble and maintain your edger/trimmer properly. Always observe the "SAFETY RULES."

<p>MODEL NUMBER 536.797571</p> <p>SERIAL NUMBER _____</p> <p>DATE OF PURCHASE _____</p> <p>THE MODEL AND SERIAL NUMBERS WILL BE FOUND ON A DECAL ON THE FRAME OF THE EDGER/TRIMMER BEHIND THE ENGINE.</p> <p>YOU SHOULD RECORD BOTH SERIAL NUMBER AND DATE OF PURCHASE AND KEEP IN A SAFE PLACE FOR FUTURE REFERENCE.</p>
--

MAINTENANCE AGREEMENT

A Sears Maintenance Agreement is available on this product. Contact your nearest Sears Store for details.

PRODUCT SPECIFICATIONS

HORSE POWER:	3.5 hp
DISPLACEMENT:	9.52 cu. In. (156 c.c)
GASOLINE CAPACITY:	2.0 qt. Unleaded (Regular)
LUBRICATION:	20 oz. SAE- 30W
SPARK PLUG : (GAP .030 In.)	Champion CJ-8 or Equivalent

CUSTOMER RESPONSIBILITIES

- Read and observe the safety rules.
- Follow a regular schedule in maintaining, caring for and using your edger/trimmer.
- Follow the instructions under "Customer Responsibilities" and "Storage" sections of this owner's manual.

TWO YEAR LIMITED WARRANTY ON CRAFTSMAN EDGER/TRIMMER

For two years from the date of purchase, when this Craftsman Edger/trimmer is maintained, lubricated and tuned-up according to the instructions in the owner's manual, Sears will repair, free of charge, any defect in material and workmanship.

If this Craftsman Edger/trimmer is used for commercial or rental purposes, this warranty applies for only 90 days from the date of purchase.

This warranty does not cover the following:

- Expendable items which become worn during normal use, such as spark plugs, etc.
- Repairs necessary because of operator abuse or negligence, including bent crankshafts and the failure to maintain the equipment according to the instructions contained in the owner's manual.

WARRANTY SERVICE IS AVAILABLE BY RETURNING THE CRAFTSMAN EDGER/TRIMMER TO THE NEAREST SEARS SERVICE CENTER/DEPARTMENT IN THE UNITED STATES. THIS WARRANTY APPLIES ONLY WHILE THIS PRODUCT IS IN USE IN THE UNITED STATES.

This warranty gives you specific legal rights, and you may also have other rights which may vary from state to state.

SEARS, ROEBUCK AND CO. Department D/871WA, Hoffman Estates, IL. 60179

WARNING: This unit is equipped with an internal combustion engine and should not be used on or near any unimproved forest-covered, brush-covered or grass-covered land unless the engine's exhaust system is equipped with a spark arrester meeting applicable local or state laws (if any). If a spark arrester is used, it should be maintained in effective working order by the operator.

In the state of California the above is required by law (Section 4442 of the California Public Resources Code). Other states may have similar laws. Federal laws apply on federal lands. A spark arrester/muffler is available through your nearest Sears Authorized Service Center (See REPAIR PARTS section in this manual).

TABLE OF CONTENTS

SAFETY RULES	2	OPERATION	9-13
PRODUCT SPECIFICATIONS.....	3	SERVICE AND ADJUSTMENTS	16-17
CUSTOMER RESPONSIBILITIES	3,14,15	STORAGE.....	18
WARRANTY	3	TROUBLE SHOOTING.....	19
TABLE OF CONTENTS	4	REPAIR PARTS	
CONTENTS OF HARDWARE PACK.....	5	(EDGER/TRIMMER).....	20-27
ASSEMBLY	6-8	REPAIR PARTS (ENGINE).....	28-31
		PARTS ORDERING/SERVICE.....	Back Cover

INDEX

A		E		P	
Adjustments:		Engine:		Parts Bag	5
Carburetor	17	Air Cleaner	15	Primer Button	9,10
Assembly	6-8	Oil Change	14	Product Specifications	3
Tools Required	6	Oil Level	11,14		
To Assemble	6-8	Oil Type	3,11,14	R	
		Preparation.....	11,12	Repair Parts:	
B		Starting	13	Edger/trimmer	20-27
Belt:		Storage	18	Engine	28-31
Removal/Replacement	16	Edger/trimmer Tips	13		
Blade:				S	
Replacement	16,17	F		Safety Rules	2
		Fuel:		Service and Adjustments	16-17
C		Type	12	Carburetor	17
Carburetor Adjustment.....	17	Storage	18	V-Belt:	
Check List:		G		Removal/Replacement	16,17
Operation.....	8	General Recommendations	14	Specifications	3
Maintenance	14	I		Starting the Engine	13
Clutch Lever	9,10	Index lever	9,10	Stopping the Edger/trimmer	10
Controls, Edger/trimmer.....	9-11	L		Storage	18
Curb-Hopping Feature	11	Lubrication:			
Customer Responsibilities... 3,14,15		Edger/trimmer	14	T	
General Recommendations	14	Engine	14,15	Table of Contents	4
Lubrication	14,15	O		Throttle Control	9,10
Edger/trimmer	14	Oil:		Troubleshooting Points	19
Engine	14,15	Cold Weather Conditions	11,14		
Air Cleaner, Engine.....	15	Engine	11,14	W	
Spark Plugs	15	Storage	18	Warranty	3
		Type	3,11,14		
		Operation	9-13		
		Operating Your Edger/trimmer	10,11		

CONTENTS OF HARDWARE PACK

Parts bag contents shown full size



(4) - Hex Head Wide Flange
Screws 5/16-18 x 5/8 Inch



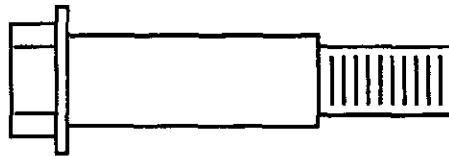
(8) - Hex Head Locknuts 5/16-18



(2) - Hair Pins



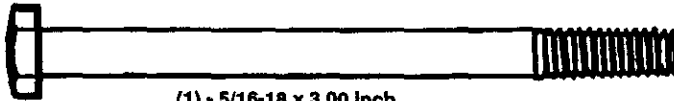
(4) - Hex Head Screws
5/16-18 x 1-1/4 Inch



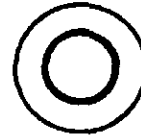
(1) - Shoulder Bolt 3/8-16 x 1.400 Inch



(1) - Hex Head Jam Nut 3/8-16



(1) - 5/16-18 x 3.00 Inch
Hex Head Screw



(1) - .70 Inch long Spacer (left
rear wheel assembly)



(1) - 1.39 Inch long Spacer
(front wheel assembly)



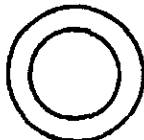
1 - Cotter Pin



(1) - 5/16-18 Hex Head Wide
Flange Locknut



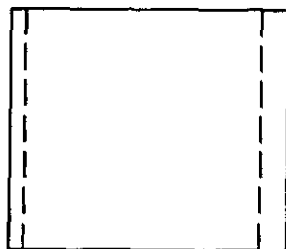
(1) - 1/2 x 3/4 Inch
Flatwasher
(right rear wheel assembly)



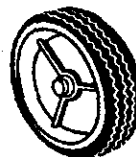
(2) - 11/32 x 11/16 Inch
Flatwashers
(front wheel assembly)



(1) - Owner's manual



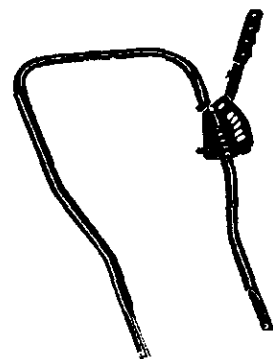
(1) - Parts Bag



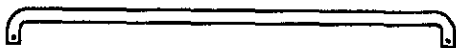
(3) - Wheels



(1) - Lower Handle



(1) - Upper Handle Assembly



(1) - Control Rod



1 - container SAE30 oil

ASSEMBLY

TOOLS REQUIRED FOR ASSEMBLY

- 2 - 1/2 inch Wrenches (or adjustable wrenches)
- 2 - 9/16 inch Wrench (or adjustable wrenches)
- 2 - Adjustable Wrenches
- 1 - Knife
- 1 - Regular Screwdriver

Figure 1 shows the edger/trimmer completely assembled.

Reference to the right and left hand side of the edger/trimmer is from the operator's position behind the unit.

TO REMOVE EDGER/TRIMMER FROM CARTON

- Remove the lower handle from the carton.
- Remove the control rod from the carton.
- Remove the upper handle and packing material from the carton.
- Remove wheels, parts bag and packing material from the carton.
- Cut down all four corners of the carton.
- Remove packing from edger/trimmer blade.

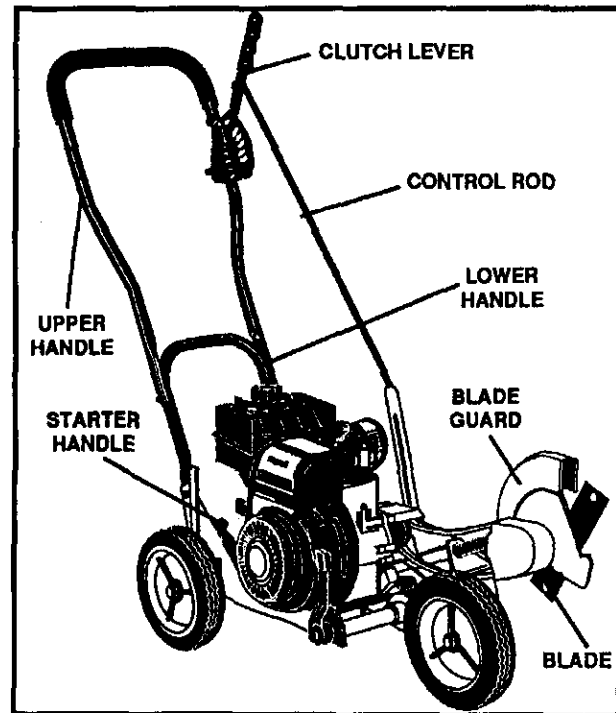


FIG. 1



CAUTION: ALWAYS WEAR SAFETY GLASSES OR EYE SHIELDS WHILE ASSEMBLING EDGER/TRIMMER.

ASSEMBLY

TO ASSEMBLE THE EDGER/TRIMMER

NOTE: Lower handle should be attached first as it is difficult to attach lower handle with the wheels on.

- Place the lower handle inside the edger/trimmer frame (See Fig. 2) and secure in place with four (4) 5/16-18 x 5/8 inch hex head wide flange screws and four (4) 5/16-18 hex head locknuts (found in parts bag). **NOTE:** Locknuts should be on the inside of frame as shown in Fig. 2.

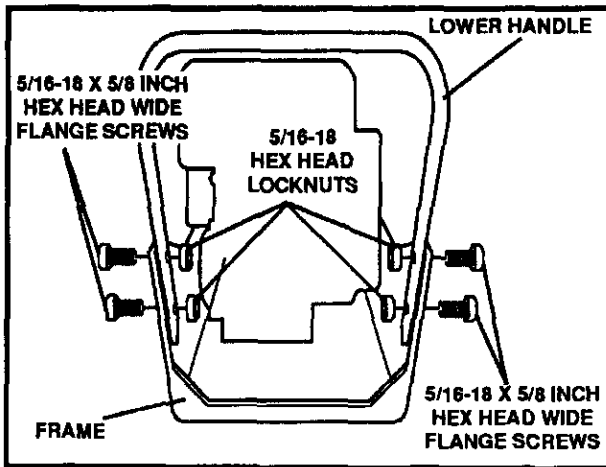


FIG. 2

- Attach the right rear wheel to the wheel support rod of the edger/trimmer (See Fig. 2A) with a 1/2 x 3/4 inch flatwasher and cotter pin (found in parts bag).

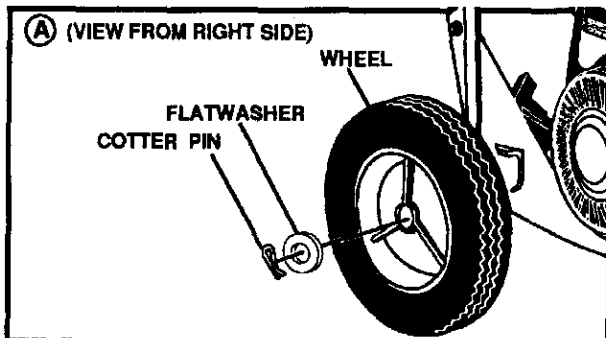


FIG. 2A

- Attach the left rear wheel to the edger/trimmer (See Fig. 2B) with a 3/8-16 x 1.39 inch shoulder bolt, spacer (.70 inch long) and 3/8-16 hex head jam nut (found in parts bag).

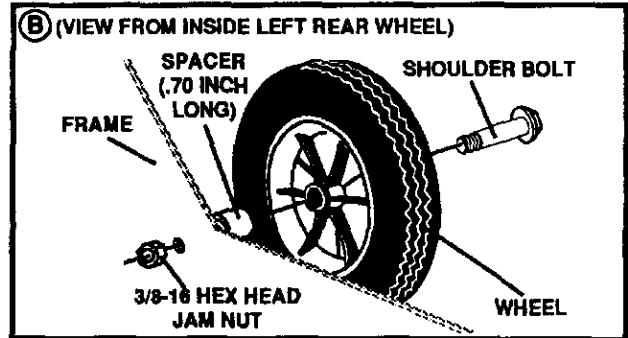


FIG. 2B

- Attach the front wheel to the edger/trimmer (See Fig. 2C) with a 5/16-18 x 3.00 inch hex head screw, two 11/32 x 11/16 inch flatwashers, one spacer (1.39 inch long) and a 5/16-18 hex head wide flange locknut (found in parts bag).

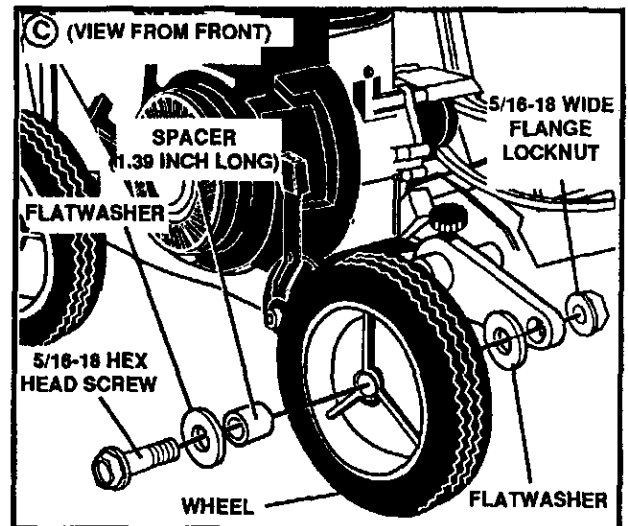


FIG. 2C

ASSEMBLY

- Place the upper handle on the lower handle (See Fig. 3), align upper handle holes in the lower handle, and secure in place with four (4) 5/16-18 x 1-1/4 inch hex head screws and four (4) 5/16-18 hex head locknuts (found in parts bag). Locknuts should be to the inside of the two handles as shown in Fig. 3.

NOTE: Clutch lever is located on the left hand side of the upper handle when properly installed.

- Insert one end of the control rod from left to right through the hole in the clutch lever (See Fig. 3) and attach with a hair pin (found in the parts bag).
- Place the clutch lever in the first depth selection (Fig. 3) and insert the other end of the control rod through the hole in the quill support arm (See Fig. 3). Attach with hairpin (found in parts bag).
- Move the clutch lever to rearmost (NEUTRAL) position and latch in. See note below.

NOTE: If it is difficult to get the clutch lever into NEUTRAL, it may be necessary to loosen the four screws and nuts holding the lower handles to the frame (See Fig. 4). Pry up (forward) on the handles only enough to allow the clutch lever to freely enter the NEUTRAL position. Re-tighten nuts and screws. When the clutch lever is in NEUTRAL the quill support arm should be against the spacer and screw behind it (See Fig. 3 inset).

✓ CHECKLIST

BEFORE YOU OPERATE AND ENJOY YOUR NEW EDGER/TRIMMER, WE WISH TO ASSURE THAT YOU RECEIVE THE BEST PERFORMANCE AND SATISFACTION FROM THIS QUALITY PRODUCT.

PLEASE REVIEW THE FOLLOWING CHECKLIST:

- ✓ All assembly instructions have been completed.
- ✓ No remaining loose parts in carton.
- ✓ All fasteners have been properly installed and tightened.

WHILE LEARNING HOW TO USE YOUR EDGER/TRIMMER, PAY EXTRA ATTENTION TO THE FOLLOWING IMPORTANT ITEMS:

- ✓✓ Engine oil is at proper level.
- ✓✓ Fuel tank is filled with fresh, clean, regular Unleaded gasoline.
- ✓✓ Become familiar with all controls-their location and function. Operate controls before starting engine.

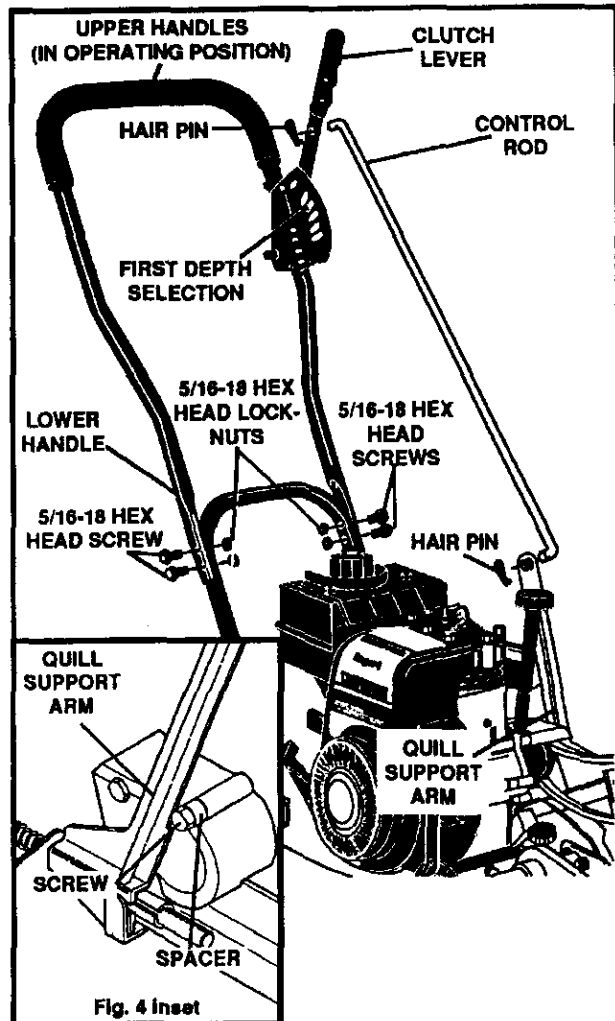


FIG. 3

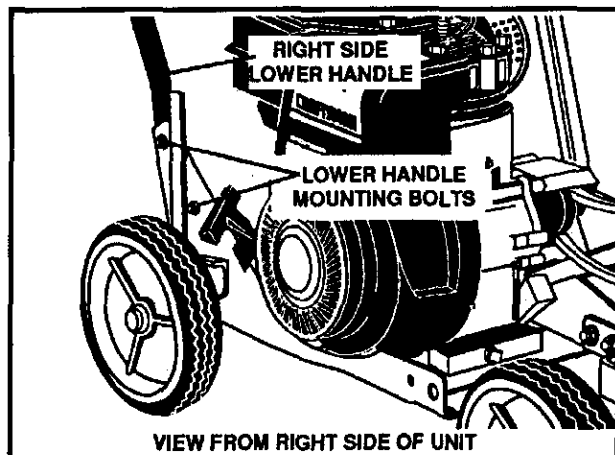


FIG. 4

OPERATION

KNOW YOUR EDGER/TRIMMER

READ THIS OWNER'S MANUAL AND SAFETY RULES BEFORE OPERATING YOUR EDGER/TRIMMER. Compare the illustrations with your edger/trimmer to familiarize yourself with the location of various controls and adjustments. Save this manual for future reference.

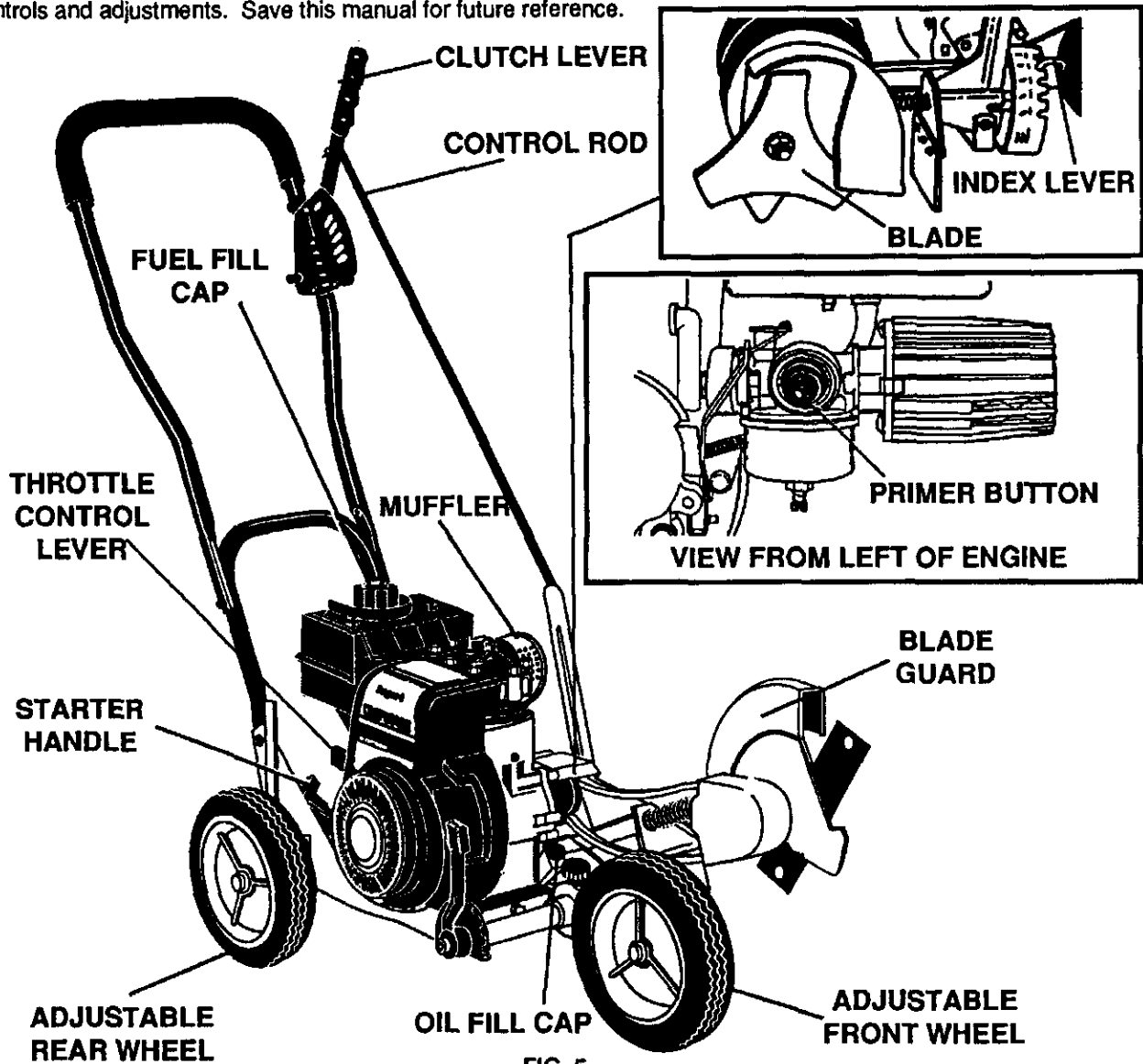


FIG. 5

THROTTLE CONTROL - Used to control the engine speed.

PRIMER BUTTON - Injects fuel directly into the carburetor manifold for faster starts.

STARTER HANDLE - The engine on this edger/trimmer is equipped with an easy pull recoil starter.

CLUTCH LEVER - Used to start and stop the blade and control the depth of cut.

INDEX LEVER - Permits adjustment from the edging (vertical) position to trimming (horizontal) position. To

change position, pull the index lever and rotate the quill assembly to the desired angle or position.

BLADE GUARD - Used to prevent stones or other material from being thrown at the operator.

ADJUSTABLE REAR WHEEL - Right rear wheel is adjustable for curb-hopping (to level edger/trimmer when edging along a curb).

ADJUSTABLE FRONT WHEEL - Front wheel is adjustable from side-to-side for balance. Also, can be adjusted down for curb-hopping (to level edger/trimmer when edging along a curb).

OPERATION



The operation of this edger/trimmer can result in foreign objects being thrown into the eyes, which can result in severe eye damage. Always wear safety glasses or eye shields while operating the edger/trimmer. We recommend standard safety glasses or Wide Vision Safety Mask for over your glasses.

HOW TO USE YOUR EDGER/TRIMMER TO STOP EDGER/TRIMMER

- To stop the engine, make sure the clutch lever is all the way back (or up) and move the throttle control lever to the STOP position.



CAUTION: NEVER LEAVE THE EDGER/TRIMMER UNATTENDED WHILE THE ENGINE IS RUNNING. ALWAYS DISENGAGE THE CUTTING BLADE AND STOP THE ENGINE.

TO USE THROTTLE CONTROL

- Run at full engine speed during normal use.
- Push throttle control lever up to increase speed; down to decrease speed.

TO USE PRIMER BUTTON

- Push primer button five (5) times (see Fig. 5). Wait about two (2) seconds between each push.

NOTE: Do not use primer to restart a warm engine after a short shutdown.

TO USE THE CLUTCH LEVER

- Start the engine and move the clutch lever forward (or down) to engage the cutting blade.
- Select the edging depth you need. There are 5 selections up to 2-3/4 inches deep.

IMPORTANT: IF VERY DEEP EDGING IS REQUIRED, WE RECOMMEND THAT A SHALLOW CUT BE MADE FIRST, THEN CUTS AT GREATER DEPTHS UNTIL THE DESIRED DEPTH IS OBTAINED.

TO USE THE INDEX LEVER (TRIMMING OPERATION)

- Stop the engine and disconnect the spark plug wire from the spark plug.
- Loosen the knob (See Fig. 6) on the front wheel arm and slide the wheel all the way to the right side.
- Tighten the knob securely.



CAUTION: THE FRONT WHEEL MUST BE IN THE EXTREME RIGHT POSITION TO PREVENT THE BLADE FROM STRIKING WHEEL WHILE IN TRIMMING POSITION.

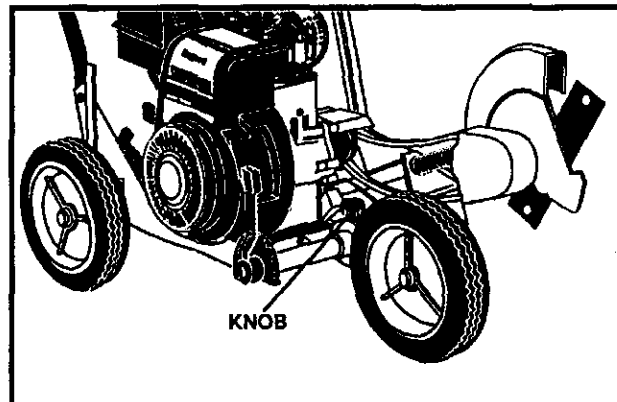


FIG. 6

- Pull the index lever out of its notch (See Fig 7) and position it in the notch marked 90°.
- Reconnect the spark plug wire and start the engine. Move the clutch lever to the desired trimming height.



CAUTION: NEVER LEAVE THE EDGER/TRIMMER UNATTENDED WHILE THE ENGINE IS RUNNING. ALWAYS DISENGAGE THE CUTTING BLADE AND STOP THE ENGINE.

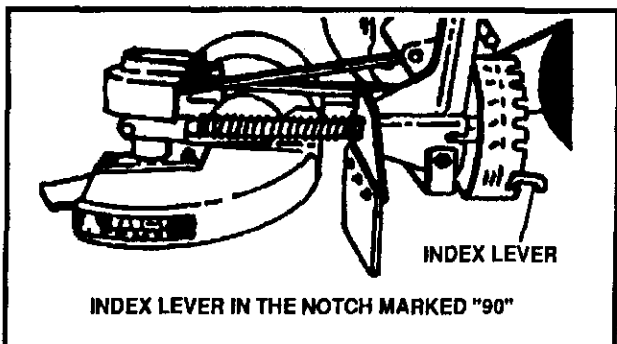


FIG. 7

OPERATION

TO USE CURB-HOPPING FEATURE

The adjustable front and right rear wheel feature permit the edger/trimmer to be used on an uneven surface (such as a curb) as shown in Fig. 8.

- Stop the engine and disconnect the spark plug wire from the spark plug.
- Loosen the knob on the front wheel arm bracket and slide the wheel to the best position to clear the curb and balance the unit.
- Tighten the knob securely.
- Using the curb height adjust lever, lower the front wheel to a position that places the edger/trimmer level with the left rear wheel on the uneven (curb) surface.
- Loosen the tee knob on the inside right rear of the main frame that secures the wheel support rod (See Fig. 8).
- Slide the rear wheel down until the edger/trimmer is level when the left wheel is on the curb.
- Tighten the tee knob securely.
- Reconnect the spark plug wire and start the engine. The depth of cut adjustment is the same as described in Edging Operation paragraph.

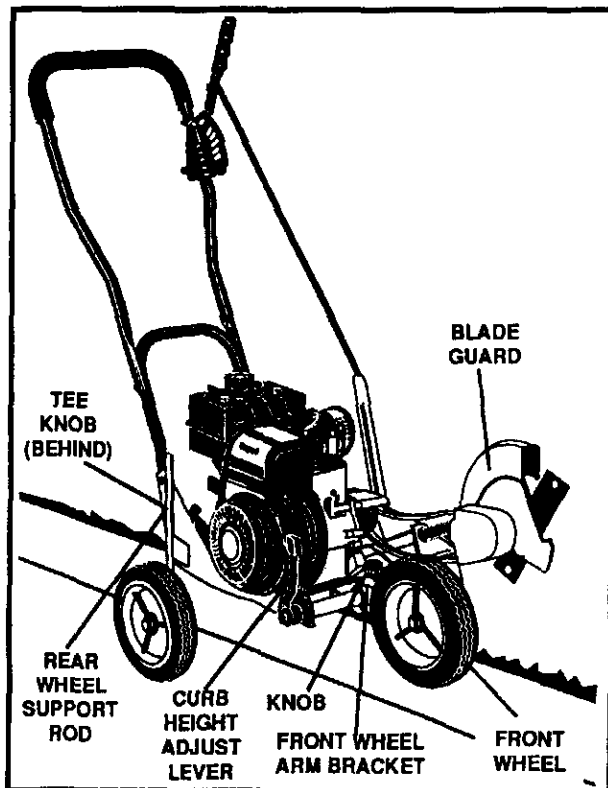


FIG. 8



CAUTION: KEEP AWAY FROM THE ROTATING BLADE. THE BLADE CAN CAUSE INJURY.

BEFORE STARTING ENGINE

PRE-USE CHECK OF CONTROLS

All controls should be checked for proper function before servicing or starting the engine.

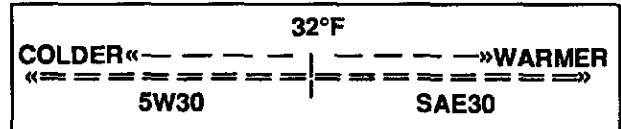
- Move the clutch lever into all six (6) positions in the selector plate. Make sure the clutch lever snaps into all six (6) holes. (Fig. 5)
- Return the clutch lever to the rearmost hole in the selector plate.

FILL/ADD OIL:

This edger/trimmer was shipped with a container of SAE30 motor oil. This oil must be added to the engine before operating. Remove the oil fill cap/dipstick and fill the crankcase to FULL line on dipstick (20 ounces).

NOTE: Engine may already contain some residual oil. Check frequently when filling the crankcase. Do not overfill.

Tighten the fill cap/dipstick securely each time you check the oil level.



OIL RECOMMENDATIONS

Only use high quality detergent oil rated with API service classification SG. Select the oil's SAE viscosity grade according to your expected operating temperature:

NOTE: Although multi-viscosity oils (5W30, 10W30, etc.) improve starting in cold weather, these multi-viscosity oils will result in increased oil consumption when used above 32°F. Check your engine oil level more frequently to avoid possible engine damage from running low on oil.

TO ADD ENGINE OIL

- Place the edger/trimmer on a level surface.
- Remove the oil fill cap (Fig. 9).
- Fill the engine crankcase, pouring slowly. Do not overfill. For approximate capacity see PRODUCT SPECIFICATIONS on page 3 of this manual.



CAUTION: NEVER FILL THE GAS TANK WHILE THE ENGINE IS RUNNING OR HOT. IMMEDIATELY WIPE OFF ANY SPILLED GASOLINE BEFORE ATTEMPTING TO START THE ENGINE.

OPERATION



CAUTION: GASOLINE IS FLAMMABLE AND CAUTION MUST BE USED WHEN HANDLING OR STORING IT. DO NOT FILL FUEL TANK WHILE EDGER/TRIMMER IS RUNNING, HOT, OR WHEN EDGER/TRIMMER IS IN AN ENCLOSED AREA. KEEP AWAY FROM OPEN FLAME, ELECTRICAL SPARK, AND DO NOT SMOKE WHILE FILLING THE FUEL TANK. NEVER FILL FUEL TANK COMPLETELY; BUT FILL THE TANK TO WITHIN 1/4 - 1/2 INCH FROM THE TOP TO PROVIDE SPACE FOR EXPANSION OF FUEL. ALWAYS FILL FUEL TANK OUTDOORS AND USE A FUNNEL OR SPOUT TO PREVENT SPILLING. MAKE SURE TO WIPE UP ANY SPILLED FUEL BEFORE STARTING THE ENGINE.

STORE GASOLINE IN A CLEAN, APPROVED CONTAINER, AND KEEP THE CAP IN PLACE ON THE CONTAINER. KEEP GASOLINE IN A COOL, WELL VENTILATED PLACE; NEVER IN THE HOUSE. NEVER BUY MORE THAN A 30 DAY SUPPLY OF GASOLINE TO ASSURE VOLATILITY. GASOLINE IS INTENDED TO BE USED AS A FUEL FOR INTERNAL COMBUSTION ENGINES; THEREFORE, DO NOT USE GASOLINE FOR ANY OTHER PURPOSE. SINCE MANY CHILDREN LIKE THE SMELL OF GASOLINE, KEEP IT OUT OF THEIR REACH BECAUSE THE FUMES ARE DANGEROUS TO INHALE, AS WELL AS BEING EXPLOSIVE.

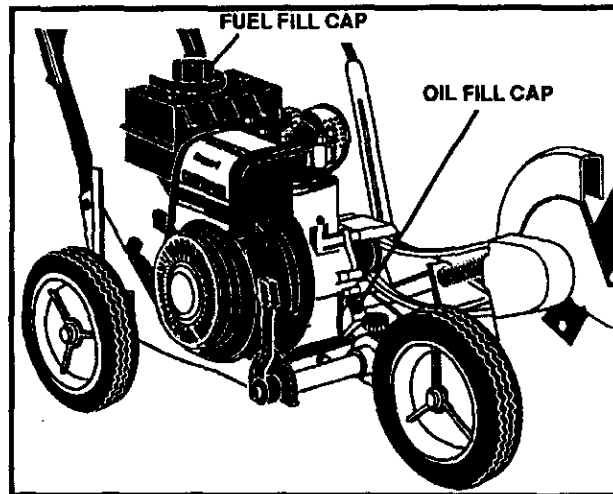


FIG. 9

- Reinstall the oil fill cap and tighten securely.
- Check oil before each use. Add if needed.
- Change oil after the first 2 operating hours and every 25 operating hours thereafter.

FILL GAS:

Fill the fuel tank (See Fig. 9) with clean, fresh, unleaded grade automotive gasoline. Be sure that the container you pour the gasoline from is clean and free from dust or other foreign particles. Never use gasoline that may be stale from long periods of storage in the container.

WARNING: Experience indicates that alcohol blended fuels (called gasohol or using methanol) can attract moisture which leads to separation and formation of acids during storage. Acidic gas can damage the fuel system of an engine while in storage. To avoid engine problems, the fuel system should be emptied before storage of 30 days or longer. Drain fuel tank, start engine and let it run until fuel lines and carburetor are empty. Use fresh fuel next season. See Storage Instructions for additional information. Never use engine or carburetor cleaner products in the fuel tank or permanent damage may occur.

OPERATION

TO START THE ENGINE

Before starting the engine, be sure you have read and understood all the instructions on the preceding pages. The edger/trimmer is equipped with a recoil starter. The operation of the engine is controlled by the throttle control lever.

- Pull the clutch lever all the way back (or up) to the rearmost hole to raise and disengage the blade.
- Move the throttle control lever (See Fig. 5) to the RUN position.
- Push primer button five (5) times (see Fig. 5). Wait about two (2) seconds between each push.

NOTE: Do not use primer to restart a warm engine after a short shutdown.

- To start engine, grasp the engine starter handle firmly your right hand.
- Hold the edger/trimmer handle firmly with your left hand.
- Pull up sharply on the recoil starter handle. **DO NOT** allow the starter rope to snap back, let it rewind slowly while holding the starter handle.

NOTE: If engine fails to start after three (3) pulls, push primer button two (2) times and pull starter rope again.

- When the engine starts. Push throttle control lever up to increase speed; down to decrease speed. Run at full engine speed during normal use.

NOTE: The cutting blade speed is controlled by the engine speed. To reduce the cutting blade speed, push down on the throttle control lever. To increase the blade speed, push the throttle control lever up.

- To stop the engine, make sure the clutch lever is all the way back (or up) and move the throttle control lever to the STOP position.



CAUTION: NEVER RUN THE ENGINE INDOORS OR IN A POORLY VENTILATED AREA. ENGINE EXHAUST CONTAINS CARBON MONOXIDE, AN ODORLESS GAS AND DEADLY GAS.

KEEP HANDS, FEET, HAIR AND LOOSE CLOTHING AWAY FROM ANY MOVING PARTS ON THE ENGINE OR EDGER/TRIMMER.

WARNING - AVOID THE MUFFLER AND SURROUNDING AREAS (SEE FIG. 6). TEMPERATURES MAY EXCEED 150° F.

EDGING TIPS

- Edging is best performed when conditions are dry. If the soil is too wet, dirt becomes packed in and around the blade causing premature belt wear and decreased performance.
- If dirt does become packed around the blade, stop the engine, remove the spark plug wire, and remove the packed debris before continuing to edge.
- If very deep edging is required, we recommend that a shallow cut be made first, then cuts at greater depth until the desired depth is obtained.
- Uniform edging can be performed when the blade guide rides on and against the surface which you are edging.
- Edging can be customized by varying the number of passes and by the distance your blade is from the surface you are edging.

CUSTOMER RESPONSIBILITIES

MAINTENANCE CHECK LIST

SERVICE RECORD

FILL IN DATES
AS YOU COMPLETE
REGULAR SERVICE

	BEFORE STORAGE	BEGINNING EACH SEASON	EVERY 25 HOURS OF USE	EVERY 10 HOURS OF USE	EVERY 5 HOURS OF USE	FREQUENTLY	BEFORE EACH USE	AFTER FIRST 2 HOURS OF USE										
Lubricate all Pivot Points									●									
Lubricate Wheel Axles																		
Check Engine Oil Level									●									
Change Engine Oil									●									
Replace Air Cleaner Filter																		
Check Spark Plug																		
Check Drive Belt																		
Tighten All Screws and Nuts									●									
Check Blade Wear/Damage																		

GENERAL RECOMMENDATIONS

The warranty on this edger/trimmer does not cover items that have been subjected to operator abuse or negligence. To receive full value from the warranty, the operator must maintain the edger/trimmer as instructed in this manual. The following **Maintenance Check List** is supplied to assist the operator properly maintain the edger/trimmer.

LUBRICATION

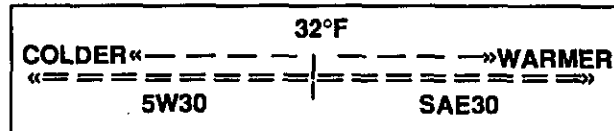
EDGER/TRIMMER

- Apply light machine oil after each 25 hours of use to all moving parts, particularly the wheels.

ENGINE

- The oil in the crankcase must be changed after the first 2 hours of operation and after each 25 hours of use thereafter.

NOTE: If the edger/trimmer is being used in sandy or dusty areas, change the oil more frequently to prevent premature engine wear.



OIL RECOMMENDATIONS

Only use high quality detergent oil rated with API service classification SG. Select the oil's SAE viscosity grade according to your expected operating temperature:

NOTE: Although multi-viscosity oils (5W30, 10W30, etc.) improve starting in cold weather, these multi-viscosity oils will result in increased oil consumption when used above 32°F. Check your engine oil level more frequently to avoid possible engine damage from running low on oil.

TO CHANGE ENGINE OIL

- Disconnect the spark plug wire from the spark plug.
- Remove the oil drain plug (See Fig. 10) and drain the oil into a flat pan.
- After draining all the oil, reinstall the oil drain plug securely.

NOTE: The oil will drain more freely when the engine is warm.

CUSTOMER RESPONSIBILITIES

- Remove the oil fill cap (see Fig. 9).
 - Fill the engine crankcase, pouring slowly. Do not overfill. For approximate capacity see PRODUCT SPECIFICATIONS on page 3 of this manual.
 - Reinstall the oil fill cap and tighten securely.
- NOTE:** The quill assembly bearings are factory sealed and will require no lubrication.
- Reconnect the spark plug wire on the spark plug.

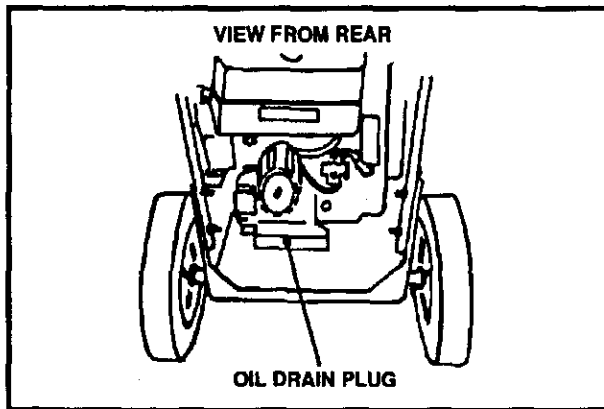


FIG. 10

AIR CLEANER

Replace the filter once a year; more often under dusty or dirty conditions. **DO NOT** attempt to clean or oil the air filter.

To install a new air filter, do the following:

- Disconnect the spark plug wire from the spark plug.
- Turn the cover (See Fig. 11) to the left (counterclockwise) and remove the cover and the air filter from the flange.
- Discard the air filter.
- Clean the cover and the flange thoroughly.
- Insert the new air filter into the cover.
- Push the cover firmly against the flange and turn it to the right (clockwise) as far as it will go (See Fig. 11). Be sure the retainers are locked around the flange.
- Reconnect the spark plug wire.



CAUTION: NEVER RUN THE ENGINE WITHOUT THE AIR CLEANER ELEMENT INSTALLED. A DEFECTIVE AIR CLEANER CAN RESULT IN LOSS OF ENGINE POWER AND CAN CAUSE EXCESSIVE WEAR OR DAMAGE TO THE ENGINE COMPONENTS IF DIRT OR DUST IS PERMITTED TO ENTER THE ENGINE THROUGH THE CARBURETOR. A DAMAGED AIR CLEANER, OR ONE THAT IS CLOGGED WITH DUST OR DIRT SHOULD BE REPLACED IMMEDIATELY.

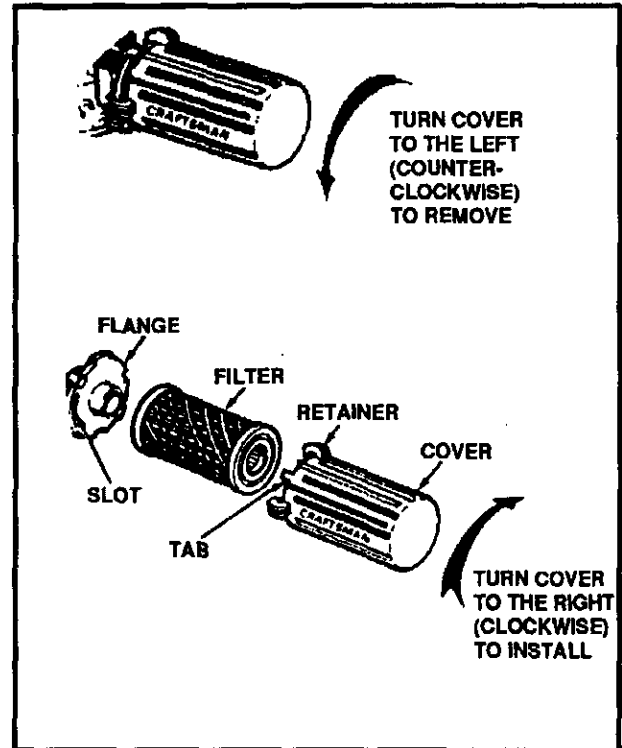


FIG. 11

SPARK PLUG

Clean the spark plug and reset the gap periodically. Clean the area around the spark plug base, before removal, to prevent dirt from entering into the engine. Replace the spark plug if the electrodes are pitted or burned or if the porcelain is cracked. Clean the spark plug by carefully scraping the electrodes (do not sand blast or use a wire brush). Be sure the spark plug is clean and free of foreign material. Check the electrodes gap with a wire feeler gauge and reset to .035 if necessary. If a new spark plug is needed, refer to the **Engine Operation and Maintenance** manual for the proper replacement spark plug.

Before reinstalling the spark plug, coat the threads lightly with graphite or light oil to insure easy removal. Tighten the spark plug firmly into the engine. If a torque wrench is available, torque the spark plug to 15 foot-pounds.

SERVICE AND ADJUSTMENTS



CAUTION: ALWAYS STOP THE ENGINE AND DISCONNECT THE SPARK PLUG WIRE BEFORE MAKING ANY REPAIRS TO THE EDGER/TRIMMER.



CAUTION: DO NOT ATTEMPT TO SHARPEN THIS BLADE. YOU COULD CAUSE DAMAGE TO THE BLADE WHICH COULD RESULT IN BREAKAGE AND POSSIBLE USER OR BYSTANDER INJURY.

V-BELT REPLACEMENT

Your edger/trimmer is equipped with a V-belt made of a special compound. If the belt becomes worn or breaks, replace it with an **original equipment belt** as shown in the **Repair Parts** section of this manual. **NEVER USE A SUBSTITUTE.**

- Disconnect the spark plug wire from the spark plug.
- Pull the clutch lever back (or up) to release the tension from the belt.
- Remove the two top screws from the engine pulley cover (See Fig. 12) and remove the cover.

NOTE: Make sure you do not lose the spacer on the rear screw or the two long spacers on the inside.

- Remove the front screw securing the belt guide (See Fig. 12) to the engine. Then loosen the rear screw and swing the belt guide away from the belt.
- Remove the two (2) screws from the belt guard (See Fig. 13). Remove the belt guard.
- Carefully, spread open the front belt guide enough to allow belt to be removed from quill pulley.
- Remove the belt from the engine and quill assembly pulleys and install the new belt in reverse order of removal.
- Install and secure front belt guard.
- Secure the belt guide loosened earlier.
- Reinstall the engine pulley cover and reconnect the spark plug wire.

BLADE REPLACEMENT

The cutting blade is subject to wear and damage such as nicks and dents. This will not generally affect its function.

This blade is specially designed to not require sharpening. **DO NOT ATTEMPT TO SHARPEN THIS BLADE.** The blade is reversible. If the nicks and dents are excessive, remove the blade, turn it around and reinstall. This will provide a fresh cutting edge. If worn or damaged the blade should be replaced.



CAUTION: WHEN REMOVING OR TIGHTENING THE BLADE NUT, ALWAYS USE THE METHOD SHOWN IN FIGURE 14. THE HOLDING WRENCH MUST ALWAYS BE POSITIONED ON THE NUT BEHIND THE CUTTING BLADE.

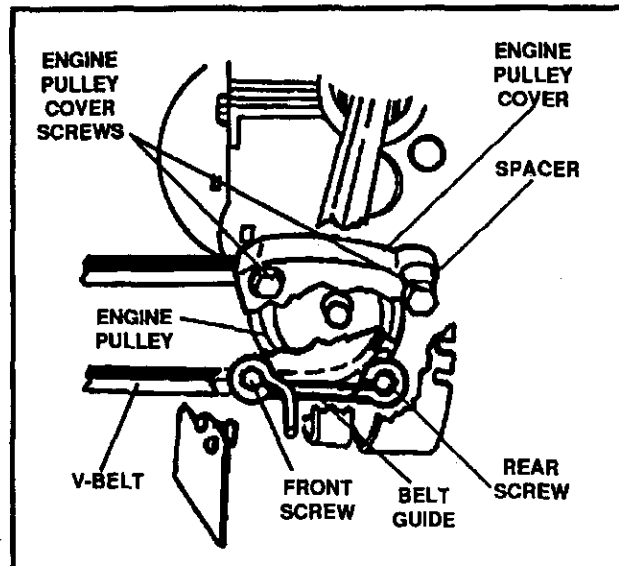


FIG. 12

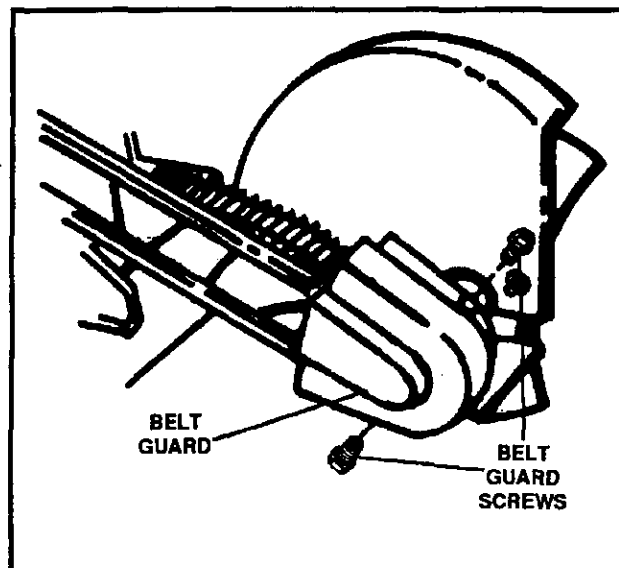


FIG. 13

SERVICE AND ADJUSTMENTS

To replace the blade, do the following:

- Disconnect the spark plug wire.
- Remove the 1/2-20 locknut (See Fig. 14) securing the blade to the drive shaft.
- Remove the blade.
- Install the new blade and reinstall nut. Tighten the nut securely.
- Reconnect the spark plug wire.

TO ADJUST CARBURETOR

The carburetor (See Fig. 15) has been pre-set at the factory and readjustment should not be necessary. However, if the carburetor does need to be adjusted, proceed as follows:

- Close the high speed adjusting screw by hand.
- Do not over-tighten.
- Then open it 1-1/4 to 1-1/2 turns.
- Start the engine and let it warm up.
- Set the throttle control to RUN. Adjust the high speed adjusting screw in until the engine speed or sound alters. Adjust the screw out until the engine speed sound alters. Note the difference between the two limits and set the screw in the middle of the range.
- If the engine tends to stall under load or not accelerate from low speed to high speed properly, adjust the high speed screw out in 1/8 turn increments until the problem is resolved.
- Let the engine run undisturbed for 30 seconds between each setting to allow the engine to react to the previous adjustments.

IMPORTANT: NEVER TAMPER WITH THE ENGINE GOVERNOR, WHICH IS FACTORY SET FOR PROPER ENGINE SPEED. OVERSPEEDING THE ENGINE ABOVE THE FACTORY HIGH SPEED SETTING CAN BE DANGEROUS. IF YOU THINK THE ENGINE - GOVERNED HIGH SPEED NEEDS ADJUSTING, CONTACT YOUR NEAREST SEARS SERVICE CENTER, WHICH HAS THE PROPER EQUIPMENT AND EXPERIENCE TO MAKE ANY NECESSARY ADJUSTMENTS.

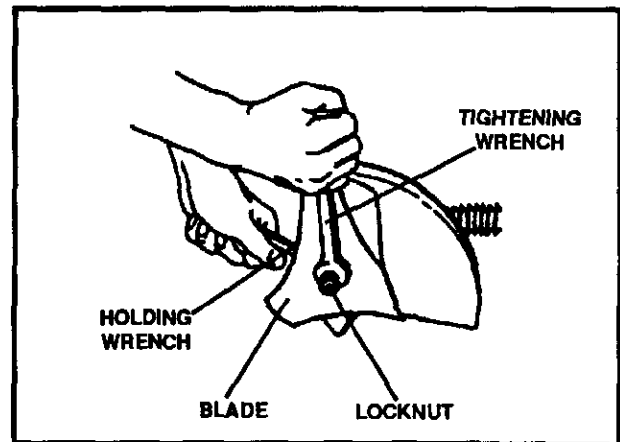


FIG. 14

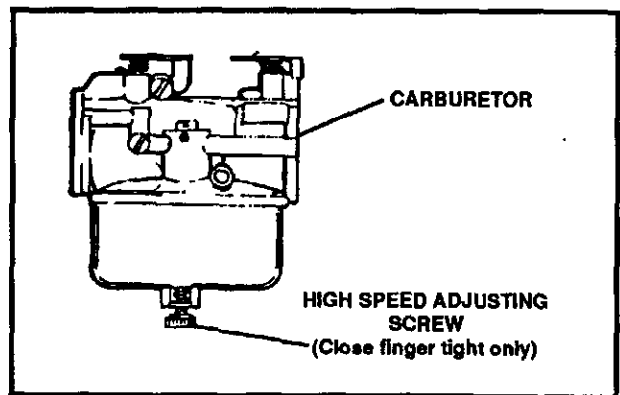


FIG. 15

STORAGE



CAUTION: NEVER STORE YOUR EDGER INDOORS OR IN AN ENCLOSED, POORLY VENTILATED AREA IF GASOLINE REMAINS IN THE TANK. FUMES MAY REACH AN OPEN FLAME, SPARK OR PILOT LIGHT FROM A FURNACE, WATER HEATER, CLOTHES DRYER, CIGARETTE, ETC.

EDGER

- Clean the edger thoroughly; remove all debris and wipe the unit dry.
- Inspect the edger for worn or damaged parts and tighten all loose hardware.
- Oil all points described in the **Lubrication** paragraph in the **Customer Responsibilities** section of this manual.
- Store the edger in a protected area and cover for additional protection.

IMPORTANT: A YEARLY CHECKUP OR TUNE-UP BY A SEARS SERVICE CENTER IS A GOOD WAY OF ENSURING THAT YOUR EDGER WILL PROVIDE MAXIMUM PERFORMANCE FOR THE NEXT SEASON.

ENGINE

IMPORTANT: IT IS IMPORTANT TO PREVENT GUM DEPOSITS FROM FORMING IN ESSENTIAL FUEL SYSTEM PARTS SUCH AS THE CARBURETOR, FUEL FILTER, FUEL HOSE, OR TANK DURING STORAGE. ALSO, EXPERIENCE INDICATES THAT ALCOHOL-BLENDED FUELS (CALLED GASOHOL OR USING ETHANOL OR METHANOL) CAN ATTRACT MOISTURE WHICH LEADS TO SEPARATION AND FORMATION OF ACIDS DURING STORAGE. ACIDIC GAS CAN DAMAGE THE FUEL SYSTEM OF AN ENGINE WHILE IN STORAGE.

To prevent engine damage (if edger is not used for more than 30 days) follow the steps below.

- To remove gasoline, run the engine until the tank is empty and the engine stops.
- If you do not want to remove gasoline, a fuel stabilizer (such as Sears Craftsman fuel stabilizer No. 33500) may be added to any gasoline left in the tank to minimize gum deposits and acids. If the tank is almost empty, mix stabilizer with fresh gasoline in a separate container and add some to the tank. **ALWAYS FOLLOW INSTRUCTIONS ON STABILIZER CONTAINER. THEN RUN ENGINE AT LEAST 10 MINUTES AFTER STABILIZER IS ADDED TO ALLOW MIXTURE TO REACH CARBURETOR. STORE EDGER IN A SAFE PLACE. SEE WARNING ABOVE.**
- Store the edger in the wheels-down, operating position. If the edger is stored in any other position, oil from the crankcase could enter the cylinder, causing a service problem.

You can keep your engine in good operating condition during storage by:

- Changing oil.
- Lubricating the piston/cylinder area. This can be done by first removing the spark plug and squirting clean engine oil into the spark plug hole. Then cover the spark plug hole with a rag to absorb oil spray. Next, rotate the engine by pulling the starter two or three times. Finally, reinstall spark plug and attach spark plug wire.

TROUBLE SHOOTING

TROUBLE	CAUSE	CORRECTION
Difficult starting	Stale fuel	Drain fuel tank. Fill with fresh fuel.
	Defective spark plug	Clean and re-gap spark plug.
Engine runs erratic	Clogged fuel filter	Replace fuel filter.
	Blocked fuel line or empty fuel tank	Clean fuel line; check gas tank.
	Carburetor out of adjustment	Have carburetor adjusted.
	Fouled spark plug	Clean and adjust gap.
	Clogged air cleaner	Tap clean or replace air cleaner.
Cutting blade fails to turn	Jammed due to foreign object	Clear obstruction.
	Loose blade	Tighten blade retaining nut.
	Defective V-belt	Replace the V-belt.
	Defective quill bearings	Replace the bearings.
Blade fails to cut properly	Damaged or worn blade	Reverse blade or replace blade.
Excessive vibration	Loose parts	Stop engine immediately; tighten all bolts. If vibration continues, take the unit into the nearest SEARS Service Center.

Free Manuals Download Website

<http://myh66.com>

<http://usermanuals.us>

<http://www.somanuals.com>

<http://www.4manuals.cc>

<http://www.manual-lib.com>

<http://www.404manual.com>

<http://www.luxmanual.com>

<http://aubethermostatmanual.com>

Golf course search by state

<http://golfingnear.com>

Email search by domain

<http://emailbydomain.com>

Auto manuals search

<http://auto.somanuals.com>

TV manuals search

<http://tv.somanuals.com>