

**CRAFTSMAN®**

## **Operator's Manual**

### **Snow Thrower**

**4 Horsepower 4-Cycle Engine**

**21-inch Single Stage**

**Auger Propelled**

**Model 536.881400**

**CAUTION:** Before using this product, read this manual and follow all of its Safety Rules and Operating Instructions.



## **Manual del usuario**

### **Quitanieves**

**de 21 pulgadas**

**4 caballos de fuerza (hp)**

**Monoetápico**

**Propulsado por barrena**

**Modelo 536.881400**

**PRECAUCIÓN:** Antes de usar este producto, lea este manual y siga todas las reglas de seguridad e instrucciones de operación.

**Sears, Roebuck and Co., Hoffman Estates, IL 60179 U.S.A.**

F-041067C

[www.sears.com/craftsman](http://www.sears.com/craftsman)

## TABLE OF CONTENTS

WARRANTY STATEMENT .....	2	STORAGE .....	22
SAFETY RULES .....	2	TROUBLESHOOTING CHART ..	23
INTERNATIONAL SYMBOLS ....	4	REPAIR PARTS .....	28
ASSEMBLY .....	6	ENGINE REPAIR PARTS .....	36
OPERATION .....	8	SPANISH (ESPAÑOL) .....	43
MAINTENANCE .....	14	PARTS ORDERING/SERVICE ..	
SERVICE AND ADJUSTMENT ..	18		BACK COVER

## WARRANTY STATEMENT

### LIMITED ONE-YEAR WARRANTY ON CRAFTSMAN SNOW THROWER

For one year from the date of purchase, when this Craftsman Snow thrower is maintained, lubricated, and tuned up according to the operating and maintenance instructions in the owner's manual, Sears will repair, free of charge, any defect in material or workmanship. If this Craftsman Snow thrower is used for commercial or rental purposes, this warranty applies for only 90 days from the date of purchase.

This warranty does not cover the following:

- Items which become worn during normal use, such as spark plugs, drive belts and shear pins.
- Repair necessary because of operator abuse or negligence, including bent crankshafts and the failure to maintain the equipment according to the instructions contained in the owner's manual.

**WARRANTY SERVICE IS AVAILABLE BY RETURNING THE CRAFTSMAN SNOW THROWER TO THE NEAREST SEARS SERVICE CENTER IN THE UNITED STATES. THIS WARRANTY APPLIES ONLY WHILE THIS PRODUCT IS IN USE IN THE UNITED STATES.**

This warranty gives you specific legal rights, and you may also have other rights which may vary from state to state.

Sears, Roebuck and Co., D817WA, Hoffman Estates, IL 60179

## SAFETY RULES



**LOOK FOR THIS SYMBOL TO POINT OUT IMPORTANT SAFETY PRECAUTIONS. IT MEANS— ATTENTION!!! BECOME ALERT!!! YOUR SAFETY IS INVOLVED.**



### WARNING:



Engine Exhaust, some of its constituents, and certain vehicle components contain or emit chemicals known to the State of California to cause cancer and birth defects or other reproductive harm.

Battery posts, terminals and related accessories contain lead and lead compounds, chemicals known to the State of California to cause cancer and birth defects or other reproductive harm. **WASH HANDS AFTER HANDLING.**



**WARNING:** Always disconnect the spark plug wire and place it where it cannot make contact with spark plug to prevent accidental starting during: Preparation, Maintenance, or Storage of your snow thrower.

**IMPORTANT:** Safety standards require operator presence controls to minimize the risk of injury. Your snow thrower is equipped with such controls. Do not attempt to defeat the function of the operator presence control under any circumstances.

## TRAINING

1. Read this operating and service instruction manual carefully. Be thoroughly familiar with the controls and the proper use of the snow thrower. Know how to stop the snow thrower and disengage the controls quickly.
2. Never allow children to operate the snow thrower. Never allow adults to operate the snow thrower without proper instruction.
3. Keep the area of operation clear of all persons, particularly small children and pets.
4. Exercise caution to avoid slipping or falling especially when operating in reverse.

## PREPARATION

1. Thoroughly inspect the area where the snow thrower is to be used and remove all doormats, sleds, boards, wires, and other foreign objects.
2. Disengage all clutches before starting the engine (motor).
3. Do not operate the snow thrower without wearing adequate winter outer garments. Wear footwear that will improve footing on slippery surfaces.
4. Handle fuel with care; it is highly flammable.
  - a. Use an approved fuel container.
  - b. Never remove fuel tank cap or add fuel to a running engine (motor) or hot engine (motor).
  - c. Fill fuel tank outdoors with extreme care. Never fill fuel tank indoors.
  - d. Replace fuel cap securely and wipe up spilled fuel.
  - e. Never store fuel or snow thrower with fuel in the tank inside of a building where fumes may reach an open flame or spark.
  - f. Check fuel supply before each use, allowing space for expansion as the heat of the engine (motor) and/or sun can cause fuel to expand.
5. For all snow throwers with electric starting motors use electric starting extension cords certified CSA/UL. Use only with a receptacle that has been installed in accordance with local inspection authorities.
6. Let engine (motor) and snow thrower adjust to outdoor temperatures before starting to clear snow.
7. Always wear safety glasses or eye shields during operation or while performing an adjustment or repair to protect eyes from foreign objects that may be thrown from the snow thrower.

## OPERATION

1. Do not operate this snow thrower if you are taking drugs or other medication which can cause drowsiness or affect your ability to operate this snow thrower.
2. Do not use the snow thrower if you are mentally or physically unable to operate the snow thrower safely.
3. Do not put hands or feet near or under rotating parts. Keep clear of the discharge opening at all times.
4. Exercise extreme caution when operating on or crossing gravel drives, walks or roads. Stay alert for hidden hazards or traffic.
5. After striking a foreign object, stop the engine (motor), remove the wire from the spark plug, thoroughly inspect snow thrower for any damage, and repair the damage before restarting and operating the snow thrower.
6. If the snow thrower should start to vibrate abnormally, stop the engine (motor) and check immediately for the cause. Vibration is generally a warning of trouble.
7. Stop the engine (motor) whenever you leave the operating position, before unclogging the auger/impeller housing or discharge chute and when making any repairs, adjustments, or inspections.
8. When cleaning, repairing, or inspecting, make certain the auger/impeller and all moving parts have stopped and all controls are disengaged. Disconnect the spark plug wire and keep the wire away from the spark plug to prevent accidental starting.
9. Take all possible precautions when leaving the snow thrower unattended. Disengage the auger/ impeller, stop engine (motor), and remove key.
10. Do not start or run engine in enclosed area, even if doors or windows are open. Exhaust fumes are dangerous (containing CARBON MONOXIDE, an ODORLESS and DEADLY GAS).
11. Do not clear snow across the face of slopes. Exercise extreme caution when changing direction on slopes. Do not attempt to clear steep slopes.
12. Never operate the snow thrower without proper guards, plates or other safety protective devices in place.
13. Never operate the snow thrower near enclosures, automobiles, window wells, drop-offs, and the like without proper adjustment of the snow discharge angle. Keep children and pets away.

14. Do not overload the snow thrower capacity by attempting to clear snow at too fast a rate.
15. Never operate the snow thrower at high transport speeds on slippery surfaces. Look behind and use care when backing up.
16. Never direct discharge at bystanders or allow anyone in front of the snow thrower.
17. Disengage power to the collector/impeller when snow thrower is transported or not in use.
18. Use only attachments and accessories approved by the manufacturer of the snow thrower (such as tire chains, electric start kits, ect.).
19. Never operate the snow thrower without good visibility or light. Always be sure of your footing and keep a firm hold on the handles. Walk; never run.
20. Do not over-reach. Keep proper footing and balance at all times.
21. Do not attempt to use snow thrower on a roof.
2. Store the snowthrower away from ignition sources or appliances that have a pilot light, such as hot water and space heaters, clothes dryers, etc.... Allow the engine (motor) to cool before storing in any enclosure.
3. Always refer to operator's guide instructions for important details if the snow thrower is to be stored for an extended period.
4. Maintain or replace safety and instruction labels, as necessary.
5. Run the snow thrower a few minutes after throwing snow to prevent freeze-up of the auger/impeller.



**WARNING: This snow thrower is for use on sidewalks, driveways and other ground level surfaces.**

**Caution should be exercised while using on steep sloping surfaces. DO NOT USE SNOW THROWER ON SURFACES ABOVE GROUND LEVEL such as roofs of residences, garages, porches or other such structures or buildings.**

## MAINTENANCE AND STORAGE

1. Check shear bolts and other bolts at frequent intervals for proper tightness to be sure the snow thrower is in safe working condition.

## SYMBOLS

**IMPORTANT:** Many of the following symbols are located on your snow thrower or on literature supplied with the product. Before you operate the snow thrower, learn and understand the purpose for each symbol.

### CONTROL AND OPERATING SYMBOLS



Slow



Fast



Electric Start



Engine Start



Engine Run



Engine Off



Engine Stop



On



Choke Off



Choke On



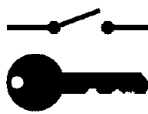
Neutral



Throttle



Primer Button



Ignition Key



Ignition Off



Ignition On



Drive Clutch



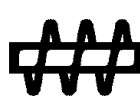
Forward



Reverse



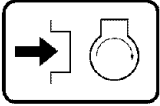
Auger Clutch



Auger Collector



Engage



Push To Engage  
Electric Starter



Fuel



Oil



Fuel Oil Mixture



Discharge DOWN



Discharge UP



Discharge LEFT



Discharge RIGHT



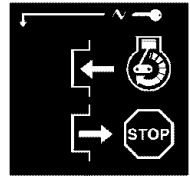
Weight Transfer  
Lift Handle To  
Engage



Weight Transfer  
Depress Pedal  
To Disengage



Transmission

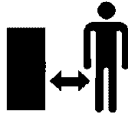


Ignition Key  
Insert To Run,  
Pull Out To Stop.

## Safety Warning Symbols



**DANGER**  
Thrown Objects.  
Keep Bystanders Away.



**DANGER**  
Thrown Objects.  
Keep Bystanders Away.



**WARNING**



**IMPORTANT**  
Read Owner's Manual  
Before Operating  
This Machine.



**DANGER**  
Avoid Injury From  
Rotating Auger. Keep  
Hands, Feet And  
Clothing Away.



**DANGER**  
Stop The Engine Before  
Unclogging Discharge Chute!



**WARNING**  
Hot Surface



**STOP**

# ASSEMBLY

## Contents of Parts Bag (actual size)

- 1 – Owner's Manual (not shown)
- 1 – Packet of Fuel Stabilizer (not shown)



1– Container 5W30 Oil



**WARNING:** Always wear safety glasses or eye shields while assembling snow thrower.

## TOOLS REQUIRED

- 1 – Knife to cut carton

Figure 1 shows the snow thrower in the operating position.

References to the right or left hand side of the snow thrower are from the viewpoint of the operator's position behind the unit.

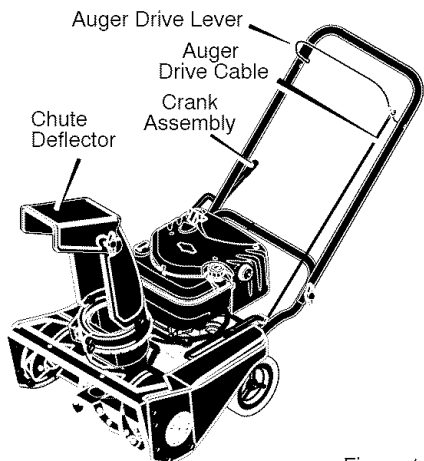


Figure 1

## HOW TO REMOVE FROM THE CARTON

1. Locate and remove container of Craftsman 5W30 oil.

F-041067C

2. Locate all parts packed separately and remove from the carton.  
**NOTE:** Place fuel stabilizer in a safe place until needed for storage.
3. Remove and discard the packing material from around the snow thrower.
4. Cut down all four corners of the carton and lay the panels flat.
5. Loosen the knobs holding the upper handle to the lower handle (See Figure 2). Raise the upper handle to the operating position. Tighten the knobs.
6. Roll snow thrower off the carton by pulling on the lower handle.  
**CAUTION:** DO NOT back over cables.
7. Remove the packing material from handle assembly. Remove the lower insert from the axle.

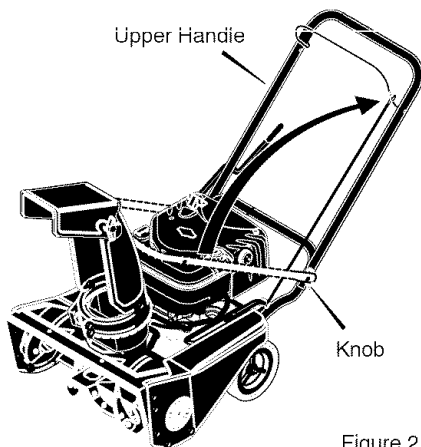


Figure 2

# ASSEMBLY

## ✓ CHECKLIST

Before you operate your new snow thrower, to ensure that you receive the best performance and satisfaction from this quality product, please review the following checklist:

- ✓ All assembly instructions have been completed.
- ✓ The discharge chute rotates freely.
- ✓ No remaining loose parts in carton.

While learning how to use your snow

thrower, pay extra attention to the following important items:

- ✓ Engine oil is at proper level. Use a high quality detergent oil classified "For Service SG, SH, SJ, SL, or higher".
- ✓ Make sure gas tank is filled properly with clean, fresh, unleaded gasoline with a minimum of 85 octane.
- ✓ Become familiar with all controls—their location and function. Operate controls before starting engine.

## OPERATION

### KNOW YOUR SNOW THROWER

READ THIS OWNER'S MANUAL AND SAFETY RULES BEFORE OPERATING YOUR SNOW THROWER. Compare the illustrations with your SNOW THROWER to familiarize yourself with the location of various controls and adjustments. Save this manual for future reference.

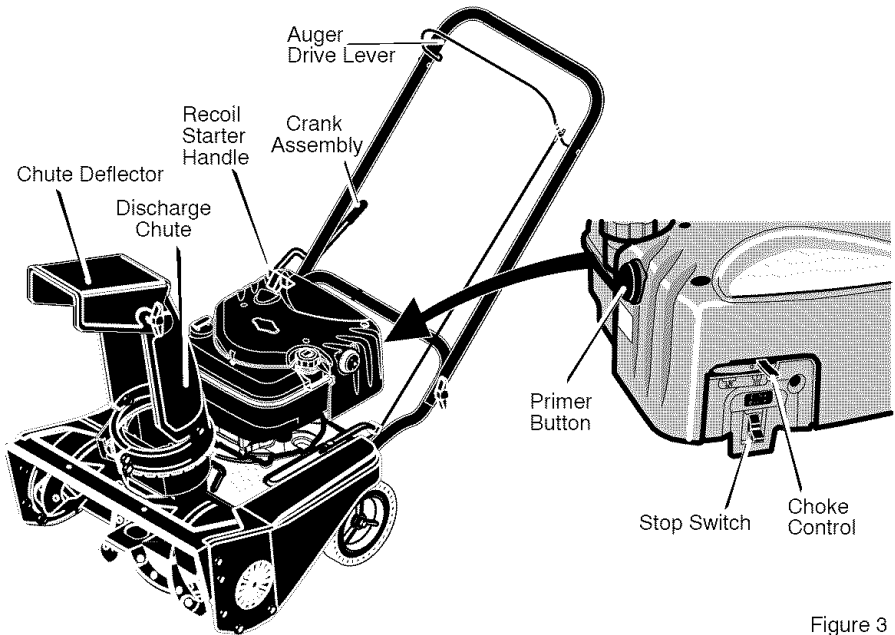


Figure 3

**Auger Drive Lever** – Starts and stops the auger.

**Crank Assembly** – Changes the direction of snow throwing through the discharge chute.

**Chute Deflector** – Changes the distance the snow is thrown.

**Discharge Chute** – Changes the direction the snow is thrown.

**Stop Switch** – Must be moved to the on position to start the engine.

**Recoil Starter Handle** – Starts the engine manually.

**Choke Control** – Used to start a cold engine.

**Primer Button** – Injects fuel directly into the carburetor manifold for fast starts in cold weather.



## OPERATION



**WARNING: Read Owner's Manual before operating machine. Never direct discharge toward bystanders. Stop the engine before unclogging discharge chute or auger housing and before leaving the machine.**

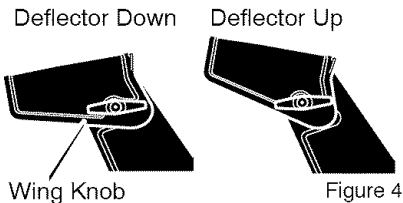
### TO STOP YOUR SNOW THROWER

1. To stop throwing snow, release the **auger drive lever**. See Figure 3.  
**NOTE:** If the snow thrower continues to slowly move forward, see "How To Adjust The Auger Control Cable" in the Service And Adjustment Section.
2. To stop the engine, move the ignition lever to the off position.

**CAUTION: To stop the engine, do not move the choke control to CHOKE position. Backfire or engine damage can occur.**

### TO CONTROL SNOW DISCHARGE

1. Turn the chute control rod to set the direction of the snow throwing.
2. Loosen the **wing knob** on the chute deflector and move the deflector to set the distance. Move the deflector (**Up**) for more distance, (**Down**) for less distance. Then tighten the **wing knob** (See Figure 4).



### HOW TO THROW SNOW

1. Engage the **auger drive lever**.

2. To stop throwing snow, release the **auger drive lever**.



**WARNING: The operation of any snow thrower can result in foreign objects being thrown into the eyes, which can result in severe eye damage. Always wear safety glasses or eye shields while operating the snow thrower. We recommend standard safety glasses or use a wide vision safety mask over your glasses.**

### HOW TO MOVE FORWARD

1. Hold the **auger drive lever** against the **handle** (See Figure 5). The auger will begin rotating.
2. To go forward, raise the **handle** to allow the **rubber auger blades** to contact the ground. Maintain a firm hold on the **handle** as the snow thrower starts to move forward. Guide the snow thrower by moving the **handle** either left or right. Do not attempt to push the snow thrower.
3. To stop, release the **auger drive lever**.

**NOTE:** If the auger continues to rotate, see "How To Adjust The Auger Control Cable" in the Service and Adjustments section.

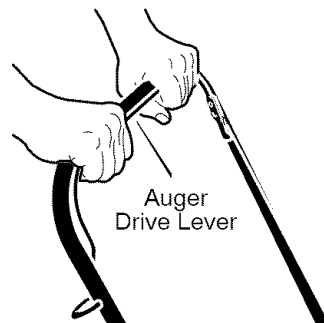


Figure 5

## OPERATION

### FILL OIL:

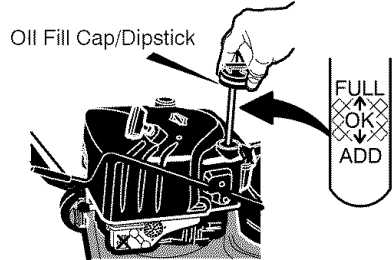
**NOTE:** Engine may already contain some residual oil. Check frequently when filling the crankcase. **DO NOT** overfill.

The snow thrower was shipped with a container of 5W30 motor oil. This oil must be added to the engine before operating.

1. Make sure the unit is level.
2. Remove the oil fill cap/dipstick and fill the crank case to "**FULL**" line on dipstick. **DO NOT** overfill. See Figure 6.
3. Tighten the fill cap/dipstick securely each time you check the oil level.

**NOTE:** Synthetic oil is recommended for operating temperatures below 32°F. Synthetic 5W30 is acceptable for all temperatures. **DO NOT** mix oil with gasoline.

**NOTE:** Synthetic oil can assist with starting in extreme cold temperatures. Synthetic 5W30 is acceptable for all temperatures. **DO NOT** mix oil with gasoline.



**NOTE:** Oil level must be at FULL mark.

Figure 6

### FILL GAS:

This engine is certified to operate on gasoline. Exhaust Emission Control System: EM (Engine Modifications).

**WARNING:** Alcohol blended fuels (called gasohol or those using ethanol or methanol) can attract moisture which leads to separation and formation of acids during storage. Acidic gas can damage the fuel system of an engine while in storage.

**NOTE:** To avoid engine problems, the fuel system must be emptied before storage for 30 days or longer. Start the engine and let it run until the fuel lines and carburetor are empty. Use fresh fuel next season. See the **Storage** F-041067C

section in this manual for additional information.

Never use engine or carburetor cleaner products in the fuel tank or permanent damage may occur.

1. Fill the fuel tank only with a fresh, clean, unleaded regular, unleaded premium, or reformulated automotive gasoline with a minimum of 85 octane. **DO NOT** use leaded gasoline. We recommend that you add fuel stabilizer to the gasoline. Use the fuel stabilizer supplied with the unit or purchase Craftsman Fuel Stabilizer No. 3550. Make sure that the container you pour the gasoline from is clean and free from rust or other foreign particles. Never use gasoline that may be stale from long periods of storage in the container.

## OPERATION



**WARNING:** Gasoline is flammable. Always use caution when handling or storing gasoline.

- Turn engine off and let engine cool at least two minutes before removing the gas cap.
- Do not fill fuel tank while snow thrower is running, when it is hot, or when snow thrower is in an enclosed area.
- Keep away from open flame or an electrical spark and do not smoke while filling the fuel tank.
- Never fill the tank completely. Fill the tank to within 1-1/2" from the top to provide space for expansion of fuel.
- Always fill fuel tank outdoors and use a funnel or spout to prevent spilling.
- Make sure to wipe up any spilled fuel before starting the engine.
- Store gasoline in a clean, approved container and keep the cap in place on the container.

### BEFORE STARTING THE ENGINE

1. Before you service or start the engine, familiarize yourself with the snow thrower. Be sure you understand the function and location of all controls.
2. Be sure that all fasteners are tight.
3. Before starting the engine, make sure all controls operate correctly.

### HOW TO STOP THE ENGINE

To stop the engine, push the **stop switch** to the OFF position.

**CAUTION:** To stop the engine, do not move the choke control to **CHOKE** position. Backfire or engine damage can occur.

F-041067C

### HOW TO START THE ENGINE

#### (RECOIL STARTER)

Make sure that the engine oil is at FULL mark on dipstick. The engine is equipped with a recoil starter. Before starting the engine, make certain that you have read the following information.

If engine floods, set the choke to the OPEN/RUN position and crank until the engine starts.



**WARNING:** Rapid retraction of the starter cord (kick-back) will pull your hand or arm toward the engine faster than you can let go of the starter cord.

- When starting the engine, slowly pull the starter cord until resistance is felt. Then, rapidly pull the starter cord.
- Make sure components; such as impellers, pulleys or sprockets, are securely attached.

### How To Start A Cold Engine

1. Push the **stop switch** to the ON position (see Figure 3).
2. When starting the engine, do not engage the auger drive lever.
3. Move the choke control to the FULL choke position.
4. Push the **primer button** as specified below. Remove finger from primer button between primes.
  - Push two times if temperature is 15° F (-9° C) or higher.
  - Push four times if temperature is below 15° F (-9° C).
5. Slowly pull the **recoil starter handle** until resistance is felt and then pull rapidly to start the engine (See Figure 7). Do not allow the **recoil starter handle** to snap back. Slowly return the **recoil starter handle**.

## OPERATION

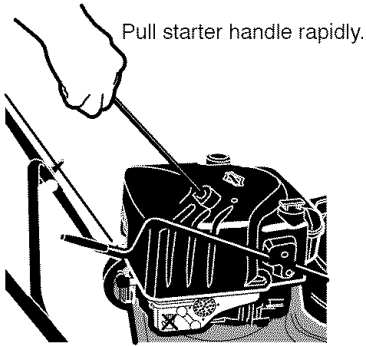


Figure 7

6. As the engine warms up, move **choke control** to 1/2 choke position. When engine runs smoothly, move **choke lever** to OFF Position.

**NOTE:** Allow the engine to warm up for several minutes before blowing snow in temperatures below 0°F.

### How To Start A Warm Engine

If restarting a warm engine after a short shutdown, leave choke at "OFF" and do not push the primer button. If the engine fails to start, follow the Cold Start instructions.

### FROZEN STARTER

If the starter is frozen and will not turn the engine, follow the steps below.

1. Pull as much starter rope as possible out of the starter.
2. Release the starter handle and let it snap back against the starter. Repeat until the engine starts.

Warm engines will cause condensation in cold weather. To prevent possible freeze-up of recoil starter and engine controls, proceed as follows after each snow removal job.

1. With engine off, allow engine to cool for several minutes.
2. Pull starter rope very slowly until resistance is felt, then stop. Allow the starter rope to recoil. Repeat three times.
3. With the engine not running, wipe all snow and moisture from the carburetor cover in area of controls and levers. Also, move the choke control and starter handle several times.



**WARNING:** Never run engine indoors or in enclosed, poorly ventilated areas. Engine exhaust contains **CARBON MONOXIDE, AN ODORLESS AND DEADLY GAS**. Keep hands, feet, hair and loose clothing away from any moving parts on engine and snow thrower.

- Engine parts, especially the muffler, become extremely hot. Severe thermal burns can occur on contact. Allow the engine to cool before touching.
- Never allow children to operate the snow thrower. Never allow adults to operate the snow thrower without proper instruction.
- Keep the area of operation clear of all persons, particularly small children and pets.
- Never leave the snowthrower unattended while the engine is running. Anyone operating the engine or equipment must carefully read and understand the operating instructions.

## OPERATION

### HOW TO REMOVE OBJECTS FROM AUGER



**WARNING: Do not attempt to remove snow or debris that may become lodged in auger with your hands. Use a pry bar to remove snow or debris.**

- Release auger drive lever.
- Move the stop switch to the stop position to stop the engine.
- Disconnect spark plug wire.
- Do not place your hands in the auger or discharge chute. Use a pry bar to remove snow or debris.

### SNOW THROWING TIPS

1. When the handle is raised, the auger blades will engage the ground and the snow thrower will move forward. When the auger drive lever is released, the auger blades will stop. If the blades do not stop, see "How To Adjust The Auger Drive Cable" in the Service And Adjustment section.
2. Most efficient snow throwing is accomplished when the snow is removed immediately after it falls.
3. For complete snow removal, slightly overlap each previous path.
4. Whenever possible, discharge the snow down wind.
5. The distance the snow will be discharged can be adjusted by moving the discharge chute deflector. Raise the deflector for more distance or lower the deflector for less distance.
6. In windy conditions, lower the chute deflector to direct the discharged snow close to the ground where it is less likely to blow into unwanted areas.
7. For safety and to prevent damage to the snow thrower, keep the area to be cleared free of stones, toys and other foreign objects.
8. When clearing snow from crushed rock or gravel driveways, do not allow the auger blades to contact the driveway. Move the handle down to slightly raise the auger blades.
9. The forward speed of the snow thrower is dependent on the depth and weight of the snow. Experience will establish the most effective method of using the snow thrower under different conditions.

10. After each snow throwing job, allow the engine to run for a few minutes. The snow and accumulated ice will melt off the engine.
11. Clean the snow thrower after each use.
12. Remove ice, snow and debris from the entire snow thrower. Flush with water to remove all salt or other chemicals. Wipe snow thrower dry.

### DRY AND AVERAGE SNOW

1. Snow up to eight inches deep can be removed rapidly and easily by walking at a moderate rate. For snow or drifts of a greater depth, slow your pace to allow the discharge chute to dispose of the snow as rapidly as the auger receives the snow.
2. Plan to have the snow discharged in the direction the wind is blowing.

### WET PACKED SNOW

Move slowly into wet, packed snow. If the wet, packed snow causes the auger to slow down or the discharge chute begins to clog, back off and begin a series of short back and forth jabs into the snow. These short back and forth jabs, four to six inches, will "belch" the snow from the chute.

### SNOW BANKS AND DRIFTS

In snow of greater depth than the unit, use the same "jabbing" technique described above. Turn the discharge chute away from the snow bank. More time will be required to remove snow of this type than level snow.

# MAINTENANCE

## CUSTOMER RESPONSIBILITIES

SERVICE RECORDS Fill in dates as you complete regular service.	Before Each Use	Often	Every 8 Hours	Every 25 Hours	Every 50 Hours	Every 100 Hours	Each Season	Before Storage
Check Engine Oil Level	√		√					
Change Engine Oil					√			
Tighten All Screws and Nuts	√	√						
Check and Clean Spark Plug				√				
Replace Spark Plug						√		
Clean and Inspect Spark Arrestor					√			
Lubricate Chute Control Flange								√
Check Fuel	√							
Check Adjustment of Auger Control Cable				√				
Auger Drive Belt *				√				

\* Adjust after 2 to 4 hours of use.

### GENERAL RECOMMENDATIONS

The warranty on this snow thrower does not cover items that have been subjected to operator abuse or negligence. To receive full value from the warranty, the operator must maintain the snow thrower as instructed in this manual.

Some adjustments will need to be made periodically to properly maintain your snow thrower.

Maintenance, replacement, or repair of the emission control devices and systems can be performed by any non-road engine repair establishment or individual. Regular maintenance will improve the performance and extend the life of the engine.

### AFTER EACH USE

- Run the machine to clear the auger of snow.
- To prevent freezing of the auger or controls, remove all snow and slush from the snow thrower.

- Check for loose or damaged parts.
- Tighten any loose fasteners.
- Check and maintain the auger.
- Check controls to make sure they are functioning properly.
- If any parts are worn or damaged, replace immediately.

### LUBRICATION BEFORE STORAGE

Lubricate chute control flange. Lubricate flange with a clinging type grease such as Lubriplate.

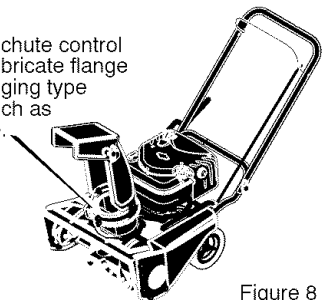


Figure 8

# MAINTENANCE

## ENGINE SPECIFICATIONS

HORSEPOWER	4 HP
DISPLACEMENT	190 cc
BORE	68mm (2.69 in.)
STROKE	52mm (2.05 in.)
GASOLINE CAPACITY	1.5 quarts (unleaded)
OIL CAPACITY (20 oz capacity)	5W30
SPARK PLUG:	Champion RJ19LM (Gap .030 in.) or equivalent
VALVE CLEARANCE:	Intake: 0.004–0.006 in. Exhaust: 0.009–0.011 in.
ARMATURE AIR GAP:	0.010–0.014 in.

## POWER RATINGS

The power ratings for an individual engine model are initially developed by starting with SAE (Society of Automotive Engineers) code J1940 (Small Engine Power & Torque Rating Procedure) (Revision 2002-05). Given both the wide array of products on which our engines are placed, and the variety of environmental issues applicable to operating the equipment, it may be that the engine you have purchased will not develop the rated horsepower when used in a piece of power equipment (actual “on-site” power). This difference is due to a variety of factors including, but not limited to, the following: differ-

ences in altitude, temperature, barometric pressure, humidity, fuel, engine lubrication, maximum governed engine speed, individual engine to engine variability, design of the particular piece of power equipment, the manner in which the engine is operated, engine run-in to reduce friction and clean out of combustion chambers, adjustments to the valves and carburetor, and other factors. The power ratings may also be adjusted based on comparisons to other similar engines utilized in similar applications, and will therefore not necessarily match the values derived using the foregoing codes.

## ADJUST AUGER CONTROL CABLE

The auger control cable was adjusted at the factory. If the auger will not engage or disengage correctly, adjust the auger control cable as follows:

1. Loosen the **nut** that holds the **cable tension spring** (See Figure 9).

2. Slide the **cable tension spring** toward the rear of the unit until all cable slack is removed.

**NOTE:** The **auger control cable** is properly adjusted when the free cable slack is removed and there is no tension on the idler arm.

3. Tighten the **nut** that holds the **cable tension spring**.

If belt stretch has occurred, move the end the **auger control cable** to the outside hole as follows:

1. Loosen the **nut** that holds the **cable tension spring** (See Figure 9).

2. Move the **cable tension spring** toward the front of the unit to achieve maximum cable slack.

3. Remove the upper end of the **auger control cable** from the **auger drive lever**.

4. Install the **auger control cable** in the hole shown in Figure 10.

5. Slide the **cable tension spring** toward the rear of the unit until all cable slack is removed.

**NOTE:** The **auger control cable** is properly adjusted when the free cable slack is removed and there is no tension on the idler arm.

6. Tighten the **nut** that holds the **cable tension spring**.

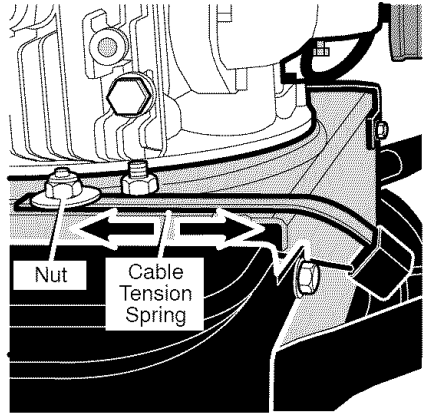


Figure 9

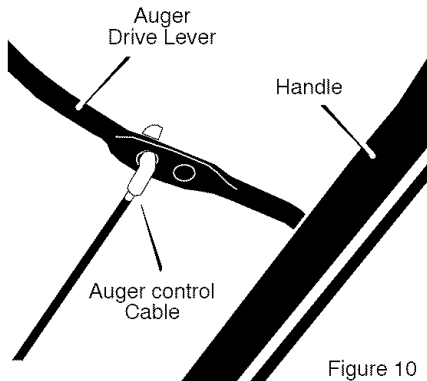


Figure 10

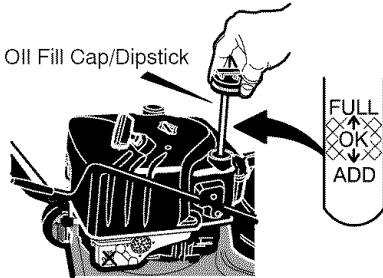


# MAINTENANCE

## ENGINE

### LUBRICATION

Check the crankcase oil level before starting the engine and after each eight (8) hours of continuous use. See Figure 11. Add S.A.E. 5W30 motor oil as needed. Synthetic 5W30 is acceptable for all temperatures. Tighten oil fill cap/dipstick securely each time you check the oil level.



**NOTE:** Oil level must be at FULL mark.

Figure 11

Change the oil every fifty (50) hours or at least once a year if the snow thrower is not used for fifty (50) hours.

### HOW TO CHANGE THE ENGINE OIL

To change the engine oil, the engine must be tilted forward and the oil drained from the oil fill tube. Change oil when the engine is warm.

### SPARK PLUG

Check the **spark plug** every twenty-five (25) hours. Replace the **spark plug** if the electrodes are pitted or burned, if the porcelain is cracked, or every 100 hours of use.

1. Make sure the **spark plug** is clean. Clean the **spark plug** by carefully scraping the electrodes (**do not sand blast or use a wire brush**).
2. Check the **spark plug** gap with a **feeler gauge** and reset gap to 0.30" if necessary. See Figure 13.

F-041067C

1. Lift the rear of the snowthrower and tilt the unit forward. In the correct position, the snowthrower will be setting on the front of the auger housing.
2. Put an **oil drain pan** under the **oil fill tube** (See Figure 12).

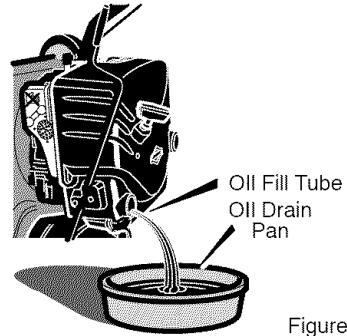


Figure 12

3. Carefully remove the oil fill cap/dipstick. Oil will begin to flow into the **oil drain pan**.
4. After all the oil has drained from the engine, set the snowthrower in the upright operating position.
5. Fill the engine with S.A.E. 5W30 oil. Make sure the oil reaches the FULL mark on the oil fill cap/dipstick. **DO NOT OVERFILL.**

**NOTE:** For extreme cold operating conditions of 0°F and below, use a partial synthetic 5W30 motor oil for easier starting.

3. Before installing the **spark plug**, coat the threads lightly with oil for easy removal. Tighten the spark plug to a torque of 15 foot-pounds.

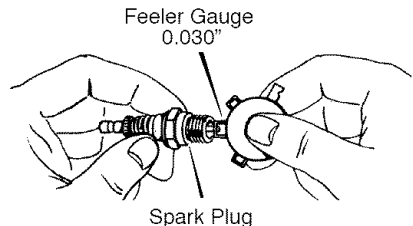


Figure 13

## SERVICE AND ADJUSTMENT

### HOW TO REMOVE THE TOP COVER

There are no adjustments under the top cover. To clean the engine cooling system, follow the steps below to remove the cover.

1. Remove screws **A** that attach the rod support clamp the the **top cover**. Pivot **crank assembly rod** up and lay on unit.
2. Remove screws **B**.
3. Remove attachment screws **C**.
4. Remove the **top cover**.
5. To install the **top cover**, reverse the above steps.

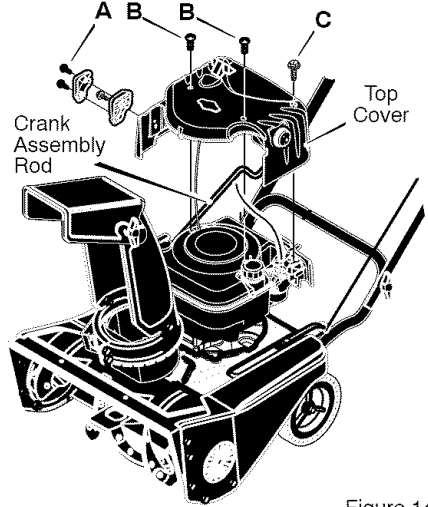


Figure 14

### HOW TO REMOVE THE BELT COVER

1. Remove the screws **A** and nuts **B** from the **belt cover**.
2. Remove attachment screw **C** from the rear of the **belt cover**.
3. Remove the **belt cover** from the unit.

4. To install the **belt cover**, reverse the above steps.

**NOTE:** The belt cover has belt guides moulded onto the inside of the cover. When you install the belt cover, engage the auger drive lever to tighten the belt against the pulley. This will provide adequate clearance for the belt guides when installing the belt cover.

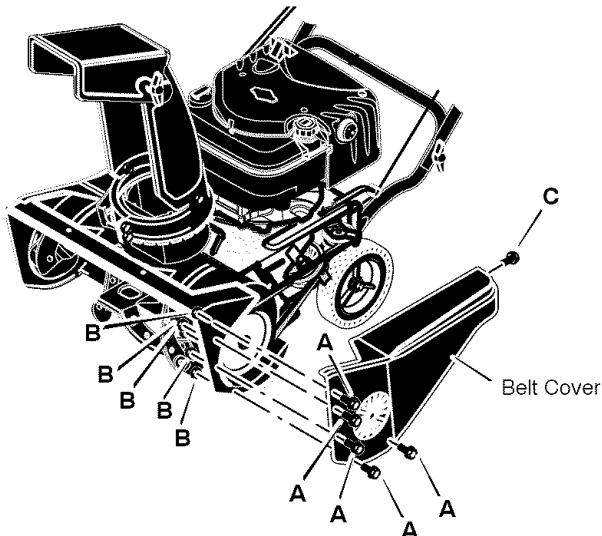


Figure 15

## SERVICE AND ADJUSTMENT

### HOW TO ADJUST THE AUGER BRAKE

The auger brake is adjusted at the factory to assure safe operation of the snowthrower. If the auger brake needs an adjustment, follow the steps below:

1. To access the auger brake, tilt the front of the unit up.
2. Make sure the auger drive belt is properly installed. See "How To Remove The Auger Drive Belt".
3. Turn the **adjuster nut** (See Figure 16) in or out until the **brake arm** is in contact with the **auger drive belt** (See Figure 17).
4. Hold the auger drive lever in the engaged position and push the **brake arm** down to remove all slack.
5. In correct adjustment, there will be **1/4 inch** clearance between the **brake arm** and the **auger drive belt** when the auger drive lever is engaged (See Figure 17).

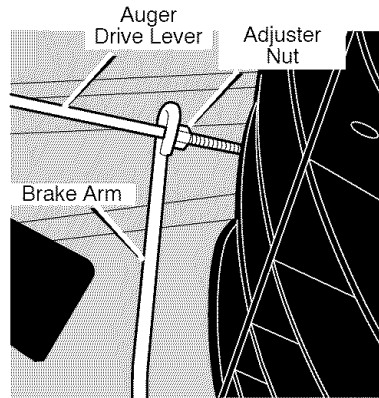


Figure 16

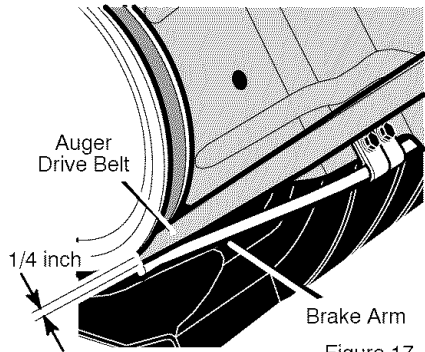


Figure 17

## SERVICE AND ADJUSTMENT

### HOW TO REMOVE THE AUGER DRIVE BELT

The auger drive belt is made of special construction and must be replaced with an original equipment belt available from Sears.

If the auger drive belt is damaged, the snowthrower will not discharge snow and will not move forward. Replace the damaged belt as follows:

1. Disconnect the spark plug wire.
2. Remove the belt cover. See "How To Remove The Belt Cover".
3. Note the path of the **auger drive belt**. For assistance, a diagram decal is provided.
4. Remove the **belt guide screw** and the **belt guide** (See Figure 18). To remove the **belt guide**, rotate the **belt guide** down.
5. Remove the **idler screw** and **idler pulley** from the **idler arm** (See Figure 19).
6. Remove the **auger drive belt** from the engine pulley and pull through side of motor box (See Figure 20).
7. To remove the **auger drive belt** from the **impeller pulley**, move the idler arm to the engaged position. This will provide **clearance** between the **impeller pulley** and the **brake arm** to remove the **auger drive belt** (See Figure 21).
8. To install a new auger drive belt, reverse the above steps.
9. Check the adjustment of the auger drive cable. See "Adjust Auger Control Cable".

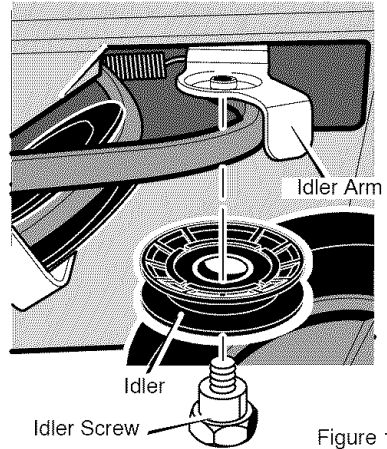


Figure 19

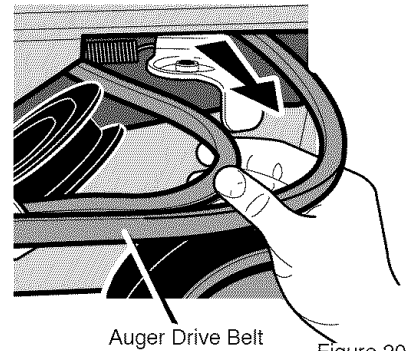


Figure 20

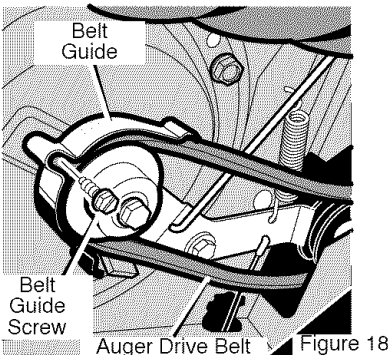


Figure 18

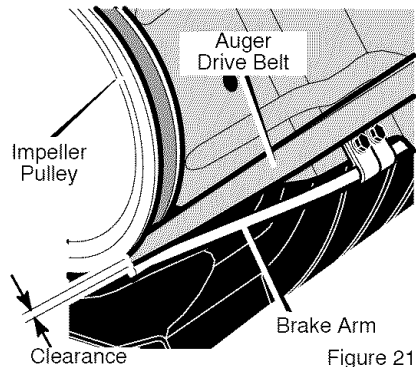


Figure 21

## SERVICE AND ADJUSTMENT

### HOW TO REMOVE THE AUGER

1. Remove the belt cover. See "How To Remove The Belt Cover".
2. Remove the auger drive belt. See "How To Remove The Auger Drive Belt" in the Service And Adjustment section.
3. Remove the **auger pulley** from the auger shaft (threads are left hand; turn clockwise to remove).
4. To keep the **auger** from rotating, set a 2"x4" piece of **wood** on the center **paddle** to secure **auger**.
5. Remove bolts **A**, washer **F**, and nuts **B** from front of right cover (See Figure 23).
6. Remove screw **C** from back of right cover.
7. Remove bolts **D** and nuts **E**.
8. Slide the **auger** out of the right side of the auger housing (See Figure 22).
9. Slide the **auger** out of the bearing on the left side of the auger housing.
10. To install the **auger**, reverse the above steps.

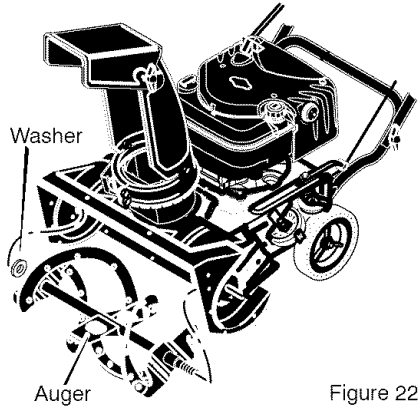


Figure 22

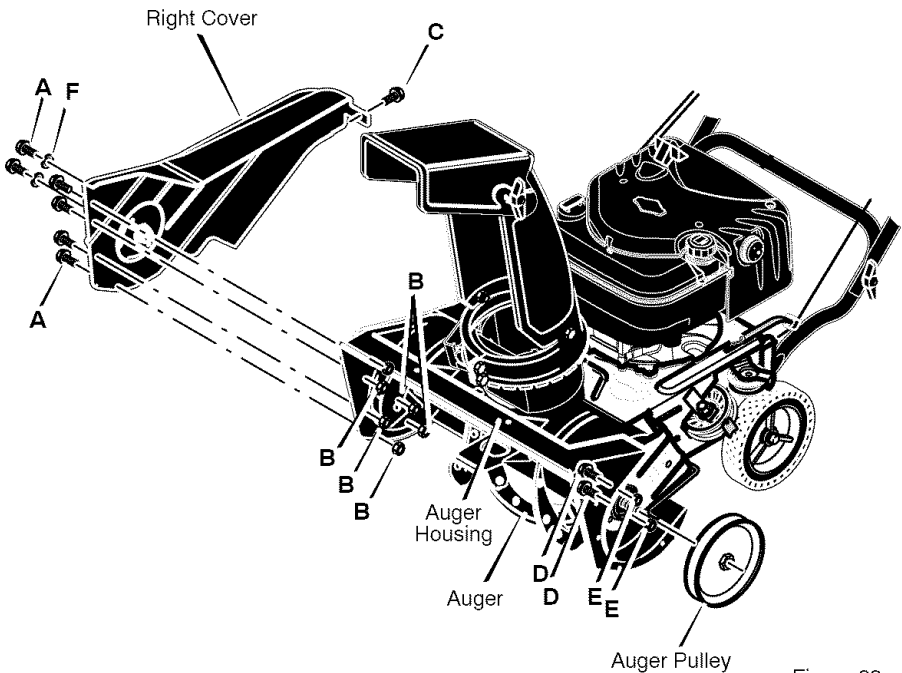


Figure 23

## STORAGE



**WARNING: Never store your snow thrower with gasoline in the fuel tank indoors or in an enclosed, poorly ventilated area. If gasoline remains in the tank, fumes may reach an open flame, spark or pilot light from a furnace, water heater, clothes dryer, cigarette, etc.**

To prevent damage (if snow thrower is not used for more than 30 days) follow the steps below.

### SNOW THROWER

1. Thoroughly clean the snow thrower.
2. Lubricate all lubrication points. See the **Maintenance** section.
3. Be sure that all nuts, bolts and screws are securely fastened. Inspect all visible moving parts for damage, breakage and wear. Replace if necessary.
4. Touch up all rusted or chipped paint surfaces; sand lightly before painting.
5. Cover the bare metal parts of the blower housing auger and the impeller with rust preventative, such as a spray lubricant.

**NOTE:** A yearly checkup or tune-up by a Sears service center is a good way of ensuring that your snow thrower will provide maximum performance for the next season.

### ENGINE

Gasoline must be removed or treated to prevent gum deposits from forming in the fuel tank, filter, hose, and carburetor during storage. Also, during storage alcohol blended gasoline that uses ethanol or methanol (sometimes called gasohol) attracts water. It acts on the gasoline to form acids which damage the engine.

1. Run the engine until the fuel tank is empty and the engine stops.

2. If you do not remove the gasoline, use fuel stabilizer supplied with unit or purchase Craftsman Fuel Stabilizer No. 3550. Add fuel stabilizer to any gasoline left in the tank to minimize gum deposits and acids. If the fuel tank is almost empty, mix stabilizer with fresh gasoline in a separate container and add some to the fuel tank.
3. Always follow the instructions on the stabilizer container. After the stabilizer is added to the fuel tank, run the engine at least ten minutes to allow the mixture to reach the carburetor.
4. While the engine oil is warm, change the engine oil.
5. Remove the spark plug and pour about 15 ml (1/2 oz) of engine oil into the cylinder. Replace the spark plug and crank slowly to distribute the oil.



**WARNING: Do not crank engine with spark plug removed.**

6. Store in a clean and dry area, but NOT near a stove, furnace or water heater which uses a pilot light or any device that can create a spark.

### OTHER

1. If possible, store your snow thrower indoors and cover it to give protection from dust and dirt.
2. If the snow thrower must be stored outdoors, put the snow thrower on blocks to raise it off of the ground.
3. Cover the snow thrower with a suitable protective cover that does not retain moisture. Do not use plastic.

**IMPORTANT:** Never cover snow thrower while engine and exhaust areas are still warm.

## TROUBLESHOOTING

TROUBLE	CAUSE	CORRECTION
<b>Difficult starting</b>	Defective spark plug.	Replace spark plug.
	Water or dirt in fuel system.	Drain and clean the fuel tank. Refill with fresh fuel.
<b>Engine runs erratically</b>	Blocked fuel line, empty gas tank, or stale gasoline.	Clean fuel line; check fuel supply; add fresh gasoline
<b>Engine stalls</b>	Unit running on CHOKE.	Set choke lever to run or off position.
<b>Engine runs erratically; Loss of power</b>	Water or dirt in fuel system.	Drain and clean the fuel tank. Refill with fresh fuel.
<b>Excessive vibration</b>	Damaged auger assembly	Repair or replace the auger assembly.
	Loose parts. Damaged impeller.	Immediately stop engine. Remove ignition key. Tighten all fasteners and make all necessary repairs. If vibration continues, take the unit to a Sears service center.
<b>Unit fails to propel itself</b>	Drive belt loose or damaged.	Replace drive belt.
	Incorrect adjustment of auger drive cable	Adjust auger drive cable.
<b>Unit fails to discharge snow</b>	Auger drive belt loose or damaged.	Adjust auger drive belt; replace if damaged.
	Auger control cable not adjusted correctly.	Adjust auger control cable.
	Discharge chute clogged.	Stop engine immediately and disconnect spark plug wire. Clean discharge chute and inside of auger housing.
	Foreign object lodged in auger	Stop engine immediately and disconnect spark plug wire. Remove object from auger.

**Sears, Roebuck and Co., U.S.A. (Sears), the California Air Resources Board (CARB) and the United States Environmental Protection Agency (U.S. EPA) Emission Control System Warranty Statement (Owner's Defect Warranty Rights and Obligations)**

EMISSION CONTROL WARRANTY COVERAGE IS APPLICABLE TO CERTIFIED ENGINES PURCHASED IN CALIFORNIA IN 1995 AND THEREAFTER, WHICH ARE USED IN CALIFORNIA, AND TO CERTIFIED MODEL

YEAR 1997 AND LATER ENGINES WHICH ARE PURCHASED AND USED ELSEWHERE IN THE UNITED STATES (AND AFTER JANUARY 1, 2001 IN CANADA).

**California and United States Emission Control Defects Warranty Statement**

The California Air Resources Board (CARB), U.S. EPA and Sears are pleased to explain the Emission Control System Warranty on your model year 2000 and later small off-road engine (SORE). In California, new small off-road engines must be designed, built and equipped to meet the State's stringent anti-smog standards. Elsewhere in the United States, new non-road, spark-ignition engines certified for model year 1997 and later must meet similar standards set forth by the U.S. EPA. Sears must warrant the emission control

system on your engine for the periods of time listed below, provided there has been no abuse, neglect or improper maintenance of your small off-road engine.

Your emission control system includes parts such as the carburetor, air cleaner, ignition system, muffler and catalytic converter. Also included may be connectors and other emission related assemblies. Where a warrantable condition exists, Sears will repair your small off-road engine at no cost to you including diagnosis, parts and labor.

**Sears Emission Control Defects Warranty Coverage**

Small off-road engines are warranted relative to emission control parts defects for a period of two years, subject to provi-

sions set forth below. If any covered part on your engine is defective, the part will be repaired or replaced by Sears.

**Owner's Warranty Responsibilities**

As the small off-road engine owner, you are responsible for the performance of the required maintenance listed in your Operating and Maintenance Instructions. Sears recommends that you retain all your receipts covering maintenance on your small off-road engine, but Sears cannot deny warranty solely for the lack of receipts or for your failure to ensure the performance of all scheduled maintenance.

As the small off-road engine owner, you should however be aware that Sears may deny you warranty coverage if your small off-road engine or a part has failed due to abuse, neglect, improper maintenance or

unapproved modifications.

You are responsible for presenting your small off-road engine to an Authorized Sears Service Dealer as soon as a problem exists. The undisputed warranty repairs should be completed in a reasonable amount of time, not to exceed 30 days.

If you have any questions regarding your warranty rights and responsibilities, you should contact a Sears Service Representative at 1-800-469-4663.

The emission warranty is a defects warranty. Defects are judged on normal engine performance. The warranty is not related to an in-use emission test.

**Sears Emission Control Defects Warranty Provisions**

The following are specific provisions relative to your Emission Control Defects Warranty Coverage. It is in addition to the Sears engine warranty for non-regulated engines found in the Operating and Maintenance Instructions.

**1. Warranted Parts**

F-041067C

Coverage under this warranty extends only to the parts listed below



(the emission control systems parts) to the extent these parts were present on the engine purchased.

- a. Fuel Metering System
    - Cold start enrichment system
    - Carburetor and internal parts
    - Fuel Pump
  - b. Air Induction System
    - Air cleaner
    - Intake manifold
  - c. Ignition System
    - Spark plug(s)
    - Magneto ignition system
  - d. Catalyst System
    - Catalytic converter
    - Exhaust manifold
    - Air injection system or pulse valve
  - e. Miscellaneous Items Used in Above Systems
    - Vacuum, temperature, position, time sensitive valves and switches
    - Connectors and assemblies
2. Length of Coverage

Sears warrants to the initial owner and each subsequent purchaser that the Warranted Parts shall be free from defects in materials and workmanship which caused the failure of the Warranted Parts for a period of two years from the date the engine is delivered to a retail purchaser.
  3. No Charge

Repair or replacement of any Warranted Part will be performed at no charge to the owner, including diagnostic labor which leads to the determination that a Warranted Part is defective, if the diagnostic work is performed at an Authorized Sears

Service Dealer. For emissions warranty service contact your nearest Authorized Sears Service Dealer as listed in the "Yellow Pages" under "Engines, Gasoline," "Gasoline Engines," "Lawn Mowers," or similar category.

4. Claims and Coverage Exclusions

Warranty claims shall be filed in accordance with the provisions of the Sears Engine Warranty Policy. Warranty coverage shall be excluded for failures of Warranted Parts which are not original Sears parts or because of abuse, neglect or improper maintenance as set forth in the Sears Engine Warranty Policy. Sears is not liable to cover failures of Warranted Parts caused by the use of add-on, non-original, or modified parts.
5. Maintenance

Any Warranted Part which is not scheduled for replacement as required maintenance or which is scheduled only for regular inspection to the effect of "repair or replace as necessary" shall be warranted as to defects for the warranty period. Any Warranted Part which is scheduled for replacement as required maintenance shall be warranted as to defects only for the period of time up to the first scheduled replacement for that part. Any replacement part that is equivalent in performance and durability may be used in the performance of any maintenance or repairs. The owner is responsible for the performance of all required maintenance, as defined in the Sears Operating and Maintenance Instructions.
6. Consequential Coverage

Coverage hereunder shall extend to the failure of any engine components caused by the failure of any Warranted Part still under warranty.

In the USA and Canada, a 24 hour hot line, **1-800-469-4663**, has a menu of pre-recorded messages offering you engine maintenance information.

## Look For Relevant Emissions Durability Period and Air Index Information On Your Engine Emissions Label

Engines that are certified to meet the California Air Resources Board (CARB) Tier 2 Emission Standards must display information regarding the Emissions Durability Period and the Air Index. Sears, Roebuck and Co., U.S.A. makes this information available to the consumer on our emission labels.

The **Emissions Durability Period** describes the number of hours of actual running time for which the engine is certified to be emissions compliant, assuming proper maintenance in accordance with the Operating & Maintenance Instructions. The following categories are used:

**Moderate:** Engine is certified to be emission compliant for 125 hours of actual engine running time.

**Intermediate:** Engine is certified to be emission compliant for 250 hours of actual engine running time.

**Extended:** Engine is certified to be emission compliant for 500 hours of actual engine running time.

For example, a typical walk-behind lawn mower is used 20 to 25 hours per year. Therefore, the **Emissions Durability Period** of an engine with an **intermediate** rating would equate to 10 to 12 years.

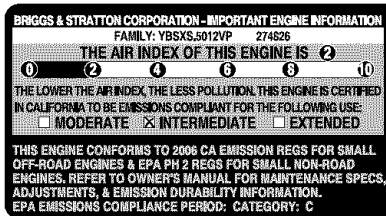
The **Air Index** is a calculated number describing the relative level of emissions for a specific engine family. The lower the **Air Index**, the cleaner the engine. This information is displayed in graphical form on the emissions label.

## After July 1, 2000, Look For Emissions Compliance Period On Engine Emissions Compliance Label

After July 1, 2000 certain Sears, Roebuck and Co., U.S.A. engines will be certified to meet the United States Environmental Protection Agency (USEPA) Phase 2 emission standards. For Phase 2 certified engines, the Emissions Compliance Period referred to on the Emissions Compliance label indicates the number of operating hours for which the engine has been shown to meet Federal emission requirements. For engines less than 225 cc displacement, Category C = 125 hours, B = 250 hours and A = 500 hours. For engines of 225 cc or more, Category C = 250 hours, B = 500 hours and A = 1000 hours.

The displacement engines of Model Series 120000 is 190 cc.

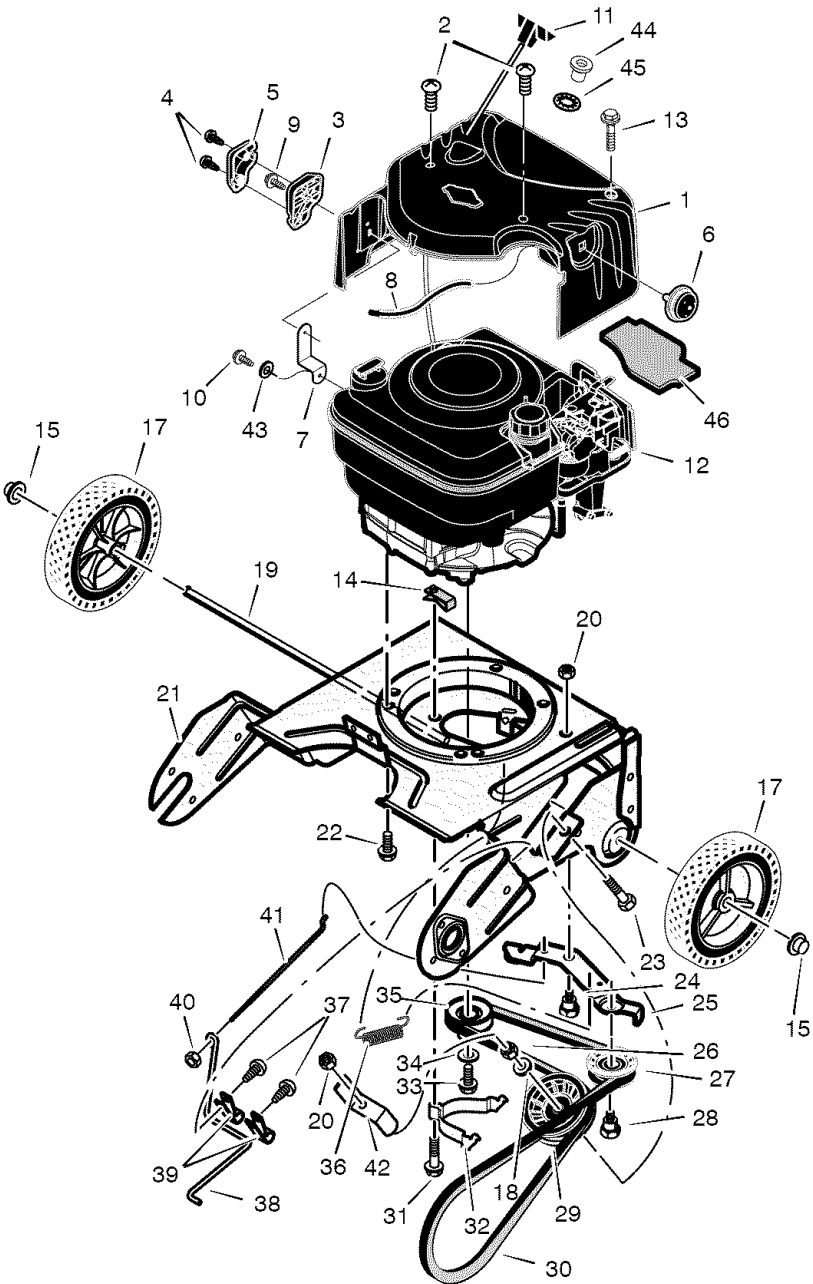
**This is a generic representation of the emission label typically found on a certified engine.**





# CRAFTSMAN 21" 4HP SNOW THROWER 536.881400

## DRIVE COMPONENTS



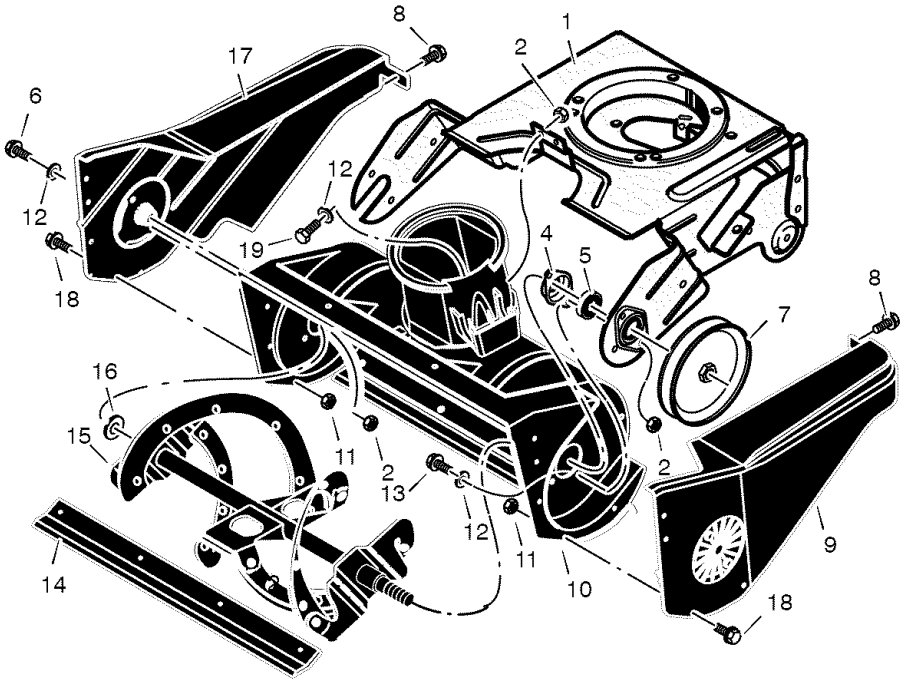
# CRAFTSMAN 21" 4HP SNOW THROWER 536.881400

## DRIVE COMPONENTS

Key No.	Part No.	Description
1	1501812	Cover, Top
2	26x316	Screw
3	1501814	Base, Chute Rod
4	26x292	Screw
5	1501815	Cover, Chute Rod
6	1501911	Primerbulb, Red
7	1501813	Bracket, Engine Chute
8	1259	Hose
9	780212	Screw
10	578408	Screw
11	1501724	Handle, Starter
12	-----	Engine
13	1x215	Bolt
14	578109	Retainer
15	711627	Nut, Push Cap
17	760713	Wheel & Tire
18	71072	Washer
19	762280	Axle
20	71111	Nut
21	1502011E549	Frame, Motor Box
22	47792	Bolt
23	71007	Bolt
24	712233	Bolt, Shoulder
25	762254	Bracket, Idler Arm
26	71044	Nut
27	762257	Pulley, V-Belt
28	762258	Bolt, Shoulder
29	762256	Pulley, Flat Idler
30	37x131	Belt
31	315312	Screw
32	762267	Guide, Belt
33	910828	Screw
34	71060	Washer
35	762255	Pulley
36	165x143	Spring
37	26X263	Screw
38	762288	Arm, Brake
39	762285	Clamp
40	312300	Nut
41	762287	Rod, Adjustment
42	762380	Guide, Belt
43	18x35	Lockwasher
44	1501919	Guide, Rope
45	28x84	Washer
46	1501920	Seal, Foam
—	F-041067C	Book, Instruction

# CRAFTSMAN 21" 4HP SNOW THROWER 536.881400

## AUGER COMPONENTS

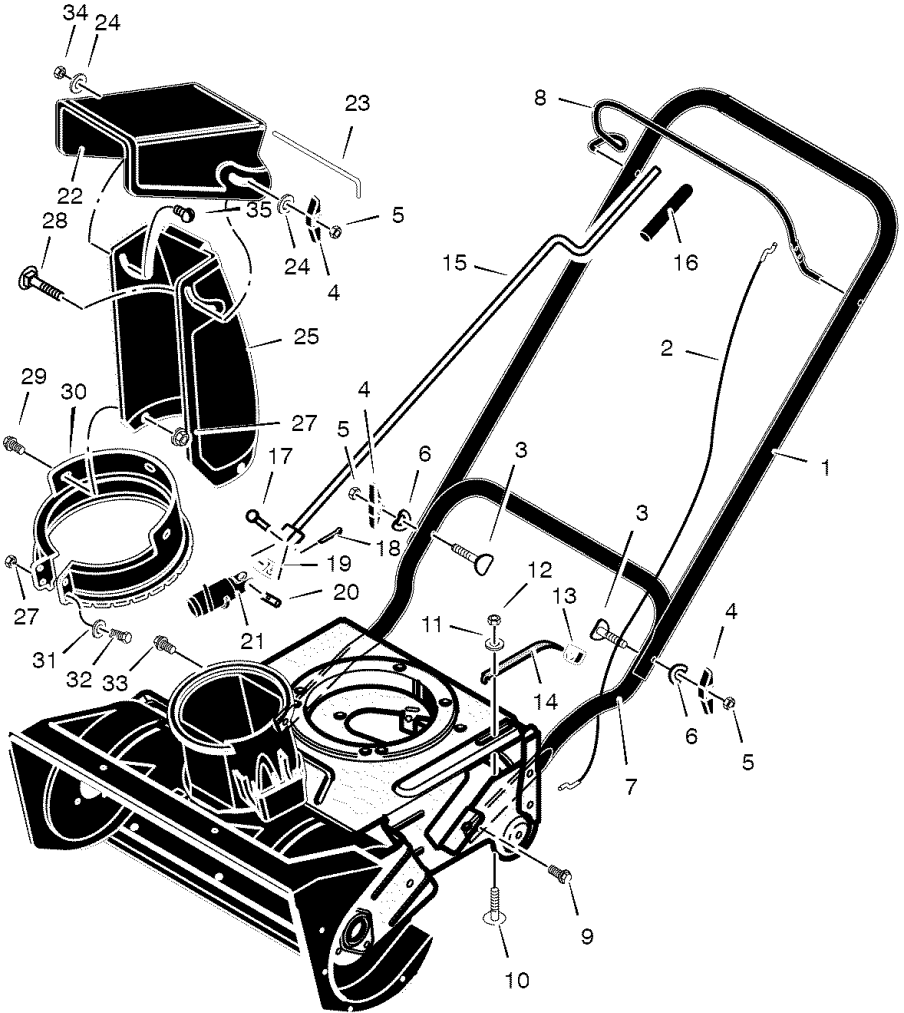


**CRAFTSMAN 21" 4HP SNOW THROWER 536.881400  
AUGER COMPONENTS**

<b>Key No.</b>	<b>Part No.</b>	<b>Description</b>
1	1502011E549	Frame, Motor Box
2	15X143	Nut
4	580251	Retainer, Bearing
5	43846	Bearing
6	302628	Bolt
7	338965	Pulley, Auger
8	26x263	Screw
9	762277	Cover, Left Belt
10	1501927	Assembly, Auger Housing
11	312300	Nut
12	71067	Washer
13	579052	Bolt
14	55323	Blade, Scraper
15	327072	Auger Assembly
16	580969	Washer
17	762278	Cover, Right
18	12342	Screw
19	302628	Screw

# CRAFTSMAN 21" 4HP SNOW THROWER 536.881400

## HANDLE & DISCHARGE COMPONENTS





**CRAFTSMAN 21" 4HP SNOW THROWER 536.881400**  
**HANDLE & DISCHARGE COMPONENTS**

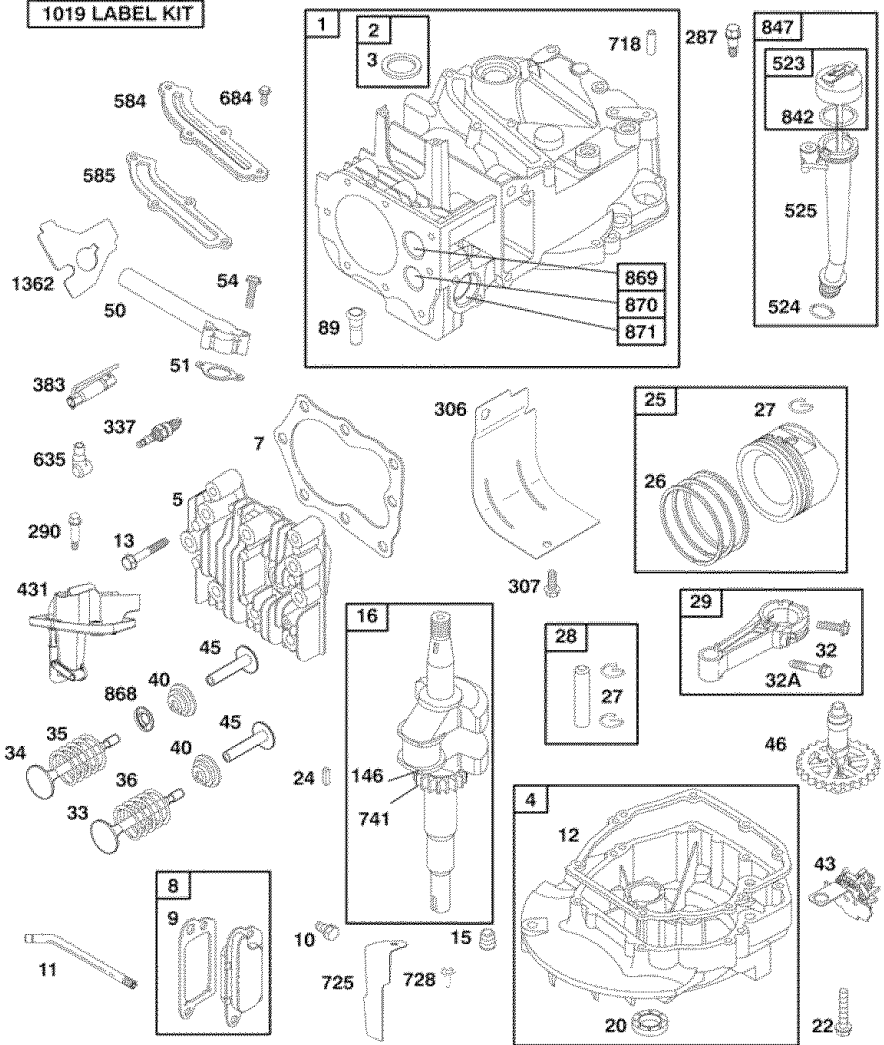
<b>Key No.</b>	<b>Part No.</b>	<b>Description</b>
1	762252E701	Handle, Upper
2	762259	Cable, Auger Drive
3	337584	Bolt
4	57171	Knob
5	71037	Nut
6	311936	Washer
7	762250E701	Handle, Lower
8	762251E701	Lever, Auger Drive
9	70984	Screw
10	340715	Bolt
11	712123	Washer
12	780029	Nut
13	762281	Bushing, Tensioner
14	762282	Bracket, Cable Tensioner
15	762362	Rod, Crank
16	762289	Grip, Crank Rod
17	578309	Pin, Clevis
18	579493	Pin, Cotter
19	578063	Block, Universal Pivot
20	578060	Pin
21	585196	Gear, Worm
22	325847	Deflector
23	308931	Pin, Pivot
24	71071	Washer
25	334234	Chute, Discharge
27	15X143	Nut
28	302843	Bolt
29	313686	Bolt
30	1501846	Ring, Chute
31	71067	Washer
32	302628	Bolt
33	70984	Bolt
34	71391	Locknut
35	578088	Bolt

**CRAFTSMAN 21" 4HP SNOW THROWER 536.881400**  
**DECALS**



Key No.	Part No.	Description
1	48x5550	Decal, 4hp / 21"
2	48x5536	Decal, Choke
3	48x304	Decal, Belt Instruction (inside cover)
4	761150	Decal, Auger Control Lever
5	70141	Decal, Danger Auger (Foot)
6	48x5642	Decal, Danger Chute (Hand)
7	48x5533	Decal, Briggs & Stratton
8	48x5534	Decal, Primer Bulb



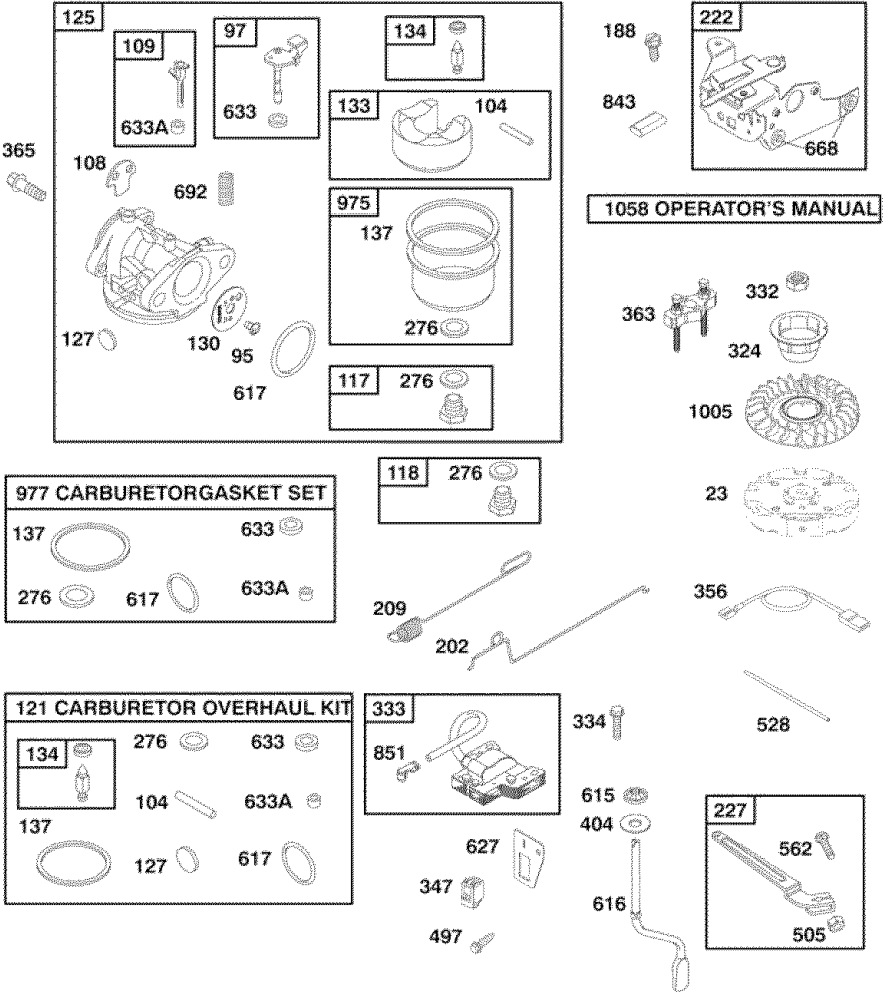


Assemblies include all parts shown in frames.

## BRIGGS & STRATTON ENGINE

## MODEL 120502-0255-E1

Key No.	Part No.	Description	Key No.	Part No.	Description
1	697322	Cylinder Assembly	40	692194	Retainer-Valve
2	399269	Kit-Bushing/Seal (Magneto Side)	43	691997	Slinger-Governor/Oil
3	*299819	Seal-Oil (Magneto Side)	45	690548	Tappet-Valve
4	493279	Sump-Engine	46	691449	Camshaft
5	691160	Head-Cylinder	50	790285	Manifold-Intake
7	*692249	Gasket-Cylinder	51	*692555	Gasket-Intake
8	695250	Tube-Breather	54	691650	Screw (Intake Manifold)
9	*699472	Gasket-Breather	89	692348	Plug-Oil
10	691125	Screw (Breather)	146	690979	Key-Timing
11	691781	Tube-Breather	287	690940	Screw (Dipstick Tube)
12	*692232	Gasket-Crankcase	290	690349	Screw (Intake Elbow)
13	690912	Screw (Cylinder Head)	306	690450	Shield-Cylinder
15	691680	Plug-Oil Drain	307	690345	Screw (Cylinder Shield)
16	790277	Crankshaft	337	802592	Plug-Spark
20	*399781	Seal-Oil (PTO Side)	383	19374	Wrench-Spark Plug
22	691092	Screw (Crankcase Cover/Sump)	431	790284	Elbow-Intake
24	222698	Key-Flywheel	523	495264	Dipstick
25	697339	Piston Assembly (Standard)	524	*692296	Seal-Dipstick Tube
		<b>Note</b> _____	525	495265	Tube-Dipstick
		697341 Piston Assembly (.020" Oversize)	584	697734	Cover-Breather
26	790360	Ring Set (Standard)	585	*691879	Gasket-Breather
		<b>Note</b> _____	635	66538	Boot-Spark Plug
		499427 Ring Set (.020" Oversize)	684	690345	Screw (Breather Cover)
27	691866	Lock-Piston Pin	718	690959	Pin-Locating
28	499423	Pin-Piston	725	790289	Shield-Heat
29	499424	Rod-Connecting	728	790282	Screw (Heat Shield)
32	691664	Screw (Connecting Rod)	741	691830	Gear-Timing
32A	695759	Screw (Conneting Rod)	842	*691031	Seal-O Ring (Dipstick Tube)
33	262651	Valve-Exhaust	847	692017	Dipstick/Tube
34	262652	Valve-Intake	868	697338	Seal-Valve
35	691270	Spring- Intake Valve	869	691155	Seat-Intake Valve
36	691270	Spring-Exhaust Valve	870	690380	Seat-Exhaust Valve
			871	262001	Bushing-Guide (Exhaust)
					<b>Note</b> _____
					63709 Bushing- Guide (Intake)
			1019	790295	Kit-Label
			1362	790288	Baffle-Intake Elbow



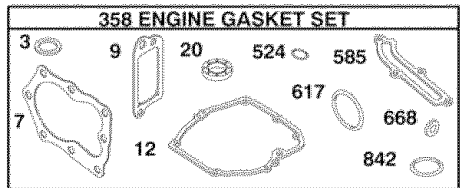
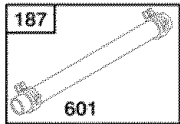
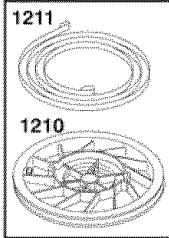
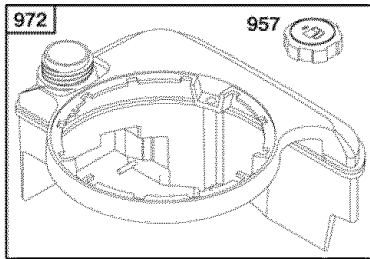
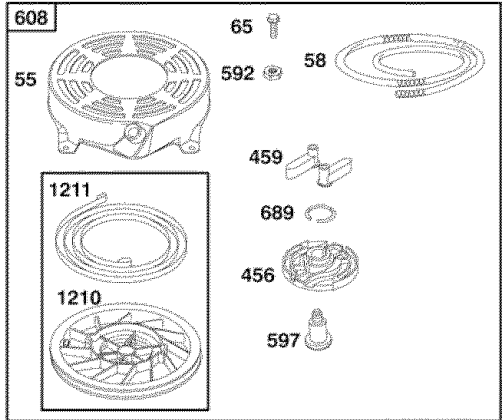
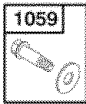
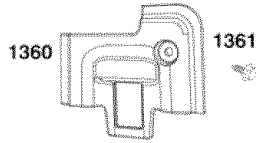
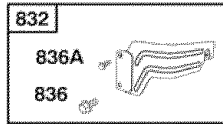
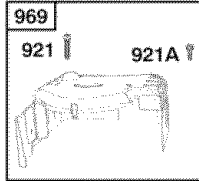
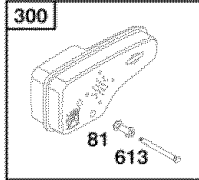
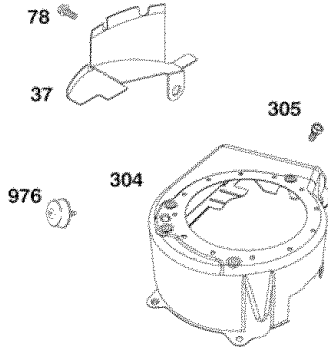
Assemblies include all parts shown in frames.

## BRIGGS & STRATTON ENGINE

## MODEL 120502-0255-E1

Key No.	Part No.	Description	Key No.	Part No.	Description
23	790536	Flywheel	347	790283	Switch-Rocker
95	691636	Screw (Throttle Valve)	356	693010	Wire-Stop
97	493267	Shaft-Throttle	363	19069	Puller-Flywheel
104	●691242	Pin-Float Hinge	365	692524	Screw (Carburetor)
108	691182	Valve-Choke	404	690272	Washer (Governor Crank)
109	498593	Shaft-Choke	497	690664	Screw (Stopswitch Bracket)
117	498975	Jet-Main (Standard)	505	691251	Nut (Governor Control Lever)
118	497348	Jet-Main (High Altitude)	528	696751	Hose-Primer
121	498260	Kit-Carburetor Overhaul	562	691119	Bolt (Governor Control Lever)
125	790276	Carburetor	615	690340	Retainer-Governor Shaft
127	●694468	Plug-Welch	616	698801	Crank-Governor
130	691203	Valve-Throttle	617★●◆270344	Seal-O Ring (Intake Manifold)	
133	398187	Float-Carburetor	627	692872	Bracket-Stopswitch
134	●398188	Kit-Needle/Seat	633●◆691321	Seal-Choke/Throttle Shaft	
137●◆693981	693399	Gasket-Float Bowl (Control Bracket)	633A●◆693867	Seal-Choke/Throttle Shaft	
188	691829	Link-Mechanical Governor	668	★493823	Spacer (Includes 2)
202	691851	Spring-Governor (Yellow)	692	690572	Spring-Detent
222	692982	Bracket-Control	843	691895	Sleeve-Lever
227	690783	Lever-Governor Control	851	493880	Terminal-Spark Plug
276●◆271716	690662	Washer-Sealing Screen/Cup Assem- bly	975	493640	Bowl-Float
324	695161	Nut (Flywheel)	977	498261	Gasket Set-Carbure- tor
332	690662	Nut (Flywheel)	1005	790035	Fan-Flywheel
333	802574	Magneto-Armature	1058	275963	Operator's Manual
334	691061	Screw (Armature Magneto)			

1036 EMISSIONS LABEL



1330 REPAIR MANUAL

Assemblies include all parts shown in frames.



## BRIGGS & STRATTON ENGINE

## MODEL 120502-0255-E1

Key No.	Part No.	Description	Key No.	Part No.	Description
3	*299819	Seal–Oil (Magneto Side)	601	95162	Clamp–Hose
7	*692249	Gasket–Cylinder Head	608	697743	Starter–Rewind
9	*699472	Gasket–Breather	613	691340	Screw (Muffler)
12	*692232	Gasket–Crankcase Cover	617*●◆	270344	Seal–O Ring (Intake Manifold)
20	*399781	Seal–Oil (PTO Side)	668	*493823	Spacer (Includes 2)
37	694086	Guard–Flywheel	689	691855	Spring–Friction
55	691421	Starter–Rewind Housing	670	692294	Spacer–Fuel Tank
58	693389	Rope–Starter (Cut to Required Length)	832	790280	Guard–Muffler
60	691915	Grip–Starter Rope	836	690664	Screw (Muffler Guard)
65	690837	Screw (Reqind Starter)	836A	690661	Screw (Muffler Guard)
78	691108	Screw (Flywheel Guard)	842	*691031	Seal–O Ring (Dipstick Tube)
81	691740	Lock–Muffler Screw	921	690700	Screw (Blower Housing Cover)
187	691050	Line–Fuel (Cut to Required Length)	921A	691135	Screw (Blower Housing Cover)
190	690940	Screw (Fuel Tank)	957	397974	Cap–Fuel Tank
300	692038	Muffler	969	790294	Cover–Blower Housing
304	790286	Housing–Blower	972	699374	Tank–Fuel
305	691108	Screw (Blower Housing)	976	790221	Primer–Carburetor
358	497316	Gasket Set–Engine	1036	697457	Label–Emissions
456	692299	Plate–Pawl Friction	1059	692311	Kit–Screw/Washer
459	281505	Pawl–Ratchet	1210	498144	Pulley/Spring Assembly (Pulley)
524	*692296	Seal–Dipstick Tube	1211	498144	Pulley/Spring Assembly (Spring)
585	*691879	Gasket–Breather Passage	1330	272147	Repair Manual
592	690800	Nut (Rewind Starter)	1360	790281	Cover–Switch
597	691696	Screw (Pawl Friction Plate)	1361	790282	Screw (Cover Switch)



## CONTENIDO

PIEZAS DE REPUESTO	28	MANTENIMIENTO	56
PIEZAS DE REPUESTO DEL MOTOR	36	SERVICIO Y AJUSTES	60
GARANTÍA	43	ALMACENAMIENTO	65
REGLAS DE SEGURIDAD	43	TABLA DE LOCALIZACIÓN Y REPARACIÓN DE AVERIAS	66
SÍMBOLOS INTERNACIONALES	46	PEDIDO DE PIEZAS/SERVICIO	72
ENSAMBLAJE	48	CUBIERTA DE ATRÁS	72
OPERACIÓN	50		

## GARANTÍA

### GARANTÍA LIMITADA DE UN AÑO PARA LA MÁQUINA QUITANIEVES DE CRAFTSMAN

Por un año a partir de la fecha de compra, siempre que a este quitanieves Craftsman se le de mantenimiento, lubricación y afinamiento de acuerdo con las instrucciones de operación y mantenimiento presentadas en el manual del propietario, Sears reparará sin cargo alguno, cualquier defecto en el material y mano de obra.

Si este quitanieves de Craftsman es usado para propósitos comerciales o de arrendamiento, esta garantía será válida solamente por 90 días a partir de la fecha de compra.

Esta garantía no cubre lo siguiente:

- Elementos fungibles los cuales se gastan durante el uso normal, tales como bujías, correas de transmisión y pasadores de seguridad.
- Reparaciones necesarias debido al abuso o negligencia del operador, incluyendo eje de cigüeñal doblado, y por no darle el mantenimiento necesario a la unidad, según lo recomendado en las instrucciones contenidas en el manual del propietario.

**EL SERVICIO DE GARANTÍA SE PUEDE OBTENER LLEVANDO EL QUITANIEVES DE CRAFTSMAN AL CENTRO DE SERVICIO SEARS MÁS CERCANO EN LOS ESTADOS UNIDOS. ESTA GARANTÍA ES VÁLIDA SÓLO CUANDO ESTE PRODUCTO ES USADO EN LOS ESTADOS UNIDOS.**

Esta garantía le otorga derechos legales específicos, y es posible que tenga otros derechos los cuales varían de estado a estado.

Sears, Roebuck and Co., D817WA, Hoffman Estates, IL 60179

## REGLAS DE SEGURIDAD



Preste atención a este símbolo, le indica precauciones de seguridad importantes. Significa—¡¡¡ATENCIÓN!!! ¡¡¡ESTE ALERTA!!! Se trata de su seguridad.

### **ADVERTENCIA**

Las emanaciones de escape producidas por este motor y ciertos componentes de esta máquina contienen químicos reconocidos por el Estado de California como carcinógenos, también pueden producir defectos en los recién nacidos o causar otros daños al sistema reproductivo.

Los bornes, terminales y accesorios relacionados con la batería contienen plomo y compuestos del plomo, además de sustancias químicas que el Estado de California reconoce que estos compuestos pueden causar cáncer y defectos como carcinógenas, además estas sustancias pueden producir daños congénitos, a los bebés y además de otros daños al sistema reproductivo humano. **DEBE LAVARSE MUY BIEN LAS MANOS DESPUÉS DE MANIPULAR ESTOS COMPONENTES.**



### **ADVERTENCIA:**

**Siempre desconecte el cable de la bujía y colóquelo alejado de ésta para prevenir un arranque accidental durante la preparación mantenimiento o almacenamiento del quitanieves.**

**IMPORTANTE:** Para prevenir lesiones, las normas de seguridad exigen controles en la unidad que sólo puedan ser manejados en presencia del operador. Su quitanieves está equipado con dichos controles. Por ningún motivo intente pasar por alto la función del control en presencia del operador.

## CAPACITACIÓN

1. Lea con atención las instrucciones en el manual de operación y servicio. Familiarícese completamente con los controles y el uso apropiado del quitanieves. Aprenda a detener el quitanieves y a desenganchar rápidamente los controles.
2. Nunca permita a niños operar el quitanieves. Nunca permita que adultos operen el quitanieves sin la instrucción apropiada.
3. Mantenga el área libre de personas, especialmente niños pequeños y mascotas.
4. Tenga mucho cuidado para evitar resbalones o caídas, especialmente cuando esté retrocediendo.

## PREPARACIÓN

1. Inspeccione completamente el área donde se usará el quitanieves y retire todas las esteras, trineos, tableros, cables, y otros objetos extraños.
2. Desenganche todos los embragues antes de hacer arrancar el motor.
3. No opere el quitanieves sin vestir prendas de invierno adecuadas para trabajar a la intemperie. Vista calzado que le dé buena tracción sobre superficies resbalosas.
4. Maneje el combustible con cuidado; éste es altamente inflamable.
  - (a) Use un contenedor aprobado para combustible.
  - (b) Nunca quite la tapa del tanque de combustible ni añada combustible a un motor en marcha o a un motor caliente.
  - (c) Llene el tanque de combustible al aire libre y con mucho cuidado. Nunca llene el tanque en un recinto cerrado.
  - (d) Vuelva a colocar la tapa del tanque de combustible de manera segura, y limpie el combustible derramado.
  - (e) Nunca almacene combustible o el quitanieves con combustible en el tanque dentro de un edificio donde los vapores pudiesen alcanzar alguna llama abierta o chispas.
  - (f) Verifique que el quitanieves tenga suficiente combustible antes de cada uso, y deje un espacio adicional en el tanque puesto que el calor del motor

y/o del sol hace que el combustible se expanda.

5. Para todos los quitanieves con motores de arranque eléctrico, use cables de extensión con certificación CSA/UL. Use solamente tomacorrientes que hayan sido instalados de acuerdo con los reglamentos de inspección locales.
6. Permita que el motor y el quitanieves se ajusten a las temperaturas exteriores antes de comenzar a despejar la nieve.
7. Siempre use gafas de seguridad o protectores para los ojos durante la operación o mientras efectúa algún ajuste o reparación a la unidad, para proteger sus ojos de objetos extraños que pudiesen ser lanzados por el quitanieves.

## OPERACIÓN

1. No opere este quitanieves si está tomando medicinas que puedan causar somnolencia o afectar su habilidad para operar el quitanieves.
2. No use el quitanieves si por motivos emocionales o físicos se le dificulta manejarlo de forma segura.
3. No coloque las manos o los pies cerca o debajo de piezas en movimiento. Manténgase en todo momento a buena distancia de la abertura del tubo de descarga.
4. Tenga mucho cuidado al operar el quitanieves en o a través de entradas de autos, senderos o caminos de grava. Manténgase alerta de peligros ocultos o tráfico.
5. Si golpea un objeto extraño, pare el motor, desconecte el cable de la bujía, inspeccione meticulosamente el quitanieves por si hubiera algún daño, y repárelo antes de arrancar el motor y operar el quitanieves nuevamente.
6. Si el quitanieves comienza a vibrar de manera excesiva, pare el motor y revíselo inmediatamente para encontrar la causa. Generalmente, la vibración es una advertencia de algún problema.
7. Pare el motor cuando deje la posición de operación, antes de desobstruir el alojamiento de la barrena/propulsor o el tubo de descarga, y cuando efectúe cualquier reparación, ajuste o inspección.
8. Cuando limpie, repare o inspeccione el quitanieves, asegúrese de que la barrena/propulsor y todas las partes móviles se encuentren detenidas, y que todos los controles estén desenganchados. Descubra

necte el cable de la bujía y manténgalo alejado de la bujía para evitar un arranque accidental.

9. Tome todas las precauciones posibles al dejar el quitanieves desatendido. Desenganche la barrena/propulsor, pare el motor y retire la llave.
10. No haga arrancar el motor en recintos cerrados, aún con las puertas y ventanas abiertas. Los vapores de escape son peligrosos (contienen MONÓXIDO DE CARBONO, un GAS INODORO y LETAL).
11. No use el quitanieves para limpiar áreas de terreno inclinadas (cuestas, pendientes). Tenga mucho cuidado cuando cambie de dirección. No intente limpiar pendientes muy pronunciadas.
12. Nunca opere el quitanieves sin que los resguardos, placas u otros dispositivos de seguridad se encuentren en su lugar.
13. Nunca opere el quitanieves cerca de escaparates de vidrio, automóviles, vidrieras, sitios de carga/descarga, y similares, sin el ajuste apropiado del ángulo de descarga de la nieve. Mantenga a los niños y las mascotas alejados del área que está despejando.
14. No sobrecargue la capacidad del quitanieves al intentar limpiar la nieve a una velocidad demasiado rápida.
15. Nunca opere el quitanieves a altas velocidades de transporte sobre superficies resbalosas. Mire hacia atrás y tenga cuidado al retroceder.
16. Nunca descargue directamente hacia espectadores ni permita a nadie frente al quitanieves.
17. Desenganche la fuerza motriz de la barrena/propulsor cuando el quitanieves sea transportado o no esté en uso.
18. Utilice únicamente aditamentos y accesorios aprobados por el fabricante del quitanieves (tales como cadenas para las ruedas, juegos de arranque eléctrico, etc.).
19. Nunca opere el quitanieves sin tener buena visibilidad o iluminación. Asegúrese

siempre que tiene buena estabilidad, y sujete con firmeza el mango. Camine; nunca corra.

20. No trate de alcanzar áreas difíciles. Mantenga la estabilidad y el balance en todo momento.
21. No trate de usar el quitanieves para limpiar techos.

## MANTENIMIENTO Y ALMACENAMIENTO

1. Revise los pernos con frecuencia para asegurar que estén bien apretados y que el quitanieves esté en condiciones seguras de funcionamiento.
2. Guarde el quitanieves a una distancia de fuentes de ignición o de aparatos domésticos que tengan llamas de encendido, tales como calentadores de agua y estufas, secadoras de ropa, etc. Permita que el motor se enfríe antes de guardar el quitanieves en cualquier recinto.
3. Si va a almacenar el quitanieves por un período prolongado, siempre consulte las instrucciones del manual del operador donde encontrará consejos importantes.
4. Mantenga o reemplace las etiquetas de seguridad e instrucciones, según sea necesario.
5. Mantenga el quitanieves en marcha unos cuantos minutos después de despejar la nieve, para evitar que se congele la barrena/propulsor.



**ADVERTENCIA: Este quitanieves es para uso en aceras, entradas de auto y otras superficies de terreno planas. Se debe tener cuidado al usar el quitanieves en superficies inclinadas. NO USE EL QUITANIEVES EN SUPERFICIES SOBRE EL NIVEL DEL SUELO tales como techos de residencias, de garajes, porches u otras estructuras o construcciones similares.**

# SÍMBOLOS

IMPORTANTE: Muchos de estos símbolos están colocados en su quitanieves o están impresos en los manuales que vienen con el producto. Antes de operar el quitanieves aprenda y comprenda el objetivo de cada símbolo.

## Símbolos de control y operación



Despacio



Rápido



Arranque eléctrico



Arranque de motor



Motor en marcha



Motor apagado



Apagado



Encendido



Ahogador desactivado



Ahogador activado



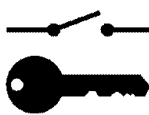
Neutro



Acelerador



Botón cebador



Llave de encendido



Ignición desactivada



Ignición activada



Embrague de propulsión



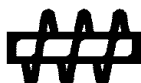
Avance



Marcha atrás



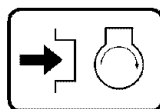
Embrague de barrena



Colector de barrena



Enganchar



Oprima para accionar el arranque eléctrico.



Transmisión

## Símbolos de control y operación

Combustible



Aceite



Mezcla de combustible  
y aceite



Descarga hacia  
ABAJO



Descarga hacia  
ARRIBA



Descarga hacia la  
IZQUIERDA



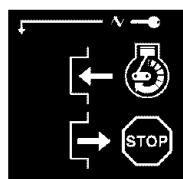
Descarga hacia la  
DERECHA



Transferencia de peso  
Levante el mango  
para enganchar.



Transferencia de peso  
Presione el pedal  
para desenganchar.

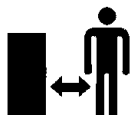


Llave de encendido  
Insertar para marcha,  
Retirar para parar.

## Símbolos de advertencia de seguridad



**PELIGRO**  
Objetos lanzados.  
Mantenga alejados a  
los transeúntes.



**PELIGRO**  
Objetos lanzados.  
Mantenga alejados a  
los transeúntes.



**ADVERTENCIA**



**IMPORTANTE**  
Lea el manual del  
propietario antes de  
operar esta máquina.



**PELIGRO**  
Evite las lesiones que puede  
causar la barrena rotatoria.  
Mantenga las manos, los pies y  
la ropa fuera de su alcance.



**PELIGRO**  
Pare el motor  
antes de desatascar  
el tubo de descarga.



**ADVERTENCIA**  
Superficie caliente



**PARE**

# ENSAMBLAJE

## Contenido de la bolsa con las partes (tamaño real)

- 1 – Manual del propietario (no se muestra)
- 1 – Paquete estabilizador de combustible (no se muestra)



1 – Botella de aceite 5W30



**ADVERTENCIA:** Use siempre gafas protectoras o protectores para los ojos, durante el ensamble del quitanieves.

## HERRAMIENTAS NECESARIAS

- 1 – Navaja para cortar cartón

La Figura 1 muestra el quitanieves en la posición de operación.

Las referencias sobre el lado derecho o el lado izquierdo de la unidad, son hechas desde el punto de vista del operador si éste se encuentra parado detrás de la unidad.

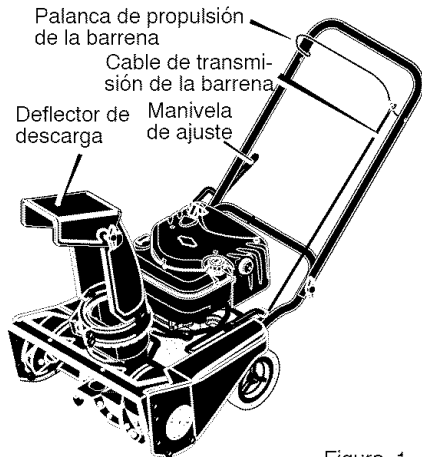


Figura 1

## CÓMO SACAR EL QUITANIEVES DE LA CAJA

- 1. Localice y retire la botella de aceite de motor Craftsman 5W30.

- 2. Localice todas las piezas empacadas por separado y sáquelas de la caja.  
**NOTA:** Coloque el estabilizador de combustible en un lugar seguro hasta que se necesite para almacenar la unidad.
- 3. Retire y descarte todo el material de empaque alrededor de la unidad.
- 4. Corte cada una de las cuatro esquinas de la caja desde la parte superior hasta el fondo y despliegue los paneles en el suelo.
- 5. Afloje las perillas que sujetan el mango superior al mango inferior (vea la Figura 2). Levante el mango superior a la posición de operación. Apriete las perillas.
- 6. Haga rodar el quitanieves fuera de la caja, jalando del mango inferior. **PRECAUCIÓN:** NO retroceda sobre los cables.
- 7. Remueva el material de empaque del mango superior e inferior. Desmonte el inserto inferior del eje.

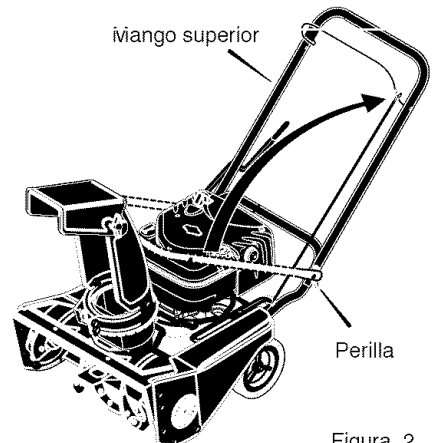


Figura 2



## ENSAMBLAJE

### ✓ LISTA DE REVISIÓN

Antes de operar su nuevo quitanieves, y para asegurar que obtenga el mejor rendimiento y la mayor satisfacción de este producto de calidad, por favor haga un repaso de la siguiente lista de revisión:

- ✓ Se han completado todas las instrucciones de ensamblado.
- ✓ El tubo de descarga gira libremente.
- ✓ No quedan piezas sueltas en la caja de cartón.

Al mismo tiempo que aprende a usar su qui-

tanieves, preste mucha atención a los detalles siguientes:

- ✓ El aceite del motor está al nivel adecuado. Use un aceite detergente de alta calidad clasificado como "Para servicio SG, SH, SJ, SL o superior".
- ✓ Asegúrese que el tanque de gasolina esté lleno con gasolina limpia, fresca y sin plomo con un octanaje mínimo de 85.
- ✓ Familiarícese con todos los controles, su ubicación y función. Opere los controles antes de hacer arrancar el motor.

# OPERACIÓN

## CONOZCA SU QUITANIEVES

LEA ESTE MANUAL DE INSTRUCCIONES Y LAS REGLAS DE SEGURIDAD ANTES DE OPERAR SU QUITANIEVES. Compare las ilustraciones con su QUITANIEVES para familiarizarse con la ubicación de los diversos controles y ajustes. Guarde este manual para referencia futura.

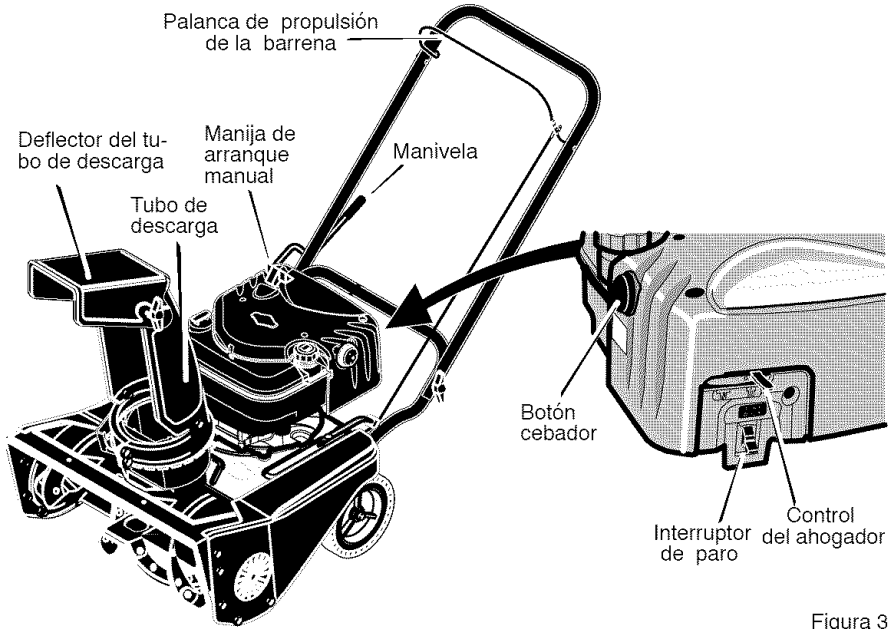


Figura 3

**Palanca de propulsión de la barrena** – Acciona y detiene la barrena.

**Manivela de ajuste** – Cambia la dirección de la descarga de nieve.

**Deflector del tubo de descarga** – Cambia la distancia del lanzamiento de la nieve.

**Tubo de descarga** – Cambia la dirección en que se lanza la nieve.

**Interruptor de paro** – Debe moverse a la posición de encendido para arrancar el motor.

**Manija de arranque manual** – Arranca el motor manualmente.

**Control del ahogador** – Se usa para arrancar un motor frío.

**Botón de cebado** – Inyecta el combustible directamente en el carburador o distribuidor para un arranque rápido en temperaturas frías.

# OPERACIÓN



**ADVERTENCIA:** Lea el manual del propietario antes de operar la máquina. Nunca dirija la descarga hacia los transeúntes. Pare el motor antes de desobstruir el tubo de descarga o el alojamiento de la barrena, y antes de dejar la máquina.

## PARA PARAR LA DESCARGA DE NIEVE

1. Para parar la descarga de nieve, suelte la palanca de propulsión de la barrena. Vea la Figura 3.

**NOTA:** Si la unidad continua avanzando lentamente, consulte "Ajuste del cable de control de la barrena" en la sección de Servicio y Ajustes.

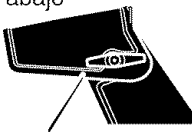
2. Para parar el motor, mueva la palanca de ignición a la posición apagado (OFF).

**PRECAUCIÓN:** Para parar el motor, no mueva el control de cebado a la posición **CHOKE**. Puede producir petardeo o daño al motor

## PARA CONTROLAR LA DESCARGA DE NIEVE

1. Gire la manivela de control del tubo de descarga para determinar la dirección de lanzamiento de la nieve.
2. Afloje la perilla de mariposa en el deflector del tubo de descarga y mueva el deflector para establecer la distancia. Mueva el deflector hacia (**ARRIBA**) para mayor distancia, hacia (**ABAJO**) para una distancia menor. Luego apriete la perilla de mariposa (vea la Figura 4).

Deflector abajo



Perilla de mariposa

Deflector arriba

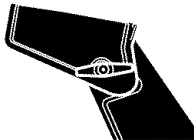


Figura 4

## CÓMO LANZAR LA NIEVE

1. Enganche la **palanca de propulsión de la barrena**.
2. Para detener la descarga de nieve, suelte la **palanca de propulsión de la barrena**.



**ADVERTENCIA:** La operación de cualquier quitanieves puede provocar que objetos extraños sean lanzados con fuerza hacia sus ojos, lo cual podría resultar en lesiones graves. Por lo tanto use siempre gafas de seguridad o protectores para los ojos cuando tenga que operar el quitanieves. Le recomendamos gafas de protección estándar o una máscara de protección de visión amplia para usar sobre sus anteojos.

## CÓMO AVANZAR

1. Sujete la **palanca de propulsión de la barrena** contra el **mango** (vea la Figura 5). La barrena comenzará a girar.
2. Para avanzar, levante el **mango** para permitir que las **hojas de caucho de la barrena** hagan contacto con el suelo. Sujete firmemente el **mango** del quitanieves a medida que éste comienza a avanzar. Guíe el quitanieves moviendo el **mango** ya sea hacia la izquierda o hacia la derecha. No intente empujar el quitanieves
3. Para detenerlo, suelte la **palanca de propulsión de la barrena**.

**NOTA:** Si la barrena continúa girando, consulte "Cómo ajustar el cable de control de la barrena" en la sección de Servicio y Ajustes.



Palanca de propulsión de la barrena

Figura 5

## OPERACIÓN

### ANTES DE HACER ARRANCAR EL MOTOR

#### ACEITE DE MOTOR:

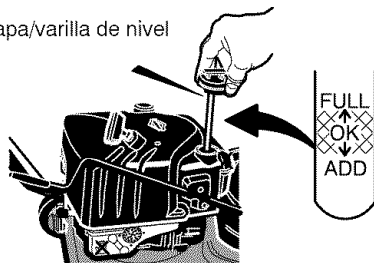
**NOTA:** Puede que el motor ya tenga algo de aceite. Revise con frecuencia al llenar el cárter. **NO LO LLENE DEMASIADO.**

Este quitanieves fue enviado con una botella de aceite para motor 5W30. Este aceite deberá ser añadido al motor antes de hacerlo arrancar.

1. Asegúrese de que la unidad se encuentre sobre una superficie nivelada.
2. Quite la tapa/varilla de nivel de aceite y llene el cárter hasta la línea "LLENO" (FULL) en la varilla de nivel. Figura 6).
3. Cada vez que revise el nivel de aceite, asegúrese de apretar bien la tapa/varilla de nivel.

**NOTA:** Se recomienda el uso de aceite sintético cuando la temperatura esté por debajo de los 32 grados. El aceite sintético 5W30 es aceptable para cualquier temperatura. **NO mezcle aceite con gasolina.**

Tapa/varilla de nivel



**NOTA:** El nivel del aceite deberá estar en la marca FULL (lleno)

Figura 6

### TIPO DE COMBUSTIBLE

Este motor ha sido certificado para funcionar con gasolina. Sistema de control de emisiones de escape: EM (Modificaciones al motor).



**ADVERTENCIA:** El combustible mezclado con alcohol (llamado gasohol o aquellos que usan etanol o metanol) pueden atraer humedad la cual conduce a la separación y formación de ácidos durante el almacenamiento. Los gases acídicos pueden dañar el sistema de combustible de un motor mientras se encuentra en almacenamiento.

**NOTA:** Para evitar problemas del motor, el sistema de combustible debe vaciarse antes de almacenar la unidad por 30 días o más. Arranque el motor y déjelo en marcha hasta que las líneas de combustible y el carburador estén vacías. Use gasolina fresca la siguiente temporada. Para obtener información adicional, consulte la sección Instrucciones para **almacenamiento** en este manual).

Nunca use productos de limpieza de motor o carburador en el tanque de combustible, de lo contrario podría causar daño permanente a la unidad.

# OPERACIÓN

1. Llene el tanque únicamente con gasolina nueva, limpia, regular sin plomo, súper sin plomo o gasolina automotor reformulada con un octanaje mínimo de 85. **NO** use gasolina con plomo. Se recomienda añadir un estabilizador de combustible a la gasolina. Use el estabilizador que viene con la unidad o compre el Estabilizador de Combustible No. 3550 de Craftsman. Asegúrese de que el recipiente que contiene la gasolina a utilizar, esté limpio y sin óxido u otros residuos. Nunca use gasolina que pueda estar añeja debido a su prolongado almacenamiento.



**ADVERTENCIA:** La gasolina es inflamable y debe tener mucho cuidado al manipularla o

almacenarla.

- Apague el motor y deje que se enfríe por lo menos por dos minutos antes de quitar la tapa del tanque de combustible.
- No llene el tanque de combustible mientras el quitanieves se encuentre en marcha, cuando esté caliente, o cuando el quitanieves se encuentre en un área cerrada.
- Mantenga la unidad alejada de llamas abiertas o chispas eléctricas y no fume mientras llena el tanque de combustible.
- Nunca llene el tanque completamente, llene el tanque hasta dejar entre 1-1/2 pulgada de la parte superior para proporcionar espacio para la expansión del combustible.
- Siempre llene el tanque al aire libre y use un embudo o boquilla para prevenir el derrame.
- Asegúrese de limpiar cualquier combustible derramado antes de arrancar el motor.
- Almacene la gasolina en un contenedor, limpio y aprobado, y mantenga la tapa puesta y segura en el contenedor.

## ANTES DE ARRANCAR EL MOTOR

1. Antes de darle servicio a la unidad o de hacer arrancar el motor, familiarícese con el quitanieves. Asegúrese de entender la función y la ubicación de todos los controles.

2. Asegúrese de que todos los sujetadores estén apretados.
3. Antes de hacer arrancar el motor compruebe que todos los controles funcionan correctamente.

## CÓMO PARAR EL MOTOR

Para parar el motor, empuje el **interruptor de parada** a la posición APAGADO.

**PRECAUCIÓN:** Para parar el motor, no mueva el control de cebado a la posición CHOKE. Puede producir petardeo o daño al motor

## CÓMO HACER ARRANCAR EL MOTOR (arranque manual)

Cerciérese de que el nivel de aceite indique FULL (LLENO) en la varilla. El motor está equipado con un sistema de arranque manual. Antes de hacer arrancar el motor, asegúrese de haber leído la información siguiente:

Si el motor se ahoga, coloque el estrangulador en la posición OPEN/RUN (abierto/en marcha) y vire el motor hasta que arranque.



**ADVERTENCIA:** El rápido retroceso del cordón de arranque manual jalará su mano o brazo hacia el motor mucho más rápido de lo que usted pueda soltar el cordón de arranque manual.

- Cuando haga arrancar el motor, jale lentamente el cordón de arranque manual hasta que sienta resistencia. Entonces, dé el jalón rápido al cordón de arranque manual.
- Asegúrese de que los componentes; tales como el rotores, poleas o ruedas dentadas, estén instalados firmemente.

## Cómo hacer arrancar el motor en frío

1. Empuje el **interruptor de paro** a la posición ENCENDIDO (Figura 3).
2. Cuando esté haciendo arrancar el motor, no enganche la palanca de propulsión de la barrena.
3. Mueva el control del ahogador a la posición TOTAL. (full).
4. Oprima el **botón cebador** de la manera indicada a continuación. Entre cebados, retire el dedo del botón cebador.
  - Oprima el botón dos veces si la temperatura está 15° F (-9° C) o más.

# OPERACIÓN

- Oprima el botón cuatro veces si la temperatura se encuentra por debajo de los 15° F (-9° C).
5. Jale lentamente la **manija de arranque manual** hasta que sienta resistencia y entonces jálela rápidamente para arrancar el motor (Figura 7). No suelte la **manija** inmediatamente después de jalarla. Deje que la manija del arranque manual se enrolle lentamente.

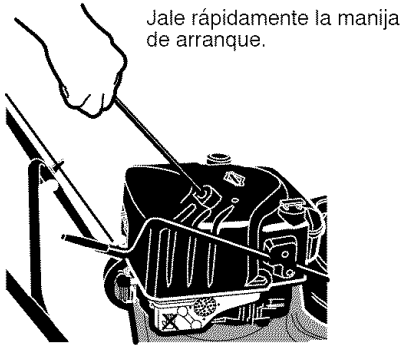


Figura 7

6. Mientras el motor se va calentando, mueva el control del ahogador a la posición "1/2" (mitad). Cuando el motor esté funcionando de manera uniforme, mueva la palanca del ahogador a la posición **APAGADO**.

**NOTA:** En temperaturas inferiores a los 0° F (18° C), deje que el motor se caliente por algunos minutos antes de comenzar a remover y arrojar nieve.

## Cómo hacer arrancar un motor caliente

Si está arrancando un motor caliente después de haberlo apagado por un periodo corto, deje el ahogador en "APAGADO" (OFF) y no oprima el botón cebador.

## ARRANQUE CONGELADO

Si el motor de arranque está congelado y no enciende el motor, siga los pasos siguientes.

1. Jale tanta cuerda del motor de arranque como sea posible.
2. Suelte la manija de arranque manual y déjela enrollarse con fuerza contra el motor de arranque. Repita hasta que logre encender el motor.

Cuando hace frío, un motor caliente producirá condensación. Para ayudar a evitar que F-041067C

se congelen el arranque manual y los controles del motor, proceda de la manera siguiente después de cada trabajo de remoción de nieve.

1. Deje que el motor (apagado) se enfríe unos cuantos minutos.
2. Jale lentamente el cordón (cuerda) de arranque hasta que sienta resistencia, luego deje de jalar. Permita que el cordón vuelva a enrollarse. Repita tres veces.
3. Con el motor apagado, limpie toda la nieve y humedad de la cubierta del carburador en la zona de los controles y las palancas. Asimismo, mueva la palanca del estrangulador/ahogador y la manija de arranque varias veces.



**ADVERTENCIA:** Nunca arranque el motor dentro de un recinto cerrado o en áreas con poca ventilación. Los gases de escape del motor contienen **MONÓXIDO DE CARBONO, UN GAS INODORO Y MORTAL**. Mantenga las manos, los pies, el pelo y la ropa suelta alejados de las partes en movimiento tanto del motor como del quitanieves.

- Las partes del motor, particularmente el silenciador, se ponen muy calientes. El contacto puede producir quemaduras severas debido al calor. Deje que el motor se enfríe antes de tocarlo.
- Los niños nunca deben operar el quitanieves. Los adultos no capacitados nunca deben operar el quitanieves.
- Asegúrese de que en el área a despejar no haya personas, especialmente niños pequeños y mascotas.
- No deje nunca el quitanieves desatendido mientras el motor está encendido. Las personas que operen el motor o equipo deben haber leído detenidamente y entendido las instrucciones de operación.

## CÓMO RETIRAR OBJETOS ATASCADOS EN LA BARRENA



**ADVERTENCIA:** No intente quitar la nieve ni escombros atascados en la barrena con sus manos. Use el la barra de limpieza para quitar la nieve o escombros.

- Suelte la palanca de propulsión de la barrena.

## OPERACIÓN

- Mueva la **interruptor de paro** a la posición stop para parar el motor.
- Desconecte el cable de la bujía.
- No coloque las manos en la barrena o en el tubo de descarga. Use una barra de apalancamiento.

### SUGERENCIAS PARA EL LANZAMIENTO DE NIEVE

1. Cuando se levanta el mango, las hojas de caucho de la barrena entran en contacto con el suelo y el quitanieves avanza. Cuando se suelta la palanca de propulsión de la barrena, las hojas de caucho de la barrena se paran. Si las hojas de caucho no paran, consulte "Cómo ajustar el cable de propulsión de la barrena" en la sección de Servicio y Ajustes.
2. El lanzamiento de nieve más efectivo se logra cuando la nieve se quita inmediatamente después de la nevada.
3. Para quitar completamente la nieve, sobreponga ligeramente las pasadas del quitanieves.
4. Cuando sea posible, descargue la nieve a favor del viento.
5. Se puede ajustar la distancia a la que la nieve será lanzada, moviendo el deflector del tubo de descarga. Para más distancia levante el deflector, para menos distancia baje el deflector.
6. En condiciones de mucho viento, baje el deflector del tubo de descarga para dirigir la nieve lanzada más cerca del suelo para evitar que el viento la sople hacia áreas no deseadas.
7. Para su seguridad y para prevenir el daño al quitanieves, mantenga el área que va a limpiar, libre de rocas, juguetes y otros objetos extraños.
8. Cuando esté quitando la nieve sobre entradas de auto cubiertas con grava o roca triturada, no deje que las cuchillas de la barrena toquen el suelo. Mueva el mango hacia abajo para levantar ligeramente las cuchillas de la barrena.
9. La velocidad de avance del quitanieves depende de la profundidad y del peso de la nieve. La manera más eficiente de usar el quitanieves será determinada por

su experiencia bajo diversas condiciones.

10. Después de cada trabajo deje que el motor funcione por unos minutos. Así se derretirá la nieve y el hielo acumulados en el motor.
11. Limpie el quitanieves después de cada uso.
12. Quite el hielo, la nieve y los residuos de todo el quitanieves. Enjuáguelo con agua para quitarle toda la sal y otros productos químicos. Seque el quitanieves.

### NIEVE SECA Y DE POCA PROFUNDIDAD

1. La nieve que se acumule hasta profundidades de ocho pulgadas puede quitarse rápida y fácilmente, caminando a una velocidad moderada con el quitanieves. Para acumulaciones de nieve de mayor profundidad, camine más lento para permitir la descarga uniforme de nieve tan pronto sea recogida por la barrena.
2. Intente descargar la nieve a favor del viento.

### NIEVE MOJADA Y COMPACTA

Avance lentamente para despejar la nieve mojada y compacta. Si este tipo de nieve hace que la barrena gire más lento o empieza a atascar el tubo de descarga, retírese un poco y empiece una serie de movimientos cortos con el quitanieves, hacia adelante y hacia atrás. Estos movimientos cortos en la nieve (de cuatro a seis pulgadas), ayudarán a arrojar la nieve del tubo de descarga.

### BANCOS Y ACUMULACIONES GRANDES DE NIEVE

Para despejar la nieve que se acumula a una altura mayor que el quitanieves, use el método descrito anteriormente (movimientos cortos hacia adelante y hacia atrás). Oriente el tubo de descarga en dirección opuesta a la del banco o acumulación grande de nieve. La remoción de este tipo de nieve tomará más tiempo.

# MANTENIMIENTO

## RESPONSABILIDADES DEL PROPIETARIO

REGISTROS DE SERVICIO Anote las fechas en que se hace mantenimiento regular	Antes de cada uso	A menudo	Cada 8 horas	Cada 25 horas	Cada 50 horas	Cada 100 horas	Cada estación	Antes de guardarlo
Revisar el nivel de aceite del motor	√		√					
Cambiar el aceite del motor					√			
Apertar todos los tornillos y tuercas	√	√						
Revisar la bujía				√				
Reemplazar la bujía						√		
Limpiar y examinar el parachispas					√			
Lubricar el reborde del control de descarga								√
Revisar el combustible	√							
Revisar el ajuste del cable de control de la barrena				√				
Correa de propulsión de la barrena *				√				

\* Ajustar después de 2 a 4 horas de uso.

### RECOMENDACIONES GENERALES

La garantía de este quitanieves no cubre piezas que hayan sido sometidas a abuso o negligencia por parte del operador. Para recibir el valor completo de la garantía, el operador debe mantener el quitanieves de acuerdo a las instrucciones contenidas en este manual. Se deben hacer algunos ajustes periódicamente para mantener adecuadamente su quitanieves.

Maintenance, replacement, or repair of the emission control devices and systems can be performed by any non-road engine repair establishment or individual. Regular maintenance will improve the performance and extend the life of the engine.

### DESPUÉS DE CADA USO

- Haga funcionar la unidad para que salga toda la nieve acumulada en la barrena.
- Para evitar el congelamiento de la barrena o de los controles, limpie toda la nieve y el hielo del quitanieves.

- Vea si hay piezas sueltas o dañadas.
- Apriete los sujetadores que estén sueltos.
- Revise y dele mantenimiento a la barrena.
- Revise los controles para asegurarse de que funcionan adecuadamente.
- Para evitar el congelamiento de la barrena o de los controles, limpie toda la nieve y el hielo del quitanieves.

### LUBRICACIÓN

Lubricar el reborde del control del tubo de descarga. Lubricar el reborde con un tipo de grasa que se adhiera tal como Lubriplate.



Figura 8



# MANTENIMIENTO

## MOTOR ESPECIFICACIONES

CABALLOS DE FUERZA	4HP
CILINDRADA	190 cc
CALIBRE	68mm (2,69 pulg.)
CARRERA	56mm (2,05 pulg.)
CAPACIDAD DE GASOLINA	1.5 cuartos (sin plomo)
CAPACIDAD DE ACEITE	20 onzas, 5W30
BUJÍA:	Champion RJ19LM (Entrehierro 0,030plg.)
JUEGODE VÁLVULA:	Entrada: 0,004–0,006 plg. Escape: 0,009–0,011 plg.
ENTREHIERRO DEL INDUCIDO:	0,010–0,014 pulg.

## CLASIFICACIÓN DE POTENCIA

La clasificación de potencia para un modelo de motor en particular se desarrolla inicialmente comenzando con el código J1940 de SAE (Sociedad de Ingenieros Automotrices) (Procedimiento de Clasificación de Potencia & Torque del Motor Pequeño) (Revisión 2002-05). Dado ambos un amplio conjunto de productos en los cuales son puestos nuestros motores, y la variedad de emisiones ambientales aplicables al operar el equipo, puede que el motor que usted haya comprado no desarrolle la potencia nominal cuando sea usado en una parte del equipo acoplado (potencia real "en el-sitio"). Esta diferencia se debe a una variedad de factores incluyendo, pero no limitándose a, lo siguiente: diferencias en altitud, temperatura,

presión barométrica, humedad, combustible, lubricación del motor, máxima velocidad regulada del motor, el motor particular a la variabilidad del motor, diseño de la parte en particular del equipo acoplado, la manera en la cual es operado el motor, el despegue del motor para reducir la fricción y para limpiar las cámaras de combustión, los ajustes a las válvulas y al carburador, y otra variedad de factores. Esta clasificación de potencia puede también ser ajustada basándose en comparaciones a otros motores semejantes utilizados en aplicaciones similares, y por lo tanto no se igualarán necesariamente los valores derivados usando los códigos anteriores.

## AJUSTAR EL CABLE DE CONTROL DE LA BARRENA

El cable de propulsión de la barrena fue ajustado en la fábrica. Si la barrena no engancha o desengancha correctamente, ajuste el cable de propulsión de la barrena, de la manera siguiente:

1. Afloje la **tuerca** que sujeta el **resorte de tensión del cable**. (Vea la Figura 9).
2. Deslice el **resorte de tensión del cable** hacia la parte trasera de la unidad hasta que no quede nada de holgura.

**NOTA:** El **cable de control de la barrena** queda correctamente ajustado cuando no queda holgura libre del cable y no hay tensión en el brazo de la polea de tensión.

3. Apriete la **tuerca** que sujeta el **resorte de tensión del cable**.

Si se estira la correa, coloque el **cable de control de la barrena** en el otro agujero de la manera siguiente:

1. Afloje la **tuerca** que sujeta el **resorte de tensión del cable**. (Vea la Figura 9).
2. Mueva el **resorte de tensión del cable** hacia la parte delantera de la unidad para lograr un máximo de holgura del cable.
3. Saque el extremo superior del **cable de control de la barrena** de la **palanca de propulsión de la barrena**.
4. Instale el **cable de control de la barrena** en el agujero que se muestra en la Figura 2.
5. Deslice el **resorte de tensión del cable** hacia la parte trasera de la unidad hasta que no quede nada de holgura.

**NOTA:** El **cable de control de la barrena** está ajustado correctamente cuando no queda holgura adicional y no hay tensión en el brazo de la polea tensadora.

6. Apriete la **tuerca** que sujeta el **resorte de tensión del cable**.

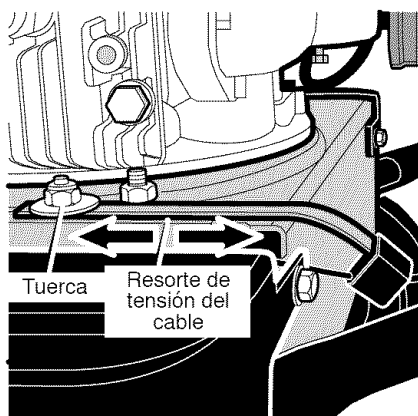


Figura 9

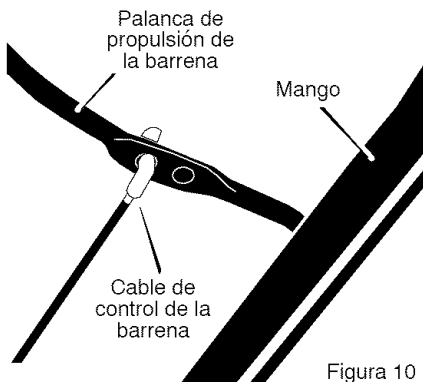


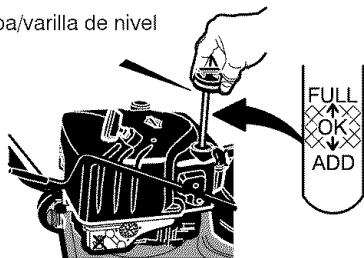
Figura 10

# MANTENIMIENTO

## LUBRICACIÓN DEL MOTOR

Revise el nivel de aceite en el cárter del cigüeñal) antes de hacer arrancar el motor y después de cada ocho (8) horas de uso continuo. Consulte la Figura 11. Agregue aceite de motor S.A.E. 5W30 según sea necesario. El aceite sintético 5W30 es aceptable para cualquier temperatura. Apriete bien la tapa del aceite/varilla de nivel cada vez que revise el nivel del aceite.

Tapa/varilla de nivel



**NOTA:** El nivel de aceite debe indicar LLENO (FULL).  
Figura 11

Cambie el aceite cada cincuenta (50) horas de uso de la unidad, o por lo menos una vez al año si el quitanieves no se usa por cincuenta 50 horas.

## CÓMO CAMBIAR EL ACEITE DEL MOTOR

Para cambiar el aceite del motor, debe inclinar el motor hacia adelante y sacar el aceite viejo por la boca de aceite, siguiendo los pasos. Cambie el aceite cuando el motor esté tibio.

1. Levante la parte trasera del quitanieves e incline la unidad hacia adelante. La po-

sición correcta es con el quitanieves descansando sobre la parte delantera del alojamiento de la barrena.

2. Coloque una **bandeja para drenar el aceite** debajo de la **boca de aceite** (Vea la Figura 12).

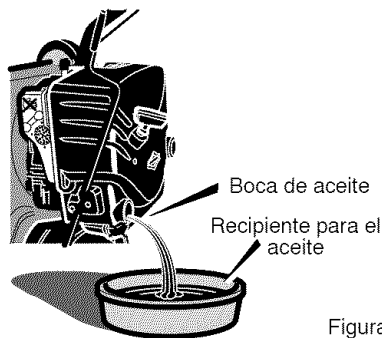


Figura 12

3. Saque con cuidado la tapa/varilla de nivel de aceite. El aceite empezará a caer en el **recipiente para el aceite**.
4. Después que todo el aceite del motor haya salido, pare el quitanieves en la posición de operación.
5. Llene el motor con aceite S.A.E. 5W30. Asegúrese de que el aceite alcanza la marca FULL (lleno) en la tapa/varilla de nivel de aceite. **NO SOBREPASE LA MEDIDA.**

**NOTA:** Cuando opere el quitanieves en condiciones de mucho frío, 0°F o menos, use un aceite de motor 5W30 parcialmente sintético para que el motor arranque con mayor facilidad.

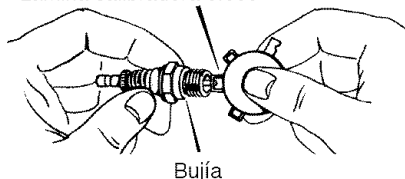
## BUJÍA

Revise la **bujía** cada veinticinco (25) horas. Reemplácela si los electrodos están picados o quemados, si la porcelana está rajada, o cada **100** horas de uso.

1. Asegúrese de que la **bujía** esté limpia. Puede limpiarla raspando los electrodos (**no use aspersión de arena ni cepillo de metal para limpiarla**).
2. Revise el entrehierro de la **bujía** usando una **lámina calibradora** y ajustando el entrehierro a 0,30" si es necesario. Vea la Figura 13.

3. Antes de instalar la **bujía**, cubra ligeramente la parte roscada con aceite para hacer más fácil sacarla si es necesario. Apriete la bujía a un par de torsión de 15 libras-pie.

Lámina calibradora 0.030"



Bujía

Figura 13

## SERVICIO Y AJUSTES

### CÓMO QUITAR LA CUBIERTA SUPERIOR

No hay controles de ajuste debajo de la cubierta superior. Para limpiar el sistema de enfriamiento del motor, siga los pasos a continuación para quitar la cubierta.

1. Quite los tornillos **A** que sujetan la abrazadera de soporte de la varilla a la **cubierta superior**. Haga girar la **varilla de la manivela** hacia arriba y déjela sobre la unidad.
2. Retire el tornillos **B**.
3. Retire los tornillos de sujeción **C**.
4. Retire la **cubierta superior**.
5. Para instalar la **cubierta superior**, siga los pasos anteriores en orden inverso.

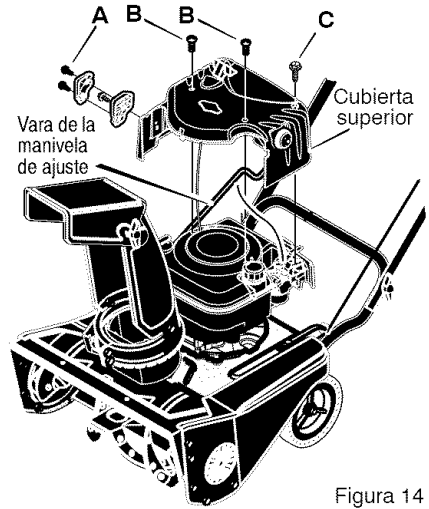


Figura 14

### CÓMO QUITAR LA CUBIERTA DE CORREA

1. Quite los tornillos **A** y las tuercas **B** de la **cubierta de correa**.
2. Retire el tornillo de sujeción **C** de la parte trasera de la **cubierta de correa**.
3. Retire la **cubierta de correa** de la unidad.
4. Para instalar la **cubierta de correa**,

siga los pasos anteriores en orden inverso.

**NOTA:** La cubierta de correa tiene guías moldeadas en la parte interior de la cubierta. Cuando instale la cubierta de correa, encaje la palanca de propulsión de la barrena para apretar la correa contra la polea. Esto dará un espacio adecuado para las guías de la correa cuando instale la cubierta de la misma.

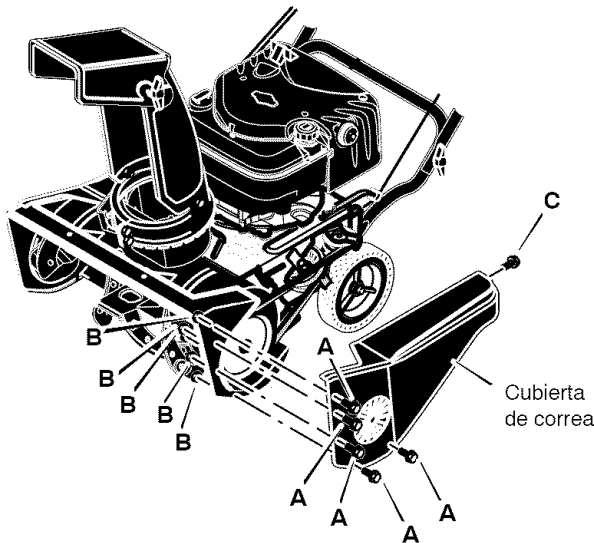


Figura 15

### CÓMO AJUSTAR EL FRENO DE LA BARRENA

El freno de la barrena es ajustado en la fábrica para asegurar la operación segura del quitanieves. Si el freno de la barrena necesitara ajuste, siga los pasos a continuación:

1. Para alcanzar el freno de la barrena, incline la parte delantera de la unidad hacia arriba.
2. Asegúrese de que la correa de propulsión de la barrena esté bien instalada. Vea "Cómo sacar la correa de propulsión de la barrena".
3. Haga girar la **tuerca de ajuste** (Vea la Figura 16) hacia adentro o hacia afuera hasta que el **brazo del freno** quede en contacto con la **correa de propulsión de la barrena** (Vea la Figura 17).
4. Sujete la palanca de propulsión de la barrena en la posición enganchada y empuje el **brazo del freno** hacia abajo para que no quede nada de holgura.
5. Si el ajuste es correcto quedará un **1/4 de pulgada** de espacio entre el **brazo del freno** y la **correa de propulsión de la barrena** cuando la palanca de propulsión de la barrena esté enganchada (Vea la Figura 17).



Figura 16

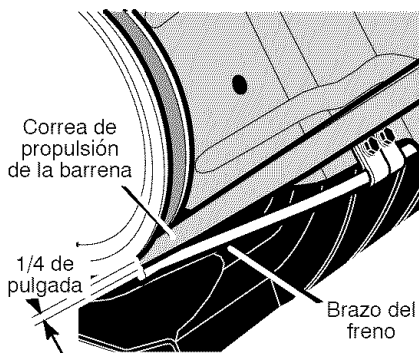


Figura 17

## SERVICIO Y AJUSTES

### CÓMO SACAR LA CORREA DE PROPULSIÓN DE LA BARRENA

La correa de propulsión de la barrena está construida especialmente para la unidad y debe ser reemplazada con una correa original para la unidad, disponible en su tienda Sears más cercana.

Si la correa de propulsión de la barrena estuviera dañada, el quitanieves no descargará la nieve y no avanzará. Reemplace la correa dañada de la manera indicada a continuación:

1. Desconecte el cable de la bujía.
2. Retire la cubierta de la correa. Consulte la sección "Cómo sacar la cubierta de la correa".
3. Fíjese en el trayecto de la **correa de propulsión de la barrena**. Si necesita ayuda, encontrará la calcomanía con el diagrama.
4. Retire el **tornillo de la guía de la correa** y la **guía de la correa** (Vea la Figura 18). Para quitar la **guía de la correa**, gire la **guía de correa** hacia abajo.
5. Retire el **tornillo** y la **polea tensadora del brazo guía** (vea la Figura 19).
6. Saque la **correa de propulsión de la barrena** de la polea del motor y deslícela por el lado del la caja del motor (vea la Figura 20).



Correa de propulsión de la barrena Figura 18

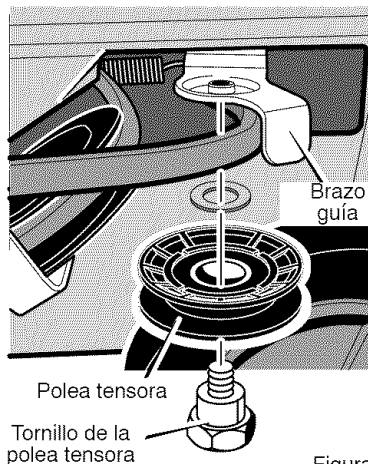


Figura 19

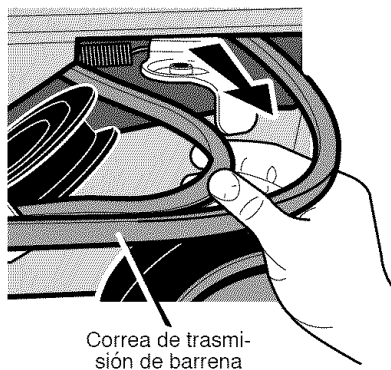


Figura 20

## SERVICIO Y AJUSTES

7. Para sacar la **correa de propulsión de la barrena** de la **polea del propulsor**, mueva el brazo guía a la posición de enganche. Esto le dará un **espacio libre** entre la **polea del propulsor** y el **brazo de freno** para sacar la **correa de propulsión de la barrena** (vea la Figura 21).
8. Para instalar una nueva correa de propulsión para la barrena, siga los pasos anteriores en orden inverso.
9. Revise los ajustes del cable de propulsión de la barrena. Consulte la sección "Ajustar el cable de control de la barrena".

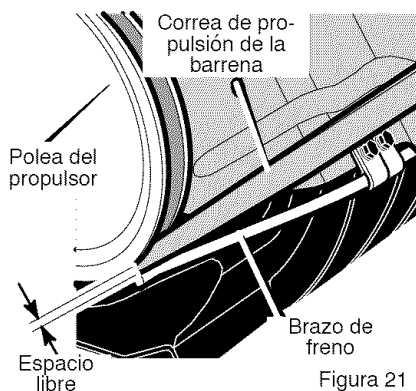


Figura 21

## SERVICIO Y AJUSTES

### CÓMO SACAR LA BARRENA

1. Retire la cubierta de la correa. Consulte "Cómo quitar la cubierta de la correa".
2. Saque la correa de propulsión de la barrena. Consulte "Cómo sacar la correa de propulsión de la barrena" en la sección de Servicio y Ajustes.
3. Retire la **polea de barrena** del vástago de la barrena (la rosca es hacia la izquierda; girar hacia la derecha para sacar).
4. Para mantener la **barrena** sin girar, coloque un pedazo de **madera** de 2"x4" en la **paleta** del centro para inmovilizar la **barrena**.
5. Quite los pernos **A**, lavador **F**, y las tuercas **B** de la parte del frente de la cubierta derecha (vea la Figura 23).
6. Quite el tornillo **C** de la parte trasera de la cubierta derecha.
7. Quite los pernos **D** y las tuercas **E**.
8. Deslice la **barrena** hacia afuera por el lado derecho del alojamiento (vea la Figura 22).
9. Deslice la **barrena** fuera del soporte de cojinetes en el lado izquierdo del alojamiento.
10. Para instalar la **barrena**, realice los pasos anteriores en orden inverso.

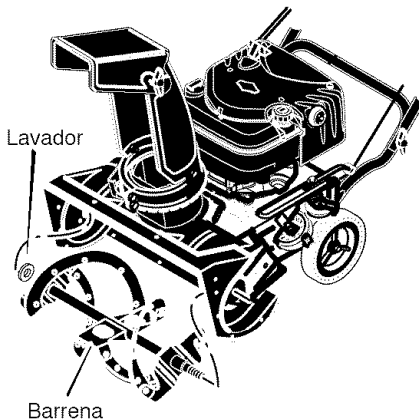


Figura 22

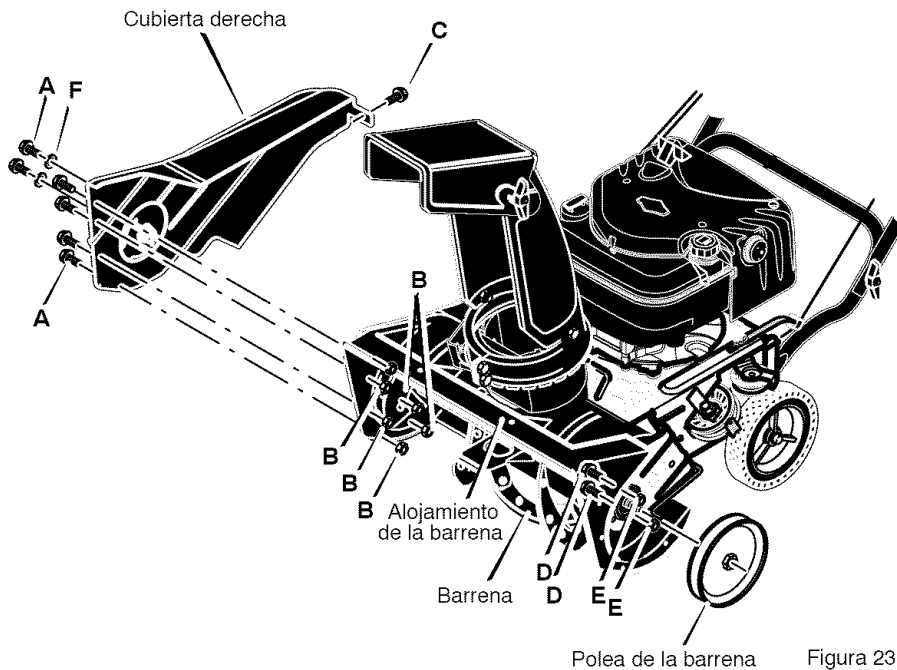


Figura 23



## ALMACENAMIENTO



**ADVERTENCIA:** Nunca guarde su quitanieves con gasolina en el tanque de combustible en ambientes interiores o en un área cerrada y mal ventilada. Si queda gasolina en el tanque, los vapores podrían alcanzar alguna llama expuesta, chispa o llama piloto de una caldera, calentador de agua, secadora de ropa, cigarrillo, etc.

Para prevenir el daño (si el quitanieves no se usa por más 30 días) prepárelo como se indica a continuación.

### QUITANIEVES

1. Limpie todo el quitanieves.
2. Lubrique todos los puntos de lubricación. Consulte la sección de **Mantenimiento**.
3. Asegúrese de que todas las tuercas, pernos y tornillos estén bien apretados. Inspeccione todas las piezas móviles visibles para detectar daños, roturas y desgaste. Haga los reemplazos necesarios.
4. Retoque todas las superficies oxidadas o que tengan la pintura saltada; líjelas suavemente antes de aplicar la pintura.
5. Cubra las piezas de metal expuesto del soplador del alojamiento de la barrena y del impulsor, con un anti-corrosivo, tal como un lubricante en aerosol.

**NOTA:** Una revisión o afinamiento anual hecho en un Centro de Servicio Sears es una buena manera de asegurar que su quitanieves le brinde el máximo rendimiento la siguiente temporada.

### MOTOR

Deberá sacar la gasolina del tanque o prepararla para prevenir la formación de depósitos de goma en el tanque, filtro, manguera y carburador durante el almacenamiento. Además, durante el almacenamiento, la gasolina mezclada con alcohol que contiene etanol o metanol (llamada a veces gasohol) atrae agua, y ésta actúa sobre la gasolina formando ácidos que dañan el motor.

F-041067C

1. Deje el motor en marcha hasta que el tanque quede vacío y el motor se pare.
2. Si no quiere sacar la gasolina, use el estabilizador de combustible provisto con la unidad, o compre estabilizador de combustible Craftsman Núm. 3550. Añada el estabilizador de combustible a cualquier cantidad de gasolina que permanezca en el tanque para minimizar los depósitos de goma y ácido. Si el tanque está casi vacío, mezcle el estabilizador con gasolina fresca en un recipiente separado y añada un poco de esta mezcla al tanque.
3. Siempre siga las instrucciones del envase del estabilizador. Luego de añadir el estabilizador, encienda el motor y déjelo correr por 10 minutos por lo menos para permitir que la mezcla alcance el carburador.
4. Cambie el aceite del motor cuando aún está tibio.
5. Saque la bujía y vierta aproximadamente 15 ml (1/2 onza) de aceite para motor en el cilindro. Vuelva a colocar la bujía y vire el motor lentamente para distribuir el aceite.



**ADVERTENCIA:** No vire el motor cuando no tiene colocada la bujía.

6. Almacene en un área limpia y seca, pero NO cerca de una estufa, caldera o calentador de agua que tenga una llama piloto ni algún otro dispositivo que pueda generar chispas.

### OTRAS INDICACIONES

1. Si fuera posible, guarde su quitanieves dentro de un recinto, cubriéndolo para protegerlo del polvo y la suciedad.
2. Si debe guardar el quitanieves afuera, colóquelo sobre bloques para levantarlo del suelo.
3. Cubra el quitanieves con una cubierta protectora apropiada que no retenga humedad. No use plástico.

**IMPORTANTE:** Nunca cubra el quitanieves mientras las áreas del motor y del escape estén todavía calientes.

## TABLA DE LOCALIZACIÓN Y REPARACIÓN DE AVERÍAS

<b>PROBLEMA</b>	<b>CAUSA</b>	<b>CORRECCION</b>
<b>Dificultad para arrancar</b>	Bujía defectuosa.	Reemplace la bujía defectuosa.
	Agua o suciedad en el sistema de combustible.	Vacíe y limpie el tanque de combustible; vuelva a llenar el tanque con una mezcla fresca de combustible.
<b>El motor funciona erráticamente</b>	Línea de combustible bloqueada, tanque de combustible vacío o gasolina añeja.	Limpie la línea de combustible; revise el suministro de combustible; ponga gasolina fresca en el tanque de combustible.
<b>El motor se para</b>	La unidad está funcionando con la palanca de estrangulación en la posición de ESTRANGULACION (CHOKE).	Coloque la palanca de estrangulación en la posición run (arranque) o en la posición off (apagado).
<b>El motor funciona erráticamente; Perdida de potencia</b>	Agua o suciedad en el sistema de combustible.	Vacíe y limpie el tanque de combustible; vuelva a llenar el tanque con una mezcla fresca de combustible
<b>Vibración excesiva</b>	Conjunto de la barrena dañado.	Repáre o reemplace el conjunto de la barrena.
	Partes sueltas. propulsor dañado.	Pare el motor inmediatamente. Saque la llave de encendido. Apriete todos los sujetadores y realice todas las reparaciones necesarias. Si la vibración continúa, lleva la unidad a su centro de servicio Sears.
<b>La unidad no avanza por autopropulsión</b>	La correa de propulsión de la barrena está suelta o dañada.	Reemplace la correa de propulsión.
	Ajuste incorrecto del cable de propulsión de la barrena.	Ajuste el cable de propulsión.
<b>La unidad no descarga nieve</b>	La correa de propulsión de la barrena está suelta o dañada.	Ajuste la correa de propulsión de la barrena; reemplace la correa si está dañada,
	El cable de control de la barrena no está ajustado correctamente.	Ajuste el cable de control de la barrena.
	Tubo de descarga obstruido.	Pare el motor inmediatamente y desconecte el cable de la bujía. Limpie el tubo de descarga y dentro del alojamiento de la barrena.
	Objeto extraño atorado en la barrena	Pare el motor inmediatamente y desconecte el cable de la bujía. Retire el objeto atorado en la barrena.

**Sears, Roebuck and Co., U.S.A. (Sears), Junta de Recursos Ambientales de California (CARB) y Agencia de Protección Ambiental de los Estados Unidos (U.S. EPA)  
Declaración de la Garantía del Sistema de Control de Emisiones (Derechos y Obligaciones del Propietario de la Garantía de Defectos)**

LA COBERTURA DE LA GARANTÍA DEL CONTROL DE EMISIONES ES APLICABLE A LOS MOTORES CERTIFICADOS QUE HAYAN SIDO COMPRADOS EN CALIFORNIA A PARTIR DE 1995 Y DESPUÉS DE ESTA FECHA, LOS CUALES SEAN USADOS EN CALIFORNIA, Y

PARA LOS MOTORES CERTIFICADOS MODELOS 1997 EN ADELANTE QUE SEAN COMPRADOS Y USADOS EN OTRA PARTE DE LOS ESTADOS UNIDOS (Y A PARTIR DE ENERO 1 DE 2001 EN CANADA).

**Declaración de la Garantía de Defectos del Sistema de Control de Emisiones de California, Estados Unidos y Canadá**

La Junta de Recursos Ambientales (CARB), La Agencia de Protección Ambiental de los Estados Unidos U.S. EPA y Sears se complacen en explicarles la Garantía del Sistema de Control de Emisiones de su motor pequeño modelo 2000 en adelante para uso en terrenos sin pavimento (SORE). En California, los nuevos motores pequeños para uso en terrenos sin pavimento deben ser diseñados, fabricados y equipados para cumplir los rigurosos estándares anti-smog del Estado. En cualquier otra parte de los Estados Unidos, los nuevos motores de encendido por chispa para no uso en carreteras modelos 1997 y posteriores, deben cumplir estándares similares a los establecidos por la Agencia de Protección Ambiental de los Estados Unidos (U.S.

EPA). Sears debe garantizar el sistema de control de emisiones en su motor por los períodos de tiempo listados abajo, teniendo en cuenta que no haya habido abuso, negligencia o mantenimiento no apropiado en su motor pequeño para uso en terrenos sin pavimento.

Su sistema de control de emisiones incluye partes tales como el carburador, el filtro de aire, el sistema de encendido, el mofle y el convertidor catalítico. También puede incluir conectores y otros conjuntos relacionados con el sistema de emisiones.

Siempre que exista una condición de garantía, Sears reparará su motor pequeño para uso en terrenos sin pavimento sin ningún costo para usted incluyendo el diagnóstico, las partes y la mano de obra.

**Cobertura de la Garantía de Defectos del Sistema de Control de Emisiones Sears**

Los motores pequeños para uso en terrenos sin pavimento se garantizan relativo a los defectos de las partes del sistema de control de emisiones durante un período de dos años, su-

jeto a las provisiones establecidas abajo. Si alguna de las partes bajo cobertura en su motor se encuentra defectuosa, la parte será reparada o reemplazada por Sears.

**Responsabilidades del Propietario de la Garantía**

Como propietario de un motor pequeño para uso en terrenos sin pavimento, usted es responsable de que se lleve a cabo el mantenimiento requerido el cual se indica en sus Instrucciones de Mantenimiento y Operación. Sears le recomienda guardar todos sus recibos que cubran el mantenimiento en su motor pequeño para uso en terrenos sin pavimento, pero Sears no solo puede negar la garantía por la falta de recibos sino por su omisión al asegurar la realización de todo el mantenimiento programado.

No obstante, como propietario de un motor pequeño para uso en terrenos sin pavimento, usted tiene que darse cuenta que Sears puede negarle la cobertura de la garantía si su motor pequeño para uso en terrenos sin pavimento o una de sus partes ha fallado debido a abuso,

negligencia, mantenimiento incorrecto o modificaciones no aprobadas

Usted es responsable de presentar su motor pequeño para uso en terrenos sin pavimento a un Distribuidor de Servicio Autorizado Sears tan pronto se presente el problema. Las reparaciones bajo garantía indisputables deben completarse en un período de tiempo razonable que no se exceda de 30 días.

Si usted tiene algunas preguntas relacionadas con los derechos y responsabilidades de la garantía, debe contactar a un Representante de Servicio Sears marcando el teléfono: 1-414-259-5262.

La garantía de emisiones es una garantía de defectos. Los defectos son juzgados en el desempeño normal de un motor. La garantía no está relacionada con una prueba de emisiones en uso.

## Provisiones de la Garantía de Defectos del Sistema de Control de Emisiones Sears

Las siguientes son provisiones específicas relativas a la Cobertura de Garantía de Defectos del Sistema de Control de Emisiones. Es una adición de la garantía del motor Sears para los motores no-regulados encontrados en las Instrucciones de Mantenimiento y Operación.

### 1. Partes Garantizadas

La cobertura bajo esta garantía se extiende únicamente a las partes listadas abajo (partes de los sistemas de control de emisiones) hasta la extensión que estas partes fueron presentadas en el motor comprado.

#### a. Sistema de Medición de Combustible

- Sistema de Enriquecimiento de Arranque en Frío (estrangulación suave)
- Carburador y Partes Internas
- Bomba de Combustible

#### b. Sistema de Inducción de Aire

- Filtro de Aire
- Múltiple de Admisión

#### c. Sistema de Encendido

- Bujía(s)
- Sistema de Encendido con Magneto

#### d. Sistema Catalizador

- Convertidor Catalítico
- Múltiple de Escape
- Sistema de Inyección de Aire o Válvula de Pulsación

#### e. Items Varios Usados en los Sistemas Anteriores

- Vacío, Temperatura, Posición, Válvulas Sensitivas de Tiempo y Suiches
- Conectores y Conjuntos

### 2. Duración de la Cobertura

Sears garantiza al propietario inicial y a cada comprador subsecuente que las Partes Garantizadas estarán libres de defectos en materiales y mano de obra la cual haya ocasionado fallas de las Partes Garantizadas por un período de dos años a partir de la fecha en que es entregado el motor a un comprador detallista.

### 3. Sin Costo

La reparación o cambio de cualquier Parte Garantizada se llevará a cabo sin costo alguno para el propietario, incluyendo la labor

de diagnóstico la cual conduce a la determinación de que esa Parte Garantizada es defectuosa, si el trabajo de diagnóstico es realizado en un Centro de Servicio Autorizado Sears. Para servicio de garantía de emisiones contacte su Centro de Servicio Autorizado Sears más cercano listado en las "Páginas Amarillas" bajo "Motores, Gasolina", "Motores a Gasolina", "Máquinas Cortacésped" o en una categoría similar.

### 4. Reclamos y Exclusiones de la Cobertura

Los reclamos de la garantía se completarán de acuerdo con las provisiones de la Póliza de Garantía del Motor Sears. La cobertura de la garantía estará excluida para fallas de las Partes Garantizadas las cuales no sean partes originales Sears o por abuso, negligencia o mantenimiento incorrecto según se establece en la Póliza de Garantía del Motor Sears. Sears no se hace responsable de cubrir fallas de Partes Garantizadas ocasionadas por el uso de adición de partes, partes no-originales o partes modificadas.

### 5. Mantenimiento

Cualquier parte garantizada la cual no esté programada para cambio al realizar el mantenimiento requerido o la cual esté programada únicamente para una inspección regular por el efecto de "repare o cambie si es necesario" se garantizará por defectos durante el período de la garantía. Cualquier Parte Garantizada la cual esté programada para cambio por el mantenimiento requerido se garantizará únicamente por defectos durante el período de tiempo hasta el primer cambio programado para esa parte. Cualquier repuesto que sea equivalente en desempeño y durabilidad puede ser usado al llevar a cabo toda tarea de mantenimiento o reparación. El propietario es responsable de la realización de todo el mantenimiento requerido, según se define en las Instrucciones de Mantenimiento y Operación Sears.

### 6. Cobertura Consecuente

La cobertura aquí establecida se extenderá hasta la falla de cualquiera de los componentes del motor ocasionada por la falla de cualquier Parte Garantizada que aún se encuentre bajo garantía.

## Busque el Período de Durabilidad de Emisiones y la Información del Índice de Aire Pertinentes en su Etiqueta de Emisiones del Motor

Los motores que son certificados para cumplir con las Normas de Emisiones Etapa 2 de la Junta de Recursos Ambientales de California (CARB) deben mostrar la información referente al Período de Durabilidad de Emisiones y al Índice de Aire. Sears, Roebuck and Co., U.S.A. hace que esta información esté disponible para el consumidor en nuestras etiquetas de emisiones. La etiqueta del motor indicará la información de certificación.

El **Período de Durabilidad de Emisiones** describe el número de horas del tiempo real de operación para el cual está certificado el motor por cumplir con las emisiones, asumiendo un mantenimiento apropiado de acuerdo con las Instrucciones de Mantenimiento y Operación. Se utilizan las siguientes categorías:

**Moderado:** El motor es certificado para cumplir con las emisiones durante 125 horas del tiempo real de operación del motor.

**Intermedio:** El motor es certificado para cumplir con las emisiones durante 250 horas del tiempo real de operación del motor.

**Prolongado:** El motor es certificado para cumplir con las emisiones durante 500 horas del tiempo real de operación del motor.

Por ejemplo, una máquina cortacésped de arrastrar típica es usada de 20 a 25 horas por año. Por lo tanto, el **Período de Durabilidad de Emisiones** de un motor con una clasificación **intermedia** se igualaría de 10 a 12 años.

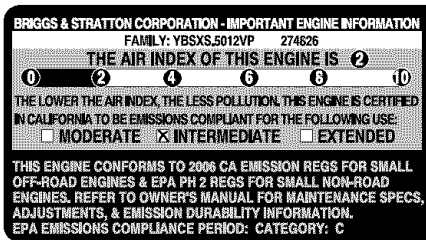
El **Índice de Aire** es un número calculado que describe el nivel relativo de emisiones para una familia específica de motores. Mientras más bajo sea el **Índice de Aire**, más limpio será el motor. Esta información es mostrada en forma gráfica en la etiqueta de emisiones.

## Después de Julio 1, 2000, Busque el Período de Conformidad de Emisiones en la Etiqueta de Conformidad de Emisiones del Motor

Después de Julio 1, 2000 ciertos motores Sears, Roebuck and Co., U.S.A. estarán certificados por cumplir con las normas de emisiones Fase 2 de la Agencia de Protección Ambiental de los Estados Unidos (USEPA). Para los motores certificados Fase 2, el Período de Conformidad de Emisiones al cual se refiere la Etiqueta de Conformidad de Emisiones indica el número de horas de operación para las cuales el motor ha demostrado que cumple con los requerimientos Federales de emisiones. Para motores con un desplazamiento inferior a 225 cc, Categoría C = 125 horas, B = 250 horas y A = 500 horas. Para motores con un desplazamiento de 225 cc o superior, Categoría C = 250 horas, B = 500 horas y A = 1000 horas.

El desplazamiento de los motores Modelos Serie 120000 es 190 cc.

**Esta es una representación genérica de una etiqueta de emisiones típicamente encontrada en un motor certificado.**







# Get it fixed, at your home or ours!

## Your Home

For repair – **in your home** – of **all** major brand appliances, lawn and garden equipment, or heating and cooling systems, **no matter who made it, no matter who sold it!**

For the replacement parts, accessories and owner's manuals that you need to do-it-yourself.

For Sears professional installation of home appliances and items like garage door openers and water heaters.

**1-800-4-MY-HOME<sup>®</sup>** Anytime, day or night  
(1-800-469-4663) (U.S.A. and Canada)  
[www.sears.com](http://www.sears.com) [www.sears.ca](http://www.sears.ca)

---

## Our Home

For repair of carry-in products like vacuums, lawn equipment, and electronics, call or go on-line for the nearest **Sears Parts and Repair Center.**

**1-800-488-1222** Anytime, day or night (U.S.A. only)  
[www.sears.com](http://www.sears.com)

---

To purchase a protection agreement (U.S.A.) or maintenance agreement (Canada) on a product serviced by Sears:

**1-800-827-6655** (U.S.A.) **1-800-361-6665** (Canada)

---

Para pedir servicio de reparación a domicilio, y para ordenar piezas:

**1-888-SU-HOGAR<sup>SM</sup>**  
(1-888-784-6427)

Au Canada pour service en français:

**1-800-LE-FOYER<sup>MC</sup>**  
(1-800-533-6937)  
[www.sears.ca](http://www.sears.ca)

# SEARS

© Sears, Roebuck and Co.

® Registered Trademark / <sup>TM</sup> Trademark / <sup>SM</sup> Service Mark of Sears, Roebuck and Co.

® Marca Registrada / <sup>TM</sup> Marca de Fábrica / <sup>SM</sup> Marca de Servicio de Sears, Roebuck and Co.

<sup>MC</sup> Marque de commerce / <sup>MD</sup> Marque déposée de Sears, Roebuck and Co.



## Free Manuals Download Website

<http://myh66.com>

<http://usermanuals.us>

<http://www.somanuals.com>

<http://www.4manuals.cc>

<http://www.manual-lib.com>

<http://www.404manual.com>

<http://www.luxmanual.com>

<http://aubethermostatmanual.com>

Golf course search by state

<http://golfingnear.com>

Email search by domain

<http://emailbydomain.com>

Auto manuals search

<http://auto.somanuals.com>

TV manuals search

<http://tv.somanuals.com>