

CRAFTSMAN®

Operator's Manual

Snow Thrower

5.0 Horsepower

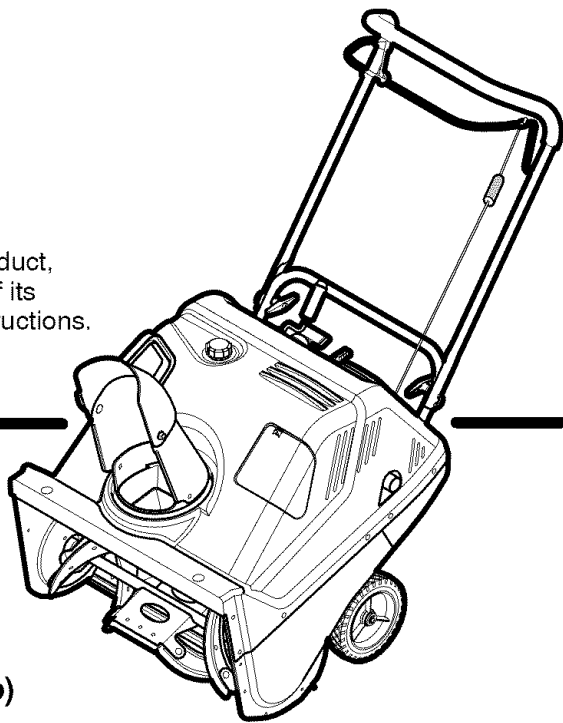
Electric Start

22-inch Single Stage

Auger Propelled

Model 536.881501

CAUTION: Before using this product, read this manual and follow all of its Safety Rules and Operating Instructions.



Manual del usuario

Quitanieves

de 22 pulgadas

5.0 caballos de fuerza (hp)

Monoetápico

Arranque eléctrico

Propulsado por barrena

Modelo 536.881501

PRECAUCIÓN: Antes de usar este producto, lea este manual y siga todas las reglas de seguridad e instrucciones de operación.

Sears, Roebuck and Co., Hoffman Estates, IL 60179 U.S.A.

F-051010C

www.sears.com/craftsman

TABLE OF CONTENTS

WARRANTY STATEMENT	2	STORAGE	23
SAFETY RULES	2	TROUBLE SHOOTING CHART ..	24
INTERNATIONAL SYMBOLS	4	REPAIR PARTS	28
ASSEMBLY	6	ENGINE REPAIR PARTS	42
OPERATION	9	SPANISH (ESPAÑOL)	49
MAINTENANCE	16	PARTS ORDERING/SERVICE ...	76
SERVICE AND ADJUSTMENT ..	20		

WARRANTY STATEMENT

LIMITED TWO-YEAR WARRANTY ON CRAFTSMAN SNOW THROWER

For two years from the date of purchase, when this Craftsman Snow thrower is maintained, lubricated, and tuned up according to the operating and maintenance instructions in the owner's manual, Sears will repair, free of charge, any defect in material or workmanship.

If this Craftsman Snow thrower is used for commercial or rental purposes, this warranty applies for only 90 days from the date of purchase.

This warranty does not cover the following:

- Items which become worn during normal use, such as spark plugs, drive belts and shear pins.
- Repair necessary because of operator abuse or negligence, including bent crankshafts and the failure to maintain the equipment according to the instructions contained in the owner's manual.

WARRANTY SERVICE IS AVAILABLE BY RETURNING THE CRAFTSMAN SNOW THROWER TO THE NEAREST SEARS SERVICE CENTER IN THE UNITED STATES. THIS WARRANTY APPLIES ONLY WHILE THIS PRODUCT IS IN USE IN THE UNITED STATES.

This warranty gives you specific legal rights, and you may also have other rights which may vary from state to state.

Sears, Roebuck and Co., D817WA, Hoffman Estates, IL 60179

SAFETY RULES



LOOK FOR THIS SYMBOL TO POINT OUT IMPORTANT SAFETY PRECAUTIONS. IT MEANS-- ATTENTION!!! BECOME ALERT!!! YOUR SAFETY IS INVOLVED.



WARNING:



Engine Exhaust, some of its constituents, and certain vehicle components contain or emit chemicals known to the State of California to cause cancer and birth defects or other reproductive harm.

Battery posts, terminals and related accessories contain lead and lead compounds, chemicals known to the State of California to cause cancer and birth defects or other reproductive harm. **WASH HANDS AFTER HANDLING.**



WARNING: Always disconnect the spark plug wire and place it where it cannot make contact with spark plug to prevent accidental starting during: Preparation, Maintenance, or Storage of your snow thrower.

IMPORTANT: Safety standards require operator presence controls to minimize the risk of injury. Your snow thrower is equipped with such controls. Do not attempt to defeat the function of the operator presence control under any circumstances.

TRAINING

1. Read this operating and service instruction manual carefully. Be thoroughly familiar with the controls and the proper use of the snow thrower. Know how to stop the snow thrower and disengage the controls quickly.
2. Never allow children to operate the snow thrower. Never allow adults to operate the snow thrower without proper instruction.
3. Keep the area of operation clear of all persons, particularly small children and pets.
4. Exercise caution to avoid slipping or falling especially when operating in reverse.

PREPARATION

1. Thoroughly inspect the area where the snow thrower is to be used and remove all doormats, sleds, boards, wires, and other foreign objects.
2. Disengage all clutches before starting the engine (motor).
3. Do not operate the snow thrower without wearing adequate winter outer garments. Wear footwear that will improve footing on slippery surfaces.
4. Handle fuel with care; it is highly flammable.
 - a. Use an approved fuel container.
 - b. Never remove fuel tank cap or add fuel to a running engine (motor) or hot engine (motor).
 - c. Fill fuel tank outdoors with extreme care. Never fill fuel tank indoors.
 - d. Replace fuel cap securely and wipe up spilled fuel.
 - e. Never store fuel or snow thrower with fuel in the tank inside of a building where fumes may reach an open flame or spark.
 - f. Check fuel supply before each use, allowing space for expansion as the heat of the engine (motor) and/or sun can cause fuel to expand.
5. For all snow throwers with electric starting motors use electric starting extension cords certified CSA/UL. Use only with a receptacle that has been installed in accordance with local inspection authorities.
6. Let engine (motor) and snow thrower adjust to outdoor temperatures before starting to clear snow.
7. Always wear safety glasses or eye shields during operation or while performing an adjustment or repair to protect eyes from foreign objects that may be thrown from the snow thrower.

OPERATION

1. Do not operate this snow thrower if you are taking drugs or other medication which can cause drowsiness or affect your ability to operate this snow thrower.
2. Do not use the snow thrower if you are mentally or physically unable to operate the snow thrower safely.
3. Do not put hands or feet near or under rotating parts. Keep clear of the discharge opening at all times.
4. Exercise extreme caution when operating on or crossing gravel drives, walks or roads. Stay alert for hidden hazards or traffic.
5. After striking a foreign object, stop the engine (motor), remove the wire from the spark plug, thoroughly inspect snow thrower for any damage, and repair the damage before restarting and operating the snow thrower.
6. If the snow thrower should start to vibrate abnormally, stop the engine (motor) and check immediately for the cause. Vibration is generally a warning of trouble.
7. Stop the engine (motor) whenever you leave the operating position, before unclogging the auger/impeller housing or discharge chute and when making any repairs, adjustments, or inspections.
8. When cleaning, repairing, or inspecting, make certain the auger/impeller and all moving parts have stopped and all controls are disengaged. Disconnect the spark plug wire and keep the wire away from the spark plug to prevent accidental starting.
9. Take all possible precautions when leaving the snow thrower unattended. Disengage the auger/ impeller, stop engine (motor), and remove key.
10. Do not start or run engine in enclosed area, even if doors or windows are open. Exhaust fumes are dangerous (containing CARBON MONOXIDE, an ODORLESS and DEADLY GAS).
11. Do not clear snow across the face of slopes. Exercise extreme caution when changing direction on slopes. Do not attempt to clear steep slopes.
12. Never operate the snow thrower without proper guards, plates or other safety protective devices in place.
13. Never operate the snow thrower near enclosures, automobiles, window wells, drop-offs, and the like without proper adjustment of the snow discharge angle. Keep children and pets away.

14. Do not overload the snow thrower capacity by attempting to clear snow at too fast a rate.
 15. Never operate the snow thrower at high transport speeds on slippery surfaces. Look behind and use care when backing up.
 16. Never direct discharge at bystanders or allow anyone in front of the snow thrower.
 17. Disengage power to the collector/impeller when snow thrower is transported or not in use.
 18. Use only attachments and accessories approved by the manufacturer of the snow thrower (such as tire chains, electric start kits, ect.).
 19. Never operate the snow thrower without good visibility or light. Always be sure of your footing and keep a firm hold on the handles. Walk; never run.
 20. Do not over-reach. Keep proper footing and balance at all times.
 21. Do not attempt to use snow thrower on a roof.
2. Store the snowthrower away from ignition sources or appliances that have a pilot light, such as hot water and space heaters, clothes dryers, etc.... Allow the engine (motor) to cool before storing in any enclosure.
 3. Always refer to operator's guide instructions for important details if the snow thrower is to be stored for an extended period.
 4. Maintain or replace safety and instruction labels, as necessary.
 5. Run the snow thrower a few minutes after throwing snow to prevent freeze-up of the auger/impeller.



WARNING: This snow thrower is for use on sidewalks, driveways and other ground level surfaces.

Caution should be exercised while using on steep sloping surfaces. DO NOT USE SNOW THROWER ON SURFACES ABOVE GROUND LEVEL such as roofs of residences, garages, porches or other such structures or buildings.

MAINTENANCE AND STORAGE

1. Check shear bolts and other bolts at frequent intervals for proper tightness to be sure the snow thrower is in safe working condition.

SYMBOLS

IMPORTANT: Many of the following symbols are located on your snow thrower or on literature supplied with the product. Before you operate the snow thrower, learn and understand the purpose for each symbol.

CONTROL AND OPERATING SYMBOLS



Slow



Fast



Electric Start



Engine Start



Engine Run



Engine Off



Engine Stop



On



Choke Off



Choke On



Neutral



Throttle



Primer Button



Ignition Key



Ignition Off



Ignition On



Drive Clutch



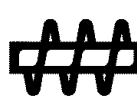
Forward



Reverse



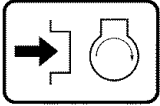
Auger Clutch



Auger Collector



Engage



Push To Engage
Electric Starter



Fuel



Oil



Discharge DOWN



Discharge UP



Discharge LEFT



Discharge RIGHT



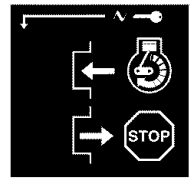
Weight Transfer
Lift Handle To
Engage



Weight Transfer
Depress Pedal
To Disengage



Transmission

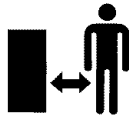


Ignition Key
Insert To Run,
Pull Out To Stop.

Safety Warning Symbols



DANGER
Thrown Objects.
Keep Bystanders Away.



DANGER
Thrown Objects.
Keep Bystanders Away.



WARNING



IMPORTANT
Read Owner's Manual
Before Operating
This Machine.



DANGER
Avoid Injury From
Rotating Auger. Keep
Hands, Feet And
Clothing Away.



DANGER
Stop The Engine Before
Unclogging Discharge Chute!



WARNING
Hot Surface



STOP

ASSEMBLY

Contents of Parts Bag

- 1 – Owner's Manual (not shown)
- 1 – Electric Starter Cord (not shown)
- 1 – Fuel Stabilizer (not shown)



- 1 – Container 5W30 oil



WARNING: Always wear safety glasses or eye shields while assembling snow thrower.

TOOLS REQUIRED

- 1 – Knife to cut carton

Figure 1 shows the snow thrower in the operating position.

References to the right or left hand side of the snow thrower are from the viewpoint of the operator's position behind the unit.

HOW TO REMOVE FROM THE CARTON

1. Locate and remove container of Craftsman 5W30 oil.
2. Locate all parts packed separately and remove from the carton.
3. Remove and discard the packing material from around the snow thrower.
4. Cut down all four corners of the carton and lay the panels flat.
5. Hold onto the lower handle and pull the snow thrower off the carton.

CAUTION: DO NOT back over cables.

6. Remove the packing material from the handle assembly.

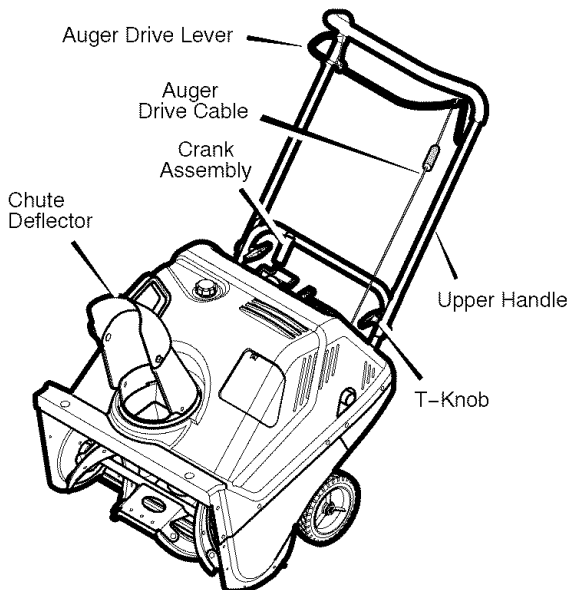


Figure 1

ASSEMBLY

HOW TO ASSEMBLE THE HANDLE

Install Upper Handle

1. Remove the **T-knobs** and U-bolts from the **lower handle** (Figure 2).
2. Put the **upper handle** in the operating position.
3. Install the U-bolts and tighten the **T-knobs**.

Note: Make sure that the cable is not pinched between the upper and lower handle. Make sure the cable is routed as shown in Figure 2.

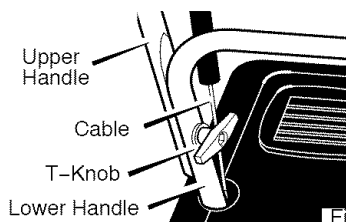


Figure 2

Attach Auger Drive Cable

1. Attach the **auger drive cable** to the **auger drive lever** using the **Z-hook** (Figure 3).

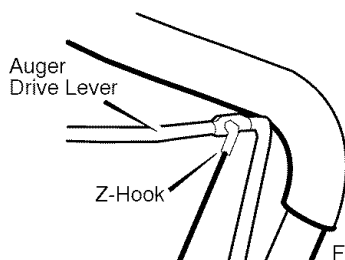


Figure 3

Adjust The Upper Chute

1. Remove the **T-knob** and bolt on the **upper chute** (Figure 4).
2. Rotate the **upper chute** to the operating position (past the lower chute stop).
3. Install the bolt and tighten the **T-knob**.

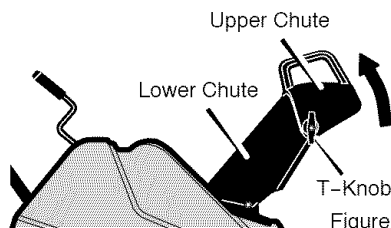


Figure 4

Add Engine Oil

1. The snow thrower was shipped with a container of 5W30 engine oil. Before operating, add this oil to the engine .
2. Remove the oil fill cap/dipstick access panel.
3. Remove the **oil fill cap/dipstick** (Figure 5). Fill to the **FULL** mark on the **oil fill cap/dipstick**. Periodically check the oil level. **DO NOT OVER FILL.**

Add Fuel

1. Fill the fuel tank with fresh unleaded fuel.
2. To extend the life of the fuel and prevent starting problems, add the fuel stabilizer supplied with the snowthrower. **DO NOT OVER FILL.**

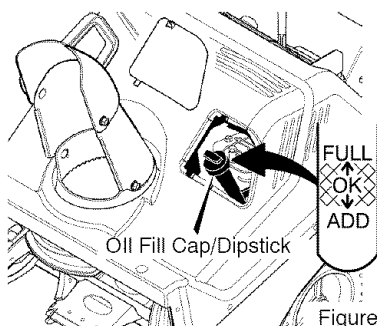


Figure 5

NOTE: Oil level must be at **FULL** mark.

✓ CHECKLIST

Before you operate your new snow thrower, to ensure that you receive the best performance and satisfaction from this quality product, please review the following checklist:

- ✓ All assembly instructions have been completed.
- ✓ The discharge chute rotates freely.
- ✓ No remaining loose parts in carton.

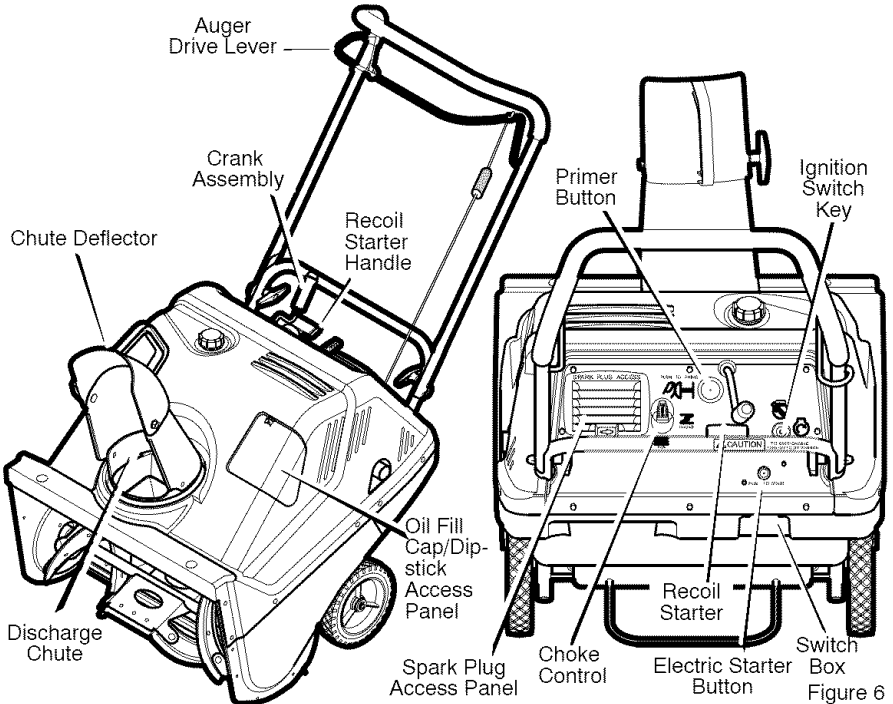
While learning how to use your snow thrower, pay extra attention to the following important items:

- ✓ Make sure engine oil is at proper level. Use a high quality detergent oil classified "For Service SG, SH, SJ, SL, or higher".
- ✓ Make sure the fuel tank is filled properly with clean, fresh, unleaded gasoline with a minimum of 85 octane.
- ✓ Become familiar with the location of all controls and understand their function.
- ✓ Before starting the engine, make sure all controls operate correctly.

OPERATION

KNOW YOUR SNOW THROWER

READ THIS OWNER'S MANUAL AND SAFETY RULES BEFORE OPERATING YOUR SNOW THROWER. Compare the illustrations with your SNOW THROWER to familiarize yourself with the location of various controls and adjustments. Save this manual for future reference.



Auger Drive Lever – Starts and stops the auger.

Crank Assembly – Changes the direction of snow throwing through the discharge chute.

Chute Deflector – Changes the distance the snow is thrown.

Discharge Chute – Changes the direction the snow is thrown.

Ignition Switch Key – Must be inserted and turned to the ON position to start the engine.

Recoil Starter Handle – Starts the engine manually.

Electric Starter Button – Use to start the engine when using the 120V electric starter.

Choke Control – Used to start a cold engine.

Primer Button – Injects fuel directly into the carburetor manifold for fast starts in cold weather.

Spark Plug Access Panel – Aides in the removal of the spark plug.

Oil Fill Cap/Dipstick Access Panel – Allows access to oil fill cap/dipstick for both filling and checking the engine oil

Switch Box – Connection for the electric start power cord.

OPERATION



WARNING: Read Owner's Manual before operating machine. Never direct discharge toward bystanders. Stop the engine before unclogging discharge chute or auger housing and before leaving the machine.

TO STOP YOUR SNOW THROWER

1. To stop throwing snow, release the **auger drive lever**. See Figure 6.
NOTE: If the snow thrower continues to slowly move forward, see "How To Adjust The Auger Control Cable" in the Service And Adjustment Section.
2. To stop the engine, move the ignition switch key to the off position.

TO CONTROL SNOW DISCHARGE

1. Turn the chute control rod to set the direction of the snow throwing.
2. Loosen the **wing knob** on the chute deflector and move the deflector to set the distance. Move the deflector (**Up**) for more distance, (**Down**) for less distance. Then tighten the **wing knob** (See Figure 7).

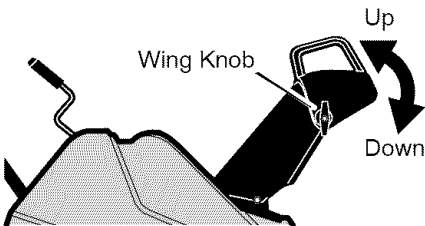


Figure 7

HOW TO THROW SNOW

1. Engage the **auger drive lever**.
2. To stop throwing snow, release the **auger drive lever**.



WARNING: The operation of any snow thrower can result in foreign objects being thrown into the eyes, which can result in severe eye damage. Always wear safety glasses or eye shields while operating the snow thrower. We recommend standard safety glasses or use a wide vision safety mask over your glasses.

HOW TO MOVE FORWARD

1. Hold the **auger drive lever** against the **handle** (See Figure 8). The auger will begin rotating.
2. To go forward, raise the **handle** to allow the **rubber auger blades** to contact the ground. Maintain a firm hold on the **handle** as the snow thrower starts to move forward. Guide the snow thrower by moving the **handle** either left or right. Do not attempt to push the snow thrower.
3. To stop, release the **auger drive lever**.

NOTE: If the auger continues to rotate, see "How To Adjust The Auger Control Cable" in the Service and Adjustments section.

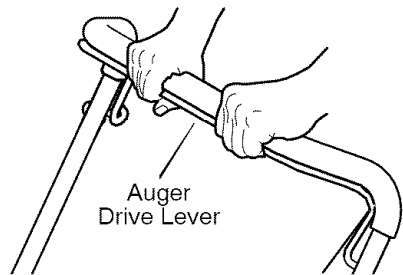


Figure 8

BEFORE STARTING THE ENGINE

1. Before you service or start the engine, familiarize yourself with the snow thrower. Be sure you understand the function and location of all controls.
2. Be sure that all fasteners are tight.
3. Before starting the engine, make sure all controls operate correctly.

OPERATION

To Add Oil

NOTE: Engine may already contain some residual oil. Check frequently when filling the crankcase. **DO NOT** overfill.

The snow thrower was shipped with a container of 5W30 motor oil. This oil must be added to the engine before operating.

1. Remove oil fill cap/dipstick access panel.
2. Remove the oil fill cap/dipstick and wipe with a clean cloth.
3. Insert the oil fill cap/dipstick and turn clockwise to tighten.
4. Remove the oil fill cap/dipstick and check the oil.
5. If necessary, add oil until the oil reaches the FULL mark on the oil fill cap/dipstick (see Figure 9). Do not add too much oil.

6. Tighten the fill cap/dipstick securely each time you check the oil level.
7. Install the oil fill cap/dipstick access panel.

NOTE: Synthetic oil can assist with starting in extreme cold temperatures. Synthetic 5W30 is acceptable for all temperatures. **DO NOT** mix oil with gasoline.

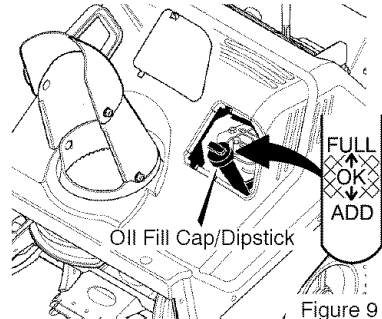


Figure 9

NOTE: Oil level must be at FULL mark.

To Add Gas

This engine is certified to operate on gasoline. Exhaust Emission Control System: EM (Engine Modifications).

WARNING: Alcohol blended fuels (called gasohol or those using ethanol or methanol) can attract moisture which leads to separation and formation of acids during storage. Acidic gas can damage the fuel system of an engine while in storage.

NOTE: To avoid engine problems, the fuel system must be emptied before storage for 30 days or longer. Start the engine and let it run until the fuel lines and carburetor are empty. Use fresh fuel next season. See the **Storage** section in this manual for additional information.

F-051010C

formation.

Never use engine or carburetor cleaner products in the fuel tank or permanent damage may occur.

1. Fill the fuel tank only with a fresh, clean, unleaded regular, unleaded premium, or reformulated automotive gasoline with a minimum of 85 octane. **DO NOT** use leaded gasoline. We recommend that you add fuel stabilizer to the gasoline. Use the fuel stabilizer supplied with the unit or purchase Craftsman Fuel Stabilizer No. 3550. Make sure that the container you pour the gasoline from is clean and free from rust or other foreign particles. Never use gasoline that may be stale from long periods of storage in the container.

OPERATION



WARNING: Gasoline is flammable. Always use caution when handling or storing gasoline.

- Turn engine off and let engine cool at least two minutes before removing the gas cap.
- Do not fill fuel tank while snow thrower is running, when it is hot, or when snow thrower is in an enclosed area.
- Keep away from open flame or an electrical spark and do not smoke while filling the fuel tank.
- Never fill the tank completely. Fill the tank to approximately 1-1/2" below the top of the tank opening to provide space for expansion of fuel.
- Always fill fuel tank outdoors and use a funnel or spout to prevent spilling.
- Make sure to wipe up any spilled fuel before starting the engine.
- Store gasoline in a clean, approved container and keep the cap in place on the container.

HOW TO STOP ENGINE

CAUTION: To stop the engine, do not move the choke control to **CHOKE** position. Backfire or engine damage can occur.

1. Turn the **key** to the OFF position.

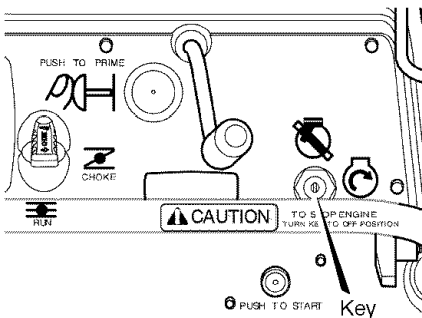


Figure 10

HOW TO START THE ENGINE

Be sure that the engine oil is at **FULL** mark on dipstick. The snow thrower engine is equipped with a 120 volt A.C. F-051010C

electric starter and recoil starter. Before starting the engine, be certain that you have read the following information.

If engine floods, set the choke to the **OPEN/RUN** position and crank until the engine starts.



WARNING: Rapid retraction of the starter cord (kick-back) will pull your hand or arm toward the engine faster than you can let go of the starter cord. Broken bones, fractures, bruises, or sprains could result.

- When starting the engine, slowly pull the starter cord until resistance is felt. Then, rapidly pull the starter cord.
- Before starting the engine, remove all external equipment/engine loads.
- Make sure components; such as impellers, pulleys or sprockets, are securely attached.

OPERATION



WARNING: The starter is equipped with a three-wire power cord and plug and is designed to operate on 120 volt AC household current. It must be properly grounded at all times to avoid the possibility of electrical shock which may be injurious to operator.

- Follow all instructions carefully as set forth in the “To Start Engine” section.
- Determine that your house wiring is a three-wire grounded system. Ask a licensed electrician if you are not sure. If your house wire system is not a three-wire system, do not use this electric starter under any conditions.

- If your system is grounded and a three-hole receptacle is not available at the point your starter will normally be used, one should be installed by a licensed electrician.
- When connecting 120 volt AC “Power Cord”, always connect the cord to the Switch Box on the engine first, then plug the other end into the three-hole grounded receptacle. When disconnecting “Power Cord”, always unplug the end in the three-hole grounded receptacle first.

How To Start A Cold Engine

1. Make sure auger drive lever is in the disengaged (**RELEASED**) position.
2. Move the choke control to the **START** position (see Figure 11).

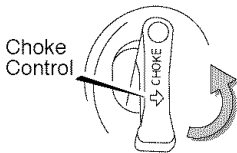


Figure 11

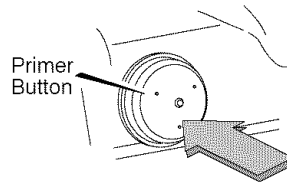


Figure 12

3. (**Electric Start**) Plug the power cord into the **starter motor** on the engine. Plug the other end of power cord into a three-hole, grounded 120 VOLT, AC receptacle.
4. Push the **primer button** as specified below. Remove finger from primer button between pushes (see Figure 12).
 - Push two times if temperature is 15° F (-9° C) or higher.
 - Push four times if temperature is below 15° F (-9° C).

5. (**Electric Start**) Turn the **key** to the **START** position (see Figure 13). To prolong the life of the starter, do not crank for more than 5 seconds at a time. Wait one minute between starts to allow the starter motor to cool.

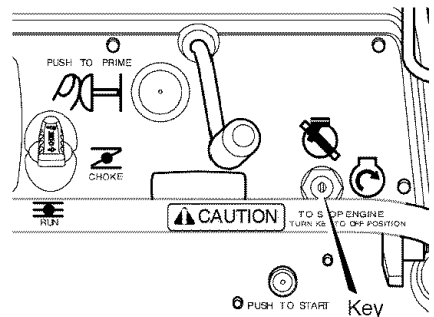


Figure 13

OPERATION

6. **(Recoil Start)** Turn the **key** to the ON position (see Figure 13). Slowly pull the **recoil starter handle** until resistance is felt and then pull rapidly to start the engine (see Figure 14). Do not allow the **recoil starter handle** to snap back. Slowly return the **recoil starter handle**.
7. If the engine does not start in 5 or 6 tries, See Difficult Starting in the "Troubleshooting Table".
8. Allow the engine to warm up for several minutes. As the engine warms up, adjust the **choke knob** toward the RUN position. Wait until the engine runs smoothly before each choke adjustment.
9. **(Electric Start)** First disconnect power cord from receptacle. Then,

disconnect the power cord from the **starter motor**.

Pull starter handle rapidly.

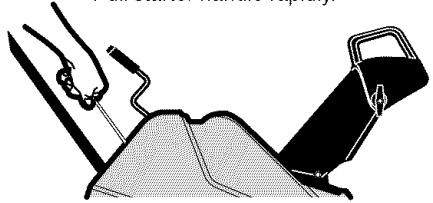


Figure 14

How To Start A Warm Engine

If restarting a warm engine after a short shutdown, leave choke at "OFF" and do not push the primer button. If the engine fails to start, follow the Cold Start instructions.

Frozen Starter

If the starter is frozen and will not turn the engine, follow the steps below.

1. Pull as much starter rope as possible out of the starter.
2. Release the starter handle and let it snap back against the starter. Repeat until the engine starts.

Warm engines will cause condensation in cold weather. To prevent possible freeze-up of recoil starter and engine controls, proceed as follows after each snow removal job.

1. With engine off, allow engine to cool for several minutes.
2. Pull starter rope very slowly until resistance is felt, then stop. Allow the starter rope to recoil. Repeat three times.
3. With the engine not running, wipe all snow and moisture from the carburetor cover in area of controls and levers. Also, move the choke control and starter handle several times.



WARNING: Never run engine indoors or in enclosed, poorly ventilated areas. Engine exhaust contains CARBON MONOXIDE, AN ODORLESS AND DEADLY GAS. Keep hands, feet, hair and loose clothing away from any moving parts on engine and snow thrower.

- **Engine parts, especially the muffler, become extremely hot. Severe thermal burns can occur on contact. Allow the engine to cool before touching.**
- **Never allow children to operate the snow thrower. Never allow adults to operate the snow thrower without proper instruction.**
- **Keep the area of operation clear of all persons, particularly small children and pets.**
- **Never leave the snowthrower unattended while the engine is running. Anyone operating the engine or equipment must carefully read and understand the operating instructions.**

OPERATION

HOW TO REMOVE OBJECTS FROM AUGER



WARNING: Do not attempt to remove any item that may become lodged in auger without taking the following precautions:

- Release auger drive lever.
- Rotate the ignition switch key to the stop position to stop the engine.
- Disconnect spark plug wire.
- Do not place your hands in the auger or discharge chute. Use a pry bar.

SNOW THROWING TIPS

1. When the handle is raised, the auger blades will engage the ground and the snow thrower will move forward. When the auger drive lever is released, the auger blades will stop. If the blades do not stop, see "How To Adjust The Auger Drive Cable" in the Service And Adjustment section.
2. Most efficient snow throwing is accomplished when the snow is removed immediately after it falls.
3. For complete snow removal, slightly overlap each previous path.
4. Whenever possible, discharge the snow down wind.
5. The distance the snow will be discharged can be adjusted by moving the discharge chute deflector. Raise the deflector for more distance or lower the deflector for less distance.
6. In windy conditions, lower the chute deflector to direct the discharged snow close to the ground where it is less likely to blow into unwanted areas.
7. For safety and to prevent damage to the snow thrower, keep the area to be cleared free of stones, toys and other foreign objects.
8. When clearing snow from crushed rock or gravel driveways, do not allow the auger blades to contact the driveway. Move the handle down to slightly raise the auger blades.
9. The forward speed of the snow thrower is dependent on the depth and weight of the snow. Experience will establish the most effective method of using the snow thrower under different conditions.

10. After each snow throwing job, allow the engine to run for a few minutes. The snow and accumulated ice will melt off the engine.
11. Clean the snow thrower after each use.
12. Remove ice, snow and debris from the entire snow thrower. Flush with water to remove all salt or other chemicals. Wipe snow thrower dry.

DRY AND AVERAGE SNOW

1. Snow up to eight inches deep can be removed rapidly and easily by walking at a moderate rate. For snow or drifts of a greater depth, slow your pace to allow the discharge chute to dispose of the snow as rapidly as the auger receives the snow.
2. Plan to have the snow discharged in the direction the wind is blowing.

WET PACKED SNOW

Move slowly into wet, packed snow. If the wet, packed snow causes the auger to slow down or the discharge chute begins to clog, back off and begin a series of short back and forth jabs into the snow. These short back and forth jabs, four to six inches, will "belch" the snow from the chute.

SNOW BANKS AND DRIFTS

In snow of greater depth than the unit, use the same "jabbing" technique described above. Turn the discharge chute away from the snow bank. More time will be required to remove snow of this type than level snow.

MAINTENANCE

CUSTOMER RESPONSIBILITIES

SERVICE RECORDS Fill in dates as you complete regular service.	Before Each Use	Often	Every 8 Hours	Every 25 Hours	Every 50 Hours	Every 100 Hours	Each Season	Before Storage
Check Engine Oil Level	✓		✓					
Change Engine Oil					✓			
Tighten All Screws and Nuts	✓	✓						
Check and Clean Spark Plug				✓				
Replace Spark Plug						✓		
Clean and Inspect Spark Arrestor					✓			
Lubricate Chute Control Flange								✓
Check Fuel	✓							
Check Adjustment of Auger Control Cable				✓				

GENERAL RECOMMENDATIONS

The warranty on this snow thrower does not cover items that have been subjected to operator abuse or negligence. To receive full value from the warranty, the operator must maintain the snow thrower as instructed in this manual. Some adjustments will need to be made periodically to properly maintain your snow thrower.

Maintenance, replacement, or repair of the emission control devices and systems can be performed by any non-road engine repair establishment or individual. Regular maintenance will improve the performance and extend the life of the engine.



WARNING: Do not strike the flywheel with a hammer or a hard object. If done, the flywheel can shatter during operation. Do not tamper with the governor spring, links or other parts to increase engine speed.

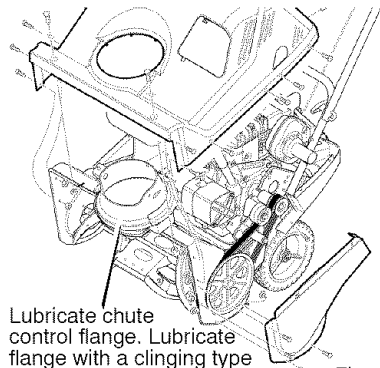
AFTER EACH USE

- Run the machine to clear the auger of snow.

F-051010C

- To prevent freezing of the auger or controls, remove all snow and slush from the snow thrower.
- Check for any loose or damaged parts.
- Tighten any loose fasteners.
- Check and maintain the auger.
- Check controls to make sure they are functioning properly.
- If any parts are worn or damaged, replace immediately.

LUBRICATION BEFORE STORAGE



Lubricate chute control flange. Lubricate flange with a clinging type grease such as Lubriplate.

Figure 15

MAINTENANCE

ENGINE SPECIFICATIONS

HORSEPOWER	5 HP
DISPLACEMENT	148 cc
BORE	65mm (2.562 in.)
STROKE	45mm (1.750 in.)
GASOLINE CAPACITY	2 quarts (85 octane leaded)
OIL CAPACITY (16 oz capacity)	5W30
SPARK PLUG:	Champion RJ19LM (Gap .030 in.) or equivalent
VALVE CLEARANCE:	Intake: 0.005-0.007 in. Exhaust: 0.007-0.009 in.
ARMATURE AIR GAP:	0.006-0.010 in.

POWER RATINGS

The power ratings for an individual engine model are initially developed by starting with SAE (Society of Automotive Engineers) code J1940 (Small

Engine Power & Torque Rating Procedure) (Revision 2002-05). Given both the wide array of products on which our engines are placed, and the variety of environmental issues applicable to operating the equipment, it may be that the engine you have purchased will not develop the rated horsepower when used in a piece of power equipment (actual "on-site" power). This difference is due to a variety of factors including, but not limited to, the following: differences in altitude, temperature, barometric pressure, humidity, fuel, engine lubrication, maximum governed engine speed, individual engine to engine variability, design of the particular piece of power equipment, the manner in which the engine is operated, engine run-in to reduce friction and clean out of combustion chambers, adjustments to the valves and carburetor, and other factors. The power ratings may also be adjusted based on comparisons to other similar engines utilized in similar applications, and will therefore not necessarily match the values derived using the foregoing codes.

SNOW THROWER

ENGINE

LUBRICATION

Check the crankcase oil level before starting the engine and after each eight (8) hours of continuous use. See Figure 16. Add S.A.E. 5W30 motor oil as needed. Synthetic 5W30 is acceptable for all temperatures. Tighten fill cap/dipstick securely each time you check the oil level.

F-051010C

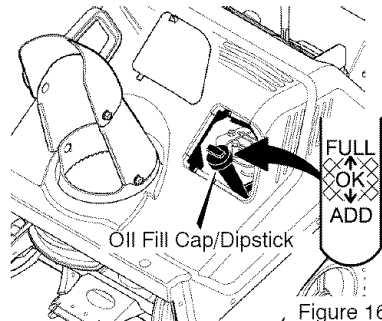


Figure 16

NOTE: Oil level must be at FULL mark.

MAINTENANCE

Change the oil every fifty (50) hours or at least once a year if the snow thrower is not used for fifty (50) hours.

TO CHANGE ENGINE OIL

1. Position the snow thrower so that the **oil drain plug** is at the lowest point on the engine.
2. When the engine is warm, remove the **oil drain plug** (see Figure 17) and the **oil fill cap/dipstick** (see Figure 16). Drain the oil into a suitable container.
3. After draining all the oil, reinstall the oil drain plug securely.
4. Fill the engine crankcase with the recommended motor oil, pouring slowly. **DO NOT OVERFILL.** See

“To Add Oil” in the Operation Section.

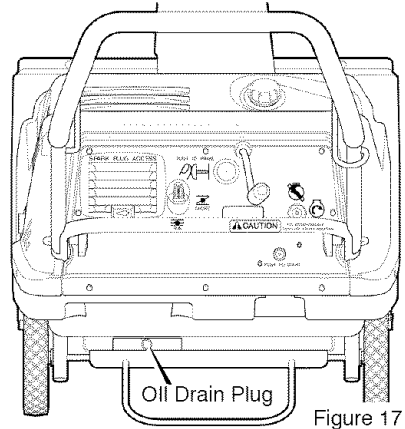


Figure 17

TO ADJUST OR REPLACE THE SPARK PLUG

Check the **spark plug** every **25** hours. Replace the **spark plug** if the electrodes are pitted or burned, if the porcelain is cracked, or every **100** hours of use.

The spark plug is housed in the engine compartment under the top cover and cannot be seen under normal conditions.

1. Open the spark plug **access door** on the control panel (Figure 18).
2. The spark plug and wire are now visible.
3. Remove the spark plug wire.
4. Clean the area around the spark plug base to prevent dirt from entering the engine when the spark plug is removed.
5. Remove the spark plug.
6. Check the spark plug. If the spark plug is cracked, fouled or dirty, it must be replaced .
7. Set the gap between the electrodes of the new spark plug at 0.030 inch (Figure 19).

8. Install the spark plug in the cylinder head and firmly tighten.

Access Door

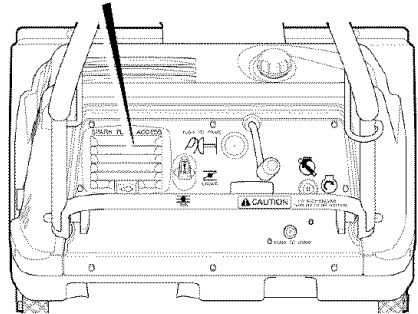
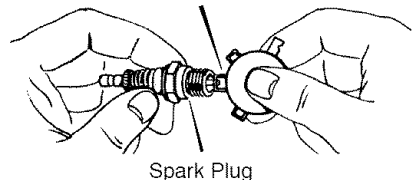


Figure 18

Feeler Gauge
0.030"



Spark Plug

Figure 19

MAINTENANCE



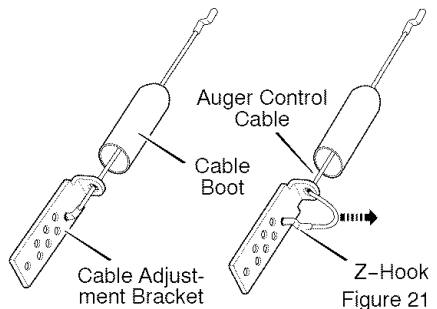
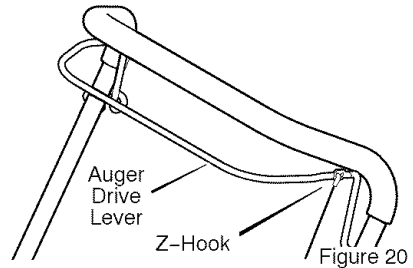
WARNING: To prevent accidental starting when making any adjustments or repairs, always disconnect the spark plug wire and place it where it cannot make contact with the spark plug.

ADJUST AUGER CONTROL CABLE

The auger control cable is adjusted at the factory. During normal use, the auger control cable can become stretched and the auger drive lever will not properly engage or disengage the auger.

1. Remove the **“Z” hook** from the **auger drive lever** (Figure 20).
2. Slide the **cable boot**, if equipped, up the **auger control cable** until the **cable boot** does not cover any portion of the **cable adjustment bracket** (Figure 21).
3. Pull the **auger control cable** through the eyehole in the **cable adjustment bracket** as shown by the arrow in Figure 21. This will create enough slack to allow the **“Z” hook** to be easily removed.
4. Install the **“Z” hook** into the next available adjustment hole in the **cable adjustment bracket**. This is the adjustment hole located one notch down from where the **“Z” hook** was previously attached.
5. Pull the **auger control cable** back through the eyehole of the **cable adjustment bracket** until all the slack is taken out of the **auger control cable**.
6. Slide the **cable boot** back down over the **cable adjustment bracket**.

7. Install the **“Z” hook** to the **auger drive lever** (Figure 20).
8. To check the adjustment, start the snow thrower. Make sure the auger does not rotate when the **auger drive lever** is released. Engage the **auger drive lever** and make sure auger rotates. If the auger does not rotate, repeat this “Adjust Auger Control Cable” procedure.



SERVICE AND ADJUSTMENT

HOW TO REMOVE THE TOP COVER

1. Remove the **discharge chute**. See "How To Remove The Discharge Chute".
2. Remove the fuel cap.
3. Remove the two **bolts (A)** and nuts from the front of the **top cover**.
4. Remove the two **bolts (B)** and nuts from the left and right side of the **top cover**.
5. Remove the eight **screws (C)** on the left and right side of the **top cover**.
6. Remove the five **screws (D)** from the top portion of the control panel.
7. Carefully pull the rear of the **top cover** up and over the gas tank.

8. To install the **top cover**, reverse the above steps.

HOW TO REMOVE THE BELT COVER

1. Remove the **bolts (E)** and nuts that hold the **belt cover** to the auger housing.
2. If the top cover has not been removed, then remove the **screws (C)** that attach the **belt cover** to the **top cover**.
3. Remove **screw (F)** that holds the **belt cover** to the **bottom cover**.
4. To remove, hold the bottom portion of the **belt cover** and pull down and out.
5. To install the **belt cover**, reverse the above steps.

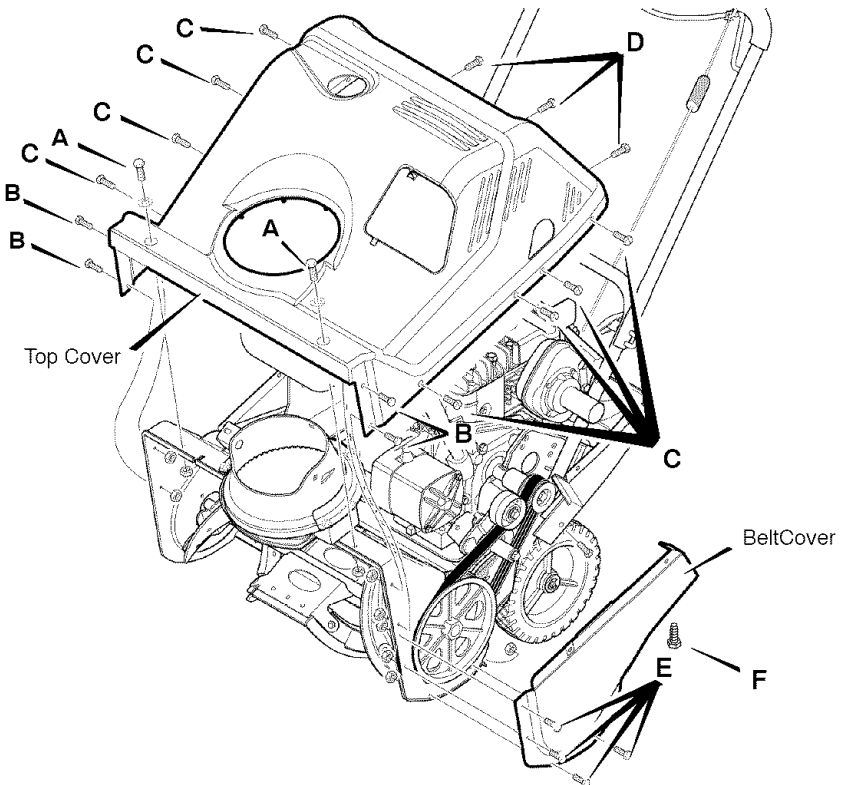


Figure 22

SERVICE AND ADJUSTMENT

HOW TO REPLACE THE DRIVE BELT

The drive belt is of special construction and must be replaced with original factory replacement belt available from your nearest Sears service center.

1. Remove the belt cover. See "How To Remove The Belt Cover".
2. Remove the **drive belt** from the **idler pulley** (Figure 23).
3. Move the **belt guide** away from the belt.
4. To reduce pressure on the drive belt, move the idler pulley away from the belt. Remove the drive belt from between the **brake pad** and the **brake roller**.
5. Remove the old **drive belt**.
6. To install the new **drive belt**, reverse the above steps.
7. Make sure the **drive belt** is seated properly on the pulleys.
8. Set the belt guide to 3/32" clearance as shown in Figure 24.

NOTE: When the auger control lever is engaged, the belt guide must be 3/32" from the drive belt.

9. Install belt cover. See "How To Remove The Belt Cover".

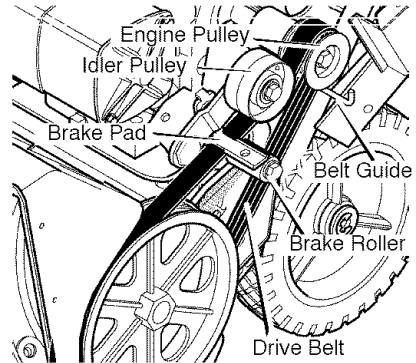


Figure 23

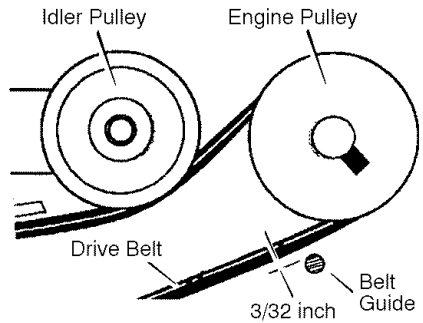


Figure 24

HOW TO REMOVE THE AUGER

1. Remove the belt cover. See "How To Remove The Belt Cover".
2. Remove the drive belt. See "How To Replace The Drive Belt".
3. Remove the **auger pulley (1)** from the auger shaft (threads are left hand; turn clockwise to remove).
4. To keep the auger from rotating, set a 2"x4" piece of wood on the center paddle to secure auger.
5. Remove the two **nuts (A)** that secure the **bearing assembly**. Remove the **bearing assembly** from the **auger housing**.
6. Slide the **auger** toward the left and out of the bearing assembly on the right side of the snow thrower.

7. Tip the **auger** enough to allow the **auger** to slide out of the **auger housing**.
8. To install **auger**, reverse the above steps.

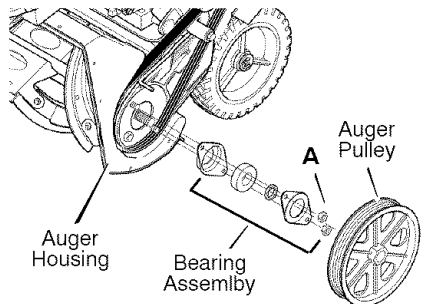


Figure 25

SERVICE AND ADJUSTMENT

HOW TO REMOVE THE CHUTE

1. Remove the fasteners that secure the **chute** to the **top cover**.
2. Remove the **chute**.

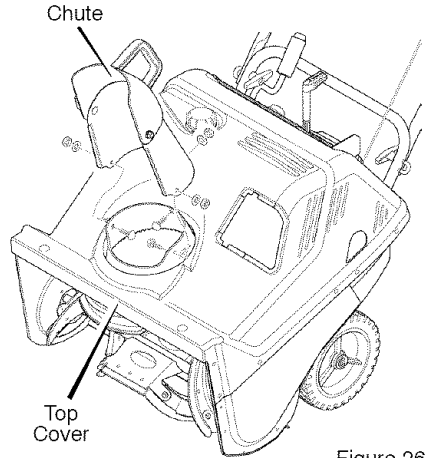


Figure 26

HOW TO ADJUST THE BRAKE PAD

IMPORTANT: An adjustment is only necessary if the brake pad has become loose or has been removed. To adjust, proceed as follows:

1. Remove the top cover. See "How To Remove The Top Cover".
2. Remove the belt cover. See "How To Remove The Belt Cover".
3. Tie the auger drive lever to the handle. This will engage the drive system.
4. Loosen the **screw** and nut on the **brake pad arm** (Figure 27).
5. Set the clearance between the **brake pad** and the **drive belt** to **1/8 inch**.
6. Tighten the **screw** and nut on the **brake pad arm**.

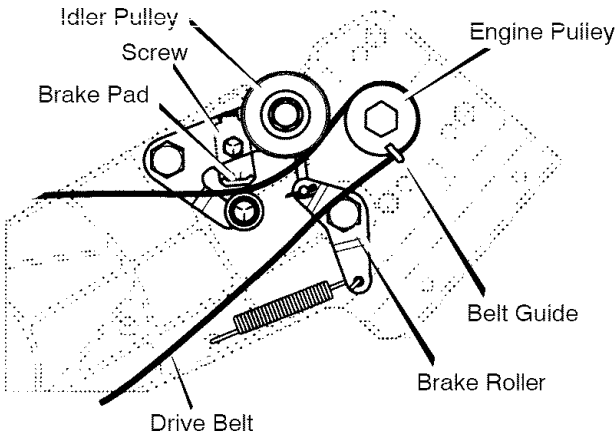


Figure 27

STORAGE



WARNING: Never store your snow thrower with gasoline in the fuel tank indoors or in an enclosed, poorly ventilated area. If gasoline remains in the tank, fumes may reach an open flame, spark or pilot light from a furnace, water heater, clothes dryer, cigarette, etc.

To prevent damage (if snow thrower is not used for more than 30 days) follow the steps below.

SNOW THROWER

1. Thoroughly clean the snow thrower.
2. Lubricate all lubrication points. See the **Maintenance** section.
3. Be sure that all nuts, bolts and screws are securely fastened. Inspect all visible moving parts for damage, breakage and wear. Replace if necessary.
4. Touch up all rusted or chipped paint surfaces; sand lightly before painting.
5. Cover the bare metal parts of the blower housing auger and the impeller with rust preventative, such as a spray lubricant.

NOTE: A yearly checkup or tune-up by a Sears service center is a good way of ensuring that your snow thrower will provide maximum performance for the next season.

ENGINE

Gasoline must be removed or treated to prevent gum deposits from forming in the fuel tank, filter, hose, and carburetor during storage. Also, during storage alcohol blended gasoline that uses ethanol or methanol (sometimes called gasohol) attracts water. It acts on the gasoline to form acids which damage the engine.

1. Run the engine until the fuel tank is empty and the engine stops.
2. If you do not remove the gasoline, use fuel stabilizer supplied with unit or purchase Craftsman Fuel Stabilizer No. 3550. Add fuel stabilizer to any gasoline left in the tank to minimize gum deposits and acids. If the fuel tank is almost empty, mix stabilizer with fresh gasoline in a separate container and add some to the fuel tank.
3. Always follow the instructions on the stabilizer container. After the stabilizer is added to the fuel tank, run the engine at least ten minutes to allow the mixture to reach the carburetor.
4. Change the engine oil.
5. Remove the spark plug and pour about 15 ml (1/2 oz) of engine oil into the cylinder. Replace the spark plug and crank slowly to distribute the oil.
6. Store in a clean and dry area, but **NOT** near a stove, furnace or water heater which uses a pilot light or any device that can create a spark.

OTHER

1. If possible, store your snow thrower indoors and cover it to give protection from dust and dirt.
2. If the snow thrower must be stored outdoors, put the snow thrower on blocks to raise it off of the ground.
3. Cover the snow thrower with a suitable protective cover that does not retain moisture. Do not use plastic.

IMPORTANT: Never cover snow thrower while engine and exhaust areas are still warm.

TROUBLESHOOTING

TROUBLE	CAUSE	CORRECTION
Difficult starting	Defective spark plug.	Replace spark plug.
	Water or dirt in fuel system.	Drain and clean the fuel tank. Refill with fresh fuel mixture.
Engine runs erratically	Blocked fuel line, empty gas tank, or stale fuel mixture.	Clean fuel line; check fuel supply; add fresh fuel mixture.
Engine stalls	Unit running on CHOKE.	Set choke lever to run or off position.
Engine runs erratically; Loss of power	Water or dirt in fuel system.	Drain and clean the fuel tank. Refill with fresh fuel mixture.
Excessive vibration	Damaged auger assembly	Repair or replace the auger assembly.
	Loose parts. Damaged impeller.	Immediately stop engine. Remove ignition key. Tighten all fasteners and make all necessary repairs. If vibration continues, take the unit to a Sears service center.
Unit fails to propel itself	Drive belt loose or damaged.	Replace drive belt.
	Incorrect adjustment of auger drive cable	Adjust auger drive cable.
Unit fails to discharge snow	Auger drive belt loose or damaged.	Adjust auger drive belt; replace if damaged.
	Auger control cable not adjusted correctly.	Adjust auger control cable.
	Discharge chute clogged.	Stop engine immediately and disconnect spark plug wire. Clean discharge chute and inside of auger housing.
	Foreign object lodged in auger	Stop engine immediately and disconnect spark plug wire. Remove object from auger.

(This page applicable in the U.S.A. and Canada only.)

Sears, Roebuck and Co., U.S.A. (Sears), the California Air Resources Board (CARB) and the United States Environmental Protection Agency (U.S. EPA) Emission Control System Warranty Statement (Owner's Defect Warranty Rights and Obligations)

The California Air Resources Board (CARB), U.S. EPA and Sears are pleased to explain the Emission Control System Warranty on your model year 2000 and later small off-road engine (SORE). In California, new small off-road engines model year 2006 and later must be designed, built and equipped to meet the State's stringent anti-smog standards. Elsewhere in the United States, new non-road, spark-ignition engines certified for model year 1997 and later must meet similar standards set forth by the U.S. EPA. Sears must warrant the emission control

system on your engine for the periods of time listed below, provided there has been no abuse, neglect or improper maintenance of your small off-road engine. Your emission control system includes parts such as the carburetor, air cleaner, ignition system, fuel line, muffler and catalytic converter. Also included may be connectors and other emission related assemblies.

Where a warrantable condition exists, Sears will repair your small off-road engine at no cost to you including diagnosis, parts and labor.

Sears, Roebuck and Co. Emission Control Defects Warranty Coverage

Small off-road engines are warranted relative to emission control parts defects for a period of two years, subject to

provisions set forth below. If any covered part on your engine is defective, the part will be repaired or replaced by Sears.

Owner's Warranty Responsibilities

As the small off-road engine owner, you are responsible for the performance of the required maintenance listed in your Operating and Maintenance Instructions. Sears recommends that you retain all your receipts covering maintenance on your small off-road engine, but Sears cannot deny warranty solely for the lack of receipts or for your failure to ensure the performance of all scheduled maintenance.

As the small off-road engine owner, you should however be aware that Sears may deny you warranty coverage if your small off-road engine or a part has failed due to abuse, neglect, improper maintenance or

unapproved modifications.

You are responsible for presenting your small off-road engine to an Authorized Sears Service Dealer as soon as a problem exists.

The undisputed warranty repairs should be completed in a reasonable amount of time, not to exceed 30 days.

If you have any questions regarding your warranty rights and responsibilities, you should contact a Sears Service Representative at 1-800-469-4663.

The emission warranty is a defects warranty. Defects are judged on normal engine performance. The warranty is not related to an in-use emission test.

Sears, Roebuck and Co. Emission Control Defects Warranty Provisions

The following are specific provisions relative to your Emission Control Defects Warranty Coverage. It is in addition to the Sears engine warranty for non-regulated engines found in the Operating and Maintenance Instructions.

1. Warranted Parts

Coverage under this warranty extends only to the parts listed below (the emission control systems parts) to the extent these parts were present on the engine purchased.

- a. Fuel Metering System
 - Cold start enrichment system
 - Carburetor and internal parts
 - Fuel Pump
 - Fuel line, fuel line fittings, clamps
- b. Air Induction System
 - Air cleaner
 - Intake manifold
- c. Ignition System
 - Spark plug(s)
 - Magneto ignition system
- d. Catalyst System
 - Catalytic converter
 - Exhaust manifold
 - Air injection system, Pulse valve
- e. Miscellaneous Items
 - Vacuum, temperature, position, time sensitive valves and switches
 - Connectors and assemblies

2. Length of Coverage

Sears warrants to the initial owner and each subsequent purchaser that the Warranted Parts shall be free from defects in materials and workmanship which caused the failure of the Warranted Parts for a period of two years from the date the engine is delivered to a retail purchaser.

3. No Charge

Repair or replacement of any Warranted Part will be performed at no charge to the owner, including diagnostic labor which leads to the determination that a Warranted Part is defective, if the diagnostic work is performed at an Authorized Sears

Service Dealer. For emissions warranty service contact your nearest Authorized Sears Service Dealer as listed in the "Yellow Pages" under "Engines, Gasoline," "Gasoline Engines," "Lawn Mowers," or similar category.

4. Claims and Coverage Exclusions

Warranty claims shall be filed in accordance with the provisions of the Sears Engine Warranty Policy. Warranty coverage shall be excluded for failures of Warranted Parts which are not original Sears parts or because of abuse, neglect or improper maintenance as set forth in the Sears Engine Warranty Policy. Sears is not liable to cover failures of Warranted Parts caused by the use of add-on, non-original, or modified parts.

5. Maintenance

Any Warranted Part which is not scheduled for replacement as required maintenance or which is scheduled only for regular inspection to the effect of "repair or replace as necessary" shall be warranted as to defects for the warranty period. Any Warranted Part which is scheduled for replacement as required maintenance shall be warranted as to defects only for the period of time up to the first scheduled replacement for that part. Any replacement part that is equivalent in performance and durability may be used in the performance of any maintenance or repairs. The owner is responsible for the performance of all required maintenance, as defined in the Sears Operating and Maintenance Instructions.

6. Consequential Coverage

Coverage hereunder shall extend to the failure of any engine components caused by the failure of any Warranted Part still under warranty.

Look For Relevant Emissions Durability Period and Air Index Information On Your Engine Emissions Label

Engines that are certified to meet the California Air Resources Board (CARB) Tier 2 Emission Standards must display information regarding the Emissions Durability Period and the Air Index. Sears, Roebuck and Co., U.S.A. makes this information available to the consumer on our emission labels.

The **Emissions Durability Period** describes the number of hours of actual running time for which the engine is certified to be emissions compliant, assuming proper maintenance in accordance with the Operating & Maintenance Instructions. The following categories are used:

Moderate: Engine is certified to be emission compliant for 125 hours of actual engine running time.

Intermediate: Engine is certified to be emission compliant for 250 hours of actual engine running time.

Extended: Engine is certified to be emission compliant for 500 hours of actual engine running time.

For example, a typical walk-behind lawn mower is used 20 to 25 hours per year. Therefore, the **Emissions Durability Period** of an engine with an **intermediate** rating would equate to 10 to 12 years.

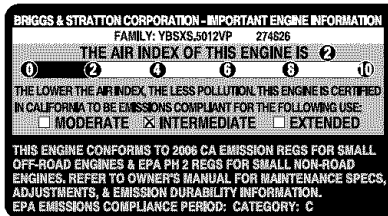
The **Air Index** is a calculated number describing the relative level of emissions for a specific engine family. The lower the **Air Index**, the cleaner the engine. This information is displayed in graphical form on the emissions label.

After July 1, 2000, Look For Emissions Compliance Period On Engine Emissions Compliance Label

After July 1, 2000 certain Sears, Roebuck and Co., U.S.A. engines will be certified to meet the United States Environmental Protection Agency (USEPA) Phase 2 emission standards. For Phase 2 certified engines, the Emissions Compliance Period referred to on the Emissions Compliance label indicates the number of operating hours for which the engine has been shown to meet Federal emission requirements. For engines less than 225 cc displacement, Category C = 125 hours, B = 250 hours and A = 500 hours. For engines of 225 cc or more, Category C = 250 hours, B = 500 hours and A = 1000 hours.

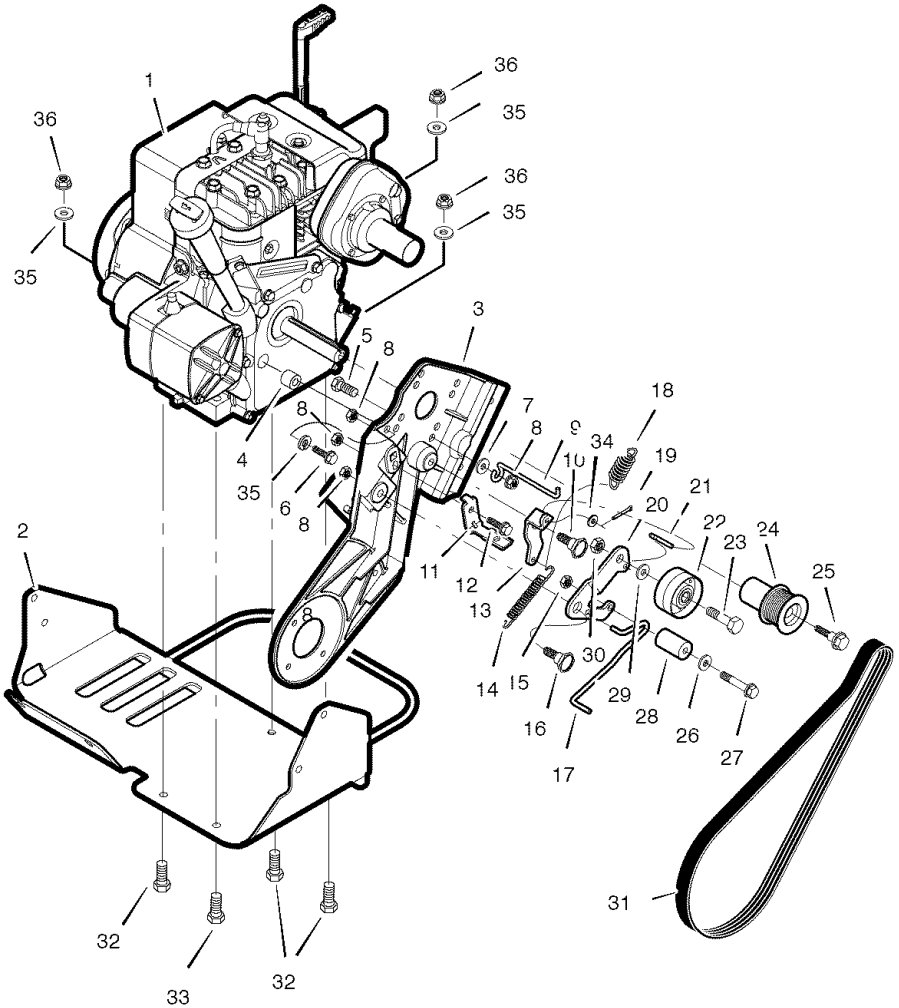
The displacement engines of Model Series 120000 is 190 cc.

This is a generic representation of the emission label typically found on a certified engine.



CRAFTSMAN 22" 5HP SNOW THROWER 536.881501

ENGINE DRIVE ASSEMBLY



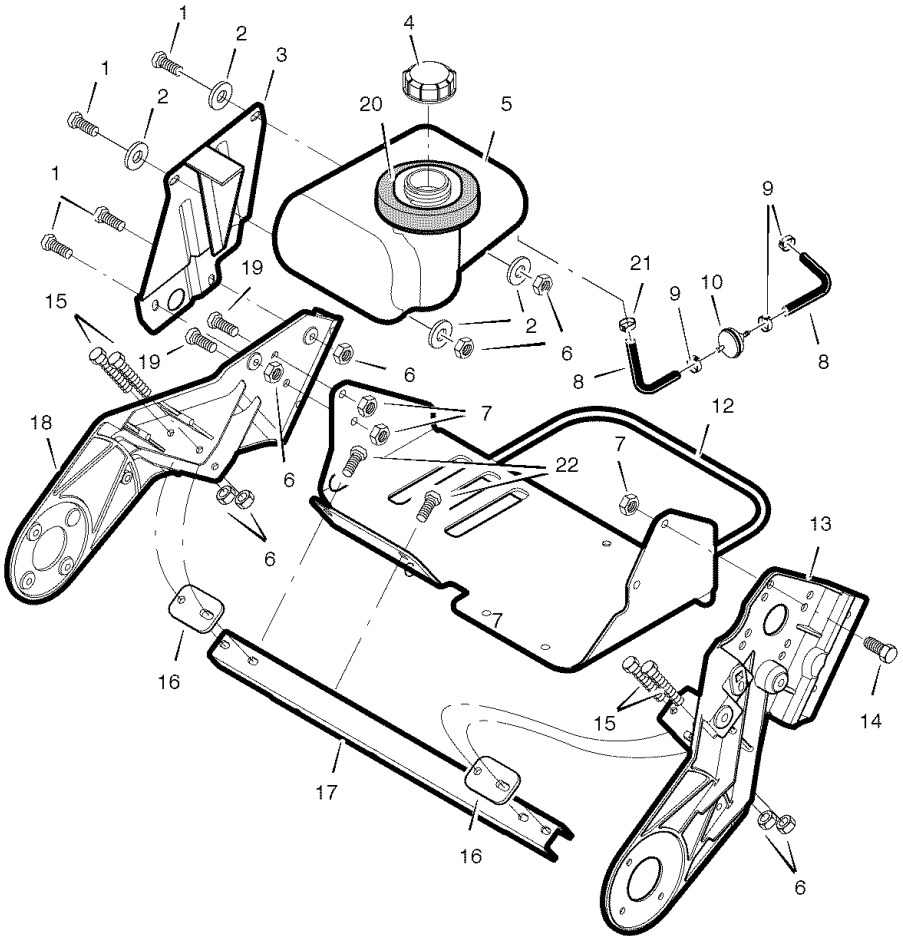
CRAFTSMAN 22" 5HP SNOW THROWER 536.881501

ENGINE DRIVE ASSEMBLY

KEY NO.	PART NO.	DESCRIPTION	KEY NO.	PART NO.	DESCRIPTION
1	-----	Engine	20	320077	Arm, Idler
2	1501849E701	Cradle Assy, Engine	21	313436	Rod, Clutch Linkage
3	1501872	Frame, Left	22	48924	Pulley, Idler
4	1502027	Mount, Antivibration	23	302637	Screw, 3/8-16X1.50
5	1x216	Bolt 5/16-18x 0865	24	1501908	Pulley, Engine
6	6x118	Bolt 5/16-24x1.125	25	1501907	Bolt, Engine Pulley
7	71071	Washer, Flat	26	71067	Washer, Flat
8	71391	Locknut 5/16-18	27	180044	Screw, 1/4-20 x 2.00
9	334079	Guide, Belt	28	1501010	Pinch Roller
10	333594	Bolt	29	301188	Washer, Flat
11	333970	Pad, Brake	30	590	Nut, Hex
12	579052	Screw, 1/4-20 x .63	31	37x130	Belt, Drive
13	313444	Idler, Arm Pivot	32	1x81	Bolt, Hex 5/16-18X1.625
14	313473	Spring	33	47792	Screw 3/8-16X1.00
16	333594	Bolt	34	414106	Washer, Flat
15	73826	Nut Hex 1/4-20	35	71060	Lockwasher, Split
17	1501009	Wire, Brake	36	71037	Nut 5/16-18
18	313471	Spring	--	F-051010C	Book, Instruction
19	121223	Pin, Cotter			

CRAFTSMAN 22" 5HP SNOW THROWER 536.881501

FRAME AND FUEL TANK

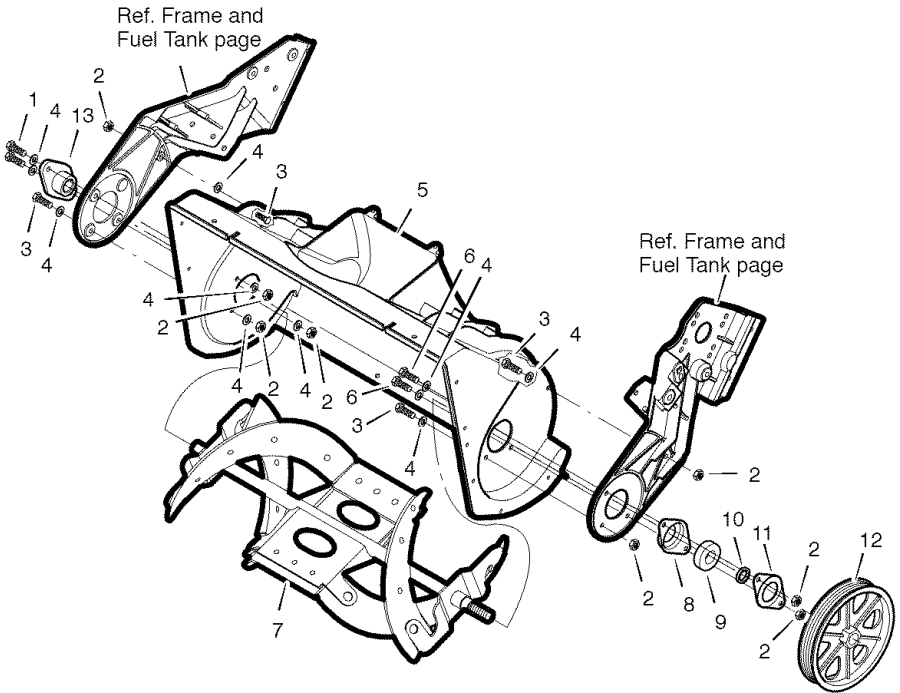


CRAFTSMAN 22" 5HP SNOW THROWER 536.881501 FRAME AND FUEL TANK

KEY NO.	PART NO.	DESCRIPTION
1	302628	Screw 1/4-20 x .75
2	71067	Washer
3	1502053E701	Bracket, Fuel Tank
4	1501726	Cap, Fuel Tank
5	1501875	Tank, Fuel
6	73826	Nut, Hex 1/4-20
7	71391	Nut, Hex 5/16-18
8	1502028	Tubing, Fuel Line 12"
9	323387	Clamp, Fuel Line
10	1501728	Filter, Fuel Line
11	335906	Tubing, Fuel Line
12	1501849E701	Cradle Assy, Engine
13	1501872E701	Frame, LH
14	48901	Screw, 5/16-18 x .63
15	180044	Screw, 1/4-20 x 2.00
16	335351	Plate, Support
17	1501851	Support, Frame
18	1501871E701	Frame, RH
19	180077	Screw, 5/16-18 x .75
20	1501707	Ring, Foam
21	47345	Clamp, Screw Type
22	310169	Screw 1/4-20 x .625

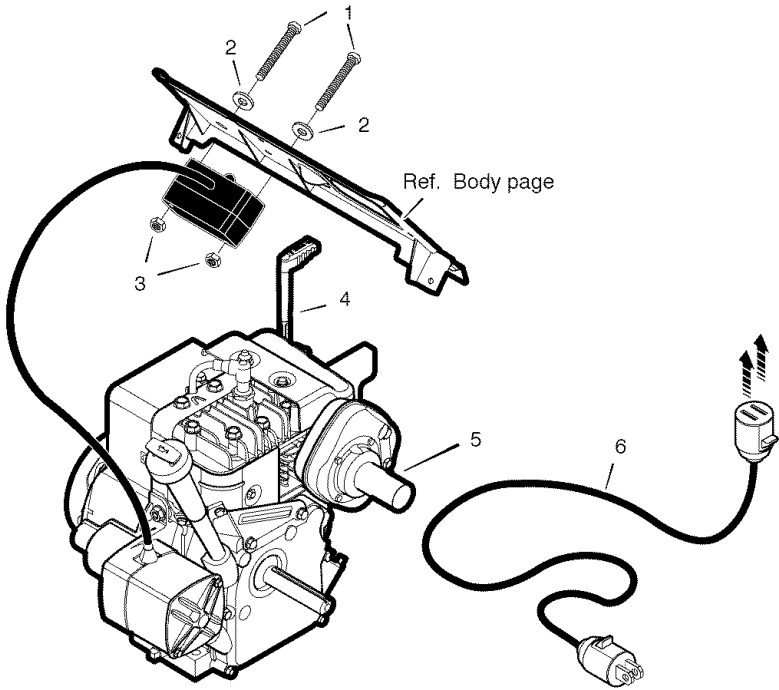
CRAFTSMAN 22" 5HP SNOW THROWER 536.881501

AUGER HOUSING



KEY NO.	PART NO.	DESCRIPTION	KEY NO.	PART NO.	DESCRIPTION
1	710263	Screw 1/4-20 x 1.00	8	580251	Retainer, Bearing
2	73826	Nut, Hex 1/4-20	9	43846	Bearing
3	302628	Screw, 1/4-20 x .75	10	578101	Sleeve, Spacer
4	71067	Washer, Flat	11	334287	Plate, Bearing Retainer
5	1501852	Housing Assy, Auger	12	333446	Pulley, Auger Drive V6
6	579052	Screw, 1/4-20 x .63	13	577023	Bearing, Flange
7	1501981	Auger Assembly, 22"			

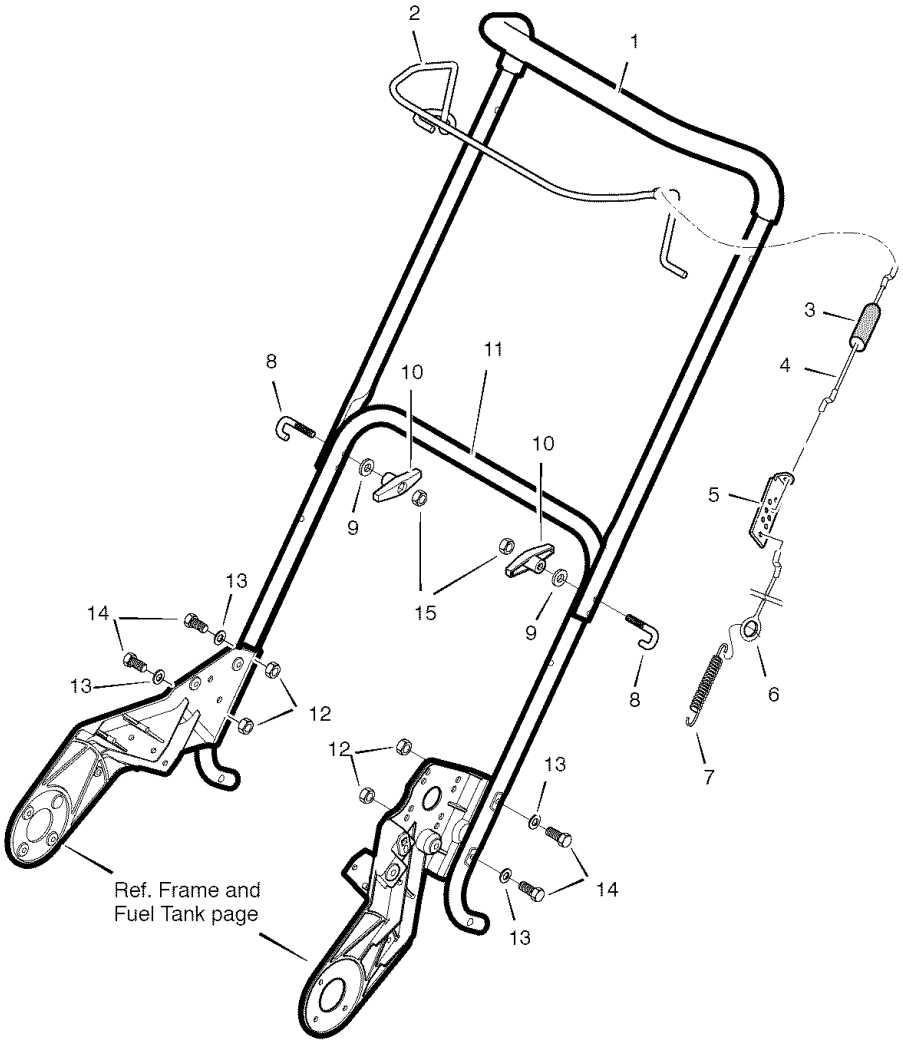
CRAFTSMAN 22" 5HP SNOW THROWER 536.881501 ELECTRIC STARTER



KEY NO.	PART NO.	DESCRIPTION	KEY NO.	PART NO.	DESCRIPTION
1	311633	Screw, No. 8-32 x 3.00	5-3	*	Bolt, Muffler
2	414106	Washer	5-4	71060	Washer, Split Lock
3	271163	Nut, Keps No. 8	5-5	71037	Nut, Hex 5/16-18
4	*	Lever, Choke	5-6	1x81	Bolt, Hex 5/16-18
5-1	*	Muffler	6	6219	Cable, Starter
5-2	*	Gasket, Muffler			

* For Replacement Parts, see the Engine manufacturer.

CRAFTSMAN 22" 5HP SNOW THROWER 536.881501 HANDLE ASSEMBLY



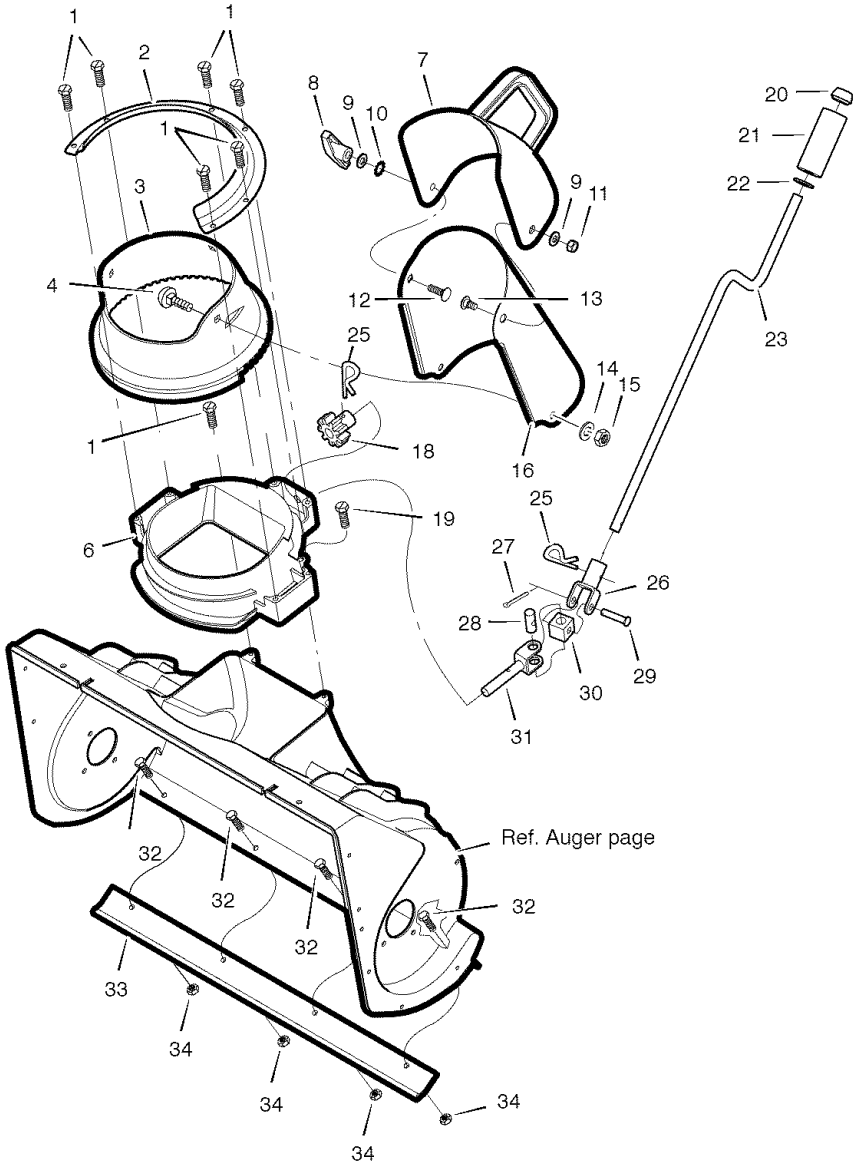
Ref. Frame and
Fuel Tank page

CRAFTSMAN 22" 5HP SNOW THROWER 536.881501 HANDLE ASSEMBLY

KEY NO.	PART NO.	DESCRIPTION
1	1502001	Handle & Grip Assembly
2	1501861E701	Control, Bail
3	308146	Boot, Clutch Spring
4	1502042	Cable, Upper Control
5	313441	Bracket, Control Adjust
6	313448	Cable, Lower Control
7	313471	Spring
8	1501877	U-Bolt
9	311936	Washer
10	57171	Knob, Wing
11	1501860E701	Handle, Lower
12	73826	Nut
13	71067	Washer
14	313674	Screw, 1/4-20 x1.25
15	71037	Nut, 5/16-18

CRAFTSMAN 22" 5HP SNOW THROWER 536.881501

CHUTE ASSEMBLY



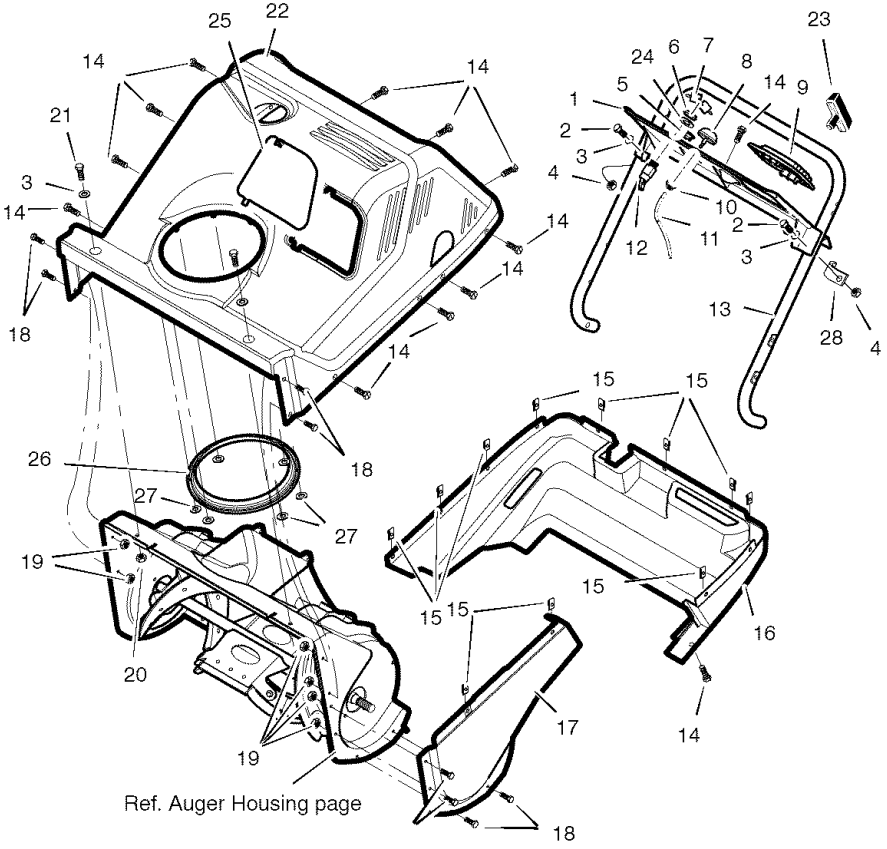
CRAFTSMAN 22" 5HP SNOW THROWER 536.881501

CHUTE ASSEMBLY

KEY NO.	PART NO.	DESCRIPTION	KEY NO.	PART NO.	DESCRIPTION
1	313685	Screw 1/4-14	19	313685	Screw, 1/4-14 x .75
2	1502131	Retainer, Chute Ring	20	331532	Nut, Push
3	1502132	Ring, Chute	21	57082	Knob, Sleeve
4	340720	Bolt, Carr 5/16-18x.75	22	71072	Washer
6	1501848	Neck, Chute	23	1501116	Crank, Chute
7	1501918	Chute, 22" Upper	25	1501293	Pin, Hair
8	1501260	T-Knob	26	1501075	Yoke Assy, Adapter
9	71071	Washer	27	579493	Pin, Cotter
10	19x35	Lockwasher	28	578060	Pin, Universal Joint
11	71391	Locknut 5/16-18	29	578309	Pin, Clevis
12	2x97	Bolt, Carr 5/16-18	30	578063	Housing, Universal
13	1501910	Bolt, Upper Chute	31	1501873	Rod, Lower Crank
14	71072	Washer	32	302628	Screw 1/4-20 x .75
15	71038	Nut	33	1501863	Blade, Scraper
16	1501909	Chute, Lower	34	15x143	Locknut, Hex 1/4-20
18	1501067	Gear, 9-Tooth			

CRAFTSMAN 22" 5HP SNOW THROWER 536.881501

TOP COVER

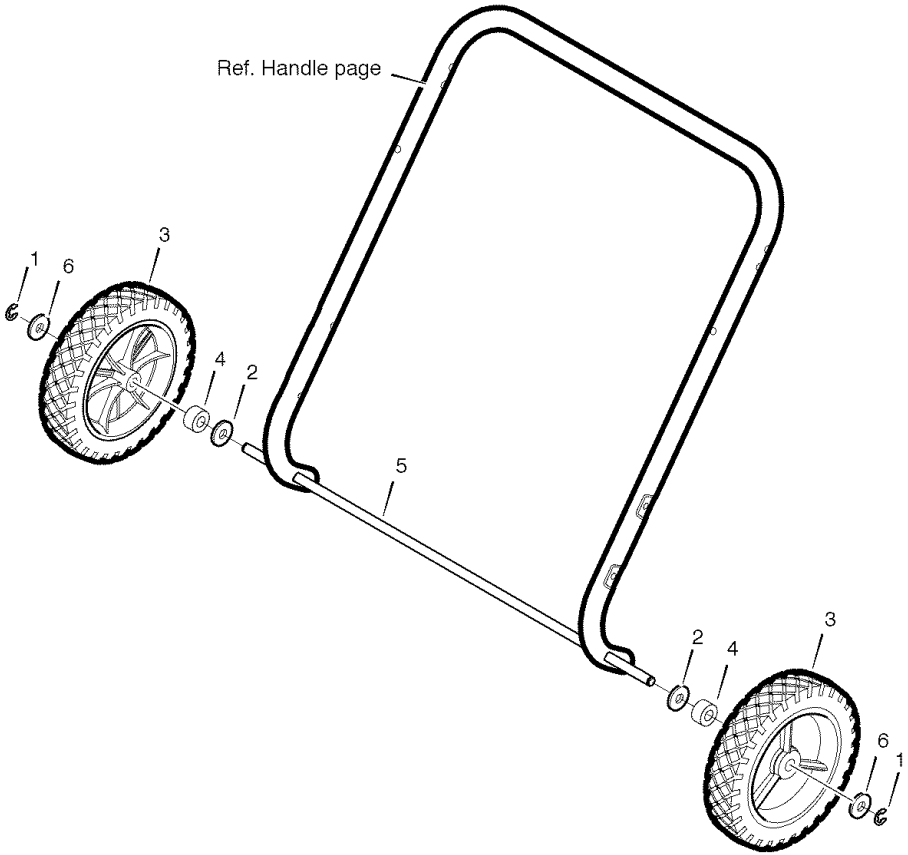


CRAFTSMAN 22" 5HP SNOW THROWER 536.881501 TOP COVER

KEY NO.	PART NO.	DESCRIPTION
1	1501862	Panel, Control
2	313674	Screw 1/4-20 x 1.25
3	71067	Washer
4	73826	Nut, 1/4-20
5	1501874	Bushing, Chute Crank
6	300193	Nut, 5/8-32
7	49643	Keys & Ring, Starter
8	*	Bulb, Fuel Primer
9	1501878	Panel, Cover Access
10	271172	Nut, Keps 1/4-20
11	335507	Hose, Primer 9.5"
12	56992	Switch, Ignition
13	1501860E701	Handle, Lower
14	313685	Screw 1/4-14 x .75
15	578109	J-Nut 1/4-10
16	1501867	Cover, Bottom
17	1502026	Cover, Belt
18	12342	Screw 10-24 x .5
19	312300	Locknut, Hex 10-24
20	15x143	Locknut, Hex 1/4-20
21	579052	Screw 1/4-20 x .63
22	1501866	Cover, Top
23	*	Knob, Standard Recoil
24	313683	Washer
25	1501868	Cover, Oil Access
26	1501995	Gasket, Chute Ring
27	28x85	Nut, Push
28	583436	Clamp, Cable

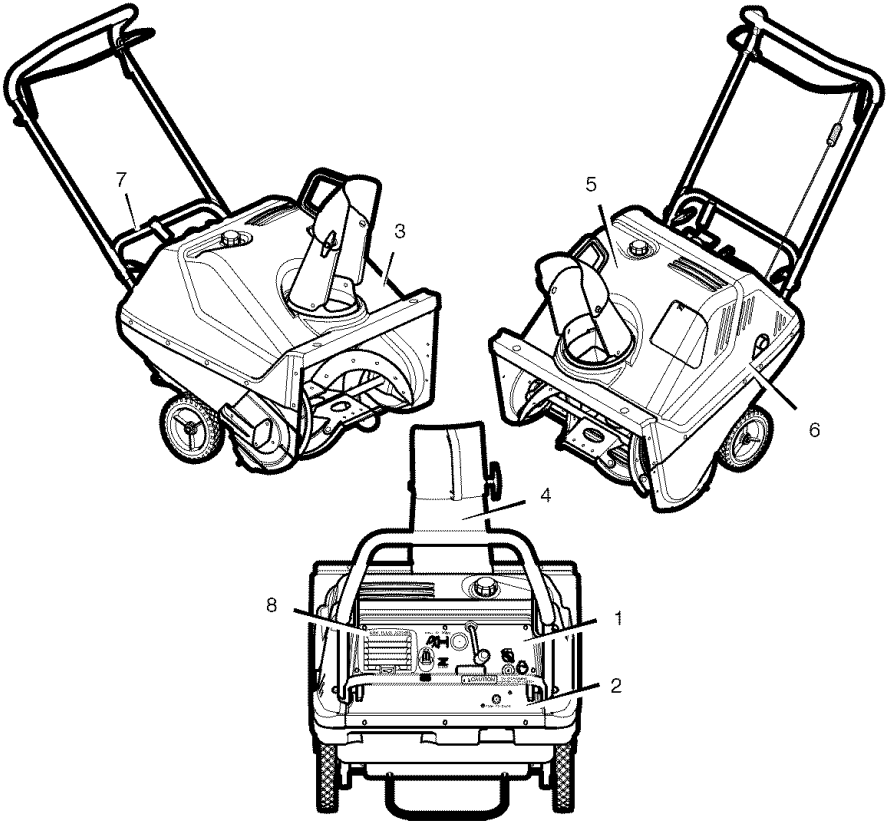
* For Replacement Parts, see the Engine manufacturer.

CRAFTSMAN 22" 5HP SNOW THROWER 536.881501 WHEELS



KEY NO.	PART NO.	DESCRIPTION
1	577598	Retainer, E-Ring
2	71072	Washer
3	760713	Wheel and Tire 7" x 1.50"
4	309656	Sleeve, Spacer
5	1501879	Rod, Axle
6	583409	Washer

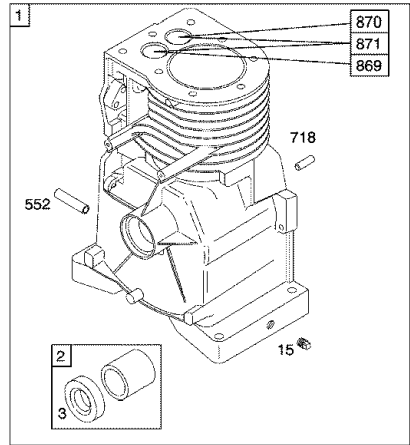
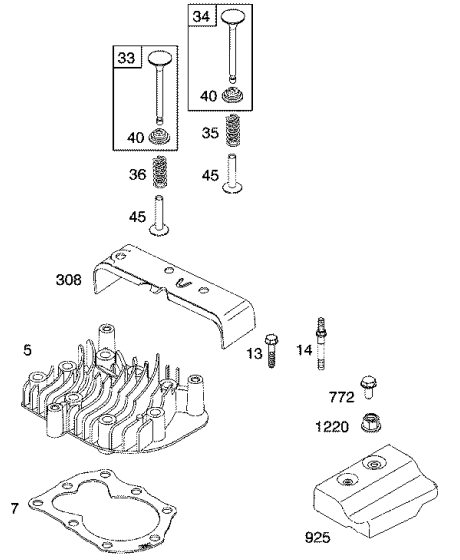
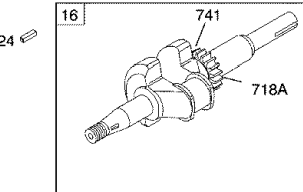
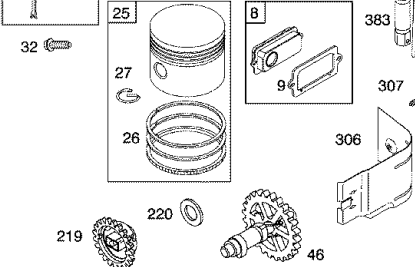
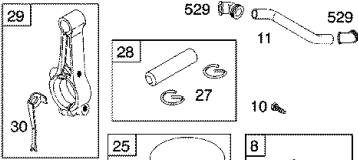
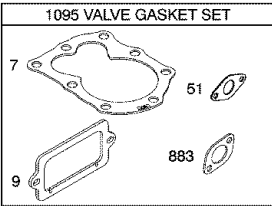
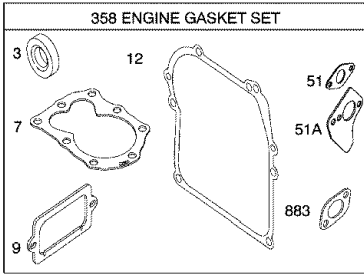
CRAFTSMAN 22" 5HP SNOW THROWER 536.881501
DECALS



KEY

NO.	PART NO.	DESCRIPTION
1	48x5635	Decal, Panel 22" ES SEARS
2	48x5638	Decal, Electric Start
3	70141	Decal, Auger Danger
4	48x5642	Decal, Danger Chute Hand
5	48x5551	Decal, 5HP/22" CRAFTSMAN
6	69880	Decal, Danger Muffler
7	761150	Decal, Auger Control
8	48x5658	Decal, Spark Plug Access 22"

BRIGGS & STRATTON ENGINE MODEL 9A413-0202-E1



1019 LABEL KIT

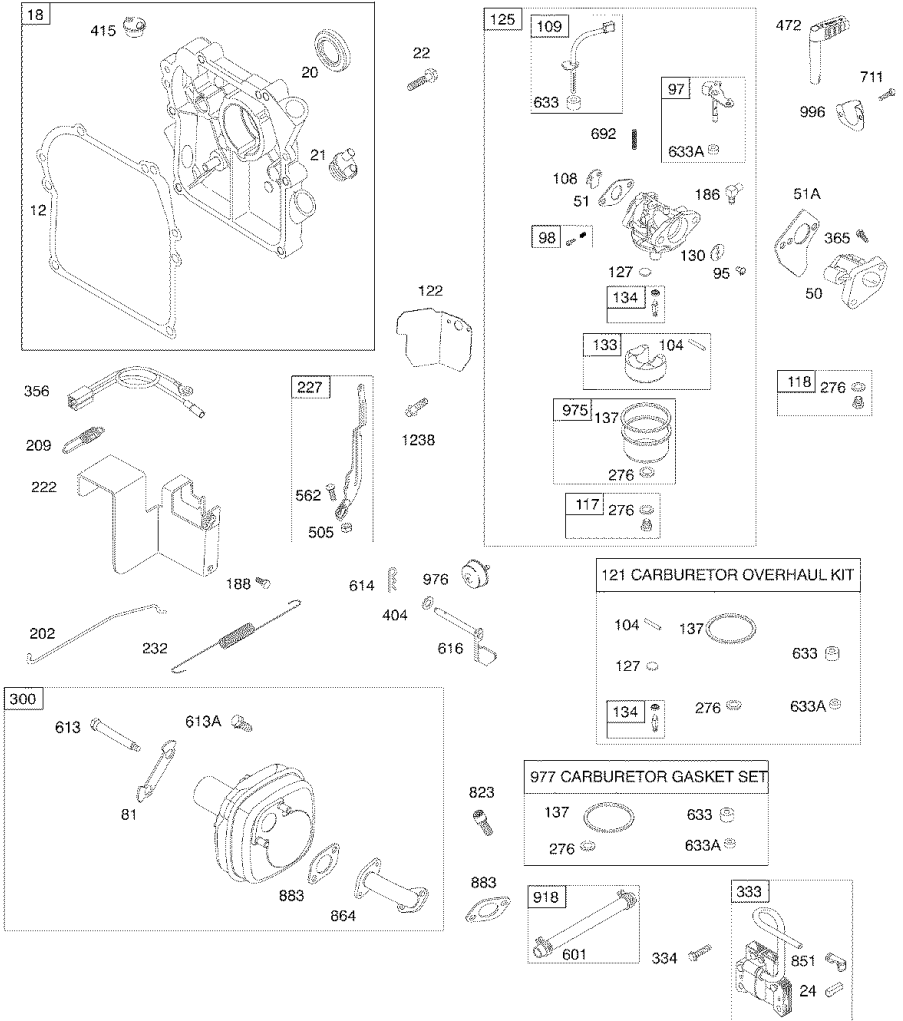
1058 OPERATOR'S MANUAL

Assemblies include all parts shown in frames.

BRIGGS & STRATTON ENGINE MODEL 9A413-0202-E1

KEY NO.	PART NO.	DESCRIPTION	KEY NO.	PART NO.	DESCRIPTION
1	699088	Cylinder Assembly	30	691719	Dipper-Connecting Rod
2	399269	Kit-Bushing/Seal (Magneto Side)	32	691664	Screw (Connecting Rod)
3	*299819	Seal-Oil (Magneto Side)	33	497871	Valve-Exhaust
5	690386	Head-Cylinder	34	296677	Valve-Intake
7	*Ø698717	Head-Cylinder Gasket	35	690520	Spring-Valve (Intake)
8	699448	Breather Assembly	36	690520	Spring-Valve (Exhaust)
9	695890	Gasket-Breather	40	692194	Retainer-Valve
10	691666	Screw (Breather Assembly)	45	691762	Tappet-Valve
11	691246	Tube-Breather	46	691998	Camshaft
12	*692218	Gasket-Crankcase (.015" Standard)	51	*Ø692283	Gasket-Intake
13	691640	Screw (Cylinder Head)	51A	*273113	Gasket-Intake
14	690361	Stud (Cylinder Head) (Number 8 Position)	219	496786	Gear-Governor
15	691686	Plug-Oil Drain	220	691724	Washer (Governor Gear)
16	699092	Crankshaft	306	690461	Shield-Cylinder
24	222698	Key-Flywheel	307	691660	Screw (Cylinder Shield)
25	699656	Piston Assembly (Standard)	308	690462	Cover-Cylinder Head
		----- Note -----	337	802592	Plug-Spark
		498670 Piston Assembly (.020" Oversize)	358	496865	Gasket Set-Engine
			383	89838	Wrench-Spark Plug
			529	692187	Grommet
			552	690508	Bushing-Governor Crank
26	695169	Ring Set (Standard)	635	66538	Boot-Spark Plug
		----- Note -----	718	690959	Pin-Locating
		695172 Ring Set (.020" Oversize)	718A	499047	Pin-Locating
			741	691805	Gear-Timing
27	691588	Lock-Piston Pin	772	691003	Screw (Linkage Cover)
28	298909	Pin-Piston (Standard)	869	691701	Seat-Valve (Intake)
		----- Note -----	870	691702	Seat-Valve (Exhaust)
		298908 Pin-Piston (.005" Oversize)	871	262001	Bushing-Valve Guide
29	699655	Rod-Connecting (Standard)	883	*691880	Gasket-Exhaust
		----- Note -----	925	699097	Cover-Linkage
		296079 Rod- Connecting (.020" Undersize)	1019	496905	Kit-Label
			1058	275697	Operator's Manual
			1095	498525	Gasket Set-Valve
			1220	691105	Nut (Linkage Cover)

BRIGGS & STRATTON ENGINE MODEL 9A413-0202-E1



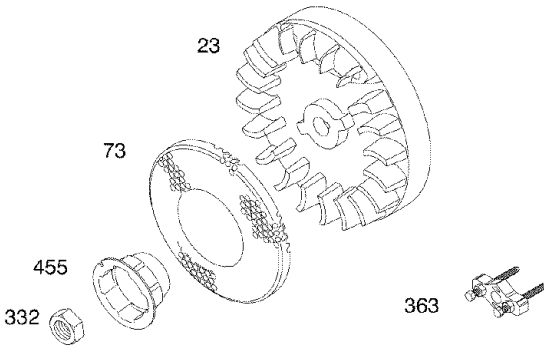
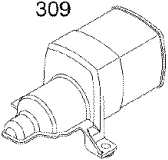
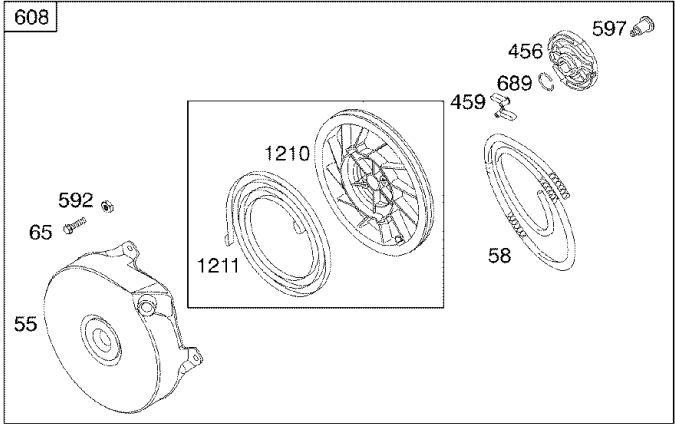
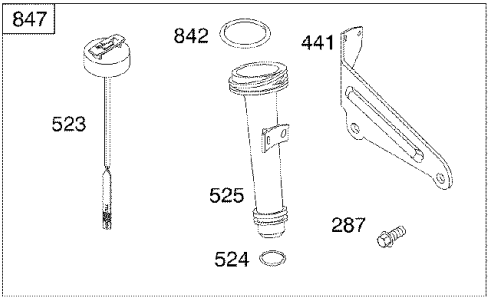
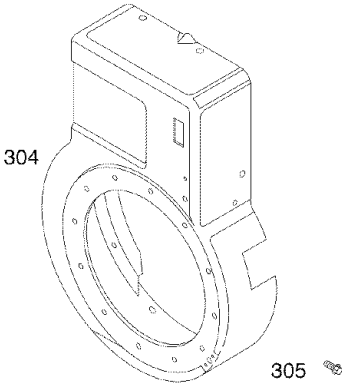
Assemblies include all parts shown in frames.

BRIGGS & STRATTON ENGINE MODEL 9A413-0202-E1

KEY NO.	PART NO.	DESCRIPTION	KEY NO.	PART NO.	DESCRIPTION
12	★692218	Gasket-Crankcase	276	●●271716	Washer-Sealing (Float Bowl)
18	699096	Cover-Crankcase	300	699565	Muffler
20	692020	Seal-Oil (PTO Side)	333	496914	Armature-Magneto
21	281658	Cap-Oil Fill	334	691061	Screw (Magneto Armature)
22	691129	Screw (Crankcase Cover)	356	699576	Wire-Stop
		----- Note -----	365	691688	Screw (Carburetor)
		691128 Screw (Crankcase Cover) (Used in Position Numbers 1 and 6)	404	691691	Washer (Governor Crank)
24	222698	Key-Flywheel	415	693463	Plug
50	691922	Manifold-Intake	472	699100	Knob-Choke Shaft
51	★⊙692283	Gasket-Intake	505	691251	Nut (Governor Control Lever)
51A	★273113	Gasket-Intake	562	92613	Bolt (Governor Control Lever)
81	691729	Lock-Muffler Screw	601	95162	Clamp-Hose
95	691636	Screw (Throttle Valve)	613	691413	Screw (Muffler)
97	496861	Shaft-Throttle			(Muffler Lock)
98	398185	Kit-Idle Speed	613A	690661	Screw (Muffler) (Exhaust Tube)
104	●691242	Pin-Float Hinge	614	691620	Pin-Cotter
108	695807	Valve-Choke	616	692016	Crank-Governor
109	496860	Shaft-Choke	633	●●693867	Seal-Choke/Throttle Shaft (Choke)
117	498978	Jet-Main (Standard)	633A	●●691321	Seal-Choke/Throttle Shaft (Throttle)
118	498975	Jet-Main (High Altitude)	692	690572	Spring-Detent
121	498260	Kit-Carburetor Overhaul	711	690353	Screw (Carburetor Shield)
122	699086	Spacer-Carburetor	823	699554	Screw (Muffler Adapter)
125	699103	Carburetor	851	493880	Terminal-Spark Plug
127	●694468	Plug-Welch	864	699568	Adapter-Muffler
130	691203	Valve-Throttle	883	★691880	Gasket-Exhaust
133	398187	Float-Carburetor	918	393815	Hose-Vacuum
134	●398188	Kit-Needle/Seat	975	493640	Bowl-Float
137	●●693981	Gasket-Float Bowl	976	394281	Primer-Carburetor
186	692317	Connector-Hose	977	498261	Gasket Set-Carburetor
188	691637	Screw (Control Brkt)	996	699099	Shield-Carburetor
202	692351	Link-Mechanical Governor	1238	691689	Screw (Carburetor Spacer)
209	691858	Spring-Governor (Assemble in Number 5 Position)			
222	698681	Bracket-Control			
227	691412	Lever-Governor Control			
232	691846	Spring-Governor Link			

BRIGGS & STRATTON ENGINE MODEL 9A413-0202-E1

1036 EMISSIONS LABEL



Assemblies include all parts shown in frames.

BRIGGS & STRATTON ENGINE MODEL 9A413-0202-E1

KEY NO.	PART NO.	DESCRIPTION	KEY NO.	PART NO.	DESCRIPTION
23	699573	Flywheel	456	692299	Plate-Pawl Friction
55	692144	Housing-Rewind Starter	459	281505	Pawl-Ratchet
58	697316	Rope-Starter (Cut to Required Length)	523	791205	Dipstick
60	691915	Grip-Starter Rope	524	691876	Seal-Dipstick Tube
65	690837	Screw (Rewind Starter)	525	699090	Tube-Dipstick
73	699850	Screen-Rotating	592	690800	Nut (Rewind Starter)
287	695733	Screw (Dipstick Tube)	597	691696	Screw (Pawl Friction Plate)
304	699093	Housing-Blower	608	699105	Starter-Rewind
305	692198	Screw (Blower Housing)	689	691855	Spring-Friction
309	699098	Motor-Starter	842	691031	Seal-O Ring (Dipstick Tube)
332	690662	Nut (Flywheel)	847	791204	Dipstick/Tube Assembly
441	690484	Bracket-Oil Fill	1036	790891	Label-Emissions
449	695733	Screw (Oil Fill Bracket)	1210	499901	Pulley/Spring Assembly (Pulley)
363	19069	Puller-Flywheel	1211	499901	Pulley/Spring Assembly (Spring)
455	691236	Cup-Flywheel			

TABLA DE CONTENIDOS

PIEZAS DE REPUESTO	28	OPERACIÓN	57
PIEZAS DE REPUESTO (MOTOR)	42	MANTENIMIENTO	64
GARANTÍA	49	SERVICIO Y AJUSTES	68
REGLAS DE SEGURIDAD	50	ALMACENAMIENTO	71
SÍMBOLOS INTERNACIONALES	52	PEDIDO DE PIEZAS/SERVICIO .	76
ENSAMBLAJE	54		

GARANTÍA

GARANTÍA LIMITADA DE DOS AÑOS PARA EL QUITANIEVES CRAFTSMAN

Durante dos años a partir de la fecha de compra, siempre que a este quitanieves Craftsman se le de mantenimiento, lubricación y afinamiento de acuerdo con las instrucciones de operación y mantenimiento presentadas en el manual del propietario, Sears reparará, sin recargo alguno, cualquier defecto en material y mano de obra.

Si este quitanieves Craftsman es usado para propósitos comerciales o de arrendamiento, esta garantía será válida solamente por 90 días a partir de la fecha de compra.

Esta garantía no cubre lo siguiente:

- Elementos fungibles los cuales se gastan durante el uso normal, tales como bujías, correas de transmisión y pasadores de seguridad.
- Reparaciones necesarias debido al abuso o negligencia del operador, incluyendo eje de cigüeñal doblado, y por no darle el mantenimiento necesario a la unidad según lo recomendado en las instrucciones contenidas en el manual del propietario.

EL SERVICIO DE GARANTÍA SE PUEDE OBTENER LLEVANDO EL QUITANIEVES AL CENTRO DE SERVICIO SEARS MÁS CERCA EN EUA. ESTA GARANTÍA ES VÁLIDA SÓLO CUANDO ESTE PRODUCTO ES USADO EN LOS ESTADOS UNIDOS.

Esta garantía le otorga derechos legales específicos, y es posible que tenga otros derechos los cuales varían de estado a estado.

Sears, Roebuck and Co., D817WA, Hoffman Estates, IL 60179

REGLAS DE SEGURIDAD



PRESTE ATENCIÓN A ESTE SÍMBOLO, LE INDICA PRECAUCIONES DE SEGURIDAD IMPORTANTES. ESTE SÍMBOLO SIGNIFICA--¡¡¡ATENCIÓN!!! ¡¡¡ESTÉ ALERTA!!! SE TRATA DE SU SEGURIDAD.



ADVERTENCIA



Las emanaciones de escape producidas por este motor y ciertos componentes de esta máquina contienen agentes químicos reconocidos por el Estado de California como carcinógenos, también pueden producir defectos en los recién nacidos o causar otros daños al sistema reproductivo.

Los bornes, terminales y accesorios relacionados con la batería, contienen plomo y compuestos de plomo. El Estado de California reconoce que estos compuestos pueden causar cáncer y defectos congénitos, además de otros daños al sistema reproductivo. **DEBE LAVARSE MUY BIEN LAS MANOS DESPUÉS DE MANIPULAR ESTOS COMPONENTES.**



ADVERTENCIA: Siempre desconecte el cable de la bujía, y colóquelo alejado de ésta para prevenir un arranque accidental durante la preparación, mantenimiento o almacenamiento del quitanieves

IMPORTANTE: Para prevenir lesiones, las normas de seguridad requieren controles en la unidad que sólo puedan ser manejados en presencia del operador. Su quitanieves está equipado con dichos controles. Por ningún motivo intente pasar por alto la función del control en presencia del operador.

CAPACITACIÓN

1. Lea con atención las instrucciones en el manual de operación y servicio. Familiarícese completamente con los controles y el uso apropiado del quitanieves. Aprenda a detener el quitanieves y a desenganchar rápidamente los controles.
2. Nunca permita a niños operar el quitanieves. Nunca permita que adultos operen el quitanieves sin la instrucción apropiada.
3. Mantenga el área libre de personas, especialmente niños pequeños y mascotas.
4. Tenga mucho cuidado para evitar resbalones o caídas, especialmente cuando esté retrocediendo.

PREPARACIÓN

1. Inspeccione completamente el área donde se usará el quitanieves y retire todas las esteras, trineos, tableros, cables y otros objetos extraños.
2. Desenganche todos los embragues antes de hacer arrancar el motor.
3. No opere el quitanieves sin vestir prendas de invierno adecuadas para trabajar a la intemperie. Vista calzado que le dé buena tracción sobre superficies resbalosas.
4. Maneje el combustible con cuidado; éste es altamente inflamable.
 - (a) Use un contenedor aprobado para combustible.
 - (b) Nunca quite la tapa del tanque de combustible ni añada combustible a un motor en marcha o a un motor caliente.
 - (c) Llene el tanque de combustible al aire libre y con mucho cuidado. Nunca llene el tanque en un recinto cerrado.
 - (d) Vuelva a colocar la tapa del tanque de combustible de manera segura, y limpie el combustible derramado.
 - (e) Nunca almacene combustible o el quitanieves con combustible en el tanque dentro de un edificio donde los vapores pudiesen alcanzar alguna llama abierta o chispas.
 - (f) Verifique que el quitanieves tenga suficiente combustible antes de cada uso, y deje un espacio adicional en el tanque puesto que el calor del motor

y/o del sol hace que el combustible se expanda.

5. Para todos los quitanieves con motores de arranque eléctrico, use cables de extensión con certificación CSA/UL. Use solamente tomacorrientes que hayan sido instalados de acuerdo con los reglamentos de inspección locales.
6. Permita que el motor y el quitanieves se ajusten a las temperaturas exteriores antes de comenzar a despejar la nieve.
7. Siempre use gafas de seguridad o protectores para los ojos durante la operación o mientras efectúa algún ajuste o reparación a la unidad, para proteger sus ojos de objetos extraños que pudiesen ser lanzados por el quitanieves.

OPERACIÓN

1. No opere este quitanieves si está tomando medicinas que puedan causar somnolencia o afectar su habilidad para operar el quitanieves.
2. No use el quitanieves si por motivos emocionales o físicos se le dificulta manejarlo de forma segura.
3. No coloque las manos o los pies cerca o debajo de piezas en movimiento. Manténgase en todo momento a buena distancia de la abertura del tubo de descarga.
4. Tenga mucho cuidado al operar el quitanieves en o a través de entradas de autos, senderos o caminos de grava. Manténgase alerta de peligros ocultos o tráfico.
5. Si golpea un objeto extraño, pare el motor, desconecte el cable de la bujía, inspeccione meticulosamente el quitanieves por si hubiera algún daño, y repárelo antes de arrancar el motor y operar el quitanieves nuevamente.
6. Si el quitanieves comienza a vibrar de manera excesiva, pare el motor y revíselo inmediatamente para encontrar la causa. Generalmente, la vibración es una advertencia de algún problema.
7. Pare el motor cuando deje la posición de operación, antes de desobstruir el alojamiento de la barrena/propulsor o el tubo de descarga, y cuando efectúe cualquier reparación, ajuste o inspección.
8. Cuando limpie, repare o inspeccione el quitanieves, asegúrese de que la barrena/propulsor y todas las partes móviles se encuentren detenidas, y que todos los controles estén desenganchados. Descos-

necte el cable de la bujía y manténgalo alejado de la bujía para evitar un arranque accidental.

9. Tome todas las precauciones posibles al dejar el quitanieves desatendido. Desenganche la barrena/propulsor, pare el motor y retire la llave.
10. No haga arrancar el motor en recintos cerrados, aún con las puertas y ventanas abiertas. Los vapores de escape son peligrosos (contienen MONÓXIDO DE CARBONO, un GAS INODORO y LETAL).
11. No use el quitanieves para limpiar áreas de terreno inclinadas (cuestas, pendientes). Tenga mucho cuidado cuando cambie de dirección. No intente limpiar pendientes muy pronunciadas.
12. Nunca opere el quitanieves sin que los resguardos, placas u otros dispositivos de seguridad se encuentren en su lugar.
13. Nunca opere el quitanieves cerca de escaparates de vidrio, automóviles, vidrieras, bajadas, y similares, sin el ajuste apropiado del ángulo de descarga de la nieve. Mantenga a los niños y las mascotas alejados del área que está despejando.
14. No sobrecargue la capacidad del quitanieves al intentar limpiar la nieve a una velocidad demasiado rápida.
15. Nunca opere el quitanieves a altas velocidades de transporte sobre superficies resbalosas. Mire hacia atrás y tenga cuidado al retroceder.
16. Nunca descargue directamente hacia espectadores ni permita a nadie frente al quitanieves.
17. Desenganche la fuerza motriz de la barrena/propulsor cuando el quitanieves sea transportado o no esté en uso.
18. Utilice únicamente aditamentos y accesorios aprobados por el fabricante del quitanieves (tales como cadenas para las ruedas, juegos de arranque eléctrico, etc.).
19. Nunca opere el quitanieves sin tener buena visibilidad o iluminación. Asegúrese

siempre que tiene buena estabilidad, y sujete con firmeza el mango. Camine; nunca corra.

20. No trate de alcanzar áreas difíciles. Mantenga la estabilidad y el balance en todo momento.
21. No trate de usar el quitanieves para limpiar techos.

MANTENIMIENTO Y ALMACENAMIENTO

1. Revise los pernos con frecuencia para asegurar que estén bien apretados y que el quitanieves esté en condiciones seguras de funcionamiento.
2. Guarde el quitanieves a una distancia de fuentes de ignición o de aparatos domésticos que tengan llamas de encendido, tales como calentadores de agua y estufas, secadoras de ropa, etc. Permita que el motor se enfríe antes de guardar el quitanieves en cualquier recinto.
3. Si va a almacenar el quitanieves por un período prolongado, siempre consulte las instrucciones del manual del operador donde encontrará consejos importantes.
4. Mantenga o reemplace las etiquetas de seguridad e instrucciones, según sea necesario.
5. Mantenga el quitanieves en marcha unos cuantos minutos después de despejar la nieve, para evitar que se congele la barrena/propulsor.



ADVERTENCIA: Este quitanieves es para uso en aceras, entradas de auto y otras superficies de terreno planas. Se debe tener cuidado al usar el quitanieves en superficies inclinadas. NO USE EL QUITANIEVES EN SUPERFICIES SOBRE EL NIVEL DEL SUELO tales como techos de residencias, de garajes, porches u otras estructuras o construcciones similares.

SÍMBOLOS

IMPORTANTE: Muchos de estos símbolos están colocados en su quitanieves o están impresos en los manuales que vienen con el producto. Antes de operar el quitanieves aprenda y comprenda el objetivo de cada símbolo.

Símbolos de control y operación



Despacio



Rápido



Arranque eléctrico



Arranque de motor



Motor en marcha



Motor apagado



Apagado



Encendido



Ahogador desactivado



Ahogador activado



Neutro



Acelerador



Botón cebador



Llave de encendido



Ignición desactivada



Ignición activada



Embrague de propulsión



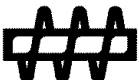
Avance



Marcha atrás



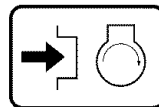
Embrague de barrena



Colector de barrena



Enganchar



Oprima para accionar el arranque eléctrico.



Transmisión

Símbolos de control y operación

Combustible



Aceite



Descarga hacia
ABAJO



Descarga hacia
ARRIBA



Descarga hacia la
IZQUIERDA



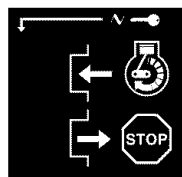
Descarga hacia la
DERECHA



Transferencia de peso
Levante el mango
para enganchar.



Transferencia de peso
Presione el pedal
para desenganchar.

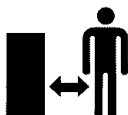


Llave de encendido
Insertar para marcha,
Retirar para parar.

Símbolos de advertencia de seguridad



PELIGRO
Objetos lanzados.
Mantenga alejados a
los transeúntes.



PELIGRO
Objetos lanzados.
Mantenga alejados a
los transeúntes.



ADVERTENCIA



IMPORTANTE
Lea el manual del
propietario antes de
operar esta máquina.



PELIGRO
Evite las lesiones que puede
causar la barrena rotatoria.
Mantenga las manos, los pies y
la ropa fuera de su alcance.



PELIGRO
Pare el motor
antes de desatascar
el tubo de descarga.



ADVERTENCIA
Superficie caliente



PARE

ENSAMBLAJE

Contenido de la bolsa de partes

- 1 – Manual del propietario (no se muestra)
- 1 – Cable de arranque eléctrico (no se muestra)
- 1 – Estabilizador de combustible (no se muestra)



1 – Botella de aceite 5W30



ADVERTENCIA: Use siempre gafas protectoras o protectores para los ojos, durante el ensamblaje del quitanieves.

HERRAMIENTAS NECESARIAS

- 1 – Navaja para cortar cartón

La Figura 1 muestra el quitanieves en la posición de operación.

Las referencias sobre el lado derecho o el lado izquierdo del quitanieves, son hechas desde el punto de vista del operador si éste se encuentra parado detrás de la unidad.

CÓMO SACAR EL QUITANIEVES DE LA CAJA

1. Localice y retire la botella de aceite de motor 5W30 Craftsman.
2. Localice todas las partes envueltas por separado y sáquelas de la caja.
3. Retire y descarte todo el material de empaque alrededor del quitanieves.
4. Corte cada una de las cuatro esquinas de la caja desde la parte superior hasta abajo y despliegue los paneles en el suelo.
5. Agarre el quitanieves por el mango inferior y sáquelo de la caja.

PRECAUCIÓN: NO retroceda sobre los cables.

6. Quite el material de empaque del ensamble del mango.

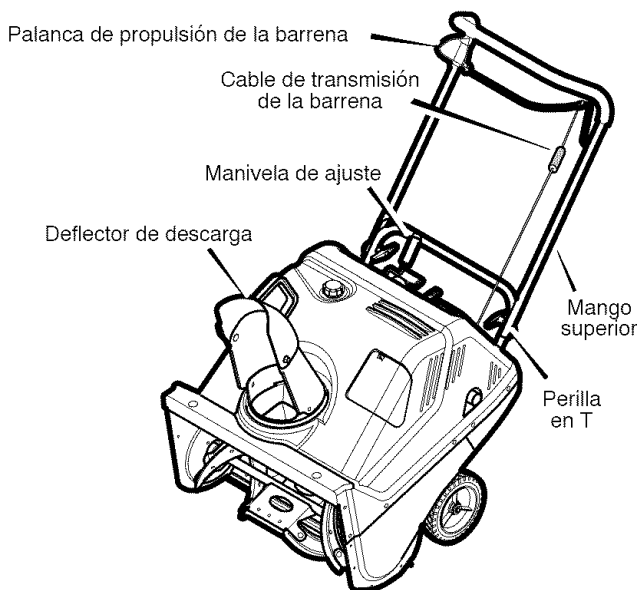


Figura 1

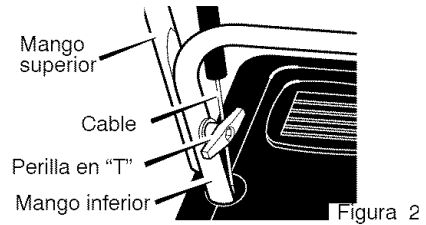
ENSAMBLAJE

Cómo ensamblar el mango

Instalación del mango superior

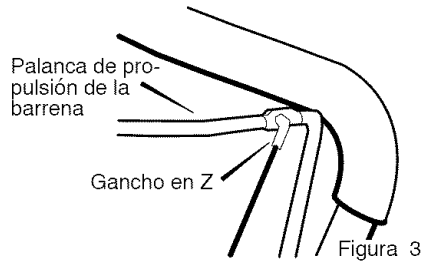
1. Quite las **perillas en "T"** y los pernos en "U" del **mango inferior** (Figura 2).
2. Coloque el **mango superior** en la posición de operación.
3. Instale los pernos en "U" y apriete las **perillas en "T"**.

Nota: Asegúrese de que el cable no quede atrapado entre los mangos superior e inferior. En la Figura 2 se muestra la instalación correcta del cable.



Conecte el cable de propulsión de la barrena

1. Conecte el **cable de propulsión de la barrena** a la **palanca de propulsión de la barrena** (Figura 3).



Ajuste la descarga superior

1. Retire la **perilla en "T"** y el perno en el tubo de **descarga superior** (Figura 4).
2. Gíre el **tubo de descarga superior** a la posición de operación (más allá del tope del tubo de descarga inferior).
3. Instale el perno y apriete la **perilla en "T"**.

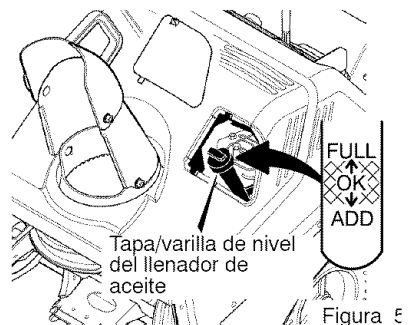


Añada aceite de motor

1. El quitanieves fue enviado con una botella de aceite de motor 5W30. Antes de operar, añada este aceite al motor.
2. Retire el panel de acceso y quite la tapa tapa/varilla del llenador de aceite.
3. Quite la **tapa/varilla del llenador de aceite** (Figura 5). Llene hasta la marca FULL en la **tapa/varilla del llenador de aceite**. Revise periódicamente el nivel de aceite. **NO LO LLENE DEMASIADO.**

Añada combustible

1. Llene el tanque con combustible fresco sin plomo.
2. Para extender la vida del combustible y prevenir problemas del arranque, añada el estabilizador de combustible que viene con el quitanieves. **NO LO LLENE DEMASIADO.**



NOTA: El nivel de aceite debe estar hasta la marca FULL.

✔ LISTA DE REVISIÓN

Antes de operar su nuevo quitanieves, y para asegurar que obtenga el mejor rendimiento y la mayor satisfacción de este producto de calidad, por favor haga un repaso de la siguiente lista de revisión:

- ✔ Se han completado todas las instrucciones de ensamblado.
- ✔ El tubo de descarga gira libremente.
- ✔ No quedan piezas sueltas en la caja de cartón.

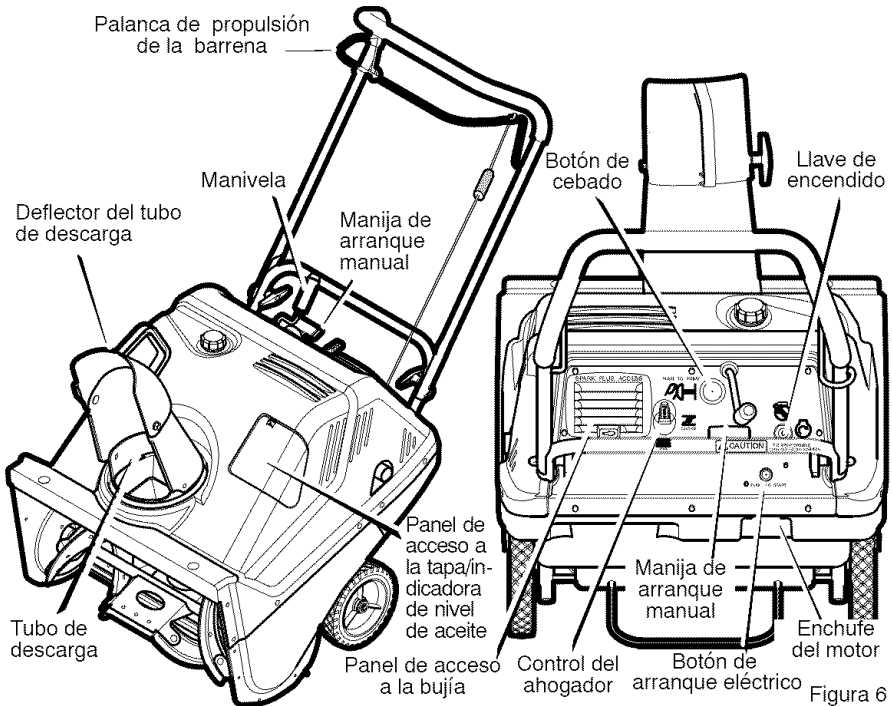
Al mismo tiempo que aprende a usar su quitanieves, preste mucha atención a los detalles siguientes:

- ✔ Asegúrese de que haya suficiente aceite de motor. Use un aceite detergente de alta calidad clasificado como "Para servicio SG, SH, SJ, SL o superior".
- ✔ Asegúrese de que el tanque de combustible contenga gasolina limpia y nueva sin plomo, con un octanaje mínimo de 85.
- ✔ Familiarícese con la ubicación de todos los controles y asegúrese de entender la función de cada uno.
- ✔ Antes de encender el motor, asegúrese de que todos los controles estén funcionando correctamente.

OPERACIÓN

CONOZCA SU QUITANIEVES

LEA ESTE MANUAL DE INSTRUCCIONES Y LAS REGLAS DE SEGURIDAD ANTES DE OPERAR SU QUITANIEVES. Compare estas ilustraciones con su QUITANIEVES para familiarizarse con la ubicación de los diversos controles y ajustes. Guarde este manual para referencia futura.



Palanca de propulsión de la barrena – Acciona y detiene la barrena.

Manivela de ajuste – Cambia la dirección de la descarga de nieve.

Deflector del tubo de descarga – Cambia la distancia del lanzamiento de la nieve.

Tubo de descarga – Cambia la dirección en que se lanza la nieve.

Llave de encendido – Se debe insertar y colocar en la posición de encendido (ON) para arrancar el motor.

Manija de arranque manual – Arranca el motor manualmente.

Botón de arranque eléctrico – Se usa para hacer arrancar el motor de arranque eléctrico de 120V.

Control del ahogador – Se usa para arrancar un motor frío.

Botón de cebado – Inyecta el combustible directamente en el múltiple del carburador para un arranque rápido en temperaturas frías.

Panel de acceso a la bujía – Panel que ofrece acceso a la bujía.

Panel de acceso a la tapa/indicadora de nivel de aceite – Permite acceso a la tapa/indicadora de nivel de aceite para poder llenar y comprobar el aceite de motor.

Enchufe del motor – Conexión para el cable de alimentación para arranque eléctrico.

OPERACIÓN



ADVERTENCIA: Lea el manual del propietario antes de operar la máquina. Nunca dirija la descarga hacia los transeúntes. Pare el motor antes de desobstruir el tubo de descarga o el alojamiento de la barrena, y antes de dejar la máquina.

PARA PARAR LA DESCARGA DE NIEVE

1. Para parar la descarga de nieve, suelte la **palanca de propulsión de la barrena**. Vea la Figura 6.

NOTA: Si la unidad continúa avanzando lentamente, consulte "Ajuste del cable de control de la barrena" en la sección de Servicio y Ajustes.

2. Para parar el motor, gire la llave de ignición a la posición de apagado.

PARA CONTROLAR LA DESCARGA DE NIEVE

1. Gire la manivela de control del tubo de descarga para determinar la dirección de lanzamiento de la nieve.
2. Afloje la **perilla de mariposa** en el deflector del tubo de descarga y mueva el deflector para establecer la distancia. Mueva el deflector hacia (**ARRIBA**) para mayor distancia, hacia (**ABAJO**) para una distancia menor. Luego apriete la **perilla de mariposa** (vea la Figura 7).



Figura 7

CÓMO LANZAR LA NIEVE

1. Enganche la **palanca de propulsión de la barrena**.
2. Para detener la descarga de nieve, suelte la **palanca de propulsión de la barrena**.



ADVERTENCIA: La operación de cualquier quitanieves puede provocar que objetos extraños sean lanzados con fuerza hacia sus ojos, lo cual podría resultar en lesiones graves. Por lo tanto use siempre gafas de seguridad o protectores para los ojos cuando tenga que operar el quitanieves. Le recomendamos gafas de protección estándar o una máscara de protección de visión amplia para usar sobre sus anteojos.

CÓMO AVANZAR

1. Sujete la **palanca de propulsión de la barrena** contra el **mango** (vea la Figura 8). La barrena comenzará a girar.
2. Para avanzar, levante el **mango** para permitir que las **hojas de caucho de la barrena** hagan contacto con el suelo. Sujete firmemente el **mango** del quitanieves a medida que éste comienza a avanzar. Guíe el quitanieves moviendo el **mango** ya sea hacia la izquierda o hacia la derecha. No intente empujar el quitanieves
3. Para detenerlo, suelte la **palanca de propulsión de la barrena**.

NOTA: Si la barrena continúa girando, consulte "Cómo ajustar el cable de control de la barrena" en la sección de Servicio y Ajustes.

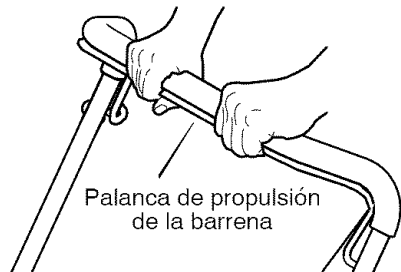


Figura 8

OPERACIÓN

ANTES DE HACER ARRANCAR EL MOTOR

4. Antes de dar servicio o encender el motor, familiarícese con el quitanieves. Asegúrese de conocer la ubicación de todos los controles y entender su función.
5. Verifique que todos los sujetadores estén apretados.
6. Antes de hacer arrancar el motor, asegúrese de que todos los controles funcionan de la manera indicada.

Para añadir aceite

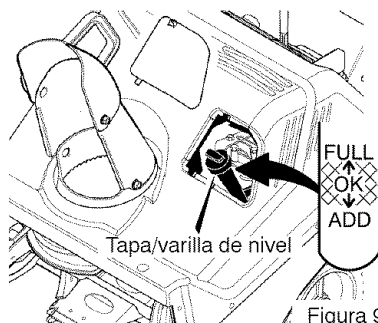
NOTA: Puede que el motor ya tenga algo de aceite. Revise con frecuencia al llenar el cárter. **NO LO LLENE DEMASIADO.**

Este quitanieves fue enviado con una botella de aceite para motor 5W30. Este aceite deberá ser añadido al motor antes de hacerlo arrancar.

1. Quite el panel de acceso a la tapa/indicadora de nivel de aceite.
2. Quite la tapa/varilla indicadora del nivel de aceite y límpiela con un trapo limpio.
3. Inserte la tapa/varilla indicadora del nivel de aceite y gírela hacia la derecha para apretarla.
4. Saque la tapa/varilla indicadora del nivel de aceite y compruebe el nivel.

5. De ser necesario, añada aceite hasta la línea "FULL" (LLENO) en la tapa/varilla indicadora del nivel de aceite (vea la Figura 9). No lo llene demasiado.
6. Cada vez que revise el nivel de aceite, asegúrese de apretar bien la tapa/varilla de nivel.
7. Instale el panel de acceso a la tapa/indicadora de nivel de aceite.

NOTA: Se recomienda el uso de aceite sintético cuando la temperatura esté por debajo de los 32 grados. Si este tipo de aceite no está disponible se puede usar aceite 5W30. **NO mezcle aceite con gasolina.**



NOTA: El nivel del aceite deberá estar en la marca lleno (FULL)

Para añadir gasolina

Este motor ha sido certificado para funcionar con gasolina. Sistema de control de emisiones de escape: EM (Modificaciones al motor).



ADVERTENCIA: El combustible mezclado con alcohol (llamado gasohol o aquellos que usan etanol o metanol) pueden atraer humedad la cual conduce a la separación y formación de ácidos durante el almacenamiento. Los gases ácidos pueden dañar el sistema de combustible de un motor mientras se encuentra en almacenamiento.

NOTA: Para evitar problemas del motor, el sistema de combustible debe vaciarse antes de almacenar la unidad por 30 días o más. Arranque el motor y déjelo en marcha hasta que las líneas de combustible y el carburador estén vacías. Use gasolina fresca la siguiente temporada. Para obtener información adicional, consulte la sección Instrucciones para **almacenamiento** en este manual).

Nunca use productos de limpieza de motor o carburador en el tanque de combustible, de lo contrario podría causar daño permanente a la unidad.

1. Llene el tanque únicamente con gasolina nueva, limpia, regular sin plomo, súper sin plomo o gasolina automotor reformulada con un octanaje mínimo de 85. **NO**

OPERACIÓN

use gasolina con plomo. Se recomienda añadir un estabilizador de combustible a la gasolina. Use el estabilizador que viene con la unidad o compre el Estabilizador de Combustible No. 3550 de



ADVERTENCIA: La gasolina es inflamable. Su manejo y almacenamiento se deben hacer siempre con mucho cuidado.

- Apague el motor y déjelo enfriar durante por lo menos dos minutos antes de quitar la tapa de combustible.
- No llene el tanque de combustible mientras el quitanieves se encuentre en marcha, cuando esté caliente, o cuando el quitanieves se encuentre en un recinto cerrado.
- Mantenga la unidad alejada de llamas expuestas o chispas eléctricas. No fume mientras llena el tanque de combustible.

Craftsman. Asegúrese de que el recipiente que contiene la gasolina a utilizar, esté limpio y sin óxido u otros residuos. Nunca use gasolina que pueda estar añeja debido a su prolongado almacenamiento.

- No llene nunca el tanque por completo. Llénelo hasta dejar aproximadamente 1-1/2 pulg. en el espacio debajo de la tapa para permitir la expansión del combustible.
- Siempre llene el tanque de combustible al aire libre. Use un embudo o una boquilla para evitar derrames.
- Asegúrese de limpiar cualquier combustible derramado antes de arrancar el motor.
- Almacene la gasolina en un contenedor limpio, aprobado y bien cerrado.

PARADA DEL MOTOR

PRECAUCIÓN: Para parar el motor, no mueva el estrangulador a la posición **CHOKE** (estrangular). De lo contrario se podría producir petardeo o daño al motor.

1. Coloque la **llave** en la posición de **APAGADO**.

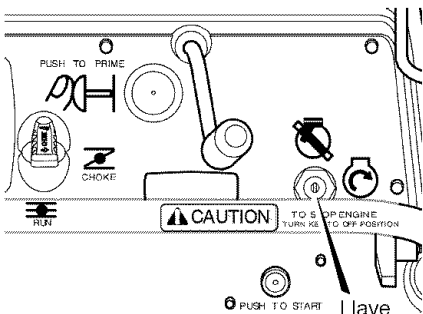


Figura 10

ARRANQUE DEL MOTOR

Asegúrese de que el nivel de aceite indique **FULL (LLENO)** en la varilla. El quitanieves F-051010C

viene con un arranque eléctrico de 120 voltios CA y un arranque manual. Antes de hacer arrancar el motor, asegúrese de haber leído la información siguiente.

Si el motor se ahoga, coloque el estrangulador en la posición **OPEN/RUN** (abierto/en marcha) y arranque el motor hasta que se encienda.



ADVERTENCIA: El rápido retroceso del cordón de arranque manual jalará su mano o brazo hacia el motor más rápido de lo que usted pueda soltar el cordón. Broken bones, fractures, bruises, or sprains could result.

- Cuando arranque el motor, jale lentamente el cordón de arranque manual hasta que sienta resistencia. Entonces, tire rápidamente del cordón.
- Before starting the engine, remove all external equipment/engine loads.
- Asegúrese de que los componentes (rotores, poleas, ruedas dentadas) estén bien instalados.

OPERACIÓN



ADVERTENCIA: El motor de arranque está equipado con un cable de alimentación y enchufe trifilar, diseñados para funcionar con corriente doméstica de 120 voltios CA. El cable de alimentación deberá estar conectado a tierra en todo momento para evitar la posibilidad de una descarga eléctrica que podría lesionar al operador.

- Siga cuidadosamente todas las instrucciones de la sección "Arranque del motor."
- Verifique que el alambrado eléctrico de su casa tenga un sistema trifilar conectado a tierra. Si no está seguro de esto, pregúntele a un electricista profesional. Si su casa no cuenta con un sistema de alambrado eléctrico trifilar, no use el arranque eléctrico bajo ninguna circunstancia.

- Si su sistema está conectado a tierra pero no dispone de un tomacorrientes trifilar, en un punto conveniente para enchufar su arrancador eléctrico, pida a un electricista profesional que le instale uno.
- Para conectar el cable de alimentación de 120 voltios de CA, siempre conecte primero el cable a la caja del tomacorrientes del motor, luego enchufe el otro extremo en el tomacorrientes trifilar conectado a tierra. Al desconectar el cable de alimentación eléctrica, siempre desenchufe primero el extremo en el tomacorrientes conectado a tierra.

Cómo hacer arrancar el motor en frío

1. Asegúrese de que la palanca de propulsión de la barrena esté en la posición desenganchado (**SUELTO**).
2. Mueva el estrangulador/ahogador a la posición de ARRANQUE (vea la Figura 11).

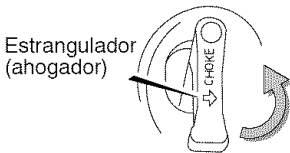


Figura 11

3. (**Arranque eléctrico**) Conecte el cable de alimentación al **motor de arranque** en el motor. Enchufe el otro extremo del cable de alimentación en un tomacorrientes trifilar de 120 voltios CA, conectado a tierra.
4. Oprima el **botón cebador** de la manera indicada a continuación. Quite el dedo del botón cebador entre cebados (vea la Figura 12).
 - Oprima el botón dos veces si la temperatura está en 15° F (-9° C) o más.
 - Oprima el botón cuatro veces si la temperatura se encuentra por debajo de los 15° F (-9° C).

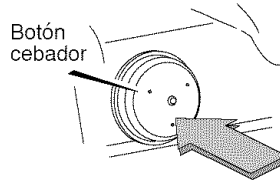


Figura 12

5. (**Arranque eléctrico**) Coloque la **llave** en la posición de ARRANQUE (vea la Figura 13). Para prolongar la vida útil del motor de arranque, no lo arranque por más de 5 segundos a la vez. Espere un minuto entre arranques para permitir que el motor de arranque se enfríe.

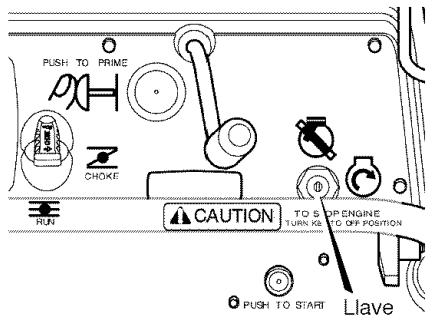


Figura 13

6. (**Arranque manual**) Coloque la **llave** en la posición de ENCENDIDO (vea la Figura 13). Jale lentamente la **manija de arranque manual** hasta que sienta resis-

OPERACIÓN

tencia. Entonces, tire rápidamente del cordón para encender el motor (vea la Figura 14). No suelte la **manija de arranque manual** inmediatamente después de jalarla. Deje que se enrolle lentamente.

- Si el motor no arranca a los 5 ó 6 intentos, lea las instrucciones sobre: Dificultad para arrancar en la "Tabla de localización y reparación de averías".
- Permita que el motor se caliente por varios minutos. Mientras el motor se calienta, ajuste la **perilla de estrangulación** moviéndola hacia la posición EN MARCHA. Espere hasta que el motor esté en marcha suave antes de cada ajuste del estrangulador.
- (Arranque eléctrico)** Desconecte el cable de alimentación, primero

del tomacorrientes y luego del **motor de arranque**.



Figura 14

Cómo hacer arrancar un motor caliente

Si está arrancando un motor caliente después de haberlo apagado por un periodo corto, deje el estrangulador/ahogador en "APAGADO" (OFF) y no oprima el botón cebador. Si el motor no arranca, siga las instrucciones sobre Arranque del motor en frío.

ARRANQUE CONGELADO

Si el motor de arranque está congelado y no enciende el motor, siga los pasos siguientes.

- Jale tanta cuerda del motor de arranque como sea posible.
- Suelte la manija de arranque manual y déjela enrollarse con fuerza contra el motor de arranque. Repita hasta que logre encender el motor.

Cuando hace frío, un motor caliente producirá condensación. Para ayudar a evitar que se congelen el arranque manual y los controles del motor, proceda de la manera siguiente después de cada trabajo de remoción de nieve.

- Deje que el motor (apagado) se enfríe unos cuantos minutos.
- Jale lentamente el cordón (cuerda) de arranque hasta que sienta resistencia, luego deje de jalar. Permita que el cordón vuelva a enrollarse. Repita tres veces.
- Con el motor apagado, limpie toda la nieve y humedad de la cubierta del carburador en la zona de los controles y las palancas. Asimismo, mueva la palanca del estrangulador/ahogador y la manija de arranque varias veces.



ADVERTENCIA: Nunca arranque el motor dentro de un recinto cerrado o en áreas con poca ventilación. Los gases de escape del motor contienen MONÓXIDO DE CARBONO, UN GAS INODORO Y MORTAL. Mantenga las manos, los pies, el pelo y la ropa suelta alejados de las partes en movimiento tanto del motor como del quitanieves.

- Las partes del motor, particularmente el silenciador, se ponen muy calientes. El contacto puede producir quemaduras severas debido al calor. Deje que el motor se enfríe antes de tocarlo.
- Los niños nunca deben operar el quitanieves. Los adultos no capacitados nunca deben operar el quitanieves.
- Asegúrese de que en el área a despejar no haya personas, especialmente niños pequeños y mascotas.
- No deje nunca el quitanieves desatendido mientras el motor está encendido. Las personas que operen el motor o equipo deben haber leído detenidamente y entendido las instrucciones de operación.

CÓMO RETIRAR OBJETOS ATASCADOS EN LA BARRENA



ADVERTENCIA: No intente remover ningún objeto atascado en la barrena sin tomar primero las precauciones siguientes:

- Suelte la palanca de propulsión de la barrena.
- Gire la llave de ignición (encendido) a la posición stop para parar el motor.
- Desconecte el cable de la bujía.
- No coloque las manos en la barrena o en el tubo de descarga. Use una barra de apalancamiento.

SUGERENCIAS PARA EL LANZAMIENTO DE NIEVE

1. Cuando se levanta el mango, las hojas de caucho de la barrena entran en contacto con el suelo y el quitanieves avanza. Cuando se suelta la palanca de propulsión de la barrena, las hojas de caucho de la barrena se paran. Si las hojas de caucho no paran, consulte "Cómo ajustar el cable de propulsión de la barrena" en la sección de Servicio y Ajustes.
2. El lanzamiento de nieve más efectivo se logra cuando la nieve se quita inmediatamente después de la nevada.
3. Para quitar completamente la nieve, sobreponga ligeramente las pasadas del quitanieves.
4. Cuando sea posible, descargue la nieve a favor del viento.
5. Se puede ajustar la distancia a la que la nieve será lanzada, moviendo el deflector del tubo de descarga. Para más distancia levante el deflector, para menos distancia baje el deflector.
6. En condiciones de mucho viento, baje el deflector del tubo de descarga para dirigir la nieve lanzada más cerca del suelo para evitar que el viento la sople hacia áreas no deseadas.
7. Para su seguridad y para prevenir el daño al quitanieves, mantenga el área que va a limpiar, libre de rocas, juguetes y otros objetos extraños.
8. Cuando esté quitando la nieve sobre entradas de auto cubiertas con grava o roca triturada, no deje que las cuchillas de la barrena toquen el suelo. Mueva el mango hacia abajo para levantar ligeramente las cuchillas de la barrena.
9. La velocidad de avance del quitanieves depende de la profundidad y del peso de la nieve. La manera más eficiente de

usar el quitanieves será determinada por su experiencia bajo diversas condiciones.

10. Después de cada trabajo deje que el motor funcione por unos minutos. Así se derretirá la nieve y el hielo acumulados en el motor.
11. Limpie el quitanieves después de cada uso.
12. Quite el hielo, la nieve y los residuos de todo el quitanieves. Enjuáguelo con agua para quitarle toda la sal y otros productos químicos. Seque el quitanieves.

NIEVE SECA Y DE POCA PROFUNDIDAD

1. La nieve que se acumule hasta profundidades de ocho pulgadas puede quitarse rápida y fácilmente, caminando a una velocidad moderada con el quitanieves. Para acumulaciones de nieve de mayor profundidad, camine más lento para permitir la descarga uniforme de nieve tan pronto sea recogida por la barrena.
2. Intente descargar la nieve a favor del viento.

NIEVE MOJADA Y COMPACTA

Avance lentamente para despejar la nieve mojada y compacta. Si este tipo de nieve hace que la barrena gire más lento o empieza a atascar el tubo de descarga, retírese un poco y empiece una serie de movimientos cortos con el quitanieves, hacia adelante y hacia atrás. Estos movimientos cortos en la nieve (de cuatro a seis pulgadas), ayudarán a arrojar la nieve del tubo de descarga.

BANCOS Y ACUMULACIONES GRANDES DE NIEVE

Para despejar la nieve que se acumula a una altura mayor que el quitanieves, use el método descrito anteriormente (movimientos cortos hacia adelante y hacia atrás). Oriente el tubo de descarga en dirección opuesta a la del banco o acumulación grande de nieve. La remoción de este tipo de nieve tomará más tiempo.

MANTENIMIENTO

RESPONSABILIDADES DEL PROPIETARIO

REGISTROS DE SERVICIO Anote las fechas en que se hace mantenimiento regular	Antes de cada uso	A menudo	Cada 8 horas	Cada 25 horas	Cada 50 horas	Cada 100 horas	Cada estación	Antes de guardarlo
Revisar el nivel de aceite del motor	✓		✓					
Cambiar el aceite del motor					✓			
Apretar todos los tornillos y tuercas	✓	✓						
Revisar y limpiar la bujía				✓				
Reemplazar la bujía						✓		
Limpiar y examinar el parachispas					✓			
Lubricar el reborde del control de descarga								✓
Revisar el combustible	✓							
Revisar el ajuste de cable de control de la barrena				✓				

RECOMENDACIONES GENERALES

La garantía de este quitanieves no cubre piezas que hayan sido sometidas a abuso o negligencia por parte del operador. Para recibir el valor completo de la garantía, el operador debe mantener el quitanieves de acuerdo a las instrucciones contenidas en este manual. Se deben hacer algunos ajustes periódicamente para mantener adecuadamente su quitanieves.

El mantenimiento, reemplazo o reparación de los dispositivos y sistemas de control de emisiones puede ser realizado por cualquier establecimiento o individuo que se especialice en la reparación de motores de todo terreno. El mantenimiento regular mejorará el rendimiento y prolongará la vida útil del motor.



WARNING: Do not strike the flywheel with a hammer or a hard object. If done, the flywheel can shatter during operation. Do not tamper with the governor spring, links or other parts to increase engine speed.

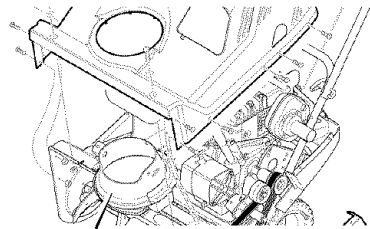
DESPUÉS DE CADA USO

- Haga funcionar la unidad para que salga toda la nieve acumulada en la barrena.

F-051010C

- Para evitar el congelamiento de la barrena o de los controles, limpie toda la nieve y el hielo del quitanieves.
- Vea si hay piezas sueltas o dañadas.
- Apriete los sujetadores que estén sueltos.
- Revise y dele mantenimiento a la barrena.
- Revise los controles para asegurarse de que funcionan adecuadamente.
- Para evitar el congelamiento de la barrena o de los controles, limpie toda la nieve y el hielo del quitanieves.

LUBRICACIÓN



Lubricar el reborde del control del tubo de descarga. Lubricar el reborde con un tipo de grasa que se adhiera tal como Lubriplate.

Figura 15

MANTENIMIENTO

ESPECIFICACIONES DEL MOTOR

CABALLOS DE FUERZA	5 HP
CILINDRADA	148 cc
CALIBRE	65mm (2,562 pulg.)
CARRERA	45mm (1,750 pulg.)
CAPACIDAD DE GASOLINA	2 cuartos (octanaje de 85, sin plomo)
CAPACIDAD DE ACEITE	16 onzas, 5W30
BUJÍA:	Champion RJ19LM (Entrehierro 0,030plg.)
JUEGO DE VÁLVULA:	Entrada: 0,005–0,007 plg. Escape: 0,007–0,009 plg.
ENTREHIERRO DEL INDUCIDO:	0,006–0,010 pulg.

CLASIFICACIÓN DE POTENCIA

La clasificación de potencia para un modelo de motor en particular se desarrolla inicialmente comenzando con el código J1940 de SAE (Sociedad de Ingenieros Automotrices)

(Procedimiento de Clasificación de Potencia & Torque del Motor Pequeño) (Revisión 2002-05). Dado ambos un amplio conjunto de productos en los cuales son puestos nuestros motores, y la variedad de emisiones ambientales aplicables al operar el equipo, puede que el motor que usted haya comprado no desarrolle la potencia nominal cuando sea usado en una parte del equipo acoplado (potencia real "en el-sitio"). Esta diferencia se debe a una variedad de factores incluyendo, pero no limitándose a, lo siguiente: diferencias en altitud, temperatura, presión barométrica, humedad, combustible, lubricación del motor, máxima velocidad regulada del motor, el motor particular a la variabilidad del motor, diseño de la parte en particular del equipo acoplado, la manera en la cual es operado el motor, el despegue del motor para reducir la fricción y para limpiar las cámaras de combustión, los ajustes a las válvulas y al carburador, y otra variedad de factores. Esta clasificación de potencia puede también ser ajustada basándose en comparaciones a otros motores semejantes utilizados en aplicaciones similares, y por lo tanto no se igualarán necesariamente los valores derivados usando los códigos anteriores.

QUITANIEVES

MOTOR

LUBRICACIÓN

Revise el nivel de aceite en el cárter del motor antes de encenderlo y después de cada ocho (8) horas de uso continuo. Figura 16. Agregue aceite de motor S.A.E. 5W30 a medida que sea necesario. El aceite sintético 5W30 es aceptable para cualquier temperatura. Apriete la tapa/varilla indicadora en forma segura cada vez que revise el nivel del aceite.

F-051010C



NOTA: El nivel de aceite debe indicar LLENO (FULL).

MANTENIMIENTO

Cambie el aceite cada cincuenta (50) horas de uso, o por lo menos una vez al año si el quitanieves no se usa por cincuenta (50) horas.

CAMBIO DE ACEITE

1. Coloque el quitanieves de manera tal que el **tapón de drenaje del aceite** quede en el punto más bajo del motor.
2. Cuando el motor está todavía un poco caliente, quite el **tapón de drenaje del aceite** (vea la Figure 17) y la **tapa/varilla indicadora del nivel de aceite** (vea la Figure 16). Drene el aceite en un recipiente apropiado.
3. Una vez que haya sacado todo el aceite, coloque nuevamente el tapón de drenaje en su lugar y apriételo para que quede seguro.
4. Llene lentamente el cárter del motor con aceite recomendado. **NO LO LLENE DE-**

MASIADO. Consulte “Para añadir aceite” en la sección de Operación.

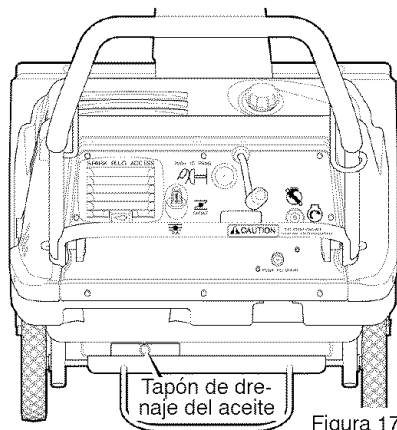


Figura 17

PARA AJUSTAR O REEMPLAZAR LA BUJÍA

Revise la **bujía** cada 25 horas. Reemplácela si los electrodos están picados o quemados o si la porcelana está rajada, o cada 100 horas.

La bujía se encuentra en el alojamiento del motor bajo la cubierta superior y normalmente no se puede ver.

1. Abra la **puerta de acceso** en el panel de control (Figura 18).
2. La bujía y el cable ahora están visibles.
3. Quite el cable de la bujía.
4. Limpie el área alrededor de la base de la bujía para evitar la entrada de suciedad en el motor al retirar la bujía.
5. Retire la bujía.
6. Examine la bujía. Si la bujía está picada, dañada o sucia, reemplácela.
7. Ajuste el entrehierro de los electrodos de la bujía de repuesto a 0,030 pulg. (Figura 19).
8. Instale la bujía en la cabeza del cilindro y apriétela bien.

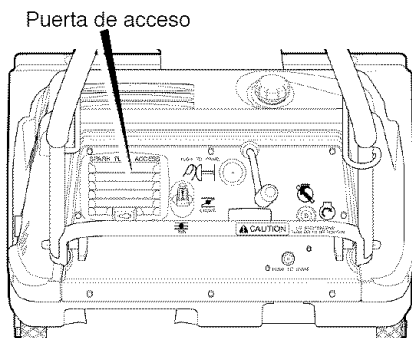
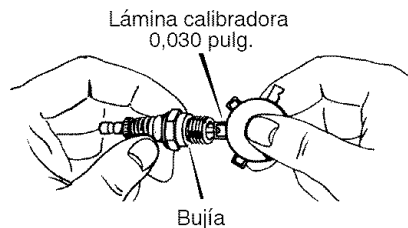


Figura 18



Bujía

Figura 19



ADVERTENCIA: Para prevenir el arranque accidental del motor, siempre desconecte el cable de la bujía y manténgalo alejado de ésta, mientras realiza ajustes o reparaciones a la unidad.

CÓMO AJUSTAR EL CABLE DE CONTROL DE LA BARRENA

El ajuste del cable de control de la barrena se hace en la fábrica. Durante el uso normal del quitanieves, este cable puede aflojarse previniendo que la palanca de propulsión de la barrena enganche o desenganche correctamente.

1. Quite el **gancho en "Z"** de la **palanca de propulsión de la barrena** (Figura 20).
2. Deslice la **funda del cable** (si la hay) sobre el **cable de control de la barrena** hasta que la **funda del cable** no cubra ninguna parte del **soporte de ajuste del cable** (Figura 7).
3. Guíe el extremo del **cable de control de la barrena** a través del ojal del **soporte de ajuste del cable** de la manera indicada por la flecha en la Figura 21. Esto le dará suficiente huelgo permitiendo retirar con facilidad el **gancho en "Z"**.
4. Coloque el **gancho en "Z"** en el próximo agujero de ajuste en el **soporte de ajuste del cable**. Este agujero de ajuste es el que se encuentra un espacio más abajo del agujero donde se encontraba colocado anteriormente el **gancho en "Z"**.
5. Tire del **cable de control de la barrena** a través del ojal del **soporte de ajuste del cable** hasta que no quede huelgo en el **cable de control de la barrena**.
6. Deslice nuevamente la **funda del cable** sobre el **soporte de ajuste del cable**.
7. Monte el **gancho en "Z"** a la **palanca de propulsión de la barrena** (Figura 20).
8. Para comprobar el ajuste, arranque el quitanieves. Asegúrese de que la barrena no gire al soltar la **palanca de propulsión**. Enganche la **palanca de propulsión de la barrena** y compruebe que la barrena comienza a girar. Si ésta no gira, repita el procedimiento de "Ajuste del cable de control de la barrena".

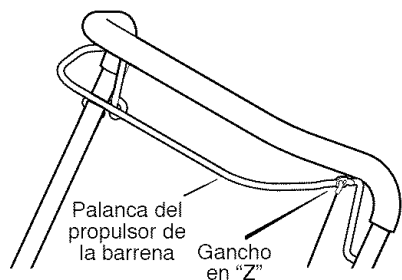


Figura 20

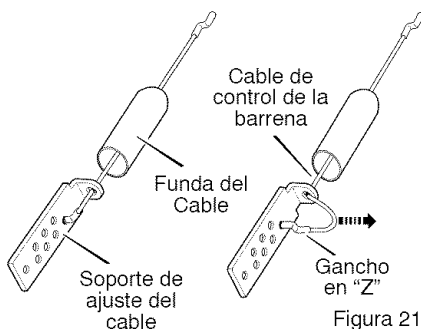


Figura 21

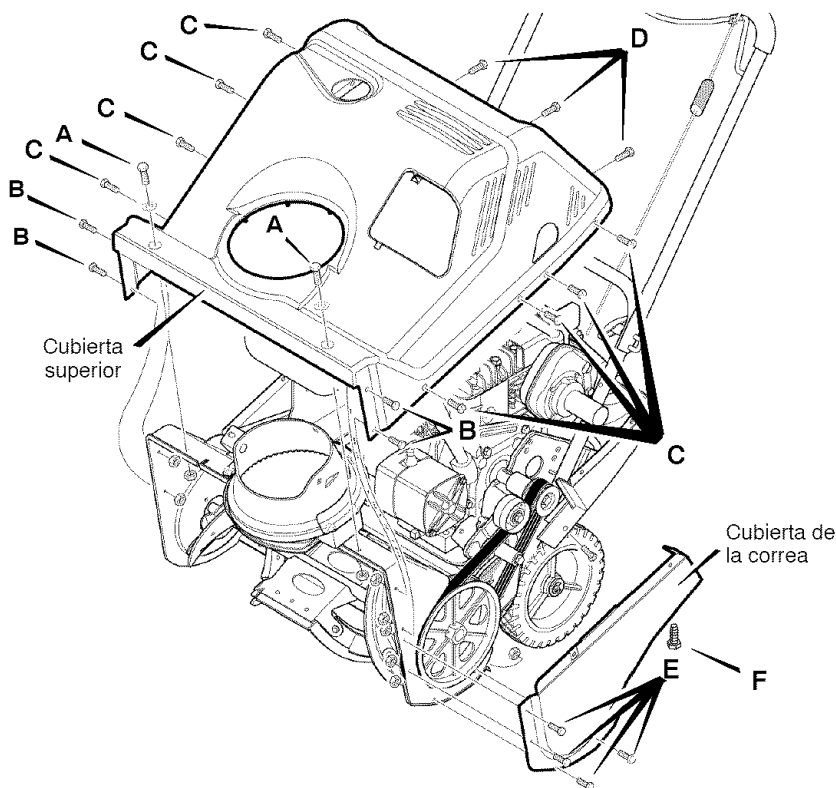
CÓMO QUITAR LA CUBIERTA SUPERIOR

1. Desmonte el **tubo de descarga**.
2. Quite la tapa del tanque de combustible.
3. Quite los dos **pernos (A)** y tuercas de la parte del frente de la **cubierta superior**.
4. Quite los dos **pernos (B)** y tuercas del lado derecho y del lado izquierdo de la **cubierta superior**.
5. Quite los ocho **ornillos (C)** del lado derecho y del lado izquierdo de la **cubierta superior**.
6. Quite los cinco **ornillos (D)** de la parte superior del panel de control.
7. Quite con cuidado la **cubierta superior** agarrándola y jalándola desde la parte de atrás y pasándola sobre el tanque de combustible.

8. Para montar la **cubierta superior**, realice los pasos anteriores en orden inverso.

CÓMO QUITAR LA CUBIERTA DE LA CORREA

1. Quite los **pernos (E)** y las tuercas que sujetan la **cubierta de la correa** al alojamiento de la barrena.
2. Si no se ha quitado la cubierta superior, saque los **ornillos (C)** que sujetan la **cubierta de la correa** a la cubierta superior.
3. Quite el **ornillo (F)** que sujeta la **cubierta de la correa** a la **cubierta inferior**.
4. Para quitar la **cubierta de la correa**, agárrela por la parte inferior y jale hacia abajo y hacia afuera.
5. Para instalar la **cubierta de la correa**, realice los pasos anteriores en orden inverso.



SERVICIO Y AJUSTES

CÓMO REEMPLAZAR LA CORREA DE TRANSMISIÓN

La correa de transmisión está construida especialmente para la unidad y debe ser reemplazada únicamente con una correa original de fábrica para su unidad, disponible en su centro de servicio Sears más cercano.

1. Quite la cubierta de la correa. Consulte "Cómo quitar la cubierta de la correa".
2. Saque la **correa de transmisión** de la **polea tensora** (Figura 23).
3. Retire la **guía de correa** de la correa.
4. Para reducir la presión a la correa de transmisión, separe la polea tensora de la correa. Saque la correa de transmisión de entre la **zapata de freno** y el **rodillo de freno**.
5. Saque la **correa de transmisión** vieja.
6. Para instalar la nueva **correa de transmisión**, realice los pasos anteriores en el orden inverso.
7. Asegure que la **correa de transmisión** quede montada correctamente en las poleas.
8. Ajuste la guía de correa para que deje un espacio de $3/32$ de pulgada, como se muestra en la Figura 24.

NOTA: Cuando se engancha la palanca de control de la barrena, la guía de correa debe quedar a $3/32$ de pulgada de la correa de transmisión.

9. Instale la cubierta de la correa. Consulte "Cómo quitar la cubierta de la correa".

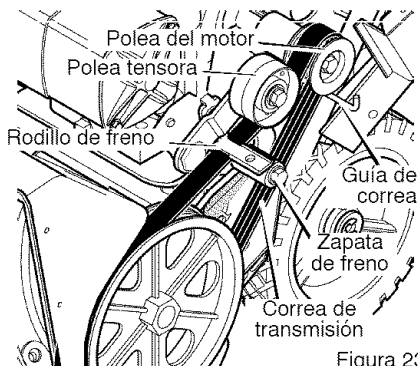
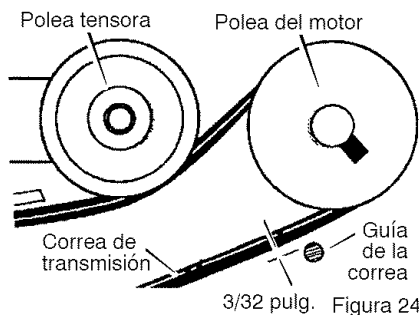


Figura 23



$3/32$ pulg. Figura 24

CÓMO SACAR LA BARRENA

1. Retire la cubierta de la correa. Consulte "Cómo quitar la cubierta de la correa".
2. Saque la correa de transmisión. Consulte "Cómo reemplazar la correa de transmisión".
3. Saque la **polea de la barrena (1)** del vástago de la barrena (la rosca va hacia la izquierda; gire hacia la derecha para sacar).
4. Para que la barrena no gire mientras hace esta reparación, coloque un pedazo de madera de 2×4 pulgadas en la paleta del centro para asegurar la barrena.
5. Retire las dos **tuercas (A)** que sujetan la **unidad de cojinetes**. Saque la **unidad de cojinetes** del **alojamiento de barrena**.
6. Deslice la **barrena** primero hacia la izquierda y luego fuera de la unidad de

cojinetes en el lado derecho del quitanieves.

7. Incline la **barrena** suficientemente para permitir que salga del **alojamiento de barrena**.
8. Para instalar la **barrena**, realice los pasos anteriores en orden inverso.

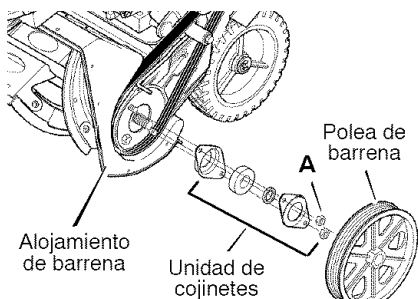


Figura 25

SERVICIO Y AJUSTES

CÓMO DESMONTAR EL TUBO DE DESCARGA

1. Quite los pernos que sujetan el **tubo de descarga** a la **cubierta superior**.
2. Quite el **tubo de descarga**.

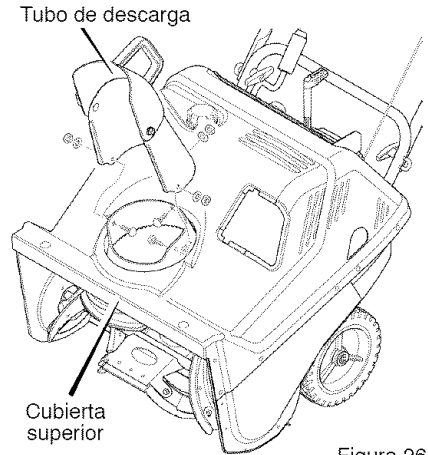


Figura 26

CÓMO AJUSTAR LA ZAPATA DE FRENO

IMPORTANTE: El ajuste es necesario solamente si la zapata de freno se ha soltado o se ha salido. El ajuste se realiza de la manera siguiente:

1. Retire la cubierta superior. Consulte "Cómo quitar la cubierta superior".
2. Retire la cubierta de la correa. Consulte "Cómo quitar la cubierta de la correa".
3. Ate la palanca del propulsor de la barra al mango. Esto mantendrá enganchado el sistema de transmisión.
4. Afloje el **tornillo** y la tuerca en el **brazo de la zapata de freno** (Figura 27).
5. Establezca el espacio libre entre la **zapata de freno** y la **correa de transmisión** a **1/8 de pulgada**.
6. Apriete el **tornillo** y la tuerca en el **brazo de la zapata de freno**.

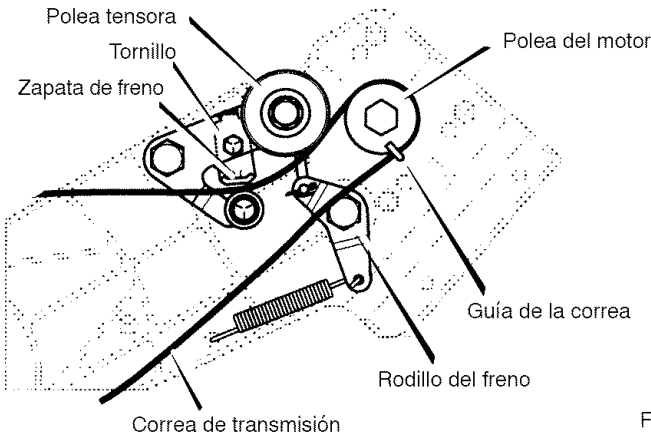


Figura 27

ALMACENAMIENTO



ADVERTENCIA: Nunca guarde su quitanieves con gasolina en el tanque de combustible en ambientes interiores o en un área cerrada y mal ventilada. Si queda gasolina en el tanque, los vapores podrían alcanzar alguna llama expuesta, chispa o llama piloto de una caldera, calentador de agua, secadora de ropa, cigarrillo, etc.

Para prevenir el daño (si el quitanieves no se usa por más 30 días) prepárelo como se indica a continuación.

QUITANIEVES

1. Limpie todo el quitanieves.
2. Lubrique todos los puntos de lubricación. Consulte la sección de **Mantenimiento**.
3. Asegúrese de que todas las tuercas, pernos y tornillos estén bien apretados. Inspeccione todas las piezas móviles visibles para detectar daños, roturas y desgaste. Haga los reemplazos necesarios.
4. Retoque todas las superficies oxidadas o que tengan la pintura saltada; líjelas suavemente antes de aplicar la pintura.
5. Cubra las piezas de metal expuesto del soplador del alojamiento de la barrena y del impulsor, con un anticorrosivo, tal como un lubricante en aerosol.

NOTA: Una revisión o afinamiento anual hecho en un Centro de Servicio Sears es una buena manera de asegurar que su quitanieves le brinde el máximo rendimiento la siguiente temporada.

MOTOR

Deberá sacar la gasolina del tanque o prepararla para prevenir la formación de depósitos de goma en el tanque, filtro, manguera y carburador durante el almacenamiento. Además, durante el almacenamiento, la gasolina mezclada con alcohol que contiene etanol o metanol (llamada a veces gasohol) atrae agua, y ésta actúa sobre la gasolina formando ácidos que dañan el motor.

1. Deje el motor en marcha hasta que el tanque quede vacío y el motor se pare.
2. Si no quiere sacar la gasolina, use el estabilizador de combustible provisto con la unidad, o compre estabilizador de combustible Craftsman Núm. 3550. Añada el estabilizador de combustible a cualquier cantidad de gasolina que permanezca en el tanque para minimizar los depósitos de goma y ácido. Si el tanque está casi vacío, mezcle el estabilizador con gasolina fresca en un recipiente separado y añada un poco de esta mezcla al tanque.
3. Siempre siga las instrucciones del envase del estabilizador. Luego de añadir el estabilizador, encienda el motor y déjelo correr por 10 minutos por lo menos para permitir que la mezcla alcance el carburador.
4. Cambie el aceite del motor
5. Saque la bujía y vierta aproximadamente 15 ml (1/2 onza) de aceite para motor en el cilindro. Vuelva a colocar la bujía y vire el motor lentamente para distribuir el aceite.
6. Almacene en un área limpia y seca, pero NO cerca de una estufa, caldera o calentador de agua que tenga una llama piloto ni algún otro dispositivo que pueda generar chispas.

OTRAS INDICACIONES

1. Si fuera posible, guarde su quitanieves dentro de un recinto, cubriéndolo para protegerlo del polvo y la suciedad.
2. Si debe guardar el quitanieves afuera, colóquelo sobre bloques para levantarlos del suelo.
3. Cubra el quitanieves con una cubierta protectora apropiada que no retenga humedad. No use plástico.

IMPORTANTE: Nunca cubra el quitanieves mientras las áreas del motor y del escape estén todavía calientes.

TABLA DE LOCALIZACIÓN Y REPARACIÓN DE AVERÍAS

PROBLEMA	CAUSA	CORRECCION
Dificultad para arrancar	Bujía defectuosa.	Reemplace la bujía defectuosa.
	Agua o suciedad en el sistema de combustible.	Vacíe y limpie el tanque de combustible; vuelva a llenar el tanque con una mezcla fresca de combustible.
El motor funciona erráticamente	Línea de combustible bloqueada, tanque de combustible vacío o mezcla de combustible añeja.	Limpie la línea de combustible; revise el suministro de combustible; ponga una mezcla fresca de combustible en el tanque.
El motor se para	La unidad está funcionando con la palanca de estrangulación (ahogador) en la posición de ESTRANGULACION (CHOKE).	Coloque la palanca de estrangulación en la posición run (arranque) o en la posición off (apagado).
El motor funciona erráticamente; Pérdida de potencia	Agua o suciedad en el sistema de combustible.	Vacíe y limpie el tanque de combustible; vuelva a llenar el tanque con una mezcla fresca de combustible.
Vibración excesiva	Conjunto de la barrena dañado.	Repáre o reemplace el conjunto de la barrena.
	Partes sueltas. propulsor dañado.	Pare el motor inmediatamente. Saque la llave de encendido. Apriete todos los sujetadores y realice todas las reparaciones necesarias. Si la vibración continúa, lleva la unidad a su centro de servicio Sears.
La unidad no avanza por autopropulsión	La correa de propulsión de la barrena está suelta o dañada.	Reemplace la correa de propulsión.
	Ajuste incorrecto del cable de propulsión de la barrena.	Ajuste el cable de propulsión.
La unidad no descarga nieve	La correa de propulsión de la barrena está suelta o dañada.	Ajuste la correa de propulsión de la barrena; reemplace la correa si está dañada.
	El cable de control de la barrena no está ajustado correctamente.	Ajuste el cable de control de la barrena.
	Tubo de descarga obstruido.	Pare el motor inmediatamente y desconecte el cable de la bujía. Limpie el tubo de descarga y dentro del alojamiento de la barrena.
	Objeto extraño atorado en la barrena	Pare el motor inmediatamente y desconecte el cable de la bujía. Retire el objeto atorado en la barrena.

(Esta página es aplicable únicamente en Estados Unidos de América y Canadá.)

**Sears, Roebuck and Co., U.S.A. (Sears), Junta de Recursos Ambientales de California (CARB) y Agencia de Protección Ambiental de los Estados Unidos (U.S. EPA)
Declaración de la Garantía del Sistema de Control de Emisiones (Derechos y Obligaciones del Propietario de la Garantía de Defectos)**

LA COBERTURA DE LA GARANTÍA DEL CONTROL DE EMISIONES ES APLICABLE A LOS MOTORES CERTIFICADOS QUE HAYAN SIDO COMPRADOS EN CALIFORNIA A PARTIR DE 1995 Y DESPUÉS DE ESTA FECHA, LOS CUALES SEAN USADOS EN CALIFORNIA, Y

PARA LOS MOTORES CERTIFICADOS MODELOS 1997 EN ADELANTE QUE SEAN COMPRADOS Y USADOS EN OTRA PARTE DE LOS ESTADOS UNIDOS (Y A PARTIR DE ENERO 1 DE 2001 EN CANADA).

Declaración de la Garantía de Defectos del Sistema de Control de Emisiones de California, Estados Unidos y Canadá

La Junta de Recursos Ambientales (CARB), La Agencia de Protección Ambiental de los Estados Unidos U.S. EPA y Sears se complacen en explicarles la Garantía del Sistema de Control de Emisiones de su motor pequeño modelo 2000 en adelante para uso en terrenos sin pavimento (SORE). En California, los nuevos motores pequeños para uso en terrenos sin pavimento deben ser diseñados, fabricados y equipados para cumplir los rigurosos estándares anti-smog del Estado. En cualquier otra parte de los Estados Unidos, los nuevos motores de encendido por chispa para no uso en carreteras modelos 1997 y posteriores, deben cumplir estándares similares a los establecidos por la Agencia de Protección Ambiental de los Estados Unidos (U.S.

EPA). Sears debe garantizar el sistema de control de emisiones en su motor por los períodos de tiempo listados abajo, teniendo en cuenta que no haya habido abuso, negligencia o mantenimiento no apropiado en su motor pequeño para uso en terrenos sin pavimento.

Su sistema de control de emisiones incluye partes tales como el carburador, el filtro de aire, el sistema de encendido, el mofle y el convertidor catalítico. También puede incluir conectores y otros conjuntos relacionados con el sistema de emisiones.

Siempre que exista una condición de garantía, Sears reparará su motor pequeño para uso en terrenos sin pavimento sin ningún costo para usted incluyendo el diagnóstico, las partes y la mano de obra.

Cobertura de la Garantía de Defectos del Sistema de Control de Emisiones Sears

Los motores pequeños para uso en terrenos sin pavimento se garantizan relativo a los defectos de las partes del sistema de control de emisiones durante un período de dos años, su-

jeto a las provisiones establecidas abajo. Si alguna de las partes bajo cobertura en su motor se encuentra defectuosa, la parte será reparada o reemplazada por Sears.

Responsabilidades del Propietario de la Garantía

Como propietario de un motor pequeño para uso en terrenos sin pavimento, usted es responsable de que se lleve a cabo el mantenimiento requerido el cual se indica en sus Instrucciones de Mantenimiento y Operación. Sears le recomienda guardar todos sus recibos que cubran el mantenimiento en su motor pequeño para uso en terrenos sin pavimento, pero Sears no solo puede negar la garantía por la falta de recibos sino por su omisión al asegurar la realización de todo el mantenimiento programado.

No obstante, como propietario de un motor pequeño para uso en terrenos sin pavimento, usted tiene que darse cuenta que Sears puede negarle la cobertura de la garantía si su motor pequeño para uso en terrenos sin pavimento o una de sus partes ha fallado debido a abuso,

negligencia, mantenimiento incorrecto o modificaciones no aprobadas

Usted es responsable de presentar su motor pequeño para uso en terrenos sin pavimento a un Distribuidor de Servicio Autorizado Sears tan pronto se presente el problema. Las reparaciones bajo garantía indisputables deben completarse en un período de tiempo razonable que no se exceda de 30 días.

Si usted tiene algunas preguntas relacionadas con los derechos y responsabilidades de la garantía, debe contactar a un Representante de Servicio Sears marcando el teléfono: 1-414-259-5262.

La garantía de emisiones es una garantía de defectos. Los defectos son juzgados en el desempeño normal de un motor. La garantía no está relacionada con una prueba de emisiones en uso.

Provisiones de la Garantía de Defectos del Sistema de Control de Emisiones Sears

Las siguientes son provisiones específicas relativas a la Cobertura de Garantía de Defectos del Sistema de Control de Emisiones. Es una adición de la garantía del motor Sears para los motores no-regulados encontrados en las Instrucciones de Mantenimiento y Operación.

1. Partes Garantizadas

La cobertura bajo esta garantía se extiende únicamente a las partes listadas abajo (partes de los sistemas de control de emisiones) hasta la extensión que estas partes fueron presentadas en el motor comprado.

a. Sistema de Medición de Combustible

- Sistema de Enriquecimiento de Arranque en Frío (estrangulación suave)
- Carburador y Partes Internas
- Bomba de Combustible

b. Sistema de Inducción de Aire

- Filtro de Aire
- Múltiple de Admisión

c. Sistema de Encendido

- Bujía(s)
- Sistema de Encendido con Magneto

d. Sistema Catalizador

- Convertidor Catalítico
- Múltiple de Escape
- Sistema de Inyección de Aire o Válvula de Pulsación

e. Items Varios Usados en los Sistemas Anteriores

- Vacío, Temperatura, Posición, Válvulas Sensitivas de Tiempo y Suiches
- Conectores y Conjuntos

2. Duración de la Cobertura

Sears garantiza al propietario inicial y a cada comprador subsecuente que las Partes Garantizadas estarán libres de defectos en materiales y mano de obra la cual haya ocasionado fallas de las Partes Garantizadas por un período de dos años a partir de la fecha en que es entregado el motor a un comprador detallista.

3. Sin Costo

La reparación o cambio de cualquier Parte Garantizada se llevará a cabo sin costo alguno para el propietario, incluyendo la labor

de diagnóstico la cual conduce a la determinación de que esa Parte Garantizada es defectuosa, si el trabajo de diagnóstico es realizado en un Centro de Servicio Autorizado Sears. Para servicio de garantía de emisiones contacte su Centro de Servicio Autorizado Sears más cercano listado en las "Páginas Amarillas" bajo "Motores, Gasolina", "Motores a Gasolina", "Máquinas Cortacésped" o en una categoría similar.

4. Reclamos y Exclusiones de la Cobertura

Los reclamos de la garantía se completarán de acuerdo con las provisiones de la Póliza de Garantía del Motor Sears. La cobertura de la garantía estará excluida para fallas de las Partes Garantizadas las cuales no sean partes originales Sears o por abuso, negligencia o mantenimiento incorrecto según se establece en la Póliza de Garantía del Motor Sears. Sears no se hace responsable de cubrir fallas de Partes Garantizadas ocasionadas por el uso de adición de partes, partes no-originales o partes modificadas.

5. Mantenimiento

Cualquier parte garantizada la cual no esté programada para cambio al realizar el mantenimiento requerido o la cual esté programada únicamente para una inspección regular por el efecto de "repare o cambie si es necesario" se garantizará por defectos durante el período de la garantía. Cualquier Parte Garantizada la cual esté programada para cambio por el mantenimiento requerido se garantizará únicamente por defectos durante el período de tiempo hasta el primer cambio programado para esa parte. Cualquier repuesto que sea equivalente en desempeño y durabilidad puede ser usado al llevar a cabo toda tarea de mantenimiento o reparación. El propietario es responsable de la realización de todo el mantenimiento requerido, según se define en las Instrucciones de Mantenimiento y Operación Sears.

6. Cobertura Consecuente

La cobertura aquí establecida se extenderá hasta la falla de cualquiera de los componentes del motor ocasionada por la falla de cualquier Parte Garantizada que aún se encuentre bajo garantía.

Busque el Período de Durabilidad de Emisiones y la Información del Índice de Aire Pertinentes en su Etiqueta de Emisiones del Motor

Los motores que son certificados para cumplir con las Normas de Emisiones Etapa 2 de la Junta de Recursos Ambientales de California (CARB) deben mostrar la información referente al Período de Durabilidad de Emisiones y al Índice de Aire. Sears, Roebuck and Co., U.S.A. hace que esta información esté disponible para el consumidor en nuestras etiquetas de emisiones. La etiqueta del motor indicará la información de certificación.

El **Período de Durabilidad de Emisiones** describe el número de horas del tiempo real de operación para el cual está certificado el motor por cumplir con las emisiones, asumiendo un mantenimiento apropiado de acuerdo con las Instrucciones de Mantenimiento y Operación. Se utilizan las siguientes categorías:

Moderado: El motor es certificado para cumplir con las emisiones durante 125 horas del tiempo real de operación del motor.

Intermedio: El motor es certificado para cumplir con las emisiones durante 250 horas del tiempo real de operación del motor.

Prolongado: El motor es certificado para cumplir con las emisiones durante 500 horas del tiempo real de operación del motor.

Por ejemplo, una máquina cortacésped de arrastrar típica es usada de 20 a 25 horas por año. Por lo tanto, el **Período de Durabilidad de Emisiones** de un motor con una clasificación **intermedia** se igualaría de 10 a 12 años.

El **Índice de Aire** es un número calculado que describe el nivel relativo de emisiones para una familia específica de motores. Mientras más bajo sea el **Índice de Aire**, más limpio será el motor. Esta información es mostrada en forma gráfica en la etiqueta de emisiones.

Después de Julio 1, 2000, Busque el Período de Conformidad de Emisiones en la Etiqueta de Conformidad de Emisiones del Motor

Después de Julio 1, 2000 ciertos motores Sears, Roebuck and Co., U.S.A. estarán certificados por cumplir con las normas de emisiones Fase 2 de la Agencia de Protección Ambiental de los Estados Unidos (USEPA). Para los motores certificados Fase 2, el Período de Conformidad de Emisiones al cual se refiere la Etiqueta de Conformidad de Emisiones indica el número de horas de operación para las cuales el motor ha demostrado que cumple con los requerimientos Federales de emisiones. Para motores con un desplazamiento inferior a 225 cc, Categoría C = 125 horas, B = 250 horas y A = 500 horas. Para motores con un desplazamiento de 225 cc o superior, Categoría C = 250 horas, B = 500 horas y A = 1000 horas.

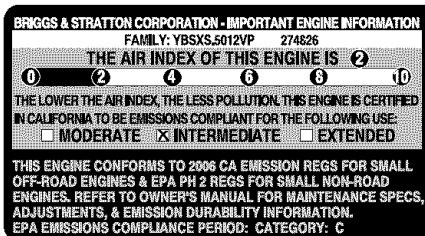
El desplazamiento de los motores Modelos Serie 90000 es 148 cc.

El desplazamiento de los motores Modelos Serie 120000 es 206 cc.

El desplazamiento de los motores Modelos Serie 200000 es 305 cc.

El desplazamiento de los motores Modelos Serie 210000 es 342 cc.

Esta es una representación genérica de una etiqueta de emisiones típicamente encontrada en un motor certificado.



Get it fixed, at your home or ours!

Your Home

For repair – **in your home** – of **all** major brand appliances, lawn and garden equipment, or heating and cooling systems, **no matter who made it, no matter who sold it!**

For the replacement parts, accessories and owner's manuals that you need to do-it-yourself.

For Sears professional installation of home appliances and items like garage door openers and water heaters.

1-800-4-MY-HOME® Anytime, day or night
(1-800-469-4663) (U.S.A. and Canada)
www.sears.com www.sears.ca

Our Home

For repair of carry-in products like vacuums, lawn equipment, and electronics, call or go on-line for the nearest **Sears Parts and Repair Center.**

1-800-488-1222 Anytime, day or night (U.S.A. only)
www.sears.com

To purchase a protection agreement (U.S.A.) or maintenance agreement (Canada) on a product serviced by Sears:

1-800-827-6655 (U.S.A.) **1-800-361-6665** (Canada)

Para pedir servicio de reparación a domicilio, y para ordenar piezas:

1-888-SU-HOGARSM
(1-888-784-6427)

Au Canada pour service en français:

1-800-LE-FOYER^{MC}
(1-800-533-6937)
www.sears.ca

SEARS

© Sears, Roebuck and Co.

® Registered Trademark / TM Trademark / SM Service Mark of Sears, Roebuck and Co.

© Marca Registrada / TM Marca de Fábrica / SM Marca de Servicio de Sears, Roebuck and Co.

^{MC} Marque de commerce / ^{MD} Marque déposée de Sears, Roebuck and Co.

Free Manuals Download Website

<http://myh66.com>

<http://usermanuals.us>

<http://www.somanuals.com>

<http://www.4manuals.cc>

<http://www.manual-lib.com>

<http://www.404manual.com>

<http://www.luxmanual.com>

<http://aubethermostatmanual.com>

Golf course search by state

<http://golfingnear.com>

Email search by domain

<http://emailbydomain.com>

Auto manuals search

<http://auto.somanuals.com>

TV manuals search

<http://tv.somanuals.com>