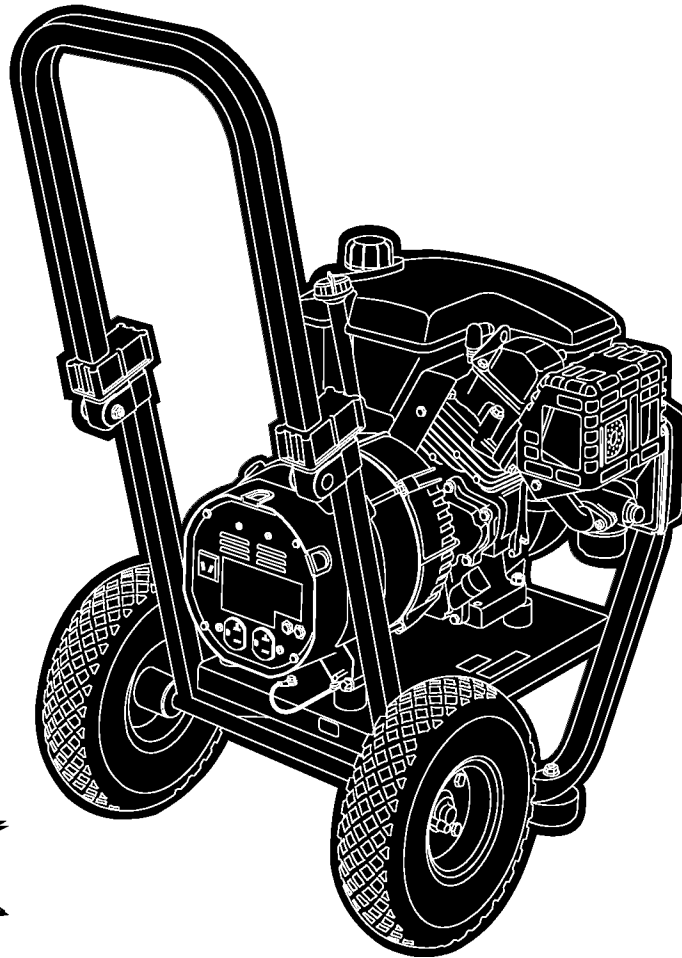


# Owner's Manual

# CRAFTSMAN®

## 3000 Watt AC Generator

Model No.  
580.329120



Generator  
Customer Helpline  
1-800-222-3136

HOURS: Mon. - Fri. 8 a.m. to 5 p.m. (CT)

### CAUTION:

Before using this product, read this manual and follow all its Safety Rules and Operating Instructions.

Sears, Roebuck and Co., Hoffman Estates, IL 60179

Visit our Craftsman website: [www.sears.com/craftsman](http://www.sears.com/craftsman)

Part No. 186956 Draft 1 (07/11/2001)

- Safety
- Assembly
- Operation
- Maintenance
- Parts
- Español

# TABLE OF CONTENTS

SAFETY RULES .....	3	TROUBLESHOOTING .....	13
ASSEMBLY .....	5	SCHEMATIC/WIRING DIAGRAM .....	14-15
OPERATION .....	5-9	REPLACEMENT PARTS .....	16-22
SPECIFICATIONS .....	10	EMISSION SYSTEM WARRANTY .....	24-25
MAINTENANCE .....	10-12	ESPAÑOL .....	26-39
STORAGE .....	12	HOW TO ORDER PARTS .....	BACK PAGE

## WARRANTY

### LIMITED WARRANTY FOR CRAFTSMAN GENERATORS

SEARS warrants to the original purchaser that the alternator and engine for its portable generator will be free from defects in materials or workmanship for the items and period set forth below from the date of original purchase. This warranty is not transferable.

	CONSUMER*	COMMERCIAL*
Alternator	1 year	90 Days
Engine	1 year	90 Days

\* NOTE: For the purpose of this warranty "Consumer Use" means personal residential household and emergency use by original purchaser, not to be used as a primary source of power. "Commercial Use" means all other uses, including rental, construction, commercial, and income producing purposes. Once a generator has experienced commercial use, it shall thereafter be considered a commercial use generator for the purpose of this warranty.

During said warranty period, SEARS will, at its option, repair or replace any part which, upon examination by SEARS, is found to be defective under normal use and service\*\*. Starting batteries are not warranted by SEARS. All transportation costs under warranty, including return to the factory if necessary, are to be borne by the purchaser and prepaid by him. This warranty does not cover normal maintenance and service and does not apply to a generator set, alternator or engine, or parts which have been subjected to improper or unauthorized installation or alteration, misuse, negligence, accident, overloading, over-speeding, improper maintenance, repair or storage so as, in SEARS's judgment, to adversely affect its performance and reliability.

\*\* NORMAL WEAR: As with all mechanical devices, engines need periodic parts service and replacement to perform well. This warranty will not cover repair when normal use has exhausted the life of a part or engine.

THERE IS NO OTHER EXPRESS WARRANTY. SEARS HEREBY DISCLAIMS ANY AND ALL IMPLIED WARRANTIES, INCLUDING BUT NOT LIMITED TO THOSE OF MERCHANTABILITY AND FITNESS FOR A PARTICULAR PURPOSE TO THE EXTENT PERMITTED BY LAW. THE DURATION OF ANY IMPLIED WARRANTIES WHICH CANNOT BE DISCLAIMED IS LIMITED TO THE TIME PERIOD AS SPECIFIED IN THE EXPRESS WARRANTY. LIABILITY FOR CONSEQUENTIAL, INCIDENTAL, OR SPECIAL DAMAGES UNDER ANY AND ALL WARRANTIES IS EXCLUDED.

Some provinces do not allow limitations on how long an implied warranty lasts, or the exclusion or limitation of incidental or consequential damages, so the above limitations or exclusions may not apply to you. This warranty gives you specific legal rights and you may also have other rights, which vary from state to state.

For service, see your nearest SEARS authorized warranty service facility. Warranty service can be performed only by a SEARS authorized service facility. This warranty will not apply to service at any other facility. At the time of requesting warranty service, evidence of original purchase date must be presented.

**SEARS, ROEBUCK and CO., D/817WA, Hoffman Estates, IL 60179 U.S.A.**

# SAFETY RULES



## WARNING:



The engine exhaust from this product contains chemicals known to the State of California to cause cancer, birth defects, or other reproductive harm.



**CAUTION!** Before using this product, read this manual and follow all Safety Rules and Operating Instructions.



**WARNING!** You must isolate the generator from the electric utility by opening the electrical system's main circuit breaker or main switch if this unit is used for backup power. **Failure to isolate the generator from the power utility may result in injury or death to electric utility workers and damage to the generator** due to a backfeed of electrical energy. When used as backup power, the local power utility must be notified.



**DANGER!** Generator exhaust gases contain **DEADLY carbon monoxide gas. Carbon monoxide, if breathed in sufficient concentrations, will cause unconsciousness or death.** Operate this equipment outdoors where adequate ventilation is available.



**CAUTION!** To prevent accidental starting when setting up, transporting, adjusting or making repairs to your generator, always disconnect spark plug wire and place the wire where it cannot contact the spark plug.

- The unit requires an adequate flow of cooling air for its continued proper operation. **Never** operate the unit inside any room or enclosure where the free flow of cooling air into and out of the unit might be obstructed. Allow at least 3 feet of clearance on all sides of generator or you could damage the unit.
- The generator produces dangerously high voltage that can cause extremely hazardous electrical shock. Avoid contact with bare wires, terminals, etc. **Never** permit any untrained person to operate or service the generator.
- **Do Not** overfill the fuel tank. Always allow room for fuel expansion. If tank is overfilled, fuel can overflow onto a hot engine and cause FIRE or an EXPLOSION.



**THIS IS THE SAFETY ALERT SYMBOL. IT IS USED TO ALERT YOU TO POTENTIAL PERSONAL INJURY HAZARDS. OBEY ALL SAFETY MESSAGES THAT FOLLOW THIS SYMBOL TO AVOID POSSIBLE INJURY OR DEATH.**

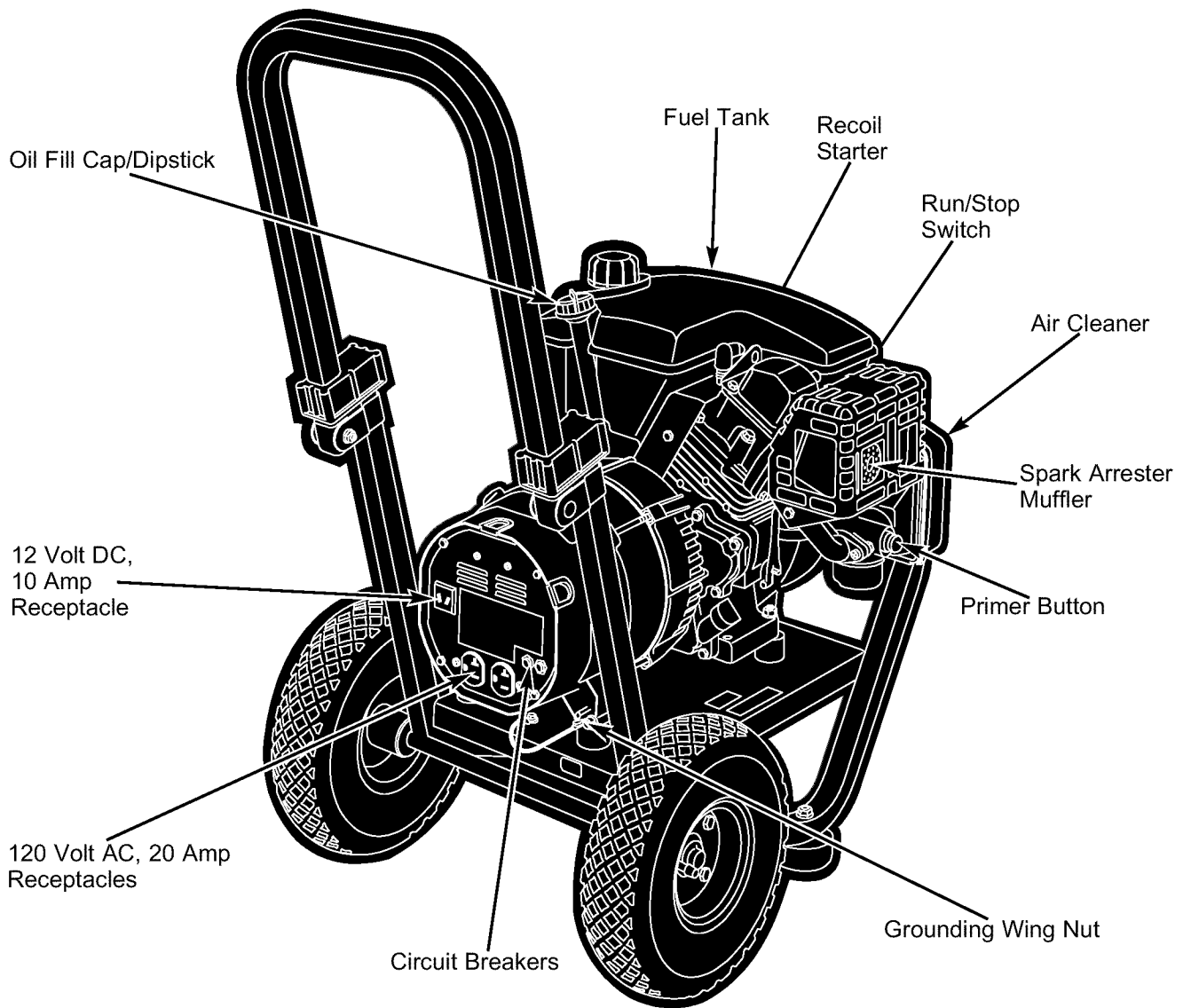
- **Never operate the generator:** in rain; in any enclosed compartment; when connected electrical devices overheat; if electrical output is lost; if engine or generator sparks; if flame or smoke is observed while unit is running; if unit vibrates excessively.
- **Never** handle any kind of electrical cord or device while standing in water, while barefoot or while hands or feet are wet. Dangerous electrical shock will result.
- Use a ground fault circuit interrupter in any damp or highly conductive area (such as metal decking or steel work).
- **Do Not** use worn, bare, frayed or otherwise damaged electrical cord sets with the generator. Using any defective cord set may result in electrical shock or damage to property.
- Operate generator only on level surfaces and where it will not be exposed to excessive moisture, dirt, dust or corrosive vapors.
- Gasoline is highly **FLAMMABLE** and its vapors are **EXPLOSIVE**. **Do Not** permit smoking, open flames, sparks or heat in the vicinity while handling gasoline. Avoid spilling gasoline on a hot engine. Comply with all laws regulating storage and handling of gasoline.
- **Never** store generator with fuel in tank where gasoline vapors might reach an open flame or spark or pilot light (as on a furnace, water heater or clothes dryer). FIRE or EXPLOSION may result.
- **Never** add fuel while unit is running.
- **Never** start or stop the unit with electrical loads connected to receptacles AND with connected devices turned ON. Start the engine and let it stabilize before connecting electrical loads. Disconnect all electrical loads before shutting down the generator.
- **Do Not** insert any object through cooling slots of the engine-generator.

**NOTE:** Your generator is equipped with a spark arrester muffler. The spark arrester must be maintained in effective working order by the owner/operator. In the State of California, a spark arrester is required by law (Section 4442 of the California Public Resources Code). Other states may have similar laws. Federal laws apply on federal lands.

## KNOW YOUR GENERATOR

Read the owner's manual and safety rules before operating your generator.

Compare the illustrations with your generator to familiarize yourself with the locations of various controls and adjustments. Save this manual for future reference.



**12 Volt DC, 10 Amp Receptacle** — Charges a 12 Volt automotive type battery.

**120 Volt AC, 20 Amp Receptacle** — May be used to supply electrical power for the operation of 120 Volt AC, 20 Amp, single phase, 60 Hz electrical lighting, appliance, tool and motor loads.

**Air Cleaner** — Filters intake air as it is drawn into the engine.

**Circuit Breakers** — Each receptacle socket is protected against electrical overload with “push to reset” circuit breakers.

**Fuel Tank** — Tank holds 1 U.S. gallon of unleaded gasoline.

**Grounding Wing Nut** — Ground the generator to an approved earth ground here.

**Oil Fill Cap/Dipstick** — Check and fill engine with oil here. See page 6 for oil recommendations and filling instructions.

**Primer Button** — Used when starting a cold engine. See page 7 for starting instructions.

**Recoil Starter** — Used for starting the engine.

**Run/Stop Switch** — Set switch to “Run” prior to using recoil starter. Set switch to “Stop” to switch off engine.

**Spark Arrester Muffler** — Exhaust muffler lowers engine noise and is equipped with a spark arrester screen.

# ASSEMBLY

## TO REMOVE GENERATOR FROM CARTON

- Slice two corners at end of carton from top to bottom so the panel can be folded down flat, then remove all packing material.
- Remove the generator and contents from the shipping carton.

## CARTON CONTENTS

Check all contents against those listed below:

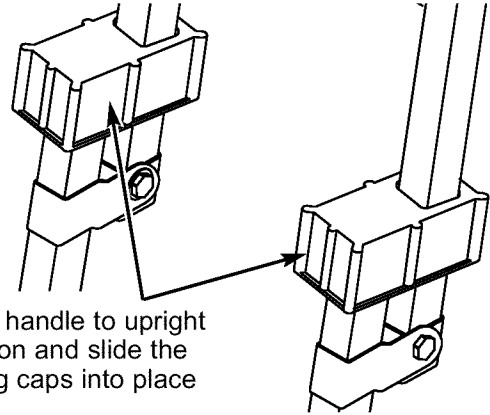
- Main unit
- Engine oil
- Owner's manual
- Battery charge cables

If any parts are missing or damaged, call the generator helpline at **1-800-222-3136**.

## ADJUST GUIDE HANDLE

Your generator is equipped with a wheel kit for easy maneuvering. After you remove the generator from the carton, adjust the guide handle. Use the following steps:

- Raise guide handle, secure in place.



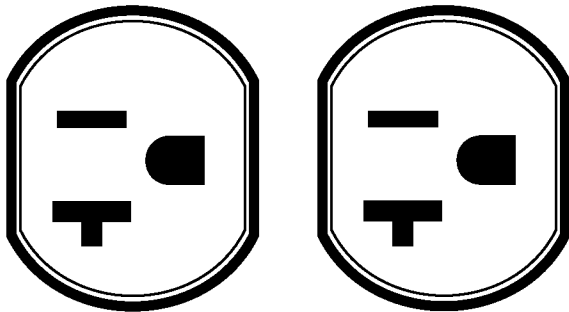
Lift the handle to upright position and slide the locking caps into place

# OPERATION

## CONNECTOR PLUGS AND CORD SETS

### 120 Volt AC, 20 Amp, Duplex Receptacles

Each duplex receptacle is protected against overload by a push-to-reset circuit breaker.

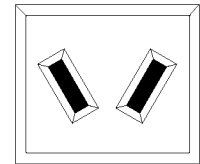


Use each receptacle to operate 120 Volt AC, single-phase, 60 Hz electrical loads requiring up to 2,400 watts (2.4 kW) at 20 Amps of current. Use cord sets that are rated for 125 Volt AC loads at 20 Amps (or greater).

**CAUTION!** Although each receptacle is rated for 120 Volts at 20 Amps (2,400 watts or 2.4 kW), the generator is rated for a total of 3,000 watts. Powering loads that exceed the wattage capacity of the generator can damage it or cause serious injuries. The total of loads powered through these receptacles should not exceed 20 Amps.

### 12 Volt DC Receptacle

This receptacle allows you to recharge a 12 Volt 10 Amp automotive or utility style storage battery with the battery charge cables provided. This receptacle can not recharge 6 Volt batteries and can not be used to crank an engine having a discharged battery. See the section "Charging a Battery" (page 7) before attempting to recharge a battery.



### 120 Volt Cord Sets

Use only high quality, well-insulated, extension cords with the generator's 120 Volt electrical receptacles.

Check the ratings of all extension cords before you use them. Such cords should be rated for 125 Volt AC loads at 20 Amps (or greater) for most electrical devices. Some devices, however, may not require this type of extension cord. Check the owner's manuals of those devices for their recommendations.

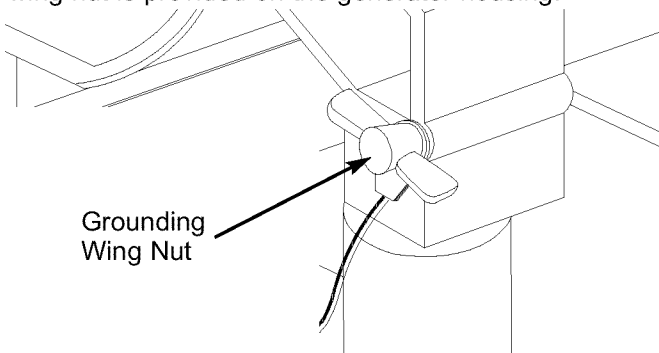
Keep extension cords as short as possible, preferably less than 15 feet long, to prevent voltage drop and possible overheating of wires.

## HOW TO USE YOUR GENERATOR

If you have any problems operating your generator after reading the manual, please call the generator helpline at 1-800-222-3136.

### Grounding The Generator

The National Electrical Code requires that the frame and external electrically conductive parts of this generator be properly connected to an approved earth ground. Local electrical codes may also require proper grounding of the unit. For that purpose, a grounding wing nut is provided on the generator housing.



Generally, connecting a No. 12 AWG (American Wire Gauge) stranded copper wire to the grounding wing nut and to an earth-driven copper or brass grounding rod (electrode) provides adequate protection against electrical shock. However, local codes vary widely. Consult with a local electrician for grounding requirements in your area.

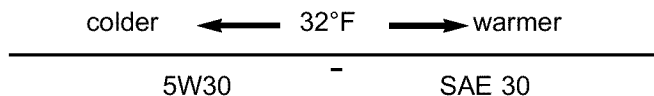
Proper grounding of generator will help prevent electrical shock in the event of a ground fault condition in the generator or in connected electrical devices. Proper grounding also helps dissipate static electricity, which often builds up in ungrounded devices.

## BEFORE STARTING THE GENERATOR

To operate the engine you will need to do the following:

### Add Engine Oil

**NOTE:** When adding oil to the engine crankcase in the future, use only high quality detergent oil rated with API service classification SF, SG, SH or SH/CD. Select the oils viscosity grade according to your expected operating temperature:



Although multi-viscosity oils (5W30, 10W30, etc.) improve starting in cold weather, these oils will result in increased oil consumption. Check your engine oil level more frequently to avoid possible damage from running low on oil.

- Clean area around oil fill.
- Remove oil fill cap and dipstick.
- Wipe dipstick clean, insert it into oil fill hole and tighten securely, remove dipstick. Add recommended oil up to "Full" mark on dipstick.
- Pour slowly. Wipe dipstick clean each time oil level is checked. **Do Not** overfill.
- Install oil fill plug and dipstick, tighten securely.

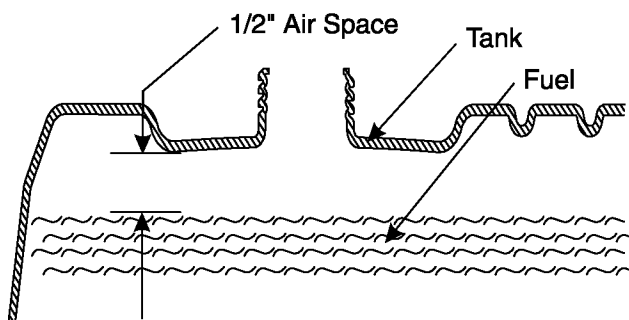
**NOTE:** Check oil often during engine break-in.

### Add Gasoline

**WARNING!** Never fill fuel tank indoors. Never fill fuel tank when engine is running or hot. Allow unit to cool for two minutes before refueling. **Do Not** light a cigarette or smoke when filling the fuel tank.

**WARNING!** Do Not overfill the fuel tank. Always leave room for expansion.

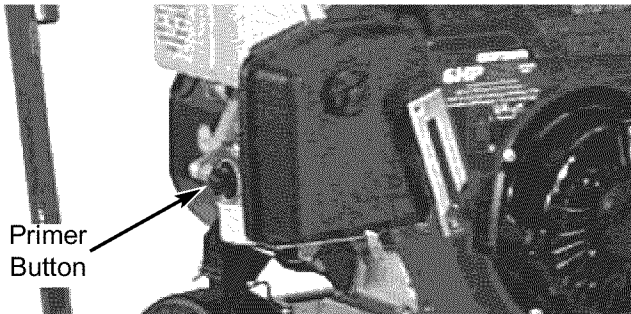
- Use regular UNLEADED gasoline with the generator engine. **Do Not** use premium gasoline. **Do Not** mix oil with gasoline.
- Clean area around fuel fill cap, remove cap.
- Slowly add unleaded regular gasoline to fuel tank. Be careful not to overfill. Allow about 1/2" of tank space for fuel expansion, as shown here.



- Install fuel cap and wipe up any spilled gasoline.

## To Start The Engine

- Unplug all electrical loads from the generator receptacles before starting the engine. **Never** start or stop the engine with electrical devices connected to the receptacles AND turned on.
- Be sure the spark plug wire is attached to the spark plug.
- Place the Run/Stop switch in the “**RUN**” position.
- Push the primer button 2 or 3 times. Wait about 2 seconds between each push. In cold weather (50°F/10°C or below) push 5 times.



**NOTE:** Primer may be needed to restart a warm engine after a short shutdown.

- Grasp starter grip and slowly pull the rope until you feel some resistance, then pull the cord out with a rapid full arm stroke. Let rope return slowly. **Do Not** let rope “snap back” against engine.

**NOTE:** If the engine fails to start after 3 pulls, push the primer button 2 times and pull the starter rope again.

**WARNING!** Never run engine in enclosed poorly ventilated areas. Engine exhaust contains carbon monoxide, an odorless and deadly gas.

**CAUTION!** Temperature of muffler and nearby areas may exceed 150°F (65°C). Avoid these areas.

## Connecting Electrical Loads

- Let the engine stabilize and warm up for a few minutes after starting.
- **Do Not** connect 240 Volt loads to 120 Volt receptacles.
- **Do Not** connect 3-phase loads to the generator.
- **Do Not** connect 50 Hz loads to the generator.
- Plug in and turn on the desired 120 Volt AC, single phase, 60 Hertz electrical loads.
- **DO NOT OVERLOAD THE GENERATOR.** Add up the rated watts (or amps) of all loads to be connected at one time. This total should not be greater than the rated wattage/ampere capacity of the generator. See “Don’t Overload the Generator” on page 9.

## Stopping the Engine

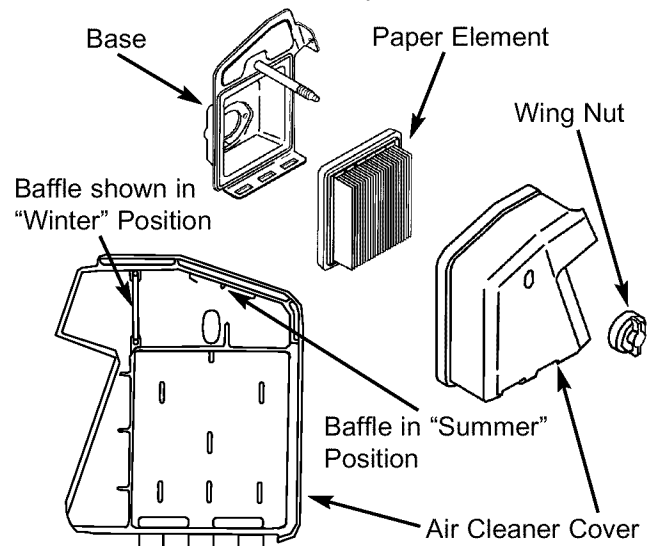
- Unplug all electrical loads from the unit. **Never** start or stop the engine with electrical devices plugged in and turned on.
- Let the engine run at no-load for two minutes to stabilize the units internal temperatures.
- Move the Run/Stop switch to “**STOP**” position.

## Cold Weather Operation

Your unit is equipped with an anti-icing air cleaner feature to enable the unit to run at temperatures below 32°F, without ice forming in the carburetor. The air cleaner base will have an opening which draws warm air from the muffler into the air cleaner housing. To work effectively, it is necessary to block cold air from entering the air cleaner.

### In temperatures 32°F and below:

- Remove wing nut from air cleaner cover.
- Remove air cleaner cover from base.
- Remove red baffle from inside of air cleaner cover.
- Insert red baffle in “winter” position as shown.



- Reinstall air cleaner cover onto base.
- Reinstall wing nut and tighten securely.

### In temperatures above 32°F:

- Follow above directions, removing baffle from “winter” position and reinstalling in “summer” position.

## Charging a Battery

**WARNING!** Storage batteries emit explosive gas while charging that remains around a battery for a long time after it has been charged. The slightest spark can ignite the gas, causing an explosion that can shatter the battery and cause blindness or other injury.

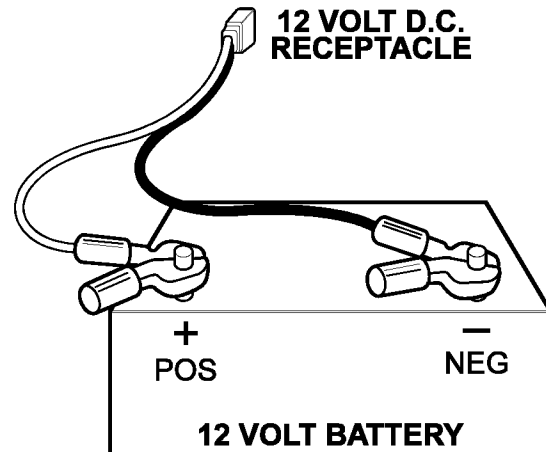
**WARNING! Do Not** permit smoking, open flame, sparks or any other source of heat around a battery. **Do Not** use a lighter or other flame for checking battery fluid levels. Wear protective goggles, rubber apron and rubber gloves when working around a battery. Battery electrolyte fluid is an extremely caustic sulfuric acid solution that can cause severe burns. **Do Not** permit fluid contact with eyes, skin, clothing, etc. If spill occurs, flush area with clear water immediately.

Your generator has the capability of recharging a discharged 12 Volt automotive or utility style storage battery. **Do Not** use the unit to charge any 6 Volt batteries. **Do Not** use the unit to crank an engine having a discharged battery.

### To recharge 12 Volt batteries, proceed as follows:

- If necessary, clean battery posts or terminals.
- Check fluid level in all battery cells. If necessary, add **ONLY** distilled water to cover separators in battery cells. **Do Not** use tap water.
- If the battery is equipped with vent caps, make sure they are installed and are tight.

- Connect battery charge cable connector plug to panel receptacle identified by the words "12 VOLT D.C."
- Connect battery charge cable clamp with **red** handle to battery post or terminal indicated by **POSITIVE, POS** or (+).



- Connect battery charge cable clamp with **black** handle to battery post or terminal indicated by **NEGATIVE, NEG**, or (-).
- Start engine. Let the engine run while battery recharges.
- When battery has charged, shut down engine (see "Stopping the Engine").

**NOTE:** Use an automotive hydrometer to test battery state of charge and condition. Follow the hydrometer manufacturer's instructions carefully. Generally, a battery is considered to be at 100% state of charge when specific gravity of its fluid (as measured by hydrometer) is 1.260 or higher.



## DON'T OVERLOAD THE GENERATOR

Overloading a generator in excess of its rated wattage capacity can result in damage to the generator and to connected electrical devices. Observe the following, to prevent overloading the unit:

- Add up the total wattage of all electrical devices to be connected at one time. This total should NOT be greater than the generator's wattage capacity.
- The rated wattage of lights can be taken from light bulbs. The rated wattage of tools, appliances and motors can usually be found on a data plate or decal affixed to the device.

- If the appliance, tool or motor does not give wattage, multiply volts times ampere rating to determine watts (volts x amps = watts).
- Some electric motors, such as induction types, require about three times more watts of power for starting than for running. This surge of power lasts only a few seconds when starting such motors. Make sure you allow for this high starting wattage when selecting electrical devices to connect to your generator. First, figure the watts needed to start the largest motor. Add to that figure the running watts of all other connected loads.

The Wattage Reference Guide provided here may assist you in determining generator load.

## WATTAGE REFERENCE GUIDE

### Recreational/Home Uses

<b>Tool/Appliance</b> . . . . .	<b>Watts</b>
AM/FM clock radio . . . . .	50
Light bulb . . . . .	100
Fan . . . . .	200
20" color TV . . . . .	400
*Deep freezer . . . . .	500
Personal computer and 15" monitor . . . . .	800
*1/3 hp furnace fan blower . . . . .	800
Microwave oven . . . . .	800
*18 cu ft refrigerator . . . . .	800
Sump pump . . . . .	1000
Electric skillet . . . . .	1250
*1/2 hp water well pump . . . . .	1400
*12,000 Btu window air conditioner . . . . .	1400
Space heater . . . . .	1800
Electric water heater . . . . .	4000

### Professional/Contractor Uses

<b>Tool/Appliance</b> . . . . .	<b>Watts</b>
*1/3 hp airless sprayer . . . . .	600
3/8" hammer drill . . . . .	600
Variable speed Sawzall® . . . . .	960
1/2" power drill . . . . .	1000
Quartz-halogen work light . . . . .	1000
Belt sander . . . . .	1200
7 1/4" circular saw . . . . .	1500
7 1/4" worm drive saw . . . . .	1600
*1 1/2 hp air compressor . . . . .	1800
*10" power miter saw . . . . .	1800
6" bench grinder . . . . .	1800
*6" table planer . . . . .	1800
*10" table/radial arm saw . . . . .	2000
Wire feed welder . . . . .	2400

\*=allow 3 times listed watts for starting surge

# MAINTENANCE

## MAINTENANCE SCHEDULE

Follow the hourly or calendar intervals, whichever occurs first.

More frequent service is required when operating in adverse conditions noted below.

Maintenance Operation	Every 5 Hours	20 Hours or Every Season	50 Hours or Every Season	100 Hours or Every Season
Check oil level	X			
Clean spark arrester screen		X*		
Change oil ‡			X	
Service air cleaner cartridge				X**
Replace spark plugs				X

‡ Change oil after first 2 hours of operation then after every 50 hours or every season.

\* Change oil every 25 hours when operating under heavy load or in high temperatures.

\*\* Clean more often under dirty or dusty conditions. Replace cleaner parts if very dirty.

## PRODUCT SPECIFICATIONS

### Generator Specifications

Rated Running Watts . . . . . 3,000 Watts (3.0kW)  
 Rated Surge Watts . . . . . 3,750 Watts (3.75kW)  
 Rated Voltage . . . . . 120 Volts AC  
 Rated Maximum Current  
 at 120 Volts . . . . . 25.0 Amperes  
 Rated Frequency . . . . . 60 Hz at 3600 rpm  
 Phase . . . . . Single Phase  
 Shipping Weight . . . . . 110 lbs.

### Engine Specifications

Rated Horsepower . . . . . 6.0 at 3600 rpm  
 Displacement . . . . . 195cc  
 Spark Plug Type: . . . . . Champion RN4C or  
 Equivalent  
 Set Gap To: . . . . . 0.030inch (0.76mm)  
 Gasoline Capacity . . . . . 1 U.S. gallon  
 Oil  
 Above 32°F . . . . . SAE 30 (10W-30)  
 Below 32°F . . . . . SAE 5W-20 or 5W-30

## GENERAL RECOMMENDATIONS

The generator warranty does not cover items that have been subjected to operator abuse or negligence. To receive full value from the warranty, operator must maintain generator as instructed in this manual.

Some adjustments will need to be made periodically to properly maintain your generator.

**NOTE:** The proper tire inflation operating range should be 15-40 PSI.

All adjustments in this section should be made at least once each season. Follow the requirements in the "Maintenance Schedule" chart shown above.

**NOTE:** Once a year you should clean or replace the spark plug and replace the air filter. A new spark plug and clean air filter assure proper fuel-air mixture and help your engine run better and last longer.

## GENERATOR MAINTENANCE

Generator maintenance consists of keeping the unit clean and dry. Operate and store the unit in a clean dry environment where it will not be exposed to excessive dust, dirt, moisture or any corrosive vapors. Cooling air slots in the generator must not become clogged with snow, leaves, or any other foreign material.

Check the cleanliness of the generator frequently and clean when dust, dirt, oil, moisture or other foreign substances are visible on its exterior surface.

**NOTE: Do Not** use a garden hose to clean generator. Water can enter the engine fuel system and cause problems. In addition, if water enters the generator through cooling air slots, some of the water will be retained in voids and cracks of the rotor and stator winding insulation. Water and dirt buildup on the generator internal windings will eventually decrease the insulation resistance of these windings.

## To Clean the Generator:

- Use a damp cloth to wipe exterior surfaces clean.
- A soft bristle brush may be used to loosen caked on dirt, oil, etc.

**CAUTION!** Never insert any object or tool through the air cooling slots, even if the engine is not running.

- A vacuum cleaner may be used to pick up loose dirt and debris.
- Low pressure air (not to exceed 25 psi) may be used to blow away dirt. Inspect cooling air slots and openings on the generator. These openings must be kept clean and unobstructed.

**CAUTION!** When working on the generator always disconnect spark plug wire from spark plug and keep it away from spark plug.

## ENGINE MAINTENANCE

### Checking Oil Level

Oil level should be checked prior to each use or at least every 5 hours of operation. Keep oil level maintained.

### Changing Engine Oil

Change the oil after the first 2 hours of operation. Change oil every 50 hours thereafter. If you are using your generator under extremely dirty or dusty conditions, or in extremely hot weather, change the oil more often.

Change the oil while the engine is still warm from running, as follows:

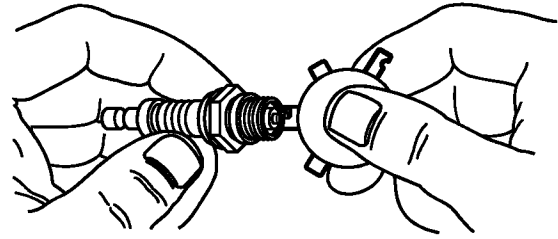
- Clean area around oil drain plug. The oil drain plug is located at the base of the engine, opposite the carburetor.
- Remove oil drain plug and drain oil completely into a suitable container.
- Install oil drain plug and tighten securely.
- Fill oil sump with recommended oil. See page 6 for oil recommendations.
- Install the oil cap/dipstick. Check oil level. Tighten cap securely.
- Wipe up any spilled oil.

### Clean/Replace Spark Plug

Change the spark plug every 100 hours of operation or once each year, whichever comes first. This will help your engine to start easier and run better.

- Clean the area around the spark plug.
- Remove and inspect the spark plug.
- Replace the spark plug if electrodes are pitted or burned or the porcelain is cracked. For replacement use Champion RN4C or equivalent.

- Check electrode gap with wire feeler gauge and set spark plug gap to 0.030 inch (0.76mm) if necessary.



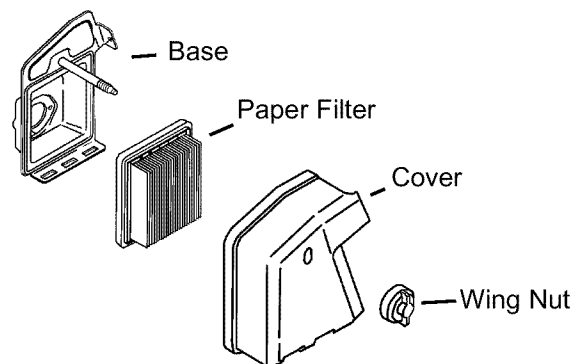
### Service Air Cleaner

Your engine will not run properly and may be damaged if you run it using a dirty air filter element.

Clean or replace the paper air filter element once every 100 hours of operation or once each season, whichever comes first. Clean or replace more often if operating under dusty or dirty conditions.

#### To clean or replace paper air filter:

- Remove the wing nut and air cleaner cover and remove the paper filter.



- Clean the inside of the base and cover thoroughly.
- Clean the paper filter by tapping it gently on a solid surface. If the filter is too dirty, replace it with a new one. Dispose of the old filter properly.

**NOTE:** If you need to order a new air filter element, please call **1-800-366-PART**.

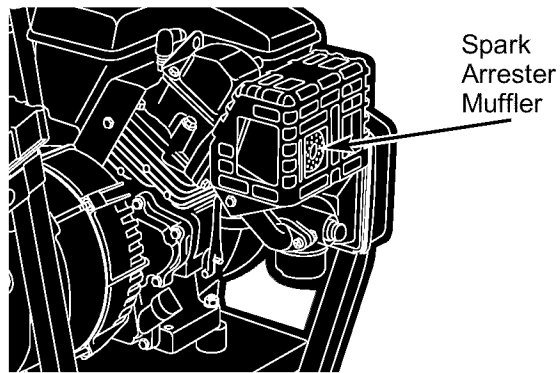
### Clean Spark Arrester Screen

The engine exhaust muffler has a spark arrester screen. Inspect and clean the screen every 20 hours of operation or once each year, whichever comes first.

**NOTE:** If you use your generator on any forest-covered, brush-covered or grass-covered unimproved land, it must have a spark arrester installed. The spark arrester must be maintained in good condition by the owner/operator.

Clean and inspect the spark arrester as follows:

- Remove the screw that attaches the spark arrester screen.
- Inspect the screen and replace if torn, perforated or otherwise damaged. **Do Not** use a defective screen. If screen is not damaged, clean it with commercial solvent.
- Reattach the screen.



## STORAGE

### GENERAL

The generator should be started at least once every seven days and allowed to run at least 30 minutes. If this cannot be done and you must store the unit for more than 30 days, use the following information as a guide to prepare it for storage.

### Long Term Storage Instructions



**WARNING!** Never store engine with fuel in tank indoors or in enclosed, poorly ventilated areas where fumes may reach an open flame, spark or pilot light as on a furnace, water heater, clothes dryer or other gas appliance.

It is important to prevent gum deposits from forming in essential fuel system parts such as the carburetor, fuel filter, fuel hose or tank during storage. Also, experience indicates that alcohol-blended fuels (called gasohol, ethanol or methanol) can attract moisture, which leads to separation and formation of acids during storage. Acidic gas can damage the fuel system of an engine while in storage.

To avoid engine problems, the fuel system should be emptied before storage of 30 days or longer. Follow these instructions:

### Protect Fuel System



**WARNING!** Drain fuel into approved container outdoors, away from open flame. Be sure engine is cool. **Do Not** smoke.

- Remove all gasoline from the fuel tank to prevent gum deposits from forming on these parts and causing possible engine malfunction.
- Run engine until engine stops from lack of fuel.

### Change Oil

While engine is still warm, drain oil from crankcase. Refill with recommended grade.

### Oil Cylinder Bore

- Remove spark plug and pour about 1 ounce (30ml) of clean engine oil into the cylinder.



**CAUTION!** Avoid spray from spark plug hole when cranking engine slowly.

- Cover spark plug hole with rag. Crank slowly to distribute oil.
- Install spark plug. **Do Not** connect spark plug wire.

### Generator

- Clean the generator as outlined on page 11 ("To Clean the Generator").
- Check that cooling air slots and openings on generator are open and unobstructed.

### Other Storage Tips

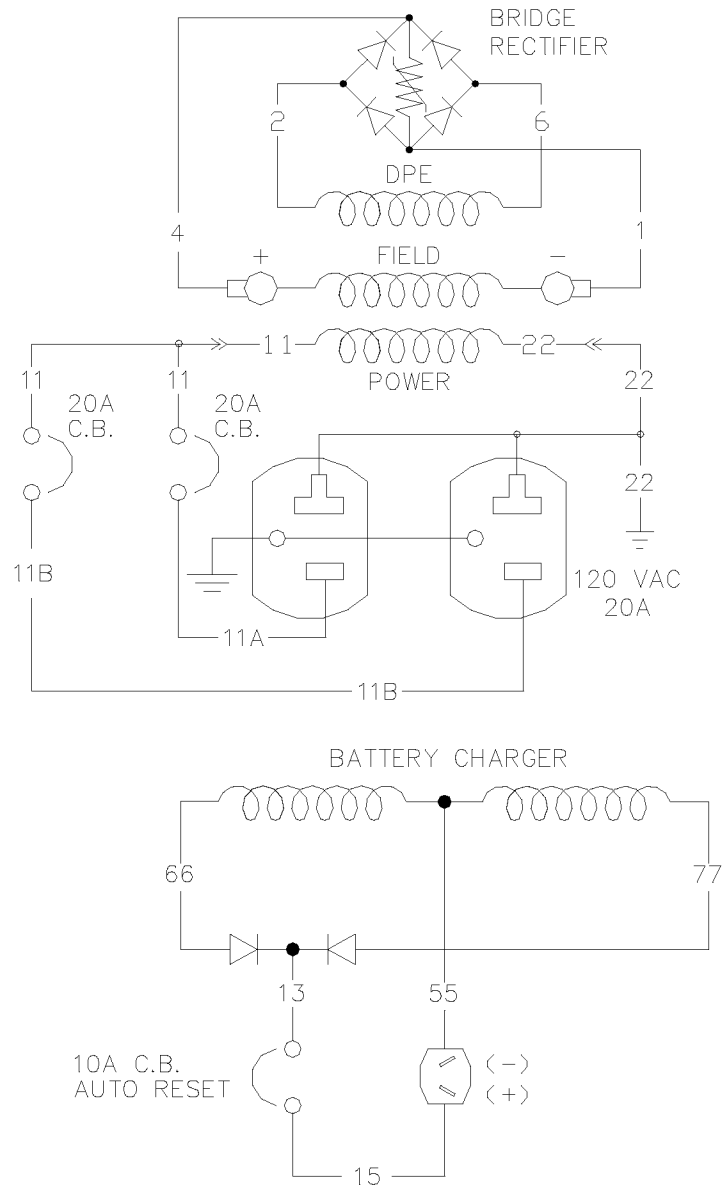
- **Do Not** store gasoline from one season to another.
- Replace your gasoline can if the can starts to rust. Rust and/or dirt in your gasoline will cause problems.
- If possible, store your unit indoors and cover it to give protection from dust and dirt. **BE SURE TO EMPTY THE FUEL TANK.**
- Cover your unit with a suitable protective cover that does not retain moisture.
- Store generator in clean, dry area.

**IMPORTANT:** Never cover your generator while engine and exhaust area are warm.

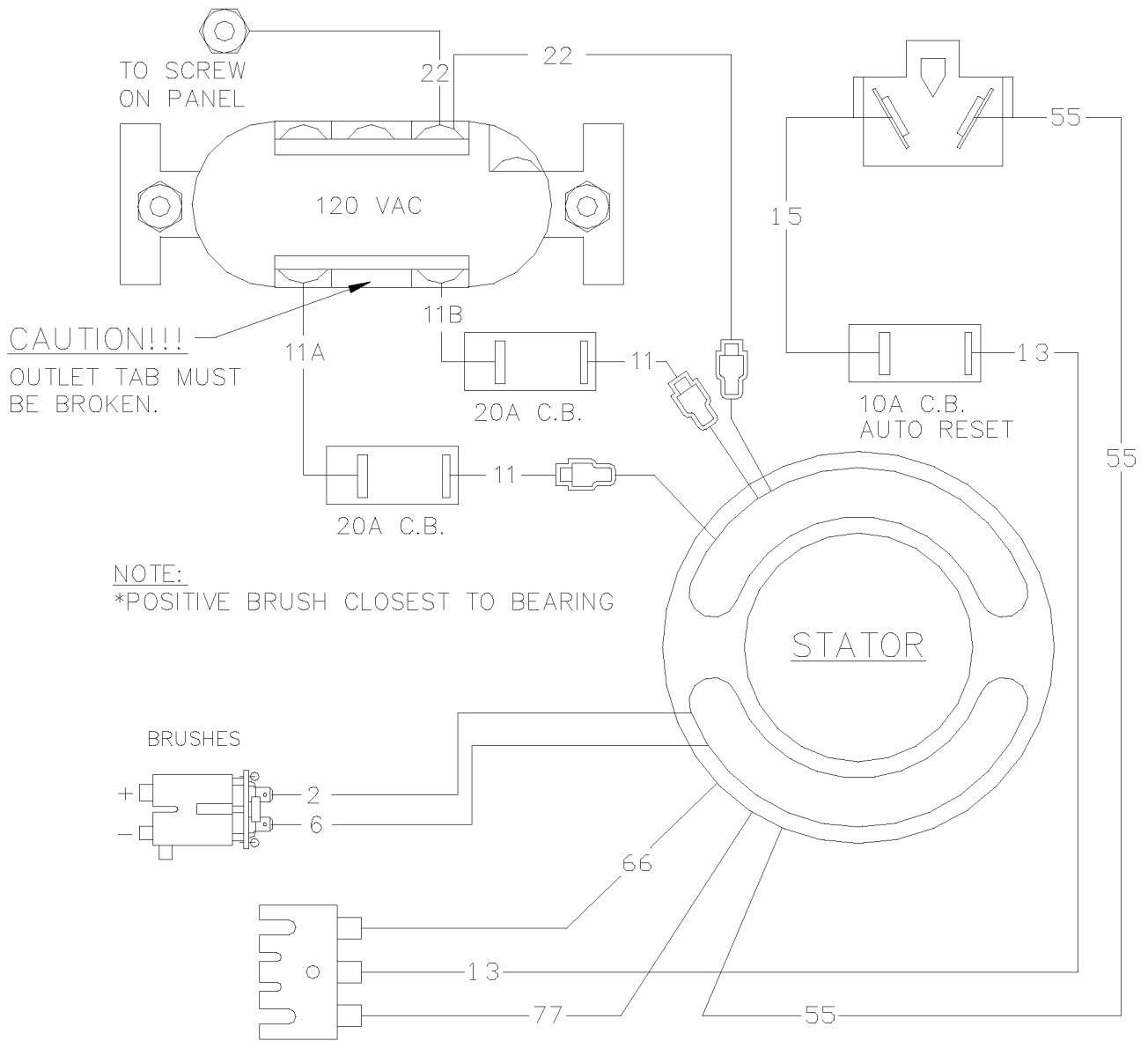
# TROUBLESHOOTING

Problem	Cause	Correction
<b>Engine is running, but no AC output is available.</b>	<ol style="list-style-type: none"> <li>1. One of the circuit breakers is open.</li> <li>2. Fault in generator.</li> <li>3. Poor connection or defective cord set.</li> <li>4. Connected device is bad.</li> </ol>	<ol style="list-style-type: none"> <li>1. Reset circuit breaker.</li> <li>2. Contact Sears service facility.</li> <li>3. Check and repair.</li> <li>4. Connect another device that is in good condition.</li> </ol>
<b>Engine runs good at no-load but "bogs down" when loads are connected.</b>	<ol style="list-style-type: none"> <li>1. Short circuit in a connected load.</li> <li>2. Engine speed is too slow.</li> <li>3. Generator is overloaded.</li> <li>4. Shorted generator circuit.</li> </ol>	<ol style="list-style-type: none"> <li>1. Disconnect shorted electrical load.</li> <li>2. Contact Sears service facility.</li> <li>3. See "Don't Overload the Generator" on page 9.</li> <li>4. Contact Sears service facility.</li> </ol>
<b>Engine will not start; or starts and runs rough.</b>	<ol style="list-style-type: none"> <li>1. Run/Stop Switch set to "<b>STOP</b>".</li> <li>2. Dirty air cleaner.</li> <li>3. Out of gasoline.</li> <li>4. Stale gasoline.</li> <li>5. Spark plug wire not connected to spark plug.</li> <li>6. Bad spark plug.</li> <li>7. Water in gasoline.</li> <li>8. Overprimed or flooded.</li> <li>9. Excessively rich fuel mixture.</li> <li>10. Intake valve stuck open or closed.</li> <li>11. Engine has lost compression.</li> </ol>	<ol style="list-style-type: none"> <li>1. Set switch to "<b>RUN</b>".</li> <li>2. Clean or replace air cleaner.</li> <li>3. Fill fuel tank.</li> <li>4. Drain gas tank and carburetor; fill with fresh fuel.</li> <li>5. Connect wire to spark plug.</li> <li>6. Replace spark plug.</li> <li>7. Drain gas tank and carburetor; fill with fresh fuel.</li> <li>8. Wait 5 minutes and re-crank engine.</li> <li>9. Contact Sears service facility.</li> <li>10. Contact Sears service facility.</li> <li>11. Contact Sears service facility.</li> </ol>
<b>Engine shuts down when running.</b>	<ol style="list-style-type: none"> <li>1. Out of gasoline.</li> </ol>	<ol style="list-style-type: none"> <li>1. Fill fuel tank.</li> </ol>
<b>Engine lacks power.</b>	<ol style="list-style-type: none"> <li>1. Load is too high.</li> <li>2. Dirty air filter.</li> </ol>	<ol style="list-style-type: none"> <li>1. See "Don't Overload the Generator" on page 9.</li> <li>2. Replace air filter.</li> </ol>
<b>Engine "hunts" or falters.</b>	Carburetor is running too rich or too lean.	Contact Sears service facility.

# SCHEMATIC DIAGRAM



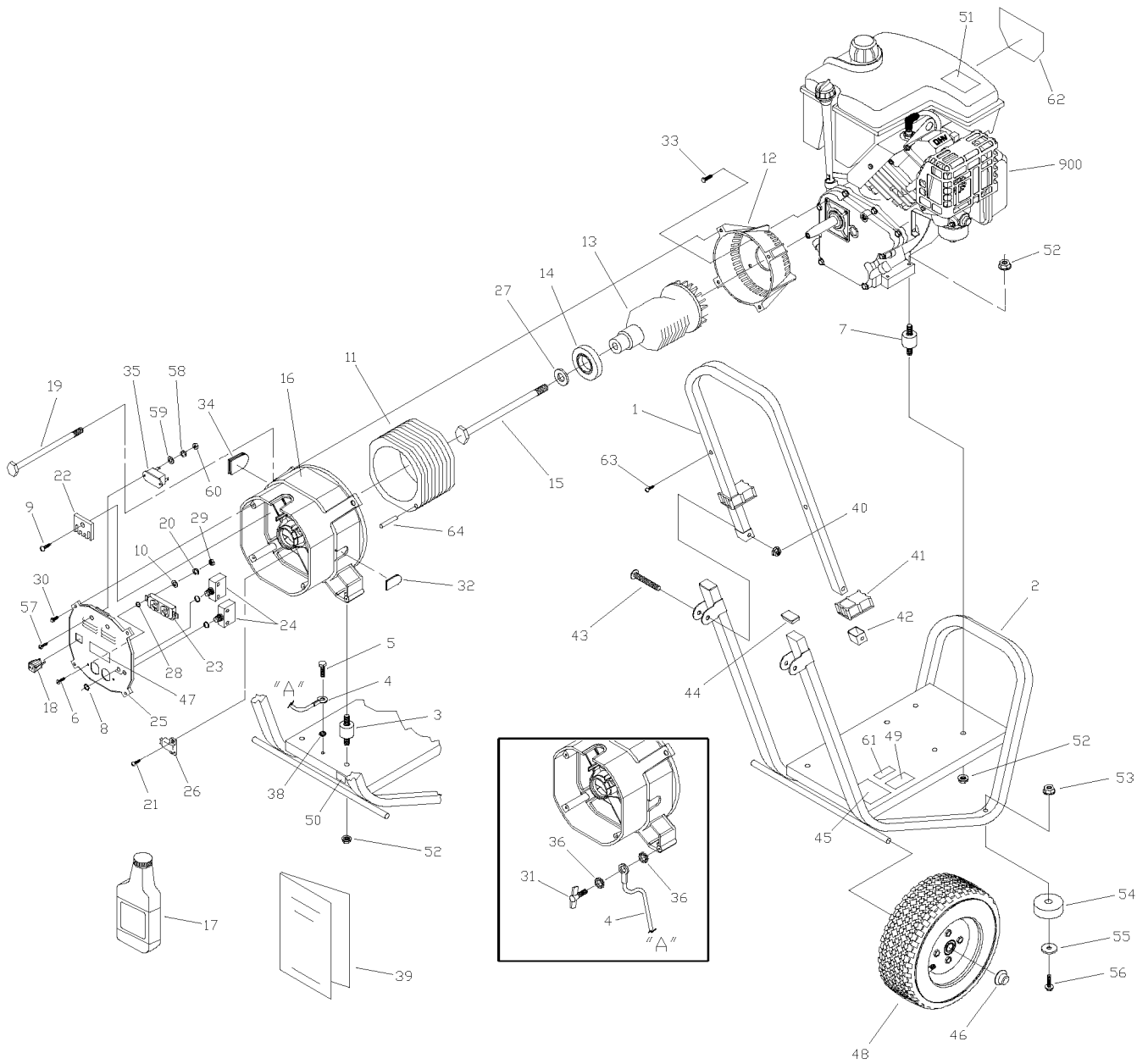
# WIRING DIAGRAM



# PARTS

## CRAFTSMAN 3000 Watt AC Generator 580.329120

### Main Unit — Exploded View





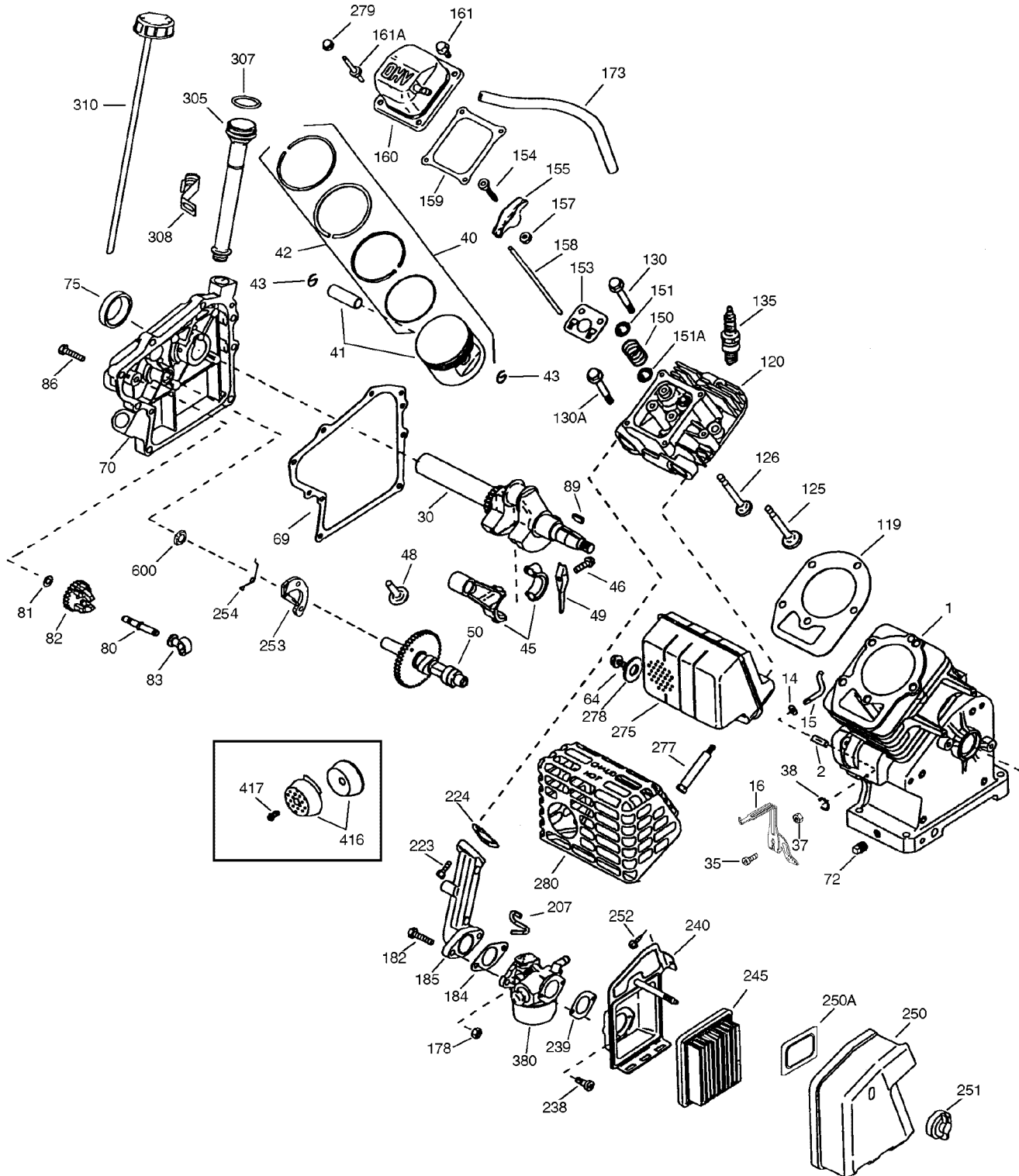
# CRAFTSMAN 3000 Watt AC Generator 580.329120

## Main Unit — Parts List

Item	Part #	Qty.	Description	Item	Part #	Qty.	Description
1	B187358	1	HANDLE	34	67022	1	GROMMET, Rubber
2	B186974	1	BASE	35	87962	1	BREAKER, Circuit, 10A 12Volt
3	85652	2	MOUNT, Vibration Alt.	36	26850	2	WASHER, M6 1/4 Shakeproof
4	14353621	1	WIRE, Ground	38	22769	1	WASHER, #10 Shakeproof
5	86292	1	CAPSCREW, Self Driller #10	39	186956	1	MANUAL, 3000, SRS
6	75475	2	SCREW, PHM M4 - 0.7 x 10	40	B2071	2	NUT, Locking Flange 1/4" x 20
7	85651	2	MOUNT, Vibration Engine	41	B1779	2	COVER, Hinge
8	99617	2	NUT, PAL 3/8" - 24	42	B2347	2	CAP, End of Tube
9	66849A	1	TAPTITE, M5 - 0.8 x 20	43	31669	2	CARRIAGE BOLT, 1/4"-20 x 1-3/4"
10	38150	2	WASHER, #8 Flat	44	46476	2	CAPLUG, 1 Sq. x 16 GA
11	186953A	1	ASSEMBLY, Stator	45	93639	1	DECAL, Danger (English)
12	66365-F	1	HOUSING, Engine Adapter	46	75402C	2	PUSHNUT, 5/8"
13	B2816J	1	ASSEMBLY, Rotor	47	B2415	1	DECAL, Control Panel
14	65791	1	BEARING, Ball	48	B4966	2	TIRE, Metal Hub 10"
15	47480	1	BOLT, Rotor 5/16" - 24 x 7"	49	96409	1	DECAL, 1-800 Number
16	66825B	1	CARRIER, Rear Bearing	50	B4986	1	DECAL, Ground
17	AB3061	1	BOTTLE, Oil, 20 oz, SRS	51	99541	1	DECAL, Start Instructions
18	90418	1	OUTLET, 12 VDC	52	67989	6	NUT, M8 Flanged Serrated
19	86308G	4	BOLT, Stator M6 1.00 x 100mm	53	52858	2	NUT, Locking M8 1.25"
20	22264	2	WASHER, No. 8 Lock	54	27007	2	VIB MOUNT, Donut Type
21	66849	2	SCREW, M5 - .80 x 16mm Taptite	55	50190	2	WASHER, Flat 10GA 3/4" x 1"
22	65795	1	RECTIFIER, Battery Charge	56	39287	2	HHCS, M8 1.25 x 45
23	68759	1	RECEPTACLE, 120V AC, 20A	57	43181	2	PHMS, M3 - 0.5 x 10
24	77247	2	BREAKER, Circuit - 20AMP	58	43182	2	WASHER, Lock, M3
25	187095	1	PANEL, Receptacle	59	52777	2	WASHER, Flat, M3
26	91825	1	RECTIFIER, Brush & Bridge	60	51714	2	NUT, M3 - 0.5
27	96796	1	WASHER, Flat (special)	61	B4901	1	DECAL, 1-800-4-MYHOME
28	23365	2	WASHER, Shakeproof No. 8	62	187137	1	DECAL, Unit
29	51715	2	NUT, M4 - 0.7 Hex	63	B2153	2	SCREW, Self Driller, #12-14 x 7/8
30	74908	4	SCREW, M5 0.80 x 10mm Taptite	64	81917	1	PIN, Roll M4 x 10
31	86494	1	SCREW, M6 - 1.0 x 16 Wing	900	NSP	1	ENGINE, Tecumseh 6HP
32	84242	2	GROMMET, Plastic RBC	<b>Parts Not Illustrated</b>			
33	86307	4	CAPSCREW, Hx Hd 5/16-24 x 3/4	65787	1	Battery Charge Cables	

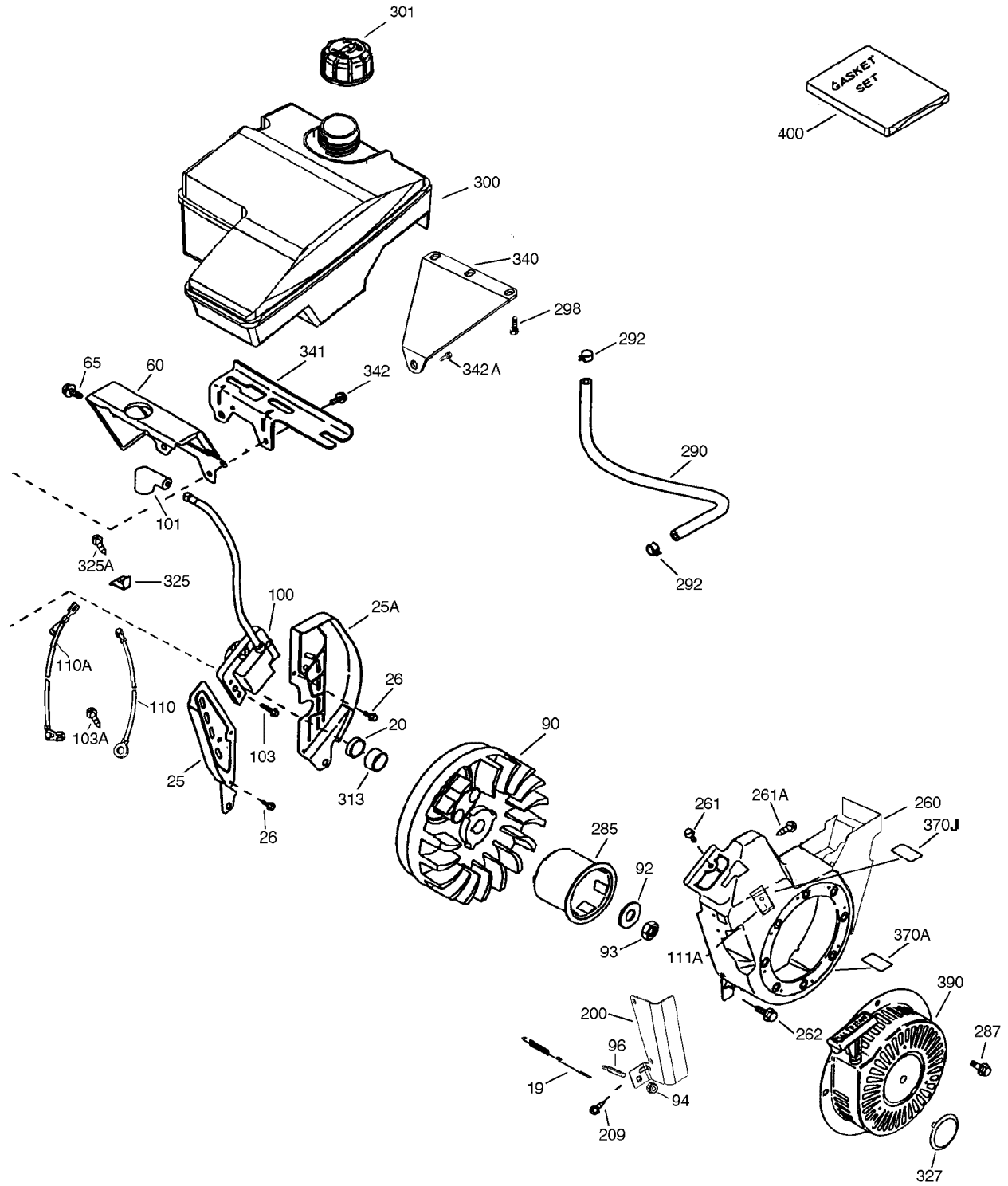
# CRAFTSMAN 4 Cycle Engine 143.016005

## Engine Exploded View



# CRAFTSMAN 4-Cycle Engine 143.016005

## Engine Exploded View

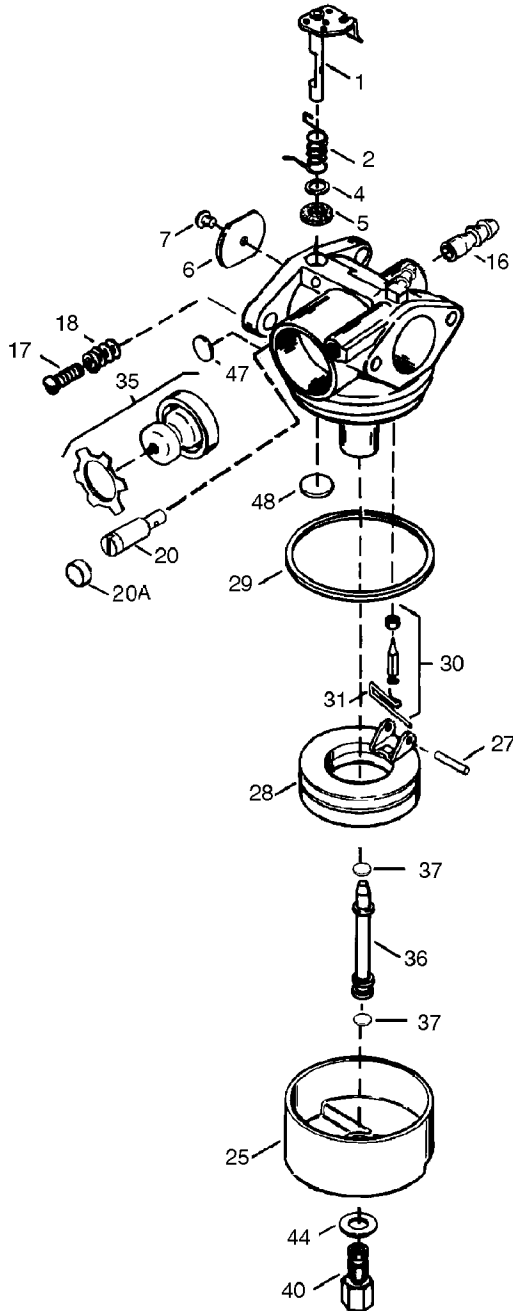


# CRAFTSMAN 4-Cycle Engine 143.016005

## Engine Parts List

Item	Part #	Qty.	Description	Item	Part #	Qty.	Description
1	37120B	1	Cylinder (Incl. 2, 20 & 72)	157	650914	2	Nut, 1/4-28
2	26727	2	Dowel Pin	158	36629	2	Push Rod
14	651052	1	Washer	159	35626	1	Rocker Arm Cover Gasket
15	37158	1	Governor Rod	160	36630A	1	Rocker Arm Cover
16	37162	1	Governor Lever	161	651008	2	Screw, 1/4-20 X 31/64"
19	37163	1	Extension Spring	161A	651012	2	Heat Shield Stud
20	32600	1	Oil Seal	173	36675A	1	Breather Tube
25	36621	1	Air Baffle (Left)	178	650852	2	Nut, 1/4-20
25A	36622	1	Air Baffle (Right)	182	650451	2	Screw, 1/4-20 x 1"
26	30200	2	Screw, 10-24 x 9/16"	184	26756	1	Carburetor To Intake Pipe Gasket
30	34745	1	Crankshaft	185	36631	1	Intake Pipe
35	651053	1	Screw, T-25, 10-32 x 63/64"	200	37123	1	Control Bracket
37	29216	1	Lock Nut, 10-32	207	36632	1	Throttle Link
38	37109	1	Retaining Ring	209	650821	2	Screw, 10-32 x 1/2"
40	40004	1	Piston, Pin & Ring Set (Std.)	223	650451	2	Screw, 1/4-20 x 1"
40	40005	1	Piston, Pin & Ring Set (.010" OS)	224	36581	1	Intake Pipe Gasket
41	36070	1	Piston & Pin Ass'y (Std.) (Incl. 43)	238	28820	2	Screw, 10-32 x 1/2"
41	36071	1	Piston & Pin Ass'y (.010" OS) (Incl. 43)	239	27272A	1	Air Cleaner Gasket
42	40006	1	Ring Set (Std.)	240	36633A	1	Air Cleaner Body (Incl. 239)
42	40007	1	Ring Set (.010" OS)	245	36046	1	Air Cleaner Filter
43	20381	2	Piston Pin Retaining Ring	250	37073	1	Air Cleaner Cover
45	32875A	1	Connecting Rod Ass'y (Incl. 46 & 49)	250A	37074	1	Air Cleaner Baffle
46	32610A	2	Connecting Rod Bolt	251	650886	1	Wing Nut
48	35616	2	Valve Lifter	252	650821	1	Screw, 10-32 x 1/2"
49	36611	1	Oil Dipper	253	36701	1	Compression Release Weight
50	37040	1	Camshaft (Incl. 253 & 254)	254	36702	1	Compression Release Spring
60	36623A	1	Blower Housing Extension	260	36992	1	Blower Housing
64	651015	1	Screw, 1/4-20 x 1-1/8"	261	651008	1	Screw, 1/4-20 x 31/64"
65	30200	1	Screw, 10-24 x 9/16"	261A	650821	2	Screw, 10-32 x 1/2"
69	36624	1	Cylinder Cover Gasket	262	651008	2	Screw, 1/4-20 x 31/64"
70	37159	1	Cylinder Cover (Incl. 75 thru 83)	275	36722	1	Muffler
72	27642	2	Oil Drain Plug	277	650988	2	Screw, 1/4-20 x 2-9/32"
75	28460	1	Oil Seal	278	36674	1	Spacer
80	37160	1	Governor Shaft	279	650852	1	Nut & Lock Washer
81	30590A	1	Washer	280	36893	1	Heat Shield
82	37161	1	Governor Gear Ass'y (Incl. 81)	285	35985B	1	Starter Cup
83	35322	1	Governor Spool	287	0	4	Rivet (Purchase locally)
86	650488	8	Screw, 1/4-20 x 1-1/4"	290	30705	1	Fuel Line
89	610961	1	Flywheel Key	292	26460	2	Fuel Line Clamp
90	611205	1	Flywheel	298	650665	2	Screw, 1/4-15 x 3/4"
92	650815	1	Belleville Washer	300	37002	1	Fuel Tank (Incl. 292 & 301)
93	650816	1	Flywheel Nut	301	36754	1	Fuel Cap (Black)
94	651016	1	Lock Nut, 10-32	305	36877	1	Oil Fill Tube
96	30845A	1	RPM Adjusting Bolt	307	35499	1	"O" Ring
100	34443B	1	Solid State Ignition	308	37079	1	Fill Tube Clip
101	610118	1	Spark Plug Cover	310	36878	1	Dipstick
103	651007	2	Screw, T-15, 10-24 x 15/16"	313	34080	1	Spacer
103A	650767	1	Screw, 8-32 x 27/64"	325	37471	1	Fuel Line Bracket
110	35589	1	Ground Wire	325A	30200	1	Screw, 10-24 X 9/16"
110A	36964	1	Ground Wire	327	35392	1	Starter Plug
111A	611224	1	Rocker Switch	340	37071	1	Fuel Tank Bracket
119	36719	1	Cylinder Head Gasket	341	36644	1	Fuel Tank Bracket
120	36721	1	Cylinder Head	342	651010	2	Screw, 1/4-20 x 7/8"
125	36471	1	Exhaust Valve (Std.) (Incl. 151)	342A	650738	1	Screw, 1/4-20 x 5/8"
125	36472	1	Exhaust Valve (1/32" OS) (Incl. 151)	370A	36261	1	Identification Decal
126	29314C	1	Intake Valve (Std.) (Incl. 151)	370J	37325	1	Rocker Switch Decal
130	650912	4	Screw, 5/16-18 x 1-1/2"	380	640135A	1	Carburetor (Incl. 184)
130A	650999	1	Screw, 5/16-18 x 2-41/64"	390	590748	1	Recoil Starter
135	34645	1	Resistor Spark Plug (RN4C)	400	36720	1	Gasket Set (Incl. 1 each 26756, 27272A, 39673, 35626, 36581, 36624, 36719) This is a replacement kit, not included in purchase.
150	37039	2	Valve Spring				
151	31673	2	Valve Spring Cap				
151A	40016A	1	Intake Valve Seal	416	36085	1	Spark Arrestor Kit (Incl. 417)
153	36649	1	Push Rod Guide	417	650983	1	Screw, 8-32 x 17/32"
154	650913	2	Rocker Arm Stud	600	651013	1	Washer
155	35624A	2	Rocker Arm				

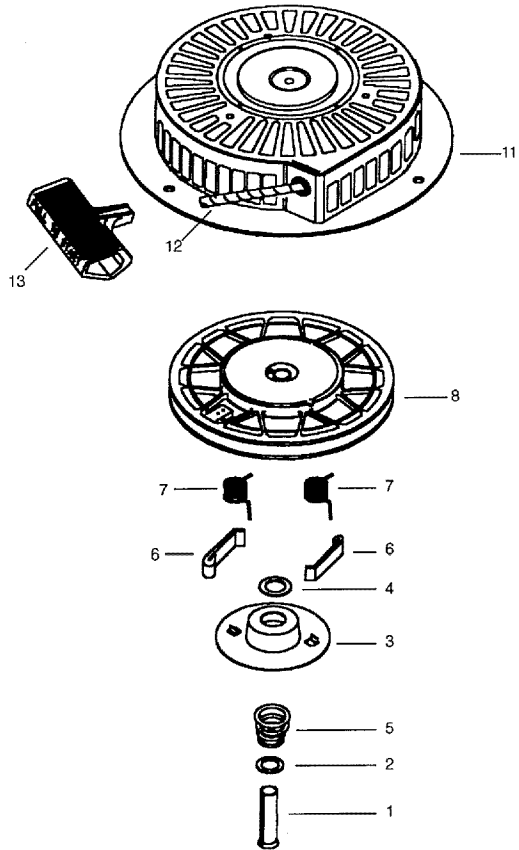
**CRAFTSMAN 4-Cycle Engine 143.016005**  
**Carburetor Exploded View and Parts List**



Item	Part #	Qty.	Description
0	640135A	1	Carburetor
1	632762	1	Throttle Shaft & Lever Assembly
2	632763	1	Throttle Return Spring
4	631184	1	Dust Seal Washer
5	631183	1	Dust Seal (Throttle)
6	631036	1	Throttle Shutter
7	650506	1	Shutter Screw
16	632164	1	Fuel Fitting
17	651025	1	Throttle Crack Screw/Idle Speed Screw
18	630766	1	Tension Spring
20	640018	1	Idle Restrictor Screw
20A	640053	1	Idle Restrictor Screw Cap
25	631867	1	Float Bowl
27	631024	1	Float Shaft
28	632019	1	Float
29	631028	1	Float Bowl "O" Ring
30	631021	1	Inlet Needle, Seat, & Clip
31	631022	1	Spring Clip
35	36045A	1	Primer Bulb/Retainer Ring
36	640019	1	Main Nozzle Tube
37	632547	2	"O" Ring, Main Nozzle Tube
40	640015	1	High Speed Bowl Nut
44	27110A	1	Bowl Nut Washer
47	630748	1	Welch Plug, Idle Mixture Well
48	631027	1	Welch Plug, Atmospheric Vent

0

**CRAFTSMAN 4-Cycle Engine 143.016005**  
**Recoil Starter Exploded View and Parts List**



Item	Part #	Qty.	Description
0	590748	1	Recoil Starter
1	590599A	1	Spring Pin (Incl. 4)
2	590600	1	Washer
3	590679	1	Retainer
4	590601	1	Washer
5	590678	1	Brake Spring
6	590680	2	Starter Dog
7	590412	2	Dog Spring
8	590681	1	Pulley & Rewind Spring Assembly
11	590747	1	Starter Housing Assembly
12	590535	1	Starter Rope (Length 98" x 9/64" dia.)
13	590701	1	Starter Handle

0



# EMISSION CONTROL SYSTEM WARRANTY

## CALIFORNIA & US EPA EMISSION CONTROL WARRANTY STATEMENT

The U.S. Environmental Protection Agency ("EPA"), the California Air Resources Board ("CARB") and Tecumseh Products Co. are pleased to explain the Federal and California Emission Control Systems Warranty on your new small off-road engine. In California, new model year 2000 and later small off-road engines must be designed, built and equipped to meet the State's stringent anti-smog standards. In other states, new model year 1997 and later small off-road engines must be designed, built and equipped, at the time of sale, to meet U.S. EPA regulations. Tecumseh Products Co. will warrant the emission control system on your small off-road engine for the time periods listed below, provided there has been no abuse, neglect, unapproved modification, or improper maintenance of your small off-road engine.

Your emission control system may include parts such as the carburetor, ignition system and exhaust system. Also included may be the compression release system and other emission-related assemblies.

Where a warrantable condition exists, Tecumseh Products Co. will repair your small off-road engine at no cost to you for diagnosis, parts and labor.

### Manufacturer's Emission Control System Warranty Coverage

Emission control systems on model year 2000 and later California small off-road engines are warranted for two years as hereinafter noted. In other states, model year 1997 and later small off-road engines are also warranted for two years. If during such warranty period, any emission-related part on your engine is defective in materials or workmanship, the part will be repaired or replaced by Tecumseh Products Co.

### Owner's Warranty Responsibilities

As the small off-road engine owner, you are responsible for the performance of the required maintenance listed in your Operating/Maintenance Instructions, but Tecumseh Products Co. will not deny warranty solely due to the lack of receipts or for your failure to provide written evidence of the performance of all scheduled maintenance.

As the small off-road engine owner, you should, however, be aware that Tecumseh Products Co. may deny you warranty coverage if your small off-road engine or a part thereof has failed due to abuse, neglect, improper maintenance or unapproved modifications.

You are responsible for presenting your small off-road engine to a Tecumseh Authorized Service Outlet (any Tecumseh Registered Service Dealer, Tecumseh Authorized Service Distributor or Tecumseh Central Warehouse Distributor) as soon as a problem exists. The warranty repairs should be completed in a reasonable amount of time, not to exceed 30 days.

Warranty Service can be arranged by contacting either a Tecumseh Authorized Service Outlet or by contacting Tecumseh Products Co., c/o Service Manager, Engine and Transmission Group Service Division, 900 North Street, Grafton, WI 53024-1499. Telephone 1-262-377-2700, or see your local telephone yellow pages under "Engines, Gasoline" for the name, address and telephone number of a Tecumseh Authorized Service Outlet near you.

### Important Note

This warranty statement explains your rights and obligations under the Emission Control Warranty ("ECS Warranty") which is provided to you by Tecumseh Products Co. pursuant to California law. Tecumseh Products Co. also provides to the original purchasers of new Tecumseh Products Co. engines the Tecumseh Products Co. Limited Warranties for New Tecumseh Engine and Electronic Ignition Modules ("Tecumseh Products Co. Warranty") which is enclosed with all new Tecumseh Products Co. engines on a separate sheet. The ECS warranty applies only to the emission control system of your new engine. To the extent that there is any conflict in terms between the ECS Warranty and the Tecumseh Products Co. Warranty, the ECS Warranty shall apply except in any circumstances in which the Tecumseh Products Co. Warranty may provide a longer warranty period. Both the ECS Warranty and the Tecumseh Products Co. Warranty describe important rights and obligations with respect to your engine.

Warranty service can only be performed by a Tecumseh Products Co. Authorized Service Outlet, or by Tecumseh Products Co. at its factory in Grafton, WI. At the time of requesting warranty service, evidence must be presented of the date of sale to the original purchaser. The purchaser shall pay any charges for making service calls and/or for transporting the products to and from the place where the inspection and/or warranty work is performed. The purchaser shall be responsible for any damage or loss incurred in connection with the transportation of any engine or any part(s) thereof submitted for inspection and/or warranty work.

If you have any questions regarding your warranty rights and responsibilities, you should contact Tecumseh Products Co. at 1-262-377-2700.

## EMISSION CONTROL SYSTEM WARRANTY

Emission Control System Warranty ("ECS Warranty") for model year 2000 and later California small off-road engines (for other states, model year 1997 and later small off-road engines):

**A. Applicability:** This warranty shall apply to model year 2000 and later California small off-road engines (for other states, model year 1997 and later small off-road engines.) The ECS Warranty Period shall begin on the date the new engine or equipment is delivered to its original, end-use purchaser, and shall continue for 24 consecutive months thereafter.



**B. General Emissions Warranty Coverage:** Tecumseh Products Co. warrants to the original, end-use purchaser of the new engine or equipment and to each subsequent purchaser that each of its small off-road engines is:

1. Designed, built and equipped so as to conform with all applicable regulations by the Air Resources Board pursuant to its authority in Chapters 1 and 2, Part 5, Division 26 of the Health and Safety Code, and
2. Free from defects in materials and workmanship which, at any time during the ECS Warranty period, will cause a warranted emissions-related part to fail to be identical in all materials respects to the part as described in the engine manufacturer's application for certification.

C. The ECS Warranty only pertains to emissions-related parts on your engine, as follows:

1. Any warranted, emissions-related parts which are not scheduled for replacement as required maintenance in the Operation/Maintenance Instructions shall be warranted for the ECS Warranty Period. If any such part fails during the ECS Warranty Period, it shall be repaired or replaced by Tecumseh Products Co. according to Subsection 4 below. Any such part repaired or replaced under the ECS Warranty shall be warranted for any remainder of the ECS Warranty Period.
2. Any warranted, emissions-related part which is scheduled only for regular inspection as specified in the Operation/Maintenance Instructions shall be warranted for the ECS Warranty Period. A statement in such written instructions to the effect of "repair or replace as necessary," shall not reduce the ECS Warranty Period. Any such part repaired or replaced under the ECS Warranty shall be warranted for the remainder of the ECS Warranty Period.
3. Any warranted, emissions-related part which is scheduled for replacement as required maintenance in the Operation/Maintenance Instructions, shall be warranted for the period of time prior to the first scheduled replacement point for that part. If the part fails prior to the first scheduled replacement, the part shall be repaired or replaced by Tecumseh Products Co. according to Subsection 4 below. Any such emissions-related part repaired or replaced under the ECS Warranty, shall be warranted for the remainder of the ECS Warranty period prior to the first scheduled replacement point for such emissions-related part.
4. Repair or replacement of any warranted, emissions related part under this ECS Warranty shall be performed at no charge at a Tecumseh Authorized Service Outlet.

5. The owner shall not be charged for diagnostic labor which leads to the determination that a part covered by the ECS Warranty is in fact defective, provided that such diagnostic work is performed at a Tecumseh Authorized Service Outlet.
6. Tecumseh Products Co. shall be liable for damages to other original engine components or approved modifications proximately caused by a failure under warranty of an emission-related part covered by the ECS warranty.
7. Throughout the ECS Warranty Period, Tecumseh Products Co. shall maintain a supply of warranted emission-related parts sufficient to meet the expected demand for such emission-related parts.
8. Any Tecumseh Products Co. authorized or approved emission-related replacement part may be used in the performance of any ECS Warranty maintenance or repair and will be provided without charge to the owner. Such use shall not reduce Tecumseh Products Co. ECS Warranty obligations.
9. Unapproved add-on or modified parts may not be used to modify or repair a Tecumseh Products Co. engine. Such use voids this ECS Warranty shall be sufficient grounds for disallowing an ECS Warranty Claim. Tecumseh Products Co. shall not be liable hereunder for failures of any warranted parts of a Tecumseh Products Co. engine caused by the use of such an unapproved add-on or modified part.

**EMISSION-RELATED PARTS INCLUDE THE FOLLOWING:**

1. Carburetor Assembly and its Internal Components.
  - a) Fuel filter
  - b) Carburetor gaskets
  - c) Intake pipe
2. Air Cleaner Assembly
  - a) Air Cleaner Element
3. Ignition System, including:
  - a) Spark plug
  - b) Ignition module
  - c) Flywheel assembly
4. Catalytic Muffler (if so equipped)
  - a) Muffler gasket (if so equipped)
  - b) Exhaust manifold (if so equipped)
5. Crankcase Breather Assembly and its Components
  - a) Breather connection tube

# TABLA DE CONTENIDOS

GARANTIA .....	26	ALMACENAMIENTO .....	36
REGLAS DE SEGURIDAD .....	27	REPARACION DE AVERIAS .....	37
MONTAJE .....	29	GARANTIA DEL SISTEMA DE CONTROL	
FUNCIONAMIENTO .....	29-33	DE EMISIONES .....	38-39
MANTENIMIENTO .....	34-36	COMO ORDENAR PARTES .....	ULTIMA PAGINA
ESPECIFICACIONES .....	34		

## GARANTIA

### GARANTIA LIMITADA GENERADORES CRAFTSMAN

SEARS le garantiza al comprador original que el alternador y el motor de su generador portátil estará libre de defectos en materiales y mano de obra en los componentes y por el período de tiempo establecido a continuación a partir de la fecha de compra original. Esta garantía no es transferible.

	CLIENTE*	COMERCIAL*
Alternador	1 año	90 Días
Motor	1 año	90 Días

**\* NOTA: Para propósitos de esta garantía el término "Uso del Cliente" representa el uso doméstico residencial y de emergencia por parte del comprador original, sin incluir aplicaciones donde la unidad sea usada como fuente de potencia principal. El término "Uso Comercial" representa todos los otros usos, incluyendo alquiler, construcción, comercial y para propósitos lucrativos. Una vez el generador haya tenido uso comercial, éste será considerado como un generador para uso comercial para los fines de esta garantía.**

Durante dicho período de garantía, SEARS reparará o reemplazará, a su discreción, cualquier parte que haya sido encontrada defectuosa, en examen previo realizado por SEARS, bajo uso y servicio normal\*\*. Las baterías de arranque y los elementos perecederos como bujías y filtros de aire, que se desgastan con el uso normal, no están garantizados por SEARS. Todos los costos de transporte bajo garantía, incluyendo el envío a la fábrica, de ser necesario, serán responsabilidad del comprador y deberán ser pagados por anticipado. Esta garantía no cubre el mantenimiento y servicio normal y no se aplica a generadores, alternadores, motores o partes que hayan sido sujetos a instalaciones o modificaciones incorrectas o no autorizadas, mal uso, negligencia, accidente, sobrecarga, exceso de velocidad, mantenimiento, reparación o almacenamiento incorrecto que, a juicio de SEARS, afecte negativamente su funcionamiento y confiabilidad.

**\*\* DESGASTE NORMAL: Como con todos los dispositivos mecánicos, los motores necesitan el servicio y reemplazo periódico de las partes para funcionar en buenas condiciones. Esta garantía no cubre reparaciones cuando el uso normal haya sobrepasado la vida útil de una parte o motor.**

NO EXISTEN OTRAS GARANTIAS EXPRESAS. SEARS POR MEDIO DE LA PRESENTE DESCONOCE TODAS LAS GARANTIAS IMPLICITAS, INCLUYENDO, SIN LIMITARSE, A AQUELLAS DE COMERCIALIZACION Y ADAPTACION PARA UN PROPOSITO PARTICULAR AL EXTREMO PERMITIDO POR LA LEY. LA DURACION DE CUALQUIER GARANTIA IMPLICITA QUE NO PUEDA SER DESCONOCIDA, ESTA LIMITADA AL PERIODO DE TIEMPO ESPECIFICADO EN LA GARANTIA EXPRESA. LA RESPONSABILIDAD LEGAL ES EXCLUIDA POR DAÑOS CONSECUENCIALES, INCIDENTALES O ESPECIALES BAJO CUALQUIERA DE LAS GARANTIAS.

Algunos estados no permiten limitaciones en la duración de las garantías implícitas, o la exclusión o limitación de daños incidentales o consecuenciales, por tanto las limitaciones o exclusiones anteriormente mencionadas podrían no aplicarse a usted. Esta garantía le otorga derechos legales específicos; usted podría tener otros derechos, los cuales cambian de estado a estado.


Para servicio, visite su centro de servicio de garantía autorizado SEARS más cercano. El servicio de garantía puede ser llevado a cabo únicamente por un centro de servicio autorizado SEARS. Esta garantía no se podrá aplicar para servicio en otros centros de servicio. Evidencia de la fecha de compra original deberá ser presentada en el momento de solicitar el servicio de garantía.


**SEARS, ROEBUCK AND CO., Department 817WA, Hoffman Estates, IL 60179**


# REGLAS DE SEGURIDAD


## **ADVERTENCIA:**

El escape del motor de este producto contiene elementos químicos, los cuales son reconocidos en el Estado de California por producir cáncer, defectos de nacimiento u otros daños de tipo reproductivo.

 **¡PRECAUCION!** Lea este manual y siga todas las Reglas de Seguridad e Instrucciones de Operación antes de usar este producto.

 **¡ADVERTENCIA!** Si esta unidad se usa para energía de refuerzo, usted debe aislar el generador de cualquier utilidad eléctrica usando un equipo de transferencia aprobado. **Si no se aísla de la manera adecuada, puede resultar en un accidente e inclusive la muerte para los electricistas que trabajen allí y por lo tanto, daño al generador** debido a la retroalimentación de energía eléctrica. En todo momento que la unidad esté proveyendo energía de refuerzo, la compañía eléctrica de utilidades debe ser notificada.

 **¡PELIGRO!** Los gases provenientes del generador contienen monóxido de carbono, el cual puede causar la MUERTE. Si se respira en concentraciones suficientes, el monóxido de carbono puede hacer que la persona quede inconsciente o aún pierda la vida. Opere este equipo al aire libre donde haya bastante ventilación.

 **¡PRECAUCION!** Siempre desconecte el alambre de la bujía y colóquelo donde **no** pueda entrar en contacto con la bujía, para evitar el arranque accidental durante la instalación, transporte, ajuste o reparación de su generador.

- El motor-generador requiere de un flujo adecuado de aire de enfriamiento para que funcione continua y correctamente. **Nunca** opere esta unidad dentro de un salón o recinto cerrado donde el flujo libre de aire de enfriamiento, hacia el interior y la parte externa de la unidad, pueda ser obstruido. Sin suficiente flujo de aire de enfriamiento, la unidad se recalienta rápidamente, dañando el generador o la propiedad alrededor.
- El generador produce un voltaje muy alto, el cual puede ocasionar descargas eléctricas extremadamente peligrosas. Evite el contacto con terminales, alambres pelados o sin recubrimiento, etc. **Nunca** permita que personas no calificadas operen o proporcionen servicio al generador.
- **No** llene el tanque de combustible excesivamente. Siempre permita que exista espacio para la expansión del combustible. Si el tanque está demasiado lleno, el

combustible podría rebosarse y caer sobre el motor caliente y ocasionar un INCENDIO o una EXPLOSION.

- **Nunca opere el generador:** en la lluvia; en espacios encerrados; si la velocidad del motor varía; si se recalientan los dispositivos eléctricos conectados; si se pierde la salida eléctrica; si se presentan chispas en el motor o generador; si se observan llamas o humo cuando la unidad está funcionando; si la unidad vibra demasiado.
- **Nunca** manipule dispositivos o cordones eléctricos cuando se encuentre parado en agua, descalzo o con los pies o las manos mojadas.
- Use un interruptor de circuito de falla a tierra en áreas húmedas o de alta conductividad (como en pisos metálicos o estructuras de acero).
- **No** utilice en el generador juegos de cordones eléctricos que estén desgastados, pelados, raídos o dañados de cualquier manera. El uso de un cordón defectuoso puede resultar en descarga eléctrica o daño del equipo y/o la propiedad.
- Opere el generador sólo en superficies planas y en donde no será expuesto a la humedad excesiva, la tierra, el polvo ni vapores corrosivos.
- La gasolina es altamente INFLAMABLE y sus vapores son EXPLOSIVOS. **No** permita que fumen, que existan llamas abiertas, chispas o calor a su alrededor cuando manipule gasolina. Evite regar gasolina sobre un motor caliente. Cumpla con todas las leyes que regulan el almacenamiento y el manejo de gasolina.
- **Nunca** almacene el generador con combustible en el tanque, donde los vapores de la gasolina puedan entrar en contacto con llamas abiertas, chispas o luces de piloto (como en hornos, calentadores de agua o secadoras de ropa). Podrían ocurrir INCENDIOS o EXPLOSIONES.
- **Nunca** agregue el combustible mientras la unidad corre.
- **Nunca** arranque o detenga el motor-generador cuando tenga cargas eléctricas conectadas a los tomacorrientes y los dispositivos conectados estén ENCENDIDOS. Arranque el motor y permita que se establezca antes de conectar las cargas eléctricas. Desconecte todas las cargas eléctricas antes de apagar el generador.
- **No** meta objetivo por la refrigeración ranuras del generador de motor.

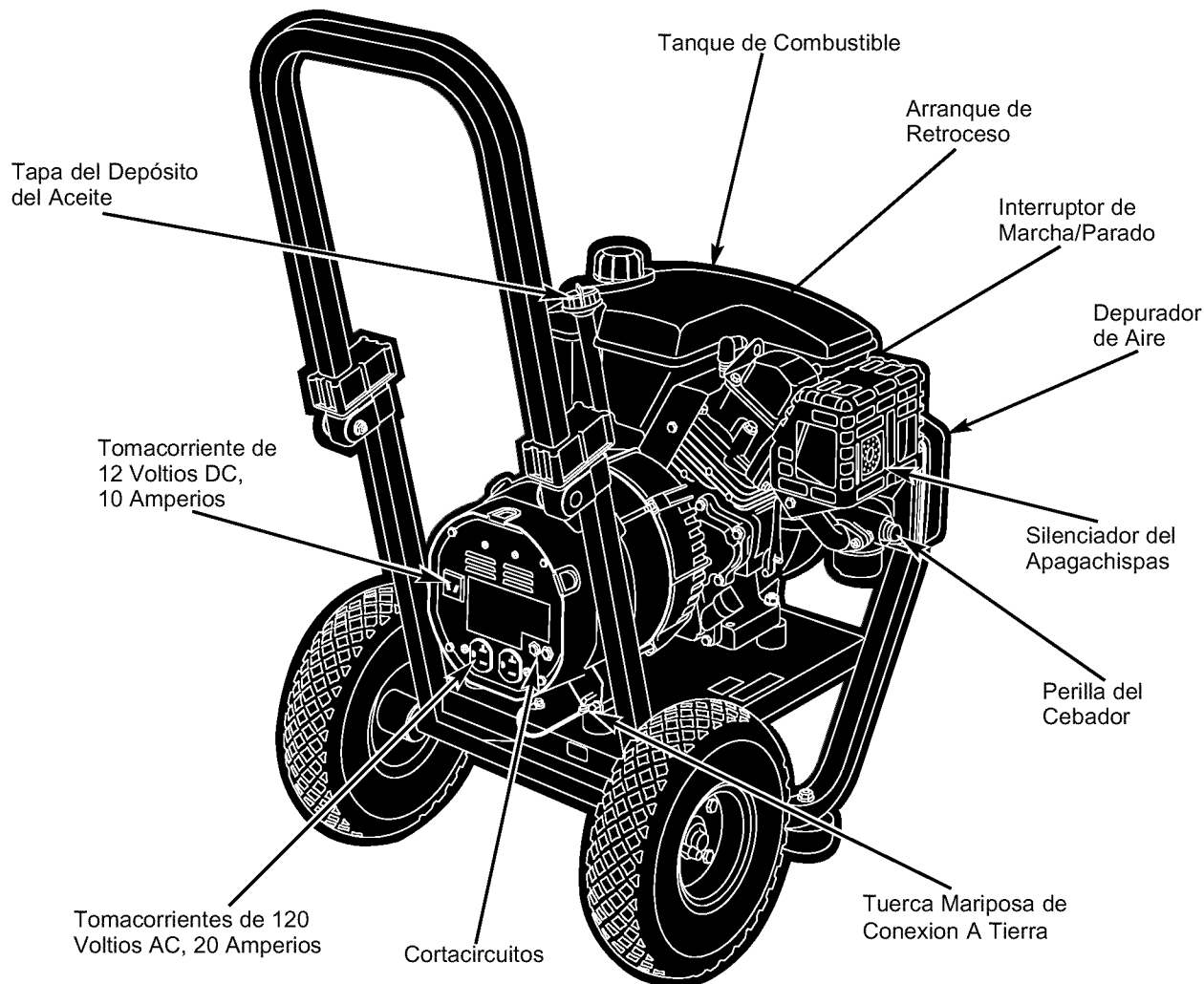
**NOTA:** El motor de su generador está equipado con un silenciador apagachispas, el apagachispas deberá ser mantenido en buenas condiciones de funcionamiento por parte del propietario/operador. En el estado de California es obligatorio, según ley, el uso de apagachispas (Sección 4442 del Código de Recursos Públicos de California). Otros estados pueden tener leyes similares. Las leyes federales se aplican en tierras federales.

 **BUSQUE ESTE SIMBOLO PARA SEÑALAR PRECAUCIONES DE SEGURIDAD IMPORTANTES. ESTO SIGNIFICA “¡ATENCIÓN!!! ¡ESTE ALERTA!!! SU SEGURIDAD ESTA EN PELIGRO.”**

## CONOZCA SU GENERADOR

Lea este manual del propietario y las reglas de seguridad antes de operar su generador.

Compare las ilustraciones con su generador para familiarizarse con la ubicación de los diferentes controles y ajustes. Conserve este manual para referencias futuras.



**Arranque de Retroceso** - Usado para arrancar el motor.

**Cortacircuitos** - Cada tomacorriente posee un cortacircuito para proteger el generador contra sobrecargas eléctricas. Los cortacircuitos son del tipo "oprimir para reposicionar".

**Depurador de Aire** - Filtra el aire de entrada a medida que penetra en el motor.

**Interruptor de Marcha/Parado** - Coloque el interruptor en la posición "Run" (Marcha) antes de usar el arranque de retrocesos. Colóquelo en la posición "Stop" (Parado) para detener el motor.

**Perilla del Cebador** - Usada cuando se está dando arranque a un motor frío. Vea página 7 para comenzar las instrucciones.

**Silenciador del Apagachispas** - El silenciador del escape disminuye el ruido del motor y está equipado con una pantalla apagachispas.

**Tapa del Depósito del Aceite** - Llene el motor con aceite aquí. Vea la página 30 para las recomendaciones del aceite.

**Tanque de Combustible** - El tanque tiene una capacidad de 1 galón americano de gasolina sin contenido de plomo.

**Tomacorriente de 12 Voltios DC, 10 Amperios** - Este tomacorriente le permite cargar baterías tipo automotriz de 12 Voltios.

**Tomacorrientes de 120 Voltios AC, 20 Amperios** - Pueden ser utilizados para suministrar alimentación eléctrica para el funcionamiento de cargas del motor y herramientas, aparatos especiales e iluminación eléctrica de 120 Voltios a 20 Amperios AC, monofásica de 60 Hz.

**Tuerca Mariposa de Conexion A Tierra** - Molió el generador a un suelo aprobado de la tierra aquí.

# MONTAJE

## PARA RETIRAR EL GENERADOR DE LA CAJA

- Corte dos esquinas en el extremo de la caja de la parte superior a la inferior, de manera que pueda doblar el panel hacia abajo en forma plana, después retire todo el material de protección.
- Retire el generador y su contenido de la caja de envío.

## CONTENIDO DE LA CAJA

Revise todo el contenido comparándolo con la lista a continuación:

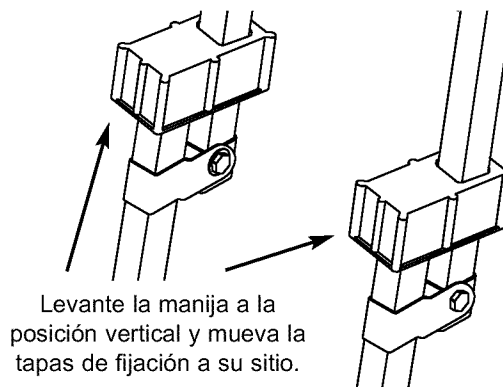
- Unidad Principal
- Aceite del Motor
- Manual del Propietario
- Cables de Carga de la Batería

Si cualquier parte falta o está dañada, llame a la Línea de Ayuda del Generador al **1-800-222-3136**.

## AJUSTE LA MANIJA GUIA

Su generador está equipado con un juego de ruedas para un manejo fácil. Después de retirar el generador de la caja, deberá ajustar la manija guía. Lleve a cabo los siguientes pasos.

- Levante la manija guía, asegúrela en su sitio.

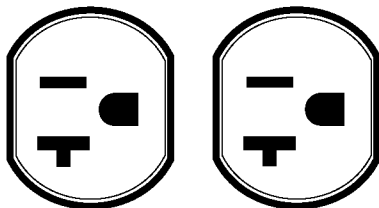


# FUNCIONAMIENTO

## JUEGOS DE CORDONES Y ENCHUFES DEL CONECTOR

### 120 Volt AC, 20 Amp, Receptáculos Dobles

Cada receptáculo está protegido en contra de sobrecargas por un corto-circuitos de, del tipo "empuje para reposicionar".

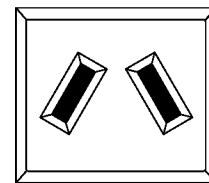


Use cada receptáculo para operar 120 Voltios AC, de fase sencilla, de cargas de 60Hz que requieren hasta 2,400 vatios (2.4 kW) a corrientes de 20 Amps. Use los juegos de cables que son calificados para cargas de 125 Voltios AC, a 20 Amps (o mayores).

**¡PRECAUCION!** A pesar de que cada tomacorriente tiene una capacidad de 120 Voltios a 20 Amperios (2,400 Vatios o 2.4 kW), el generador tiene una capacidad total de 3,000 Vatios. Las cargas de potencia que excedan la capacidad de vatiaje del generador pueden causar daños o lesiones severas. El total de las cargas que pasan a través de estos tomacorrientes no deberá exceder los 20 Amperios.

### Tomacorrientes de 12 Voltios DC

Este tomacorriente le permite recargar una batería de almacenamiento tipo servicio o automotriz de 12 Voltios utilizando los cables suministrados para cargar baterías. Este tomacorriente no puede recargar baterías de 6 Voltios y no se puede usar para darle arranque a motores que tengan la batería descargada. Vea las seccion "Procedimiento de Carga de la Batería" (página 32) antes de intentar recargar la batería.



### Juegos De Cordonnes De 120 Voltios AC

Use únicamente cordones de extensión de alta calidad y bien aislados con los tomacorrientes eléctricos de 120 Voltios del generador.

Revise las capacidades de todos las cordones de extensión antes de usarlos. Los cordones de extensión utilizados deberán tener una capacidad de 125 Voltios AC a 20 Amperios o mayor para la mayoría de los dispositivos eléctricos. Sin embargo, algunos dispositivos podrían no requerir este tipo de cordón de extensión. Revise el manual del propietario de esos dispositivos para ver las recomendaciones del fabricante.

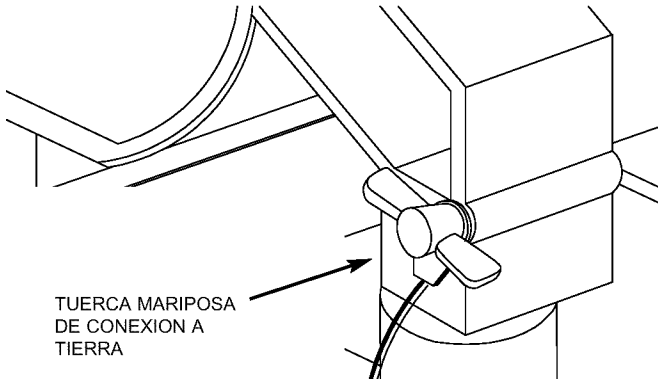
Mantenga el cordón de extensión lo más corto posible, preferiblemente menos de 15 pies de largo para evitar la caída de voltaje y posible recalentamiento de los alambres.

# COMO USAR SU GENERADOR

SI TIENE PROBLEMAS operando su generador después de leer el manual, por favor llame a la línea de ayuda para generadores al **1-800-222-3136**.

## Conexion a Tierra del Generador

El Código Eléctrico Nacional exige que el bastidor y las partes externas conductoras de electricidad del generador se encuentren conectadas adecuadamente a una tierra física aprobada. Los códigos eléctricos locales también podrían exigir la conexión a tierra de la unidad. Para tal propósito, se ha suministrado una tuerca mariposa para conexión a tierra en la base del armazón.



Por lo general, la conexión de un alambre de cobre trenzado No. 12 AWG (American Wire Gauge) a la aleta a tierra y a una barra de conexión a tierra de cobre o bronce (electrodo) proporciona una protección adecuada contra las descargas eléctricas. Sin embargo, los códigos locales pueden variar substancialmente. Consulte con un electricista local para conocer los requisitos de conexión a tierra de su área.

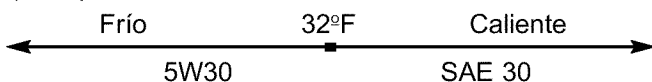
La conexión a tierra adecuada del generador ayudará a evitar las descargas eléctricas en el caso de que exista una condición de falla a tierra en el generador o en los dispositivos eléctricos conectados. La conexión a tierra adecuada también ayuda a disipar la electricidad estática, la cual se acumula frecuentemente en dispositivos no conectados a tierra.

## Antes de Darle Arranque al Generador

Para operar el motor, deberá llevar a cabo lo siguiente:

### Revise o Añada Aceite al Motor

**NOTA:** Cuando añada aceite a la caja del cigüeñal del motor, únicamente use aceite detergente de alta calidad con la clasificación de servicio SF, SG, SH o SH/CD de API, con un peso de 30 SAE. Seleccione el grado de viscosidad del aceite de acuerdo con la temperatura de funcionamiento que espera tener.



A pesar de que los aceites de múltiple viscosidad (5W30, 10W30, etc.) mejoran el arranque en clima frío, estos pueden producir un aumento en el consumo de aceite. Revise el nivel de aceite de su motor frecuentemente para evitar el posible daño del motor debido al funcionamiento del mismo con un bajo nivel de aceite.

- Coloque la generador en una superficie nivelada.
- Limpie el área alrededor del llenado de aceite.
- Retire el tapón del orificio de llenado y la varilla de medición.
- Limpie la varilla de medición, insértela en el orificio de llenado y apriete la firmemente; retire la varilla de medición. Deposite el aceite recomendado hasta la marca "Full" ("Lleno") de la varilla de medición.
- Deposite el aceite lentamente. Limpie la varilla de medición cada vez que revise el nivel del aceite. **No llene** excesivamente.
- Instale el tapón del orificio de llenado de aceite y la varilla de medición y apriete la firmemente.

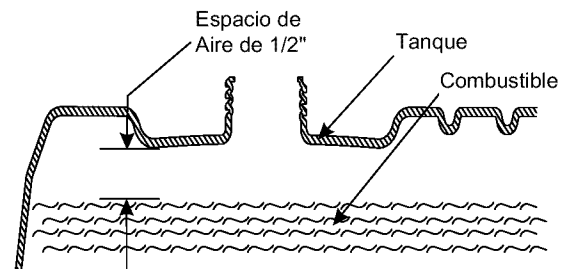
**NOTA: Revise el aceite frecuentemente durante el despegue del motor.**

## Agregue Gasolina

**¡ADVERTENCIA!** Nunca llene el tanque del combustible en recintos cerrados. **Nunca** llene el tanque del combustible cuando el motor esté en funcionamiento o caliente. **No** encienda cigarrillos o fume cuando esté llenando el tanque del combustible.

**¡ADVERTENCIA!** No llene excesivamente el tanque de combustible. Deje suficiente espacio para la expansión del combustible.

- Use gasolina regular SIN CONTENIDO DE PLOMO en el generador. **No** use gasolina premium. **No** mezcle aceite con gasolina.
- Limpie el área alrededor del llenado de gasolina; retire la tapa.
- Llene lentamente el tanque con gasolina sin contenido de plomo. Sea cuidadoso de no llenar excesivamente. Deje 1/2" de espacio en el tanque para que la expansión del combustible, como se muestra en esta ilustración.



- Instale la tapa del combustible y limpie cualquier derrame de gasolina.

**IMPORTANTE:** Es importante evitar la formación de depósitos de goma en las partes esenciales del sistema de combustible como en el carburador, filtro del combustible, manguera del combustible o tanque, durante su almacenamiento. Los combustibles mezclados con alcohol (llamados gasohol, etanol o metanol) pueden atraer la humedad, la cual produce la separación y formación de ácidos durante el almacenamiento. La gasolina ácida puede dañar el sistema de combustible de un motor durante su almacenamiento.

## Para Darle Arranque al Motor

- Desconecte todas las cargas eléctricas de los tomacorrientes del generador antes de darle arranque al motor. **Nunca** arranque o detenga el motor con todos los dispositivos eléctricos conectados en los tomacorrientes del panel y encendidos.
- Asegúrese de que el alambre de la bujía esté conectado a la bujía.
- Coloque el interruptor de Marcha/Parado en la posición "RUN" (MARCHA).
- Oprima el Botón del Cebador 2 ó 3 veces. Espere más o menos 2 segundos entre cada oprimida. En clima frío (50°F/10°C o por debajo), oprima el botón 5 veces.



**NOTA:** Es posible que necesite usar el cebador para volver a darle marcha a un motor caliente después de un corto apagado.

- Agarre el mango del arrancador y hale la soga lentamente hasta que sienta cierta resistencia. Devuelva la cuerda a su posición original y después hágalo con un movimiento completo y rápido del brazo. Deje que la soga se devuelva lentamente. **No** deje que la soga se "devuelva rápidamente" contra el arrancador.

**NOTA:** Si el motor no arranca después de 3 intentos, oprima el botón del cebador 2 veces y vuelva a halar la soga del arrancador.



**¡ADVERTENCIA!** Nunca ponga en marcha el motor en recintos cerrados o en áreas con poca ventilación. El escape del motor contiene monóxido de carbono, un gas letal inodoro.



**¡PRECAUCION!** La temperatura del silenciador y las áreas alrededor puede exceder los 150°F (65°C). Evite estas áreas.

## Conexion de Cargas Electricas

- Deje que el motor se estabilice y se caliente por unos minutos después del arranque.
- **No conecte** cargas de 240 Voltios a los tomacorrientes de 120 Voltios.
- **No conecte** cargas trifásicas a los tomacorrientes.
- **No conecte** cargas de 50 Hertzios al generador.
- Enchufe y encienda las cargas eléctricas AC de 120 Voltios, monofásicas de 60 Hertzios deseadas.
- **NO SOBRECARGUE EL GENERADOR.** Sume los vatios asignados (o amperios) de todas las cargas que se van a conectar al mismo tiempo. Este total no debe ser mayor que la capacidad del vatiaje/amperaje nominal del generador. Vea "No Sobrecargue el Generador" en la página 33.

## Parado del Motor

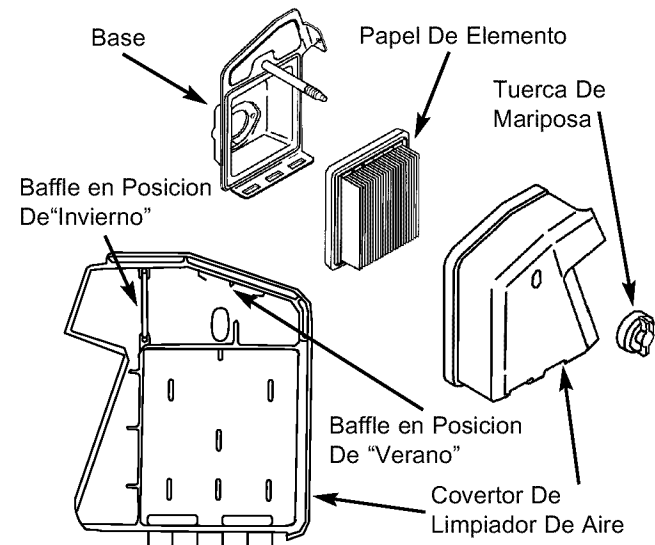
- Desconecte todas las cargas eléctricas de los tomacorrientes del panel del generador. **Nunca** le de arranque o detenga el motor con todos los dispositivos eléctricos conectados y encendidos.
- Deje que el motor funcione sin cargas por algunos minutos para estabilizar las temperaturas internas del motor y el generador.
- Mueva el interruptor de Marcha/Parado a la posición "STOP" (Parado).

## Operacion Para Tiempos De Frio

Su unidad esta equipada con un limpiador de aire con un anti conge lante. Su unidad tiene el adelanto de permitir funsiona a temperaturas de 32°F o-mas bajas sin que se acumule hielo en el carburador. La base del limpiador de aire tiene apertura que absorbe aire calido del moffle acia el limpiador de aire para que lo aga trabajar correctamente es nesesarario bloquear aire frio para que no entre al limpiador de aire.

### En temperaturas de 32°F o-mas bajas:

- Remover la tuerca de mariposa de el covertedor del limpiador de aire.
- Remover el limpiador de aire de la base.
- Remover el baffle rojo de adentro del covertedor del limpiador de aire.
- Insertar baffle rojo en posicion de invierno como semuestra.



- Reinstalar el covertedor del limpiador de aire en la base.
- Reinstalar la tuerca de mariposa y apretarla con seguridad.

### En temperaturas a 32°F o mas altas:

- Segir las instrucciones de ariva, remover el baffle de la posicion de "invierno" y reinstalarla en la posicion de "verano".

## Procedimiento de Carga de la Batería



**¡ADVERTENCIA!** Las baterías de acumuladores producen gas explosivo cuando son cargadas, el cual permanece alrededor de la batería por un período de tiempo prolongado después de haber sido cargada. La chispa más pequeña podría encender el combustible y causar una explosión que puede destruir la batería, causar ceguera y otras lesiones serias.



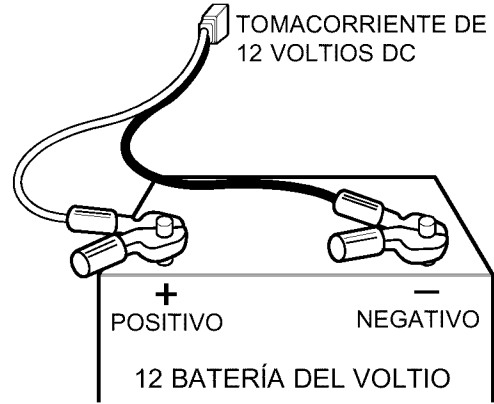
**¡ADVERTENCIA!** No permita que se fume, llamas abiertas, chispas o cualquier otra fuente de calor alrededor de la batería. No utilice un encendedor o cualquier clase de llama para revisar los niveles del líquido de la batería. Use anteojos de protección, delantal de caucho y guantes de caucho cuando trabaje alrededor de la batería. El líquido electrolito de la batería es una solución de ácido sulfúrico cáustico, la cual puede causar quemaduras severas. No permita que el líquido entre en contacto con los ojos, piel, ropa, etc. Si ocurren derrames, limpie inmediatamente el área con agua limpia.

Su generador tiene la capacidad de recargar baterías descargadas de acumuladores tipo servicio o automotriz de 12 Voltios. No utilice la unidad para cargar baterías de 6 Voltios. No use la unidad para mover motores que tengan la batería descargada.

### Para recargar baterías de 12 Voltios, lleve a cabo los siguientes procedimientos:

- Limpie los terminales de la batería si es necesario.
- Revise el nivel del líquido en todas las celdas de la batería. Si es necesario, añada agua destilada UNICAMENTE hasta cubrir los separadores de las celdas de la batería. **No use agua de grifo.**

- Si la batería está equipada con tapas de desfogue, asegúrese de que están instaladas y apretadas.
- Conecte el enchufe conector del cable de carga de la batería al tomacorrientes del panel identificado con las palabras "12-VOLTS D.C."
- Conecte el sujetador del cable de carga de la batería que tiene la manija roja al terminal o borne de la batería marcado con el signo **POSITIVO, POS** o (+).



- Conecte el sujetador del cable de carga de la batería que tiene la manija negra al terminal o borne de la batería marcado con el signo **NEGATIVO, NEG** o (-).
- Arranque el motor. Deje que el motor funcione mientras la batería se recarga.
- Cuando la batería haya cargado, apague el motor (vea "Parado del Motor" a continuación).

**NOTA:** Use un hidrómetro para automóviles para probar el estado de carga y condición de la batería. Siga cuidadosamente las instrucciones del fabricante del hidrómetro. Por lo general, se considera que una batería está en un estado de carga del 100% cuando la gravedad específica de su líquido (medida por el hidrómetro) es de 1.260 o más.



## NO SOBRECARGUE EL GENERADOR

Sobrecargar el generador más allá de su capacidad de vatiaje puede ocasionar daños al mismo y a los dispositivos eléctricos conectados. Siga las siguientes instrucciones para evitar sobrecargar la unidad:

- Sume el vatiaje total de todos los dispositivos eléctricos que van a ser conectados al mismo tiempo. Este total **No** debe ser mayor que la capacidad de vatiaje del generador.
- El vatiaje nominal de las luces puede ser tomado de los bombillos. El vatiaje nominal de herramientas, aparatos especiales y motores se puede encontrar, por lo general, en la calcomanía o placa de datos del dispositivo.

- Si el aparato especial, herramienta o motor no suministra el vatiaje, multiplique los voltios por la clasificación de amperaje para determinar los vatios (voltios x amperios = vatios).
- Algunos motores eléctricos, como los de inducción, requieren aproximadamente tres veces más vatios de poder para su arranque que para su funcionamiento. Esta onda irruptiva de poder dura tan solo unos segundos durante el arranque de dichos motores. Asegúrese de tener en cuenta este alto vatiaje de arranque cuando seleccione los dispositivos eléctricos que va a conectar a su generador. Primero, calcule la cantidad de vatios necesarios para dar arranque al motor más grande. Sumele a ese número los vatios de funcionamiento de todas las otras cargas conectadas.

La Guía de Vatiage a continuación ha sido suministrada para ayudarle a determinar cuando elementos puede operar su generador al mismo tiempo.

## GUIA DE REFERENCIA DE VATIAJE

### Uso Recreativo/Doméstico

Herramienta/Artefacto	Watts
Radio AM/FM con reloj	50
Bombillo de luz	100
Ventilador	200
Televisor de color, 20"	400
*Congeladora	500
Computadora personal y monitor de 15"	800
*Ventilador de horno de 1/3 hp	800
Horno de microondas	800
*Refrigeradora de 18 pies cúbicos	800
Bomba de sumidero	1000
Sartén eléctrica	1250
*Bomba de agua de pozo de 1/2 hp	1400
*Acondicionador de aire tipo ventana, 12.000 Btu	1400
Calefactor de ambiente	1800
Calentador eléctrico de agua	4000

### Uso de Profesionales/Contratistas

Herramienta/Artefacto	Watts
*Pulverizador no neumático de 1/3 hp	600
Taladro de percusión de 3/8"	600
Sawzall® de velocidad variable	960
Taladro eléctrico de 1/2"	1000
Lámpara de trabajo de cuarzo-halógeno	1000
Lijadora de correa	1200
Sierra circular de 7.1/4"	1500
Sierra a tornillo sin fin de 7.1/4"	1600
*Compresor de aire de 1.1/2 hp	1800
*Sierra eléctrica tipo inglete de 10"	1800
Amoladora de banco de 6"	1800
*Cepilladora de mesa de 6"	1800
*Sierra de brazo radial/de mesa de 10"	2000
Soldadora de alambre	2400
*para el arranque de este dispositivo, tome en cuenta 3 veces los watts listados	

# MANTENIMIENTO

## PROGRAMA DE MANTENIMIENTO

Siga los intervalos horarios o de calendario, lo que ocurra primero. Se requiere de servicio con mayor frecuencia cuando opere la unidad en las condiciones adversas descritas a continuación.

Operación de Mantenimiento	Cada 5 horas	20 horas o cada estación	50 horas o cada estación	100 horas o cada estación
Revise el nivel del aceite	X			
Limpie la pantalla del apagachispas		X		
Cambie el aceite ++			X*	
Proporcione servicio al cartucho del depurador de aire				X**
Reemplace la bujías				X

++ Cambie el aceite después de las primeras 2 horas de operación y después cada 50 horas o cada estación.

\* Cambie el aceite cada 25 horas cuando opere la unidad bajo cargas fuertes o en altas temperaturas.

\*\* Limpie más a menudo bajo condiciones demasiado sucias o polvorientas. Reemplace las partes del depurador si están muy sucias.

## ESPECIFICACIONES DEL PRODUCTO

### Especificaciones del Generador

Vatios de Potencia Nominal.....3,000 vatios (3.0kW)  
 Vatios de Sobretensión  
 Nominal.....3,750 vatios (3.75kW)  
 Voltaje Nominal.....120 Voltios AC  
 Corriente Máxima a  
 120 Voltios .....25.0 Amperios  
 Frecuencia Nominal.....60 Hz a 3600 rpm  
 Fase.....Monofásica  
 Peso que Embarca .....110 lbs.

### Especificaciones del Motor

Caballos de Fuerza.....6 a 3600 rpm  
 Desplazamiento .....195 cc  
 Bujía Tipo:.....Champion RN4C o  
 equivalente  
 Calibrar Separación a:.....0.030 pulgadas  
 (0.76mm)  
 Capacidad de Gasolina .....1 galón americano  
 Tipo de Aceite  
 Verano .....SAE 30 (10W-30)  
 Invierno .....SAE 5W-20 o 5W-30

## RECOMENDACIONES GENERALES

La garantía del generador no cubre los elementos que hayan sido sujetos al abuso o negligencia del operador. Para recibir el valor completo de la garantía, el operador deberá mantener el generador de la forma descrita en este manual.

Se deberán llevar a cabo algunos ajustes periódicamente para mantener correctamente su generador.

**NOTA:** El inflado apropiado de la llanta la distancia que opera debe ser 15-40 PSI.

Todos los ajustes de la sección Servicio y Ajustes de este manual deberán ser hechos por lo menos una vez en cada estación. Cumpla con los requisitos de la tabla "Programa de Mantenimiento" descrita anteriormente.

**NOTA:** Una vez al año deberá limpiar o reemplazar la bujía y reemplazar el filtro de aire. Una bujía nueva y un filtro de aire limpio garantizan una mezcla de combustible-aire adecuada y ayuda a que su motor funcione mejor y tenga una vida útil más prolongada.

## MANTENIMIENTO DEL GENERADOR

El mantenimiento del generador consiste en mantener la unidad limpia y seca. Opere y almacene la unidad en un ambiente limpio y seco donde no vaya a estar expuesta a excesos de polvo, suciedad, humedad o a vapores corrosivos. Las ranuras para aire de enfriamiento del generador deben permanecer despejadas, sin acumulación de nieve, hojas u objetos extraños.

Revise frecuentemente la limpieza del generador y límpielo cuando elementos como polvo, suciedad, aceite, humedad o sustancias extrañas sean visibles sobre su superficie exterior.

**NOTA:** No recomendamos el uso de mangueras de jardín para limpiar el generador. El agua podría introducirse en el sistema de combustible del motor y causar problemas. Además, si el agua se introduce al generador a través de las ranuras para aire de enfriamiento, algo del agua quedará retenida en los espacios vacíos y grietas del aislamiento del devanado del estator y rotor. La acumulación de agua y suciedad en los devanados internos del generador disminuirá eventualmente la resistencia del aislamiento de estos devanados.

### Para Limpiar el Generador:

- Utilice un trapo húmedo para limpiar las superficies exteriores.
- Puede usar un cepillo de cerdas suaves para retirar la suciedad endurecida, aceite, etc.



**¡PRECAUCION!** Nunca inserte objetos o herramientas a través de las ranuras de enfriamiento de aire, incluso si el motor no está en funcionamiento.

- Puede usar una máquina aspiradora para eliminar suciedad y residuos sueltos.
- Puede usar aire a baja presión (que no exceda los 25 psi) para eliminar la suciedad. Inspeccione las ranuras para aire de enfriamiento y la apertura del generador. Estas aperturas deberán mantenerse limpias y despejadas.



**¡PRECAUCION!** Siempre desconecte el alambre de la bujía y manténgalo alejado de la misma cuando trabaje en el generador.

## MANTENIMIENTO DEL MOTOR

### Revisión del Nivel de Aceite

El nivel de aceite deberá revisarse antes de cada uso o por lo menos cada 5 horas de operación. Conserve el nivel de aceite adecuado.

### Cambio de Aceite del Motor

Cambie el aceite después de las primeras 2 horas de operación. Cambie el aceite cada 50 horas de ese momento en adelante. Si está utilizando su generador bajo condiciones de extrema suciedad o polvo, o en un clima demasiado caliente, haga el cambio de aceite más frecuentemente.

Cambie el aceite cuando el motor todavía se encuentre caliente después del funcionamiento, como se indica a continuación:

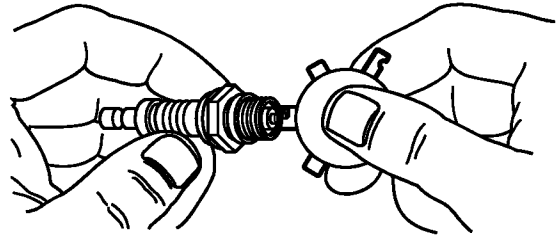
- Limpie el área alrededor de la tapa de llenado.
- Retire la tapa de llenado y drene el aceite por completo en un recipiente adecuado.
- Instale el tapón para drenaje de aceite y apriételo firmemente.
- Llene el depósito del aceite con el aceite recomendado. Vea "Antes de Poner en Marcha el Generador" en la página 30 para las recomendaciones del aceite.
- Instale firmemente el tapón para llenado de aceite.
- Limpie cualquier derrame de aceite.

### Limpie/Reemplace la Bujía

Cambie la bujía cada 100 horas de operación o una vez al año, lo que suceda primero. Esto ayudará a su motor a arrancar más fácilmente y a funcionar mejor. Reemplácela con una bujía champion RN4C o una de tipo equivalente.

- Limpie el área alrededor de la bujía.
- Retire y revise la bujía.

- Reemplace la bujía si los electrodos están picados, quemados o si la porcelana está rota. Para su reemplazo, únicamente utilice Champion RC12YC o una de tipo equivalente.
- Revise la separación del electrodo con un calibrador de alambre y ajuste la separación a 0.030 pulgadas (0.76mm) si es necesario.



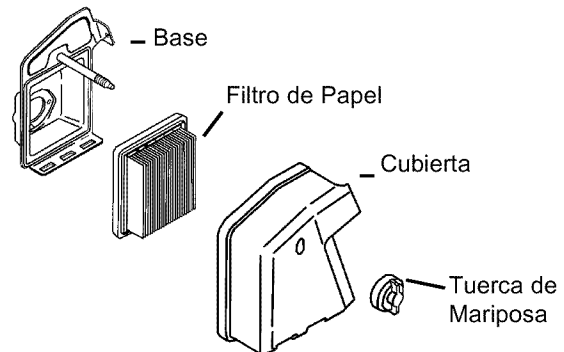
### Proporcione Servicio al Depurador de Aire

Su motor no funcionará correctamente y podría resultar dañado si lo hace funcionar con un depurador de aire sucio.

Limpie o reemplace el filtro de papel del depurador de aire cada 100 horas de operación o una vez al año, lo que suceda primero. Límpiolo o reemplácelo más a menudo si la unidad funciona bajo condiciones de suciedad o polvo excesivo.

#### Para limpiar o reemplazar el filtro de aire de papel:

- Retire la tuerca de mariposa y la cubierta del depurador de aire, después retire el filtro de papel.



- Limpie minuciosamente la parte interior de la base y la cubierta.
- Limpie el filtro de papel golpeándolo suavemente sobre una superficie sólida. Si el filtro está demasiado sucio, reemplácelo con uno nuevo. Elimine el filtro viejo adecuadamente.

**NOTA:** Si necesita ordenar un filtro de aire nuevo, por favor llame al **1-800-366-PART**.

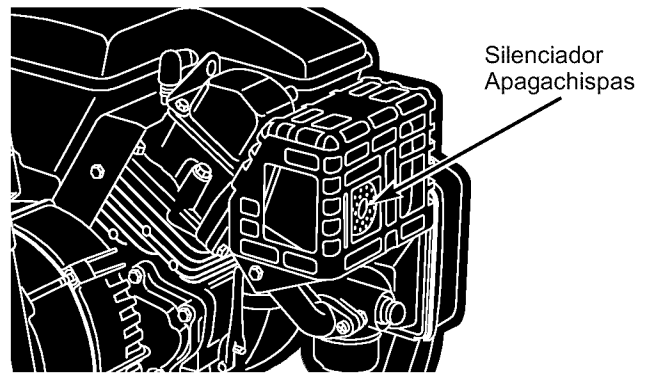
### Limpie la Pantalla del Apagachispas

El silenciador de escape del motor posee una pantalla apagachispas. Inspeccione y limpie la pantalla cada 20 horas de operación o una vez al año, lo que suceda primero.

**NOTA:** El generador tendrá que tener un apagachispas si lo usa en terrenos no tratados cubiertos de monte, maleza o pasto. El apagachispas deberá ser mantenido en buenas condiciones por parte del propietario/operador.

### Limpie e inspeccione el apagachispas de la siguiente manera:

- Retire el tornillo que sujeta la pantalla del apagachispas.
- Inspeccione la pantalla y reemplácela si está rota, perforada o en general dañada. **No** use pantallas defectuosas. Si la pantalla no está dañada, límpiela con un disolvente comercial.
- Vuelva a instalar la pantalla.



## ALMACENAMIENTO

### GENERALIDADES

El generador deberá ser encendido al menos una vez cada siete días y deberá dejarlo funcionar al menos durante 30 minutos. Si no puede hacer esto y debe almacenar la unidad por más de 30 días, use la siguiente información como guía para preparar su unidad para almacenamiento.

### Instrucciones de Almacenamiento para Períodos Prolongados



**¡ADVERTENCIA!** Nunca almacene el motor con combustible en el tanque en recintos cerrados o en áreas encerradas con poca ventilación donde los vapores puedan alcanzar llamas abiertas, chispa o luz de piloto como en un horno, calentador de agua, secadora de ropa u otro aparato de gas.

Es importante evitar que se formen depósitos de goma en las partes esenciales del sistema de combustible, como el carburador, filtro de combustible, manguera o tanque de combustible, durante el almacenamiento. También, la experiencia indica que los combustibles con mezclas de alcohol (llamados gasohol, etanol o metanol) pueden atraer humedad, la cual lleva a la separación y formación de ácidos durante el almacenamiento. El gas ácido puede dañar el sistema de combustible de un motor durante su almacenamiento.

Para evitar problemas del motor, el sistema de combustible deberá desocuparse antes de un almacenamiento de 30 días o más. Siga estas instrucciones:

### Proteja el Sistema de Combustible



**¡ADVERTENCIA!** Drene el combustible dentro de un recipiente adecuado, lejos de llamas abiertas y en lugares al aire libre. Asegúrese de que el motor esté frío. **No** fume.

- Retire toda la gasolina del tanque de combustible para evitar que se formen depósitos de goma en estas partes y causen posible mal funcionamiento del motor.
- Haga funcionar el motor hasta que se detenga por la falta de combustible.

### Cambio de Aceite

Con el motor todavía caliente, drene el aceite de la caja del cigüeñal. Vuelva a llenarla con el grado de aceite recomendado.

### Aceite el Diámetro Interior del Cilindro

- Retire la bujía y rocíe aproximadamente 1 onza (30 ml) de aceite para motor limpio dentro del cilindro.



**¡PRECAUCION!** Evite el rociado del orificio de la bujía cuando esté girando el motor lentamente.

- Cubra el orificio de la bujía con un trapo. Haga girar el motor lentamente para distribuir el aceite.
- Instale la bujía. **No** conecte el alambre de la bujía.

### Generador

- Limpie el generador como está descrito en la página 35 ("Para Limpiar el Generador").
- Revise que las ranuras para el aire de enfriamiento y las aperturas del generador se encuentren abiertas y despejadas.

### Otras Sugerencias para el Almacenamiento

- **No** almacene gasolina de una estación a otra.
- Reemplace la caneca de gasolina si comienza a oxidarse. El óxido y/o la suciedad en la gasolina le causará problemas.
- Si es posible, almacene su unidad en un recinto encerrado y cúbrala para protegerla del polvo y la suciedad. **ASEGURESE DE VACIAR EL TANQUE DEL COMBUSTIBLE.**
- Cubra su unidad con una cubierta de protección adecuada que no retenga humedad.
- Almacene el generador en un área limpia y seca.

**IMPORTANTE:** Nunca cubra su generador cuando el motor y el área del escape estén calientes.

# DIAGNÓSTICO Y REPARACIÓN DE AVERÍAS

Problema	Causa	Solución
<b>El motor está funcionando pero no existe salida de AC disponible.</b>	<ol style="list-style-type: none"> <li>1. Uno de los cotacircuitos está abierto.</li> <li>2. Falla en el generador.</li> <li>3. Mala conexión o juego de cordones defectuoso.</li> <li>4. El dispositivo conectado está en mal estado.</li> </ol>	<ol style="list-style-type: none"> <li>1. Reajuste el cortacircuito.</li> <li>2. Póngase en contacto con la Planta de Servicio de Sears.</li> <li>3. Revise y repare.</li> <li>4. Conecte otro dispositivo que esté en buenas condiciones.</li> </ol>
<b>El motor funciona bien sin cargas pero “funciona mal” cuando las cargas son conectadas.</b>	<ol style="list-style-type: none"> <li>1. Corto circuito en la carga conectada.</li> <li>2. La velocidad del motor es muy lenta.</li> <li>3. El generador está sobrecargado.</li> <li>4. Circuito del generador en corto.</li> </ol>	<ol style="list-style-type: none"> <li>1. Desconecte la carga eléctrica en corto.</li> <li>2. Póngase en contacto con la Planta de Servicio de Sears.</li> <li>3. Vea “No Sobrecargue el Generador”, página 33.</li> <li>4. Póngase en contacto con la Planta de Servicio de Sears.</li> </ol>
<b>El motor no arranca; o arranca y funciona mal.</b>	<ol style="list-style-type: none"> <li>1. Interruptor de Marcha/Parado en “STOP”.</li> <li>2. Depurador de aire sucio.</li> <li>3. Sin gasolina.</li> <li>4. Gasolina vieja.</li> <li>5. El alambre de la bujía no está conectado.</li> <li>6. Bujía en mal estado.</li> <li>7. Agua en la gasolina.</li> <li>8. Exceso de cebado.</li> <li>9. Mezcla de combustible excesivamente rica.</li> <li>10. Válvula de toma atascada en la posición abierta o cerrada.</li> <li>11. El motor ha perdido compresión.</li> </ol>	<ol style="list-style-type: none"> <li>1. Coloque el interruptor en “RUN” (MARCHA).</li> <li>2. Limpie o reemplace el depurador de aire.</li> <li>3. Llene el tanque de combustible.</li> <li>4. Drene el tanque de gasolina; llénelo con combustible fresco.</li> <li>5. Conecte el alambre a la bujía.</li> <li>6. Reemplace la bujía.</li> <li>7. Drene el tanque de gasolina; llénelo con combustible fresco.</li> <li>8. Espere 5 minutos y haga girar el motor.</li> <li>9. Póngase en contacto con la Planta de Servicio de Sears.</li> <li>10. Póngase en contacto con la Planta de Servicio de Sears.</li> <li>11. Póngase en contacto con la Planta de Servicio de Sears.</li> </ol>
<b>El motor se apaga en pleno funcionamiento.</b>	<ol style="list-style-type: none"> <li>1. Sin gasolina.</li> </ol>	<ol style="list-style-type: none"> <li>1. Llene el tanque del combustible.</li> </ol>
<b>Al motor le hace falta potencia.</b>	<ol style="list-style-type: none"> <li>1. La carga es muy alta.</li> <li>2. Filtro de aire sucio.</li> </ol>	<ol style="list-style-type: none"> <li>1. Vea “No Sobrecargue el Generador”, página 33.</li> <li>2. Reemplace el filtro de aire.</li> </ol>
<b>El motor “no funciona continuamente” o se detiene.</b>	Carburador con mezcla de aire-combustible muy rica o muy pobre.	Póngase en contacto con la Planta de Servicio de Sears.

# GARANTIA DEL SISTEMA DE CONTROL DE EMISIONES

## DECLARACION DE LA GARANTIA DEL CONTROL DE EMISIONES PARA CALIFORNIA Y US EPA

La Agencia de Protección Ambiental de los Estados Unidos ("EPA"), la Junta Directiva de Recursos del Aire de California ("CARB") y Tecumseh Products Co., están complacidos de explicar la Garantía de los Sistemas de Control de Emisiones Federales y en California de su nuevo motor para equipo de servicio o césped y jardín. En California, los motores nuevos para equipo de servicio, césped y jardín deberán ser diseñados, construidos y equipados para cumplir las exigentes normas contra la contaminación del estado. En otros estados, los motores fabricados en el año 1997 y posteriormente deberán ser diseñados, construidos y equipados, en el momento de venta, para cumplir las regulaciones de U.S. EPA para motores pequeños de uso fuera de carreteras. Tecumseh Products Co. garantizará el sistema de control de emisiones de su motor para equipo de servicio, césped y jardín por el período de tiempo listado a continuación, con tal de que dicho equipo no haya sido sometido a abuso, abandono, modificaciones no aprobadas o mantenimiento incorrecto.

Su sistema de control de emisiones puede incluir partes como el carburador, sistema de encendido y sistema de escape. También puede estar incluido el sistema de eliminación de compresión y otras partes relacionadas con las emisiones.

Donde exista una condición que sea cubierta por la garantía, Tecumseh Products Co. reparará su motor para equipo de servicio, césped y jardín sin costo alguno para usted, incluyendo diagnóstico, partes y mano de obra.

### Cubrimiento de la Garantía del Sistema de Control de Emisiones del Fabricante

Los sistemas de control de emisiones de los motores para equipo de servicio, césped y jardín de California modelo 1995 y posteriores están garantizados por dos años según lo establecido más adelante en este documento. En otros estados, los motores años 1997 y posteriores también están garantizados por dos años. Si durante dicho período de garantía, cualquiera de las partes de su motor relacionadas con las emisiones es defectuosa en material o mano de obra, Tecumseh Products Co. se encargará de reparar o reemplazar dicha parte.

### Responsabilidades de Garantía del Propietario

Como propietario de un motor para equipo de servicio, césped y jardín, usted es responsable por el cumplimiento del mantenimiento exigido descrito en su Manual del Propietario. Tecumseh Products Co. no negará la garantía por la sola ausencia de los recibos o porque usted no haya suministrado evidencia escrita del cumplimiento de todo el mantenimiento programado.

Como propietario de un motor para equipo de servicio, césped y jardín, usted debe saber que Tecumseh Products

Co. podría negarle cubrimiento de garantía si su equipo de servicio, césped y jardín, o cualquier parte, ha fallado debido a abuso, negligencia, mantenimiento incorrecto o modificaciones no aprobadas.

Usted es responsable de presentar su motor para equipo de servicio, césped o jardín a un Centro de Servicio Tecumseh autorizado (cualquier Proveedor de Servicio Registrado Tecumseh, Distribuidor de Servicio Autorizado Tecumseh o Distribuidor de Bodega Central Tecumseh) tan pronto como el problema aparezca. Las reparaciones de garantía deberán ser terminadas en un período de tiempo razonable sin exceder 30 días.

El Servicio de Garantía puede ser establecido poniéndose en contacto con un Centro de Servicio Autorizado Tecumseh, o poniéndose en contacto con Tecumseh Products Co., c/o Service Manager, Engine and Transmission Group Service Division, 900 North Street, Grafton, WI 53024 - 1499. Teléfono 1-262-377-2700, o consulte sus páginas amarillas locales bajo "Motores a Gasolina" para el nombre, dirección y número telefónico de un Centro de Servicio Autorizado Tecumseh cerca a usted.

### Nota Importante

Esta declaración de garantía le explica sus derechos y obligaciones contenidos en la Garantía del Control de Emisiones ("Garantía ECS"), la cual es proporcionada por Tecumseh Products Co. según las leyes de California. Tecumseh Products Co. también proporciona a los compradores originales de motores nuevos Tecumseh Products Co., las Garantías Limitadas para Módulos de Encendido Electrónicos y Motores ("Garantía de Tecumseh Products Co."), la cual se encuentra incluida en una hoja separada en todos los motores nuevos de Tecumseh Products Co.. La garantía ECS se aplica únicamente al sistema de control de emisiones de su motor nuevo. Cuando exista un conflicto de términos entre la Garantía ECS y la Garantía de Tecumseh Products Co., se aplicará la garantía ECS excepto en circunstancias en que la Garantía de Tecumseh Products Co. pueda proporcionar un período de garantía más prolongado. Tanto la Garantía ECS como la Garantía de Tecumseh Products Co. describen derechos y obligaciones importantes con respecto a su motor.

El servicio de garantía tan solo puede ser llevado a cabo por un Centro de Servicio Autorizado de Tecumseh Products Co. o por Tecumseh Products Co. en su fábrica de Grafton, Wisconsin. En el momento de solicitar el servicio de garantía, deberá presentar evidencia de la fecha de venta al comprador original. El comprador pagará los cargos por llamadas de servicio y/o por transporte de los productos hacia y desde el lugar donde la inspección y/o el trabajo de servicio es llevado a cabo. El comprador será responsable por cualquier daño o pérdida ocurrida durante el transporte de cualquier motor o parte(s) presentada para inspección y/o trabajo de garantía.

Si tiene preguntas con respecto y responsabilidades de garantía, deberá ponerse en contacto con Tecumseh Products Co., al 1-262-377-2700.

## GARANTIA DEL SISTEMA DE CONTROL DE EMISIONES

Garantía del Sistema de Control de Emisiones (“Garantía ECS”) para motores de equipo de servicio, césped y jardín años 1995 y posteriores de California (para otros estados, motores modelos 1997 y posteriores):

**A. Aplicabilidad:** Esta garantía se aplicará a los motores para equipo de servicio, césped y jardín años 1995 y posteriores del estado de California (para otros estados, motores modelos 1997 y posteriores). El periodo de la Garantía ECS comenzará en la fecha en que el equipo o motor nuevo es entregado al comprador final original y continuara por 24 meses consecutivos a partir de ese momento.

**B. Cubrimiento General de la Garantía de Emisiones:** Tecumseh Products Co., garantiza al comprador original final del equipo o motor nuevo, y a cada comprador subsecuente, que cada uno de sus motores para equipo de servicio, césped y jardín está:

1. Diseñado, construido y equipado para cumplir con todas las leyes aplicables establecidas por la Junta Directiva de Recursos del Aire de acuerdo a su autoridad en los Capítulos 1 y 2, Parte 5, División 26 del Código de Salud y Seguridad, y
2. Libre de defectos en material y mano de obra que, en cualquier momento durante el período de la Garantía ECS, causen que una parte garantizada relacionada con las emisiones no sea idéntica en material con respecto a la parte descrita en la aplicación para certificación del fabricante del motor.

**C. La Garantía ECS tan solo hace referencia a las partes de su motor relacionadas con emisiones de la siguiente manera:**

1. Cualquier parte garantizada, relacionada con emisiones, que no esté programada para reemplazo según la sección de mantenimiento del Manual del Propietario, estará garantizada durante el Período de la Garantía ECS. Si cualquiera de dichas partes falla durante el Período de la Garantía ECS, la parte será reparada o reemplazada por Tecumseh Products Co., de acuerdo a la Subsección 4 descrita mas adelante.
2. Cualquier parte garantizada, relacionada con emisiones, que esté programada únicamente para inspección regular, según lo prescrito en el Manual del Propietario, estará garantizada durante el Período de la Garantía ECS. La existencia de una afirmación en dichas instrucciones escritas con respecto a “reparar o reemplazar cuando sea necesario” no reducirá el Período de la Garantía ECS. Cualquier parte reparada o reemplazada bajo la Garantía ECS estará garantizada por el tiempo restante del Período de la Garantía ECS.
3. Cualquier parte garantizada, relacionada con emisiones, que esté programada para reemplazo según la sección de mantenimiento del Manual del Propietario, estará garantizada por el período de tiempo anterior al primer punto de reemplazo programado para esa parte. Si la parte falla antes del primer reemplazo programado, la parte será reparada o reemplazada por Tecumseh Products Co., de acuerdo a la Subsección 4 descrita mas adelante. Cualquier parte relacionada con emisiones reparada o reemplazada

bajo la Garantía ECS, estará garantizada por el tiempo restante del período de la Garantía ECS antes del primer punto de reemplazo programado para dicha parte relacionada con las emisiones.

4. La reparación o reemplazo de cualquier parte garantizada relacionada con las emisiones bajo esta Garantía ECS será llevada a cabo sin costo alguno en un Centro de Servicio Autorizado Tecumseh.
5. Al propietario no se le cobrará por trabajo diagnóstico que lleve a la conclusión de que una parte cubierta por la Garantía ECS es en realidad defectuosa, con tal de que dicho trabajo diagnóstico sea llevado a cabo en un Centro de Servicio Autorizado Tecumseh.
6. Tecumseh Products Co. será responsable por daños a otros componentes del motor original o modificaciones aprobadas, causados por una falla bajo garantía de una parte relacionada con las emisiones cubierta por la Garantía ECS.
7. Durante el periodo de la Garantía ECS, Tecumseh Products Co. mantendrá un suministro de partes garantizadas relacionadas con las emisiones, suficientemente completo como para satisfacer la demanda esperada para dichas partes.
8. Cualquier repuesto de Tecumseh Products Co. autorizado o aprobado, relacionado con las emisiones, puede ser usado en el cumplimiento de cualquier mantenimiento o reparación de Garantía ECS y será proporcionado sin cargo alguno para el propietario. Dicho uso no disminuirá las obligaciones de Garantía ECS de Tecumseh Products Co..
9. Las partes modificadas o adiciones no aprobadas no podrán ser usadas para modificar o reparar un motor de Tecumseh Products Co.. Dicha práctica cancela esta Garantía ECS y será motivo suficiente para denegar un Reclamo de Garantía ECS. Tecumseh Products Co. no será responsable por fallas de partes garantizadas de un motor de Tecumseh Products Co. causadas por el uso de dichas partes modificadas o adiciones no aprobadas.

### LAS PARTES RELACIONADAS CON LAS EMISIONES INCLUYEN:

1. Conjunto del carburador y sus componentes internos.
  - a) Filtro del combustible
  - b) Empaques del carburador
  - c) Tubo de toma de admisión
2. Conjunto del depurador de aire
  - a) Elemento del depurador de aire
3. Sistema de encendido, incluye:
  - a) Bujía
  - b) Módulo de encendido
  - c) Conjunto de la rueda de volante
4. Silenciador catalítico (si está presente)
  - a) Empaque del silenciador (si está presente)
  - b) Múltiple del escape (si está presente)
5. Conjunto del respiradero de la caja del cigüeñal y sus componentes
  - a) Tubo de conexión del respiradero

**For in-home major brand repair service:**

Call 24 hours a day, 7 days a week

**1-800-4-MY-HOME<sup>SM</sup>** (1-800-469-4663)

**Para pedir servicio de reparación a domicilio - 1-800-676-5811**

In Canada for all your service and parts needs call - **1-800-665-4455**  
Au Canada por tout le service ou les pièces

**For the repair or replacement parts you need:**

Call 7 am - 7 pm, 7 days a week

**1-800-366-PART** (1-800-366-7278)

**Para ordenar piezas con entrega a domicilio - 1-800-659-7084**

**For the location of a Sears Parts and Repair Center in your area:**

Call 24 hours a day, 7 days a week

**1-800-488-1222**

**For information on purchasing a Sears maintenance Agreement  
or to inquire about an existing Agreement:**

Call 9 am - 5 pm, Monday - Saturday

**1-800-827-6655**



**The Service Side of Sears<sup>SM</sup>**



## Free Manuals Download Website

<http://myh66.com>

<http://usermanuals.us>

<http://www.somanuals.com>

<http://www.4manuals.cc>

<http://www.manual-lib.com>

<http://www.404manual.com>

<http://www.luxmanual.com>

<http://aubethermostatmanual.com>

Golf course search by state

<http://golfingnear.com>

Email search by domain

<http://emailbydomain.com>

Auto manuals search

<http://auto.somanuals.com>

TV manuals search

<http://tv.somanuals.com>