

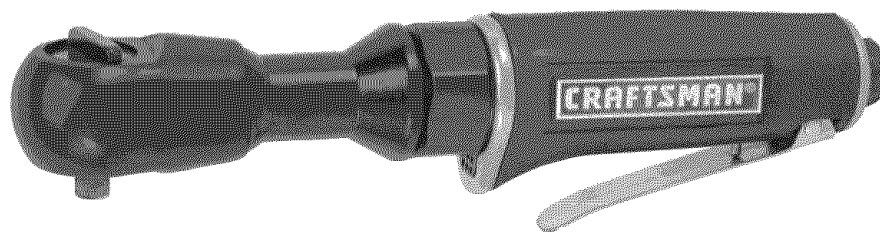
# Owner's Manual



Pneumatic 3/8" Drive

## RATCHET WRENCH

Model No.  
875.199320



### **WARNING:**

Before operating tool, read this manual and follow all Safety Recommendations and Operating Instructions.

- ◆ Safety
- ◆ Warranty
- ◆ Features & Operation
- ◆ Maintenance
- ◆ Español

**Distributed by Sears, Roebuck and Co., Hoffman Estates, IL 60179**  
[www.Sears.com](http://www.Sears.com)

## SAFETY INSTRUCTIONS

### Read Operating Instructions

Please become familiar with all the instructions and warnings before operating any pneumatic tool.

### Always Wear Approved Eye Protection

Impact resistant eye protection should meet or exceed the standards set forth in ANSI Z87.1, Occupational and Educational Eye and Face Protection. Look for marking Z87.1 on your eye protection to ensure that it is an approved style.

### Hearing Protection is Recommended

Hearing protection should be used when the noise level exposure equals or exceeds an 8 hour time-weighted average sound level of 85dBA. Process noise, reflective surfaces, other tools being operated nearby, all add to the noise level in a given work area. If you are unable to determine your noise level exposure, we recommend the use of hearing protection.

### Avoid Prolonged Exposure to Vibration

Pneumatic tools can vibrate during use. Prolonged exposure to vibration or very repetitive hand and arm movements can cause injury. Discontinue the use of any tool if you experience tingling, numbness, discomfort or pain in your hands or arms. You should consult your physician before resuming use of tool.

### 90 PSI Maximum

This tool is designed to operate at an air pressure of 90 pounds per square inch gauge pressure (90 PSI) maximum, at the tool. Use of higher air pressure can, and may cause injury. Also, the use of higher air pressure places the internal components under loads and stresses they were not designed for, causing premature tool failure.

**NOTE:** THE AIR SUPPLY SHOULD BE CLEAN, DRY AND PREFERABLY LUBRICATED. FOR BEST RESULTS DRAIN THE MOISTURE FROM YOUR COMPRESSOR DAILY.

### Use Only Power Sockets & Accessories

Sockets and accessories used shall be of the power socket type. Always check sockets, retainers and drives regularly for wear or damage and replace when necessary.

## **▲WARNING**

Some dust created by power sanding, sawing, grinding, drilling and other construction activities contains chemicals known to cause cancer, birth defects or other reproductive harm. Some examples of these chemicals are:

- Lead from lead based paint
- crystalline silica from bricks and cement and other masonry products, and
- arsenic and chromium from chemically-treated lumber.

Your risk from those exposures varies, depending on how often you do this type of work. To reduce your exposure to these chemicals: work in a well ventilated area, and work with approved safety equipment, such as dust masks that are specifically designed to filter out microscopic particles.

## WARRANTY

### FULL ONE YEAR WARRANTY ON CRAFTSMAN AIR-DRIVE TOOLS

If this Craftsman tool fails to give complete satisfaction within one year from the date of purchase, RETURN IT TO THE NEAREST SEARS STORE IN THE UNITED STATES, and Sears will repair or replace it free of charge. If this Craftsman tool is used for commercial or rental purposes, this warranty applies for only 90 days from the date of purchase. This warranty gives you specific legal rights, and you may also have other rights which vary from state to state.

Distributed by Sears, Roebuck and Co., Dept. 817WA, Hoffman Estates, IL 60179.

## FEATURES/SPECIFICATIONS

The Craftsman Model 875.199320 3/8" Drive Ratchet Wrench is designed for applications such as automotive repair, general assembly, transmission teardown and maintenance. Features include a lever throttle for speed control and low profile head for work in close quarters.

### Features

- Lever throttle for ease of operation.
- 1-1/8" Ratchet head height (without socket) for use in close-quarter applications.
- Front exhaust directs air away from operator.

### Specifications

Drive size.....	3/8"
Free speed (No Load).....	180 RPM
Ultimate torque.....	45 ft. lbs.
Weight.....	2 1/2 lbs.
Overall length.....	10"
Average air consumption.....	5.5 SCFM
Recommended hose size.....	3/8" I.D.
Air inlet.....	1/4" NPT
Maximum Air Pressure.....	90 PSI

## INSTALLATION / PRE-OP

### Pre-Operation

Before the tool is connected to the air supply, clear the air hose of accumulated dust and moisture by running air freely through the air hose for 5-10 seconds. Before removing a tool for service or changing sockets, make sure the air line is shut-off at the compressor. This will prevent the tool from operating if the throttle is accidentally engaged.

### Installation (See figure 1)

This tool is designed to operate at 90 psi. Lower pressure (below 90 psi) will reduce performance of the tool while higher air pressure (over 90 psi) raises the performance of the tool beyond its rated capacity and could cause serious damage to tool and user.

Always use clean dry air. Excessive moisture and dirt will greatly reduce the life of any air motor. We recommend the installation of an in-line filter-regulator-lubricator as close to the tool as possible.

A 3/8" air hose is required up to a length of 8 ft. If more length is required a 1/2" air hose should be used at the compressor. Attach a 3/8" whip hose for the remaining 4 - 8 ft. for flexibility. Be sure all hoses and fittings are the correct size and tightly secured before using air tool.

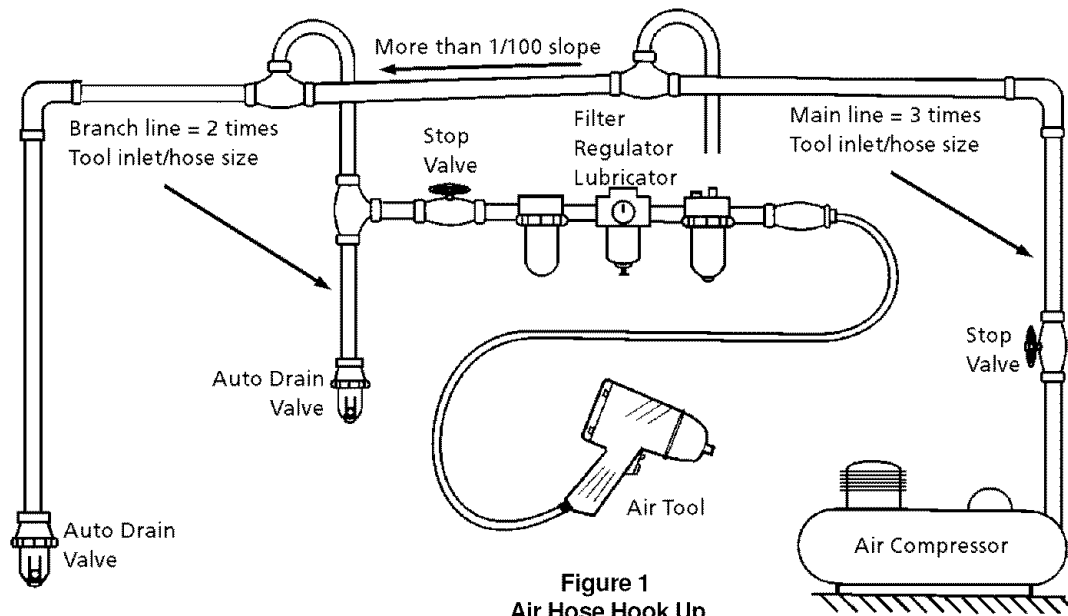


Figure 1  
Air Hose Hook Up

## OPERATION

**WARNING: DISCONNECT TOOL FROM AIR SUPPLY BEFORE SERVICING OR CHANGING SOCKETS.** This ratchet is equipped with a lever throttle which allows the operator to vary the speed. Direction control is located on the back of the ratchet head. Initial tightening and loosening of fasteners should be done manually with ratchet used as a hand tool. Fasteners may then be run on and off with relative ease.

Keep socket firmly against work surface when running the ratchet to avoid dislodging the socket from the anvil. Excessive torque leverage above tool specifications will result in premature gear wear.

## MAINTENANCE

### Lubrication

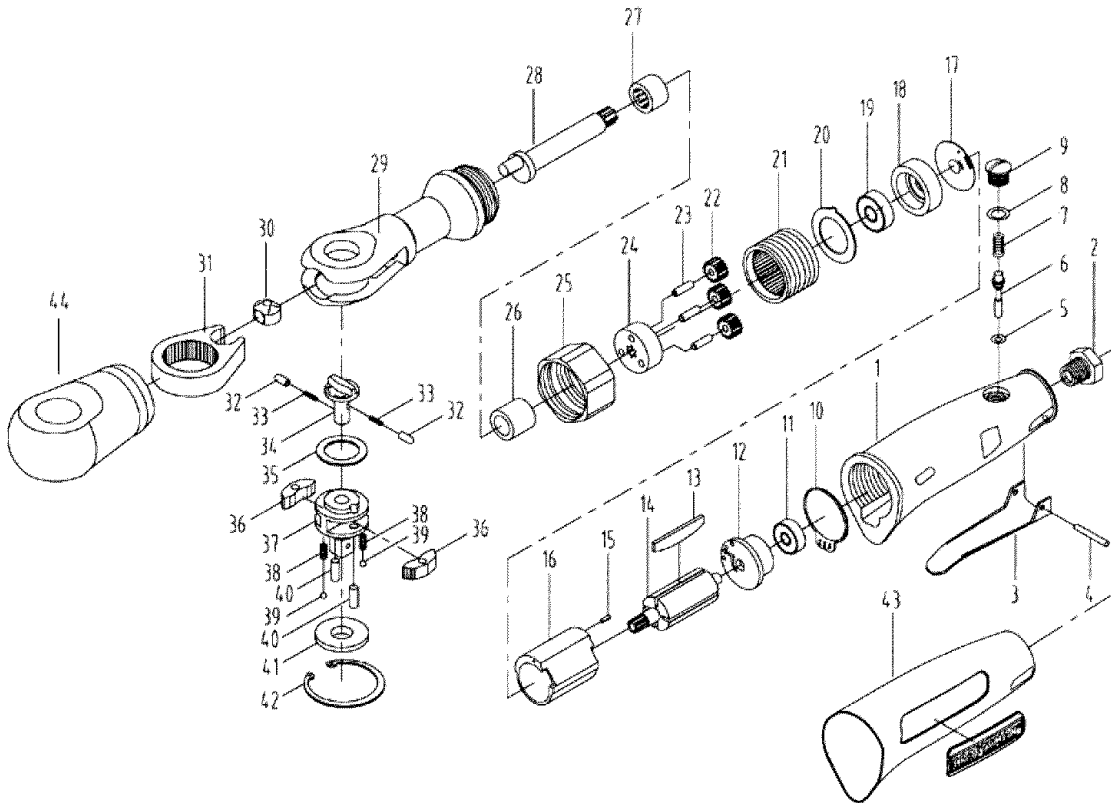
An in-line filter-regulator-lubricator (fig 1) is recommended as it increases tool life and keeps the tool in sustained operation. The in-line lubricator should be regularly checked and filled with air tool oil. Proper adjustment of the in-line lubricator is performed by placing a sheet of paper next to the tools exhaust ports and holding the throttle open approximately 30 seconds. The lubricator is properly set when a light stain of oil collects on the paper. Excessive amounts of oil should be avoided.

In the event that it becomes necessary to store the tool for an extended period of time (overnight, weekend, etc.), it should receive a generous amount of lubrication through the air inlet. The tool should be run for approximately 30 seconds to ensure oil has been evenly distributed throughout the tool. The tool should be stored in a clean and dry environment.

**Recommended lubricants:** Use air tool oil or any other high grade turbine oil containing moisture absorbent, rust inhibitors, metal wetting agents and an EP (extreme pressure) additive.

# Sears CRAFTSMAN Model 875.199320 Pneumatic 38" Drive Ratchet Wrench

## Exploded View and Parts List



Ref.	Part No.	Description	Q'ty	Ref.	Part No.	Description	Q'ty
1	9106459	Housing	1	23	9106481	Gear Pin	3
2	9106460	Air Inlet Bushing	1	24	9106482	Gear Cage	1
3	9106461	Throttle Lever	1	25	9106483	Clamp Nut	1
4	9106462	Dowel Pin	1	26	9106484	Bushing	1
5	9106463	O-Ring	1	27	9106485	Needle Bearing	1
6	9106464	Valve Stem	1	28	9106486	Crank Shaft	1
7	9106465	Valve Spring	1	29	9106487	Ratchet Housing	1
8	9106466	O-Ring	1	30	9106488	Drive Bushing	1
9	9106467	Valve Plug	1	31	9106489	Ratchet Yoke	1
10	9106468	Muffler Cover	1	32	9106490	Locking Pin	2
11	9106469	Ball Bearing	1	33	9106491	Spring	2
12	9106470	Rear End Plate	1	34	9106492	Reverse Switch	1
13	9106471	Rotor Blade	4	35	9106493	Washer	1
14	9106472	Rotor	1	36	9106494	Ratchet Pawl	2
15	9106473	Set Pin	1	37	9106495	Anvil Cage	1
16	9106474	Cylinder	1	38	9106496	Spring	2
17	9106475	Washer	1	39	9106497	Steel Ball	2
18	9106476	Front End Plate	1	40	9106498	Set Pin	2
19	9106477	Bearing	1	41	9106499	Thrust Washer	1
20	9106478	Washer	1	42	9106500	Retainer Ring	1
21	9106479	Gear Ring	1	43	9106501	Handle Grip	1
22	9106480	Idler Gear	3	44	9106502	Ratchet Cover	1

# Troubleshooting

Symptom	Possible Cause	Corrective Action
Tool runs slowly or will not operate	1. Dirt or gum in tool	1. Flush the tool with air tool oil or gum solvent.
	2. No oil in tool	2. Lubricate the tool according to the lubrication instructions in this manual
	3. Low air pressure	3. a. Adjust the regulator on the tool to the maximum setting b. Adjust the compressor regulator to tool maximum of 90 psi.
	4. Air hose leaks	4. Tighten and seal hose fittings if leaks are found use teflon tape.
	5. Pressure drops	5. a. Be sure the hose is the proper size. Long hoses or tools using large volumes of air may require a hose with an I.D. of 1/2" or larger depending on the total length of the hose b. Do not use a multiple number of hoses connected together with quick connect fittings. This causes additional pressure drops and reduces the tool power. Directly connect the hoses together
	6. Worn rotor blade in motor	6. Replace rotor blade
	7. Worn ball bearing in motor	7. Remove and inspect bearing for rust, dirt and grit. Replace or clean and grease bearing with bearing grease
Moisture blowing out of tool exhaust	1. Water in tank	1. Drain tank. (See air compressor manual). Oil tool and run until no water is evident. Oil tool again and run 1-2 seconds
Impacts slowly or will not impact	1. Lack of lubrication	1. Lubricate the air motor and the impact mechanism. (See Lubrication section of this manual)
	2. Tool regulator set in wrong position	2. Adjust the regulator on the tool to the maximum setting
	3. In line regulator or compressor regulator set too low	3. Adjust regulators in the air system
Impacts rapidly but will not remove bolts	1. Worn impact mechanism	1. Replace worn impact mechanism components
Does not impact	1. Broken impact mechanism	1. Replace broken impact mechanism components

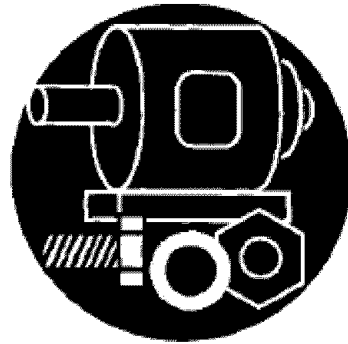
**For the repair or replacement parts you need delivered directly to your home**

Call 7 am - 7 pm, 7 days a week

**1-800-366-PART**

**(1-800-366-7278)**

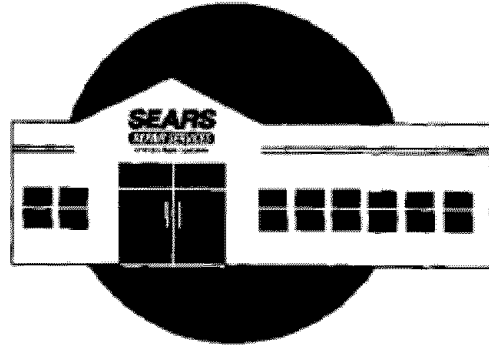
**Para ordenar piezas con entrega a domicilio - 1-800-659-7084**



**For the location of a Sears Parts and Repair Center in your area**

Call 24 hours a day, 7 days a week

**1-800-488-1222**



**For more information on purchasing a Sears Maintenance Agreement or to inquire about an existing Agreement**

Call 9 am - 5 pm, Monday-Saturday

**1-800-827-6655**



The model number of your air tool is located on the serial plate attached to the tool.

When requesting service or ordering parts, always give the following information:

- Product Type
- Pneumatic Tool
- Model Number
- Part Description



**Distributed by Sears, Roebuck and Co., Hoffman Estates, IL 60179 USA**

## Free Manuals Download Website

<http://myh66.com>

<http://usermanuals.us>

<http://www.somanuals.com>

<http://www.4manuals.cc>

<http://www.manual-lib.com>

<http://www.404manual.com>

<http://www.luxmanual.com>

<http://aubethermostatmanual.com>

Golf course search by state

<http://golfingnear.com>

Email search by domain

<http://emailbydomain.com>

Auto manuals search

<http://auto.somanuals.com>

TV manuals search

<http://tv.somanuals.com>