

CRAFTSMAN®

Product questions or problems?

1-888-331-4569

Customer Care Hot Line

Get answers to questions, troubleshoot problems,
order parts, or schedule repair service.

Para respuestas a preguntas o problemas, y ordenar
piezas o pedir servicio para la reparación de su equipo.

To help us help you, register your product at www.craftsman.com/registration

Para poderte ayudar mejor, registra tu producto en www.craftsman.com/registration

Join the Craftsman Club today!

CRAFTSMAN® CLUB

www.craftsman.com/signup

Receive exclusive member benefits including special pricing and offers,
project sharing, expert advice, and SHOP YOUR WAY REWARDS!

Como miembro exclusivo, recibe diversos beneficios como ofertas, precios especiales, proyectos
nuevos, consejos de expertos y nuestro programa de puntos SHOP YOUR WAY REWARDS!

® Registered Trademark / ™ Trademark of KCD IP, LLC in the United States, or Sears Brands, LLC in other countries
® Marca Registrada / ™ Marca de Fábrica de KCD IP, LLC en Estados Unidos, o Sears Brands, LLC en otros países

Repair Parts Manual

CRAFTSMAN®

LAWN TRACTOR

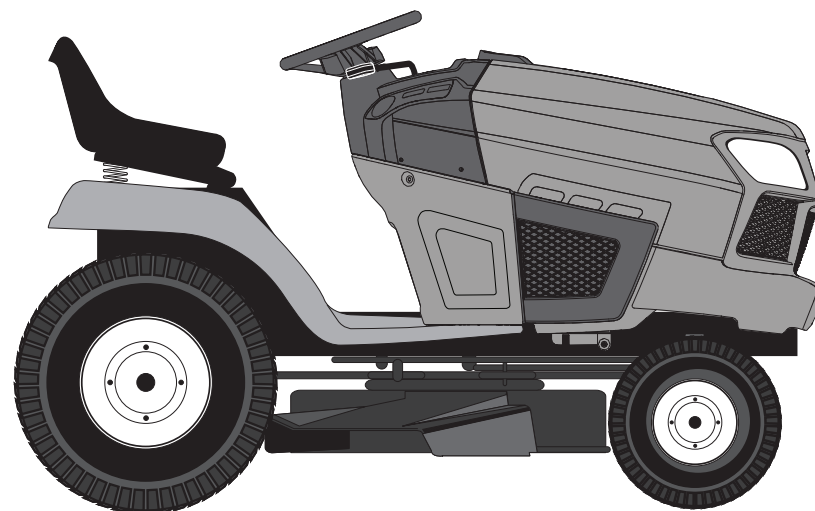
19 HP,* 46" Mower

Electric Start

Automatic Transmission

Model No.

917.255840



For answers to your questions
about this product, call:

1-888-331-4569

Craftsman Customer Help Line

Sears Brands Management Corporation, Hoffman Estates, IL 60179 U.S.A.
Visit our Craftsman website: www.craftsman.com

* The power rating as declared by the engine manufacturer is the average gross power output at the specified RPM of a typical production engine for the engine model measured using SAE Standards for engine gross power. Please refer to the engine manufacturer for details.

⚠WARNING: This tractor is equipped with an internal combustion engine and should not be used on or near any unimproved forest-covered, brush-covered or grass-covered land unless the engine's exhaust system is equipped with a spark arrester meeting applicable local or state laws (if any). If a spark arrester is used, it should be maintained in effective working order by the operator.

In the state of California the above is required by law (Section 4442 of the California Public Resources Code). Other states may have similar laws. Federal laws apply on federal lands. A spark arrester for the muffler is available through your nearest Sears service center (See ENGINE ASSEMBLY section of this manual).

REPAIR PROTECTION AGREEMENTS

Congratulations on making a smart purchase. Your new Craftsman® product is designed and manufactured for years of dependable operation. But like all products, it may require repair from time to time. That's when having a Repair Protection Agreement can save you money and aggravation.

Purchase a Repair Protection Agreement now and protect yourself from unexpected hassle and expense.

Here's what's included in the Agreement:

- **Expert service** by our 12,000 professional repair specialists.
- **Unlimited service and no charge** for parts and labor on all covered repairs.
- **Product replacement** if your covered product can't be fixed.
- **Discount of 25%** from regular price of service and service-related parts not covered by the agreement; also, 25% off regular price of preventive maintenance check.
- **Fast help by phone** – phone support from a Sears representative on products requiring in-home repair, plus convenient repair scheduling.

Once you purchase the Agreement, a simple phone call is all that it takes for you to schedule service. You can call anytime day or night, or schedule a service appointment online.

Sears has over 12,000 professional repair specialists, who have access to over 4.5 million quality parts and accessories. That's the kind of professionalism you can count on to help prolong the life of your new purchase for years to come. Purchase your Repair Protection Agreement today!

Some limitations and exclusions apply.

For prices and additional information call 1-800-827-6655.

SEARS INSTALLATION SERVICE

For Sears professional installation of home appliances, garage door openers, water heaters, and other major home items, in the U.S.A. call **1-800-4-MY-HOME®**.

TRACTOR - - MODEL NUMBER 917.255840

BRIGGS & STRATTON ENGINE-MODEL NUMBER 33R877, TYPE NUMBER 0021-G1

KEY NO.	PART NO.	DESCRIPTION	KEY NO.	PART NO.	DESCRIPTION
633	699813	Seal-Choke/Throttle (Choke Shaft)	1026	692003	Rod-Push (Intake) (Aluminum)
633A	690998	Seal-Choke/Throttle (Choke Shaft) (Not Used On This Engine)	1026A	692011	Rod-Push (Exhaust) (Steel)
634	698779	Spring/Seal Assembly	1027	696854	Filter-Oil
635	691909	Boot-Spark Plug	1029	691751	Arm-Rocker
654	690958	Nut (Carburetor)	1034	690822	Guide-Push Rod
684	697157	Screw (Breather Passage Cover)	1036		Label-Emissions (Available from a Briggs & Stratton Authorized Dealer)
691	692407	Seal-Governor Shaft	1040	698368	Plate-Trim
697	791680	Screw (Drive Cap)	1044	698139	Screw (Flywheel)
718	690959	Pin-Locating	1051	691265	Ring-Retaining
729	691224	Clip-Wire	1058	N/A	Operator's Manual
741	697128	Gear-Timing	1059	698516	Kit-Screw/Washer (Alternator) (Not Used On This Engine)
750	790832	Screw (Oil Pump Cover)	1090	691293	Retainer-Brush
757	793242	Link-Counterweight	1091	691333	Cap-Limiter
758	793763	Counterweight	1095	794152	Gasket Set-Valve
759	697392	Pin-Counterweight	1119	691183	Screw (Alternator)
773	796448	Retainer (Fuel Pump)	1127	695407	Screw (Float Bowl)
783	593935	Gear-Pinion (Steel)	1139	796449	Washer (Fuel Pump)
789	698329	Harness-Wiring	1263	697124	Reed-Breather
797	693167	Nut (Brush Retainer)	1264	697104	Screw (Breather Reed)
801	691283	Cap-Drive	1265	794151	Support-Blower Housing
802	691286	Cap-End	1266	691917	Seal-O Ring (Intake Elbow) (Red)
830	691095	Stud-Rocker Arm	1266A	697123	Seal-O Ring (Intake Elbow) (Not Used On This Engine)
842	691031	Seal-O Ring (Dipstick)	1270	793243	Plug-AVS Counterweight
847	790443	Dipstick/Tube Assembly	1279	691108	Screw (Blower Housing Support)
850	100106	Sealant-Liquid	1329	N/A	Replacement Engine (Not Available at this Printing)
851	692424	Terminal-Spark Plug	1330	N/A	Repair Manual (Not Available at this Printing)
868	690968	Seal-Valve	1332	591991	Washer (Rotating Screen) (Used on Steel Rotating Screen)
877	790544	Wire/Connector-Alternator (Not Used On This Engine)			
883	692236	Gasket-Exhaust (Not Used On This Engine)			
914	691108	Screw (Rocker Cover)			
918	791744	Hose-Vacuum (Formed) (Cut to Required Length)			
943	690589	Seal-O Ring (Oil Pump Cover)			
947	699915	Solenoid-Fuel			
964	799159	Cap-Connector	Carburetor Overhaul Kit		Key No. 121
965	499613	Cover-Oil Pump	Engine Gasket Set		Key No. 358
967	793685	Filter-Pre Cleaner	Valve Gasket Set		Key No. 1095
968	591644	Cover-Air Cleaner			
975	699502	Bowl-Fuel			
987	698777	Seal-Throttle Shaft			
1023	797421	Cover-Rocker			
1005	796084	Fan-Flywheel			
1017	796981	Screen-Oil Pump			
1022	272475s	Gasket-Rocker Cover (Not Used On This Engine)			
1024	794644	Pump-Oil			

NOTE: All component dimensions given in U.S. inches
1 inch = 25.4 mm

NOTE: All component dimensions given in U.S. inches
1 inch = 25.4 mm

TRACTOR - - MODEL NUMBER 917.255840

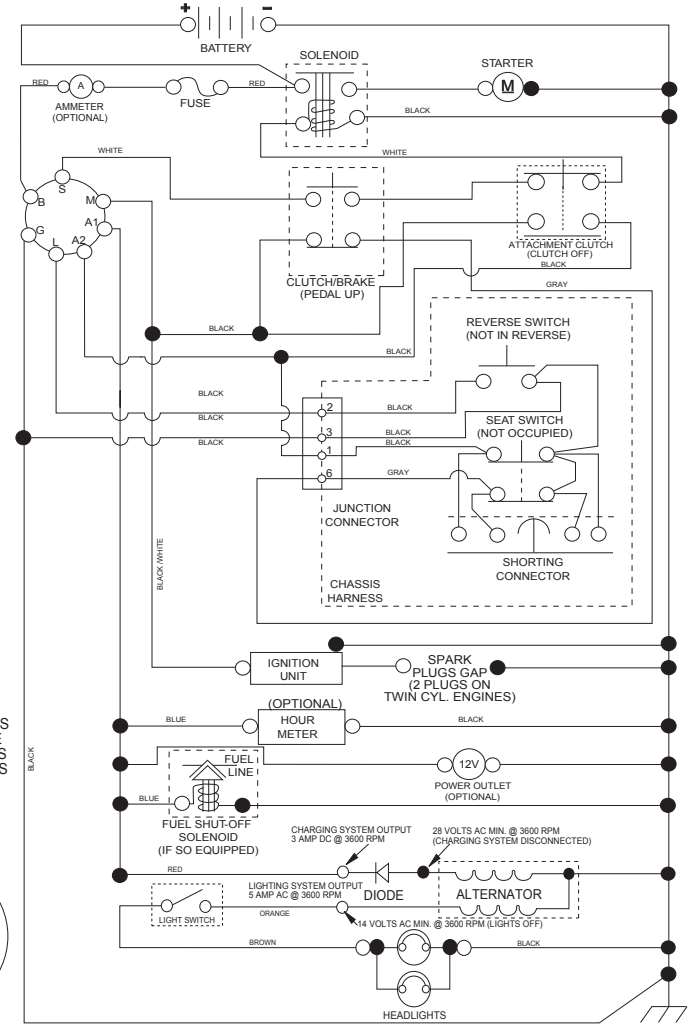
BRIGGS & STRATTON ENGINE-MODEL NUMBER 33R877, TYPE NUMBER 0021-G1

KEY NO.	PART NO.	DESCRIPTION	KEY NO.	PART NO.	DESCRIPTION
1	591465	Cylinder Assembly	135A	698780	Tube-Fuel Transfer (Service Carburetor)
2	797673	Kit-Bushing/Seal			Gasket-Float Bowl
3	391086s	Seal-Oil (Magneto Side)	137	698781	Kit-Choke Shaft
4	592849	Sump-Engine	141	592937	Line-Fuel (Formed)
5	591750	Head-Cylinder	187	791805	Line-Fuel (Cut to Required Length)
7	794114	Gasket-Cylinder Head	187A	791766	Screw (Control Bracket)
7A	796584	Gasket-Cylinder Head (Not Used On This Engine)	188	691693	Adjuster-Rocker Arm
9	697109	Gasket-Breather (Not Used On This Engine)	192	691986	Link-Mechanical Governor
11	794683	Tube-Breather	202	691841	Spring-Governor (Green)
12	697110	Gasket-Crankcase	209	796260	Link-Choke
13	592244	Screw (Cylinder Head)	216	691840	Spring-Choke Return
15	690946	Plug-Oil Drain	217	695409	Bracket-Control
16	591763	Crankshaft	222	694042	Lever-Governor Control
20	795387	Seal-Oil (PTO Side)	227	691374	Spring-Governor Link
22	692125	Screw (Crankcase Cover/Sump)	232	691842	Cap-Valve
23	591759	Flywheel	238	691843	Filter-Fuel
24	591757	Key-Flywheel (Steel)	240	691035	Clamp-Casing
25	795858	Piston Assembly (Standard)	240	691024	Screw (Casing Clamp)
	795877	Piston Assembly (.020" Oversize)	267	794904	Washer-Sealing
26	794126	Ring Set (Standard)	276	695410	Housing-Blower
	794127	Ring Set (.020" Oversize)	304	592814	Screw (Blower Housing) (1/4-20x1.21)
27	698469	Lock-Piston Pin	305	697102	Screw (Blower Housing) (#10-16x.43)
28	795861	Pin-Piston			Screw (Blower Housing) (1/4-20x.90)
29	794571	Rod-Connecting	305A	795891	Shield-Cylinder
32	791118	Screw (Connecting Rod)	305B	799370	Screw (Cylinder Shield)
33	591752	Valve-Exhaust			Motor-Starter
34	591751	Valve-Intake	306	794953	Screw (Starter Motor)
35	691279	Spring-Valve (Intake)	307	691693	Brush Set
36	691279	Spring-Valve (Exhaust)	309	593934	Screen/Cup Assembly
37	699882	Guard-Flywheel	310	690323	Armature-Magneto
42	499586	Keeper-Valve	311	497608	Screw (Magneto Armature)
43	691968	Slinger Governor/Oil	324	796309	Plug-Spark
45	690564	Tappet-Valve	324	796309	Gasket Set-Engine
46	793880	Camshaft	333	592841	Key-Woodruff
48	N/A	Short Block (Not Available at this Printing)	334	691061	Washer (Governor Crank)
50	592842	Manifold-Intake	337	491055s	Plug (Cover/Retainer)
51	692137	Gasket-Intake	337	491055s	Plug (Intake Manifold)
51A	796081	Gasket-Intake (Not Used On This Engine)	358	796187	Elbow-Intake
53	591260	Stud (Carburetor)	377	691639	Filter-Air Cleaner Cartridge
54	691148	Screw (Intake Manifold)	404	691691	Washer (Starter Cable)
78	691693	Screw (Flywheel Guard)	415	794129	Alternator
94	793610	Kit-Idle Mixture	415A	794903	Strap-Starter (Not Used On This Engine)
95	690718	Screw (Throttle Valve)	431	799043	Nut (Governor Control Lever)
98	695408	Kit-Idle Speed	445	793569	Drive-Starter
104	694918	Pin-Float Hinge	462	691261	Clutch-Drive
105	696136	Valve-Float Needle	474	592831	Dipstick
108	695419	Valve-Choke	503	691532	Seal-Dipstick Tube
117	796251	Jet-Main (Standard)			Tube-Dipstick
118	791406	Jet-Main (High Altitude) (5000 > 9000 Feet)	505	691251	Bushing-Governor Crank
121	796184	Kit-Carburetor Overhaul	510	693699	Screw (Governor Control Lever)
125	591736	Carburetor	513	692024	Nut (Starter Cable)
127	690727	Plug-Welch	523	699908	Cover-Breather Passage
130	792747	Valve-Throttle	524	691032	Hose-Clamp (Green)
131	792765	Kit-Throttle Shaft	525	697085	Pin-Cotter (Governor Crank)
133	694914	Float-Carburetor	552	697144	Crank-Governor
135	796400	Tube-Fuel Transfer (Original Carburetor)	562	691119	Seal-O Ring (Intake Manifold)
			579	691029	(Red)
			584	794682	
			601	791850	
			614	691620	
			616	692012	
			617	692138	

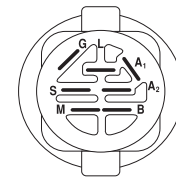
SCHEMATIC

SCH11

TRACTOR - - MODEL NUMBER 917.255840

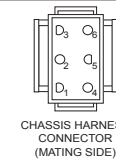


NOTE
YOUR TRACTOR IS EQUIPPED WITH A SPECIAL ALTERNATOR SYSTEM. THE LIGHTS ARE NOT CONNECTED TO THE BATTERY, BUT HAVE THEIR OWN ELECTRICAL SOURCE. BECAUSE OF THIS, THE BRIGHTNESS OF THE LIGHTS WILL CHANGE WITH ENGINE SPEED. AT IDLE THE LIGHTS WILL DIM. AS THE ENGINE IS SPEEDED UP, THE LIGHTS WILL BECOME THEIR BRIGHTEST.



IGNITION SWITCH

POSITION	CIRCUIT	"MAKE"
OFF	M+G+A1	
RUN/OVERRIDE	B+A1	
RUN	B+A1 L+A2	
START	B+S+A1	



CHASSIS HARNESS CONNECTOR (MATING SIDE)



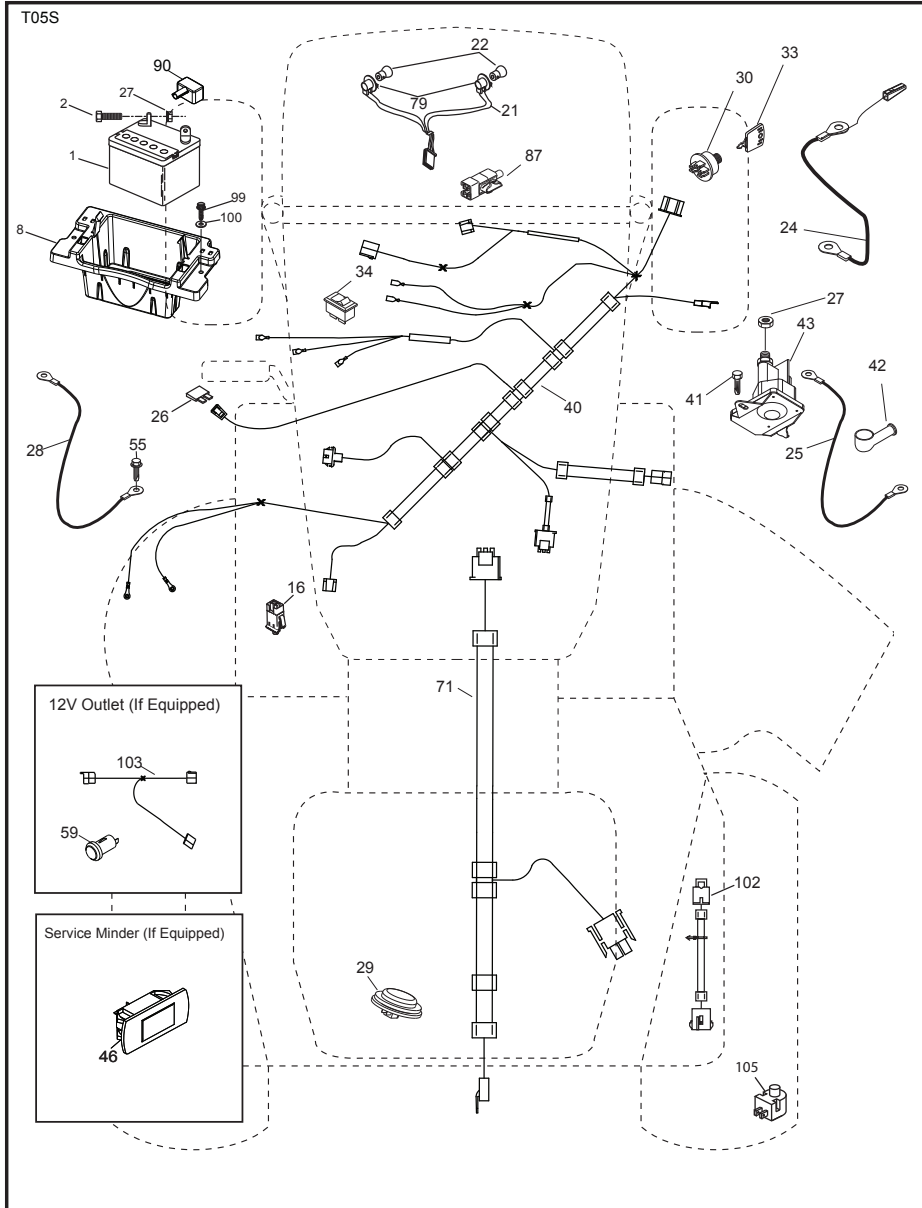
DASH HARNESS CONNECTOR (MATING SIDE)

WIRING INSULATED CLIPS NOTE: IF WIRING INSULATED CLIPS WERE REMOVED FOR SERVICING OF UNIT, THEY SHOULD BE RE-INSTALLED TO PROPERLY SECURE YOUR WIRING.



TRACTOR -- MODEL NUMBER 917.255840

ELECTRICAL



TRACTOR -- MODEL NUMBER 917.255840

BRIGGS & STRATTON ENGINE-MODEL NUMBER 33R877, TYPE NUMBER 0021-G1

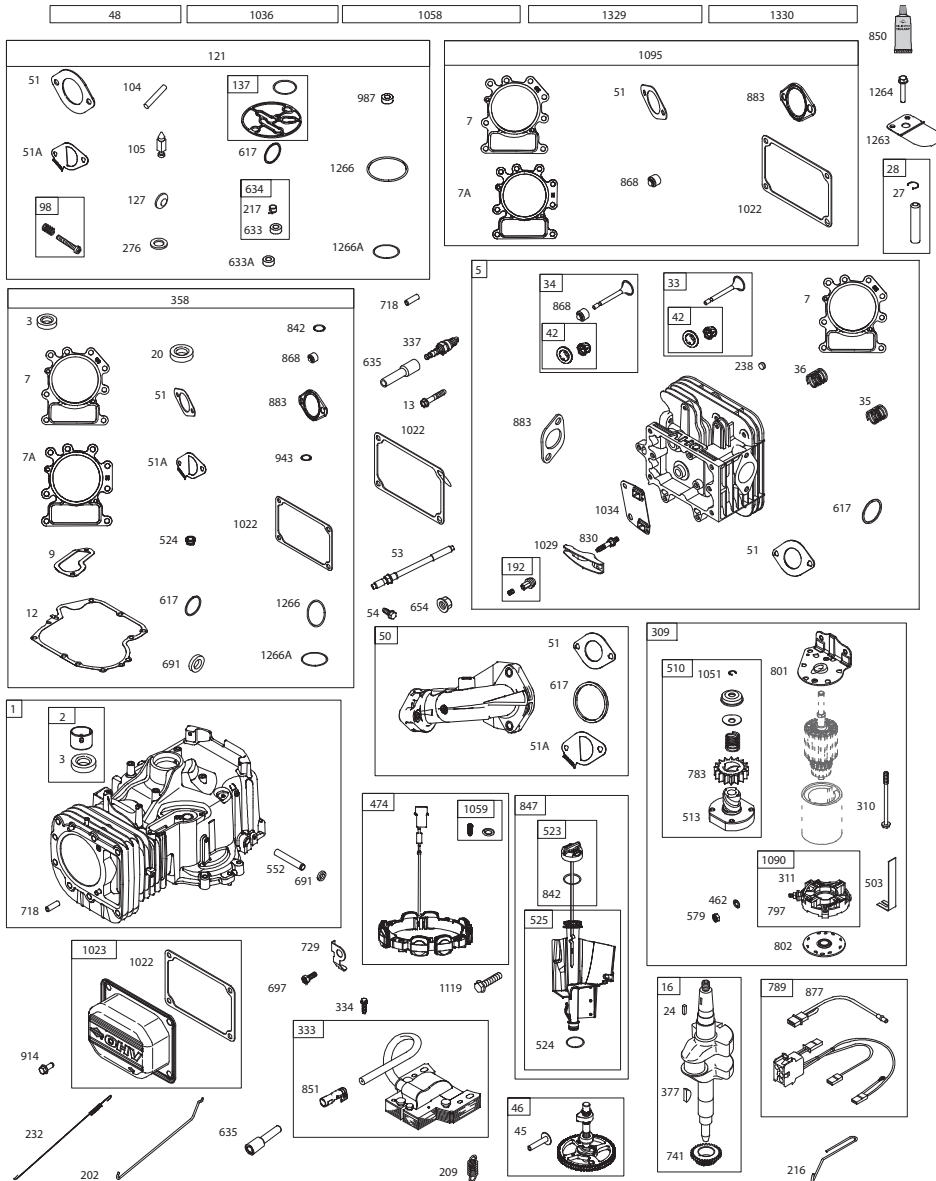


TRACTOR - - MODEL NUMBER 917.255840

BRIGGS & STRATTON ENGINE-MODEL NUMBER 33R877, TYPE NUMBER 0021-G1

ELECTRICAL

TRACTOR - - MODEL NUMBER 917.255840

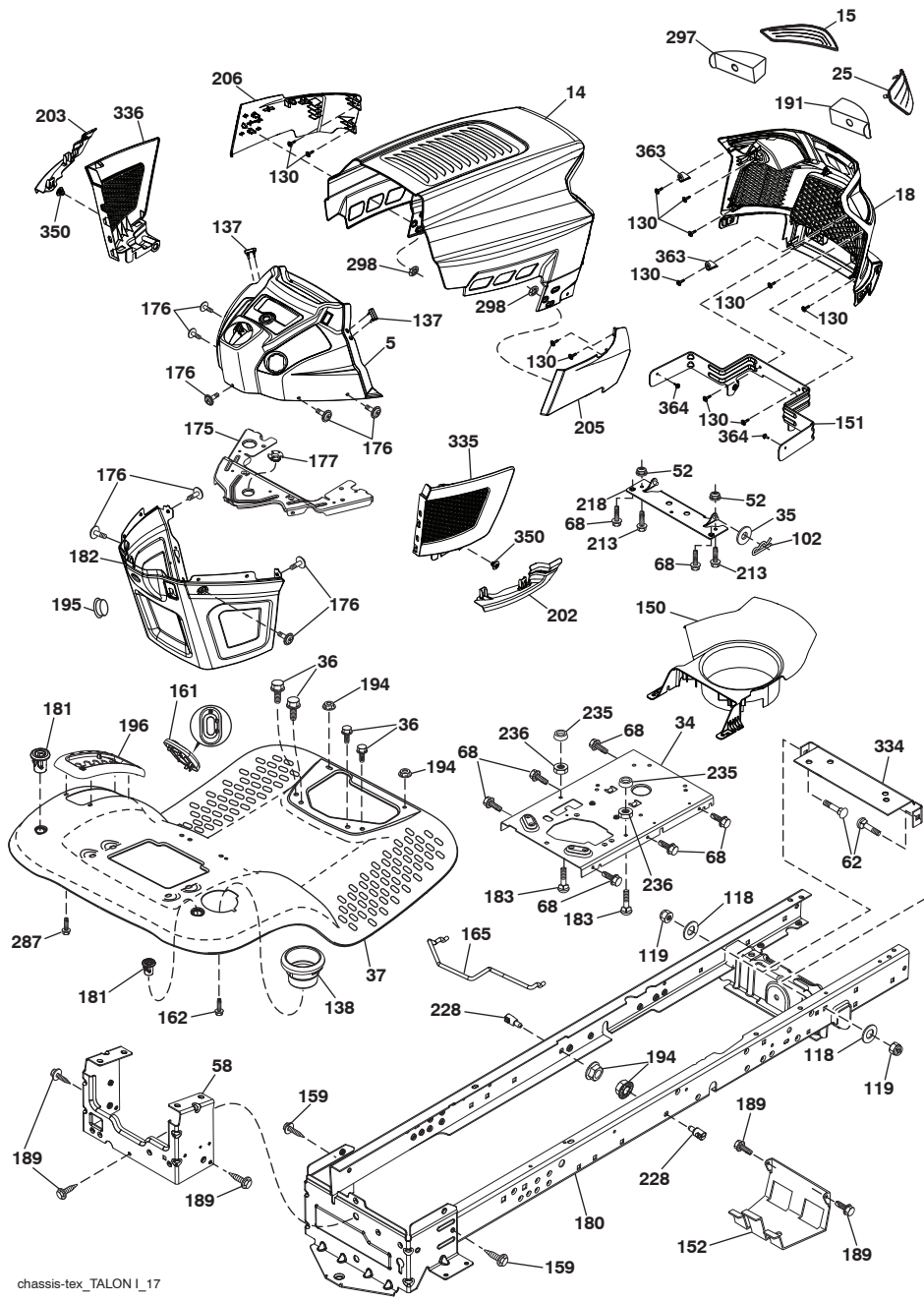


KEY PART

NO.	NO.	DESCRIPTION
1	163465	Battery
2	74760412	Bolt Hex Hd 1/4-20 unc x 3/4
8	586365701	Tray Battery
16	176138	Switch Interlock Push-In
21	400252	Harness Socket Light W/4152J
22	4152J	Bulb Light
24	585555601	Cable Battery
25	585555501	Cable Starter
26	175158	Fuse
27	73510400	Nut Keps Hex 1/4-20 unc
28	416588	Cable, Ground
29	401545	Switch, Seat
30	193350	Switch, Ign
33	411932	Key/Chain
34	110712X	Switch Light / Reset
40	501133001	Harness Ign. Dash
41	17720408	Screw thd Cut 1/4-20 x 1/2
42	131563	Cover Terminal
43	192507	Solenoid
55	17060512	Screw Thdrol 5/16-18 x 3/4 TYTT
71	501133701	Harness Ign. Chassis
79	175242	Bulbholder Asm. Incan Descent
87	197802	Switch Interlock Clutch Cable
90	435395	Cover Terminal Battery
99	17670412	Screw 1/4-20 x 3/4
100	19091416	Washer 9/32 x 7/8 x 16 Ga.
102	581023401	Harness Pigtail
105	407568	Switch Reverse

NOTE: All component dimensions given in U.S. inches
1 inch = 25.4 mm

TRACTOR - - MODEL NUMBER 917.255840
CHASSIS ASSEMBLY



chassis-tex_TALON I_17

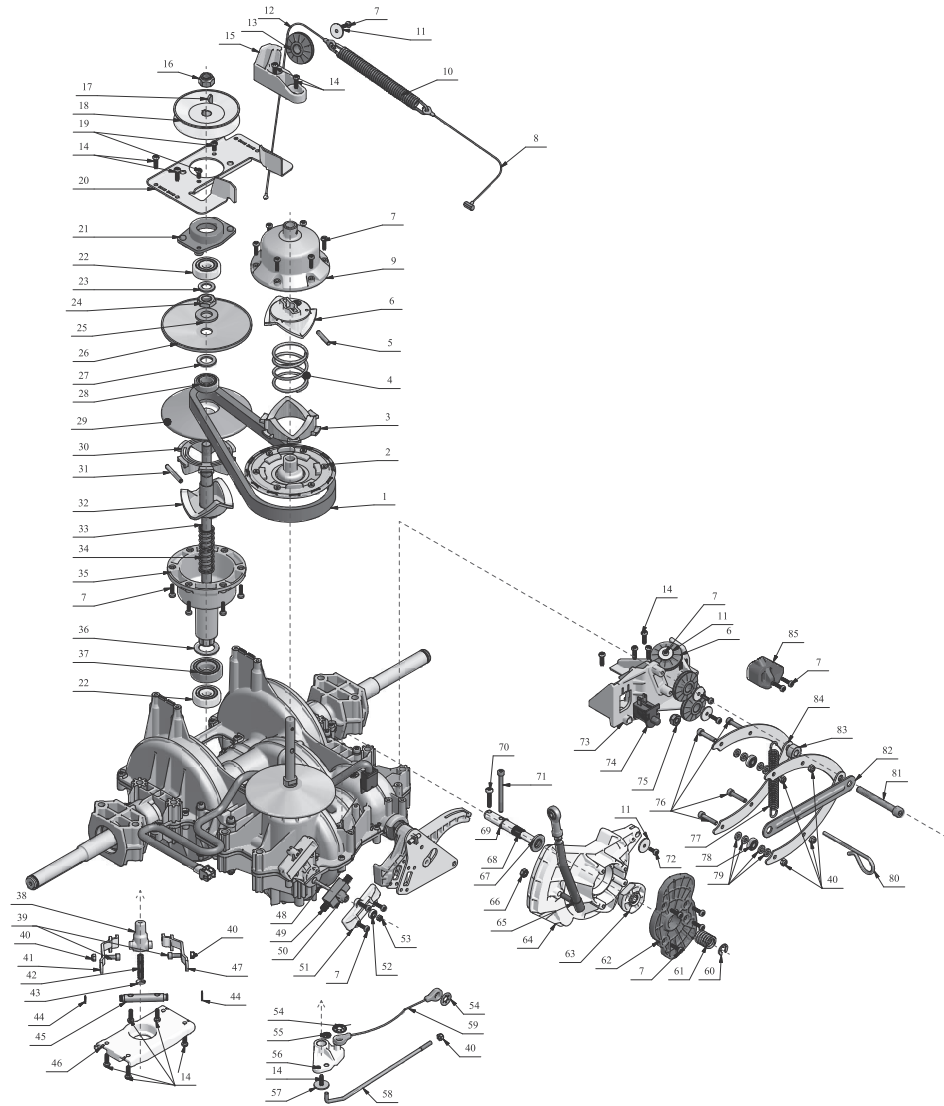
TRACTOR - - MODEL NUMBER 917.255840
GENTRANS VATR TRANSAXLE

KEY NO.	PART NO.	DESCRIPTION	KEY NO.	PART NO.	DESCRIPTION
1	426740	Belt	45	426789	Axle
2	426739	Flange	46	426788	Inferior plate
3	426738	Ramp	47	426787	Lever
4	426737	Spring	48	426786	Screw M4 (0.7Nm)
5	426736	Pin	49	426785	Spring
6	426735	Fixed ramp	50	426784	Inversion axle
7	426734	Screw 4x16 (torque 2.2Nm)	51	426783	Cover
8	426733	Cable	52	426782	Ball bearing 604.2RS
9	426732	Cap	53	426781	Nut M4
10	426731	Spring	54	426780	Starlock Ø8
11	426730	Washer	55	426779	Starlock Ø4
12	426729	Cable	56	426778	Lever
13	426728	Cable sheave	57	426777	Washer 5x20x1
14	426727	Screw 5x16 (torque 2.2Nm)	58	426776	Rod
15	426726	Support 1 sheave	59	426775	Cable
16	426725	Nut M12	60	426774	Clip
17	426724	Key 4x6.5	61	426773	Spring
18	426723	Pulley	62	426772	Cam
19	426722	Screw 5x10 (torque 2.2Nm)	63	426771	Cone
20	426721	Superior plate	64	426770	Cam
21	426720	Bushing	65	426769	Rod
22	426710	Ball bearing 6301.2RS	66	426768	Nut 1/4" (5Nm)
23	426709	Washer 13x22x1.5	67	426767	Washer 13x24x2,5
24	426708	Screw M14x1.5	68	426766	Axle
25	426707	Washer 15.1x29.5x3	69	426765	Clip 12x1
26	426706	Flange Ø15.1	70	426763	Screw 5x25 (Torque 3.3Nm)
27	426704	Washer 15.7x25.3x2	71	426764	Screw M5x60 (Torque 3.3Nm)
28	426703	Ball bearing 6002.2RS	72	426762	Screw 4x10 (Torque 2.2Nm)
29	426702	Flange Ø17.7	73	426761	Support
30	426701	Mobile ramp 40°	74	426758	Switch
31	426700	Pin 5x40	75	426756	Nut M8
32	426699	Fixed ramp 40°	76	426755	Screw M5x25 (Torque 2.2Nm)
33	426698	Variator shaft	77	426754	Spring
34	426697	Variator Spring	78	426753	Ball bearing 625 2RS
35	426696	Cap	79	426752	Washer 5.3x10x1.7
36	426693	Washer 21x33x1.5	80	426751	Pin Ø4
37	426692	Ball bearing 6004 2RS	81	426750	Screw M8x70 (1.1m)
38	426691	Cable hook	82	426749	Plate
39	426690	Screw M5x12	83	426748	Spacer
40	426689	Nut M5	84	426747	Jaws
41	426687	Lever	85	426746	Snap-in
42	426686	Spring			
43	426791	Washer 3x11.7x2			
44	426790	Clips 8x0.8			

NOTE: All component dimensions given in U.S. inches
 1 inch = 25.4 mm

TRACTOR - - MODEL NUMBER 917.255840

GENTRANS VATR TRANSAXLE



TRACTOR - - MODEL NUMBER 917.255840
CHASSIS ASSEMBLY

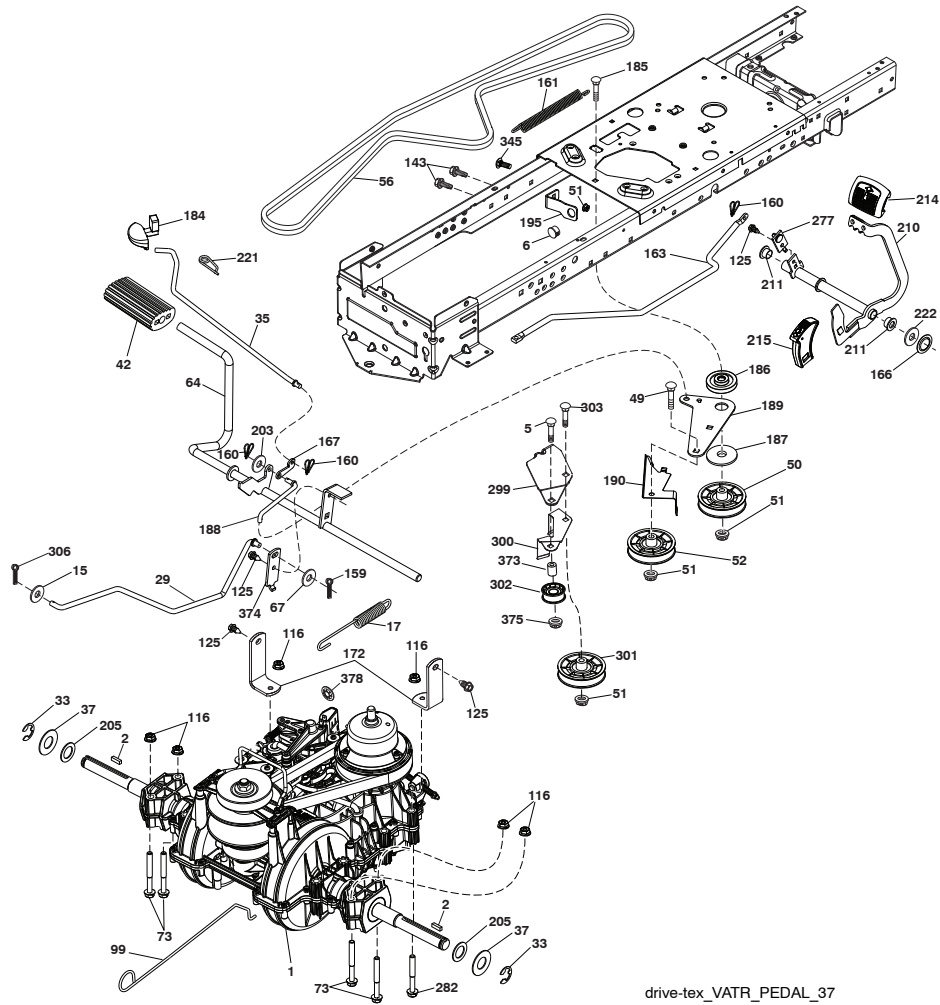
KEY PART
NO. NO.

DESCRIPTION

5	580485903	Dash
14	580354403	Hood
15	580485601	Lens LH
18	580485302	Grille
25	580484501	Lens RH
34	580910801	Plate engine
35	19111116	Washer 11/32 x 11/16 x 16 Ga.
36	17060512	Screw 5/16-18 x 3/4
37	414878X615	Fender
52	73680500	Nut Crown lock 5/16-18
58	412280	Drawbar Upper
62	72110608	Bolt 3/8-16 x 1 Gr. 5
68	17490508	Screw Thdrol 5/16-18 x 1/2
102	4497H	Retainer Spring 1"
118	19131316	Washer 13/32 x 13/16 x 16 Ga.
119	73680600	Nut Crownlock 3/8-16
130	416358	Screw # 10 x .750 BOS Thread
137	407590	Bumper Dash
138	193224X428	Cupholder
150	580485503	Duct Heat Hood
151	580663302	Bracket Pivot
152	199535	Shield Browning/Debris
159	17000612	Screw Hexwsh Thdrol 3/8-16 x 3/4
161	193229X428	Fuel Window
162	142432	Screw Hex Wsh Hi-Lo 1/4 x 1/2
165	196826	Support Tank Rear
175	196304	Crossmember
176	400776	Screw 10-24 x 5/8 Wshd Qdrx
177	195228	Bushing Steering
180	415063	Chassis
181	193102X428	Bushing Mtg. Fender Crgo.
182	586738602	Dash Lower
183	74520520	Bolt 5/16-18 x 1-1/4
189	17000512	Screw 5/16-18 x 3/4
191	580485101	Mylar Headlight/Reflective LensRH
194	73900500	Nut Lock Hex Flange 5/16-18
195	401556X428	Plug Hole Dash 12V Adapter
196	414579	Console Asm. Deck Lift
202	580485001	C-Closeout Lwr Trm RH
203	580484801	C-Closeout Lwr Trm LH
205	580843706	Assembly Corner RH
206	580843806	Assembly Corner LH
213	74760512	Bolt hex HD 5/16-18 unc x 3/4
218	580897301	Pivot Hood Assy
228	195161	Stud Fastener
235	406129	Spacer Fender
236	73930500	Nut Center Lock 5/16-18
287	17600406	Screw Hex Washead 1/4-20 x 3/8
297	580484901	Mylar Headlight/Reflective Lens LH
298	580851001	Nut Push
334	442537	Bracket Engine Plate
335	580484602	C-Side Closeout RH
336	580484402	C-Side Closeout LH
350	445143	Clip X-Mass Tree
363	580724501	Cap Talon Grille
364	17060408	Screw
- - -	404951X428	Plug Dash SRVMNDR

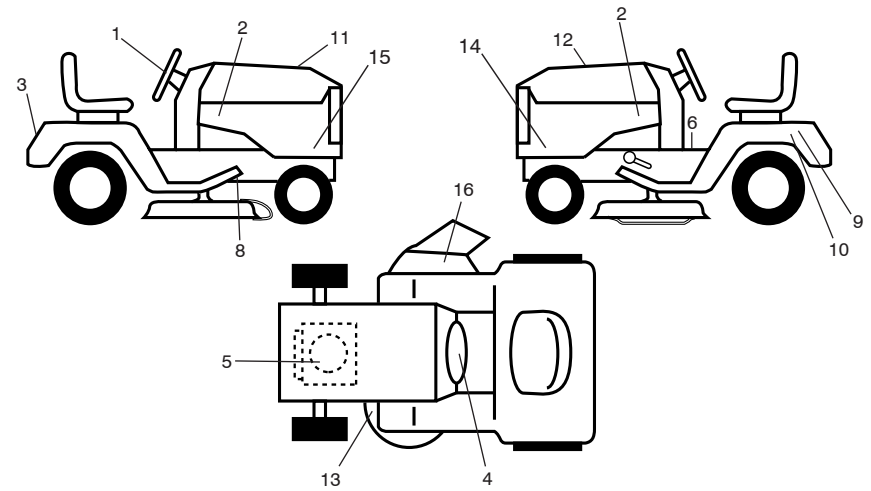
NOTE: All component dimensions given in U.S. inches
1 inch = 25.4 mm

TRACTOR -- MODEL NUMBER 917.255840
GROUND DRIVE



drive-tex_VATR_PEDAL_37

TRACTOR -- MODEL NUMBER 917.255840
DECALS



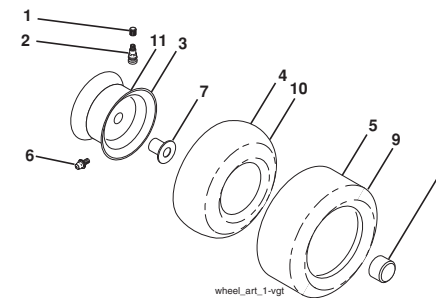
KEY PART NO. NO.

KEY PART NO. NO.	DESCRIPTION
1	581894601 Decal, Steering
2	585767601 Decal, Hood LH/RH
3	587390201 Decal, Fender
4	424102 Decal, Warning
5	585722401 Decal, Engine HP
6	581578801 Decal, Fender Operator's
8	421534 Decal, V-Belt Schematic Drive
9	434996 Decal, Battery Dnge/Poi
10	434995 Decal, Battery
11	588127501 Decal, Replacement
12	585571401 Decal, Customer Maint.
13	581580001 Decal, Mower V-Belt SCH.

KEY PART NO. NO.

KEY PART NO. NO.	DESCRIPTION
14	586207502 Decal, Sideskirt LH
15	586207501 Decal, Sideskirt RH
16	584904601 Decal, Deck/Deflect Warning
--	193226X428 Pad, Footrest LH
--	400981X428 Pad, Footrest RH
--	581724801 Decal, Bypass
--	115793227 Manual, Operator's (English/Spanish)
--	115793226 Manual, Parts
--	588799624 Manual, Quick Start Guide (English/Spanish)

WHEELS & TIRES



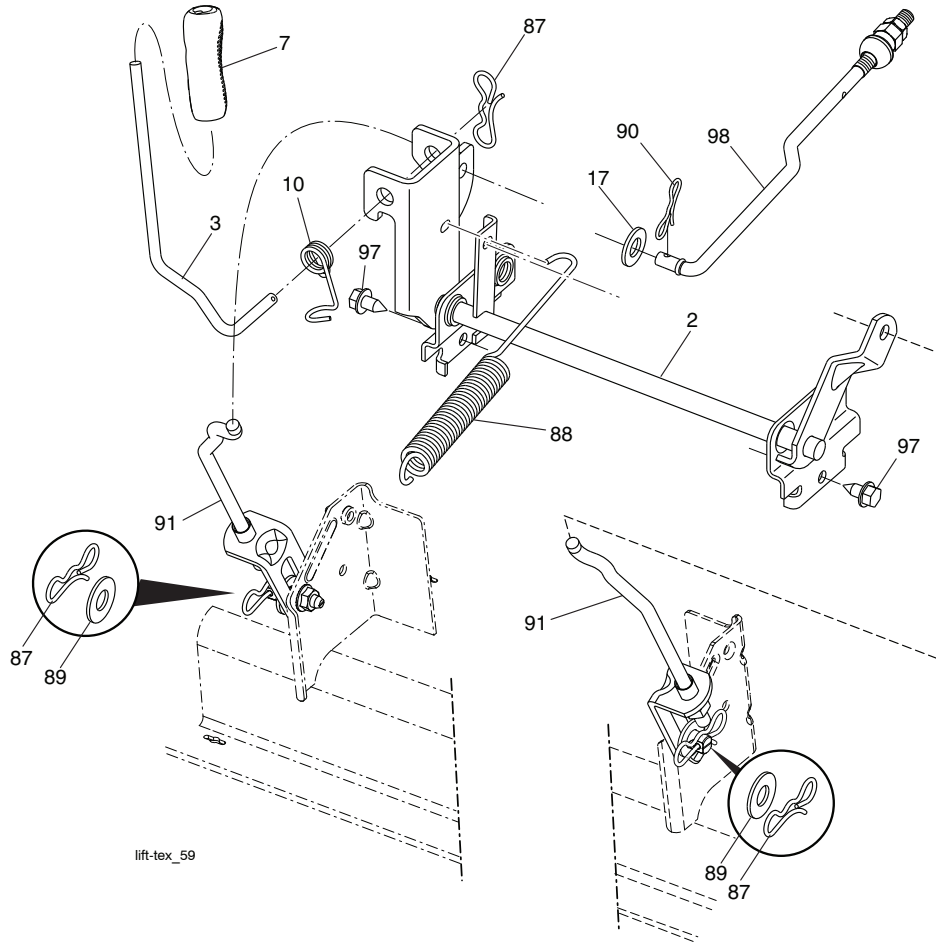
wheel_art_1-vgt

KEY PART NO. NO.

KEY PART NO. NO.	DESCRIPTION
1	59192 Cap, Valve, Tire
2	65139 Stem, Valve
3	106732X613 Rim Assembly, Front
4	59904 Tube, Front
5	106222X Tire, Front 15 x 6-6
6	278H Fitting, Grease
7	9040H Bearing, Flange
8	104757X428 Cap, Axle
9	138468 Tire, Rear 20 x 8-8
10	7152J Tube, Rear
11	106108X613 Rim Assembly, Rear
--	144334 Sealant, Tire (10 oz. Tube)

NOTE: All component dimensions given in U.S. inches
 1 inch = 25.4 mm

TRACTOR - - MODEL NUMBER 917.255840
LIFT ASSEMBLY



KEY PART NO. NO.	DESCRIPTION
2 422027	Shaft Asm., Lift
3 195231	Lever Asm., Lift Rh
7 445060X428	Grip, Lever
10 196314	Spring Torsion
17 19131312	Washer 13/32 x 13/16 x 12 Ga.
87 194209	Pin Cotter 7/16 Bow Tie Lock
88 410710	Spring Lift Assist
89 19191912	Washer Clear Zinc

KEY PART NO. NO.	DESCRIPTION
90 194208	Pin Cotter 5/16 Bow Tie Lock
91 197984	Link Lift Susp Mower Rear
97 17000612	Screw 3/8-16 x .75
98 420525	Link Lift Susp. Front Mower

NOTE: All component dimensions given in U.S. inches
 1 inch = 25.4 mm

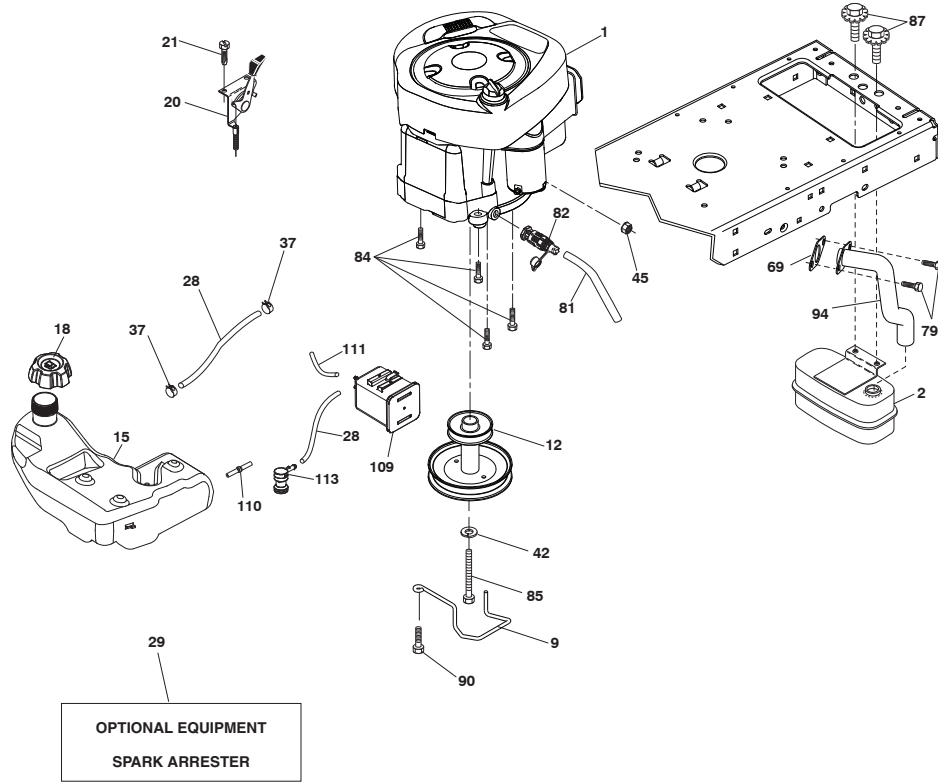
TRACTOR - - MODEL NUMBER 917.255840
GROUND DRIVE

KEY PART NO. NO.	DESCRIPTION	KEY PART NO. NO.	DESCRIPTION
1	Transmission, Variator SD Pedal (584973901) (See transaxle breakdown.)	186 194321	Spacer Retainer
2 123583X	Key Square	187 19133210	Washer 13/32 x 2 x 10 Ga.
5 74760636	Bolt Hex HS 3/8-16 unc	188 194323	Link Clutch Ground Drive
6 124028X	Bushing Snap	189 194317	Bellcrank Groundrive Nstg/Nstl
15 19131316	Washer 13/32 x 13/16 x 16 Ga.	190 194318	Keeper Bellcrank Drive Ground
17 501487101	Spring Brake	195 581504601	Brake Bracket
29 584823101	Rod Brake	203 19111116	Washer 11/32 x 11/16 x 16 Ga.
33 12000001	E-Ring	205 121748X	Washer 25/32 x 1-5/8 x 16 Ga.
35 583864501	Rod Brake Parking	210 588921001	Weldment Pedal
37 188967	Washer Harden .793 x 1.637 x 060	211 120183X	Bearing Nylon
42 8833R	Cover Pedal Blk Round	213 196441X428	Knob Control Cruise
49 72110614	Bolt Rdhd 3/8-16unc x1-3/4 Gr.5	214 421263	Pedal Forward Pad
50 194327	Idler.Flat	215 448254	Cap Pedal Reverse
51 73900600	Nut Hex Flangelock 3/8-16	221 403187	Retainer Spring Clip Handle
52 194326	Idler V-Groove Offset	222 79212010	Washer 21/32 x 1-1/4 10 Ga.
56 197253	Belt Drive	282 74490548	Screw Thdrol 5/16-18 x 3
64 448353	Shaft Asm. Pedal Brake	299 415683	Bracket Mount Idler
67 19131312	Washer 13/32 x 13/16 x 12 Ga.	300 415681	Keeper Idler Rear
73 74490544	Bolt Hex Flghd 5/16-18 Gr. 5	301 415680	Pulley Idler V-Groove
99 435935	Rod Bypass	302 581420501	Pulley Idler Flat 2.0 Od
116 73900500	Nut Lock Hex Flange 5/16-18 unc	303 72110618	Bolt Rdhd Sgnk 3/8-16 x 2-1/4
125 17000512	Screw 5/16-18 x 3/4 Smgml Tap/Bl	306 76020416	Cotter Pin
143 17490508	Screw Thdrol 5/16-18 x 1/2 Tytt	345 721106-06	Bolt Rdhd Sgnk 3/8-16 x 1 Gr. 5
160 169484	Retainer Clip(M) Dia. 290	373 581461801	Spacer Idler
161 105709X	Spring Return Clutch 6.75	374 581475201	Bracket Brake Arm
163 587847902	Rod Control Pedal	375 73680000	Nut Crownlock 3/8-16 unc
166 429164	Nut Push .625	378 584287701	Nut Push 8 mm
167 405257	Latch Brake Parking		
172 583974201	Strap Torque LH/RH		
184 196439X428	Handle Parking Brake		
185 72110622	Bolt Rdhd 3/8-16 unc x 2-3/4 Gr.5		

NOTE: All component dimensions given in U.S. inches
 1 inch = 25.4 mm

ENGINE

TRACTOR - - MODEL NUMBER 917.255840



engine-tex_BS_48

MOWER DECK

TRACTOR - - MODEL NUMBER 917.255840

KEY PART NO. NO.

DESCRIPTION

1	448126X615	Mower Housing
2	405507	Cover Mandrel LH
3	405506	Cover Mandrel RH
4	74760512	Bolt Hex
6	195186	Arm Suspension
7	416358	Screw 10 x .750 BOS Thread
11	405380	Blade Mower
--	403107	Blade Mulching
12	584309301	Screw Sems 7/16-20 x 1 Hex Head
13	587256501	Shaft Assembly, Mandrel
14	187281	Housing, Mandrel
15	585323901	Bearing, Mandrel
19	196539	Bolt, Shoulder
21	73680500	Nut
23	192557	Bracket, Deflector
24	105304X	Cap, Sleeve
25	197026	Spring, Torsion, Deflector
26	110452X	Nut, Push
27	405357	Shield, Deflector
29	131491	Rod, Hinge
32	197473	Pulley, Mandrel
33	400234	Nut, Toplock, Flanged
34	72110612	Bolt Carr Sh. 3/8-16 x 1-1/2 Gr. 5
36	197379	Pulley Idler
37	19131316	Washer 13/32 x 13/16 x 16 Ga.
38	432520	Keeper Belt LH Mandrel
40	73900600	Nut, Lock Flg. 3/8-16 unc
41	584953901	Bolt 313-18 x 1.19
42	198410	Spring Trosion Brake
43	197256	Spring Torsion Retainer
46	137729	Screw
47	197250	Bracket Clutch Cable
55	197249	Arm, Idler
56	199092	Spacer, Retainer
57	17000616	Screw Hexwsh Thd 3/8-16 x 1
59	141043	Guard, Tuv Idler (94)
60	199471	Arm Brake Mower

KEY PART NO. NO.

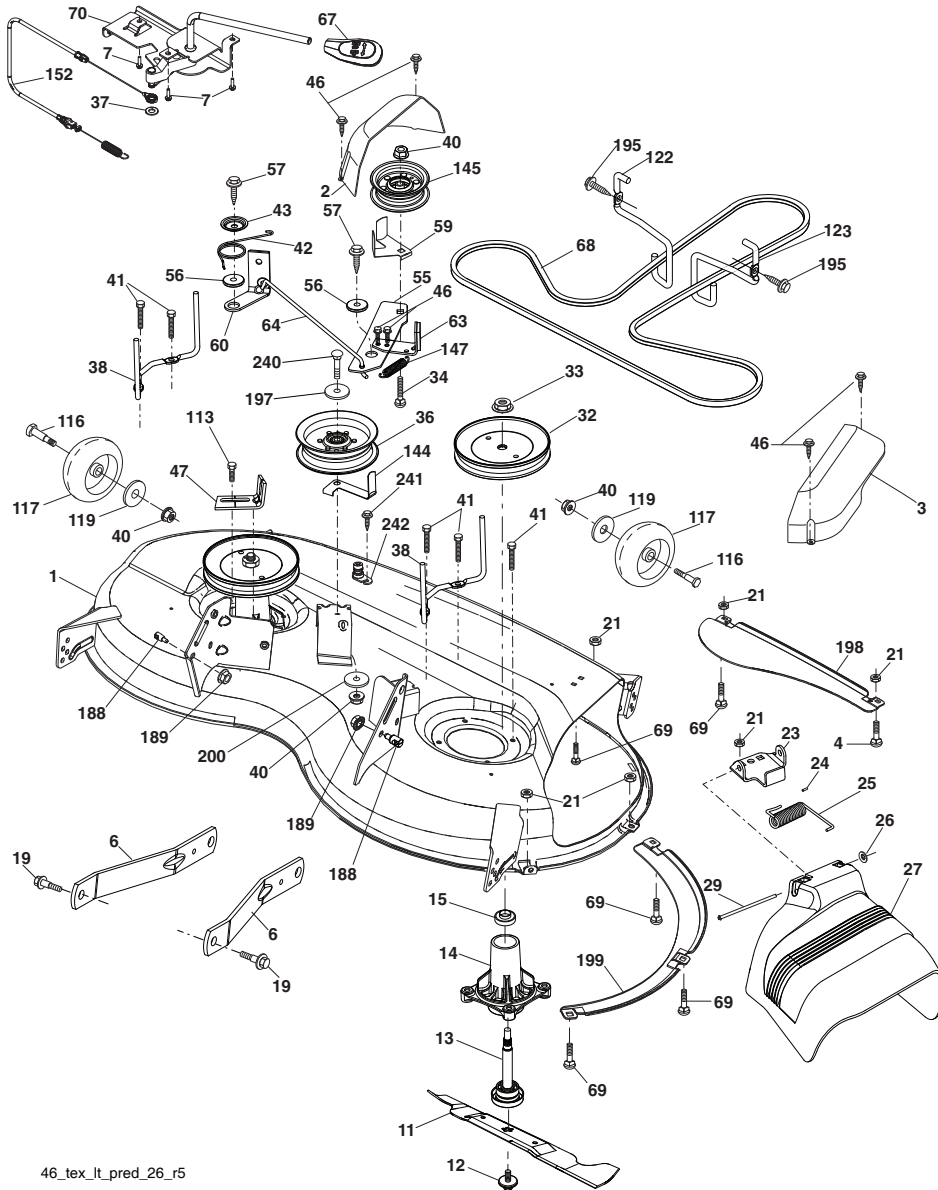
DESCRIPTION

63	199477	Arm Brake Mower
64	405138	Linkage Brake
67	198398X667	Handle, Clutch Cable
68	405143	V-Belt
69	72140505	Bolt
70	199972	Clutch Asm. Manual
113	17000510	Screw 5/16-18
116	4898H	Bolt, Shoulder
117	188606	Wheel, Gauge
119	19121414	Washer 13/32 x 7/8 x 14 Ga.
122	197258	Keeper Belt Eng. LH
123	197259	Keeper Belt Eng. RH
144	199204	Keeper Belt
145	193197	Pulley, Idler, Flat
147	401872	Spring Return Deck
152	584243501	Cable Clutch Manual w/Spr.
188	195161	Stud Fastener
189	73900500	Nut Lock Hex Flange
195	17000612	Screw 3/8-16 x 3/4
197	19131312	Washer 13/32 x 13/16 x 12 Ga.
198	403149	Baffle Center Front
199	403150	Baffle Front RH
200	413524	Washer
240	74520636	Bolt Fin Hex 3/8-16 x 2-1/4 Gr. 5
241	152927	Screw
242	415598	Washout Port
--	416405	Quick Connect Coupling
--	587253301	Mandrel Assembly (Includes housing (Key #14), shaft assembly (Key #13), and bearing only (Key #15) - pulley/nut/washer and blade bolt/washers not included)
--	432250	Replacement Mower, Complete

NOTE: All component dimensions given in U.S. inches
1 inch = 25.4 mm

TRACTOR - - MODEL NUMBER 917.255840

MOWER DECK



46_tex_lt_pred_26_r5

TRACTOR - - MODEL NUMBER 917.255840

ENGINE

KEY PART NO. NO.

DESCRIPTION

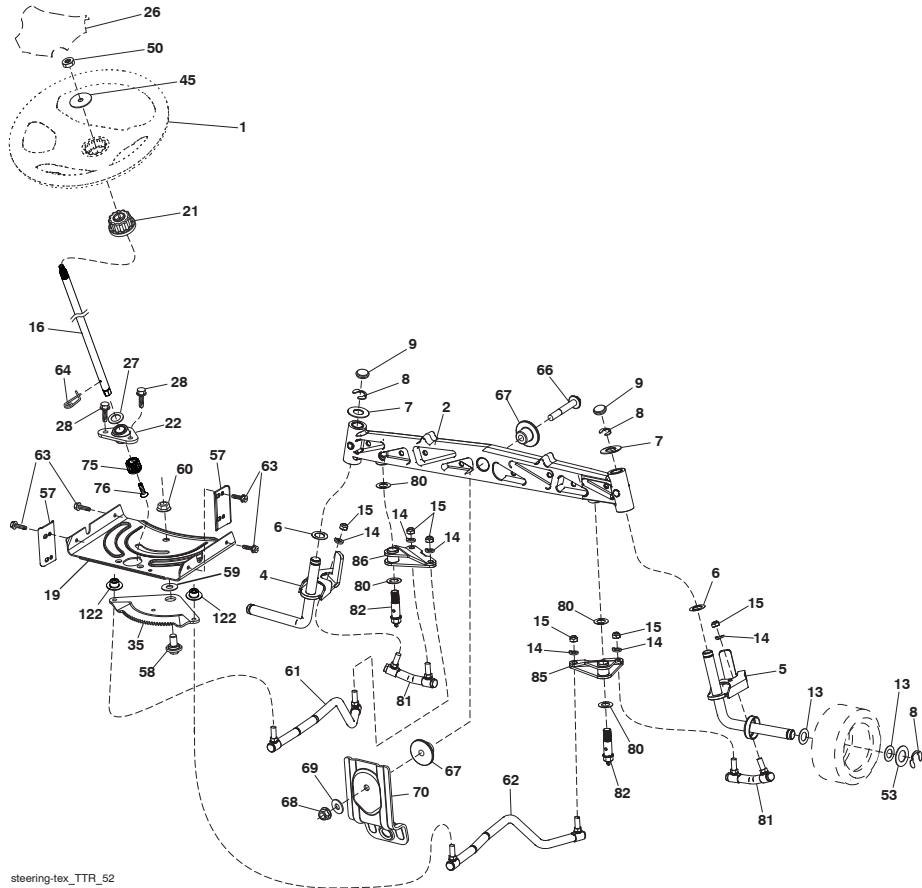
1	---	Engine B&S Model No. 33R877-0021-G1 (588158801)(See engine breakdown.)
2	580532301	Muffler
9	584911602	Keeper Belt Engine
12	405140	Pulley Engine
15	420722	Tank Fuel
18	585124802	Cap Fuel
20	176636X428	Control Throttle/Choke
21	416358	Screw 10 x .750 BOS Thread
28	401137	Fuel Line
29	137180	Spark Arrester Kit
37	123487X	Clamp Hose
42	10040700	Washer Lock 7/16
45	73510400	Nut Keps Hex 1/4-20 unc
69	165291	Gasket
79	192334	Screw 5/16-18 x .75
81	148456	Tube Drain Oil Easy
82	428287	Valve Oil Drain
84	17060620	Screw 3/8-16 x 1-1/4
85	173937	Bolt Hex 7/16-20 x 4 x Gr. 5-1.5
87	171877	Bolt 5/16-18 unc x 3/4 w/Sems
90	17000616	Screw 3/8-16 x 1.0
94	581880901	Exhaust Tube
109	414114	Canister Carbon
110	414118	Valve Asm. Anti-Slosh
111	414119	Purge Line
113	414127	Valve Slant Cartridge

NOTE: All component dimensions given in U.S. inches
1 inch = 25.4 mm

Engine Power Rating Information

The gross power rating for individual gas engine models is labeled in accordance with SAE (Society of Automotive Engineers) code J1940 (Small Engine Power & Torque Rating Procedure), and rating performance has been obtained and corrected in accordance with SAE J1995 (Revision 2002-05). Torque values are derived at 3060 RPM; horsepower values are derived at 3600 RPM. Actual gross engine power will be lower and is affected by, among other things, ambient operating conditions and engine-to-engine variability. Given both the wide array of products on which engines are placed and the variety of environmental issues applicable to operating the equipment, the gas engine will not develop the rated gross power when used in a given piece of power equipment (actual "on-site" or net power). This difference is due to a variety of factors including, but not limited to, accessories (air cleaner, exhaust, charging, cooling, carburetor, fuel pump, etc.), application limitations, ambient operating conditions (temperature, humidity, altitude), and engine-to-engine variability. Due to manufacturing and capacity limitations, Briggs & Stratton may substitute an engine of higher rated power for this Series engine.

TRACTOR - - MODEL NUMBER 917.255840
STEERING ASSEMBLY



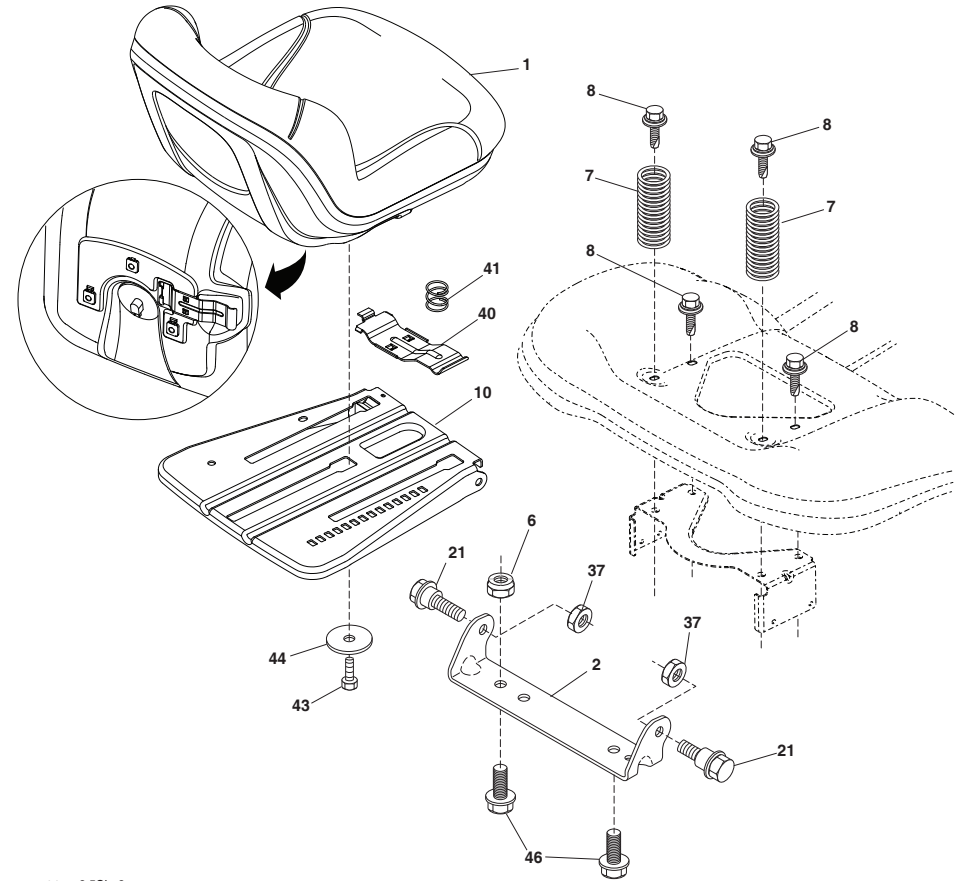
steering-tex_TTR_52

KEY PART NO.	NO.	DESCRIPTION
1	414803X428	Wheel, Steering
2	436870	Axle Asm., Front
4	436873	Spindle Asm., LH
5	436874	Spindle Asm., RH
6	6266H	Washer Thrust 0.75 x 1.23
7	121748X	Washer 25/32 x 1-5/8 x 16 Ga.
8	12000029	Ring, Clip #T5304-75
9	184946X667	Cap, Spindle
13	121749X	Washer 25/32 x 1-1/4 x 16 Ga.
14	10040600	Washer Lock 3/8
15	73540600	Nut, Crown Lock 3/8-24 unf
16	587016002	Shaft Steering
19	194729	Plate Steering
21	586840201	Adapter, Wheel Steering
22	585029901	Bearing Asm.
26	414852X428	Insert, Wheel Steering
27	19211616	Washer
28	17000612	Screw 3/8-16 x 3/4
35	440770	Gear, Sector Plate
45	587016401	Washer
50	73900600	Nut
53	188967	WasherHardened.793x1.637x.060
57	407465	Bracket Upstpo

KEY PART NO.	NO.	DESCRIPTION
58	194747	Bolt Shoulder Sector Pivot CFM
59	194748	Washer Thrust Sector Steering
60	73971000	Nut Flange Lock 5/8-11
61	436884	Draglink, LH
62	436885	Draglink, RH
63	17000512	Screw 5/16-18 x 3/4
64	199849	Retainer Clip Spring Steering
66	71020748	Bolt Hex Fghd 7/16-14 x 3 Serr
67	194737	Bushing PM Front Axle
68	73900700	Nut Lock Flange 7/16-14 Gr. 5
69	199162	Washer 1.5 x .505 x .118
70	585338801	Bracket Deck Susp. Front
75	580683701	Pinion
76	580683601	Screw Head Sock.
80	1370H	Washer Thrust 5/8 x 1.10 x 1/32
81	436887	Link Cross RH
82	442147	Pivot bolt
85	441873	Pivot RH
86	441872	Pivot LH
122	444962	Cap Gear

NOTE: All component dimensions given in U.S. inches
 1 inch = 25.4 mm

TRACTOR - - MODEL NUMBER 917.255840
SEAT ASSEMBLY



seat-tex_6.5SL_9

KEY PART NO.	NO.	DESCRIPTION
1	423644	Seat
2	180166	Bracket Pivot Fender
6	73800600	Nut, Lock W/Ins. 3/8-16 unc
7	587613301	Spring, Seat Cprsn
8	171877	Bolt 5/16-18 unc x 3/4 w/Sems
10	196977	Pan, Seat
21	587907801	Bolt, Shoulder 5/16-18 x 5/8
37	73800500	Nut, Lock 5/16-18 unc
40	197661	Handle Slide Seat

KEY PART NO.	NO.	DESCRIPTION
41	198200	Spring Latch Seat
43	74760612	Bolt 3/8-16 x 3/4
44	19133812	Washer 13/32 x 2-3/8 x 12 Ga.
46	588090401	Bolt 3/8-16 x 1, 1 25 OD

NOTE: All component dimensions given in U.S. inches
 1 inch = 25.4 mm

Free Manuals Download Website

<http://myh66.com>

<http://usermanuals.us>

<http://www.somanuals.com>

<http://www.4manuals.cc>

<http://www.manual-lib.com>

<http://www.404manual.com>

<http://www.luxmanual.com>

<http://aubethermostatmanual.com>

Golf course search by state

<http://golfingnear.com>

Email search by domain

<http://emailbydomain.com>

Auto manuals search

<http://auto.somanuals.com>

TV manuals search

<http://tv.somanuals.com>